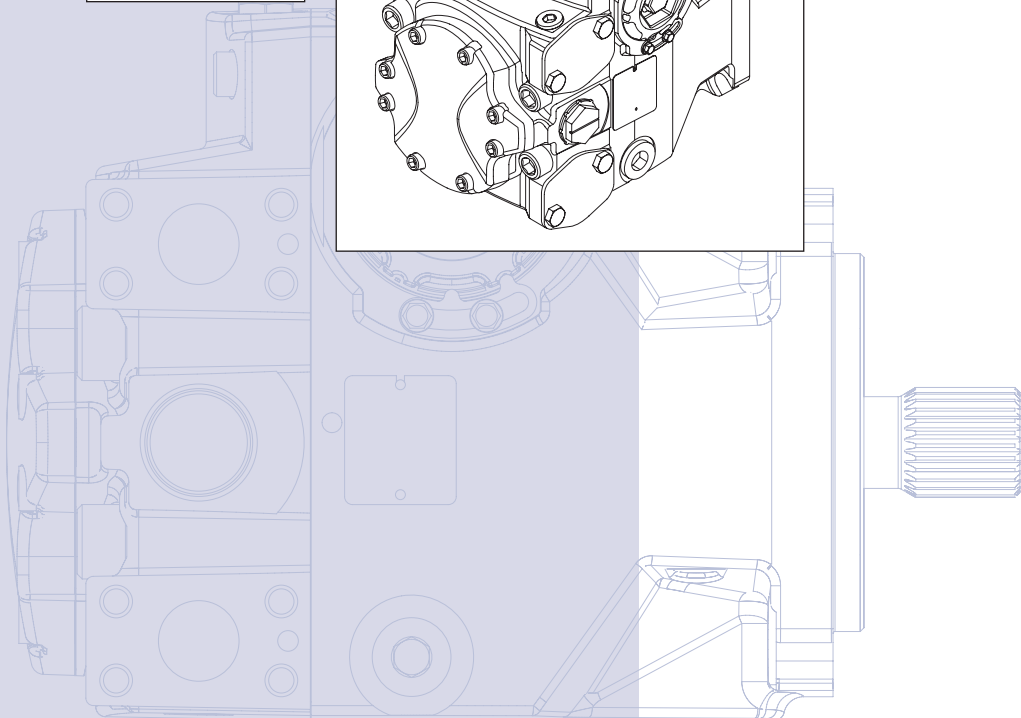
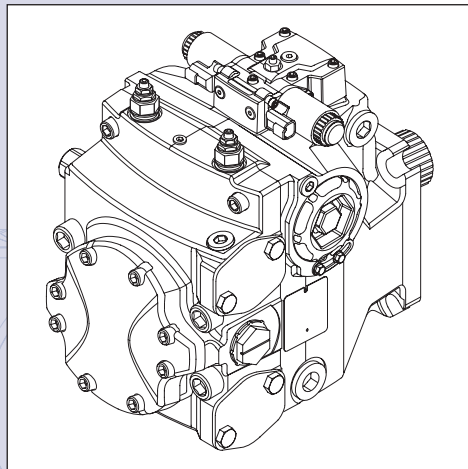
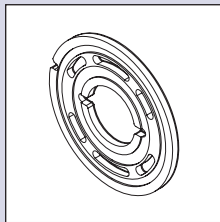
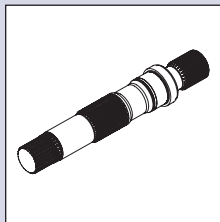
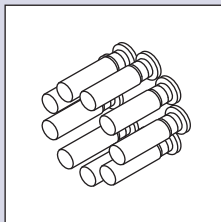


H1
147 & 165 cc
Closed Circuit
Axial Piston Pumps

Parts Manual





© 2008 Sauer-Danfoss. All rights reserved.

Sauer-Danfoss accepts no responsibility for possible errors in catalogs, brochures and other printed material. Sauer-Danfoss reserves the right to alter its products without prior notice. This also applies to products already ordered provided that such alterations aren't in conflict with agreed specifications. All trademarks in this material are properties of their respective owners.

Front cover illustrations: P100 609, P100 688, P100 689, P100 690



GENERAL INFORMATION	Service parts identification.....	4
	Nameplate	4
	Date code.....	5
	Service bulletins	5
	Procedure to identify a part	5
	Order code.....	7
VARIABLE DISPLACEMENT PUMP	Common parts	8-9
	Special hardware.....	8-9
	Control	10-15
	Displacement limitation	16-17
	Orifice	18-19
	End cap	18-31
	Housing	32-33
	Shaft.....	32-33
	Auxiliary mounting.....	34-37
	High pressure setting, port A.....	38-43
	High pressure setting, port B.....	44-49
	Charge pump.....	50-51
	Filtration	50-51
	Charge pressure setting.....	50-51
	ISL settings.....	52-53
	Overhaul seal kit.....	54
SERVICE BULLETINS	SB-2006-030 (control mounting screw)	55
	SB-2007-033 (control solenoid nut and screen locking ring).....	56
	SB-2007-052 (filtration pressure sensor).....	57
	SB-2008-014 (shaft seal)	58
	SB-2008-038 (rubber coated auxiliary pad cover).....	59



SERVICE PARTS IDENTIFICATION

The following information and procedure is used to identify the module group, item number, manufacture date, part number, and part name of the parts included in the H1, 147 and 165 cc variable displacement pumps.

The parts listed include all parts which may be used when performing either “Minor Repairs”, “Major Repairs” or “Conversions” on the H1, 147 and 165 cc pump.

NAMEPLATE

Each unit will have a nameplate affixed to the housing. The nameplate will include the following information.

Model Code

The Sauer-Danfoss model code completely defines the specific unit and must be used when ordering parts to service this product.

Model Number

The Sauer-Danfoss model number is used by the factory in manufacturing. On repeat orders, a complete unit can be ordered by the model number.

Serial Number

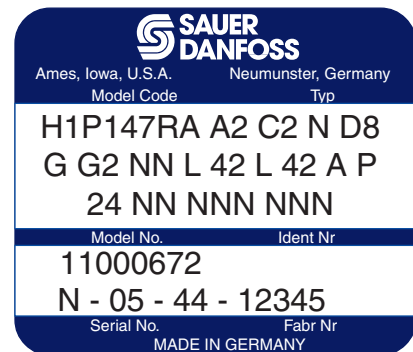
The Sauer-Danfoss serial number is used to identify the manufacture date and the unit sequence in the build. The serial number is also used to identify the units warranty time period.

The letter code indicates the location of original manufacture (assembly). “N” indicates the unit was originally assembled in Neumunster, Germany.

The first number (2 digits) indicates the year of manufacture. (“05” would indicate the unit was manufactured in 2005)

The second number (2 digits) indicates the calendar week of manufacture.

The third number (5 digits) is a sequential number used to identify a specific unit.



DATE CODE

The date code is defined as the year and week of manufacture. The same item number may list more than one part number. This indicates that there is more than one configuration for that item number. You will see that there are different date codes for the different part numbers. Find the date code of your unit from the nameplate to determine which service part number you need to order.

EXAMPLE: The service part desired is Item G30

Order Code	Item	Date Begin	Date End	Part Number	Part Name	Qty. per Model/Kit
80	G30	89-17		8000243	End cap gasket	1
	G30	87-02	89-16	8000151	End cap gasket (SB-1995-006)	1

All units using this order code with a date code of 87-02 and up to and including 89-16, must use part number "8000151". All units with a date code of 89-17 and newer must use part number "8000243".

SERVICE BULLETINS

A Service Bulletin Number (SB-____-____) may follow the "Part Name" of the part you desire. You must read that Service Bulletin prior to ordering that part. The information contained in these Service Bulletins, as of the print date of this bulletin, are included at the end of this manual. Service Bulletins contain more detailed information such as interchangeability, what additional parts are involved, etc. It is suggested that you add additional Service Bulletins to this manual as you receive them.

PROCEDURE TO IDENTIFY A PART

General

The modular design of H1 units results in a simplified service parts list and part number identification procedure.

The same item numbers are used for same part names on all units within a product type. (Example: The lip seal - Item J250 has the same item number on all pumps.)

A part number that has another number following it in parentheses is done to make this a world wide manual. The first number is sold in Germany. The number in parentheses is sold in the United States. (Example: 314583 (9008000-0118), customers would order 9008000-0118 if ordering the part in the United States.)

Example of a Part Identification

The nameplate on an H1 pump has an Order Code of H1P147RA A2 C2 N D8 G G2 NN L 42 L 42 A P 24 NN NNN NNN. Use the following procedures to determine the part number of the drive shaft used on this pump.

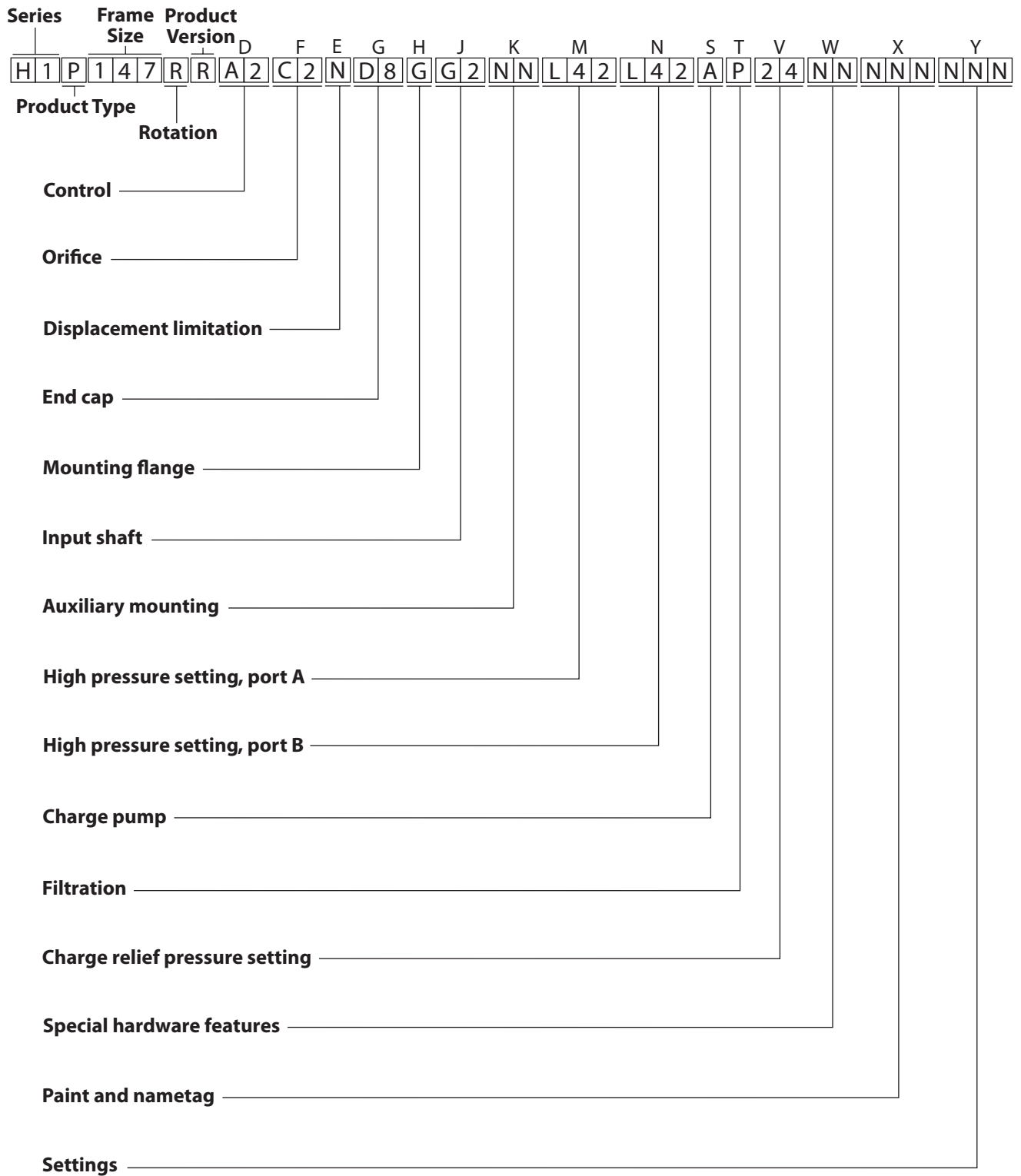
1) Referring to the input shaft module in the Order Code (see page 7), the input shaft option for this pump is identified by the code "G2". (H1P147RA A2 C2 N D8 G **G2** NN L 42 L 42 A P 24 NN NNN NNN)

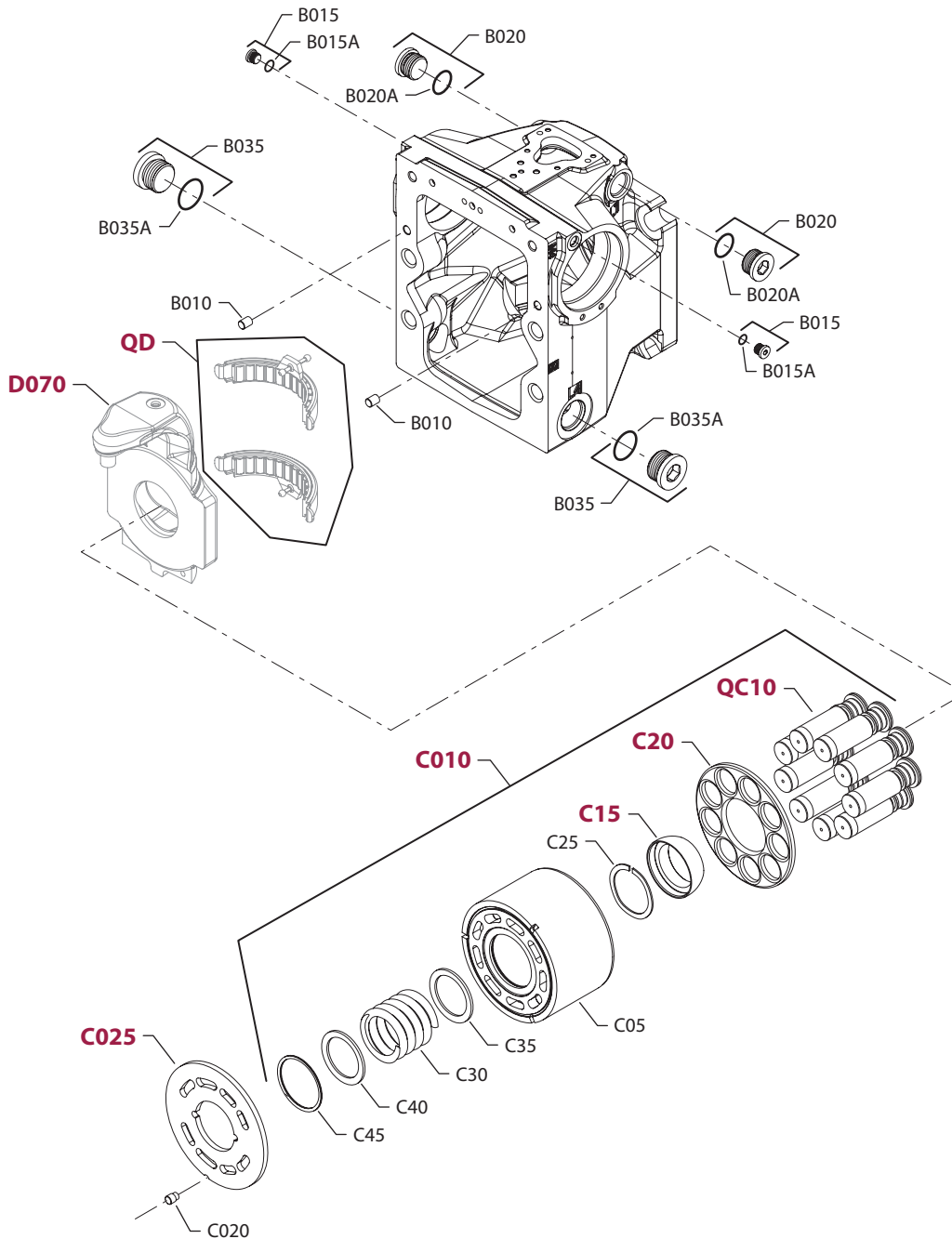
2) Referring to the Service Parts List, find the shaft group. Next find the order code that relates to this unit, which is "G2". The shaft is found to be item J100 and part number 140254.



H1 147 and 165 cc Axial Piston Pump
Parts Manual
Notes







E100 732E

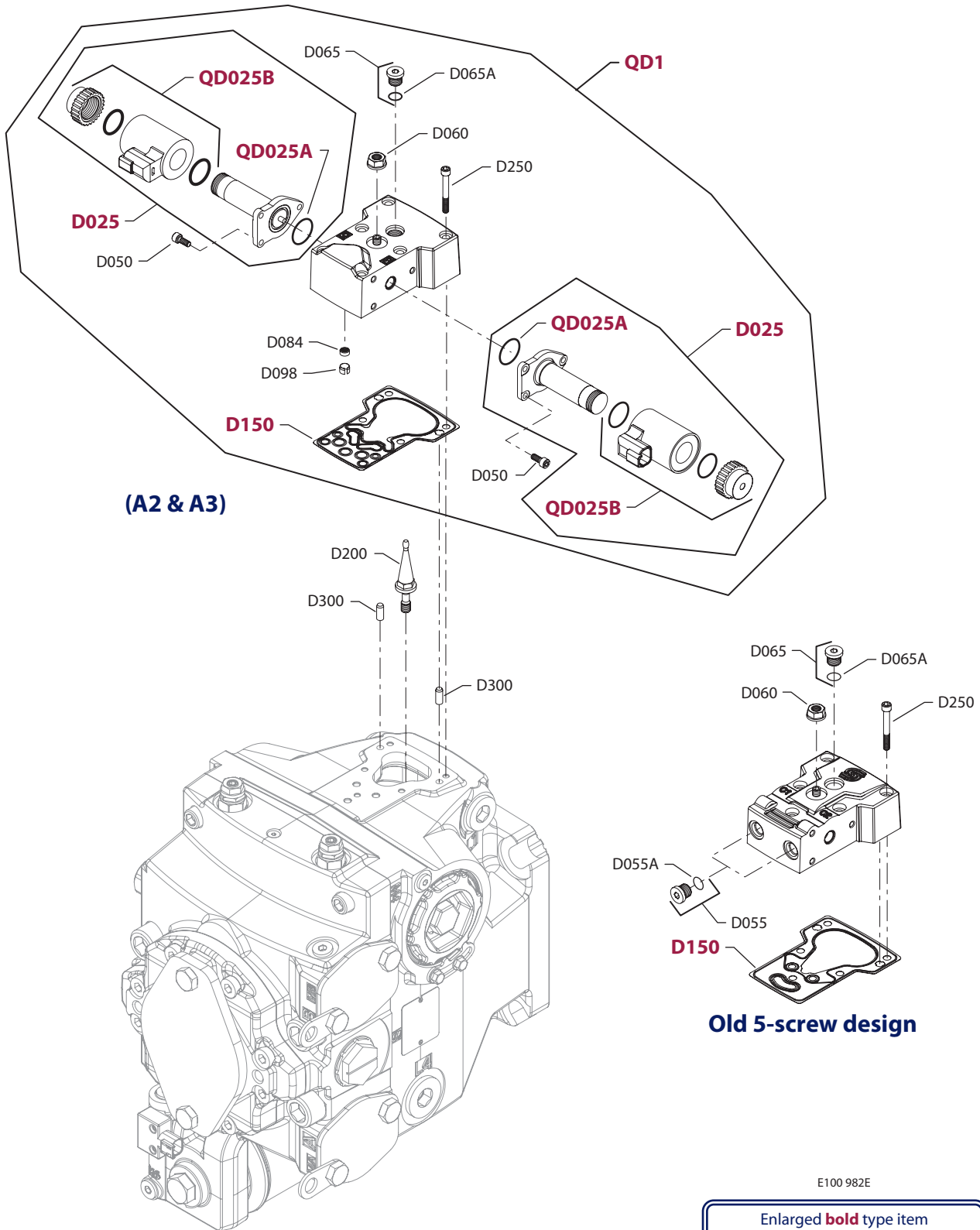
Enlarged **bold** type item numbers are recommended part to stock for servicing.

COMMON PARTS

Order Code	Item	Date Begin	Date End	Part Number	Part Name	Qty. per Model/Kit
	B010	05-18		9004800-3708	Dowel pin	2
	B015	05-18		140967	Plug assembly	2
	B015A	05-18		001123 (9004201-2500)	O-ring	2
	B020	05-18		664524 (9005110-9000)	Plug assembly	2
	B020A	05-18		001156 (9004201-7500)	O-ring	2
	B035	05-18		320002 (9005110-9200)	Plug assembly	2
	B035A	05-18		001172 (9004201-9000)	O-ring	2
	C010	05-18		11000693	Cylinder block kit, 147 cc	1
	C010	05-18		11000669	Cylinder block kit, 165 cc	1
	C05	05-18		140480	Cylinder block, 147 cc	1
	C05	05-18		140290	Cylinder block, 165 cc	1
	C15	05-18		140288	Slipper retainer ball guide	1
	C20	05-18		140292	Slipper retainer	1
	C25	05-18		140291	Spring washer	1
	C30	05-18		11001139	Cylinder block spring	1
	C35	05-18		140286	Washer	1
	C40	05-18		140286	Washer	1
	C45	05-18		302836	Retaining ring	1
	D070	05-18		140282	Swashplate	1
	QC10	05-18		11021922	Slipper/piston assembly kit, 147 cc	1
	QC10	05-18		11021924	Slipper/piston assembly kit, 165 cc	1
	QD	05-18		11004705	Swashplate bearing kit	1

SPECIAL HARDWARE

NN	C020	05-18		141128	Valve plate pin, CCW	1
	C020	05-18		141126	Valve plate pin, CW	1
	C025	05-18		141284	Valve plate, CCW	1
	C025	05-18		141282	Valve plate, CW	1

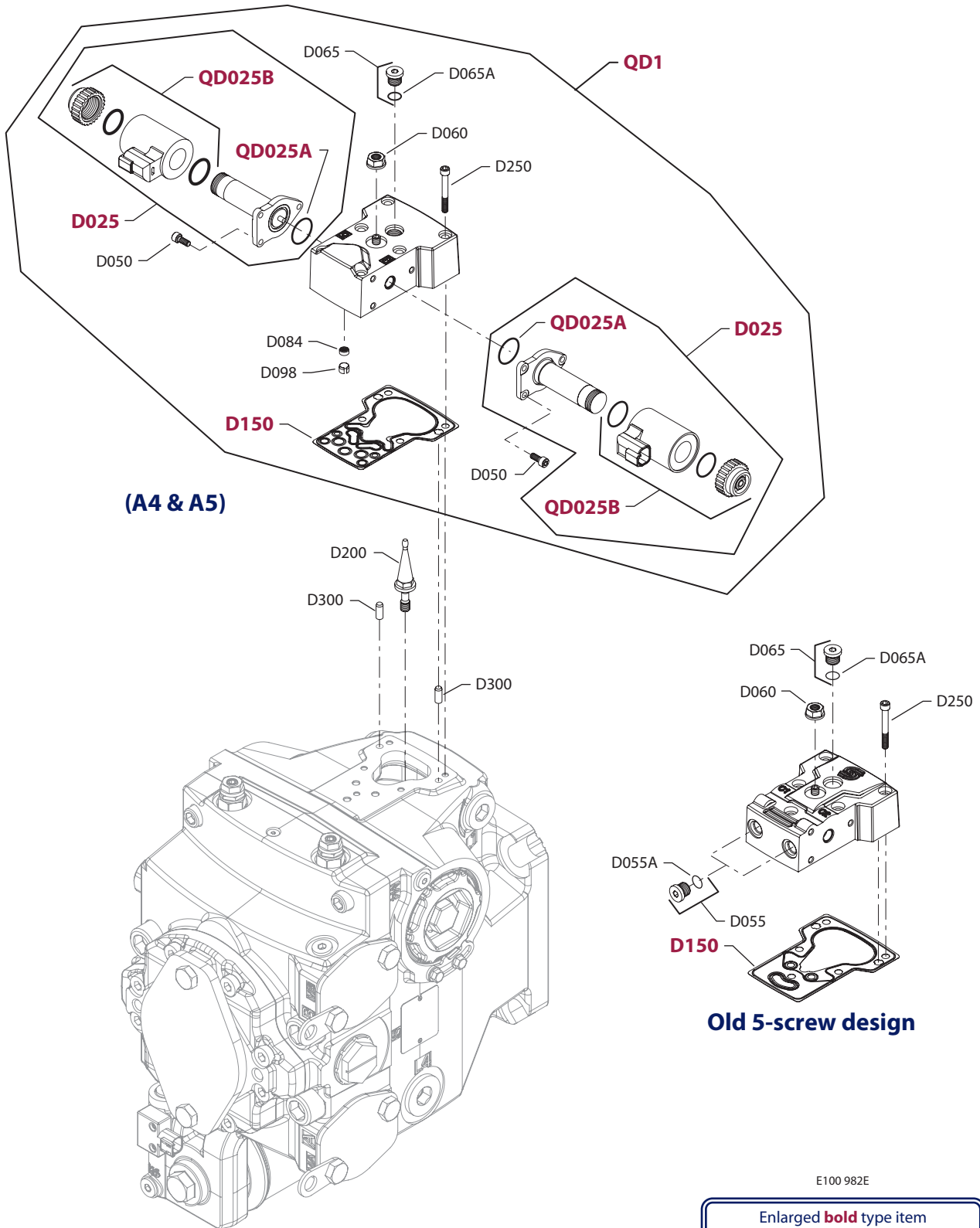


E100 982E

Enlarged **bold** type item numbers are recommended part to stock for servicing.

CONTROL

Order Code	Item	Date Begin	Date End	Part Number	Part Name	Qty. per Model/Kit
A2	QD1	07-01		11019680	EDC kit, 12V, Deutsch connector, fast	1
	QD1	05-18	06-52	11004693	EDC kit, 12V, Deutsch connector, fast (SB-2006-030)	1
	D025	05-18		11012457	Proportional solenoid, 12V (SB-2007-033)	2
	QD025A	05-18		11001952	O-ring	2
	QD025B	05-18		11028018	Coil kit, 12V, Deutsch connector (SB-2007-033)	2
	D050	05-18		716860	Screw	6
	D055	05-18	06-52	504519	Plug assembly	2
	D055A	05-18	06-52	039297 (9004201-1200)	O-ring	2
	D060	05-18		612291 (9003508-0008)	Seal nut	1
	D065	05-18		140967	Plug assembly	1
	D065A	05-18		001123 (9004201-2500)	O-ring	1
	D084	07-01		140967	Screen	1
	D098	07-50		11012505	Locking ring (SB-2007-033)	1
	D150	07-01		140879	Control gasket, H1, 6-screw	1
	D150	05-18	06-52	140722	Control gasket, H1, 5-screw (SB-2006-030)	1
	D200	05-18		140724	Swashplate feedback link	1
	D250	07-01		505038	Screw, M6 x 45	6
	D250	05-18	06-52	510382	Screw, M6 x 40 (SB-2006-030)	5
	D300	05-18		310979	Dowel pin	2
	A3	QD1	07-01		11019681	EDC kit, 24V, Deutsch connector, fast
QD1		05-18	06-52	11004695	EDC kit, 24V, Deutsch connector, fast (SB-2006-030)	1
D025		05-18		11012459	Proportional solenoid, 24V (SB-2007-033)	2
QD025A		05-18		11001952	O-ring	2
QD025B		05-18		11028019	Coil kit, 24V, Deutsch connector (SB-2007-033)	2
D050		05-18		716860	Screw	6
D055		05-18	06-52	504519	Plug assembly	2
D055A		05-18	06-52	039297 (9004201-1200)	O-ring	2
D060		05-18		612291 (9003508-0008)	Seal nut	1
D065		05-18		140967	Plug assembly	1
D065A		05-18		001123 (9004201-2500)	O-ring	1
D084		07-01		140967	Screen	1
D098		07-50		11012505	Locking ring (SB-2007-033)	1
D150		07-01		140879	Control gasket, H1, 6-screw	1
D150		05-18	06-52	140722	Control gasket, H1, 5-screw (SB-2006-030)	1
D200		05-18		140724	Swashplate feedback link	1
D250		07-01		505038	Screw, M6 x 45	6
D250		05-18	06-52	510382	Screw, M6 x 40 (SB-2006-030)	5
D300		05-18		310979	Dowel pin	2

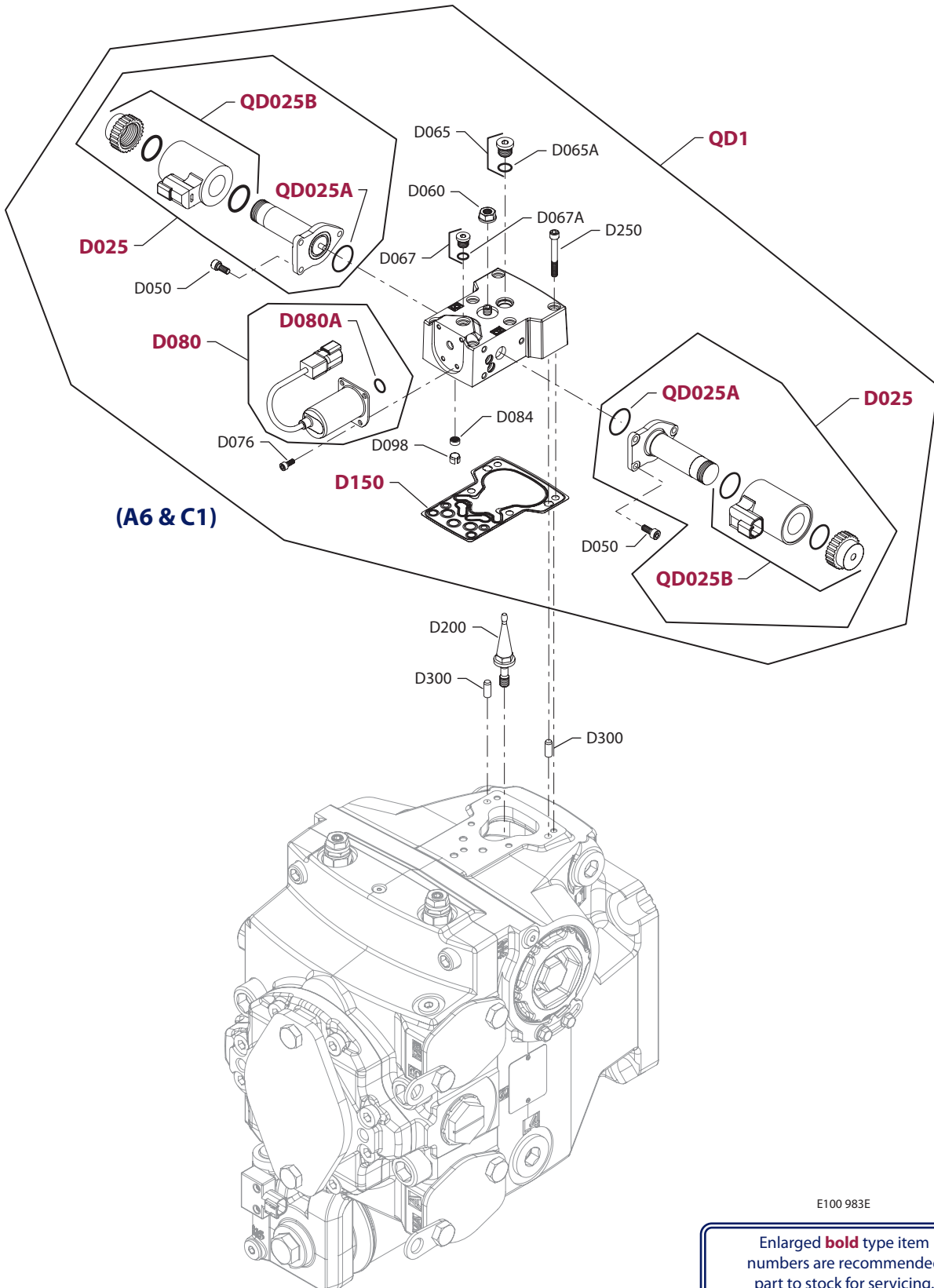


E100 982E

Enlarged **bold** type item numbers are recommended part to stock for servicing.

CONTROL

Order Code	Item	Date Begin	Date End	Part Number	Part Name	Qty. per Model/Kit
A4	QD1	07-01		11019732	EDC kit, 12V, Deutsch connector, fast, manual override	1
	QD1	05-18	06-52	11004697	EDC kit, 12V, Deutsch connector, fast (SB-2006-030)	1
	D025	05-18		140750	Proportional solenoid, 12V	2
	QD025A	05-18		11001952	O-ring	2
	QD025B	05-18		11004698	Coil kit, 12V, Deutsch connector	2
	D050	05-18		716860	Screw	6
	D055	05-18	06-52	504519	Plug assembly	2
	D055A	05-18	06-52	039297 (9004201-1200)	O-ring	2
	D060	05-18		612291 (9003508-0008)	Seal nut	1
	D065	05-18		140967	Plug assembly	1
	D065A	05-18		001123 (9004201-2500)	O-ring	1
	D084	07-01		140967	Screen	1
	D098	08-16		11012505	Locking ring (SB-2007-033)	1
	D150	07-01		140879	Control gasket, H1, 6-screw	1
	D150	05-18	06-52	140722	Control gasket, H1, 5-screw (SB-2006-030)	1
	D200	05-18		140724	Swashplate feedback link	1
	D250	07-01		505038	Screw, M6 x 45	6
	D250	05-18	06-52	510382	Screw, M6 x 40 (SB-2006-030)	5
	D300	05-18		310979	Dowel pin	2
	A5	QD1	07-01		11019733	EDC kit, 24V, Deutsch connector, fast, manual override
QD1		05-18	06-52	11004699	EDC kit, 24V, Deutsch connector, fast (SB-2006-030)	1
D025		05-18		140751	Proportional solenoid, 24V (SB-2007-033)	2
QD025A		05-18		11001952	O-ring	2
QD025B		05-18		11004700	Coil kit, 24V, Deutsch connector (SB-2007-033)	2
D050		05-18		716860	Screw	6
D055		05-18	06-52	504519	Plug assembly	2
D055A		05-18	06-52	039297 (9004201-1200)	O-ring	2
D060		05-18		612291 (9003508-0008)	Seal nut	1
D065		05-18		140967	Plug assembly	1
D065A		05-18		001123 (9004201-2500)	O-ring	1
D084		07-01		140967	Screen	1
D098		08-16		11012505	Locking ring (SB-2007-033)	1
D150		07-01		140879	Control gasket, H1, 6-screw	1
D150		05-18	06-52	140722	Control gasket, H1, 5-screw (SB-2006-030)	1
D200		05-18		140724	Swashplate feedback link	1
D250		07-01		505038	Screw, M6 x 45	6
D250		05-18	06-52	510382	Screw, M6 x 40 (SB-2006-030)	5
D300		05-18		310979	Dowel pin	2

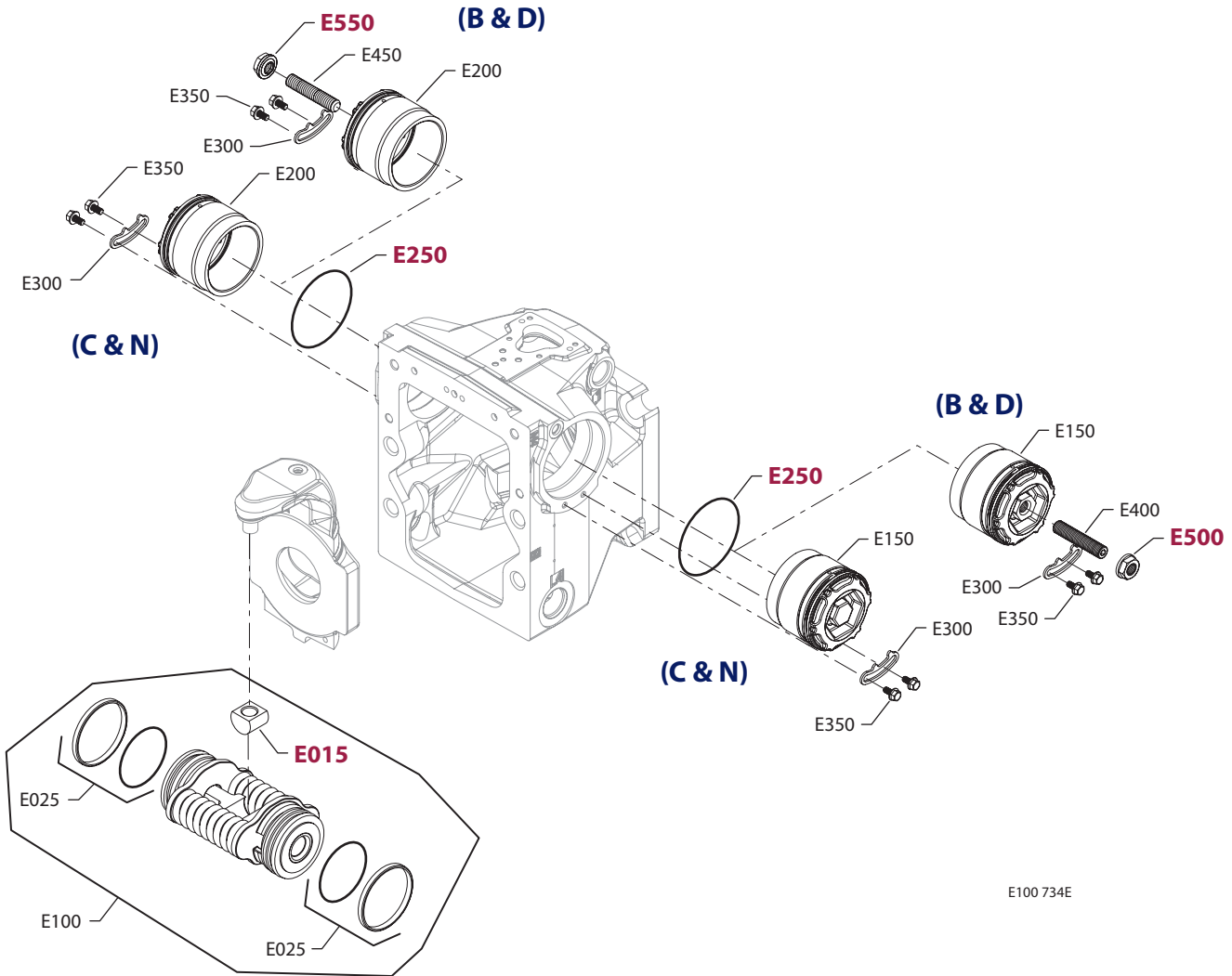


E100 983E

Enlarged **bold** type item numbers are recommended part to stock for servicing.

CONTROL

Order Code	Item	Date Begin	Date End	Part Number	Part Name	Qty. per Model/Kit
A6	QD1	07-01		11019736	EDC kit, 12V, Deutsch connector	1
	QD1	05-18	06-52	11004701	EDC kit, 12V, Deutsch connector (SB-2006-030)	1
	D025	05-18		11012457	Proportional solenoid, 12V, (SB-2007-033)	2
	QD025A	05-18		11001952	O-ring	2
	QD025B	05-18		11028018	Coil kit, 12V, Deutsch connector	2
	D050	05-18		716860	Screw	6
	D060	05-18		612291 (9003508-0008)	Seal nut	1
	D065	05-18		140967	Plug assembly	1
	D065A	05-18		001123 (9004201-2500)	O-ring	1
	D067	05-18		504519	Plug assembly	1
	D067A	05-18		039297 (9004201-1200)	O-ring	1
	D076	05-18		346957	Screw	4
	D080	05-18		11012382	Solenoid- on/off, 12 volt	1
	D080A	05-18		11059551	O-ring	1
	D084	07-01		140967	Screen	1
	D098	07-50		11012505	Locking ring (SB-2007-033)	1
	D150	05-18		140879	Control gasket, H1, 6-screw	1
	D200	05-18		140724	Swashplate feedback link	1
	D250	07-01		505038	Screw, M6 x 45	6
	D250	05-18	06-52	141022	Screw, M6 x 45, seal lock	6
D300	05-18		310979	Dowel pin	2	
C1	QD1	07-39		11037176	EDC kit, 24V, Deutsch connector	1
	D025	07-39		11012459	Proportional solenoid, 24V	2
	QD025A	07-39		11001952	O-ring	2
	QD025B	07-39		11028019	Coil kit, 24V, Deutsch connector	2
	D050	07-39		716860	Screw	6
	D060	07-39		612291 (9003508-0008)	Seal nut	1
	D065	07-39		140967	Plug assembly	1
	D065A	07-39		001123 (9004201-2500)	O-ring	1
	D067	07-39		504519	Plug assembly	1
	D067A	07-39		039297 (9004201-1200)	O-ring	1
	D076	07-39		346957	Screw	4
	D080	07-39		11012383	Solenoid- on/off, 24 volt	1
	D080A	07-39		11059551	O-ring	1
	D084	07-39		140967	Screen	1
	D098	07-39		11012505	Locking ring	1
	D150	07-39		140879	Control gasket, H1, 6-screw	1
	D200	07-39		140724	Swashplate feedback link	1
	D250	07-39		505038	Screw, M6 x 45	6
	D300	07-39		310979	Dowel pin	2

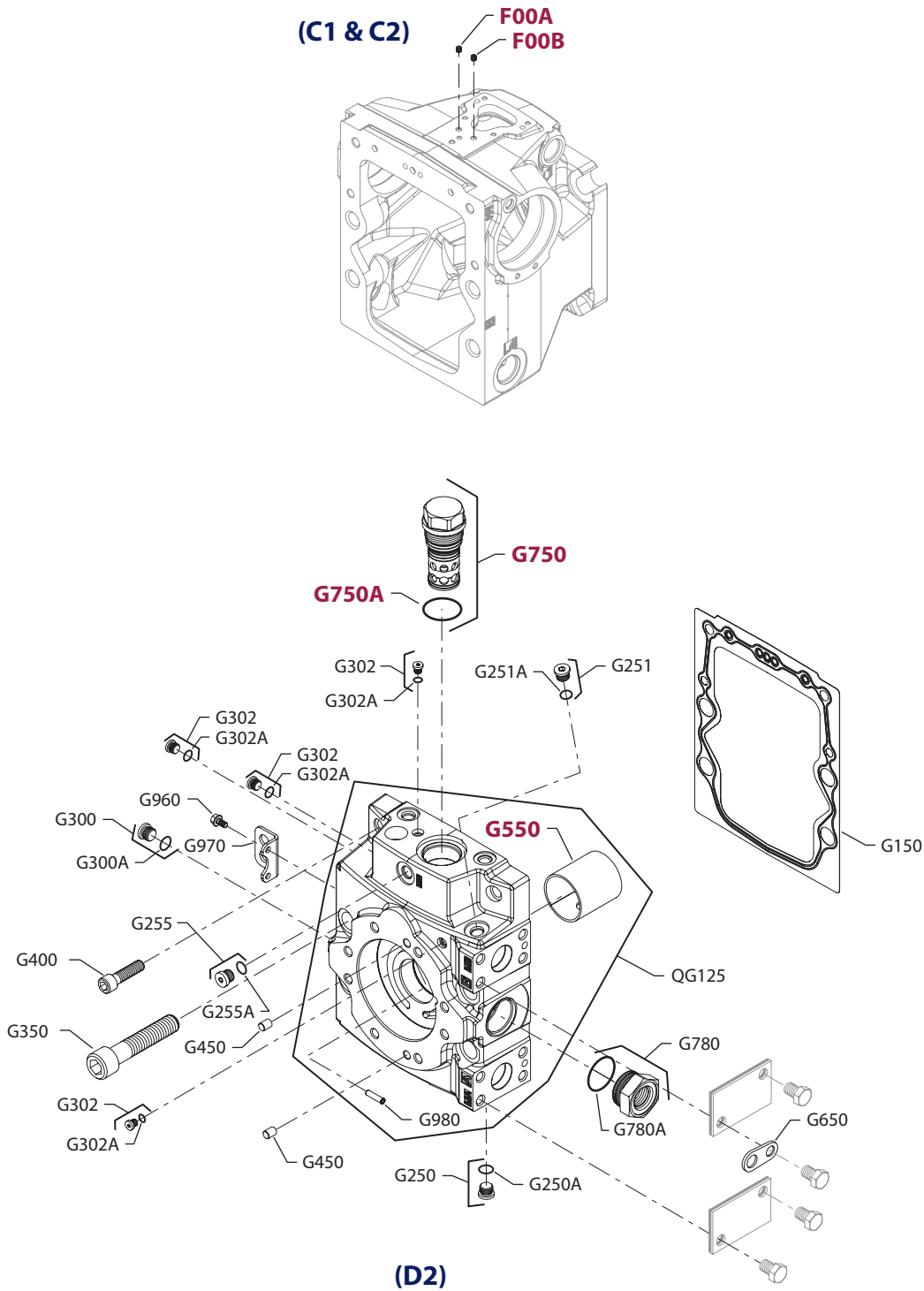


E100 734E

Enlarged **bold** type item numbers are recommended part to stock for servicing.

DISPLACEMENT LIMITATION

Order Code	Item	Date Begin	Date End	Part Number	Part Name	Qty. per Model/Kit
B	E100	05-18		11005250	Servo piston assembly (SB-2006-030)	1
	E015	05-18		140519	Slider block	1
	E025	05-18		140019	Piston seal ring kit	2
	E150	05-18		140609	Servo cylinder	1
	E200	05-18		140609	Servo cylinder	1
	E250	05-18		9004104-1520	O-ring	2
	E300	05-18		140513	Locking plate	2
	E350	05-18		508438	Screw	4
	E400	05-18		11000798	Set screw	1
	E450	05-18		11000798	Set screw	1
	E500	05-18		649822	Seal nut	1
	E550	05-18		649822	Seal nut	1
	C	E100	05-18		11005249	Servo piston assy. w/nested springs (SB-2006-030)
E015		05-18		140519	Slider block	1
E025		05-18		140019	Piston seal ring kit	2
E150		05-18		140493	Servo cylinder	1
E200		05-18		140493	Servo cylinder	1
E250		05-18		9004104-1520	O-ring	2
E300		05-18		140513	Locking plate	2
E350		05-18		508438	Screw	4
D	E100	05-18		11005249	Servo piston assy. w/nested springs (SB-2006-030)	1
	E015	05-18		140519	Slider block	1
	E025	05-18		140019	Piston seal ring kit	2
	E150	05-18		140609	Servo cylinder	1
	E200	05-18		140609	Servo cylinder	1
	E250	05-18		9004104-1520	O-ring	2
	E300	05-18		140513	Locking plate	2
	E350	05-18		508438	Screw	4
	E400	05-18		11000798	Set screw	1
	E450	05-18		11000798	Set screw	1
	E500	05-18		649822	Seal nut	1
	E550	05-18		649822	Seal nut	1
	N	E100	05-18		11005250	Servo piston assembly (SB-2006-030)
E015		05-18		140519	Slider block	1
E025		05-18		140019	Piston seal ring kit	2
E150		05-18		140493	Servo cylinder	1
E200		05-18		140493	Servo cylinder	1
E250		05-18		9004104-1520	O-ring	2
E300		05-18		140513	Locking plate	2
E350		05-18		508438	Screw	4



E100 759E

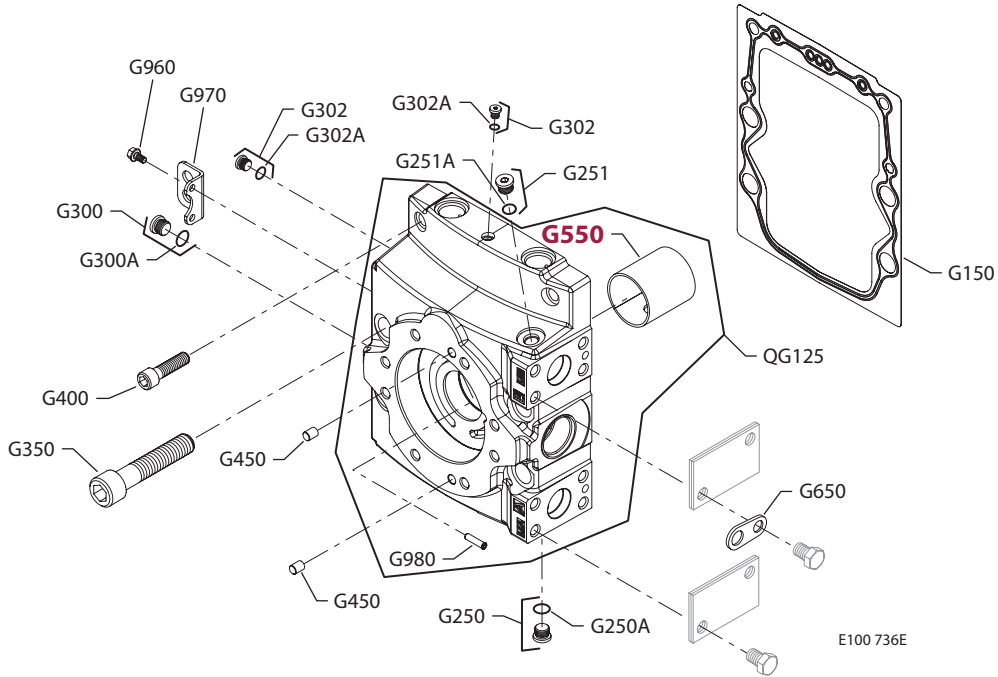
Enlarged **bold** type item numbers are recommended part to stock for servicing.

ORIFICE

Order Code	Item	Date Begin	Date End	Part Number	Part Name	Qty. per Model/Kit
C1	F00A	05-18		140611	Orifice, 0.8, M6 x 0.75 mm	1
	F00B	05-18		140611	Orifice, 0.8, M6 x 0.75 mm	1
C2	F00A	05-18		140754	Orifice, 1.3, M6 x 0.75 mm	1
	F00B	05-18		140754	Orifice, 1.3, M6 x 0.75 mm	1
C3				None		

END CAP

D2	QG125	05-18		11003533	End cap assembly, CW, ISL	1
	G150	05-18		140518	End cap gasket	1
	G250	05-18		140644	Plug assembly	1
	G250A	05-18		085043 (9004201-3700)	O-ring	1
	G251	05-18		140644	Plug assembly	1
	G251A	05-18		085043 (9004201-3700)	O-ring	1
	G255	05-18		140644	Plug assembly	1
	G255A	05-18		085043 (9004201-3700)	O-ring	1
	G300	05-18		140644	Plug assembly	1
	G300A	05-18		085043 (9004201-3700)	O-ring	1
	G302	05-18		504519	Plug assembly	4
	G302A	05-18		039297 (9004201-1200)	O-ring	4
	G350	05-18		140314	Screw	4
	G400	05-18		503499	Screw	4
	G450	05-18		9004800-3708	Dowel pin	2
	G550	05-18		140248	Journal bearing	1
	G650	05-18		8800565	Lifting bracket	1
	G750	05-18		11000438	ISL valve assembly	1
	G750A	05-18		140866	O-ring	1
	G780	05-18		521318	Reducer plug assembly	1
	G780A	05-18		093823 (9004201-9200)	O-ring	1
	G960	05-18		508438	Screw	2
	G970	05-18		4460311	Lifting bracket	1
	G980	05-18		11000229	Lubrication orifice	1

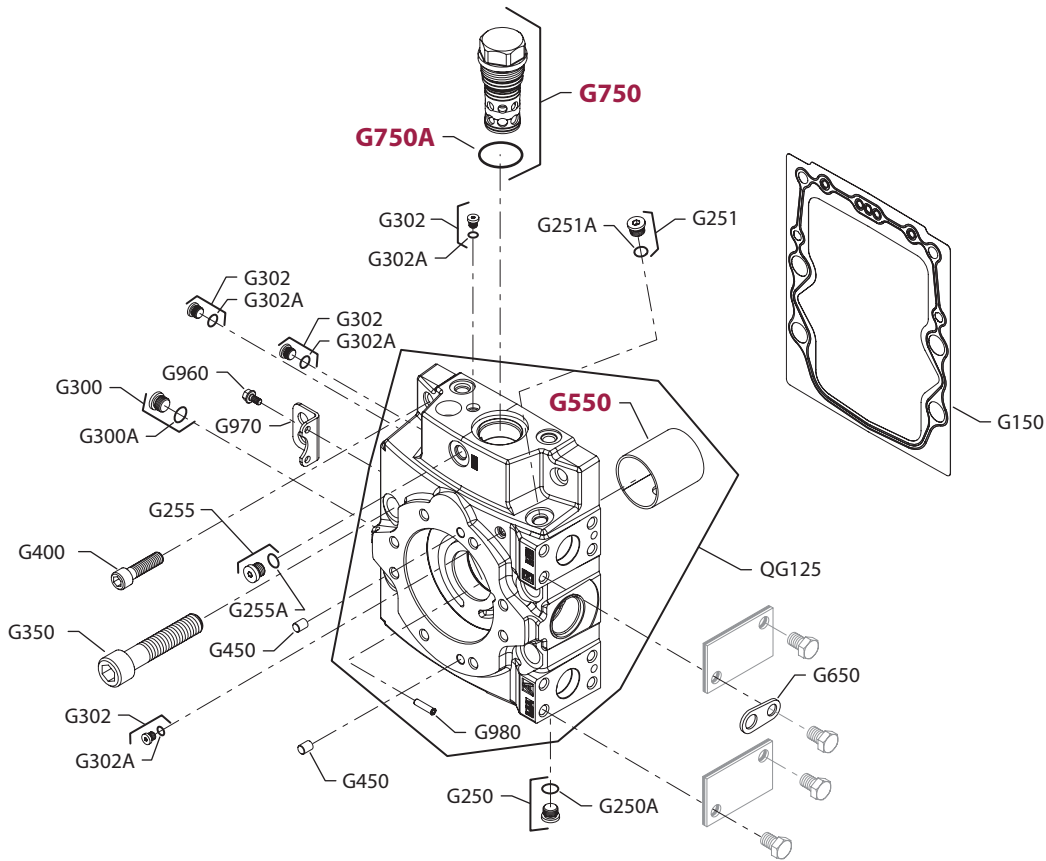


(D3)

Enlarged **bold** type item numbers are recommended part to stock for servicing.

END CAP

Order Code	Item	Date Begin	Date End	Part Number	Part Name	Qty. per Model/Kit
D3	QG125	05-18		11003536	End cap assembly, CW	1
	QG125	05-18		11003549	End cap assembly, CCW	1
	G150	05-18		140518	End cap gasket	1
	G250	05-18		140644	Plug assembly	1
	G250A	05-18		085043 (9004201-3700)	O-ring	1
	G251	05-18		140644	Plug assembly	1
	G251A	05-18		085043 (9004201-3700)	O-ring	1
	G300	05-18		140644	Plug assembly	1
	G300A	05-18		085043 (9004201-3700)	O-ring	1
	G302	05-18		504519	Plug assembly	2
	G302A	05-18		039297 (9004201-1200)	O-ring	2
	G350	05-18		140314	Screw	4
	G400	05-18		503499	Screw	2
	G450	05-18		9004800-3708	Dowel pin	2
	G550	05-18		140248	Journal bearing	1
	G650	05-18		8800565	Lifting bracket	1
	G960	05-18		508438	Screw	2
	G970	05-18		4460311	Lifting bracket	1
	G980	05-18		11000229	Lubrication orifice	1



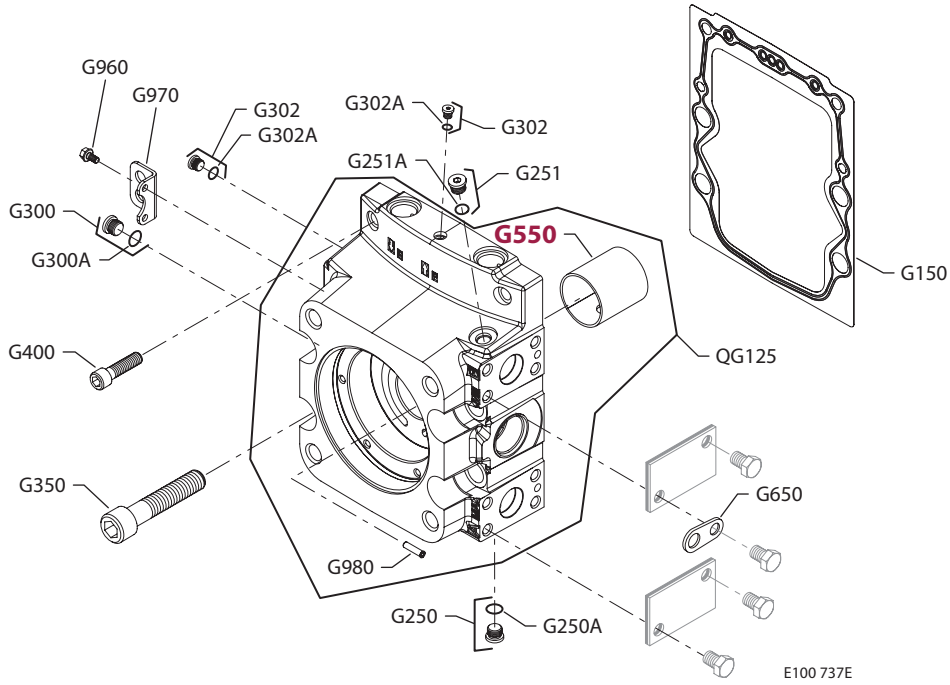
(D4)

E100 760E

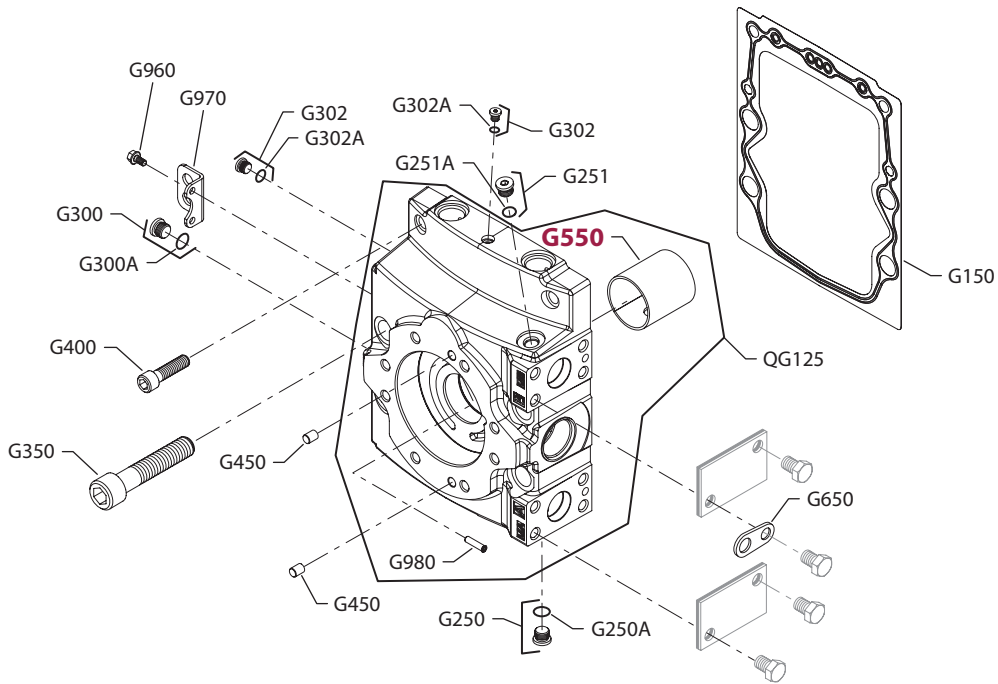
Enlarged **bold** type item numbers are recommended part to stock for servicing.

END CAP

Order Code	Item	Date Begin	Date End	Part Number	Part Name	Qty. per Model/Kit
D4	QG125	05-18		11003545	End cap assembly, CW, ISL	1
	QG125	05-18		11003556	End cap assembly, CCW, ISL	1
	G150	05-18		140518	End cap gasket	1
	G250	05-18		140644	Plug assembly	1
	G250A	05-18		085043 (9004201-3700)	O-ring	1
	G251	05-18		140644	Plug assembly	1
	G251A	05-18		085043 (9004201-3700)	O-ring	1
	G255	05-18		140644	Plug assembly	1
	G255A	05-18		085043 (9004201-3700)	O-ring	1
	G300	05-18		140644	Plug assembly	1
	G300A	05-18		085043 (9004201-3700)	O-ring	1
	G302	05-18		504519	Plug assembly	4
	G302A	05-18		039297 (9004201-1200)	O-ring	4
	G350	05-18		140314	Screw	4
	G400	05-18		503499	Screw	4
	G450	05-18		9004800-3708	Dowel pin	2
	G550	05-18		140248	Journal bearing	1
	G650	05-18		8800565	Lifting bracket	1
	G750	05-18		11000438	ISL valve assembly	1
	G750A	05-18		140866	O-ring	1
	G960	05-18		508438	Screw	2
	G970	05-18		4460311	Lifting bracket	1
	G980	05-18		11000229	Lubrication orifice	1



(D5)

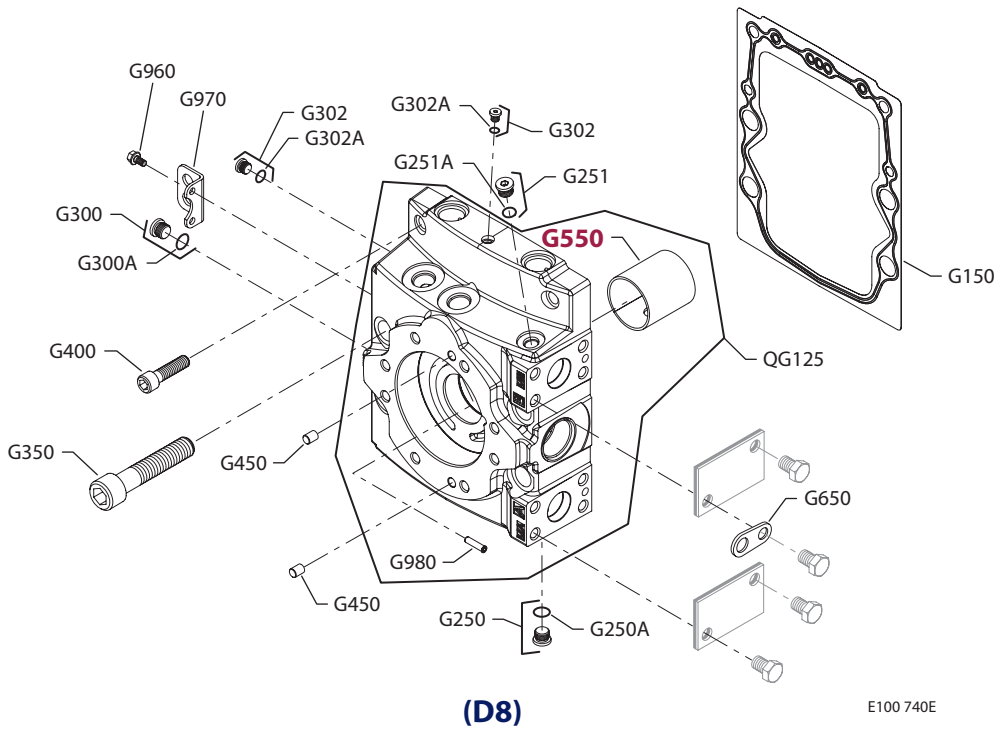
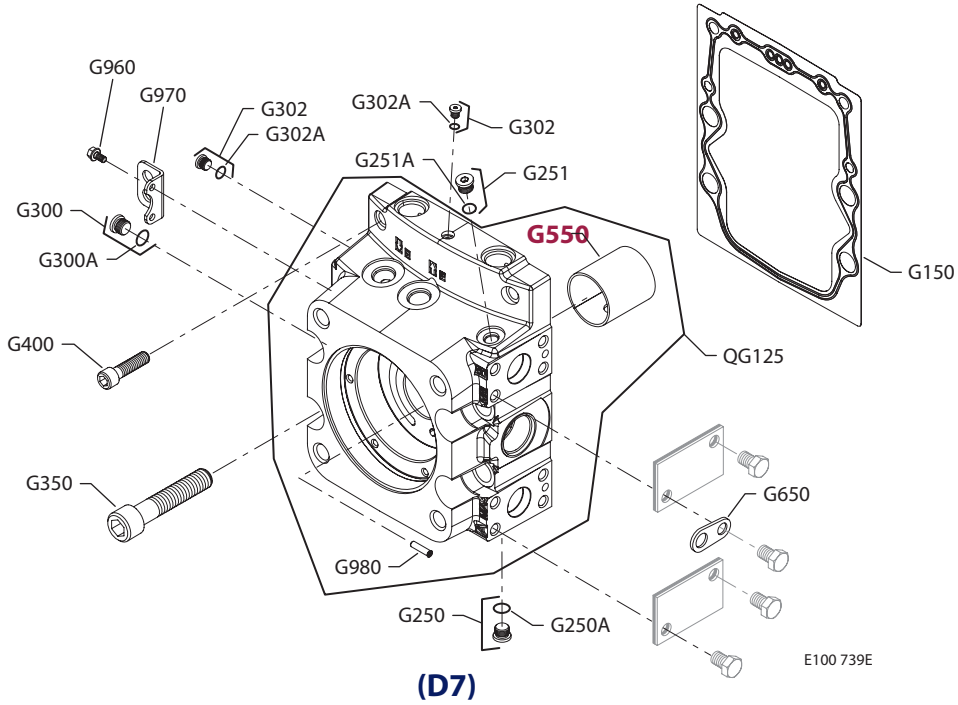


(D6)

Enlarged **bold** type item numbers are recommended part to stock for servicing.

END CAP

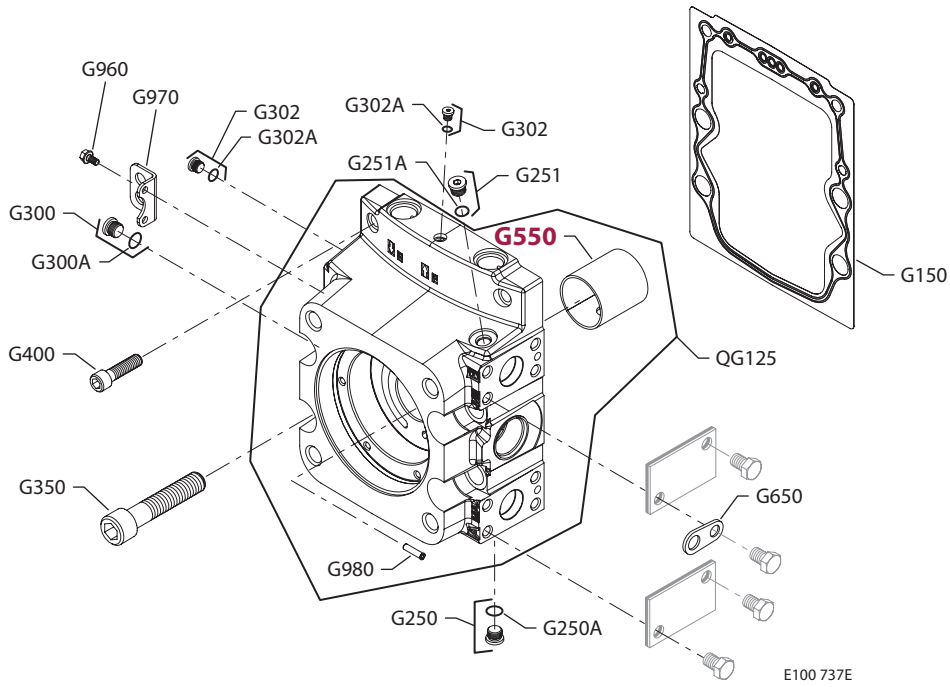
Order Code	Item	Date Begin	Date End	Part Number	Part Name	Qty. per Model/Kit	
D5	QG125	05-18		11003537	End cap assembly, CW	1	
	QG125	05-18		11003550	End cap assembly, CCW	1	
	G150	05-18		140518	End cap gasket	1	
	G250	05-18		140644	Plug assembly	1	
	G250A	05-18		085043 (9004201-3700)	O-ring	1	
	G251	05-18		140644	Plug assembly	1	
	G251A	05-18		085043 (9004201-3700)	O-ring	1	
	G300	05-18		140644	Plug assembly	1	
	G300A	05-18		085043 (9004201-3700)	O-ring	1	
	G302	05-18		504519	Plug assembly	2	
	G302A	05-18		039297 (9004201-1200)	O-ring	2	
	G350	05-18		140314	Screw	4	
	G400	05-18		503499	Screw	2	
	G550	05-18		140248	Journal bearing	1	
	G650	05-18		8800565	Lifting bracket	1	
	G960	05-18		508438	Screw	2	
	G970	05-18		4460311	Lifting bracket	1	
	G980	05-18		11000229	Lubrication orifice	1	
	D6	QG125	05-18		11003539	End cap assembly, CW	1
		QG125	05-18		11003552	End cap assembly, CCW	1
G150		05-18		140518	End cap gasket	1	
G250		05-18		140644	Plug assembly	1	
G250A		05-18		085043 (9004201-3700)	O-ring	1	
G251		05-18		140644	Plug assembly	1	
G251A		05-18		085043 (9004201-3700)	O-ring	1	
G300		05-18		140644	Plug assembly	1	
G300A		05-18		085043 (9004201-3700)	O-ring	1	
G302		05-18		504519	Plug assembly	2	
G302A		05-18		039297 (9004201-1200)	O-ring	2	
G350		05-18		140314	Screw	4	
G400		05-18		503499	Screw	2	
G450		05-18		9004800-3708	Dowel pin	2	
G550		05-18		140248	Journal bearing	1	
G650		05-18		8800565	Lifting bracket	1	
G960		05-18		508438	Screw	2	
G970		05-18		4460311	Lifting bracket	1	
G980		05-18		11000229	Lubrication orifice	1	



Enlarged **bold** type item numbers are recommended part to stock for servicing.

END CAP

Order Code	Item	Date Begin	Date End	Part Number	Part Name	Qty. per Model/Kit	
D7	QG125	05-18		11003540	End cap assembly, CW	1	
	QG125	05-18		11003553	End cap assembly, CCW	1	
	G150	05-18		140518	End cap gasket	1	
	G250	05-18		140644	Plug assembly	1	
	G250A	05-18		085043 (9004201-3700)	O-ring	1	
	G251	05-18		140644	Plug assembly	1	
	G251A	05-18		085043 (9004201-3700)	O-ring	1	
	G300	05-18		140644	Plug assembly	1	
	G300A	05-18		085043 (9004201-3700)	O-ring	1	
	G302	05-18		504519	Plug assembly	2	
	G302A	05-18		039297 (9004201-1200)	O-ring	2	
	G350	05-18		140314	Screw	4	
	G400	05-18		503499	Screw	2	
	G550	05-18		140248	Journal bearing	1	
	G650	05-18		8800565	Lifting bracket	1	
	G960	05-18		508438	Screw	2	
	G970	05-18		4460311	Lifting bracket	1	
	G980	05-18		11000229	Lubrication orifice	1	
	D8	QG125	05-18		11003542	End cap assembly, CW	1
		QG125	05-18		11003554	End cap assembly, CCW	1
G150		05-18		140518	End cap gasket	1	
G250		05-18		140644	Plug assembly	1	
G250A		05-18		085043 (9004201-3700)	O-ring	1	
G251		05-18		140644	Plug assembly	1	
G251A		05-18		085043 (9004201-3700)	O-ring	1	
G300		05-18		140644	Plug assembly	1	
G300A		05-18		085043 (9004201-3700)	O-ring	1	
G302		05-18		504519	Plug assembly	2	
G302A		05-18		039297 (9004201-1200)	O-ring	2	
G350		05-18		140314	Screw	4	
G400		05-18		503499	Screw	2	
G450		05-18		9004800-3708	Dowel pin	2	
G550		05-18		140248	Journal bearing	1	
G650		05-18		8800565	Lifting bracket	1	
G960		05-18		508438	Screw	2	
G970		05-18		4460311	Lifting bracket	1	
G980		05-18		11000229	Lubrication orifice	1	



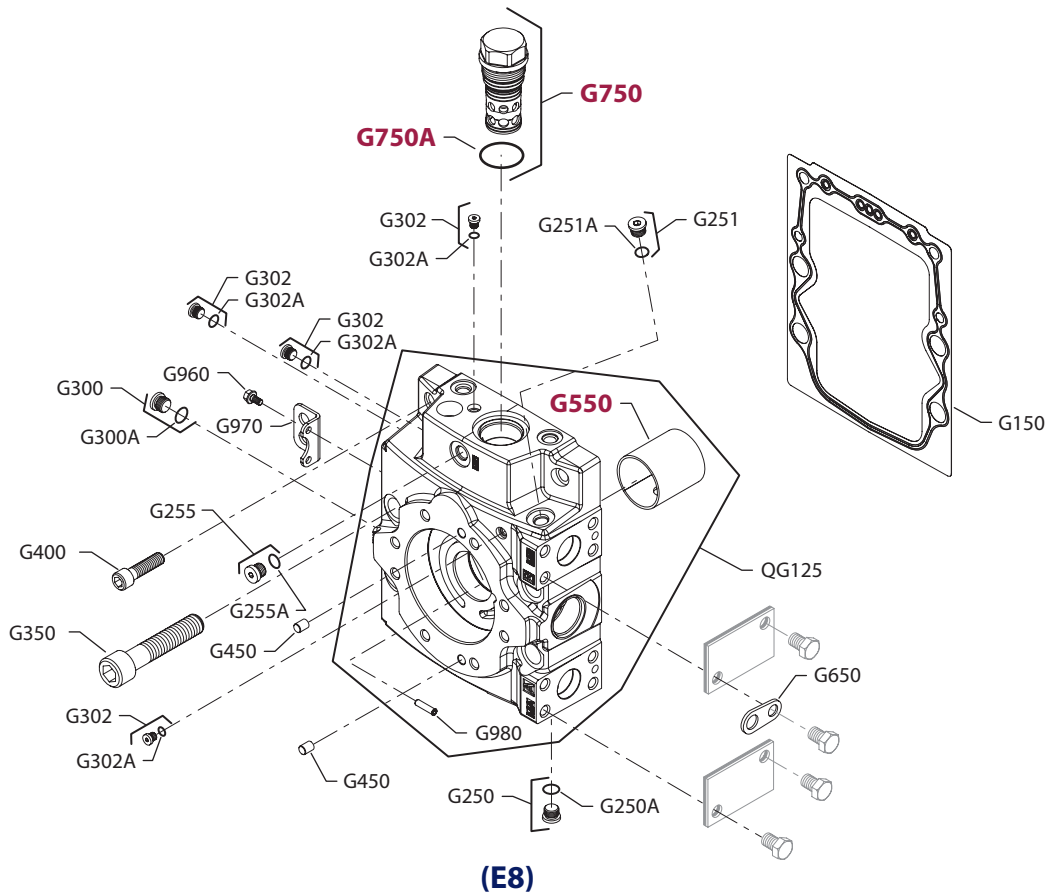
(D9)

E100 737E

Enlarged **bold** type item numbers are recommended part to stock for servicing.

END CAP

Order Code	Item	Date Begin	Date End	Part Number	Part Name	Qty. per Model/Kit
D9	QG125	05-18		11003544	End cap assembly, CW	1
	QG125	05-18		11003558	End cap assembly, CCW	1
	G150	05-18		140518	End cap gasket	1
	G250	05-18		140644	Plug assembly	1
	G250A	05-18		085043 (9004201-3700)	O-ring	1
	G251	05-18		140644	Plug assembly	1
	G251A	05-18		085043 (9004201-3700)	O-ring	1
	G300	05-18		140644	Plug assembly	1
	G300A	05-18		085043 (9004201-3700)	O-ring	1
	G302	05-18		504519	Plug assembly	2
	G302A	05-18		039297 (9004201-1200)	O-ring	2
	G350	05-18		140314	Screw	4
	G400	05-18		503499	Screw	2
	G550	05-18		140248	Journal bearing	1
	G650	05-18		8800565	Lifting bracket	1
	G960	05-18		508438	Screw	2
	G970	05-18		4460311	Lifting bracket	1
	G980	05-18		11000229	Lubrication orifice	1

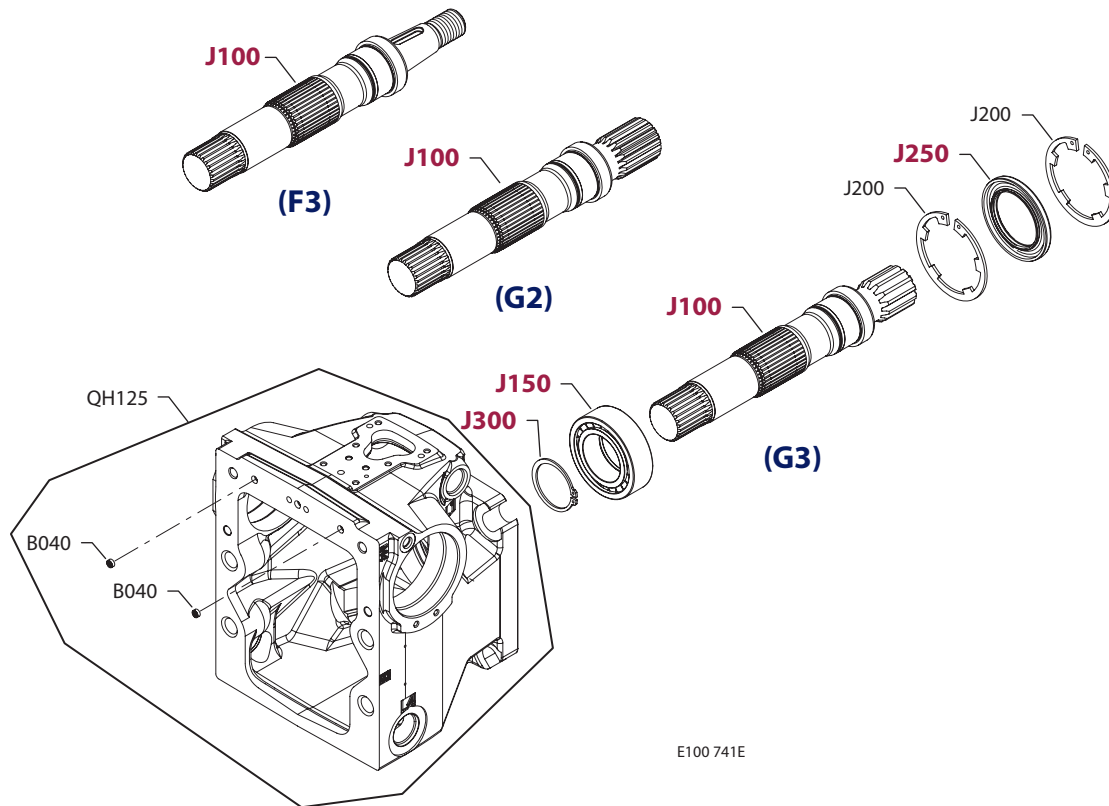


E100 760E

Enlarged **bold** type item numbers are recommended part to stock for servicing.

END CAP

Order Code	Item	Date Begin	Date End	Part Number	Part Name	Qty. per Model/Kit
E8	QG125	05-18		11003543	End cap assembly, CW, ISL	1
	QG125	05-18		11003555	End cap assembly, CCW, ISL	1
	G150	05-18		140518	End cap gasket	1
	G250	05-18		140644	Plug assembly	1
	G250A	05-18		085043 (9004201-3700)	O-ring	1
	G251	05-18		140644	Plug assembly	1
	G251A	05-18		085043 (9004201-3700)	O-ring	1
	G255	05-18		140644	Plug assembly	1
	G255A	05-18		085043 (9004201-3700)	O-ring	1
	G300	05-18		140644	Plug assembly	1
	G300A	05-18		085043 (9004201-3700)	O-ring	1
	G302	05-18		504519	Plug assembly	4
	G302A	05-18		039297 (9004201-1200)	O-ring	4
	G350	05-18		140314	Screw	4
	G400	05-18		503499	Screw	4
	G450	05-18		9004800-3708	Dowel pin	2
	G550	05-18		140248	Journal bearing	1
	G650	05-18		8800565	Lifting bracket	1
	G750	05-18		11000438	ISL valve assembly	1
	G750A	05-18		140866	O-ring	1
	G960	05-18		508438	Screw	2
	G970	05-18		4460311	Lifting bracket	1
	G980	05-18		11000229	Lubrication orifice	1



E100 741E

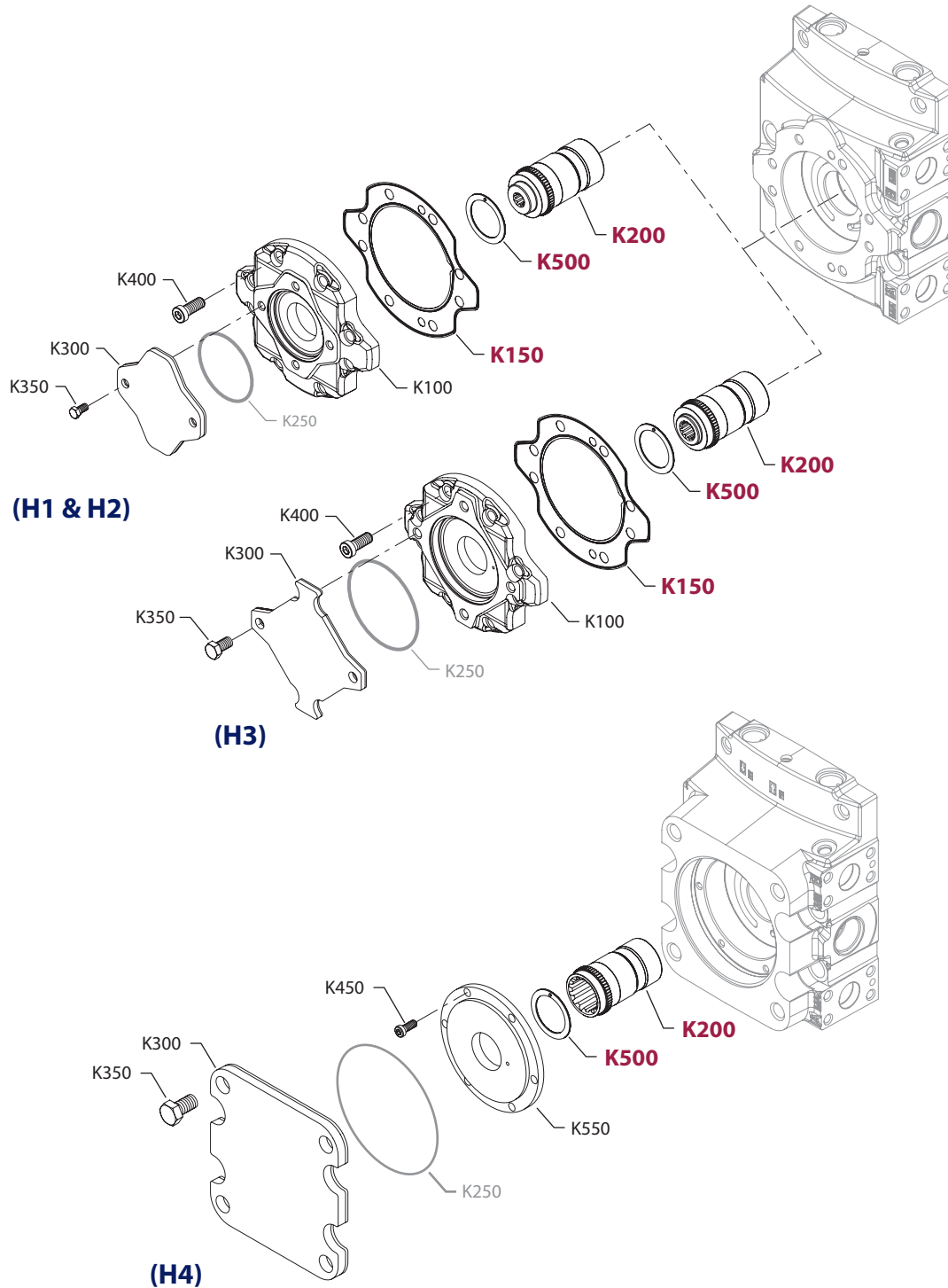
Enlarged **bold** type item numbers are recommended part to stock for servicing.

HOUSING

Order Code	Item	Date Begin	Date End	Part Number	Part Name	Qty. per Model/Kit
G	QH125	07-01		11005674	Housing assembly H1, 6-screw control	1
	QH125	05-18	06-52	11019987 (A2 control option)	Housing replacement kit (SB-2006-030)	1
	QH125	05-18	06-52	11019988 (A3 control option)	Housing replacement kit (SB-2006-030)	1
	QH125	05-18	06-52	11019989 (A4 control option)	Housing replacement kit (SB-2006-030)	1
	QH125	05-18	06-52	11019990 (A5 control option)	Housing replacement kit (SB-2006-030)	1
	QH125	05-18	06-52	11019991 (A6 control option)	Housing replacement kit (SB-2006-030)	1
	B040	05-18		140967	Screen, 8 mm, 125 micron	2
Z	QH125	07-25		11005677	Housing assembly	1
	B040	07-25		140967	Screen, 8 mm, 125 micron	2

SHAFT

F3	J100	07-29		11022051	Shaft, tapered	1
	J150	07-29		140705	Roller bearing	1
	J200	07-29		140063	Retaining ring	2
	J250	07-29		11024711	Lip seal (SB-2008-014)	1
	J300	07-29		140094	Retaining ring	1
G2	J100	05-18		140254	Shaft, 27 tooth spline, 16/32 pitch	1
	J150	05-18		140705	Roller bearing	1
	J200	05-18		140063	Retaining ring	2
	J250	05-18		11024711	Lip seal (SB-2008-014)	1
	J300	05-18		140094	Retaining ring	1
G3	J100	05-18		140412	Shaft, 13 tooth spline, 8/16 pitch	1
	J150	05-18		140705	Roller bearing	1
	J200	05-18		140063	Retaining ring	2
	J250	05-18		11024711	Lip seal (SB-2008-014)	1
	J300	05-18		140094	Retaining ring	1

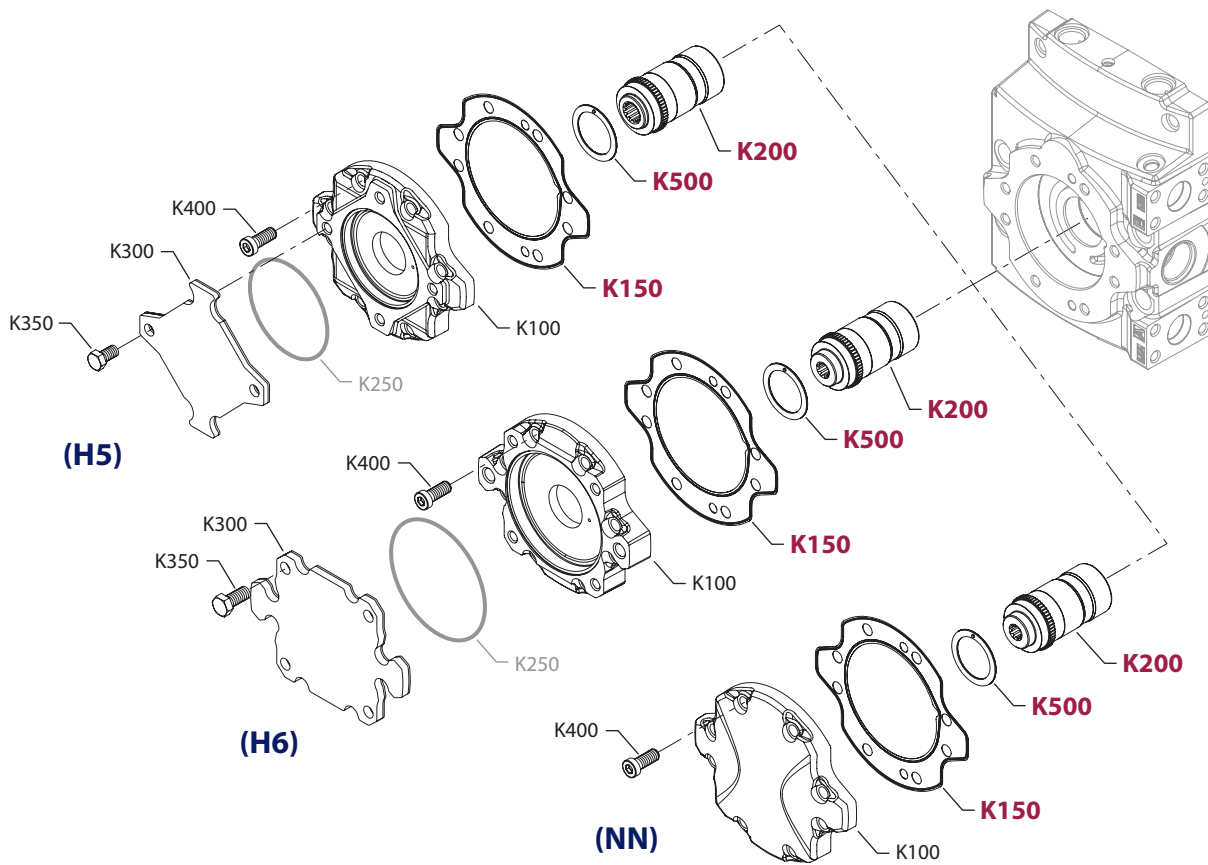


E100 742E

Enlarged **bold** type item numbers are recommended part to stock for servicing.

AUXILIARY MOUNTING

Order Code	Item	Date Begin	Date End	Part Number	Part Name	Qty. per Model/Kit
H1	K100	06-41		140694	Adapter flange, SAE A	1
	K150	06-41		140703	Adapter seal	1
	K200	06-41		140704	Coupling, 11 tooth, 16/32 pitch	1
	K250	06-41	08-11	9004104-1520	O-ring (SB-2008-038)	1
	K300	06-41		11017125	Flange cover (SB-2008-038)	1
	K350	06-41		370247	Screw	2
	K400	06-41		140700	Screw	8
	K500	06-41		140973	Thrust washer	1
H2	K100	05-18		140694	Adapter flange, SAE A	1
	K150	05-18		140703	Adapter seal	1
	K200	05-18		140972	Coupling, 9 tooth, 16/32 pitch	1
	K250	05-18	08-11	9004104-1520	O-ring (SB-2008-038)	1
	K300	05-18		11017125	Flange cover (SB-2008-038)	1
	K350	05-18		370247	Screw	2
	K400	05-18		140700	Screw	8
	K500	05-18		140973	Thrust washer	1
H3	K100	05-18		140696	Adapter flange, SAE B	1
	K150	05-18		140703	Adapter seal	1
	K200	05-18		140975	Coupling, 13 tooth, 16/32 pitch	1
	K250	05-18	08-35	327627 (9004104-1540)	O-ring (SB-2008-038)	1
	K300	05-18		11023747	Flange cover (SB-2008-038)	1
	K350	05-18		509528	Screw	2
	K400	05-18		140700	Screw	8
	K500	05-18		140973	Thrust washer	1
H4	K200	05-18		140966	Coupling, 13 tooth, 8/16 pitch	1
	K250	05-18	08-35	726927	O-ring (SB-2008-038)	1
	K300	05-18		11023751	Flange cover (SB-2008-038)	1
	K350	05-18		11024165	Screw	4
	K450	05-18		11001141	Screw	6
	K500	05-18		140973	Thrust washer	1
	K550	05-18		141012	Charge pump cover	1

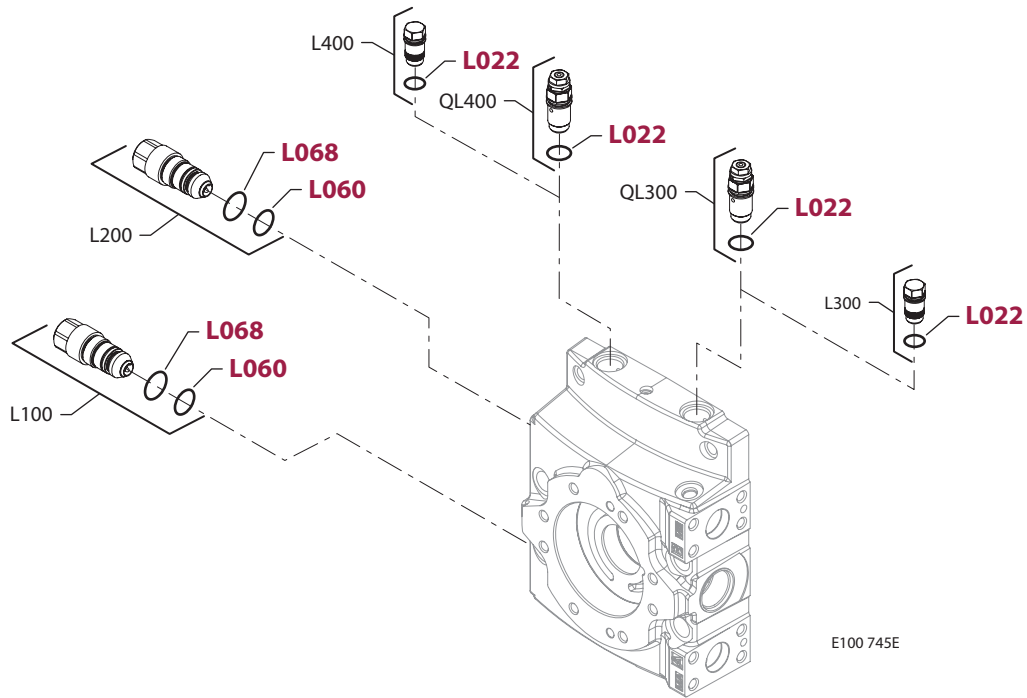


E101 736E

Enlarged **bold** type item numbers are recommended part to stock for servicing.

AUXILIARY MOUNTING

Order Code	Item	Date Begin	Date End	Part Number	Part Name	Qty. per Model/Kit
H5	K100	05-18		140696	Adapter flange, SAE B	1
	K150	05-18		140703	Adapter seal	1
	K200	05-18		11000658	Coupling, 15 tooth, 16/32 pitch	1
	K250	05-18	08-35	327627 (9004104-1540)	O-ring (SB-2008-038)	1
	K300	05-18		11023747	Flange cover (SB-2008-038)	1
	K350	05-18		509528	Screw	2
	K400	05-18		140700	Screw	8
	K500	05-18		140973	Thrust washer	1
	H6	K100	05-18		140698	Adapter flange, SAE C
K150		05-18		140703	Adapter seal	1
K200		05-18		140965	Coupling, 14 tooth, 12/24 pitch	1
K250		05-18	08-35	056739 (9004104-1580)	O-ring (SB-2008-038)	1
K300		05-18		11023748	Flange cover (SB-2008-038)	1
K350		05-18		509528	Screw	2
K400		05-18		140700	Screw	8
K500		05-18		140973	Thrust washer	1
NN		K100	05-18		140969	Adapter flange, no pad
	K150	05-18		140703	Adapter seal	1
	K200	05-18		140972	Coupling, 9 tooth, 16/32 pitch	1
	K400	05-18		140700	Screw	8
	K500	05-18		140973	Thrust washer	1

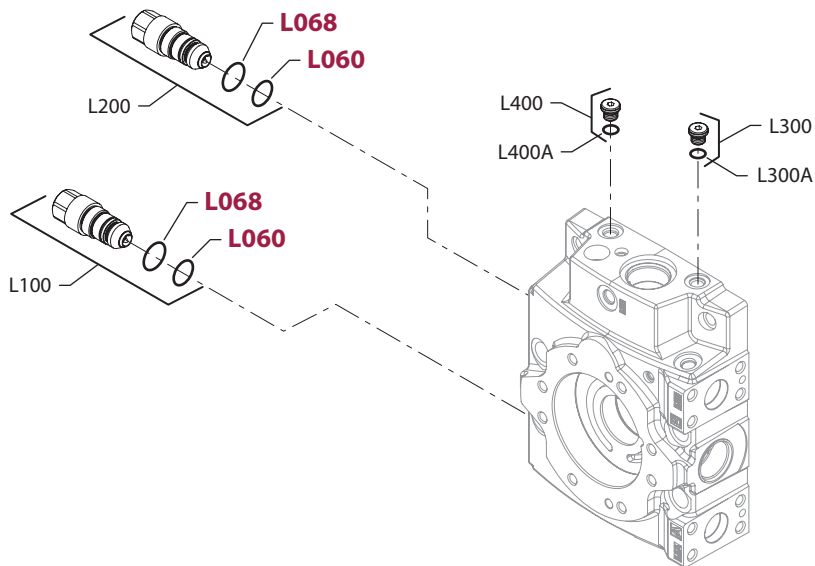
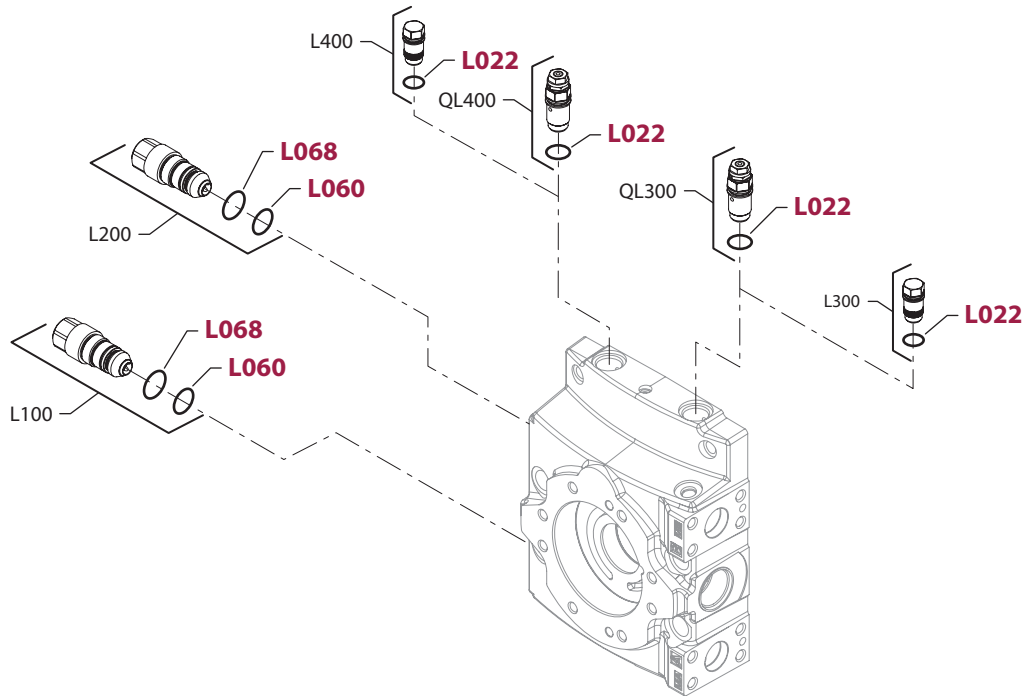


E100 745E

Enlarged **bold** type item numbers are recommended part to stock for servicing.

HIGH PRESSURE SETTING, PORT A

Order Code	Item	Date Begin	Date End	Part Number	Part Name	Qty. per Model/Kit
all	L022	05-18		504207	O-ring	1
	L060	05-18		365023	O-ring	1
	L068	05-18		011395 (9004104-0230)	O-ring	1
K20	L100	05-18		141058	High pressure relief valve, 200 bar	1
	L300	05-18		11002302	Pressure limiter plug, left hand rotation pump	1
	L400	05-18		11002302	Pressure limiter plug, right hand rotation pump	1
K23	L100	05-18		11002621	High pressure relief valve, 230 bar	1
	L300	05-18		11002302	Pressure limiter plug, left hand rotation pump	1
	L400	05-18		11002302	Pressure limiter plug, right hand rotation pump	1
K25	L100	05-18		141059	High pressure relief valve, 250 bar	1
	L300	05-18		11002302	Pressure limiter plug, left hand rotation pump	1
	L400	05-18		11002302	Pressure limiter plug, right hand rotation pump	1
K28	L100	05-18		11002622	High pressure relief valve, 280 bar	1
	L300	05-18		11002302	Pressure limiter plug, left hand rotation pump	1
	L400	05-18		11002302	Pressure limiter plug, right hand rotation pump	1
K30	L100	05-18		141060	High pressure relief valve, 300 bar	1
	L300	05-18		11002302	Pressure limiter plug, left hand rotation pump	1
	L400	05-18		11002302	Pressure limiter plug, right hand rotation pump	1
K33	L100	05-18		11002623	High pressure relief valve, 330 bar	1
	L300	05-18		11002302	Pressure limiter plug, left hand rotation pump	1
	L400	05-18		11002302	Pressure limiter plug, right hand rotation pump	1
K35	L100	05-18		141061	High pressure relief valve, 350 bar	1
	L300	05-18		11002302	Pressure limiter plug, left hand rotation pump	1
	L400	05-18		11002302	Pressure limiter plug, right hand rotation pump	1
K38	L100	05-18		11002624	High pressure relief valve, 380 bar	1
	L300	05-18		11002302	Pressure limiter plug, left hand rotation pump	1
	L400	05-18		11002302	Pressure limiter plug, right hand rotation pump	1
K40	L100	05-18		141063	High pressure relief valve, 400 bar	1
	L300	05-18		11002302	Pressure limiter plug, left hand rotation pump	1
	L400	05-18		11002302	Pressure limiter plug, right hand rotation pump	1
K42	L100	05-18		141064	High pressure relief valve, 420 bar	1
	L300	05-18		11002302	Pressure limiter plug, left hand rotation pump	1
	L400	05-18		11002302	Pressure limiter plug, right hand rotation pump	1
K45	L100	05-18		141065	High pressure relief valve, 450 bar	1
	L300	05-18		11002302	Pressure limiter plug, left hand rotation pump	1
	L400	05-18		11002302	Pressure limiter plug, right hand rotation pump	1

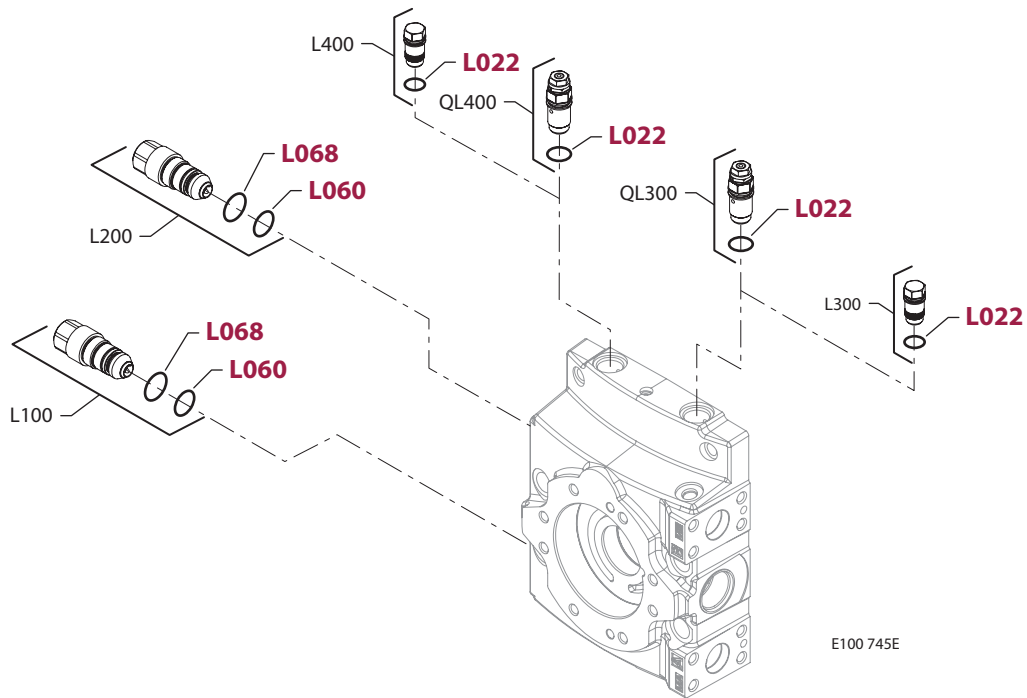


E100 757E

Enlarged **bold** type item numbers are recommended part to stock for servicing.

HIGH PRESSURE SETTING, PORT A

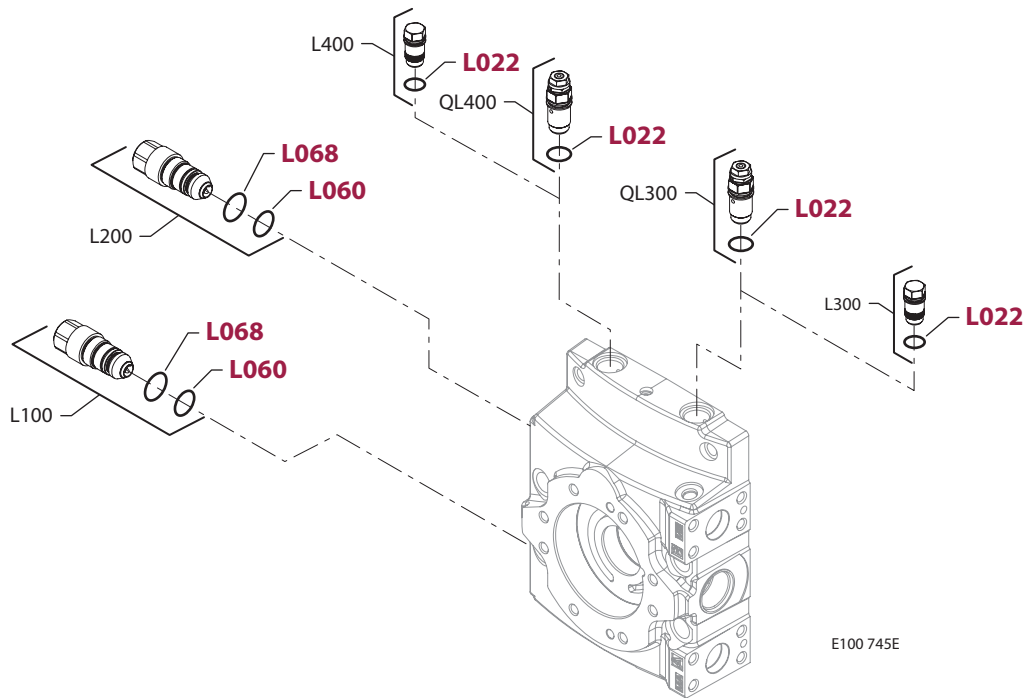
Order Code	Item	Date Begin	Date End	Part Number	Part Name	Qty. per Model/Kit
all	L022	05-18		504207	O-ring	1
	L060	05-18		365023	O-ring	1
	L068	05-18		011395 (9004104-0230)	O-ring	1
K48	L100	05-18		141066	High pressure relief valve, 480 bar	1
	L300	05-18		11002302	Pressure limiter plug, left hand rotation pump	1
	L400	05-18		11002302	Pressure limiter plug, right hand rotation pump	1
KDB	L100	05-18		141064	High pressure relief valve, 420 bar	1
	L400	05-18		513443	Plug assembly, right hand rotation pump	1
	L400A	05-18		5000463	O-ring	1
L15	L100	05-18		141058	High pressure relief valve, 200 bar	1
	QL300	05-18		11004709	Pressure limiter, adjustable, left hand rotation pump	1
	QL400	05-18		11004709	Pressure limiter, adjustable, right hand rotation pump	1
L18	L100	05-18		11002621	High pressure relief valve, 230 bar	1
	QL300	05-18		11004709	Pressure limiter, adjustable, left hand rotation pump	1
	QL400	05-18		11004709	Pressure limiter, adjustable, right hand rotation pump	1
L20	L100	05-18		141059	High pressure relief valve, 250 bar	1
	QL300	05-18		11004709	Pressure limiter, adjustable, left hand rotation pump	1
	QL400	05-18		11004709	Pressure limiter, adjustable, right hand rotation pump	1
L23	L100	05-18		11002622	High pressure relief valve, 280 bar	1
	QL300	05-18		11004709	Pressure limiter, adjustable, left hand rotation pump	1
	QL400	05-18		11004709	Pressure limiter, adjustable, right hand rotation pump	1
L25	L100	05-18		141060	High pressure relief valve, 300 bar	1
	QL300	05-18		11004709	Pressure limiter, adjustable, left hand rotation pump	1
	QL400	05-18		11004709	Pressure limiter, adjustable, right hand rotation pump	1
L28	L100	05-18		11002623	High pressure relief valve, 330 bar	1
	QL300	05-18		11004709	Pressure limiter, adjustable, left hand rotation pump	1
	QL400	05-18		11004709	Pressure limiter, adjustable, right hand rotation pump	1
L30	L100	05-18		141061	High pressure relief valve, 350 bar	1
	QL300	05-18		11004709	Pressure limiter, adjustable, left hand rotation pump	1
	QL400	05-18		11004709	Pressure limiter, adjustable, right hand rotation pump	1
L33	L100	05-18		11002624	High pressure relief valve, 380 bar	1
	QL300	05-18		11004709	Pressure limiter, adjustable, left hand rotation pump	1
	QL400	05-18		11004709	Pressure limiter, adjustable, right hand rotation pump	1
L35	L100	05-18		141063	High pressure relief valve, 400 bar	1
	QL300	05-18		11004709	Pressure limiter, adjustable, left hand rotation pump	1
	QL400	05-18		11004709	Pressure limiter, adjustable, right hand rotation pump	1



Enlarged **bold** type item numbers are recommended part to stock for servicing.

HIGH PRESSURE SETTING, PORT A

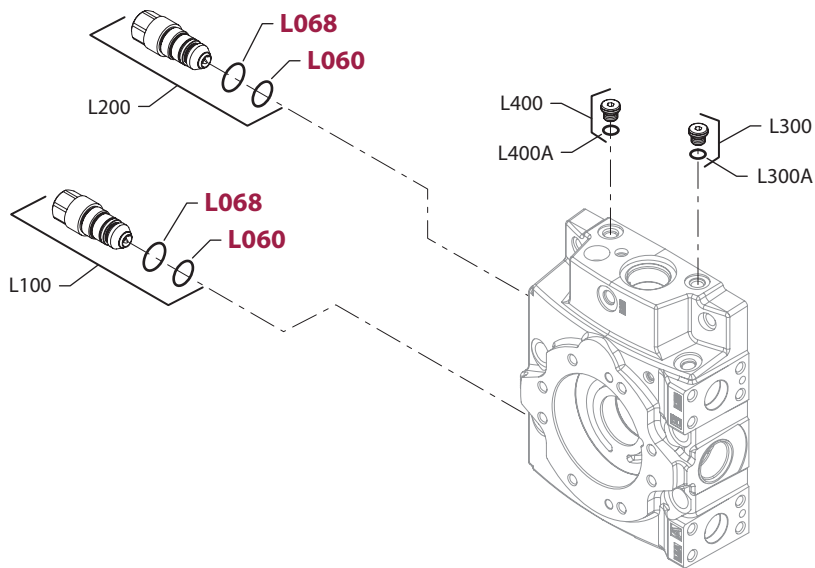
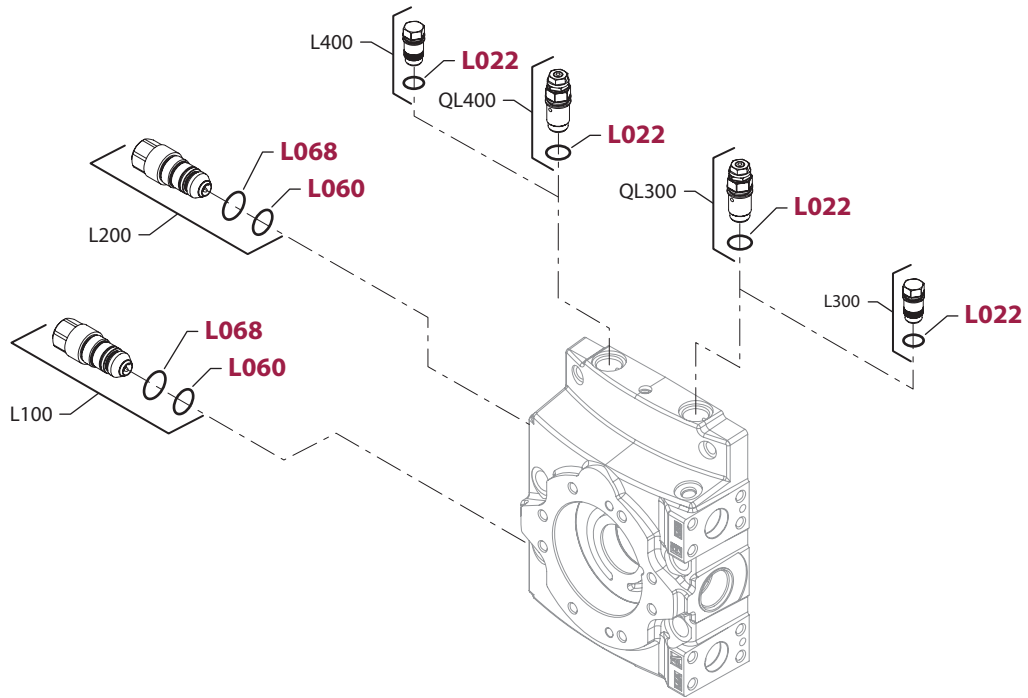
Order Code	Item	Date Begin	Date End	Part Number	Part Name	Qty. per Model/Kit
all	L022	05-18		504207	O-ring	1
	L060	05-18		365023	O-ring	1
	L068	05-18		011395 (9004104-0230)	O-ring	1
L38	L100	05-18		141064	High pressure relief valve, 420 bar	1
	QL300	05-18		11004709	Pressure limiter, adjustable, left hand rotation pump	1
	QL400	05-18		11004709	Pressure limiter, adjustable, right hand rotation pump	1
L40	L100	05-18		141065	High pressure relief valve, 450 bar	1
	QL300	05-18		11004709	Pressure limiter, adjustable, left hand rotation pump	1
	QL400	05-18		11004709	Pressure limiter, adjustable, right hand rotation pump	1
L41	L100	05-18		141065	High pressure relief valve, 450 bar	1
	QL300	05-18		11004709	Pressure limiter, adjustable, left hand rotation pump	1
	QL400	05-18		11004709	Pressure limiter, adjustable, right hand rotation pump	1
L42	L100	05-18		141065	High pressure relief valve, 450 bar	1
	QL300	05-18		11004709	Pressure limiter, adjustable, left hand rotation pump	1
	QL400	05-18		11004709	Pressure limiter, adjustable, right hand rotation pump	1
L43	L100	05-18		141066	High pressure relief valve, 480 bar	1
	QL300	05-18		11004709	Pressure limiter, adjustable, left hand rotation pump	1
	QL400	05-18		11004709	Pressure limiter, adjustable, right hand rotation pump	1
L44	L100	05-18		141066	High pressure relief valve, 480 bar	1
	QL300	05-18		11004709	Pressure limiter, adjustable, left hand rotation pump	1
	QL400	05-18		11004709	Pressure limiter, adjustable, right hand rotation pump	1
L45	L100	05-18		141066	High pressure relief valve, 480 bar	1
	QL300	05-18		11004709	Pressure limiter, adjustable, left hand rotation pump	1
	QL400	05-18		11004709	Pressure limiter, adjustable, right hand rotation pump	1
L46	L100	05-18		141067	High pressure relief valve, 510 bar	1
	QL300	05-18		11004709	Pressure limiter, adjustable, left hand rotation pump	1
	QL400	05-18		11004709	Pressure limiter, adjustable, right hand rotation pump	1
L47	L100	05-18		141067	High pressure relief valve, 510 bar	1
	QL300	05-18		11004709	Pressure limiter, adjustable, left hand rotation pump	1
	QL400	05-18		11004709	Pressure limiter, adjustable, right hand rotation pump	1
L48	L100	05-18		141067	High pressure relief valve, 510 bar	1
	QL300	05-18		11004709	Pressure limiter, adjustable, left hand rotation pump	1
	QL400	05-18		11004709	Pressure limiter, adjustable, right hand rotation pump	1



Enlarged **bold** type item numbers are recommended part to stock for servicing.

HIGH PRESSURE SETTING, PORT B

Order Code	Item	Date Begin	Date End	Part Number	Part Name	Qty. per Model/Kit
all	L022	05-18		504207	O-ring	1
	L060	05-18		365023	O-ring	1
	L068	05-18		011395 (9004104-0230)	O-ring	1
K20	L200	05-18		141058	High pressure relief valve, 200 bar	1
	L300	05-18		11002302	Pressure limiter plug, right hand rotation pump	1
	L400	05-18		11002302	Pressure limiter plug, left hand rotation pump	1
K23	L200	05-18		11002621	High pressure relief valve, 230 bar	1
	L300	05-18		11002302	Pressure limiter plug, right hand rotation pump	1
	L400	05-18		11002302	Pressure limiter plug, left hand rotation pump	1
K25	L200	05-18		141059	High pressure relief valve, 250 bar	1
	L300	05-18		11002302	Pressure limiter plug, right hand rotation pump	1
	L400	05-18		11002302	Pressure limiter plug, left hand rotation pump	1
K28	L200	05-18		11002622	High pressure relief valve, 280 bar	1
	L300	05-18		11002302	Pressure limiter plug, right hand rotation pump	1
	L400	05-18		11002302	Pressure limiter plug, left hand rotation pump	1
K30	L200	05-18		141060	High pressure relief valve, 300 bar	1
	L300	05-18		11002302	Pressure limiter plug, right hand rotation pump	1
	L400	05-18		11002302	Pressure limiter plug, left hand rotation pump	1
K33	L200	05-18		11002623	High pressure relief valve, 330 bar	1
	L300	05-18		11002302	Pressure limiter plug, right hand rotation pump	1
	L400	05-18		11002302	Pressure limiter plug, left hand rotation pump	1
K35	L200	05-18		141061	High pressure relief valve, 350 bar	1
	L300	05-18		11002302	Pressure limiter plug, right hand rotation pump	1
	L400	05-18		11002302	Pressure limiter plug, left hand rotation pump	1
K38	L200	05-18		11002624	High pressure relief valve, 380 bar	1
	L300	05-18		11002302	Pressure limiter plug, right hand rotation pump	1
	L400	05-18		11002302	Pressure limiter plug, left hand rotation pump	1
K40	L200	05-18		141063	High pressure relief valve, 400 bar	1
	L300	05-18		11002302	Pressure limiter plug, right hand rotation pump	1
	L400	05-18		11002302	Pressure limiter plug, left hand rotation pump	1
K42	L200	05-18		141064	High pressure relief valve, 420 bar	1
	L300	05-18		11002302	Pressure limiter plug, right hand rotation pump	1
	L400	05-18		11002302	Pressure limiter plug, left hand rotation pump	1
K45	L200	05-18		141065	High pressure relief valve, 450 bar	1
	L300	05-18		11002302	Pressure limiter plug, right hand rotation pump	1
	L400	05-18		11002302	Pressure limiter plug, left hand rotation pump	1

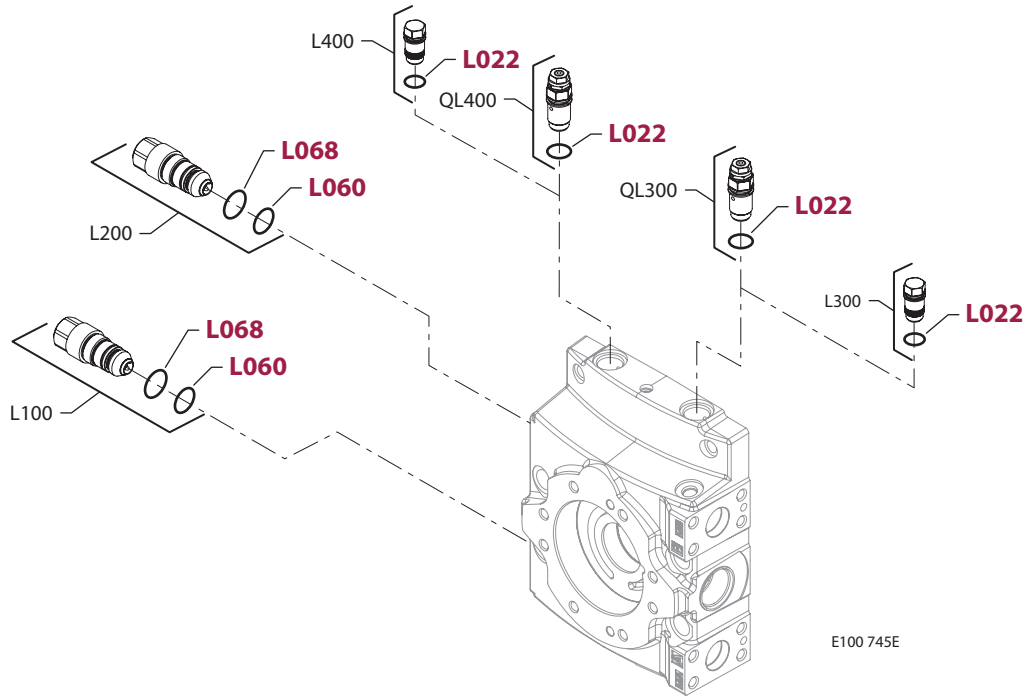


E100 757E

Enlarged **bold** type item numbers are recommended part to stock for servicing.

HIGH PRESSURE SETTING, PORT B

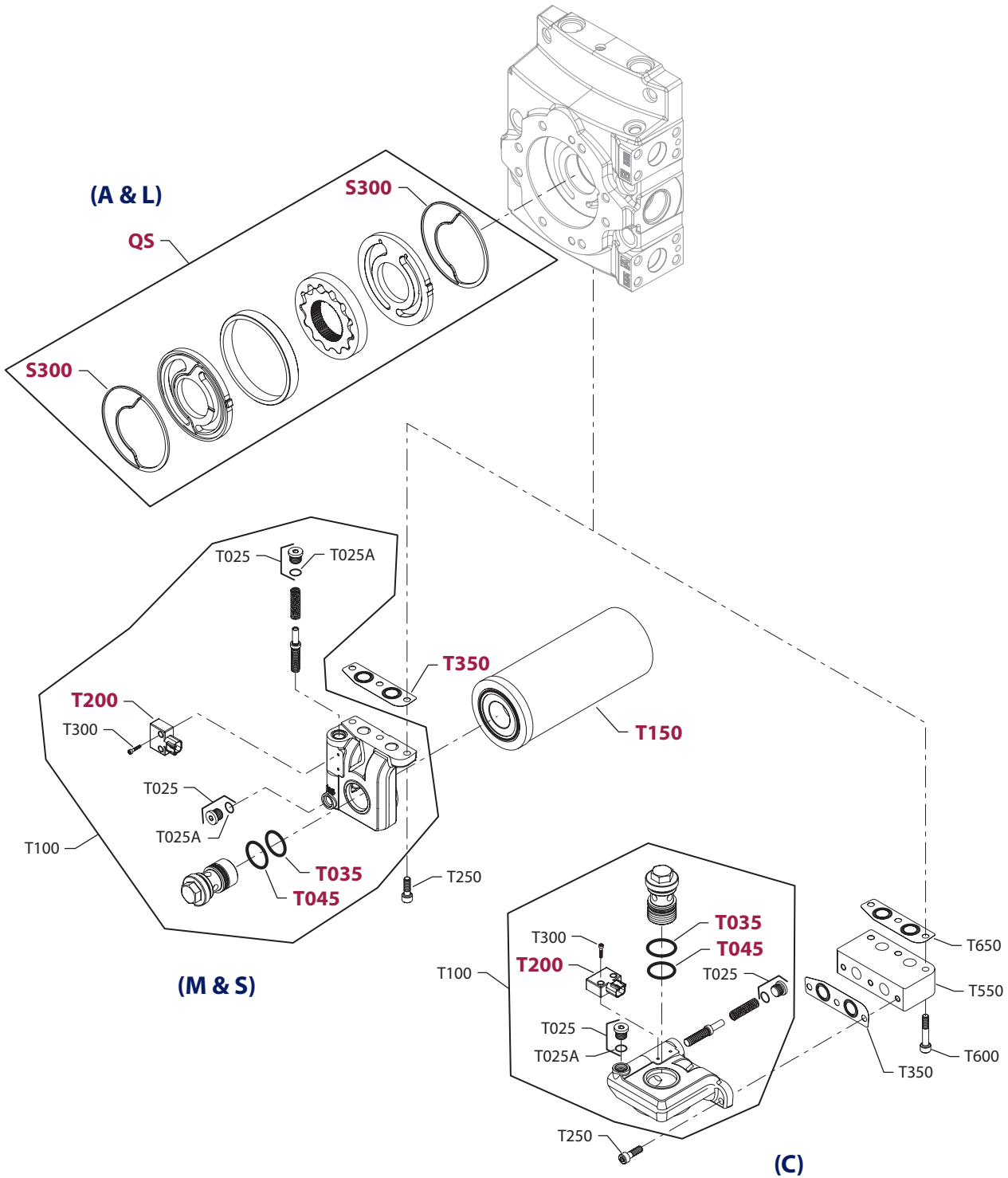
Order Code	Item	Date Begin	Date End	Part Number	Part Name	Qty. per Model/Kit
all	L022	05-18		504207	O-ring	1
	L060	05-18		365023	O-ring	1
	L068	05-18		011395 (9004104-0230)	O-ring	1
K48	L200	05-18		141066	High pressure relief valve, 480 bar	1
	L300	05-18		11002302	Pressure limiter plug, right hand rotation pump	1
	L400	05-18		11002302	Pressure limiter plug, left hand rotation pump	1
KDB	L200	05-18		141064	High pressure relief valve, 420 bar	1
	L300	05-18		513443	Plug assembly, right hand rotation pump	1
	L300A	05-18		5000463	O-ring	1
L15	L200	05-18		141058	High pressure relief valve, 200 bar	1
	QL300	05-18		11004709	Pressure limiter, adjustable, right hand rotation pump	1
	QL400	05-18		11004709	Pressure limiter, adjustable, left hand rotation pump	1
L18	L200	05-18		11002621	High pressure relief valve, 230 bar	1
	QL300	05-18		11004709	Pressure limiter, adjustable, right hand rotation pump	1
	QL400	05-18		11004709	Pressure limiter, adjustable, left hand rotation pump	1
L20	L200	05-18		141059	High pressure relief valve, 250 bar	1
	QL300	05-18		11004709	Pressure limiter, adjustable, right hand rotation pump	1
	QL400	05-18		11004709	Pressure limiter, adjustable, left hand rotation pump	1
L23	L200	05-18		11002622	High pressure relief valve, 280 bar	1
	QL300	05-18		11004709	Pressure limiter, adjustable, right hand rotation pump	1
	QL400	05-18		11004709	Pressure limiter, adjustable, left hand rotation pump	1
L25	L200	05-18		141060	High pressure relief valve, 300 bar	1
	QL300	05-18		11004709	Pressure limiter, adjustable, right hand rotation pump	1
	QL400	05-18		11004709	Pressure limiter, adjustable, left hand rotation pump	1
L28	L200	05-18		11002623	High pressure relief valve, 330 bar	1
	QL300	05-18		11004709	Pressure limiter, adjustable, right hand rotation pump	1
	QL400	05-18		11004709	Pressure limiter, adjustable, left hand rotation pump	1
L30	L200	05-18		141061	High pressure relief valve, 350 bar	1
	QL300	05-18		11004709	Pressure limiter, adjustable, right hand rotation pump	1
	QL400	05-18		11004709	Pressure limiter, adjustable, left hand rotation pump	1
L33	L200	05-18		11002624	High pressure relief valve, 380 bar	1
	QL300	05-18		11004709	Pressure limiter, adjustable, right hand rotation pump	1
	QL400	05-18		11004709	Pressure limiter, adjustable, left hand rotation pump	1
L35	L200	05-18		141063	High pressure relief valve, 400 bar	1
	QL300	05-18		11004709	Pressure limiter, adjustable, right hand rotation pump	1
	QL400	05-18		11004709	Pressure limiter, adjustable, left hand rotation pump	1



Enlarged **bold** type item numbers are recommended part to stock for servicing.

HIGH PRESSURE SETTING, PORT B

Order Code	Item	Date Begin	Date End	Part Number	Part Name	Qty. per Model/Kit
all	L022	05-18		504207	O-ring	1
	L060	05-18		365023	O-ring	1
	L068	05-18		011395 (9004104-0230)	O-ring	1
L38	L200	05-18		141064	High pressure relief valve, 420 bar	1
	QL300	05-18		11004709	Pressure limiter, adjustable, right hand rotation pump	1
	QL400	05-18		11004709	Pressure limiter, adjustable, left hand rotation pump	1
L40	L200	05-18		141065	High pressure relief valve, 450 bar	1
	QL300	05-18		11004709	Pressure limiter, adjustable, right hand rotation pump	1
	QL400	05-18		11004709	Pressure limiter, adjustable, left hand rotation pump	1
L41	L200	05-18		141065	High pressure relief valve, 450 bar	1
	QL300	05-18		11004709	Pressure limiter, adjustable, right hand rotation pump	1
	QL400	05-18		11004709	Pressure limiter, adjustable, left hand rotation pump	1
L42	L200	05-18		141065	High pressure relief valve, 450 bar	1
	QL300	05-18		11004709	Pressure limiter, adjustable, right hand rotation pump	1
	QL400	05-18		11004709	Pressure limiter, adjustable, left hand rotation pump	1
L43	L200	05-18		141066	High pressure relief valve, 480 bar	1
	QL300	05-18		11004709	Pressure limiter, adjustable, right hand rotation pump	1
	QL400	05-18		11004709	Pressure limiter, adjustable, left hand rotation pump	1
L44	L200	05-18		141066	High pressure relief valve, 480 bar	1
	QL300	05-18		11004709	Pressure limiter, adjustable, right hand rotation pump	1
	QL400	05-18		11004709	Pressure limiter, adjustable, left hand rotation pump	1
L45	L200	05-18		141066	High pressure relief valve, 480 bar	1
	QL300	05-18		11004709	Pressure limiter, adjustable, right hand rotation pump	1
	QL400	05-18		11004709	Pressure limiter, adjustable, left hand rotation pump	1
L46	L200	05-18		141067	High pressure relief valve, 510 bar	1
	QL300	05-18		11004709	Pressure limiter, adjustable, right hand rotation pump	1
	QL400	05-18		11004709	Pressure limiter, adjustable, left hand rotation pump	1
L47	L200	05-18		141067	High pressure relief valve, 510 bar	1
	QL300	05-18		11004709	Pressure limiter, adjustable, right hand rotation pump	1
	QL400	05-18		11004709	Pressure limiter, adjustable, left hand rotation pump	1
L48	L200	05-18		141067	High pressure relief valve, 510 bar	1
	QL300	05-18		11004709	Pressure limiter, adjustable, right hand rotation pump	1
	QL400	05-18		11004709	Pressure limiter, adjustable, left hand rotation pump	1



E100 744E

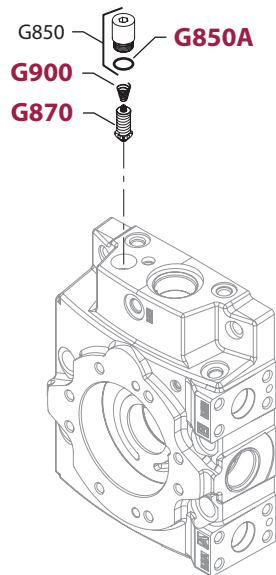
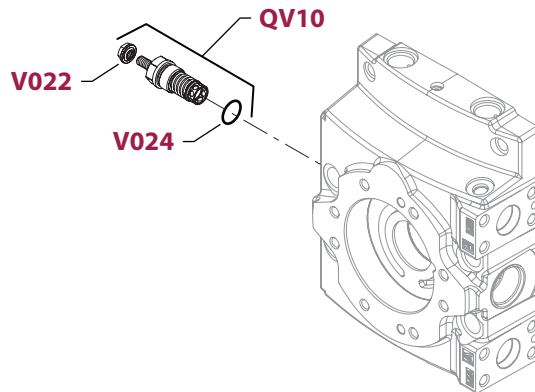
Enlarged **bold** type item numbers are recommended part to stock for servicing.

CHARGE PUMP

Order Code	Item	Date Begin	Date End	Part Number	Part Name	Qty. per Model/Kit
A	QS	05-18		11004702	Charge pump kit, 26 cc	1
	S300	06-19		11008462	Seal ring	2
L	QS	05-18		11004704	Charge pump kit, 34 cc	1
	S300	06-19		11008462	Seal ring	2

FILTRATION

C	T025	05-18		141269	Plug assembly	2
	T025A	05-18		085043 (9004201-3700)	O-ring	2
	T035	05-18		761148 (9004100-0260)	O-ring	1
	T045	05-18		314500 (9004100-1250)	O-ring	1
	T100	05-18		140736	Pressure filter adapter assembly	1
	T200	05-18		11031852	Filtration sensor (SB-2007-052)	1
	T250	05-18		065201	Screw	3
	T300	05-18		140560	Screw	2
	T350	05-18		140737	Filter adapter gasket	1
	T550	07-25		11008273	Adapter plate	1
	T600	07-25		376624	Screw	3
T650	07-25		140737	Gasket	1	
L		05-18		None		
M	T025	05-18		141269	Plug assembly	2
	T025A	05-18		085043 (9004201-3700)	O-ring	2
	T035	05-18		761148 (9004100-0260)	O-ring	1
	T045	05-18		314500 (9004100-1250)	O-ring	1
	T100	05-18		140736	Pressure filter adapter assembly	1
	T150	05-18		11004921	Filter assembly	1
	T200	05-18		11031852	Filtration sensor (SB-2007-052)	1
	T250	05-18		065201	Screw	3
	T300	05-18		140560	Screw	2
	T350	05-18		140737	Filter adapter gasket	1
	P		05-18		None	
S	T025	05-18		141269	Plug assembly	2
	T025A	05-18		085043 (9004201-3700)	O-ring	2
	T035	05-18		761148 (9004100-0260)	O-ring	1
	T045	05-18		314500 (9004100-1250)	O-ring	1
	T100	05-18		11000745	Pressure filter adapter assembly	1
	T150	05-18		11004921	Filter assembly	1
	T200	05-18		11031853	Filtration sensor (SB-2007-052)	1
	T250	05-18		065201	Screw	3
	T300	05-18		140560	Screw	2
	T350	05-18		140737	Filter adapter gasket	1



E100 758E

Enlarged **bold** type item numbers are recommended part to stock for servicing.

CHARGE PRESSURE RELIEF

Order Code	Item	Date Begin	Date End	Part Number	Part Name	Qty. per Model/Kit
18-22	QV10	05-18		11004711	Charge relief valve kit	1
	V022	05-18		612291 (9003508-0008)	Seal nut	1
	V024	05-18		001149 (9004201-6200)	O-ring	1
24-34	QV10	05-18		11017127	Charge relief valve kit	1
	V022	05-18		612291 (9003508-0008)	Seal nut	1
	V024	05-18		001149 (9004201-6200)	O-ring	1

ISL SETTINGS

G14	G850	05-18		3104295	Plug assembly	1
	G850A	05-18		001131 (9004201-5000)	O-ring	1
	G870	05-18		3103375-0140	SCR valve assembly, 140 bar [2030 psi]	1
	G900	05-18		4800780	Spring	1
G18	G850	05-18		3104295	Plug assembly	1
	G850A	05-18		001131 (9004201-5000)	O-ring	1
	G870	05-18		3103375-0175	SCR valve assembly, 175 bar [2538 psi]	1
	G900	05-18		4800780	Spring	1
G21	G850	05-18		3104295	Plug assembly	1
	G850A	05-18		001131 (9004201-5000)	O-ring	1
	G870	05-18		3103375-0210	SCR valve assembly, 210 bar [3045 psi]	1
	G900	05-18		4800780	Spring	1
G23	G850	05-18		3104295	Plug assembly	1
	G850A	05-18		001131 (9004201-5000)	O-ring	1
	G870	05-18		3103375-0230	SCR valve assembly, 230 bar [3335 psi]	1
	G900	05-18		4800780	Spring	1
G25	G850	05-18		3104295	Plug assembly	1
	G850A	05-18		001131 (9004201-5000)	O-ring	1
	G870	05-18		3103375-0250	SCR valve assembly, 250 bar [3625 psi]	1
	G900	05-18		4800780	Spring	1

OVERHAUL SEAL KIT

Order Code	Item	Date Begin	Date End	Part Number	Part Name	Qty. per Model/Kit
		05-18		11000687	Overhaul seal kit	1
	B015A	05-18		001123 (9004201-2500)	O-ring, 8.92 x 1.83, nitrile	2
	B020A	05-18		001156 (9004201-7500)	O-ring, 23.47 x 2.95, nitrile	2
	B035A	05-18		001172 (9004201-9000)	O-ring, 29.74 x 2.95, nitrile	2
	D25A	05-18		11001952	O-ring, 18.00 x 1.50, viton	2
	D055A	05-18		039297 (9004201-1200)	O-ring, 6.07 x 1.63, nitrile	2
	D060			612291 (9003508-0008)	Seal nut	1
	D065A	05-18		001123 (9004201-2500)	O-ring, 8.92 x 1.83, nitrile	1
	D067A	05-18		039297 (9004201-1200)	O-ring, 6.07 x 1.63, nitrile	1
	D080A	05-18		11059551	O-ring, 9.50 x 1.78, nitrile	1
	D150	07-01		140879	Control gasket, H1, 6-screw	1
	D150	05-18	06-52	140722	Control gasket, H1, 5-screw (SB-2006-030)	1
	E025	05-18		140019	Piston seal ring kit	2
	E250	05-18		9004104-1520	O-ring, 82.22 x 2.62, viton	2
	E500	05-18		649822	Seal nut, M14 x 1.5	2
	G150	05-18		140518	End cap gasket	1
	G250A	05-18		085043 (9004201-3700)	O-ring, 11.89 x 1.98, nitrile	1
	G251A	05-18		085043 (9004201-3700)	O-ring, 11.89 x 1.98, nitrile	1
	G300A	05-18		085043 (9004201-3700)	O-ring, 11.89 x 1.98, nitrile	1
	G302A	05-18		039297 (9004201-1200)	O-ring, 6.07 x 1.63, nitrile	2
	J250	07-29		11024711	Lip seal (SB-2008-014)	1
	K150	05-18		140703	Adapter seal	1
	K250	05-18	08-11	327627 (9004104-1540)	O-ring, 94.92 x 2.62, viton (SB-2008-038)	1
	K250	05-18	08-11	9004104-1520	O-ring, 82.22 x 2.62, viton (SB-2008-038)	1
	K250	05-18	08-11	726927	O-ring, 150.00 x 3.00, viton (SB-2008-038)	1
	K250	05-18	08-11	056739 (9004104-1580)	O-ring, 120.32 x 2.62, viton (SB-2008-038)	1
	L022	05-18		504207	O-ring, 20.29 x 2.62, nitrile	2
	L024	05-18		336826	Seal nut, M10 x 1	2
	L060	05-18		365023	O-ring, 23.52 x 1.78, viton	2
	L068	05-18		011395 (9004104-0230)	O-ring, 26.70 x 1.78, viton	2
	S300	05-18		11008462	Seal ring	2
	T025A	05-18		085043 (9004201-3700)	O-ring, 11.89 x 1.98, nitrile	2
	T035	05-18		761148 (9004100-0260)	O-ring, 31.47 x 1.78, nitrile	1
	T045	05-18		314500 (9004100-1250)	O-ring, 32.99 x 2.62, nitrile	1
	T350	05-18		140737	Filter adapter gasket	1
	V022	05-18		612291 (9003508-0008)	Seal nut, M8 x 1, fine thread	1
	V024	05-18		001149 (9004201-6200)	O-ring, 19.18 x 2.46, nitrile	1

PRODUCTS AFFECTED

H1 147 and 165cc pumps

SUBJECT

Control, Servo piston and Housing

DESCRIPTION

As a product improvement, Sauer-Danfoss made changes to the H1 147 and 165cc pumps. The following parts are affected by this change; control, servo piston, and pump housing.

Control: The old control had five mounting screws and the control pilot supply screen was between the pump housing and the end cap. The new control uses six mounting screws and has the supply screen integrated into the control. The new and old controls are not interchangeable. The old control will be available for a period of time.

Pump housing: The old pump housing was designed to accept the original five screw control. The old pump housing was also machined to have the control pilot supply screen in it. The new pump housing was designed to accept the new six mounting screw control. The supply screen has been moved to the control. Also, the new pump housing was changed slightly to accept the new servo piston assembly. The new and old pump housings are not interchangeable. The old pump housing is no longer available for service.

Servo piston assembly: The servo piston assembly has new spring seats. The new servo piston assembly can be used in the new and old housings. The old servo piston assembly can only be used in the old housings. The old servo piston assembly is obsolete and no longer available for service.

Service kit: A service kit has been created to service the older models requiring a new housing. This kit includes; the new control and screws, new pump housing, new servo piston assembly, and a pump overhaul seal kit.

MODELS AFFECTED

All H1 147 and 165cc pumps.

SERIAL NUMBERS

This change became effective at serial number N-07-01-xxxxx.

PART NUMBERS AFFECTED

Description	Old p/n	Replacement kit	Servo piston type
Housing (Class)	11005477	11019991	Nested spring assy.
Housing (standard)	11005069	According to control	Standard assembly
EDC 12V (A2) Kit	11004693	11019987	Standard assembly
EDC 24V (A3) Kit	11004695	11019988	Standard assembly
EDC 12V Mor (A4) Kit	11004697	11019989	Standard assembly
EDC 24V Mor (A5) Kit	11004699	11019990	Standard assembly
EDC 12V Corf (A6) Kit	11004701	11019991	Nested spring assy.

Description	Old part number	New part number
Servo piston assy. (standard)	140500	11005250
Servo piston assy. (nested springs)	11000580	11005249

PARTS DISPOSITION

■ Interchangeable

PRODUCTS AFFECTED

H1 pumps

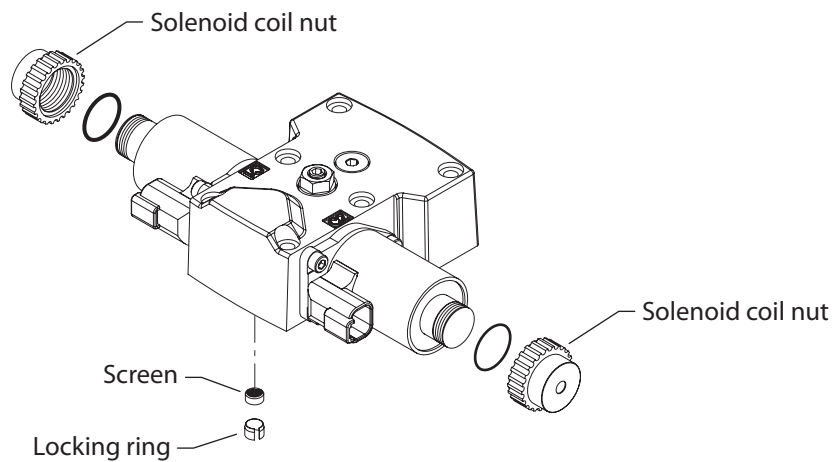
SUBJECT

Control solenoid nut and screen locking ring

DESCRIPTION

As a product improvement, Sauer-Danfoss changed the design of the EDC solenoids to avoid potential corrosion by changing the nut that holds the coil on the solenoid tube. The new nut has a closed cap design, which eliminates the potential of moisture to ingress past the solenoid tube threads. The new EDC and nut are functionally and physically interchangeable in all applications.

A locking ring was also added to the controls. The locking ring will prevent the screen from falling out of the control during installation to the pump. The new locking ring can not be used in older style controls as the port is not drilled deep enough.



MODELS AFFECTED

All H1 147 and 165cc pumps.

SERIAL NUMBERS

Locking ring and solenoid nut.

Option	45/53cc	78cc	147/165cc
A2	08-11-xxxxx	07-50-xxxxx	07-50-xxxxx
A3	08-11-xxxxx	07-50-xxxxx	07-50-xxxxx
A6	08-11-xxxxx	07-50-xxxxx	07-50-xxxxx
C1		07-39-xxxxx	07-39-xxxxx

Locking ring only

Option	45/53cc	78cc	147/165cc
A4	08-11-xxxxx	08-16-xxxxx	08-16-xxxxx
A5	08-11-xxxxx	08-16-xxxxx	08-16-xxxxx

PART NUMBERS AFFECTED

Description	Part number
Locking ring	11012505

PARTS DISPOSITION

- Interchangeable
- Use parts in stock

PRODUCTS AFFECTED

H1 pumps

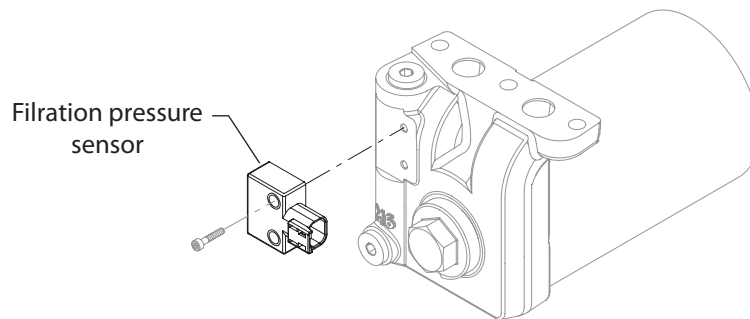
SUBJECT

Filtration pressure sensor

DESCRIPTION

As a product improvement, Sauer-Danfoss has changed the filtration pressure sensor.

The new filtration pressure sensor is completely interchangeable with the old sensor. The old sensor will be obsoleted when all inventory has been exhausted.



MODELS AFFECTED

All H1 pumps with 'M' or 'S' filtration option.

SERIAL NUMBERS

This change became effective at serial number N-07-43-xxxxx.

PART NUMBERS AFFECTED

Description/Option	Old part number	New part number
Sensor/M	140355	11031852
Sensor/S	11000357	11031853

PARTS DISPOSITION

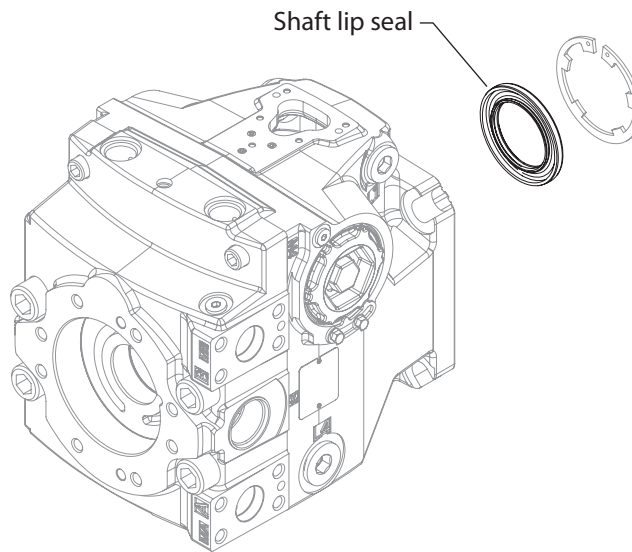
- Interchangeable
- Use parts in stock

PRODUCTS AFFECTED H1 147 and 165cc pumps

SUBJECT Shaft lip seal

DESCRIPTION Sauer-Danfoss has changed the design of the shaft lip seal used on the H1 147 and 165cc pumps. The new design is a more robust seal.

The new seal is completely interchangeable with the old seal.



MODELS AFFECTED All H1 147 and 165cc pumps.

SERIAL NUMBERS This change became effective at serial number N-08-09-xxxxx.

PART NUMBERS AFFECTED

Description	Old part number	New part number
Lip seal	140093	11024711

PARTS DISPOSITION ■ Interchangeable

PRODUCTS AFFECTED

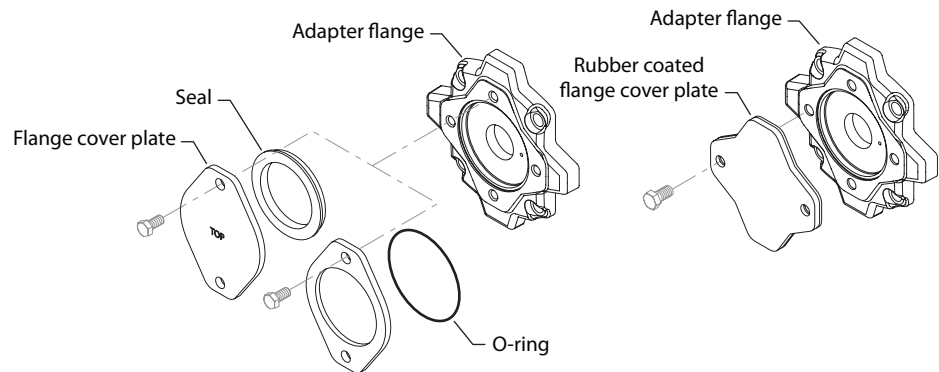
H1 pumps

SUBJECT

Rubber coated auxiliary flange cover

DESCRIPTION

Sauer-Danfoss has replaced the H1 pump auxiliary flange cover plate with a new rubber coated plate for all auxiliary flanges. The O-ring or donut style seal is no longer needed. The adapter flange interface to the auxiliary pump did not change, making this an interchangeable change. The new rubber coated cover plate can not be used as a running cover, if an auxiliary pump is not installed. The old cover and seal will need to be used for a running cover.



MODELS AFFECTED

All H1 pumps.

SERIAL NUMBERS

Pad type	45/53cc	78cc	147/165cc
A	A-08-33-xxxxx	N-07-32-xxxxx	N-08-12-xxxxx
B	A-08-33-xxxxx	N-08-36-xxxxx	N-08-36-xxxxx
C	N/A	N-08-36-xxxxx	N-08-36-xxxxx
D	N/A	N/A	N-08-36-xxxxx

PART NUMBERS AFFECTED

Pump size	Pad type	Description	Old part number	New part number
45 and 53 cc	A	Cover plate	4460586	11017125
		Seal	4800482	
78 cc	A	Cover plate	9802336	11017125
		O-ring	9004104-1520	
147 and 165 cc	A	Cover plate	9802336	11017125
		O-ring	9004104-1520	
45 and 53 cc	B	Cover plate	8801059	11023746
		Seal	8801061	
78 cc	B	Cover plate	4460370	11023746
		O-ring	9004104-1540	
147 and 165 cc	B	Cover plate	4460370	11023747
		O-ring	9004104-1540	
45 and 53 cc	C	Cover plate	8800406	11023750
		O-ring	9004104-1580	
78 cc	C	Cover plate	8800406	11023748
		O-ring	9004104-1580	
147 and 165 cc	D	Cover plate	338400	11023751
		O-ring	726927	

PARTS DISPOSITION

■ Interchangeable



Our Products

Open circuit axial piston pumps
Gear pumps and motors
Fan drive systems
Closed circuit axial piston pumps and motors
Bent axis motors
Hydrostatic transmissions
Transit mixer drives
Hydrostatic transaxles
Electrohydraulics
Integrated systems
Microcontrollers and software
PLUS+1™ GUIDE
Displays
Joysticks and control handles
Sensors
Orbital motors
Inverters
Electrohydraulic power steering
Hydraulic power steering
Hydraulic integrated circuits (HIC)
Cartridge valves
Directional spool valves
Proportional valves

SAUER-DANFOSS MOBILE POWER AND CONTROL SYSTEMS – MARKET LEADERS WORLDWIDE

Sauer-Danfoss is a comprehensive supplier providing complete systems to the global mobile market.

Sauer-Danfoss serves markets such as agriculture, construction, road building, material handling, municipal, forestry, turf care, and many others.

We offer our customers optimum solutions for their needs and develop new products and systems in close cooperation and partnership with them.

Sauer-Danfoss specializes in integrating a full range of system components to provide vehicle designers with the most advanced total system design.

Sauer-Danfoss provides comprehensive worldwide service for its products through an extensive network of Global Service Partners strategically located in all parts of the world.

Local address:

Sauer-Danfoss (US) Company
2800 East 13th Street
Ames, IA 50010, USA
Phone: +1 515 239-6000
Fax: +1 515 239 6618

Sauer-Danfoss GmbH & Co. OHG
Postfach 2460, D-24531 Neumünster
Krokamp 35, D-24539 Neumünster, Germany
Phone: +49 4321 871-0
Fax: +49 4321 871 122

Sauer-Danfoss ApS
DK-6430 Nordborg, Denmark
Phone: +45 7488 4444
Fax: +45 7488 4400

Sauer-Danfoss-Daikin LTD
Sannomiya Grand Bldg. 8F
2-2-21 Isogami-dori, Chuo-ku
Kobe, Hyogo 651-0086, Japan
Phone: +81 78 231 5001
Fax: +81 78 231 5004