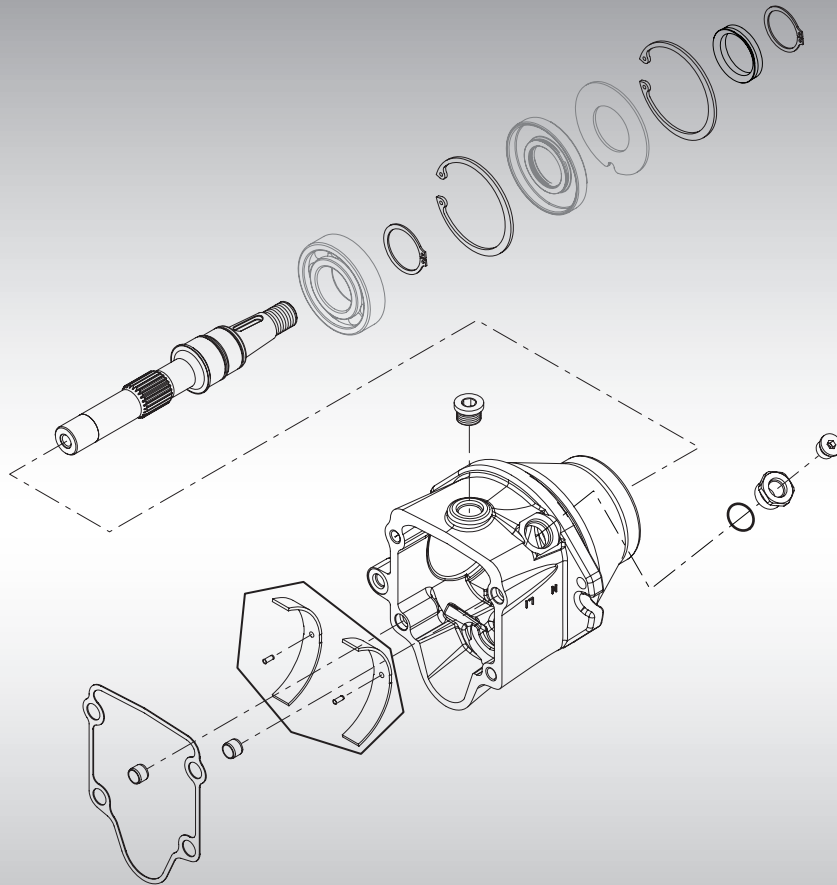




Parts Manual

K and L Frame Reverse Displacement Motor, Cartridge







Contents

General information	Service parts identification.....	5
	Nameplate	5
	Date code	6
	Service bulletins.....	6
	Procedure to identify a part.....	6
	Adobe Acrobat 2-page viewing.....	6
KM	Order code, KM.....	7
	Common parts	8-9
	Displacement.....	8-9
	Shaft	10-11
	Porting/valves/control.....	12-49
	Reverse displacement.....	50-51
	Housing.....	50-53
	Forward displacement.....	53
	Special hardware	54-55
	Overhaul seal kit.....	55
LM	Order code, LM.....	57
	Common parts	58-59
	Displacement.....	58-61
	Shaft	60-61
	Porting/valves/control.....	62-99
	Reverse displacement.....	100-101
	Housing.....	100-103
	Foreward displacement	102-103
	Special hardware	104-105
	Overhaul seal kit.....	105
Service Bulletin	SB-2016-044 (swashplate, housing and swashplate bearing).....	106



General information

Service parts identification

The following information and procedure is used to identify the module group, item number, manufacture date, part number, and part name of the parts included in the K and L frame reverse displacement motors.

The parts listed include all parts which may be used when performing either “Minor Repairs”, “Major Repairs” or “Conversions” on the K and L frame reverse displacement motors.

Nameplate

Each unit will have a nameplate affixed to the housing. The nameplate will include the following information.

Model Code

The Danfoss model code completely defines the specific unit and must be used when ordering parts to service this product.

Model Number

The Danfoss model number is used by the factory in manufacturing. On repeat orders, a complete unit can be ordered by the model number.

Serial Number

The Danfoss serial number is used to identify the manufacture date and the unit sequence in the build. The serial number is also used to identify the units warranty time period.

The letter code indicates the location of original manufacture (assembly). “A” indicates the unit was originally assembled in Ames, Iowa, U.S.A.

The first number (2 digits) indicates the year of manufacture. (“01” would indicate the unit was manufactured in 2001)

The second number (2 digits) indicates the calendar week of manufacture.

The third number (5 digits) is a sequential number used to identify a specific unit.





General information

Date code

The date code is defined as the year and week of manufacture. The same item number may list more than one part number. This indicates that there is more than one configuration for that item number. You will see that there are different date codes for the different part numbers. Find the date code of your unit from the nameplate to determine which service part number you need to order.

EXAMPLE: The service part desired is Item B003.

Order Code	Item	Date Begin	Date End	Part Number	Part Name	Usage
C	B003	00-02		9004104-0100	O-ring (SB-1999-056)	1
	B003	99-16	00-01	9004104-1080	O-ring	1

All units using this order code with a date code of 99-16 and up to and including 00-01, must use part number "9004104-1080". All units with a date code of 00-02 and newer must use part number "9004104-0100".

Service bulletins

A Service Bulletin Number (SB-____ - ____) may follow the "Part Name" of the part you desire. You must read that Service Bulletin prior to ordering that part. The information contained in these Service Bulletins, as of the print date of this bulletin, are included at the end of this manual. Service Bulletins contain more detailed information such as interchangeability, what additional parts are involved, etc. It is suggested that you add additional Service Bulletins to this manual as you receive them.

Procedure to identify a part

General

The modular design of K and L frame Reverse motors result in a simplified service parts list and part number identification procedure.

The same item numbers are used for same part names on all units within a product type. (Example: The lip seal - Item M003, has the same item number on all motors.)

A part number that has another number following it in parentheses is done to make this a world wide manual. The first number is sold in Germany. The number in parentheses is sold in the United States. (Example: 664524 (9005110-9000), customers would order 9005110-9000 if ordering the part in the United States.)

Example of a part identification

The nameplate on a L frame motor has an Order Code of LM 25CN F RJ1 N18 S N N BG F18 NNB FCR. Use the following procedures to determine the part number of the drive shaft used on this motor.

- 1) Referring to the shaft module in the Order Code (see page 7), the shaft option for this motor is identified by the code "F". (LM 25CN **F** RJ1 N18 S N N BG F18 NNB FCR)
- 2) Referring to the Service Parts List, find the shaft group. Next find the order code that relates to this unit, which is "F". The shaft is found to be item D001 and part number 11160664.

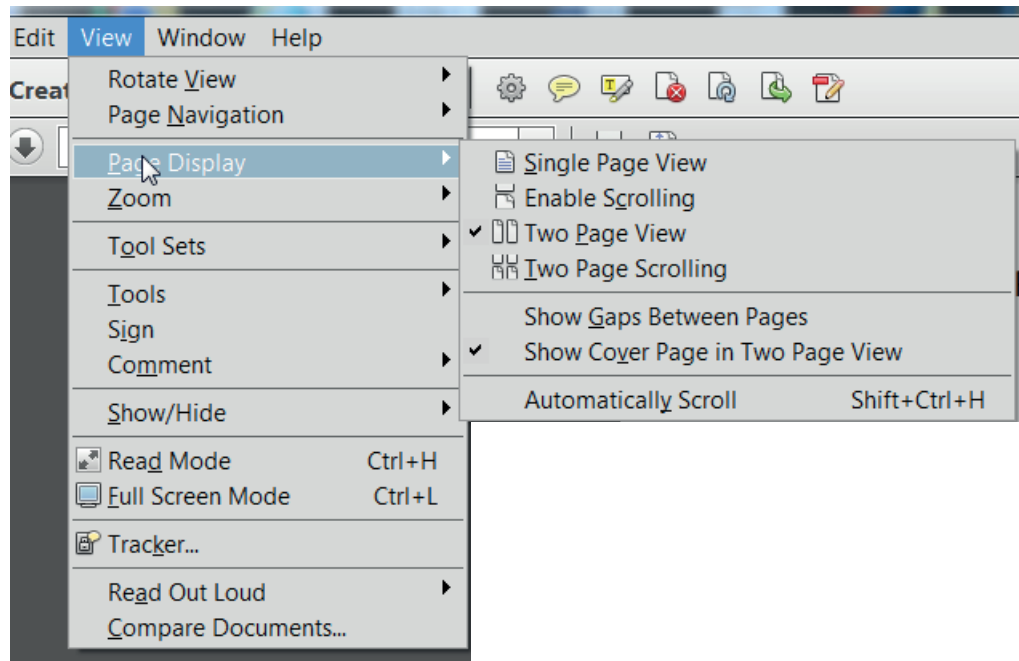


Adobe Acrobat 2-page viewing

Adobe Acrobat 2-page viewing

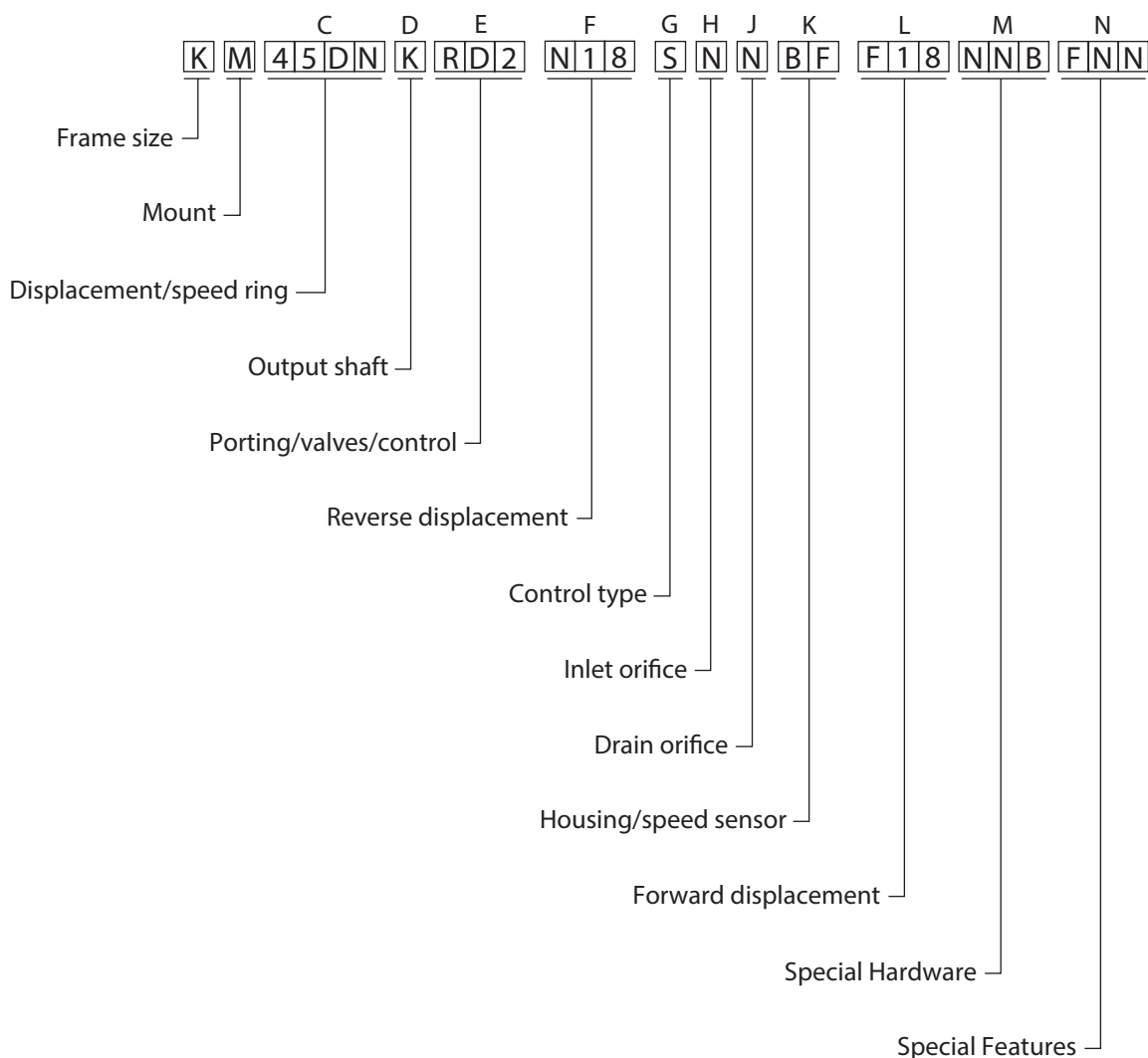
While viewing manual in Adobe Acrobat, the following settings need to be applied to ensure proper page display.

1. Select "View" --> "Page Display" --> "Two Page View"
2. Select "View" --> "Page Display" --> "Show Cover Page in Two Page View"





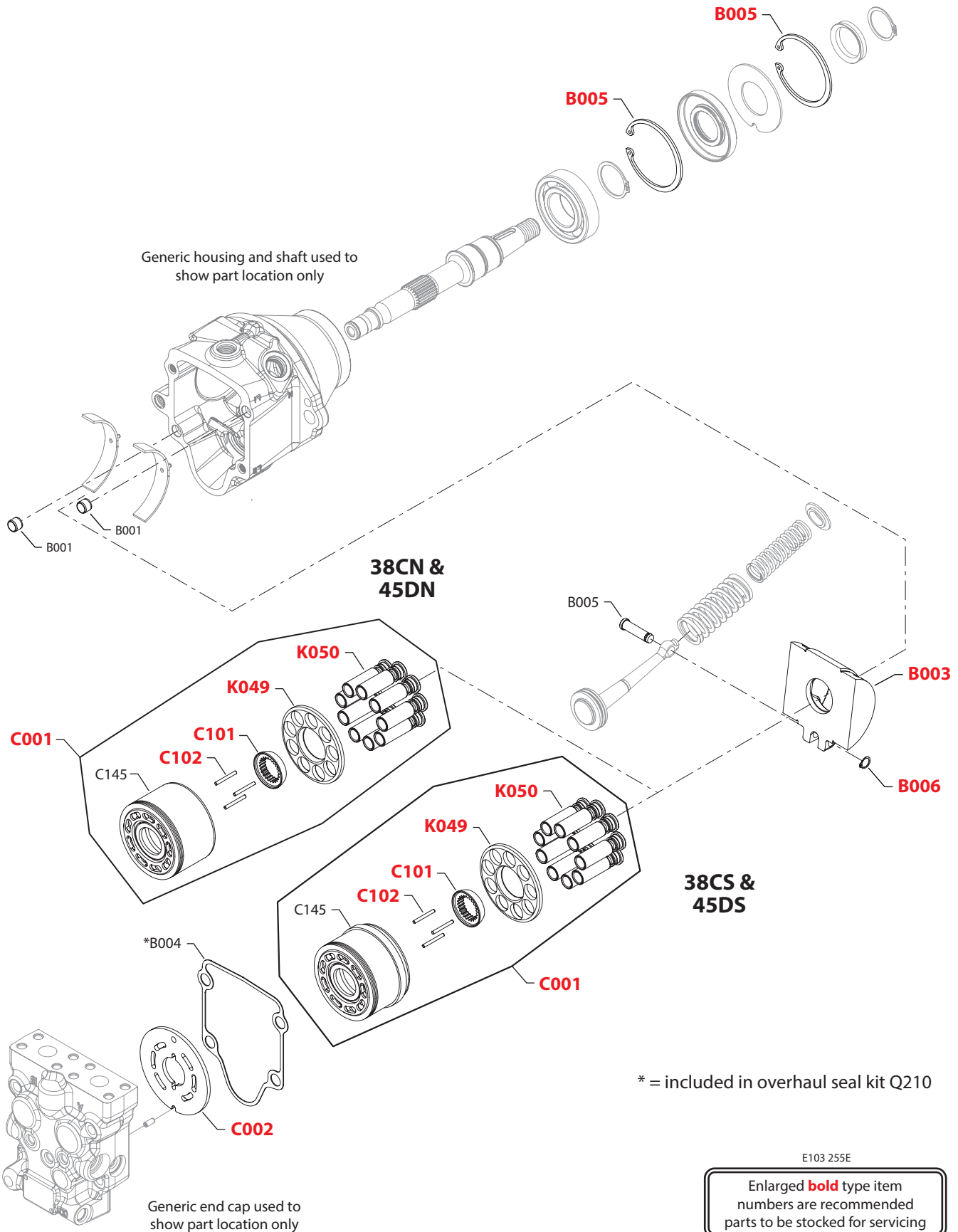
Order code, LM reverse displacement motor



P108 805E



KM reverse displacement motor



E103 255E

Enlarged **bold** type item numbers are recommended parts to be stocked for servicing


KM reverse displacement motor
Common parts

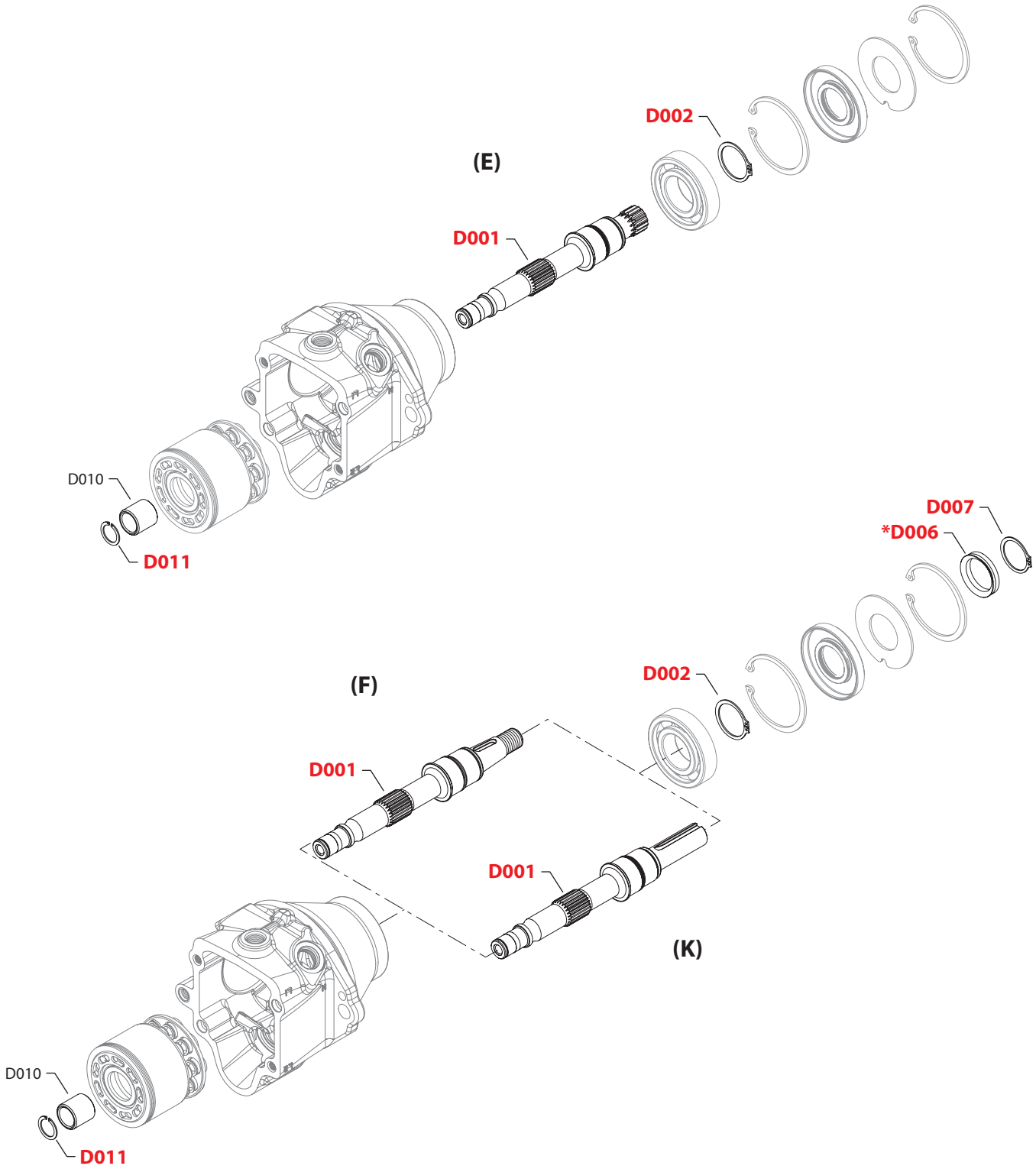
Order code	Item	Date begin	Date end	Part number	Part name	Qty. per model/kit
M	B001	14-48		4400090	Locator pin	2
	B002	14-48		615237 (9006200-0281)	Retaining ring	2
	B003	15-51		11166540	Swashplate	1
	B003	14-48	15-50	4400035	Swashplate (SB-2016-044)	1
	B004	14-48		4400011	Gasket	1
	B005	14-48		4400074	Headed pin	1
	B006	14-48		5000729	Retaining ring	1

Displacement

38CN	C001	14-48		11156812	Cylinder block kit, 38cc	1
	C002	14-48		11152351	Valve plate	1
	C101	14-48		4400077	Slipper retainer guide	1
	C102	14-48		4700091	Slipper holddown pin	3
	C145	14-48		11156826	Cylinder block assembly, 38cc	1
	K049	14-48		4400078	Slipper retainer	1
	K050	14-48		4400040	Piston assembly, 38cc	9
38CS	C001	14-48		11156813	Cylinder block kit, 38cc with speed ring	1
	C002	14-48		11152351	Valve plate	1
	C101	14-48		4400077	Slipper retainer guide	1
	C102	14-48		4700091	Slipper holddown pin	3
	C145	14-48		11156825	Cylinder block assembly, 38cc w/speed ring	1
	K049	14-48		4400078	Slipper retainer	1
	K050	14-48		4400040	Piston assembly, 38cc	9
45DN	C001	14-48		11156814	Cylinder block kit, 45cc	1
	C002	14-48		11152351	Valve plate	1
	C101	14-48		4400077	Slipper retainer guide	1
	C102	14-48		4700091	Slipper holddown pin	3
	C145	14-48		11156823	Cylinder block assembly, 45cc	1
	K049	14-48		4400078	Slipper retainer	1
	K050	14-48		4400041	Piston assembly, 45cc	9
45DS	C001	14-48		11156815	Cylinder block kit, 45cc w/speed ring	1
	C002	14-48		11152351	Valve plate	1
	C101	14-48		4400077	Slipper retainer guide	1
	C102	14-48		4700091	Slipper holddown pin	3
	C145	14-48		11156824	Cylinder block assembly, 45cc w/speed ring	1
	K049	14-48		4400078	Slipper retainer	1
	K050	14-48		4400041	Piston assembly, 45cc	9



KM reverse displacement motor



E103 256E

Enlarged **bold** type item numbers are recommended parts to be stocked for servicing

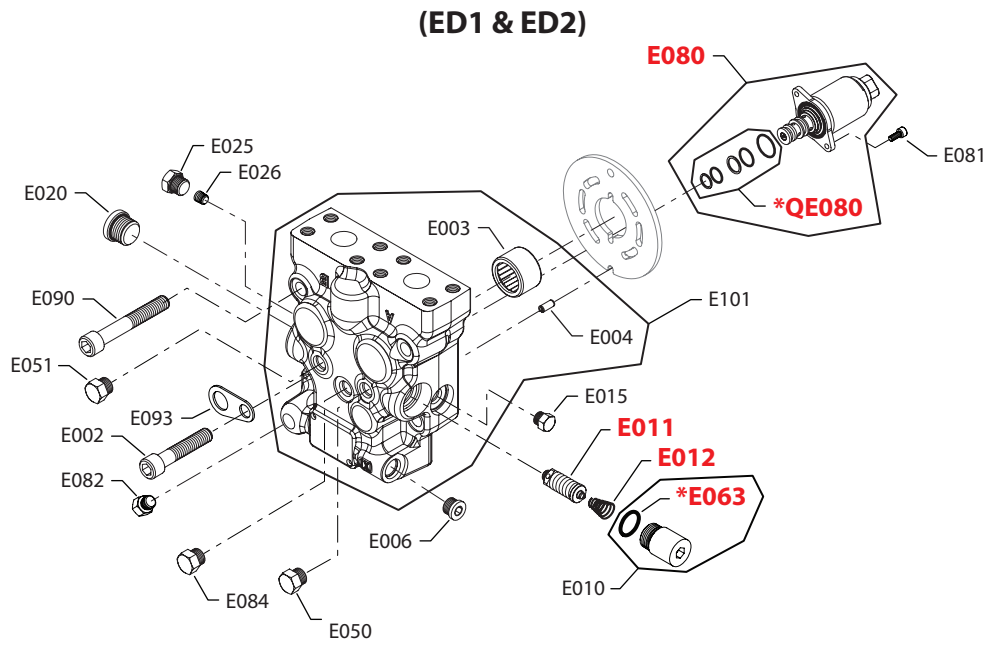
* = included in overhaul seal kit Q210


KM reverse displacement motor
Shaft

Order code	Item	Date begin	Date end	Part number	Part name	Qty. per model/kit
E	D001	14-48		11135786	Shaft, 15 tooth spline	1
	D002	14-48		9006300-0137	Retaining ring	1
	D010	14-48		11144149	Sleeve	1
	D011	14-48		11147557	Retaining ring	1
F	D001	14-48		11160665	Shaft, tapered	1
	D002	14-48		9006300-0137	Retaining ring	1
	D006	14-48		11083450	Shaft dust seal	1
	D007	14-48		5000365	Retaining ring	1
	D010	14-48		11144149	Sleeve	1
	D011	14-48		11147557	Retaining ring	1
K	D001	14-48		11156279	Shaft, straight key	1
	D002	14-48		9006300-0137	Retaining ring	1
	D006	14-48		11083450	Shaft dust seal	1
	D007	14-48		5000365	Retaining ring	1
	D010	14-48		11144149	Sleeve	1
	D011	14-48		11147557	Retaining ring	1



KM reverse displacement motor



* = included in overhaul seal kit Q210

E103 257E

Enlarged **bold** type item numbers are recommended parts to be stocked for servicing

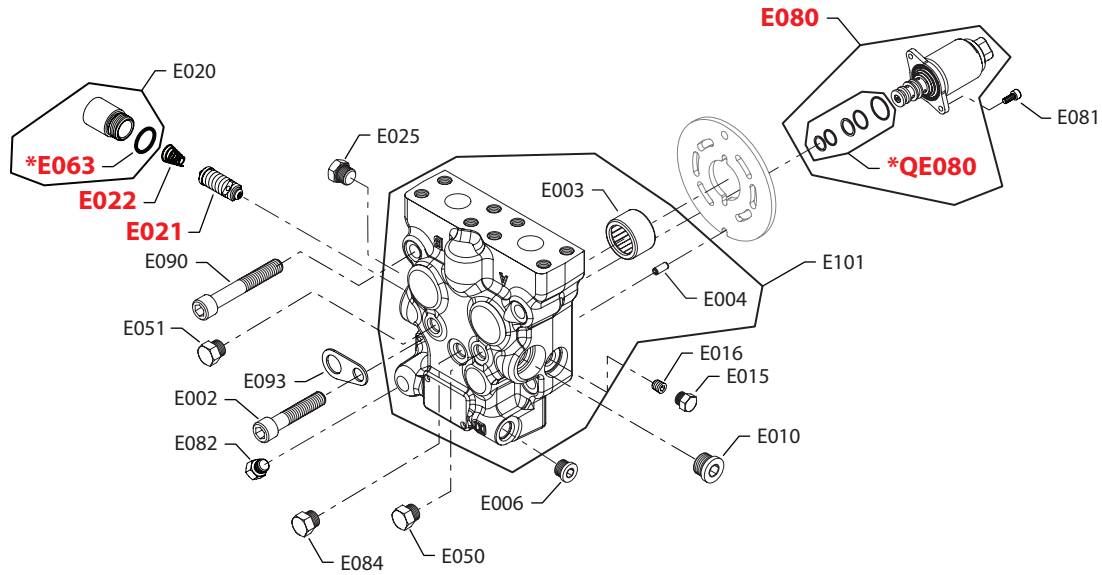

KM reverse displacement motor
Porting/valves/control

Order code	Item	Date begin	Date end	Part number	Part name	Qty. per model/kit
ED1	E002	14-48		680686	Screw	2
	E003	14-48		9001495-0015	Needle bearing	1
	E004	14-48		9004700-1907	Slotted pin	1
	E006	14-48		046151 (9005110-5600)	Plug assembly	1
	E010	14-48		11126727	SCR plug assembly	1
	E011	14-48		3103375-0345	SCR valve assembly, 345 bar [5000 psi]	1
	E012	14-48		4800661	Conical spring	1
	E015	14-48		001511 (9005100-4400)	Plug assembly	1
	E020	14-48		001529 (9005110-7500)	Plug assembly	1
	E025	14-48		001511 (9005100-4400)	Plug assembly	1
	E026	14-48		9005001-0600	Pipe plug	1
	E050	14-48		001511 (9005100-4400)	Plug assembly	1
	E051	14-48		001511 (9005100-4400)	Plug assembly	1
	E063	14-48		001131 (9004201-5000)	O-ring	1
	E080	14-48		11090304	Solenoid valve, 12v	1
	E081	14-48		067694	Screw	2
	E082	14-48		9005100-3700	Plug assembly	1
	E084	14-48		001511 (9005100-4400)	Plug assembly	1
	E090	14-48		5000122	Screw	2
	E093	14-48		11138846	Lifting bracket	1
E101	14-48		11157429	End cap assembly, radial ports	1	
QE080	14-48		11150342	Solenoid seal kit	1	
ED2	E002	14-48		680686	Screw	2
	E003	14-48		9001495-0015	Needle bearing	1
	E004	14-48		9004700-1907	Slotted pin	1
	E006	14-48		046151 (9005110-5600)	Plug assembly	1
	E010	14-48		11126727	SCR plug assembly	1
	E011	14-48		3103375-0345	SCR valve assembly, 345 bar [5000 psi]	1
	E012	14-48		4800661	Conical spring	1
	E015	14-48		001511 (9005100-4400)	Plug assembly	1
	E020	14-48		001529 (9005110-7500)	Plug assembly	1
	E025	14-48		001511 (9005100-4400)	Plug assembly	1
	E026	14-48		9005001-0600	Pipe plug	1
	E050	14-48		001511 (9005100-4400)	Plug assembly	1
	E051	14-48		001511 (9005100-4400)	Plug assembly	1
	E063	14-48		001131 (9004201-5000)	O-ring	1
	E080	14-48		11090306	Solenoid valve, 24v	1
	E081	14-48		067694	Screw	2
	E082	14-48		9005100-3700	Plug assembly	1
	E084	14-48		001511 (9005100-4400)	Plug assembly	1
	E090	14-48		5000122	Screw	2
	E093	14-48		11138846	Lifting bracket	1
E101	14-48		11157429	End cap assembly, radial ports	1	
QE080	14-48		11150342	Solenoid seal kit	1	



KM reverse displacement motor

(EE1 & EE2)



* = included in overhaul seal kit Q210

E103 258E

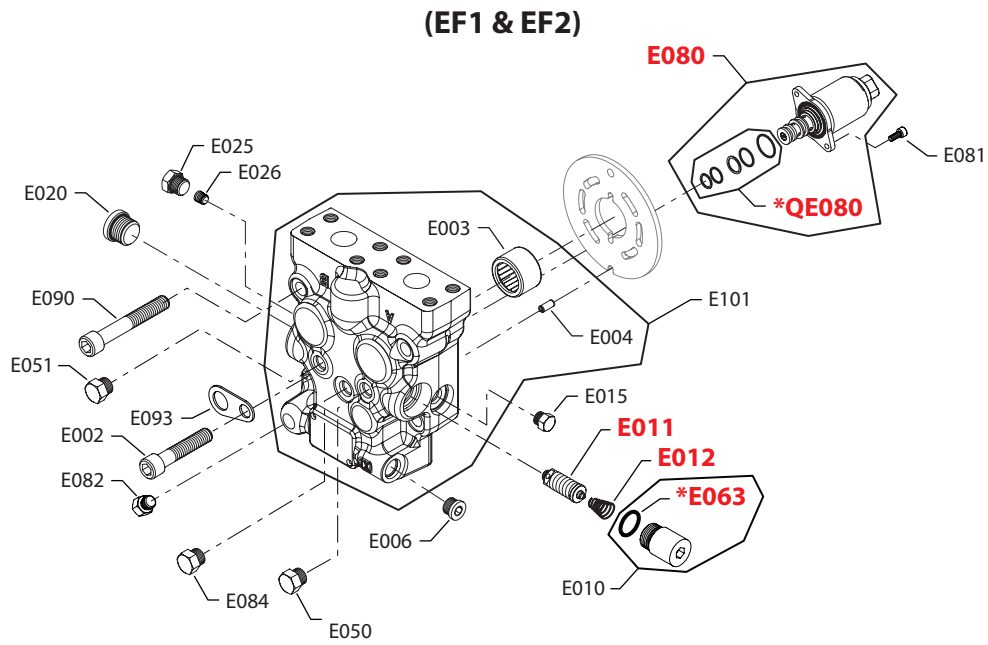
Enlarged **bold** type item numbers are recommended parts to be stocked for servicing


KM reverse displacement motor
Porting/valves/control

Order code	Item	Date begin	Date end	Part number	Part name	Qty. per model/kit
EE1	E002	14-48		680686	Screw	2
	E003	14-48		9001465-0015	Needle bearing	1
	E004	14-48		9004700-1907	Slotted pin	1
	E006	14-48		046151 (9005110-5600)	Plug assembly	1
	E010	14-48		001529 (9005110-7500)	Plug assembly	1
	E015	14-48		001511 (9005100-4400)	Plug assembly	1
	E016	14-48		9005001-0600	Pipe plug	1
	E020	14-48		11126727	SCR plug assembly	1
	E021	14-48		3103375-0345	SCR valve assembly, 345 bar [5000 psi]	1
	E022	14-48		4800661	Conical spring	1
	E025	14-48		001511 (9005100-4400)	Plug assembly	1
	E050	14-48		001511 (9005100-4400)	Plug assembly	1
	E051	14-48		001511 (9005100-4400)	Plug assembly	1
	E063	14-48		001131 (9004201-5000)	O-ring	1
	E080	14-48		11090304	Solenoid valve, 12v	1
	E081	14-48		067694	Screw	2
	E082	14-48		9005100-3700	Plug assembly	1
	E084	14-48		001511 (9005100-4400)	Plug assembly	1
	E090	14-48		5000122	Screw	2
	E093	14-48		11138846	Lifting bracket	1
E101	14-48		11157429	End cap assembly, radial ports	1	
QE080	14-48		11150342	Solenoid seal kit	1	
EE2	E002	14-48		680686	Screw	2
	E003	14-48		9001465-0015	Needle bearing	1
	E004	14-48		9004700-1907	Slotted pin	1
	E006	14-48		046151 (9005110-5600)	Plug assembly	1
	E010	14-48		001529 (9005110-7500)	Plug assembly	1
	E015	14-48		001511 (9005100-4400)	Plug assembly	1
	E016	14-48		9005001-0600	Pipe plug	1
	E020	14-48		11126727	SCR plug assembly	1
	E021	14-48		3103375-0345	SCR valve assembly, 345 bar [5000 psi]	1
	E022	14-48		4800661	Conical spring	1
	E025	14-48		001511 (9005100-4400)	Plug assembly	1
	E050	14-48		001511 (9005100-4400)	Plug assembly	1
	E051	14-48		001511 (9005100-4400)	Plug assembly	1
	E063	14-48		001131 (9004201-5000)	O-ring	1
	E080	14-48		11090306	Solenoid valve, 24v	1
	E081	14-48		067694	Screw	2
	E082	14-48		9005100-3700	Plug assembly	1
	E084	14-48		001511 (9005100-4400)	Plug assembly	1
	E090	14-48		5000122	Screw	2
	E093	14-48		11138846	Lifting bracket	1
E101	14-48		11157429	End cap assembly, radial ports	1	
QE080	14-48		11150342	Solenoid seal kit	1	



KM reverse displacement motor



* = included in overhaul seal kit Q210

E103 257E

Enlarged **bold** type item numbers are recommended parts to be stocked for servicing

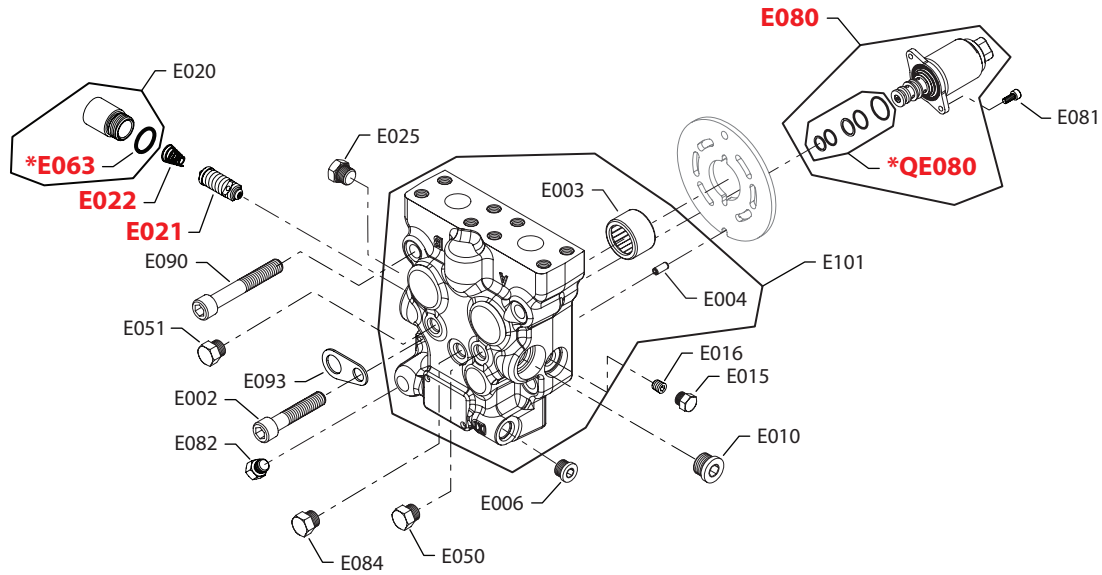

KM reverse displacement motor
Porting/valves/control

Order code	Item	Date begin	Date end	Part number	Part name	Qty. per model/kit
EF1	E002	14-48		680686	Screw	2
	E003	14-48		9001465-0015	Needle bearing	1
	E004	14-48		9004700-1907	Slotted pin	1
	E006	14-48		046151 (9005110-5600)	Plug assembly	1
	E010	14-48		11126727	SCR plug assembly	1
	E011	14-48		3103375-0280	SCR valve assembly, 280 bar [4060 psi]	1
	E012	14-48		4800661	Conical spring	1
	E015	14-48		001511 (9005100-4400)	Plug assembly	1
	E020	14-48		001529 (9005110-7500)	Plug assembly	1
	E025	14-48		001511 (9005100-4400)	Plug assembly	1
	E026	14-48		9005001-0600	Pipe plug	1
	E050	14-48		001511 (9005100-4400)	Plug assembly	1
	E051	14-48		001511 (9005100-4400)	Plug assembly	1
	E063	14-48		001131 (9004201-5000)	O-ring	1
	E080	14-48		11090304	Solenoid valve, 12v	1
	E081	14-48		067694	Screw	2
	E082	14-48		9005100-3700	Plug assembly	1
	E084	14-48		001511 (9005100-4400)	Plug assembly	1
	E090	14-48		5000122	Screw	2
	E093	14-48		11138846	Lifting bracket	1
E101	14-48		11157429	End cap assembly, radial ports	1	
QE080	14-48		11150342	Solenoid seal kit	1	
EF2	E002	14-48		680686	Screw	2
	E003	14-48		9001465-0015	Needle bearing	1
	E004	14-48		9004700-1907	Slotted pin	1
	E006	14-48		046151 (9005110-5600)	Plug assembly	1
	E010	14-48		11126727	SCR plug assembly	1
	E011	14-48		3103375-0280	SCR valve assembly, 280 bar [4060 psi]	1
	E012	14-48		4800661	Conical spring	1
	E015	14-48		001511 (9005100-4400)	Plug assembly	1
	E020	14-48		001529 (9005110-7500)	Plug assembly	1
	E025	14-48		001511 (9005100-4400)	Plug assembly	1
	E026	14-48		9005001-0600	Pipe plug	1
	E050	14-48		001511 (9005100-4400)	Plug assembly	1
	E051	14-48		001511 (9005100-4400)	Plug assembly	1
	E063	14-48		001131 (9004201-5000)	O-ring	1
	E080	14-48		11090306	Solenoid valve, 24v	1
	E081	14-48		067694	Screw	2
	E082	14-48		9005100-3700	Plug assembly	1
	E084	14-48		001511 (9005100-4400)	Plug assembly	1
	E090	14-48		5000122	Screw	2
	E093	14-48		11138846	Lifting bracket	1
E101	14-48		11157429	End cap assembly, radial ports	1	
QE080	14-48		11150342	Solenoid seal kit	1	



KM reverse displacement motor

(EG1 & EG2)



* = included in overhaul seal kit Q210

E103 258E

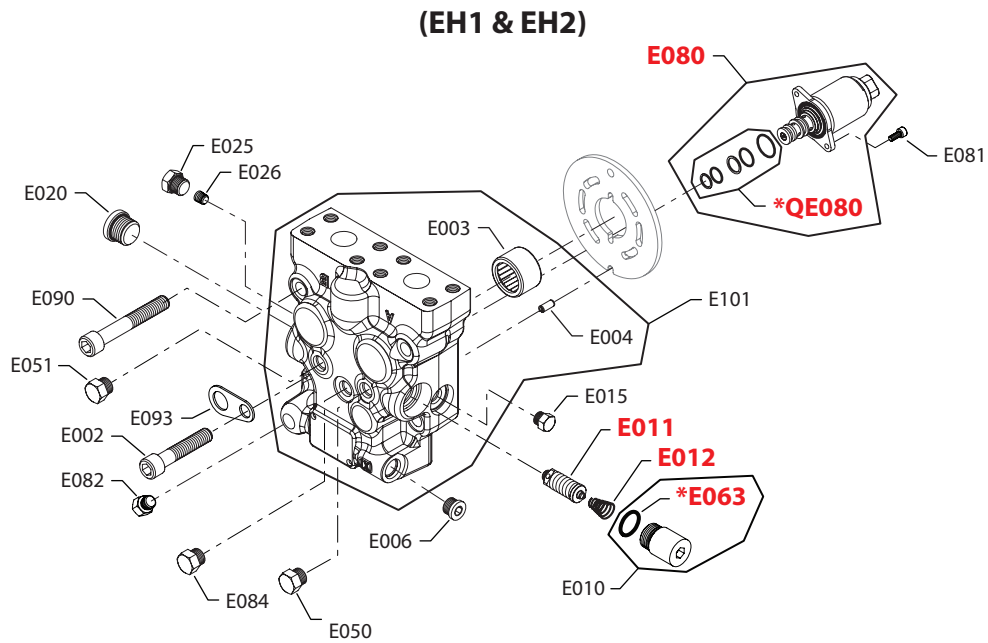
Enlarged **bold** type item numbers are recommended parts to be stocked for servicing


KM reverse displacement motor
Porting/valves/control

Order code	Item	Date begin	Date end	Part number	Part name	Qty. per model/kit
EG1	E002	14-48		680686	Screw	2
	E003	14-48		9001465-0015	Needle bearing	1
	E004	14-48		9004700-1907	Slotted pin	1
	E006	14-48		046151 (9005110-5600)	Plug assembly	1
	E010	14-48		001529 (9005110-7500)	Plug assembly	1
	E015	14-48		001511 (9005100-4400)	Plug assembly	1
	E016	14-48		9005001-0600	Pipe plug	1
	E020	14-48		11126727	SCR plug assembly	1
	E021	14-48		3103375-0280	SCR valve assembly, 280 bar [4060 psi]	1
	E022	14-48		4800661	Conical spring	1
	E025	14-48		001511 (9005100-4400)	Plug assembly	1
	E050	14-48		001511 (9005100-4400)	Plug assembly	1
	E051	14-48		001511 (9005100-4400)	Plug assembly	1
	E063	14-48		001131 (9004201-5000)	O-ring	1
	E080	14-48		11090304	Solenoid valve, 12v	1
	E081	14-48		067694	Screw	2
	E082	14-48		9005100-3700	Plug assembly	1
	E084	14-48		001511 (9005100-4400)	Plug assembly	1
	E090	14-48		5000122	Screw	2
	E093	14-48		11138846	Lifting bracket	1
E101	14-48		11157429	End cap assembly, radial ports	1	
QE080	14-48		11150342	Solenoid seal kit	1	
EG2	E002	14-48		680686	Screw	2
	E003	14-48		9001465-0015	Needle bearing	1
	E004	14-48		9004700-1907	Slotted pin	1
	E006	14-48		046151 (9005110-5600)	Plug assembly	1
	E010	14-48		001529 (9005110-7500)	Plug assembly	1
	E015	14-48		001511 (9005100-4400)	Plug assembly	1
	E016	14-48		9005001-0600	Pipe plug	1
	E020	14-48		11126727	SCR plug assembly	1
	E021	14-48		3103375-0280	SCR valve assembly, 280 bar [4060 psi]	1
	E022	14-48		4800661	Conical spring	1
	E025	14-48		001511 (9005100-4400)	Plug assembly	1
	E050	14-48		001511 (9005100-4400)	Plug assembly	1
	E051	14-48		001511 (9005100-4400)	Plug assembly	1
	E063	14-48		001131 (9004201-5000)	O-ring	1
	E080	14-48		11090306	Solenoid valve, 24v	1
	E081	14-48		067694	Screw	2
	E082	14-48		9005100-3700	Plug assembly	1
	E084	14-48		001511 (9005100-4400)	Plug assembly	1
	E090	14-48		5000122	Screw	2
	E093	14-48		11138846	Lifting bracket	1
E101	14-48		11157429	End cap assembly, radial ports	1	
QE080	14-48		11150342	Solenoid seal kit	1	



KM reverse displacement motor



* = included in overhaul seal kit Q210

E103 257E

Enlarged **bold** type item numbers are recommended parts to be stocked for servicing

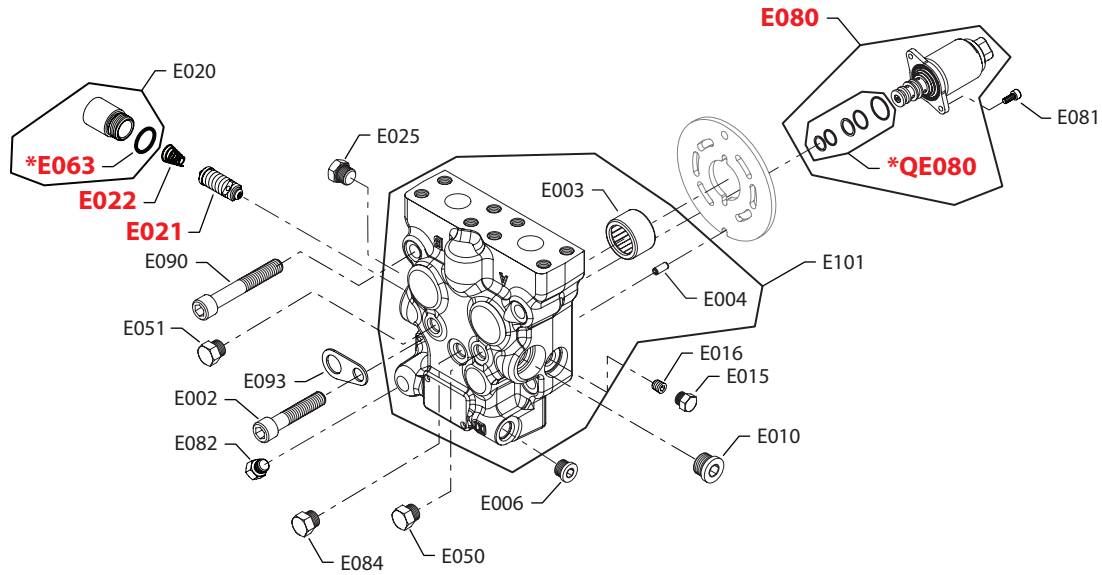

KM reverse displacement motor
Porting/valves/control

Order code	Item	Date begin	Date end	Part number	Part name	Qty. per model/kit
EH1	E002	15-11		680686	Screw	2
	E003	15-11		9001465-0015	Needle bearing	1
	E004	15-11		9004700-1907	Slotted pin	1
	E006	15-11		046151 (9005110-5600)	Plug assembly	1
	E010	15-11		11126727	SCR plug assembly	1
	E011	15-11		3103375-0230	SCR valve assembly, 230 bar [3335 psi]	1
	E012	15-11		4800661	Conical spring	1
	E015	15-11		001511 (9005100-4400)	Plug assembly	1
	E020	15-11		001529 (9005110-7500)	Plug assembly	1
	E025	15-11		001511 (9005100-4400)	Plug assembly	1
	E026	15-11		9005001-0600	Pipe plug	1
	E050	15-11		001511 (9005100-4400)	Plug assembly	1
	E051	15-11		001511 (9005100-4400)	Plug assembly	1
	E063	15-11		001131 (9004201-5000)	O-ring	1
	E080	15-11		11090304	Solenoid valve, 12v	1
	E081	15-11		067694	Screw	2
	E082	15-11		9005100-3700	Plug assembly	1
	E084	15-11		001511 (9005100-4400)	Plug assembly	1
	E090	15-11		5000122	Screw	2
	E093	15-11		11138846	Lifting bracket	1
E101	15-11		11157429	End cap assembly, radial ports	1	
QE080	15-11		11150342	Solenoid seal kit	1	
EH2	E002	15-11		680686	Screw	2
	E003	15-11		9001465-0015	Needle bearing	1
	E004	15-11		9004700-1907	Slotted pin	1
	E006	15-11		046151 (9005110-5600)	Plug assembly	1
	E010	15-11		11126727	SCR plug assembly	1
	E011	15-11		3103375-0230	SCR valve assembly, 230 bar [3335 psi]	1
	E012	15-11		4800661	Conical spring	1
	E015	15-11		001511 (9005100-4400)	Plug assembly	1
	E020	15-11		001529 (9005110-7500)	Plug assembly	1
	E025	15-11		001511 (9005100-4400)	Plug assembly	1
	E026	15-11		9005001-0600	Pipe plug	1
	E050	15-11		001511 (9005100-4400)	Plug assembly	1
	E051	15-11		001511 (9005100-4400)	Plug assembly	1
	E063	15-11		001131 (9004201-5000)	O-ring	1
	E080	15-11		11090306	Solenoid valve, 24v	1
	E081	15-11		067694	Screw	2
	E082	15-11		9005100-3700	Plug assembly	1
	E084	15-11		001511 (9005100-4400)	Plug assembly	1
	E090	15-11		5000122	Screw	2
	E093	15-11		11138846	Lifting bracket	1
E101	15-11		11157429	End cap assembly, radial ports	1	
QE080	15-11		11150342	Solenoid seal kit	1	



KM reverse displacement motor

(E11 & E12)



* = included in overhaul seal kit Q210

E103 258E

Enlarged **bold** type item numbers are recommended parts to be stocked for servicing

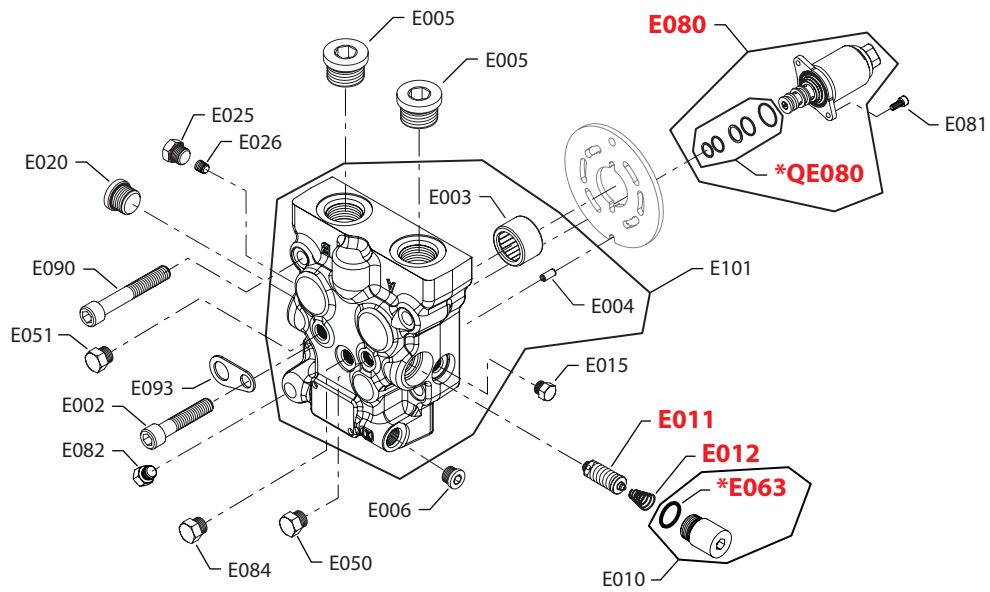

KM reverse displacement motor
Porting/valves/control

Order code	Item	Date begin	Date end	Part number	Part name	Qty. per model/kit
EI1	E002	15-11		680686	Screw	2
	E003	15-11		9001465-0015	Needle bearing	1
	E004	15-11		9004700-1907	Slotted pin	1
	E006	15-11		046151 (9005110-5600)	Plug assembly	1
	E010	15-11		001529 (9005110-7500)	Plug assembly	1
	E015	15-11		001511 (9005100-4400)	Plug assembly	1
	E016	15-11		9005001-0600	Pipe plug	1
	E020	15-11		11126727	SCR plug assembly	1
	E021	15-11		3103375-0230	SCR valve assembly, 230 bar [3335 psi]	1
	E022	15-11		4800661	Conical spring	1
	E025	15-11		001511 (9005100-4400)	Plug assembly	1
	E050	15-11		001511 (9005100-4400)	Plug assembly	1
	E051	15-11		001511 (9005100-4400)	Plug assembly	1
	E063	15-11		001131 (9004201-5000)	O-ring	1
	E080	15-11		11090304	Solenoid valve, 12v	1
	E081	15-11		067694	Screw	2
	E082	15-11		9005100-3700	Plug assembly	1
	E084	15-11		001511 (9005100-4400)	Plug assembly	1
	E090	15-11		5000122	Screw	2
	E093	15-11		11138846	Lifting bracket	1
	E101	15-11		11157429	End cap assembly, radial ports	1
	QE080	15-11		11150342	Solenoid seal kit	1
EI2	E002	15-11		680686	Screw	2
	E003	15-11		9001465-0015	Needle bearing	1
	E004	15-11		9004700-1907	Slotted pin	1
	E006	15-11		046151 (9005110-5600)	Plug assembly	1
	E010	15-11		001529 (9005110-7500)	Plug assembly	1
	E015	15-11		001511 (9005100-4400)	Plug assembly	1
	E016	15-11		9005001-0600	Pipe plug	1
	E020	15-11		11126727	SCR plug assembly	1
	E021	15-11		3103375-0230	SCR valve assembly, 230 bar [3335 psi]	1
	E022	15-11		4800661	Conical spring	1
	E025	15-11		001511 (9005100-4400)	Plug assembly	1
	E050	15-11		001511 (9005100-4400)	Plug assembly	1
	E051	15-11		001511 (9005100-4400)	Plug assembly	1
	E063	15-11		001131 (9004201-5000)	O-ring	1
	E080	15-11		11090306	Solenoid valve, 24v	1
	E081	15-11		067694	Screw	2
	E082	15-11		9005100-3700	Plug assembly	1
	E084	15-11		001511 (9005100-4400)	Plug assembly	1
	E090	15-11		5000122	Screw	2
	E093	15-11		11138846	Lifting bracket	1
	E101	15-11		11157429	End cap assembly, radial ports	1
	QE080	15-11		11150342	Solenoid seal kit	1



KM reverse displacement motor

(MD1 & MD2)



* = included in overhaul seal kit Q210

E103 259E

Enlarged **bold** type item numbers are recommended parts to be stocked for servicing

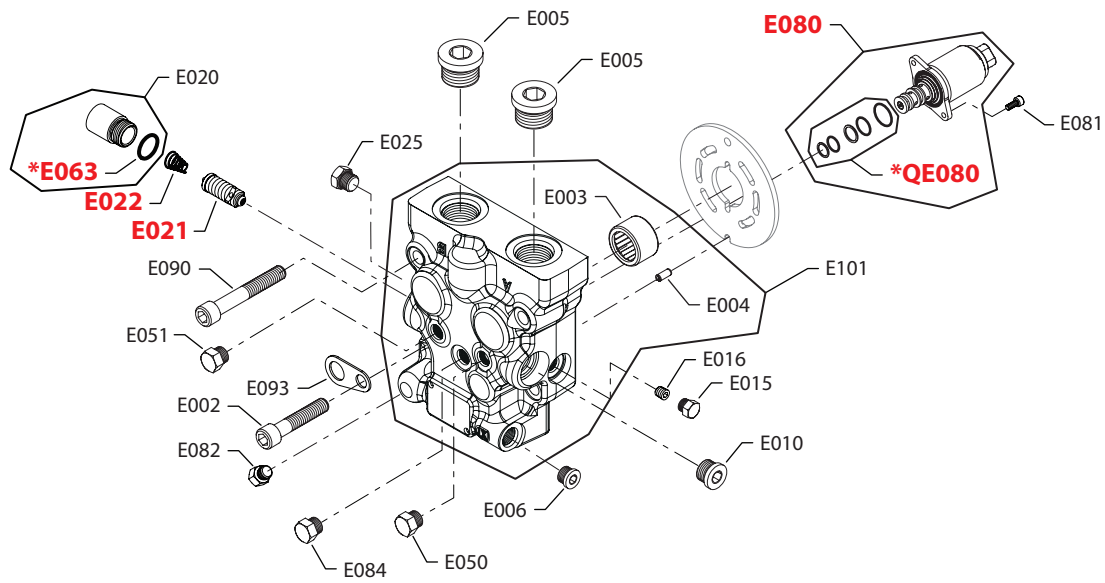

KM reverse displacement motor
Porting/valves/control

Order code	Item	Date begin	Date end	Part number	Part name	Qty. per model/kit
MD1	E002	14-48		680686	Screw	2
	E003	14-48		9001495-0015	Needle bearing	1
	E004	14-48		9004700-1907	Slotted pin	1
	E005	14-48		11134927	Plug assembly	2
	E006	14-48		5000591	Plug assembly	1
	E010	14-48		11126727	SCR plug assembly	1
	E011	14-48		3103375-0345	SCR valve assembly, 345 bar [5000 psi]	1
	E012	14-48		4800661	Conical spring	1
	E015	14-48		001511 (9005100-4400)	Plug assembly	1
	E020	14-48		001529 (9005110-7500)	Plug assembly	1
	E025	14-48		001511 (9005100-4400)	Plug assembly	1
	E026	14-48		9005001-0600	Pipe plug	1
	E050	14-48		001511 (9005100-4400)	Plug assembly	1
	E051	14-48		001511 (9005100-4400)	Plug assembly	1
	E063	14-48		001131 (9004201-5000)	O-ring	1
	E080	14-48		11090304	Solenoid valve, 12v	1
	E081	14-48		067694	Screw	2
	E082	14-48		9005100-3700	Plug assembly	1
	E084	14-48		001511 (9005100-4400)	Plug assembly	1
	E090	14-48		5000122	Screw	2
	E093	14-48		11138846	Lifting bracket	1
	E101	14-48		11157428	End cap assembly, radial ports, metric	1
	QE080	14-48		11150342	Solenoid seal kit	1
MD2	E002	14-48		680686	Screw	2
	E003	14-48		9001495-0015	Needle bearing	1
	E004	14-48		9004700-1907	Slotted pin	1
	E005	14-48		11134927	Plug assembly	2
	E006	14-48		5000591	Plug assembly	1
	E010	14-48		11126727	SCR plug assembly	1
	E011	14-48		3103375-0345	SCR valve assembly, 345 bar [5000 psi]	1
	E012	14-48		4800661	Conical spring	1
	E015	14-48		001511 (9005100-4400)	Plug assembly	1
	E020	14-48		001529 (9005110-7500)	Plug assembly	1
	E025	14-48		001511 (9005100-4400)	Plug assembly	1
	E026	14-48		9005001-0600	Pipe plug	1
	E050	14-48		001511 (9005100-4400)	Plug assembly	1
	E051	14-48		001511 (9005100-4400)	Plug assembly	1
	E063	14-48		001131 (9004201-5000)	O-ring	1
	E080	14-48		11090306	Solenoid valve, 24v	1
	E081	14-48		067694	Screw	2
	E082	14-48		9005100-3700	Plug assembly	1
	E084	14-48		001511 (9005100-4400)	Plug assembly	1
	E090	14-48		5000122	Screw	2
	E093	14-48		11138846	Lifting bracket	1
	E101	14-48		11157428	End cap assembly, radial ports, metric	1
	QE080	14-48		11150342	Solenoid seal kit	1



KM reverse displacement motor

(ME1 & ME2)



* = included in overhaul seal kit Q210

E103 270E
 Enlarged **bold** type item numbers are recommended parts to be stocked for servicing

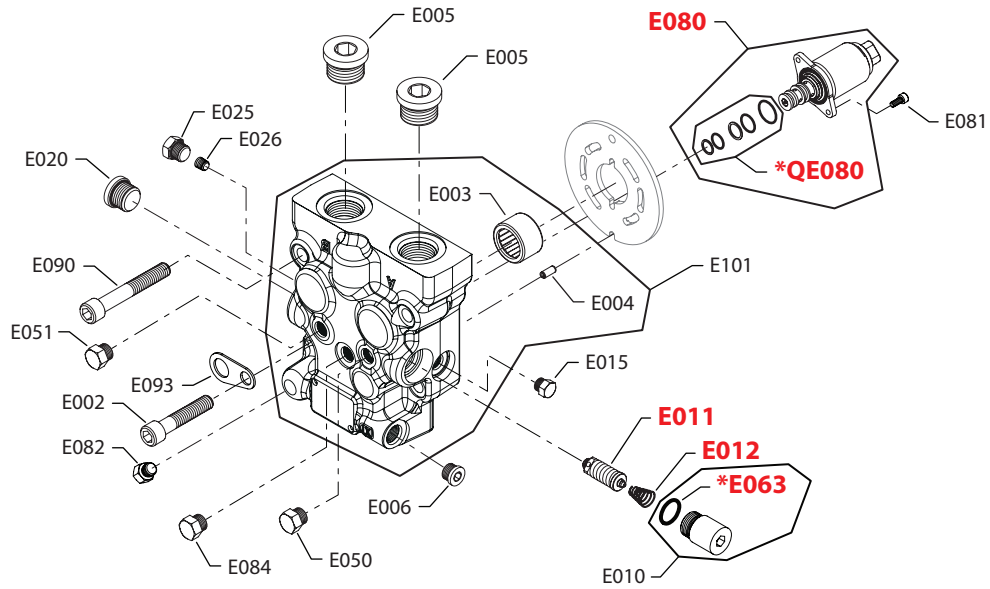

KM reverse displacement motor
Porting/valves/control

Order code	Item	Date begin	Date end	Part number	Part name	Qty. per model/kit
ME1	E002	14-48		680686	Screw	2
	E003	14-48		9001465-0015	Needle bearing	1
	E004	14-48		9004700-1907	Slotted pin	1
	E005	14-48		11134927	Plug assembly	2
	E006	14-48		5000591	Plug assembly	1
	E010	14-48		001529 (9005110-7500)	Plug assembly	1
	E015	14-48		001511 (9005100-4400)	Plug assembly	1
	E016	14-48		9005001-0600	Pipe plug	1
	E020	14-48		11126727	SCR plug assembly	1
	E021	14-48		3103375-0345	SCR valve assembly, 345 bar [5000 psi]	1
	E022	14-48		4800661	Conical spring	1
	E025	14-48		001511 (9005100-4400)	Plug assembly	1
	E050	14-48		001511 (9005100-4400)	Plug assembly	1
	E051	14-48		001511 (9005100-4400)	Plug assembly	1
	E063	14-48		001131 (9004201-5000)	O-ring	1
	E080	14-48		11090304	Solenoid valve, 12v	1
	E081	14-48		067694	Screw	2
	E082	14-48		9005100-3700	Plug assembly	1
	E084	14-48		001511 (9005100-4400)	Plug assembly	1
	E090	14-48		5000122	Screw	2
E093	14-48		11138846	Lifting bracket	1	
E101	14-48		11157428	End cap assembly, radial ports, metric	1	
QE080	14-48		11150342	Solenoid seal kit	1	
ME2	E002	14-48		680686	Screw	2
	E003	14-48		9001465-0015	Needle bearing	1
	E004	14-48		9004700-1907	Slotted pin	1
	E005	14-48		11134927	Plug assembly	2
	E006	14-48		5000591	Plug assembly	1
	E010	14-48		001529 (9005110-7500)	Plug assembly	1
	E015	14-48		001511 (9005100-4400)	Plug assembly	1
	E016	14-48		9005001-0600	Pipe plug	1
	E020	14-48		11126727	SCR plug assembly	1
	E021	14-48		3103375-0345	SCR valve assembly, 345 bar [5000 psi]	1
	E022	14-48		4800661	Conical spring	1
	E025	14-48		001511 (9005100-4400)	Plug assembly	1
	E050	14-48		001511 (9005100-4400)	Plug assembly	1
	E051	14-48		001511 (9005100-4400)	Plug assembly	1
	E063	14-48		001131 (9004201-5000)	O-ring	1
	E080	14-48		11090306	Solenoid valve, 24v	1
	E081	14-48		067694	Screw	2
	E082	14-48		9005100-3700	Plug assembly	1
	E084	14-48		001511 (9005100-4400)	Plug assembly	1
	E090	14-48		5000122	Screw	2
E093	14-48		11138846	Lifting bracket	1	
E101	14-48		11157428	End cap assembly, radial ports, metric	1	
QE080	14-48		11150342	Solenoid seal kit	1	



KM reverse displacement motor

(MF1 & MF2)



* = included in overhaul seal kit Q210

E103 259E

Enlarged **bold** type item numbers are recommended parts to be stocked for servicing

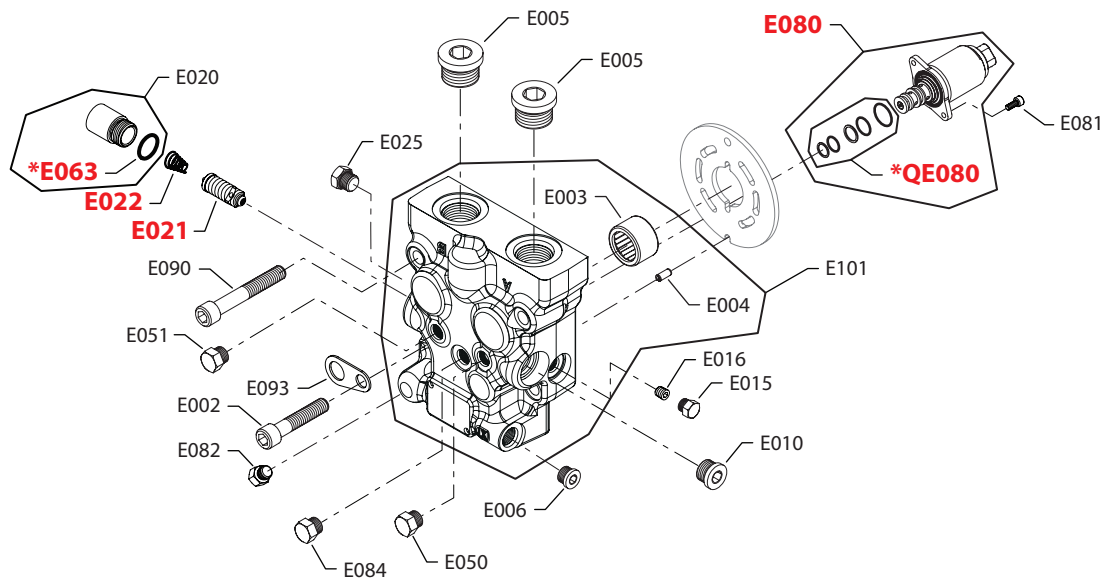

KM reverse displacement motor
Porting/valves/control

Order code	Item	Date begin	Date end	Part number	Part name	Qty. per model/kit
MF1	E002	14-48		680686	Screw	2
	E003	14-48		9001495-0015	Needle bearing	1
	E004	14-48		9004700-1907	Slotted pin	1
	E005	14-48		11134927	Plug assembly	2
	E006	14-48		5000591	Plug assembly	1
	E010	14-48		11126727	SCR plug assembly	1
	E011	14-48		3103375-0280	SCR valve assembly, 280 bar [4060 psi]	1
	E012	14-48		4800661	Conical spring	1
	E015	14-48		001511 (9005100-4400)	Plug assembly	1
	E020	14-48		001529 (9005110-7500)	Plug assembly	1
	E025	14-48		001511 (9005100-4400)	Plug assembly	1
	E026	14-48		9005001-0600	Pipe plug	1
	E050	14-48		001511 (9005100-4400)	Plug assembly	1
	E051	14-48		001511 (9005100-4400)	Plug assembly	1
	E063	14-48		001131 (9004201-5000)	O-ring	1
	E080	14-48		11090304	Solenoid valve, 12v	1
	E081	14-48		067694	Screw	2
	E082	14-48		9005100-3700	Plug assembly	1
	E084	14-48		001511 (9005100-4400)	Plug assembly	1
	E090	14-48		5000122	Screw	2
E093	14-48		11138846	Lifting bracket	1	
E101	14-48		11157428	End cap assembly, radial ports, metric	1	
QE080	14-48		11150342	Solenoid seal kit	1	
MF2	E002	14-48		680686	Screw	2
	E003	14-48		9001495-0015	Needle bearing	1
	E004	14-48		9004700-1907	Slotted pin	1
	E005	14-48		11134927	Plug assembly	2
	E006	14-48		5000591	Plug assembly	1
	E010	14-48		11126727	SCR plug assembly	1
	E011	14-48		3103375-0280	SCR valve assembly, 280 bar [4060 psi]	1
	E012	14-48		4800661	Conical spring	1
	E015	14-48		001511 (9005100-4400)	Plug assembly	1
	E020	14-48		001529 (9005110-7500)	Plug assembly	1
	E025	14-48		001511 (9005100-4400)	Plug assembly	1
	E026	14-48		9005001-0600	Pipe plug	1
	E050	14-48		001511 (9005100-4400)	Plug assembly	1
	E051	14-48		001511 (9005100-4400)	Plug assembly	1
	E063	14-48		001131 (9004201-5000)	O-ring	1
	E080	14-48		11090306	Solenoid valve, 24v	1
	E081	14-48		067694	Screw	2
	E082	14-48		9005100-3700	Plug assembly	1
	E084	14-48		001511 (9005100-4400)	Plug assembly	1
	E090	14-48		5000122	Screw	2
E093	14-48		11138846	Lifting bracket	1	
E101	14-48		11157428	End cap assembly, radial ports, metric	1	
QE080	14-48		11150342	Solenoid seal kit	1	



KM reverse displacement motor

(MG1 & MG2)



* = included in overhaul seal kit Q210

E103 270E

Enlarged **bold** type item numbers are recommended parts to be stocked for servicing

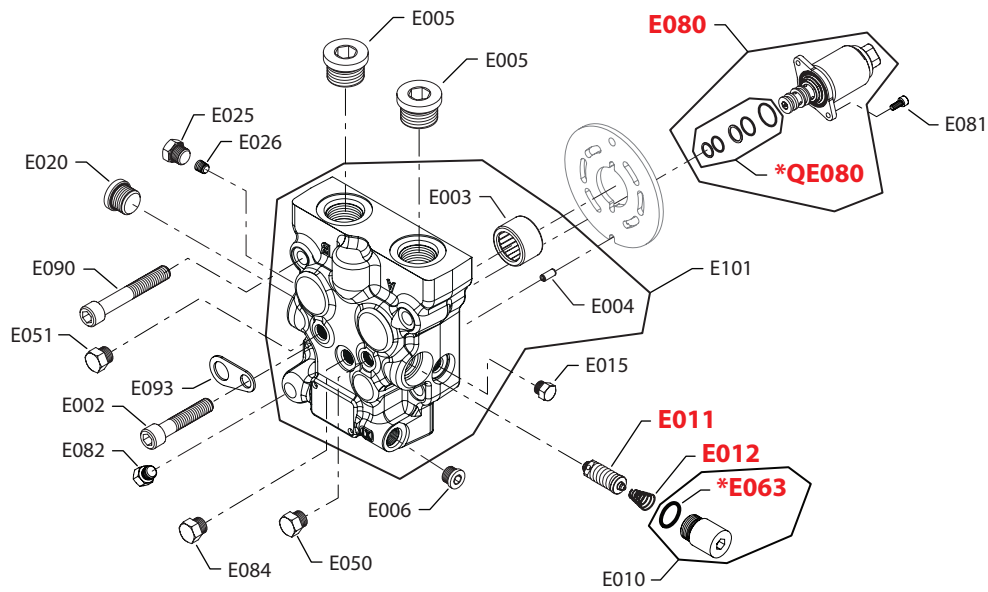

KM reverse displacement motor
Porting/valves/control

Order code	Item	Date begin	Date end	Part number	Part name	Qty. per model/kit
MG1	E002	14-48		680686	Screw	2
	E003	14-48		9001465-0015	Needle bearing	1
	E004	14-48		9004700-1907	Slotted pin	1
	E005	14-48		11134927	Plug assembly	2
	E006	14-48		5000591	Plug assembly	1
	E010	14-48		001529 (9005110-7500)	Plug assembly	1
	E015	14-48		001511 (9005100-4400)	Plug assembly	1
	E016	14-48		9005001-0600	Pipe plug	1
	E020	14-48		11126727	SCR plug assembly	1
	E021	14-48		3103375-0280	SCR valve assembly, 280 bar [4060 psi]	1
	E022	14-48		4800661	Conical spring	1
	E025	14-48		001511 (9005100-4400)	Plug assembly	1
	E050	14-48		001511 (9005100-4400)	Plug assembly	1
	E051	14-48		001511 (9005100-4400)	Plug assembly	1
	E063	14-48		001131 (9004201-5000)	O-ring	1
	E080	14-48		11090304	Solenoid valve, 12v	1
	E081	14-48		067694	Screw	2
	E082	14-48		9005100-3700	Plug assembly	1
	E084	14-48		001511 (9005100-4400)	Plug assembly	1
	E090	14-48		5000122	Screw	2
E093	14-48		11138846	Lifting bracket	1	
E101	14-48		11157428	End cap assembly, radial ports, metric	1	
QE080	14-48		11150342	Solenoid seal kit	1	
MG2	E002	14-48		680686	Screw	2
	E003	14-48		9001465-0015	Needle bearing	1
	E004	14-48		9004700-1907	Slotted pin	1
	E005	14-48		11134927	Plug assembly	2
	E006	14-48		5000591	Plug assembly	1
	E010	14-48		001529 (9005110-7500)	Plug assembly	1
	E015	14-48		001511 (9005100-4400)	Plug assembly	1
	E016	14-48		9005001-0600	Pipe plug	1
	E020	14-48		11126727	SCR plug assembly	1
	E021	14-48		3103375-0280	SCR valve assembly, 280 bar [4060 psi]	1
	E022	14-48		4800661	Conical spring	1
	E025	14-48		001511 (9005100-4400)	Plug assembly	1
	E050	14-48		001511 (9005100-4400)	Plug assembly	1
	E051	14-48		001511 (9005100-4400)	Plug assembly	1
	E063	14-48		001131 (9004201-5000)	O-ring	1
	E080	14-48		11090306	Solenoid valve, 24v	1
	E081	14-48		067694	Screw	2
	E082	14-48		9005100-3700	Plug assembly	1
	E084	14-48		001511 (9005100-4400)	Plug assembly	1
	E090	14-48		5000122	Screw	2
E093	14-48		11138846	Lifting bracket	1	
E101	14-48		11157428	End cap assembly, radial ports, metric	1	
QE080	14-48		11150342	Solenoid seal kit	1	



KM reverse displacement motor

(MH1 & MH2)



* = included in overhaul seal kit Q210

E103 259E

Enlarged **bold** type item numbers are recommended parts to be stocked for servicing

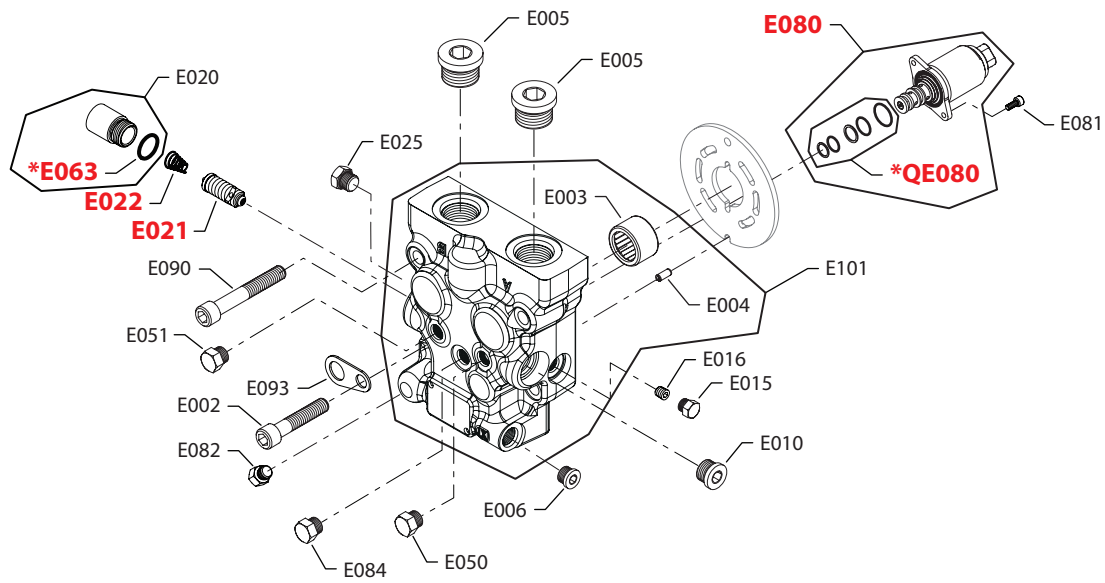

KM reverse displacement motor
Porting/valves/control

Order code	Item	Date begin	Date end	Part number	Part name	Qty. per model/kit
MH1	E002	15-11		680686	Screw	2
	E003	15-11		9001495-0015	Needle bearing	1
	E004	15-11		9004700-1907	Slotted pin	1
	E005	15-11		11134927	Plug assembly	2
	E006	15-11		5000591	Plug assembly	1
	E010	15-11		11126727	SCR plug assembly	1
	E011	15-11		3103375-0230	SCR valve assembly, 230 bar [3335 psi]	1
	E012	15-11		4800661	Conical spring	1
	E015	15-11		001511 (9005100-4400)	Plug assembly	1
	E020	15-11		001529 (9005110-7500)	Plug assembly	1
	E025	15-11		001511 (9005100-4400)	Plug assembly	1
	E026	15-11		9005001-0600	Pipe plug	1
	E050	15-11		001511 (9005100-4400)	Plug assembly	1
	E051	15-11		001511 (9005100-4400)	Plug assembly	1
	E063	15-11		001131 (9004201-5000)	O-ring	1
	E080	15-11		11090304	Solenoid valve, 12v	1
	E081	15-11		067694	Screw	2
	E082	15-11		9005100-3700	Plug assembly	1
	E084	15-11		001511 (9005100-4400)	Plug assembly	1
	E090	15-11		5000122	Screw	2
E093	15-11		11138846	Lifting bracket	1	
E101	15-11		11157428	End cap assembly, radial ports, metric	1	
QE080	15-11		11150342	Solenoid seal kit	1	
MH2	E002	15-11		680686	Screw	2
	E003	15-11		9001495-0015	Needle bearing	1
	E004	15-11		9004700-1907	Slotted pin	1
	E005	15-11		11134927	Plug assembly	2
	E006	15-11		5000591	Plug assembly	1
	E010	15-11		11126727	SCR plug assembly	1
	E011	15-11		3103375-0230	SCR valve assembly, 230 bar [3335 psi]	1
	E012	15-11		4800661	Conical spring	1
	E015	15-11		001511 (9005100-4400)	Plug assembly	1
	E020	15-11		001529 (9005110-7500)	Plug assembly	1
	E025	15-11		001511 (9005100-4400)	Plug assembly	1
	E026	15-11		9005001-0600	Pipe plug	1
	E050	15-11		001511 (9005100-4400)	Plug assembly	1
	E051	15-11		001511 (9005100-4400)	Plug assembly	1
	E063	15-11		001131 (9004201-5000)	O-ring	1
	E080	15-11		11090306	Solenoid valve, 24v	1
	E081	15-11		067694	Screw	2
	E082	15-11		9005100-3700	Plug assembly	1
	E084	15-11		001511 (9005100-4400)	Plug assembly	1
	E090	15-11		5000122	Screw	2
E093	15-11		11138846	Lifting bracket	1	
E101	15-11		11157428	End cap assembly, radial ports, metric	1	
QE080	15-11		11150342	Solenoid seal kit	1	



KM reverse displacement motor

(MI1 & MI2)



* = included in overhaul seal kit Q210

E103 270E

Enlarged **bold** type item numbers are recommended parts to be stocked for servicing

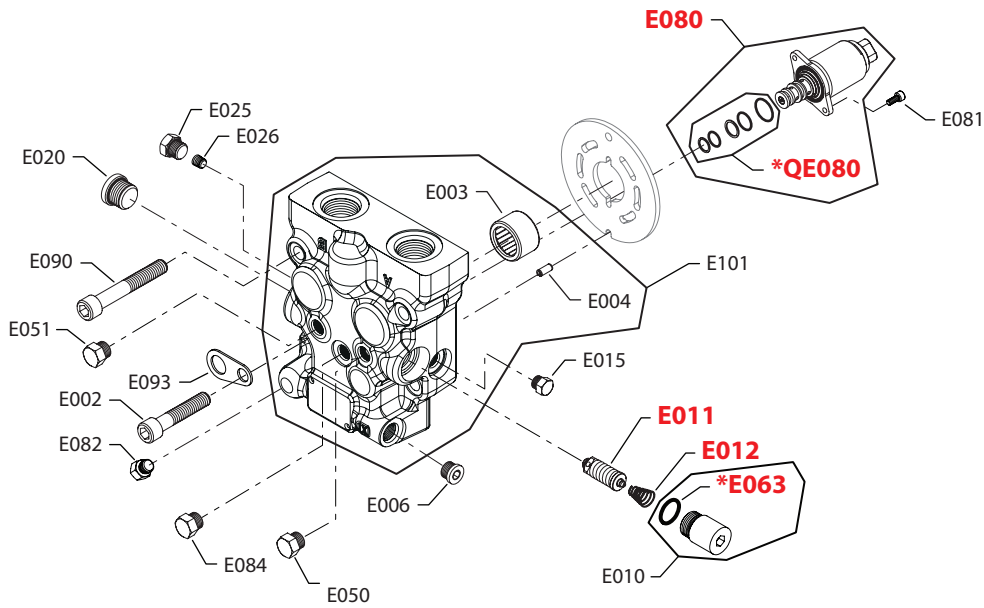

KM reverse displacement motor
Porting/valves/control

Order code	Item	Date begin	Date end	Part number	Part name	Qty. per model/kit
MI1	E002	15-11		680686	Screw	2
	E003	15-11		9001465-0015	Needle bearing	1
	E004	15-11		9004700-1907	Slotted pin	1
	E005	15-11		11134927	Plug assembly	2
	E006	15-11		5000591	Plug assembly	1
	E010	15-11		001529 (9005110-7500)	Plug assembly	1
	E015	15-11		001511 (9005100-4400)	Plug assembly	1
	E016	15-11		9005001-0600	Pipe plug	1
	E020	15-11		11126727	SCR plug assembly	1
	E021	15-11		3103375-0230	SCR valve assembly, 230 bar [3335 psi]	1
	E022	15-11		4800661	Conical spring	1
	E025	15-11		001511 (9005100-4400)	Plug assembly	1
	E050	15-11		001511 (9005100-4400)	Plug assembly	1
	E051	15-11		001511 (9005100-4400)	Plug assembly	1
	E063	15-11		001131 (9004201-5000)	O-ring	1
	E080	15-11		11090304	Solenoid valve, 12v	1
	E081	15-11		067694	Screw	2
	E082	15-11		9005100-3700	Plug assembly	1
	E084	15-11		001511 (9005100-4400)	Plug assembly	1
	E090	15-11		5000122	Screw	2
	E093	15-11		11138846	Lifting bracket	1
E101	15-11		11157428	End cap assembly, radial ports, metric	1	
QE080	15-11		11150342	Solenoid seal kit	1	
MI2	E002	15-11		680686	Screw	2
	E003	15-11		9001465-0015	Needle bearing	1
	E004	15-11		9004700-1907	Slotted pin	1
	E005	15-11		11134927	Plug assembly	2
	E006	15-11		5000591	Plug assembly	1
	E010	15-11		001529 (9005110-7500)	Plug assembly	1
	E015	15-11		001511 (9005100-4400)	Plug assembly	1
	E016	15-11		9005001-0600	Pipe plug	1
	E020	15-11		11126727	SCR plug assembly	1
	E021	15-11		3103375-0230	SCR valve assembly, 230 bar [3335 psi]	1
	E022	15-11		4800661	Conical spring	1
	E025	15-11		001511 (9005100-4400)	Plug assembly	1
	E050	15-11		001511 (9005100-4400)	Plug assembly	1
	E051	15-11		001511 (9005100-4400)	Plug assembly	1
	E063	15-11		001131 (9004201-5000)	O-ring	1
	E080	15-11		11090306	Solenoid valve, 24v	1
	E081	15-11		067694	Screw	2
	E082	15-11		9005100-3700	Plug assembly	1
	E084	15-11		001511 (9005100-4400)	Plug assembly	1
	E090	15-11		5000122	Screw	2
	E093	15-11		11138846	Lifting bracket	1
E101	15-11		11157428	End cap assembly, radial ports, metric	1	
QE080	15-11		11150342	Solenoid seal kit	1	



KM reverse displacement motor

(RD1 & RD2)



* = included in overhaul seal kit Q210

E103 261E

Enlarged **bold** type item numbers are recommended parts to be stocked for servicing

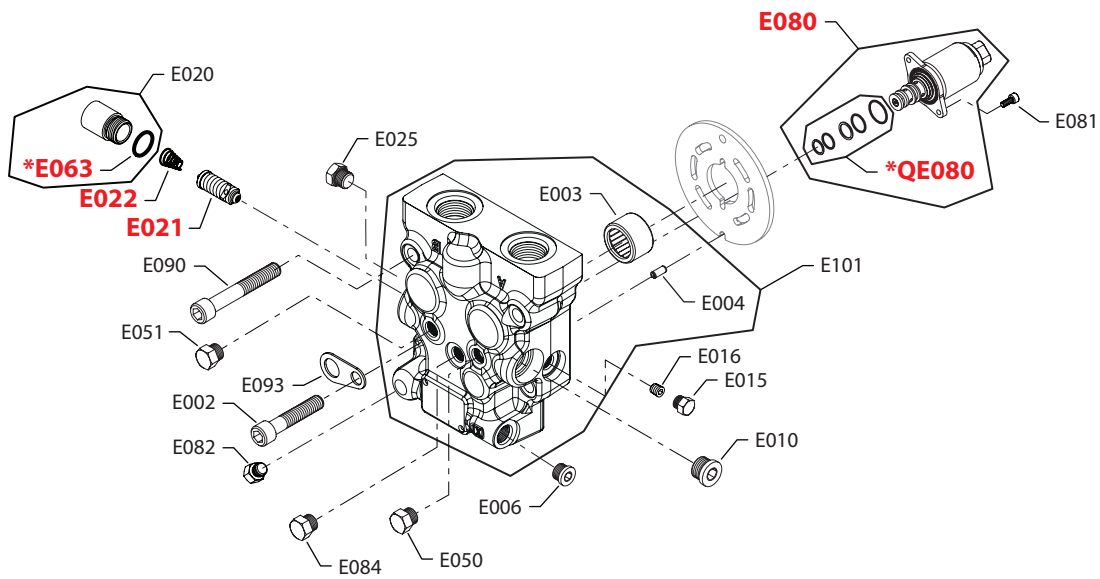

KM reverse displacement motor
Porting/valves/control

Order code	Item	Date begin	Date end	Part number	Part name	Qty. per model/kit
RD1	E002	14-48		680686	Screw	2
	E003	14-48		9001495-0015	Needle bearing	1
	E004	14-48		9004700-1907	Slotted pin	1
	E006	14-48		046151 (9005110-5600)	Plug assembly	1
	E010	14-48		11126727	SCR plug assembly	1
	E011	14-48		3103375-0345	SCR valve assembly, 345 bar [5000 psi]	1
	E012	14-48		4800661	Conical spring	1
	E015	14-48		001511 (9005100-4400)	Plug assembly	1
	E020	14-48		001529 (9005110-7500)	Plug assembly	1
	E025	14-48		001511 (9005100-4400)	Plug assembly	1
	E026	14-48		9005001-0600	Pipe plug	1
	E050	14-48		001511 (9005100-4400)	Plug assembly	1
	E051	14-48		001511 (9005100-4400)	Plug assembly	1
	E063	14-48		001131 (9004201-5000)	O-ring	1
	E080	14-48		11090304	Solenoid valve, 12v	1
	E081	14-48		067694	Screw	2
	E082	14-48		9005100-3700	Plug assembly	1
	E084	14-48		001511 (9005100-4400)	Plug assembly	1
	E090	14-48		5000122	Screw	2
	E093	14-48		11138846	Lifting bracket	1
E101	14-48		11157427	End cap assembly, radial ports	1	
QE080	14-48		11150342	Solenoid seal kit	1	
RD2	E002	14-48		680686	Screw	2
	E003	14-48		9001495-0015	Needle bearing	1
	E004	14-48		9004700-1907	Slotted pin	1
	E006	14-48		046151 (9005110-5600)	Plug assembly	1
	E010	14-48		11126727	SCR plug assembly	1
	E011	14-48		3103375-0345	SCR valve assembly, 345 bar [5000 psi]	1
	E012	14-48		4800661	Conical spring	1
	E015	14-48		001511 (9005100-4400)	Plug assembly	1
	E020	14-48		001529 (9005110-7500)	Plug assembly	1
	E025	14-48		001511 (9005100-4400)	Plug assembly	1
	E026	14-48		9005001-0600	Pipe plug	1
	E050	14-48		001511 (9005100-4400)	Plug assembly	1
	E051	14-48		001511 (9005100-4400)	Plug assembly	1
	E063	14-48		001131 (9004201-5000)	O-ring	1
	E080	14-48		11090306	Solenoid valve, 24v	1
	E081	14-48		067694	Screw	2
	E082	14-48		9005100-3700	Plug assembly	1
	E084	14-48		001511 (9005100-4400)	Plug assembly	1
	E090	14-48		5000122	Screw	2
	E093	14-48		11138846	Lifting bracket	1
E101	14-48		11157427	End cap assembly, radial ports	1	
QE080	14-48		11150342	Solenoid seal kit	1	



KM reverse displacement motor

(RE1 & RE2)



* = included in overhaul seal kit Q210

E103 262E

Enlarged **bold** type item numbers are recommended parts to be stocked for servicing

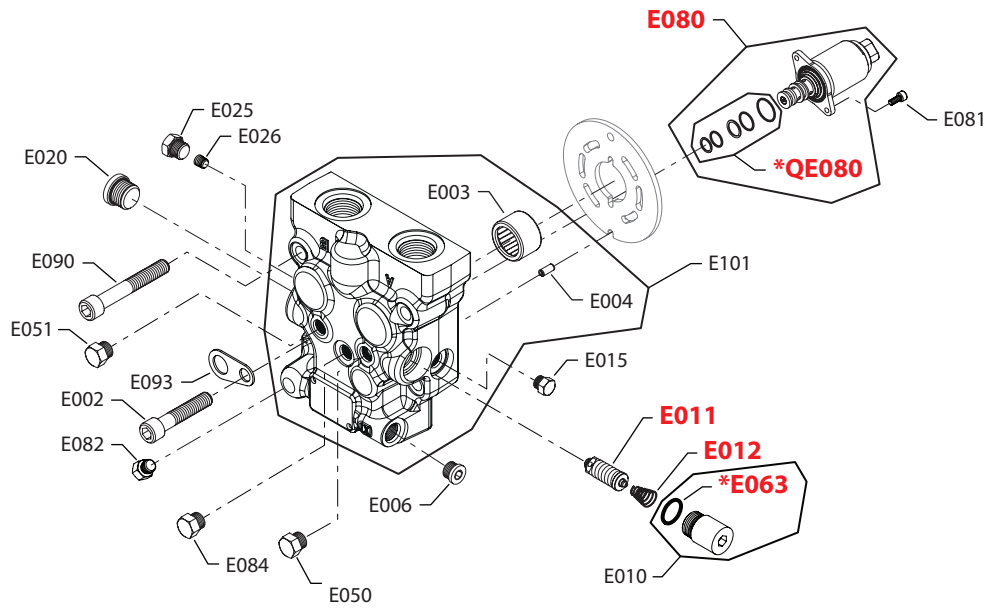

KM reverse displacement motor
Porting/valves/control

Order code	Item	Date begin	Date end	Part number	Part name	Qty. per model/kit
RE1	E002	14-48		680686	Screw	2
	E003	14-48		9001465-0015	Needle bearing	1
	E004	14-48		9004700-1907	Slotted pin	1
	E006	14-48		046151 (9005110-5600)	Plug assembly	1
	E010	14-48		001529 (9005110-7500)	Plug assembly	1
	E015	14-48		001511 (9005100-4400)	Plug assembly	1
	E016	14-48		9005001-0600	Pipe plug	1
	E020	14-48		11126727	SCR plug assembly	1
	E021	14-48		3103375-0345	SCR valve assembly, 345 bar [5000 psi]	1
	E022	14-48		4800661	Conical spring	1
	E025	14-48		001511 (9005100-4400)	Plug assembly	1
	E050	14-48		001511 (9005100-4400)	Plug assembly	1
	E051	14-48		001511 (9005100-4400)	Plug assembly	1
	E063	14-48		001131 (9004201-5000)	O-ring	1
	E080	14-48		11090304	Solenoid valve, 12v	1
	E081	14-48		067694	Screw	2
	E082	14-48		9005100-3700	Plug assembly	1
	E084	14-48		001511 (9005100-4400)	Plug assembly	1
	E090	14-48		5000122	Screw	2
	E093	14-48		11138846	Lifting bracket	1
	E101	14-48		11157427	End cap assembly, radial ports	1
	QE080	14-48		11150342	Solenoid seal kit	1
RE2	E002	14-48		680686	Screw	2
	E003	14-48		9001465-0015	Needle bearing	1
	E004	14-48		9004700-1907	Slotted pin	1
	E006	14-48		046151 (9005110-5600)	Plug assembly	1
	E010	14-48		001529 (9005110-7500)	Plug assembly	1
	E015	14-48		001511 (9005100-4400)	Plug assembly	1
	E016	14-48		9005001-0600	Pipe plug	1
	E020	14-48		11126727	SCR plug assembly	1
	E021	14-48		3103375-0345	SCR valve assembly, 345 bar [5000 psi]	1
	E022	14-48		4800661	Conical spring	1
	E025	14-48		001511 (9005100-4400)	Plug assembly	1
	E050	14-48		001511 (9005100-4400)	Plug assembly	1
	E051	14-48		001511 (9005100-4400)	Plug assembly	1
	E063	14-48		001131 (9004201-5000)	O-ring	1
	E080	14-48		11090306	Solenoid valve, 24v	1
	E081	14-48		067694	Screw	2
	E082	14-48		9005100-3700	Plug assembly	1
	E084	14-48		001511 (9005100-4400)	Plug assembly	1
	E090	14-48		5000122	Screw	2
	E093	14-48		11138846	Lifting bracket	1
	E101	14-48		11157427	End cap assembly, radial ports	1
	QE080	14-48		11150342	Solenoid seal kit	1



KM reverse displacement motor

(RF1 & RF2)



* = included in overhaul seal kit Q210

E103 261E

Enlarged **bold** type item numbers are recommended parts to be stocked for servicing

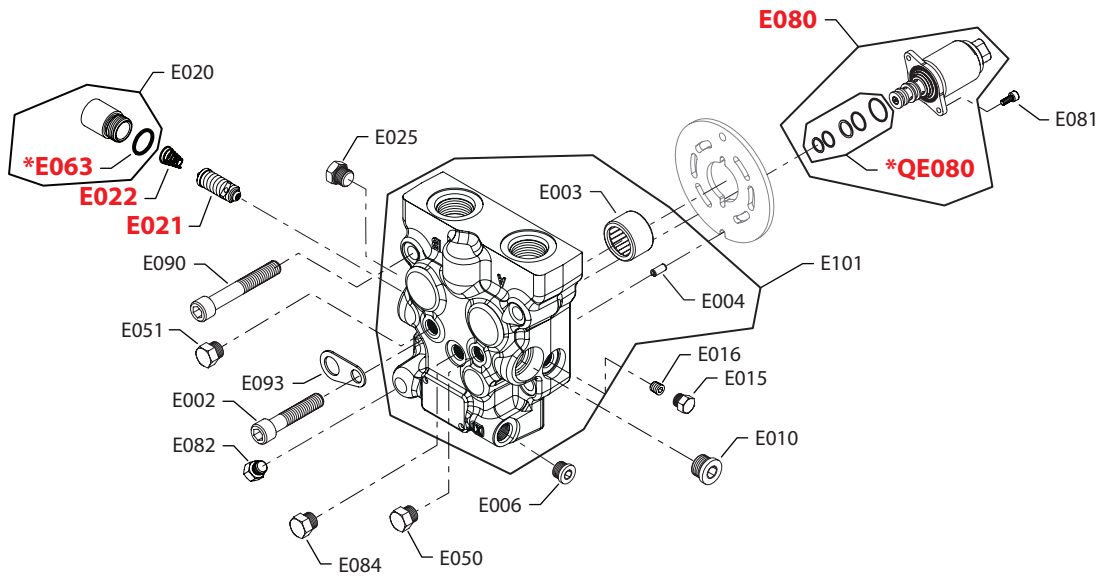

KM reverse displacement motor
Porting/valves/control

Order code	Item	Date begin	Date end	Part number	Part name	Qty. per model/kit
RF1	E002	14-48		680686	Screw	2
	E003	14-48		9001495-0015	Needle bearing	1
	E004	14-48		9004700-1907	Slotted pin	1
	E006	14-48		046151 (9005110-5600)	Plug assembly	1
	E010	14-48		11126727	SCR plug assembly	1
	E011	14-48		3103375-0280	SCR valve assembly, 280 bar [4060 psi]	1
	E012	14-48		4800661	Conical spring	1
	E015	14-48		001511 (9005100-4400)	Plug assembly	1
	E020	14-48		001529 (9005110-7500)	Plug assembly	1
	E025	14-48		001511 (9005100-4400)	Plug assembly	1
	E026	14-48		9005001-0600	Pipe plug	1
	E050	14-48		001511 (9005100-4400)	Plug assembly	1
	E051	14-48		001511 (9005100-4400)	Plug assembly	1
	E063	14-48		001131 (9004201-5000)	O-ring	1
	E080	14-48		11090304	Solenoid valve, 12v	1
	E081	14-48		067694	Screw	2
	E082	14-48		9005100-3700	Plug assembly	1
	E084	14-48		001511 (9005100-4400)	Plug assembly	1
	E090	14-48		5000122	Screw	2
	E093	14-48		11138846	Lifting bracket	1
E101	14-48		11157427	End cap assembly, radial ports	1	
QE080	14-48		11150342	Solenoid seal kit	1	
RF2	E002	14-48		680686	Screw	2
	E003	14-48		9001495-0015	Needle bearing	1
	E004	14-48		9004700-1907	Slotted pin	1
	E006	14-48		046151 (9005110-5600)	Plug assembly	1
	E010	14-48		11126727	SCR plug assembly	1
	E011	14-48		3103375-0280	SCR valve assembly, 280 bar [4060 psi]	1
	E012	14-48		4800661	Conical spring	1
	E015	14-48		001511 (9005100-4400)	Plug assembly	1
	E020	14-48		001529 (9005110-7500)	Plug assembly	1
	E025	14-48		001511 (9005100-4400)	Plug assembly	1
	E026	14-48		9005001-0600	Pipe plug	1
	E050	14-48		001511 (9005100-4400)	Plug assembly	1
	E051	14-48		001511 (9005100-4400)	Plug assembly	1
	E063	14-48		001131 (9004201-5000)	O-ring	1
	E080	14-48		11090306	Solenoid valve, 24v	1
	E081	14-48		067694	Screw	2
	E082	14-48		9005100-3700	Plug assembly	1
	E084	14-48		001511 (9005100-4400)	Plug assembly	1
	E090	14-48		5000122	Screw	2
	E093	14-48		11138846	Lifting bracket	1
E101	14-48		11157427	End cap assembly, radial ports	1	
QE080	14-48		11150342	Solenoid seal kit	1	



KM reverse displacement motor

(RG1 & RG2)



* = included in overhaul seal kit Q210

E103 262E

Enlarged **bold** type item numbers are recommended parts to be stocked for servicing

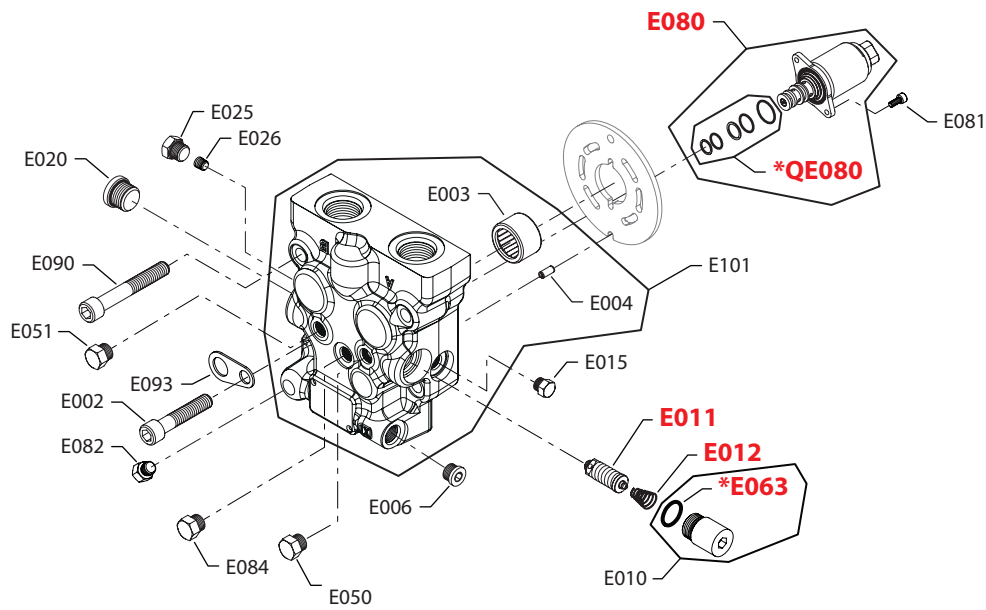

KM reverse displacement motor
Porting/valves/control

Order code	Item	Date begin	Date end	Part number	Part name	Qty. per model/kit
RG1	E002	14-48		680686	Screw	2
	E003	14-48		9001465-0015	Needle bearing	1
	E004	14-48		9004700-1907	Slotted pin	1
	E006	14-48		046151 (9005110-5600)	Plug assembly	1
	E010	14-48		001529 (9005110-7500)	Plug assembly	1
	E015	14-48		001511 (9005100-4400)	Plug assembly	1
	E016	14-48		9005001-0600	Pipe plug	1
	E020	14-48		11126727	SCR plug assembly	1
	E011	14-48		3103375-0280	SCR valve assembly, 280 bar [4060 psi]	1
	E022	14-48		4800661	Conical spring	1
	E025	14-48		001511 (9005100-4400)	Plug assembly	1
	E050	14-48		001511 (9005100-4400)	Plug assembly	1
	E051	14-48		001511 (9005100-4400)	Plug assembly	1
	E063	14-48		001131 (9004201-5000)	O-ring	1
	E080	14-48		11090304	Solenoid valve, 12v	1
	E081	14-48		067694	Screw	2
	E082	14-48		9005100-3700	Plug assembly	1
	E084	14-48		001511 (9005100-4400)	Plug assembly	1
	E090	14-48		5000122	Screw	2
	E093	14-48		11138846	Lifting bracket	1
	E101	14-48		11157427	End cap assembly, radial ports	1
	QE080	14-48		11150342	Solenoid seal kit	1
RG2	E002	14-48		680686	Screw	2
	E003	14-48		9001465-0015	Needle bearing	1
	E004	14-48		9004700-1907	Slotted pin	1
	E006	14-48		046151 (9005110-5600)	Plug assembly	1
	E010	14-48		001529 (9005110-7500)	Plug assembly	1
	E015	14-48		001511 (9005100-4400)	Plug assembly	1
	E016	14-48		9005001-0600	Pipe plug	1
	E020	14-48		11126727	SCR plug assembly	1
	E011	14-48		3103375-0280	SCR valve assembly, 280 bar [4060 psi]	1
	E022	14-48		4800661	Conical spring	1
	E025	14-48		001511 (9005100-4400)	Plug assembly	1
	E050	14-48		001511 (9005100-4400)	Plug assembly	1
	E051	14-48		001511 (9005100-4400)	Plug assembly	1
	E063	14-48		001131 (9004201-5000)	O-ring	1
	E080	14-48		11090306	Solenoid valve, 24v	1
	E081	14-48		067694	Screw	2
	E082	14-48		9005100-3700	Plug assembly	1
	E084	14-48		001511 (9005100-4400)	Plug assembly	1
	E090	14-48		5000122	Screw	2
	E093	14-48		11138846	Lifting bracket	1
	E101	14-48		11157427	End cap assembly, radial ports	1
	QE080	14-48		11150342	Solenoid seal kit	1



KM reverse displacement motor

(RH1 & RH2)



* = included in overhaul seal kit Q210

E103 261E

Enlarged **bold** type item numbers are recommended parts to be stocked for servicing

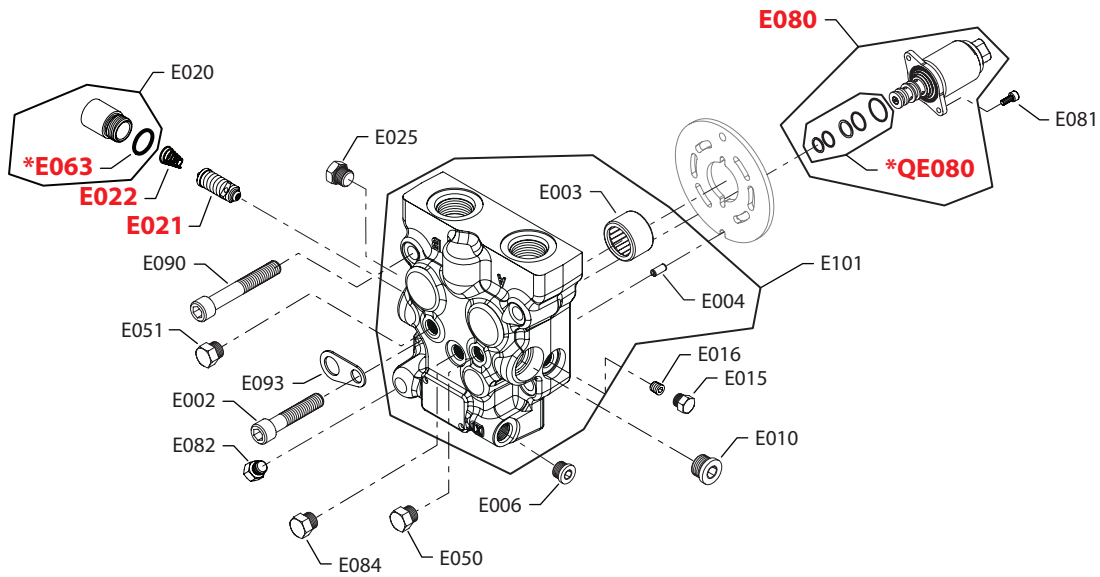

KM reverse displacement motor
Porting/valves/control

Order code	Item	Date begin	Date end	Part number	Part name	Qty. per model/kit
RH1	E002	15-11		680686	Screw	2
	E003	15-11		9001495-0015	Needle bearing	1
	E004	15-11		9004700-1907	Slotted pin	1
	E006	15-11		5000591	Plug assembly	1
	E010	15-11		11126727	SCR plug assembly	1
	E011	15-11		3103375-0230	SCR valve assembly, 230 bar [3335 psi]	1
	E012	15-11		4800661	Conical spring	1
	E015	15-11		001511 (9005100-4400)	Plug assembly	1
	E020	15-11		001529 (9005110-7500)	Plug assembly	1
	E025	15-11		001511 (9005100-4400)	Plug assembly	1
	E026	15-11		9005001-0600	Pipe plug	1
	E050	15-11		001511 (9005100-4400)	Plug assembly	1
	E051	15-11		001511 (9005100-4400)	Plug assembly	1
	E063	15-11		001131 (9004201-5000)	O-ring	1
	E080	15-11		11090304	Solenoid valve, 12v	1
	E081	15-11		067694	Screw	2
	E082	15-11		9005100-3700	Plug assembly	1
	E084	15-11		001511 (9005100-4400)	Plug assembly	1
	E090	15-11		5000122	Screw	2
	E093	15-11		11138846	Lifting bracket	1
E101	15-11		11157427	End cap assembly, radial ports	1	
QE080	15-11		11150342	Solenoid seal kit	1	
RH2	E002	15-11		680686	Screw	2
	E003	15-11		9001495-0015	Needle bearing	1
	E004	15-11		9004700-1907	Slotted pin	1
	E006	15-11		5000591	Plug assembly	1
	E010	15-11		11126727	SCR plug assembly	1
	E011	15-11		3103375-0230	SCR valve assembly, 230 bar [3335 psi]	1
	E012	15-11		4800661	Conical spring	1
	E015	15-11		001511 (9005100-4400)	Plug assembly	1
	E020	15-11		001529 (9005110-7500)	Plug assembly	1
	E025	15-11		001511 (9005100-4400)	Plug assembly	1
	E026	15-11		9005001-0600	Pipe plug	1
	E050	15-11		001511 (9005100-4400)	Plug assembly	1
	E051	15-11		001511 (9005100-4400)	Plug assembly	1
	E063	15-11		001131 (9004201-5000)	O-ring	1
	E080	15-11		11090306	Solenoid valve, 24v	1
	E081	15-11		067694	Screw	2
	E082	15-11		9005100-3700	Plug assembly	1
	E084	15-11		001511 (9005100-4400)	Plug assembly	1
	E090	15-11		5000122	Screw	2
	E093	15-11		11138846	Lifting bracket	1
E101	15-11		11157427	End cap assembly, radial ports	1	
QE080	15-11		11150342	Solenoid seal kit	1	



KM reverse displacement motor

(RI1 & RI2)



* = included in overhaul seal kit Q210

E103 262E

Enlarged **bold** type item numbers are recommended parts to be stocked for servicing

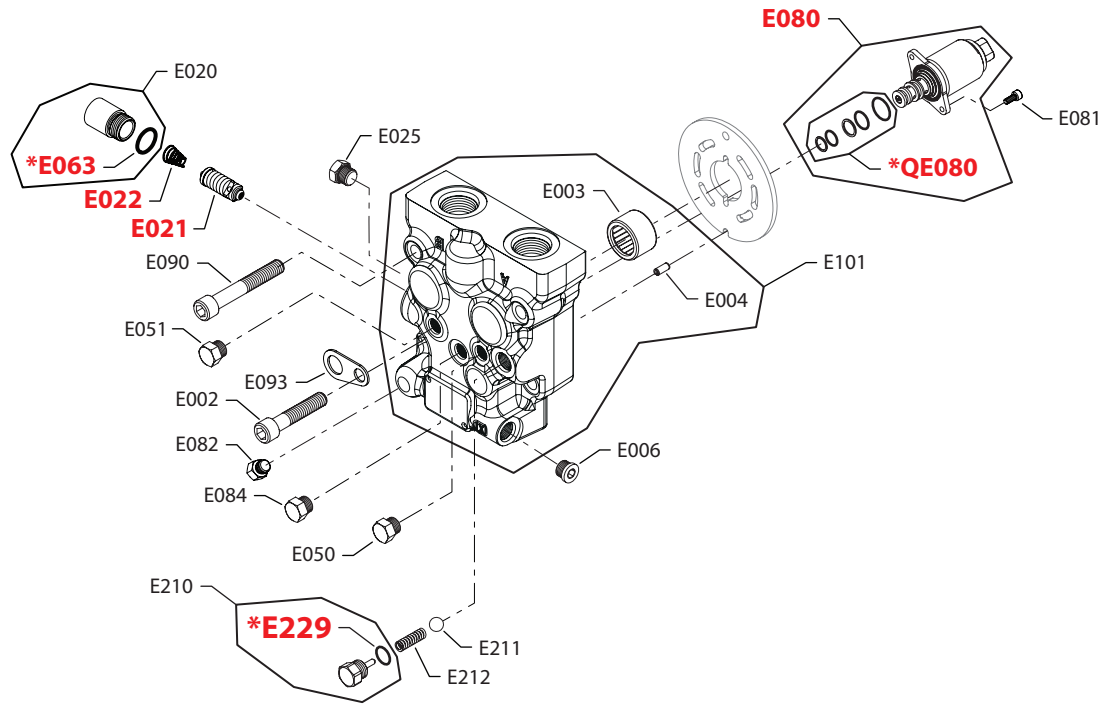

KM reverse displacement motor
Porting/valves/control

Order code	Item	Date begin	Date end	Part number	Part name	Qty. per model/kit
RI1	E002	15-11		680686	Screw	2
	E003	15-11		9001465-0015	Needle bearing	1
	E004	15-11		9004700-1907	Slotted pin	1
	E006	15-11		5000591	Plug assembly	1
	E010	15-11		001529 (9005110-7500)	Plug assembly	1
	E015	15-11		001511 (9005100-4400)	Plug assembly	1
	E016	15-11		9005001-0600	Pipe plug	1
	E020	15-11		11126727	SCR plug assembly	1
	E021	15-11		3103375-0230	SCR valve assembly, 230 bar [3335 psi]	1
	E022	15-11		4800661	Conical spring	1
	E025	15-11		001511 (9005100-4400)	Plug assembly	1
	E050	15-11		001511 (9005100-4400)	Plug assembly	1
	E051	15-11		001511 (9005100-4400)	Plug assembly	1
	E063	15-11		001131 (9004201-5000)	O-ring	1
	E080	15-11		11090304	Solenoid valve, 12v	1
	E081	15-11		067694	Screw	2
	E082	15-11		9005100-3700	Plug assembly	1
	E084	15-11		001511 (9005100-4400)	Plug assembly	1
	E090	15-11		5000122	Screw	2
	E093	15-11		11138846	Lifting bracket	1
E101	15-11		11157427	End cap assembly, radial ports	1	
QE080	15-11		11150342	Solenoid seal kit	1	
RI2	E002	15-11		680686	Screw	2
	E003	15-11		9001465-0015	Needle bearing	1
	E004	15-11		9004700-1907	Slotted pin	1
	E006	15-11		5000591	Plug assembly	1
	E010	15-11		001529 (9005110-7500)	Plug assembly	1
	E015	15-11		001511 (9005100-4400)	Plug assembly	1
	E016	15-11		9005001-0600	Pipe plug	1
	E020	15-11		11126727	SCR plug assembly	1
	E021	15-11		3103375-0230	SCR valve assembly, 230 bar [3335 psi]	1
	E022	15-11		4800661	Conical spring	1
	E025	15-11		001511 (9005100-4400)	Plug assembly	1
	E050	15-11		001511 (9005100-4400)	Plug assembly	1
	E051	15-11		001511 (9005100-4400)	Plug assembly	1
	E063	15-11		001131 (9004201-5000)	O-ring	1
	E080	15-11		11090306	Solenoid valve, 24v	1
	E081	15-11		067694	Screw	2
	E082	15-11		9005100-3700	Plug assembly	1
	E084	15-11		001511 (9005100-4400)	Plug assembly	1
	E090	15-11		5000122	Screw	2
	E093	15-11		11138846	Lifting bracket	1
E101	15-11		11157427	End cap assembly, radial ports	1	
QE080	15-11		11150342	Solenoid seal kit	1	



KM reverse displacement motor

(RK1)



* = included in overhaul seal kit Q210

E103 557E

Enlarged **bold** type item numbers are recommended parts to be stocked for servicing

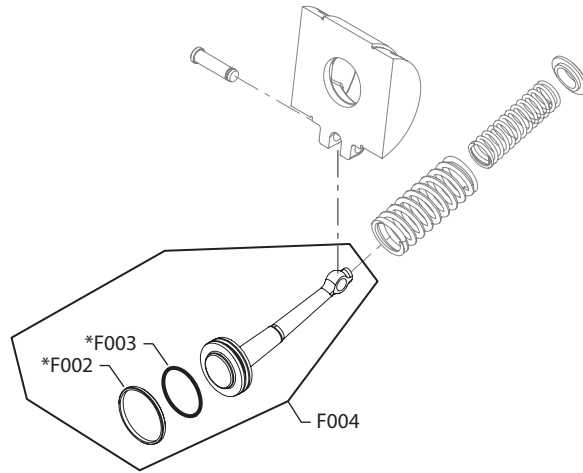

KM reverse displacement motor
Porting/valves/control

Order code	Item	Date begin	Date end	Part number	Part name	Qty. per model/kit
RK1	E002	16-02		680686	Screw	2
	E003	16-02		9001465-0015	Needle bearing	1
	E004	16-02		9004700-1907	Slotted pin	1
	E006	16-02		515965 (9005110-5600)	Plug assembly	1
	E010	16-02		001529 (9005110-7500)	Plug assembly	1
	E015	16-02		001511 (9005100-4400)	Plug assembly	1
	E016	16-02		9005001-0600	Pipe plug	1
	E020	16-02		11126727	SCR plug assembly	1
	E021	16-02		3103375-0230	SCR valve assembly, 230 bar [3335 psi]	1
	E022	16-02		4800661	Conical spring	1
	E025	16-02		001511 (9005100-4400)	Plug assembly	1
	E050	16-02		001511 (9005100-4400)	Plug assembly	1
	E051	16-02		001511 (9005100-4400)	Plug assembly	1
	E063	16-02		001131 (9004201-5000)	O-ring	1
	E080	16-02		11090304	Solenoid valve, 12v	1
	E081	16-02		067694	Screw	2
	E082	16-02		9005100-3700	Plug assembly	1
	E084	16-02		001511 (9005100-4400)	Plug assembly	1
	E090	16-02		5000122	Screw	2
	E093	16-02		11138846	Lifting bracket	1
	E101	16-02		11173704	End cap assembly, radial ports	1
	E210	16-02		11173152	Plug assembly	1
	E211	16-02		9001214-3700	Ball	1
	E212	16-02		11171756	Spring	1
	E229	16-02		085043 (9004201-3700)	O-ring	1
	QE080	16-02		11150342	Solenoid seal kit	1

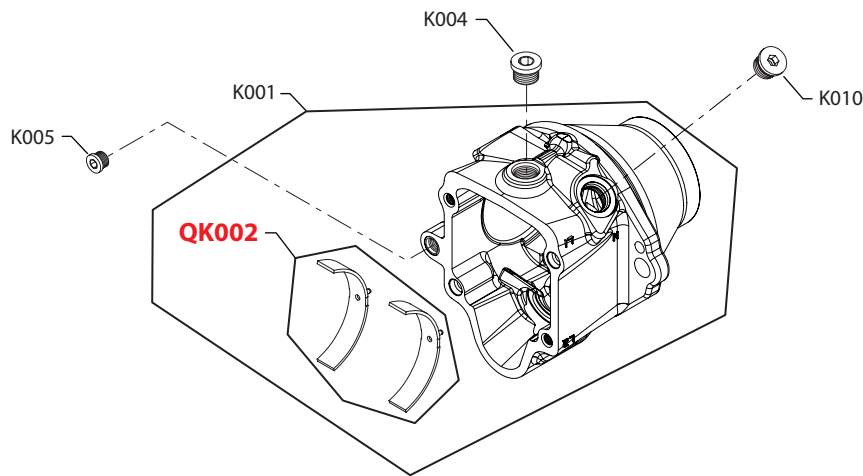


KM reverse displacement motor

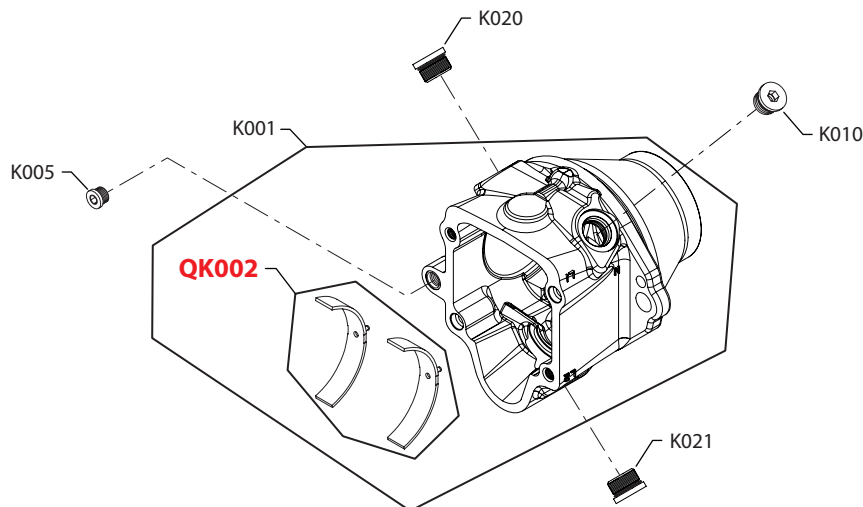
(N12 & 18)



(BF - BM)



(BG)



* = included in overhaul seal kit Q210

E103 263E

Enlarged **bold** type item numbers are recommended parts to be stocked for servicing


KM reverse displacement motor
Reverse displacement

Order code	Item	Date begin	Date end	Part number	Part name	Qty. per model/kit
N12	F002	14-48		8700066	Piston ring	1
	F003	14-48		9004100-1270	O-ring	1
	F004	14-48		11166257	Servo piston assembly, 12 degree	1
N18	F002	14-48		8700066	Piston ring	1
	F003	14-48		9004100-1270	O-ring	1
	F004	14-48		11141121	Servo piston assembly, 18 degree	1

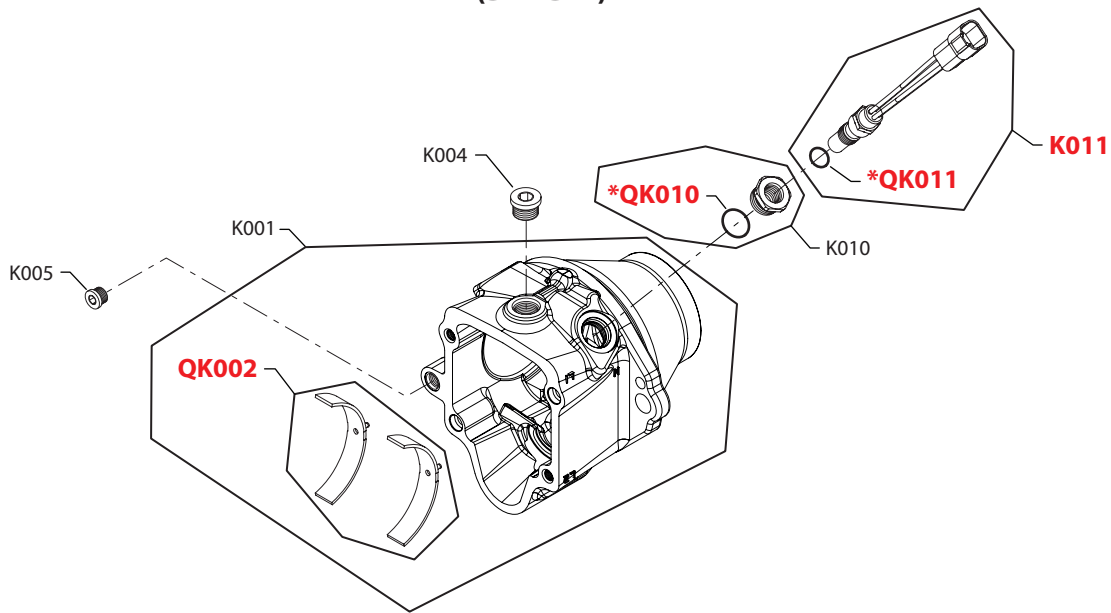
Housing

BF	K001	15-51		11171044	Housing assembly (SB-2016-044)	1	
	K001	14-48	15-50	11141513	Housing assembly	1	
	K004	14-48		9005110-7500	Plug assembly	1	
	K005	14-48		9005110-4400	Plug assembly	1	
	K010	14-48		9005100-8700	Plug assembly	1	
	QK002	15-51		11177987	Swashplate bearing kit (SB-2016-044)	1	
	QK002	14-48	15-50	4510442	Swashplate bearing kit	1	
	BG	K001	15-51		11171045	Housing assembly (SB-2016-044)	1
K001		14-48	15-50	11163593	Housing assembly	1	
K004		14-48	15-50	9005110-7500	Plug assembly	1	
K005		14-48		9005110-4400	Plug assembly	1	
K010		14-48		9005100-8700	Plug assembly	1	
K020		14-48		9005100-8700	Plug assembly	1	
K021		14-48		9005100-8700	Plug assembly	1	
QK002		15-51		11177987	Swashplate bearing kit (SB-2016-044)	1	
QK002		14-48	15-50	4510442	Swashplate bearing kit	1	
BM		K001	15-51		11171046	Housing assembly (SB-2016-044)	1
		K001	14-48	15-50	11141514	Housing assembly, metric	1
		K004	14-48		5000570	Plug assembly, M18	1
	K005	14-48		9005110-4400	Plug assembly	1	
	K010	14-48		9005100-8700	Plug assembly	1	
	QK002	15-51		11177987	Swashplate bearing kit (SB-2016-044)	1	
	QK002	14-48	15-50	4510442	Swashplate bearing kit	1	

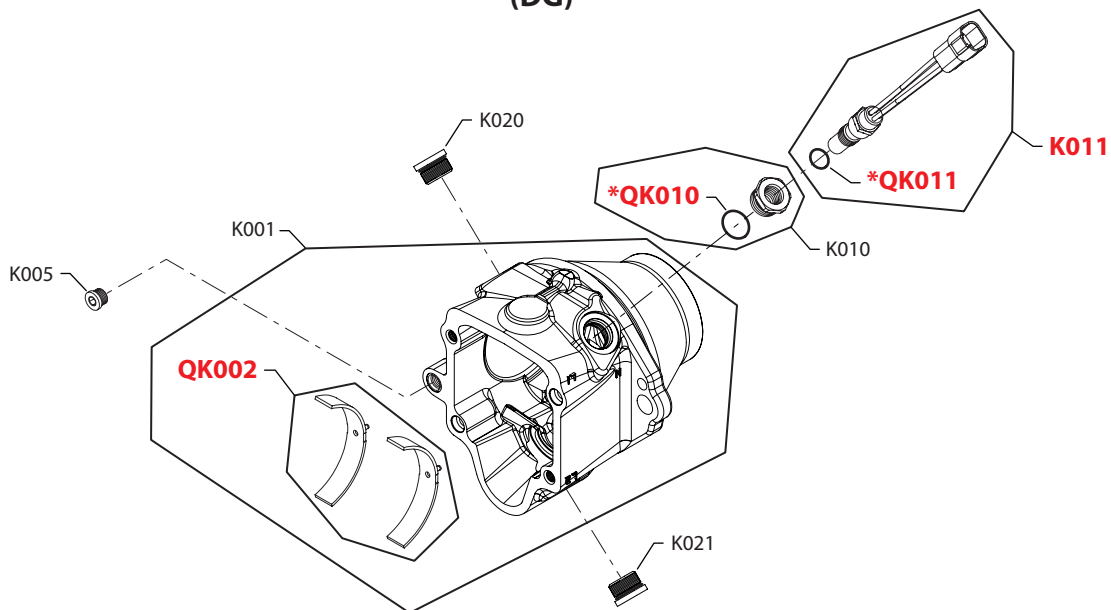


KM reverse displacement motor

(DF - DM)



(DG)



* = included in overhaul seal kit Q210

E103 558E

Enlarged **bold** type item numbers are recommended parts to be stocked for servicing


KM reverse displacement motor
Housing

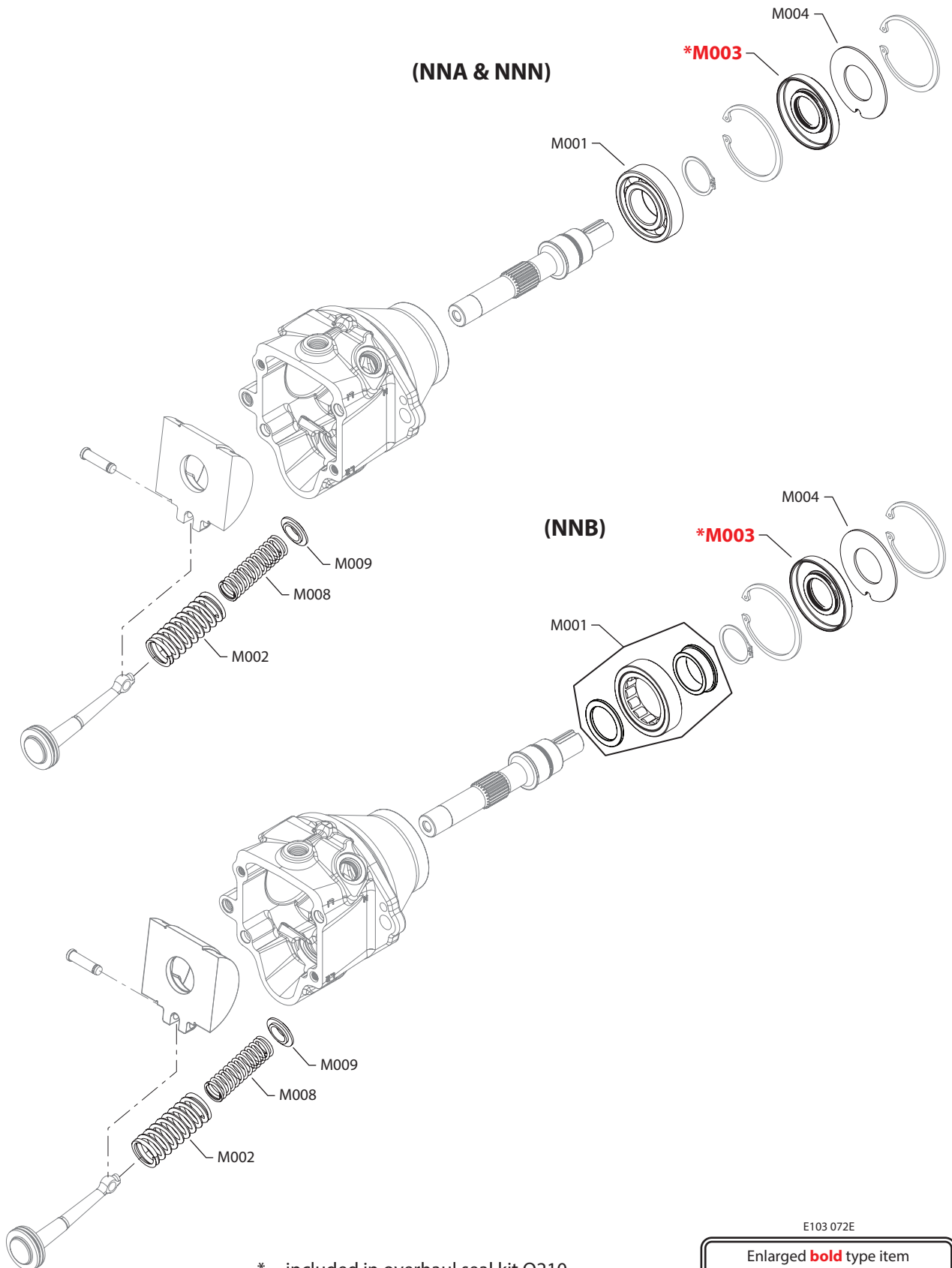
Order code	Item	Date begin	Date end	Part number	Part name	Qty. per model/kit	
DF	K001	15-51		11171044	Housing assembly (SB-2016-044)	1	
	K001	14-48	15-50	11141513	Housing assembly	1	
	K004	14-48		9005110-7500	Plug assembly	1	
	K005	14-48		9005110-4400	Plug assembly	1	
	K010	14-48		4800920	Adapter assembly	1	
	K011	14-48		KPPG13704	Speed sensor	1	
	QK002	15-51		11177987	Swashplate bearing kit (SB-2016-044)	1	
	QK002	14-48	15-50	4510442	Swashplate bearing kit	1	
	QK010	14-48		9004201-6200	O-ring	1	
	QK011	14-48		9004201-3700	O-ring	1	
	DG	K001	16-29		11171045	Housing assembly	1
K005		16-29		9005110-4400	Plug assembly	1	
K010		16-29		4800920	Adapter assembly	1	
K011		16-29		KPPG13704	Speed sensor	1	
K020		16-29		9005100-8700	Plug assembly	1	
K021		16-29		9005100-8700	Plug assembly	1	
QK002		16-29		11177987	Swashplate bearing kit	1	
QK010		16-29		9004201-6200	O-ring	1	
QK011		16-29		9004201-3700	O-ring	1	
DM		K001	15-51		11171046	Housing assembly (SB-2016-044)	1
		K001	14-48	15-50	11141514	Housing assembly, metric	1
	K004	14-48		5000570	Plug assembly, M18	1	
	K005	14-48		9005110-4400	Plug assembly	1	
	K010	14-48		4800920	Adapter assembly	1	
	K011	14-48		KPPG13704	Speed sensor	1	
	QK002	15-51		11177987	Swashplate bearing kit (SB-2016-044)	1	
	QK002	14-48	15-50	4510442	Swashplate bearing kit	1	
	QK010	14-48		9004201-6200	O-ring	1	
	QK011	14-48		9004201-3700	O-ring	1	

Forward displacement

F18	none
-----	------



KM reverse displacement motor



* = included in overhaul seal kit Q210

E103 072E

Enlarged **bold** type item numbers are recommended parts to be stocked for servicing


KM reverse displacement motor
Special hardware

Order code	Item	Date begin	Date end	Part number	Part name	Qty. per model/kit
NNA	M001	14-48		11060400	Ball bearing	1
	M002	14-48		11132636	Spring	1
	M003	14-48		11103135	Lip seal	1
	M004	14-48		11083729	Seal support washer	1
	M008	14-48		11132638	Spring	1
	M009	14-48		11152761	Spring seat	1
	NNB	M001	14-48		357616	Roller bearing
M002		14-48		11132636	Spring	1
M003		14-48		11103135	Lip seal	1
M004		14-48		11083729	Seal support washer	1
M008		14-48		11132638	Spring	1
M009		14-48		11152761	Spring seat	1
NNN		M001	14-48		5000731	Ball bearing
	M002	14-48		11132636	Spring	1
	M003	14-48		11103135	Lip seal	1
	M004	14-48		11083729	Seal support washer	1
	M008	14-48		11132638	Spring	1
	M009	14-48		11152761	Spring seat	1

Overhaul seal kit

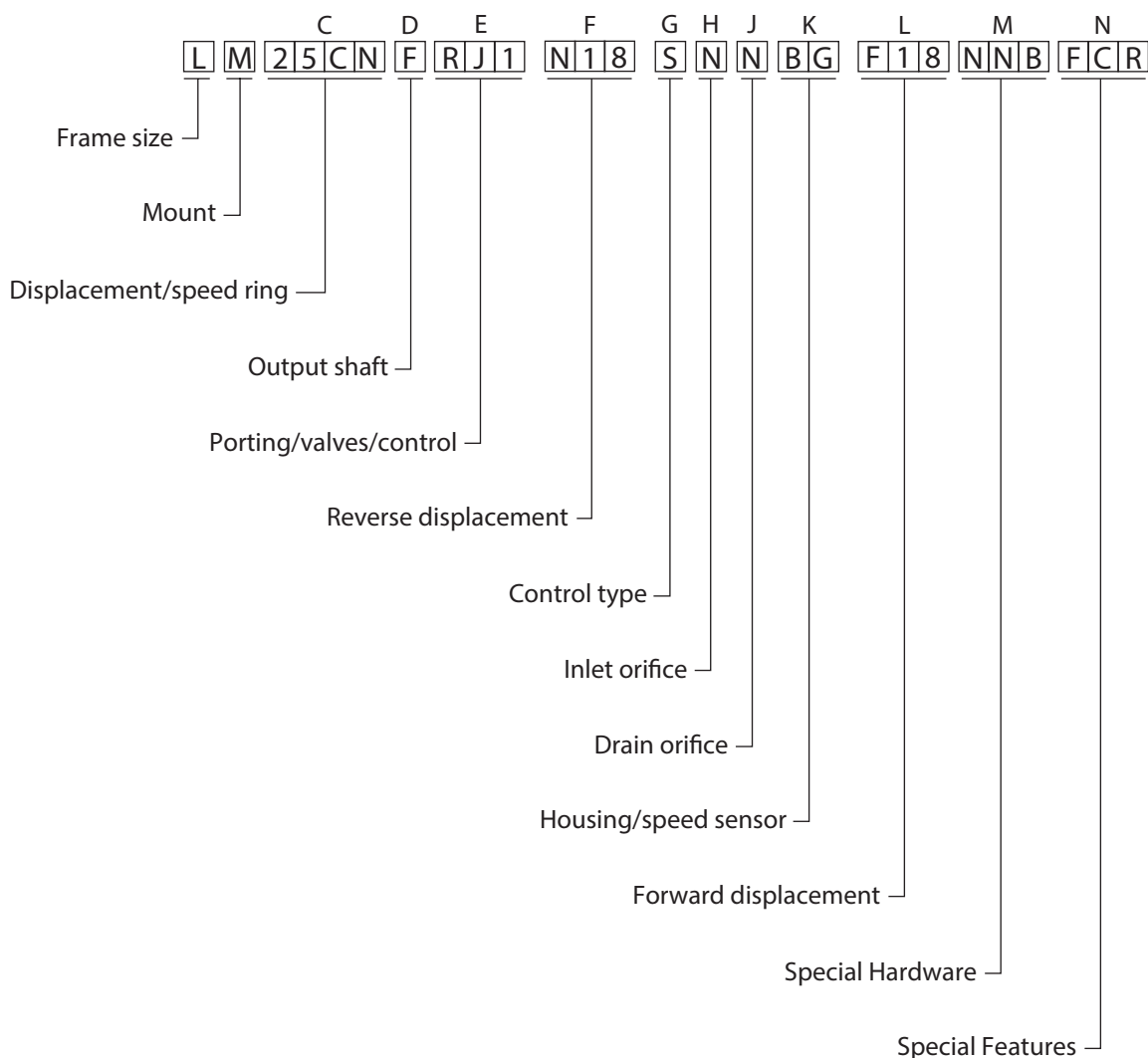
Q210	14-48		11150341	Overhaul seal kit, KM/LM	1
B004	14-48		4400011	Gasket	1
D006	14-48		11083450	Shaft dust seal	1
E063	14-48		001131 (9004201-5000)	O-ring	1
F002	14-48		8700066	Piston ring	1
F003	14-48		9004100-1270	O-ring	1
M003	14-48		11103135	Lip seal	1
QE080	14-48		11150342	Solenoid seal kit	1
QK010	14-48		001149 (9004201-6200)	O-ring	1
QK011	14-48		085043 (9004201-3700)	O-ring	1



Notes



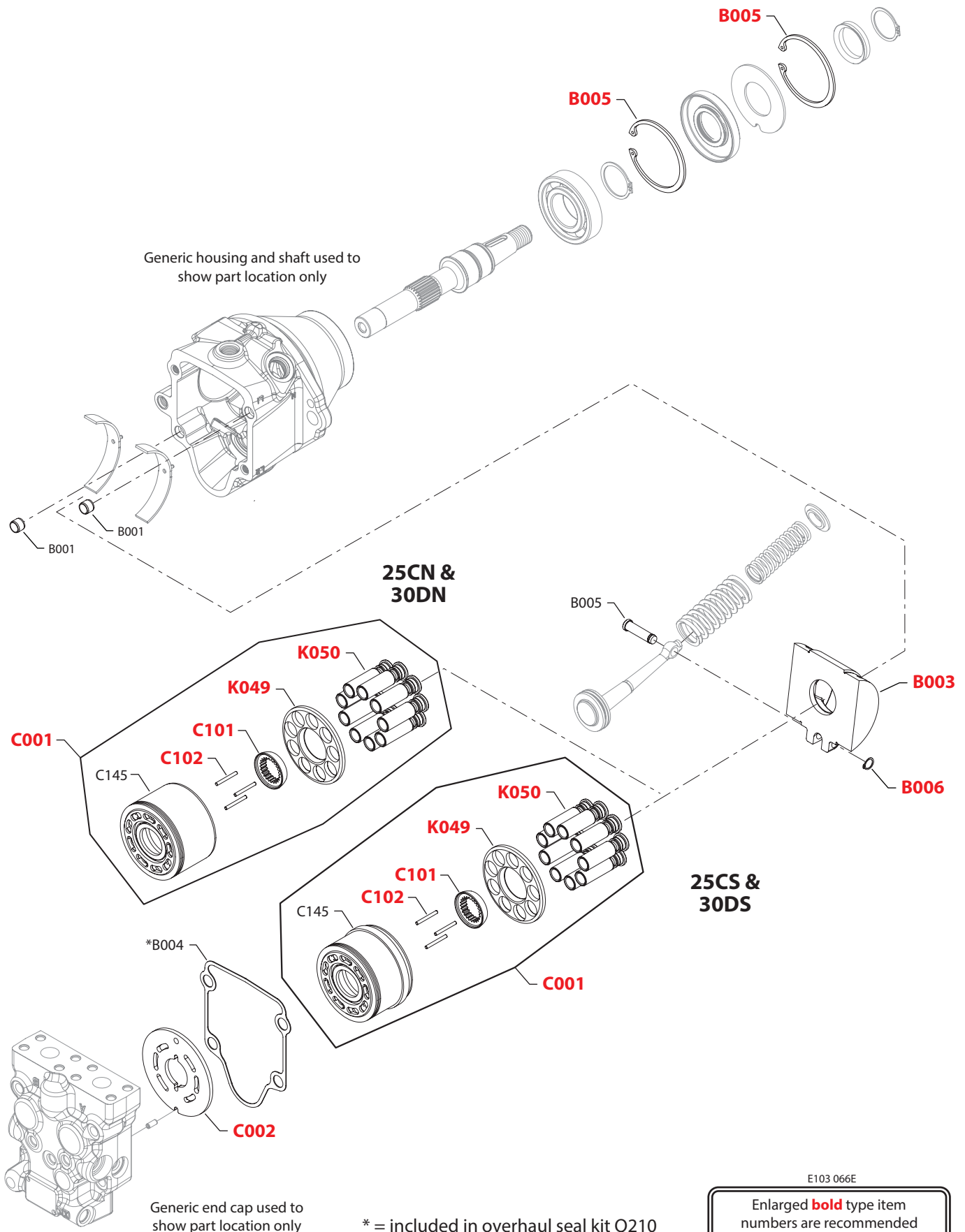
Order code, LM reverse displacement motor



P108 734E



LM reverse displacement motor




LM reverse displacement motor
Common parts

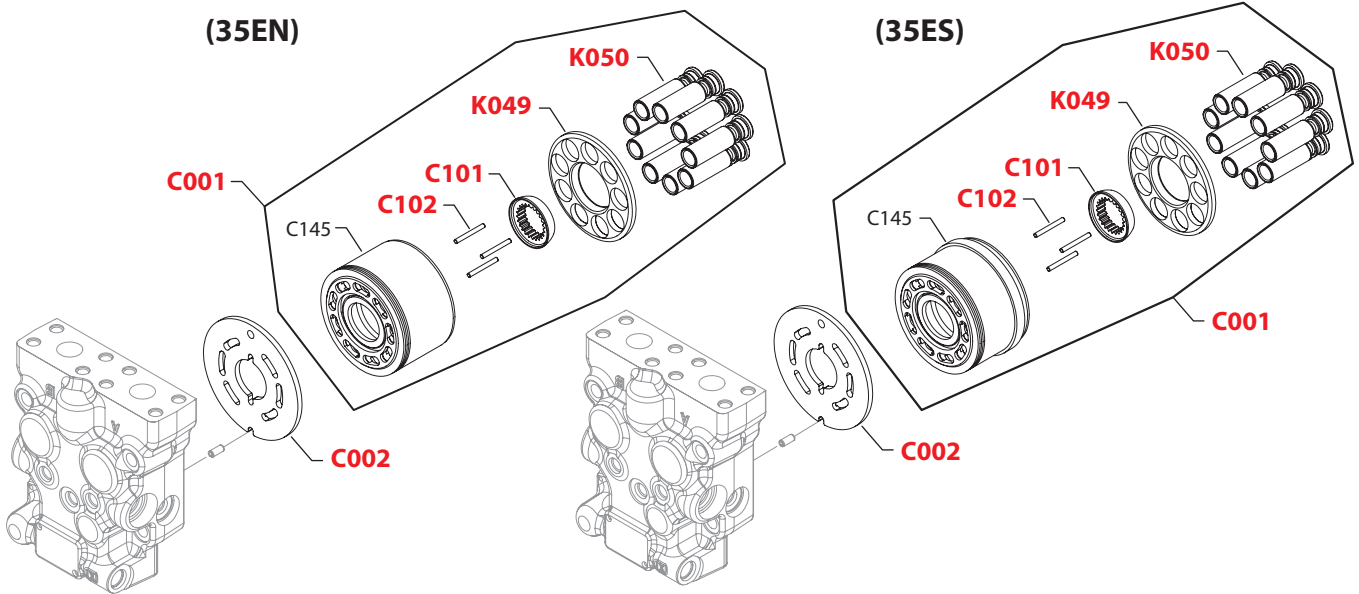
Order code	Item	Date begin	Date end	Part number	Part name	Qty. per model/kit
M	B001	14-14		4400090	Locator pin	2
	B002	14-14		615237 (9006200-0281)	Retaining ring	2
	B003	14-14		11169100	Swashplate (SB-2016-044)	1
	B003	14-14		4254592	Swashplate	1
	B004	14-14		4400011	Gasket	1
	B005	14-14		4400074	Headed pin	1
	B006	14-14		5000729	Retaining ring	1

Displacement

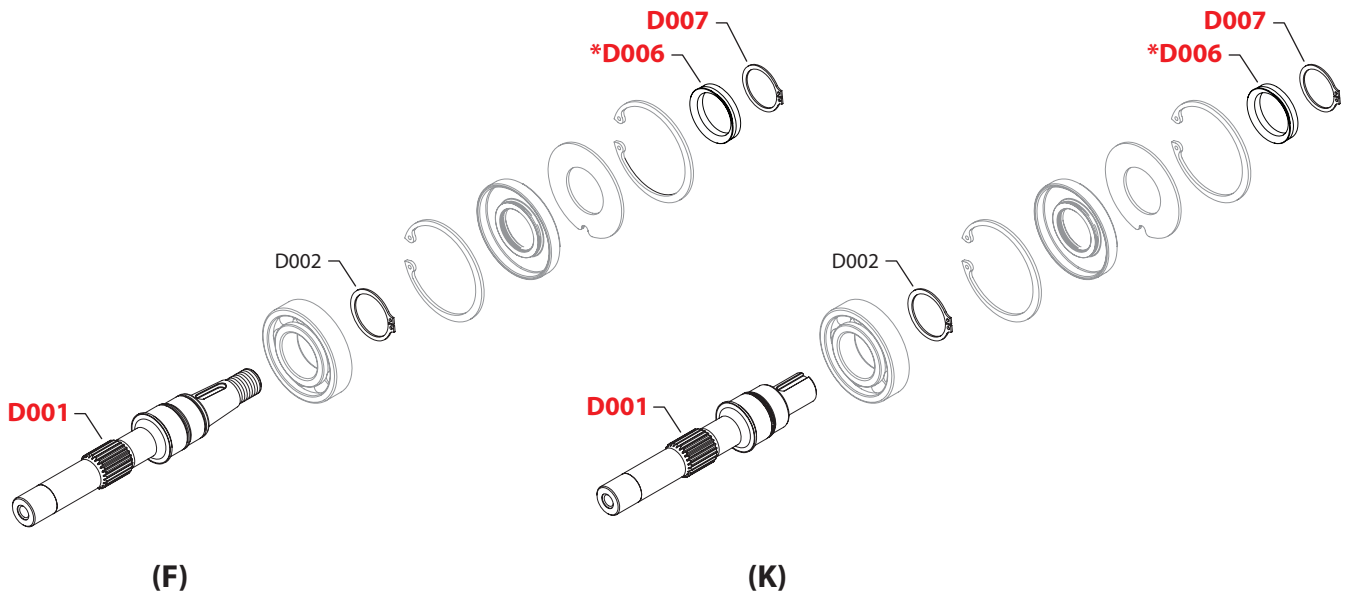
25CN	C001	14-14		11065308	Cylinder block kit	1
	C002	14-14		4254018	Valve plate	1
	C101	14-14		4400077	Slipper retainer guide	1
	C102	14-14		4700091	Slipper holddown pin	3
	C145	14-14		11089223	Cylinder block assembly	1
	K049	14-14		4254017	Slipper retainer	1
	K050	14-14		4254010	Piston assembly	9
	25CS	C001	14-14		11065309	Cylinder block kit with speed ring
C002		14-14		4254018	Valve plate	1
C101		14-14		4400077	Slipper retainer guide	1
C102		14-14		4700091	Slipper holddown pin	3
C145		14-14		11147694	Cylinder block assembly w/speed ring	1
K049		14-14		4254017	Slipper retainer	1
K050		14-14		4254010	Piston assembly	9
30DN		C001	14-14		11065310	Cylinder block kit
	C002	14-14		4254018	Valve plate	1
	C101	14-14		4400077	Slipper retainer guide	1
	C102	14-14		4700091	Slipper holddown pin	3
	C145	14-14		11089224	Cylinder block assembly	1
	K049	14-14		4254017	Slipper retainer	1
	K050	14-14		4254013	Piston assembly	9
	30DS	C001	14-14		11065311	Cylinder block kit w/speed ring
C002		14-14		4254018	Valve plate	1
C101		14-14		4400077	Slipper retainer guide	1
C102		14-14		4700091	Slipper holddown pin	3
C145		14-14		11147695	Cylinder block assembly w/speed ring	1
K049		14-14		4254017	Slipper retainer	1
K050		14-14		4254013	Piston assembly	9



LM reverse displacement motor



Generic end cap used to show part location only



* = included in overhaul seal kit Q210

E103 067E
 Enlarged **bold** type item numbers are recommended parts to be stocked for servicing


LM reverse displacement motor
Displacement

Order code	Item	Date begin	Date end	Part number	Part name	Qty. per model/kit
35EN	C001	14-14		11065322	Cylinder block kit	1
	C002	14-14		4254018	Valve plate	1
	C101	14-14		4400077	Slipper retainer guide	1
	C102	14-14		4700091	Slipper holddown pin	3
	C145	14-14		11147696	Cylinder block assembly	1
	K049	14-14		4254017	Slipper retainer	1
	K050	14-14		4254016	Piston assembly	9
	35ES	C001	14-14		11065323	Cylinder block kit with speed ring
C002		14-14		4254018	Valve plate	1
C101		14-14		4400077	Slipper retainer guide	1
C102		14-14		4700091	Slipper holddown pin	3
C145		14-14		11147697	Cylinder block assembly w/speed ring	1
K049		14-14		4254017	Slipper retainer	1
K050		14-14		4254016	Piston assembly	9

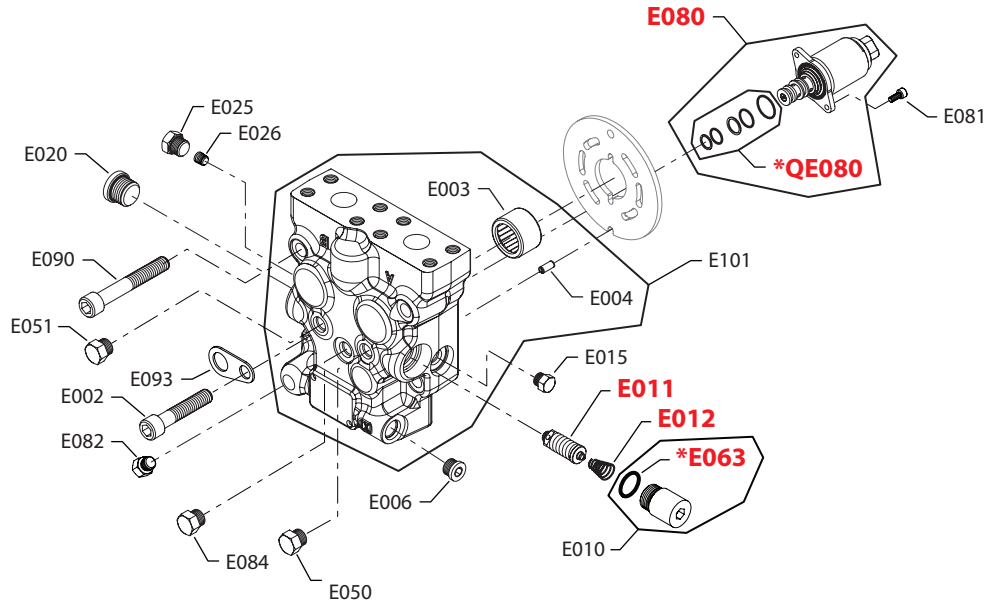
Shaft

F	D001	14-14		11160664	Shaft, tapered	1
	D002	14-14		9006300-0137	Retaining ring	1
	D006	14-14		11083450	Shaft dust seal	1
	D007	14-14		5000365	Retaining ring	1
K	D001	14-14		11142587	Shaft, straight key	1
	D002	14-14		9006300-0137	Retaining ring	1
	D006	14-14		11083450	Dust seal	1
	D007	14-14		5000365	Retaining ring	1



LM reverse displacement motor

(ED1 & ED2)



* = included in overhaul seal kit Q210

E103 257E

Enlarged **bold** type item numbers are recommended parts to be stocked for servicing

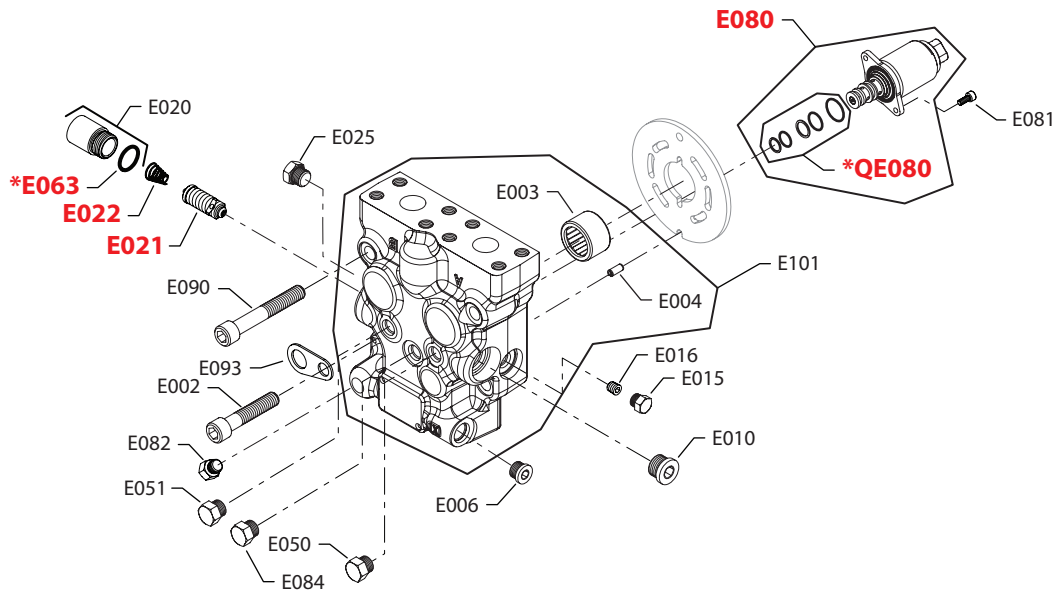

LM reverse displacement motor
Porting/valves/control

Order code	Item	Date begin	Date end	Part number	Part name	Qty. per model/kit
ED1	E002	14-14		680686	Screw	2
	E003	14-14		5000046	Needle bearing	1
	E004	14-14		9004700-1907	Slotted pin	1
	E006	14-14		046151 (9005110-5600)	Plug assembly	1
	E010	14-14		11126727	SCR plug assembly	1
	E011	14-14		3103375-0345	SCR valve assembly, 345 bar [5000 psi]	1
	E012	14-14		4800661	Conical spring	1
	E015	14-14		001511 (9005100-4400)	Plug assembly	1
	E020	14-14		001529 (9005110-7500)	Plug assembly	1
	E025	14-14		001511 (9005100-4400)	Plug assembly	1
	E026	14-14		9005001-0600	Pipe plug	1
	E050	14-14		001511 (9005100-4400)	Plug assembly	1
	E051	14-14		001511 (9005100-4400)	Plug assembly	1
	E063	14-14		001131 (9004201-5000)	O-ring	1
	E080	14-14		11090304	Solenoid valve, 12v	1
	E081	14-14		067694	Screw	2
	E082	14-14		9005100-3700	Plug assembly	1
	E084	14-14		001511 (9005100-4400)	Plug assembly	1
	E090	14-14		5000122	Screw	2
	E093	14-14		11138846	Lifting bracket	1
E101	14-14		11150348	End cap assembly, radial ports	1	
QE080	14-14		11150342	Solenoid seal kit	1	
ED2	E002	14-47		680686	Screw	2
	E003	14-47		5000046	Needle bearing	1
	E004	14-47		9004700-1907	Slotted pin	1
	E006	14-47		046151 (9005110-5600)	Plug assembly	1
	E010	14-47		11126727	SCR plug assembly	1
	E011	14-47		3103375-0345	SCR valve assembly, 345 bar [5000 psi]	1
	E012	14-47		4800661	Conical spring	1
	E015	14-47		001511 (9005100-4400)	Plug assembly	1
	E020	14-47		001529 (9005110-7500)	Plug assembly	1
	E025	14-47		001511 (9005100-4400)	Plug assembly	1
	E026	14-47		9005001-0600	Pipe plug	1
	E050	14-47		001511 (9005100-4400)	Plug assembly	1
	E051	14-47		001511 (9005100-4400)	Plug assembly	1
	E063	14-47		001131 (9004201-5000)	O-ring	1
	E080	14-47		11090306	Solenoid valve, 24v	1
	E081	14-47		067694	Screw	2
	E082	14-47		9005100-3700	Plug assembly	1
	E084	14-47		001511 (9005100-4400)	Plug assembly	1
	E090	14-47		5000122	Screw	2
	E093	14-47		11138846	Lifting bracket	1
E101	14-47		11150348	End cap assembly, radial ports	1	
QE080	14-47		11150342	Solenoid seal kit	1	



LM reverse displacement motor

(EE1 & EE2)



* = included in overhaul seal kit Q210

E103 068E

Enlarged **bold** type item numbers are recommended parts to be stocked for servicing

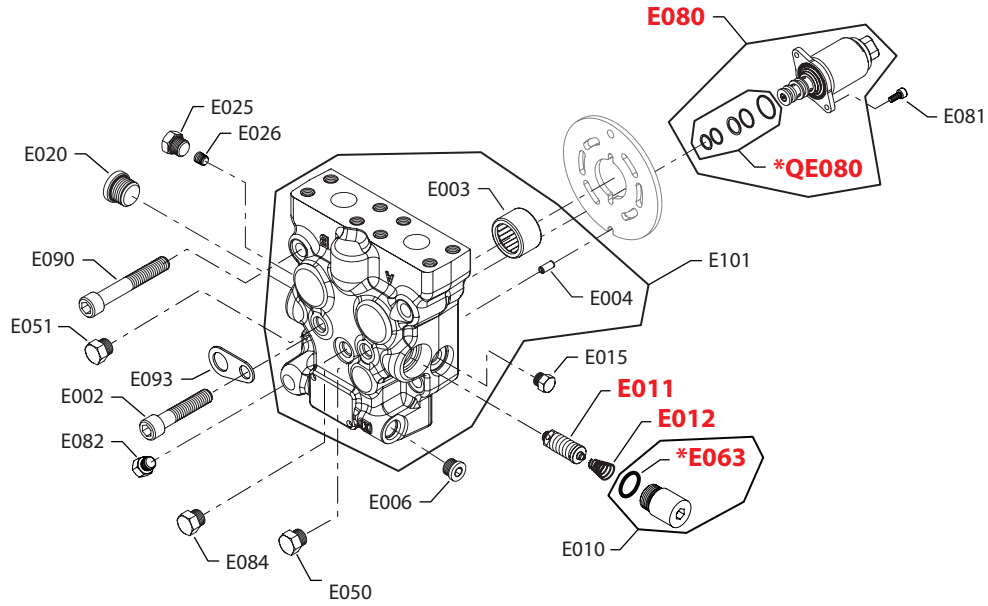

LM reverse displacement motor
Porting/valves/control

Order code	Item	Date begin	Date end	Part number	Part name	Qty. per model/kit
EE1	E002	14-14		680686	Screw	2
	E003	14-14		5000046	Needle bearing	1
	E004	14-14		9004700-1907	Slotted pin	1
	E006	14-14		046151 (9005110-5600)	Plug assembly	1
	E010	14-14		001529 (9005110-7500)	Plug assembly	1
	E015	14-14		001511 (9005100-4400)	Plug assembly	1
	E016	14-14		9005001-0600	Pipe plug	1
	E020	14-14		11126727	SCR plug assembly	1
	E021	14-14		3103375-0345	SCR valve assembly, 345 bar [5000 psi]	1
	E022	14-14		4800661	Conical spring	1
	E025	14-14		001511 (9005100-4400)	Plug assembly	1
	E050	14-14		001511 (9005100-4400)	Plug assembly	1
	E051	14-14		001511 (9005100-4400)	Plug assembly	1
	E063	14-14		001131 (9004201-5000)	O-ring	1
	E080	14-14		11090304	Solenoid valve, 12v	1
	E081	14-14		067694	Screw	2
	E082	14-14		9005100-3700	Plug assembly	1
	E084	14-14		001511 (9005100-4400)	Plug assembly	1
	E090	14-14		5000122	Screw	2
	E093	14-14		11138846	Lifting bracket	1
E101	14-14		11150348	End cap assembly, radial ports	1	
QE080	14-14		11150342	Solenoid seal kit	1	
EE2	E002	14-47		680686	Screw	2
	E003	14-47		5000046	Needle bearing	1
	E004	14-47		9004700-1907	Slotted pin	1
	E006	14-47		046151 (9005110-5600)	Plug assembly	1
	E010	14-47		001529 (9005110-7500)	Plug assembly	1
	E015	14-47		001511 (9005100-4400)	Plug assembly	1
	E016	14-47		9005001-0600	Pipe plug	1
	E020	14-47		11126727	SCR plug assembly	1
	E021	14-47		3103375-0345	SCR valve assembly, 345 bar [5000 psi]	1
	E022	14-47		4800661	Conical spring	1
	E025	14-47		001511 (9005100-4400)	Plug assembly	1
	E050	14-47		001511 (9005100-4400)	Plug assembly	1
	E051	14-47		001511 (9005100-4400)	Plug assembly	1
	E063	14-47		001131 (9004201-5000)	O-ring	1
	E080	14-47		11090306	Solenoid valve, 24v	1
	E081	14-47		067694	Screw	2
	E082	14-47		9005100-3700	Plug assembly	1
	E084	14-47		001511 (9005100-4400)	Plug assembly	1
	E090	14-47		5000122	Screw	2
	E093	14-47		11138846	Lifting bracket	1
E101	14-47		11150348	End cap assembly, radial ports	1	
QE080	14-47		11150342	Solenoid seal kit	1	



LM reverse displacement motor

(EF1 & EF2)



* = included in overhaul seal kit Q210

E103 257E

Enlarged **bold** type item numbers are recommended parts to be stocked for servicing

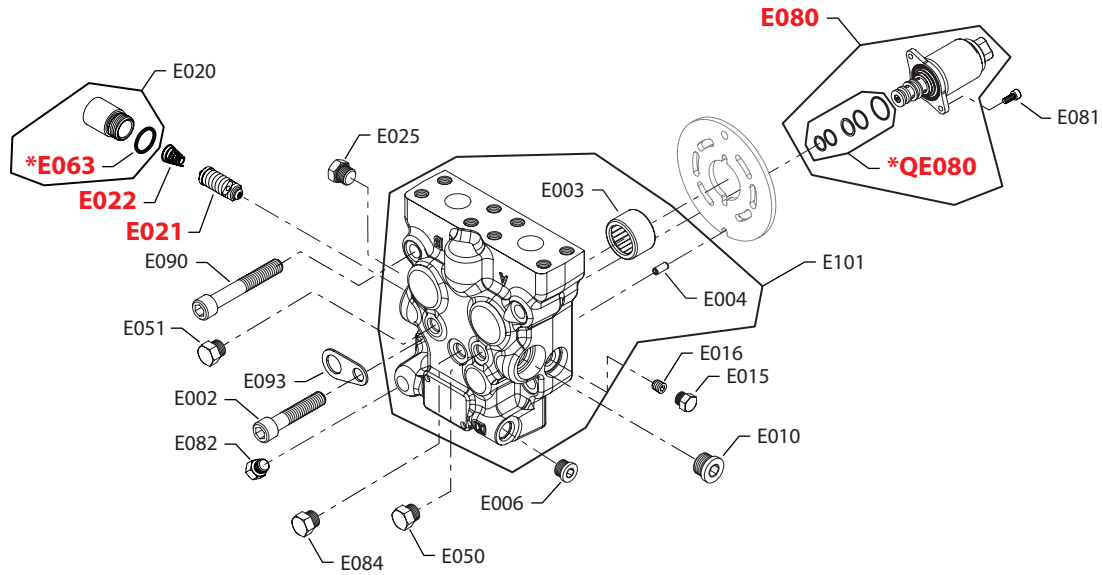

LM reverse displacement motor
Porting/valves/control

Order code	Item	Date begin	Date end	Part number	Part name	Qty. per model/kit
EF1	E002	14-14		680686	Screw	2
	E003	14-14		5000046	Needle bearing	1
	E004	14-14		9004700-1907	Slotted pin	1
	E006	14-14		046151 (9005110-5600)	Plug assembly	1
	E010	14-14		11126727	SCR plug assembly	1
	E011	14-14		3103375-0280	SCR valve assembly, 280 bar [4060 psi]	1
	E012	14-14		4800661	Conical spring	1
	E015	14-14		001511 (9005100-4400)	Plug assembly	1
	E020	14-14		001529 (9005110-7500)	Plug assembly	1
	E025	14-14		001511 (9005100-4400)	Plug assembly	1
	E026	14-14		9005001-0600	Pipe plug	1
	E050	14-14		001511 (9005100-4400)	Plug assembly	1
	E051	14-14		001511 (9005100-4400)	Plug assembly	1
	E063	14-14		001131 (9004201-5000)	O-ring	1
	E080	14-14		11090304	Solenoid valve, 12v	1
	E081	14-14		067694	Screw	2
	E082	14-14		9005100-3700	Plug assembly	1
	E084	14-14		001511 (9005100-4400)	Plug assembly	1
	E090	14-14		5000122	Screw	2
	E093	14-14		11138846	Lifting bracket	1
E101	14-14		11150348	End cap assembly, radial ports	1	
QE080	14-14		11150342	Solenoid seal kit	1	
EF2	E002	14-47		680686	Screw	2
	E003	14-47		5000046	Needle bearing	1
	E004	14-47		9004700-1907	Slotted pin	1
	E006	14-47		046151 (9005110-5600)	Plug assembly	1
	E010	14-47		11126727	SCR plug assembly	1
	E011	14-47		3103375-0280	SCR valve assembly, 280 bar [4060 psi]	1
	E012	14-47		4800661	Conical spring	1
	E015	14-47		001511 (9005100-4400)	Plug assembly	1
	E020	14-47		001529 (9005110-7500)	Plug assembly	1
	E025	14-47		001511 (9005100-4400)	Plug assembly	1
	E026	14-47		9005001-0600	Pipe plug	1
	E050	14-47		001511 (9005100-4400)	Plug assembly	1
	E051	14-47		001511 (9005100-4400)	Plug assembly	1
	E063	14-47		001131 (9004201-5000)	O-ring	1
	E080	14-47		11090306	Solenoid valve, 24v	1
	E081	14-47		067694	Screw	2
	E082	14-47		9005100-3700	Plug assembly	1
	E084	14-47		001511 (9005100-4400)	Plug assembly	1
	E090	14-47		5000122	Screw	2
	E093	14-47		11138846	Lifting bracket	1
E101	14-47		11150348	End cap assembly, radial ports	1	
QE080	14-47		11150342	Solenoid seal kit	1	



LM reverse displacement motor

(EG1 & EG2)



* = included in overhaul seal kit Q210

E103 258E

Enlarged **bold** type item numbers are recommended parts to be stocked for servicing

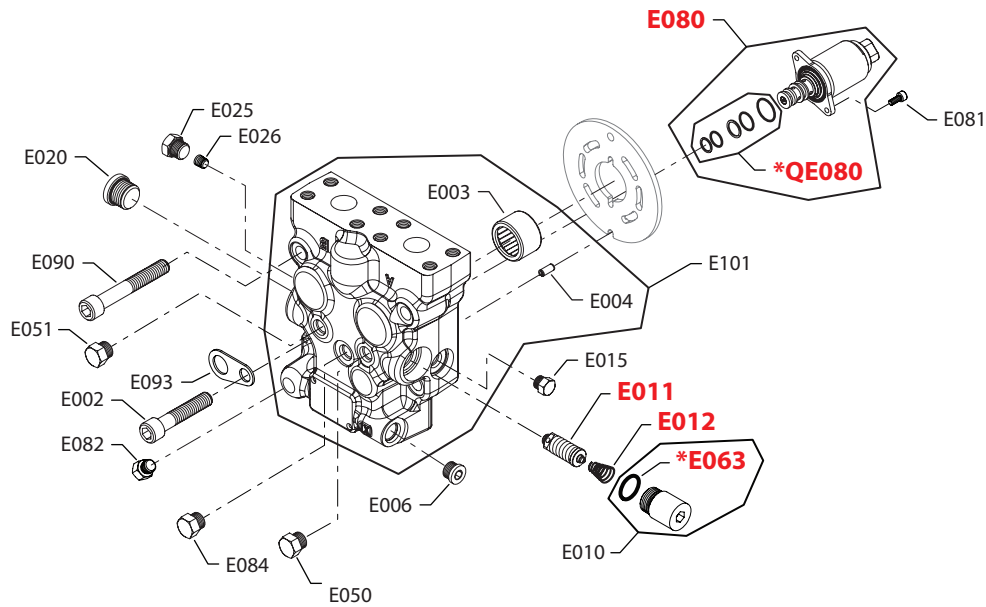

LM reverse displacement motor
Porting/valves/control

Order code	Item	Date begin	Date end	Part number	Part name	Qty. per model/kit
EG1	E002	14-14		680686	Screw	2
	E003	14-14		5000046	Needle bearing	1
	E004	14-14		9004700-1907	Slotted pin	1
	E006	14-14		046151 (9005110-5600)	Plug assembly	1
	E010	14-14		001529 (9005110-7500)	Plug assembly	1
	E015	14-14		001511 (9005100-4400)	Plug assembly	1
	E016	14-14		9005001-0600	Pipe plug	1
	E020	14-14		11126727	SCR plug assembly	1
	E021	14-14		3103375-0280	SCR valve assembly, 280 bar [4060 psi]	1
	E022	14-14		4800661	Conical spring	1
	E025	14-14		001511 (9005100-4400)	Plug assembly	1
	E050	14-14		001511 (9005100-4400)	Plug assembly	1
	E051	14-14		001511 (9005100-4400)	Plug assembly	1
	E063	14-14		001131 (9004201-5000)	O-ring	1
	E080	14-14		11090304	Solenoid valve, 12v	1
	E081	14-14		067694	Screw	2
	E082	14-14		9005100-3700	Plug assembly	1
	E084	14-14		001511 (9005100-4400)	Plug assembly	1
	E090	14-14		5000122	Screw	2
	E093	14-14		11138846	Lifting bracket	1
E101	14-14		11150348	End cap assembly, radial ports	1	
QE080	14-14		11150342	Solenoid seal kit	1	
EG2	E002	14-47		680686	Screw	2
	E003	14-47		5000046	Needle bearing	1
	E004	14-47		9004700-1907	Slotted pin	1
	E006	14-47		046151 (9005110-5600)	Plug assembly	1
	E010	14-47		001529 (9005110-7500)	Plug assembly	1
	E015	14-47		001511 (9005100-4400)	Plug assembly	1
	E016	14-47		9005001-0600	Pipe plug	1
	E020	14-47		11126727	SCR plug assembly	1
	E021	14-47		3103375-0280	SCR valve assembly, 280 bar [4060 psi]	1
	E022	14-47		4800661	Conical spring	1
	E025	14-47		001511 (9005100-4400)	Plug assembly	1
	E050	14-47		001511 (9005100-4400)	Plug assembly	1
	E051	14-47		001511 (9005100-4400)	Plug assembly	1
	E063	14-47		001131 (9004201-5000)	O-ring	1
	E080	14-47		11090306	Solenoid valve, 24v	1
	E081	14-47		067694	Screw	2
	E082	14-47		9005100-3700	Plug assembly	1
	E084	14-47		001511 (9005100-4400)	Plug assembly	1
	E090	14-47		5000122	Screw	2
	E093	14-47		11138846	Lifting bracket	1
E101	14-47		11150348	End cap assembly, radial ports	1	
QE080	14-47		11150342	Solenoid seal kit	1	



LM reverse displacement motor

(EH1 & EH2)



* = included in overhaul seal kit Q210

E103 257E

Enlarged **bold** type item numbers are recommended parts to be stocked for servicing

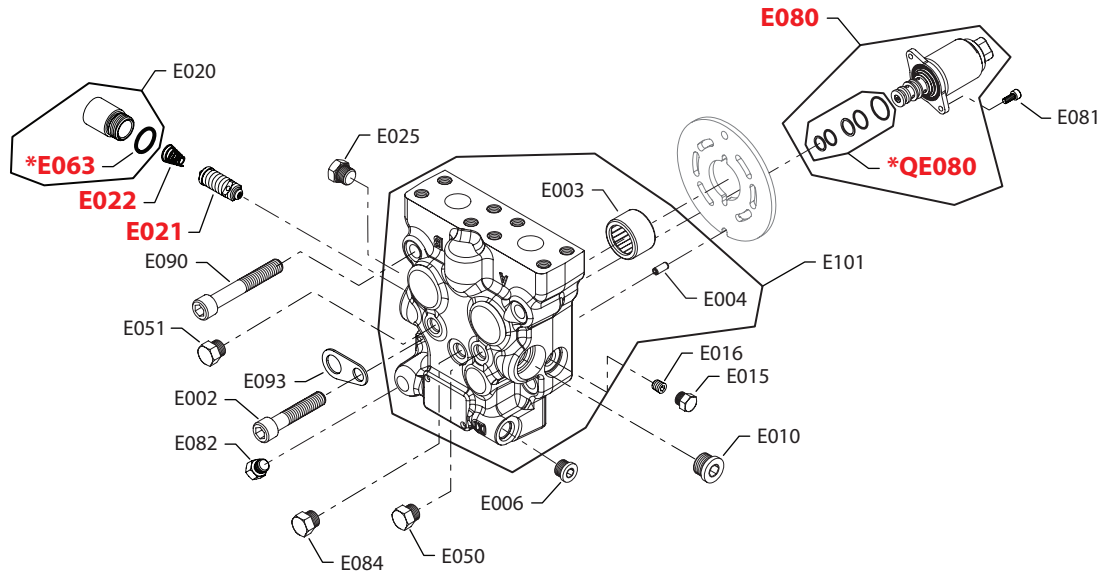

LM reverse displacement motor
Porting/valves/control

Order code	Item	Date begin	Date end	Part number	Part name	Qty. per model/kit
EH1	E002	15-11		680686	Screw	2
	E003	15-11		5000046	Needle bearing	1
	E004	15-11		9004700-1907	Slotted pin	1
	E006	15-11		046151 (9005110-5600)	Plug assembly	1
	E010	15-11		11126727	SCR plug assembly	1
	E011	15-11		3103375-0230	SCR valve assembly, 230 bar [3335 psi]	1
	E012	15-11		4800661	Conical spring	1
	E015	15-11		001511 (9005100-4400)	Plug assembly	1
	E020	15-11		001529 (9005110-7500)	Plug assembly	1
	E025	15-11		001511 (9005100-4400)	Plug assembly	1
	E026	15-11		9005001-0600	Pipe plug	1
	E050	15-11		001511 (9005100-4400)	Plug assembly	1
	E051	15-11		001511 (9005100-4400)	Plug assembly	1
	E063	15-11		001131 (9004201-5000)	O-ring	1
	E080	15-11		11090304	Solenoid valve, 12v	1
	E081	15-11		067694	Screw	2
	E082	15-11		9005100-3700	Plug assembly	1
	E084	15-11		001511 (9005100-4400)	Plug assembly	1
	E090	15-11		5000122	Screw	2
	E093	15-11		11138846	Lifting bracket	1
E101	15-11		11150348	End cap assembly, radial ports	1	
QE080	15-11		11150342	Solenoid seal kit	1	
EH2	E002	15-11		680686	Screw	2
	E003	15-11		5000046	Needle bearing	1
	E004	15-11		9004700-1907	Slotted pin	1
	E006	15-11		046151 (9005110-5600)	Plug assembly	1
	E010	15-11		11126727	SCR plug assembly	1
	E011	15-11		3103375-0230	SCR valve assembly, 230 bar [3335 psi]	1
	E012	15-11		4800661	Conical spring	1
	E015	15-11		001511 (9005100-4400)	Plug assembly	1
	E020	15-11		001529 (9005110-7500)	Plug assembly	1
	E025	15-11		001511 (9005100-4400)	Plug assembly	1
	E026	15-11		9005001-0600	Pipe plug	1
	E050	15-11		001511 (9005100-4400)	Plug assembly	1
	E051	15-11		001511 (9005100-4400)	Plug assembly	1
	E063	15-11		001131 (9004201-5000)	O-ring	1
	E080	15-11		11090306	Solenoid valve, 24v	1
	E081	15-11		067694	Screw	2
	E082	15-11		9005100-3700	Plug assembly	1
	E084	15-11		001511 (9005100-4400)	Plug assembly	1
	E090	15-11		5000122	Screw	2
	E093	15-11		11138846	Lifting bracket	1
E101	15-11		11150348	End cap assembly, radial ports	1	
QE080	15-11		11150342	Solenoid seal kit	1	



LM reverse displacement motor

(E11 & E12)



* = included in overhaul seal kit Q210

E103 258E

Enlarged **bold** type item numbers are recommended parts to be stocked for servicing

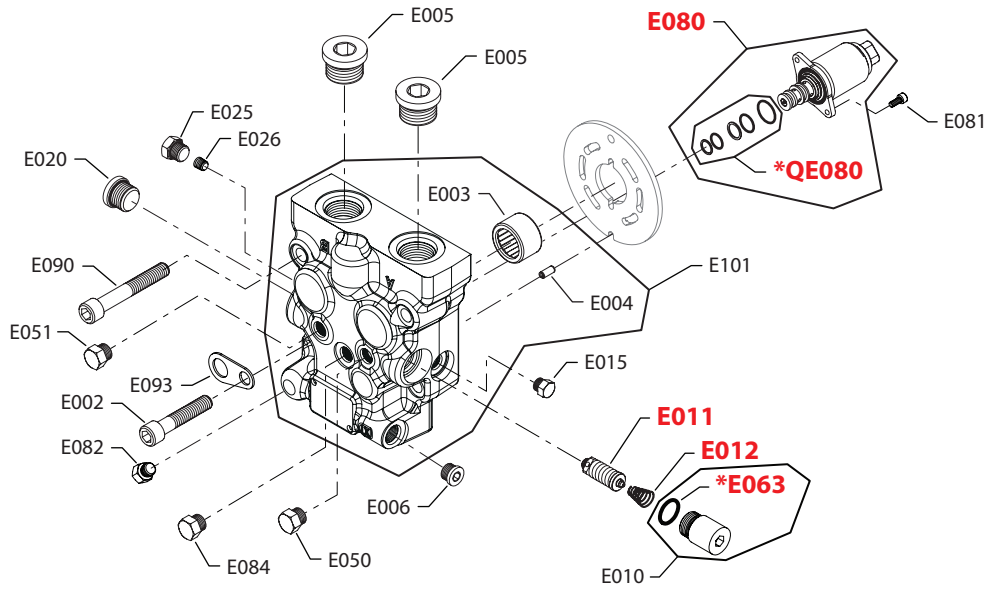

LM reverse displacement motor
Porting/valves/control

Order code	Item	Date begin	Date end	Part number	Part name	Qty. per model/kit
EI1	E002	15-11		680686	Screw	2
	E003	15-11		5000046	Needle bearing	1
	E004	15-11		9004700-1907	Slotted pin	1
	E006	15-11		046151 (9005110-5600)	Plug assembly	1
	E010	15-11		001529 (9005110-7500)	Plug assembly	1
	E015	15-11		001511 (9005100-4400)	Plug assembly	1
	E016	15-11		9005001-0600	Pipe plug	1
	E020	15-11		11126727	SCR plug assembly	1
	E021	15-11		3103375-0230	SCR valve assembly, 230 bar [3335 psi]	1
	E022	15-11		4800661	Conical spring	1
	E025	15-11		001511 (9005100-4400)	Plug assembly	1
	E050	15-11		001511 (9005100-4400)	Plug assembly	1
	E051	15-11		001511 (9005100-4400)	Plug assembly	1
	E063	15-11		001131 (9004201-5000)	O-ring	1
	E080	15-11		11090304	Solenoid valve, 12v	1
	E081	15-11		067694	Screw	2
	E082	15-11		9005100-3700	Plug assembly	1
	E084	15-11		001511 (9005100-4400)	Plug assembly	1
	E090	15-11		5000122	Screw	2
	E093	15-11		11138846	Lifting bracket	1
	E101	15-11		11150348	End cap assembly, radial ports	1
	QE080	15-11		11150342	Solenoid seal kit	1
EI2	E002	15-11		680686	Screw	2
	E003	15-11		5000046	Needle bearing	1
	E004	15-11		9004700-1907	Slotted pin	1
	E006	15-11		046151 (9005110-5600)	Plug assembly	1
	E010	15-11		001529 (9005110-7500)	Plug assembly	1
	E015	15-11		001511 (9005100-4400)	Plug assembly	1
	E016	15-11		9005001-0600	Pipe plug	1
	E020	15-11		11126727	SCR plug assembly	1
	E021	15-11		3103375-0230	SCR valve assembly, 230 bar [3335 psi]	1
	E022	15-11		4800661	Conical spring	1
	E025	15-11		001511 (9005100-4400)	Plug assembly	1
	E050	15-11		001511 (9005100-4400)	Plug assembly	1
	E051	15-11		001511 (9005100-4400)	Plug assembly	1
	E063	15-11		001131 (9004201-5000)	O-ring	1
	E080	15-11		11090306	Solenoid valve, 24v	1
	E081	15-11		067694	Screw	2
	E082	15-11		9005100-3700	Plug assembly	1
	E084	15-11		001511 (9005100-4400)	Plug assembly	1
	E090	15-11		5000122	Screw	2
	E093	15-11		11138846	Lifting bracket	1
	E101	15-11		11150348	End cap assembly, radial ports	1
	QE080	15-11		11150342	Solenoid seal kit	1



LM reverse displacement motor

(MD1 & MD2)



* = included in overhaul seal kit Q210

E103 259E

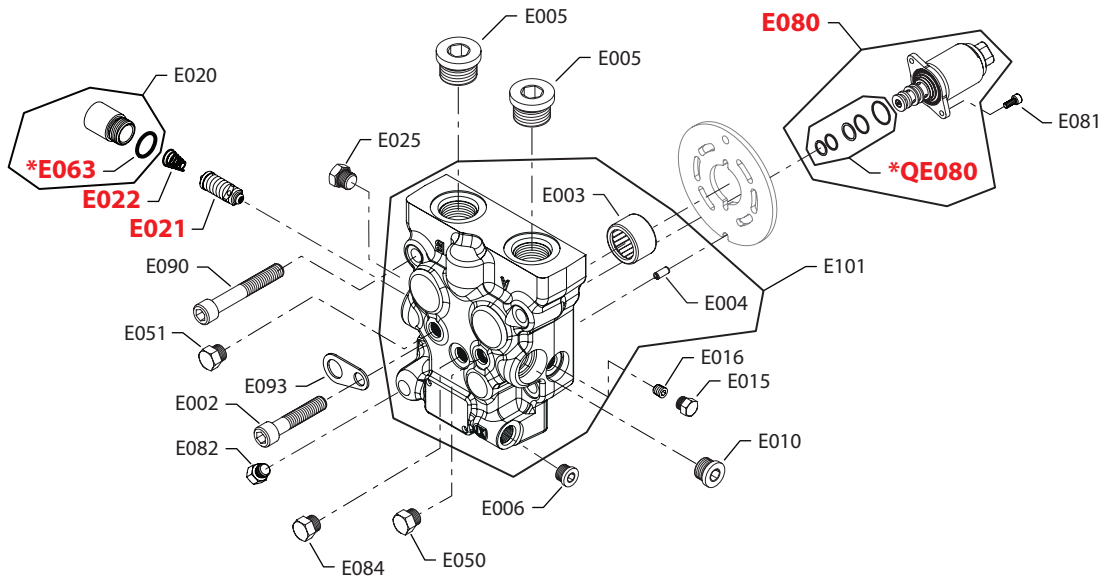
Enlarged **bold** type item numbers are recommended parts to be stocked for servicing


LM reverse displacement motor
Porting/valves/control

Order code	Item	Date begin	Date end	Part number	Part name	Qty. per model/kit
MD1	E002	14-14		680686	Screw	2
	E003	14-14		5000046	Needle bearing	1
	E004	14-14		9004700-1907	Slotted pin	1
	E005	14-14		11134927	Plug assembly	2
	E006	14-14		5000591	Plug assembly	1
	E010	14-14		11126727	SCR plug assembly	1
	E011	14-14		3103375-0345	SCR valve assembly, 345 bar [5000 psi]	1
	E012	14-14		4800661	Conical spring	1
	E015	14-14		001511 (9005100-4400)	Plug assembly	1
	E020	14-14		001529 (9005110-7500)	Plug assembly	1
	E025	14-14		001511 (9005100-4400)	Plug assembly	1
	E026	14-14		9005001-0600	Pipe plug	1
	E050	14-14		001511 (9005100-4400)	Plug assembly	1
	E051	14-14		001511 (9005100-4400)	Plug assembly	1
	E063	14-14		001131 (9004201-5000)	O-ring	1
	E080	14-14		11090304	Solenoid valve, 12v	1
	E081	14-14		067694	Screw	2
	E082	14-14		9005100-3700	Plug assembly	1
	E084	14-14		001511 (9005100-4400)	Plug assembly	1
	E090	14-14		5000122	Screw	2
E093	14-14		11138846	Lifting bracket	1	
E101	14-14		11150347	End cap assembly, radial ports, metric	1	
QE080	14-14		11150342	Solenoid seal kit	1	
MD2	E002	14-47		680686	Screw	2
	E003	14-47		5000046	Needle bearing	1
	E004	14-47		9004700-1907	Slotted pin	1
	E005	14-47		11134927	Plug assembly	2
	E006	14-47		5000591	Plug assembly	1
	E010	14-47		11126727	SCR plug assembly	1
	E011	14-47		3103375-0345	SCR valve assembly, 345 bar [5000 psi]	1
	E012	14-47		4800661	Conical spring	1
	E015	14-47		001511 (9005100-4400)	Plug assembly	1
	E020	14-47		001529 (9005110-7500)	Plug assembly	1
	E025	14-47		001511 (9005100-4400)	Plug assembly	1
	E026	14-47		9005001-0600	Pipe plug	1
	E050	14-47		001511 (9005100-4400)	Plug assembly	1
	E051	14-47		001511 (9005100-4400)	Plug assembly	1
	E063	14-47		001131 (9004201-5000)	O-ring	1
	E080	14-47		11090306	Solenoid valve, 24v	1
	E081	14-47		067694	Screw	2
	E082	14-47		9005100-3700	Plug assembly	1
	E084	14-47		001511 (9005100-4400)	Plug assembly	1
	E090	14-47		5000122	Screw	2
E093	14-47		11138846	Lifting bracket	1	
E101	14-47		11150347	End cap assembly, radial ports, metric	1	
QE080	14-47		11150342	Solenoid seal kit	1	



(ME1 & ME2)



* = included in overhaul seal kit Q210

E103 270E

Enlarged **bold** type item numbers are recommended parts to be stocked for servicing

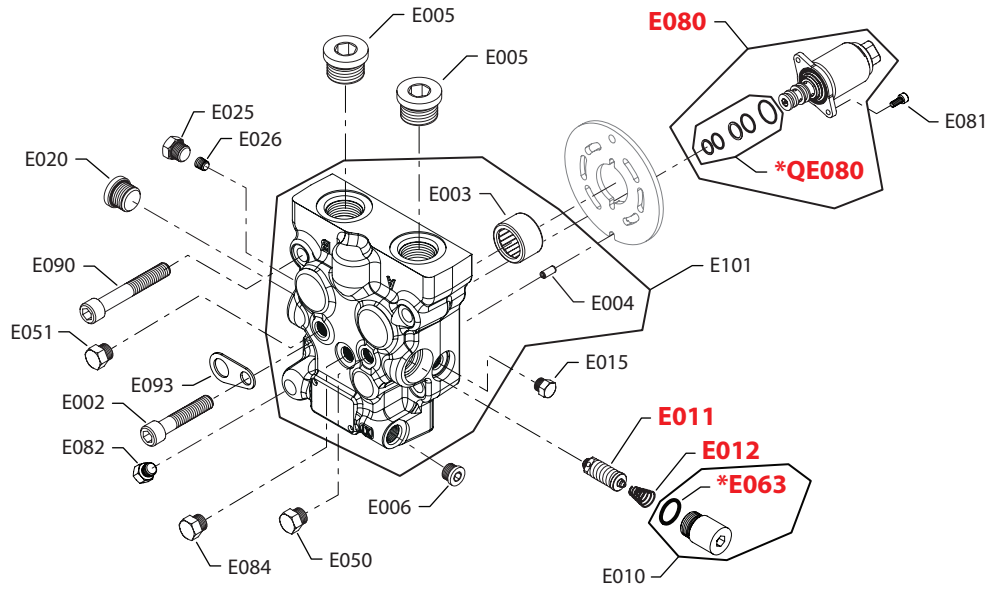

Porting/valves/control

Order code	Item	Date begin	Date end	Part number	Part name	Qty. per model/kit
ME1	E002	14-14		680686	Screw	2
	E003	14-14		5000046	Needle bearing	1
	E004	14-14		9004700-1907	Slotted pin	1
	E005	14-14		11134927	Plug assembly	2
	E006	14-14		5000591	Plug assembly	1
	E010	14-14		001529 (9005110-7500)	Plug assembly	1
	E015	14-14		001511 (9005100-4400)	Plug assembly	1
	E016	14-14		9005001-0600	Pipe plug	1
	E020	14-14		11126727	SCR plug assembly	1
	E021	14-14		3103375-0345	SCR valve assembly, 345 bar [5000 psi]	1
	E022	14-14		4800661	Conical spring	1
	E025	14-14		001511 (9005100-4400)	Plug assembly	1
	E050	14-14		001511 (9005100-4400)	Plug assembly	1
	E051	14-14		001511 (9005100-4400)	Plug assembly	1
	E063	14-14		001131 (9004201-5000)	O-ring	1
	E080	14-14		11090304	Solenoid valve, 12v	1
	E081	14-14		067694	Screw	2
	E082	14-14		9005100-3700	Plug assembly	1
	E084	14-14		001511 (9005100-4400)	Plug assembly	1
	E090	14-14		5000122	Screw	2
E093	14-14		11138846	Lifting bracket	1	
E101	14-14		11150347	End cap assembly, radial ports, metric	1	
QE080	14-14		11150342	Solenoid seal kit	1	
ME2	E002	14-47		680686	Screw	2
	E003	14-47		5000046	Needle bearing	1
	E004	14-47		9004700-1907	Slotted pin	1
	E005	14-47		11134927	Plug assembly	2
	E006	14-47		5000591	Plug assembly	1
	E010	14-47		001529 (9005110-7500)	Plug assembly	1
	E015	14-47		001511 (9005100-4400)	Plug assembly	1
	E016	14-47		9005001-0600	Pipe plug	1
	E020	14-47		11126727	SCR plug assembly	1
	E021	14-47		3103375-0345	SCR valve assembly, 345 bar [5000 psi]	1
	E022	14-47		4800661	Conical spring	1
	E025	14-47		001511 (9005100-4400)	Plug assembly	1
	E050	14-47		001511 (9005100-4400)	Plug assembly	1
	E051	14-47		001511 (9005100-4400)	Plug assembly	1
	E063	14-47		001131 (9004201-5000)	O-ring	1
	E080	14-47		11090306	Solenoid valve, 24v	1
	E081	14-47		067694	Screw	2
	E082	14-47		9005100-3700	Plug assembly	1
	E084	14-47		001511 (9005100-4400)	Plug assembly	1
	E090	14-47		5000122	Screw	2
E093	14-47		11138846	Lifting bracket	1	
E101	14-47		11150347	End cap assembly, radial ports, metric	1	
QE080	14-47		11150342	Solenoid seal kit	1	



LM reverse displacement motor

(MF1 & MF2)



* = included in overhaul seal kit Q210

E103 259E

Enlarged **bold** type item numbers are recommended parts to be stocked for servicing

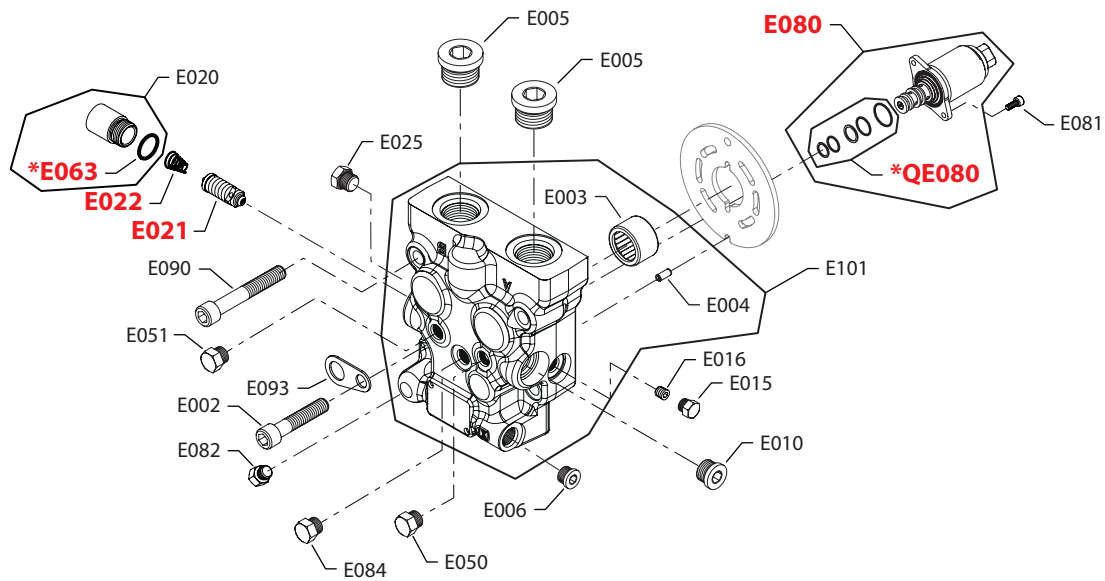

LM reverse displacement motor
Porting/valves/control

Order code	Item	Date begin	Date end	Part number	Part name	Qty. per model/kit
MF1	E002	14-14		680686	Screw	2
	E003	14-14		5000046	Needle bearing	1
	E004	14-14		9004700-1907	Slotted pin	1
	E005	14-14		11134927	Plug assembly	2
	E006	14-14		5000591	Plug assembly	1
	E010	14-14		11126727	SCR plug assembly	1
	E011	14-14		3103375-0280	SCR valve assembly, 280 bar [4060 psi]	1
	E012	14-14		4800661	Conical spring	1
	E015	14-14		001511 (9005100-4400)	Plug assembly	1
	E020	14-14		001529 (9005110-7500)	Plug assembly	1
	E025	14-14		001511 (9005100-4400)	Plug assembly	1
	E026	14-14		9005001-0600	Pipe plug	1
	E050	14-14		001511 (9005100-4400)	Plug assembly	1
	E051	14-14		001511 (9005100-4400)	Plug assembly	1
	E063	14-14		001131 (9004201-5000)	O-ring	1
	E080	14-14		11090304	Solenoid valve, 12v	1
	E081	14-14		067694	Screw	2
	E082	14-14		9005100-3700	Plug assembly	1
	E084	14-14		001511 (9005100-4400)	Plug assembly	1
	E090	14-14		5000122	Screw	2
E093	14-14		11138846	Lifting bracket	1	
E101	14-14		11150347	End cap assembly, radial ports, metric	1	
QE080	14-14		11150342	Solenoid seal kit	1	
MF2	E002	14-47		680686	Screw	2
	E003	14-47		5000046	Needle bearing	1
	E004	14-47		9004700-1907	Slotted pin	1
	E005	14-47		11134927	Plug assembly	2
	E006	14-47		5000591	Plug assembly	1
	E010	14-47		11126727	SCR plug assembly	1
	E011	14-47		3103375-0280	SCR valve assembly, 280 bar [4060 psi]	1
	E012	14-47		4800661	Conical spring	1
	E015	14-47		001511 (9005100-4400)	Plug assembly	1
	E020	14-47		001529 (9005110-7500)	Plug assembly	1
	E025	14-47		001511 (9005100-4400)	Plug assembly	1
	E026	14-47		9005001-0600	Pipe plug	1
	E050	14-47		001511 (9005100-4400)	Plug assembly	1
	E051	14-47		001511 (9005100-4400)	Plug assembly	1
	E063	14-47		001131 (9004201-5000)	O-ring	1
	E080	14-47		11090306	Solenoid valve, 24v	1
	E081	14-47		067694	Screw	2
	E082	14-47		9005100-3700	Plug assembly	1
	E084	14-47		001511 (9005100-4400)	Plug assembly	1
	E090	14-47		5000122	Screw	2
E093	14-47		11138846	Lifting bracket	1	
E101	14-47		11150347	End cap assembly, radial ports, metric	1	
QE080	14-47		11150342	Solenoid seal kit	1	



LM reverse displacement motor

(MG1 & MG2)



* = included in overhaul seal kit Q210

E103 270E

Enlarged **bold** type item numbers are recommended parts to be stocked for servicing

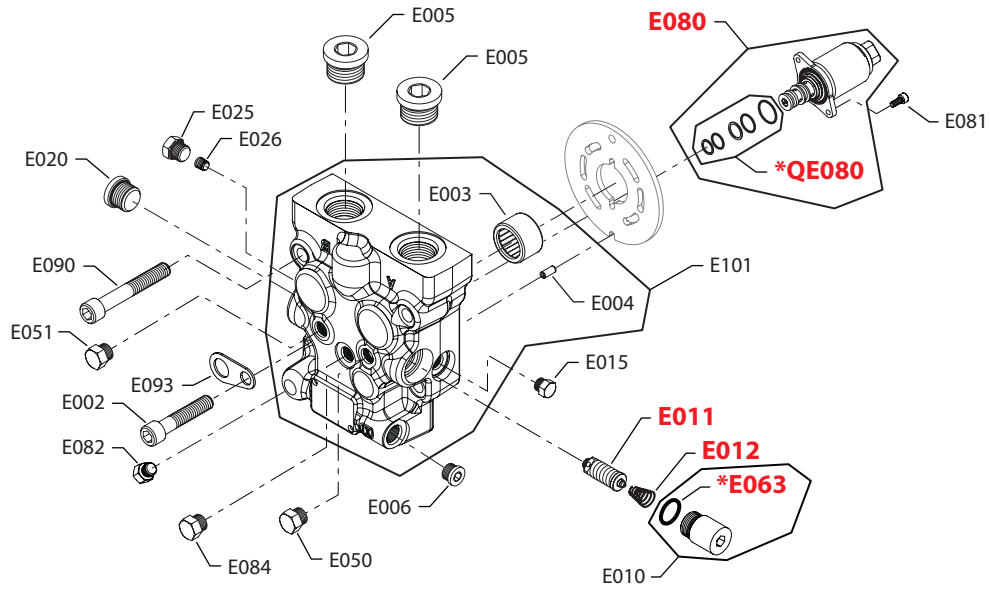

LM reverse displacement motor
Porting/valves/control

Order code	Item	Date begin	Date end	Part number	Part name	Qty. per model/kit
MG1	E002	14-14		680686	Screw	2
	E003	14-14		5000046	Needle bearing	1
	E004	14-14		9004700-1907	Slotted pin	1
	E005	14-14		11134927	Plug assembly	2
	E006	14-14		5000591	Plug assembly	1
	E010	14-14		001529 (9005110-7500)	Plug assembly	1
	E015	14-14		001511 (9005100-4400)	Plug assembly	1
	E016	14-14		9005001-0600	Pipe plug	1
	E020	14-14		11126727	SCR plug assembly	1
	E021	14-14		3103375-0280	SCR valve assembly, 280 bar [4060 psi]	1
	E022	14-14		4800661	Conical spring	1
	E025	14-14		001511 (9005100-4400)	Plug assembly	1
	E050	14-14		001511 (9005100-4400)	Plug assembly	1
	E051	14-14		001511 (9005100-4400)	Plug assembly	1
	E063	14-14		9004201-5000	O-ring	1
	E080	14-14		11090304	Solenoid valve, 12v	1
	E081	14-14		067694	Screw	2
	E082	14-14		9005100-3700	Plug assembly	1
	E084	14-14		001511 (9005100-4400)	Plug assembly	1
	E090	14-14		5000122	Screw	2
E093	14-14		11138846	Lifting bracket	1	
E101	14-14		11150347	End cap assembly, radial ports, metric	1	
QE080	14-14		11150342	Solenoid seal kit	1	
MG2	E002	14-47		680686	Screw	2
	E003	14-47		5000046	Needle bearing	1
	E004	14-47		9004700-1907	Slotted pin	1
	E005	14-47		11134927	Plug assembly	2
	E006	14-47		5000591	Plug assembly	1
	E010	14-47		001529 (9005110-7500)	Plug assembly	1
	E015	14-47		001511 (9005100-4400)	Plug assembly	1
	E016	14-47		9005001-0600	Pipe plug	1
	E020	14-47		11126727	SCR plug assembly	1
	E021	14-47		3103375-0280	SCR valve assembly, 280 bar [4060 psi]	1
	E022	14-47		4800661	Conical spring	1
	E025	14-47		001511 (9005100-4400)	Plug assembly	1
	E050	14-47		001511 (9005100-4400)	Plug assembly	1
	E051	14-47		001511 (9005100-4400)	Plug assembly	1
	E063	14-47		9004201-5000	O-ring	1
	E080	14-47		11090306	Solenoid valve, 24v	1
	E081	14-47		067694	Screw	2
	E082	14-47		9005100-3700	Plug assembly	1
	E084	14-47		001511 (9005100-4400)	Plug assembly	1
	E090	14-47		5000122	Screw	2
E093	14-47		11138846	Lifting bracket	1	
E101	14-47		11150347	End cap assembly, radial ports, metric	1	
QE080	14-47		11150342	Solenoid seal kit	1	



LM reverse displacement motor

(MH1 & MH2)



* = included in overhaul seal kit Q210

E103 259E

Enlarged **bold** type item numbers are recommended parts to be stocked for servicing

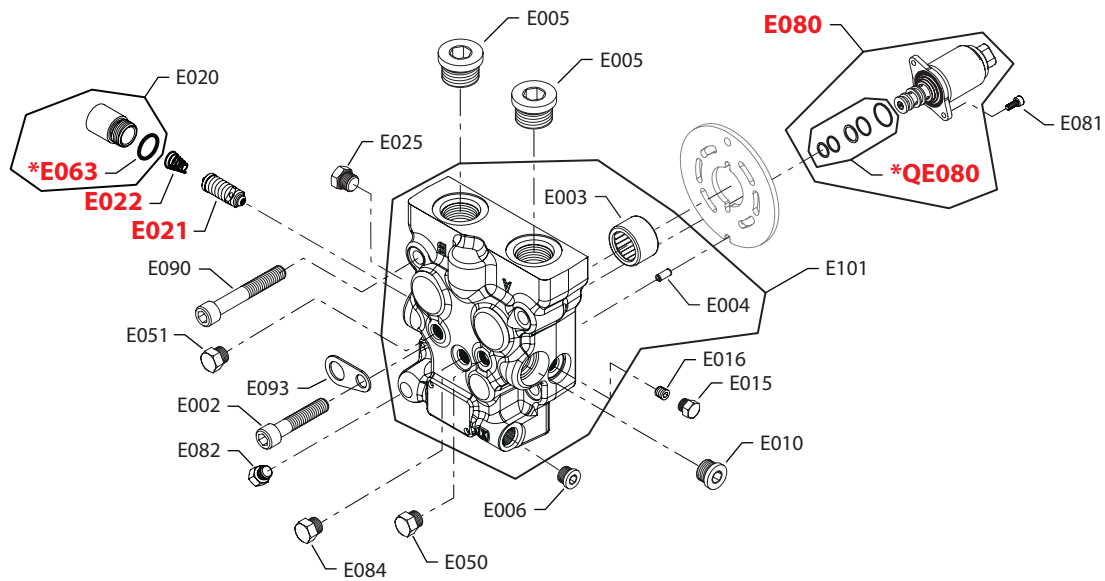

LM reverse displacement motor
Porting/valves/control

Order code	Item	Date begin	Date end	Part number	Part name	Qty. per model/kit
MH1	E002	15-11		680686	Screw	2
	E003	15-11		5000046	Needle bearing	1
	E004	15-11		9004700-1907	Slotted pin	1
	E005	15-11		11134927	Plug assembly	2
	E006	15-11		5000591	Plug assembly	1
	E010	15-11		11126727	SCR plug assembly	1
	E011	15-11		3103375-0230	SCR valve assembly, 230 bar [3335 psi]	1
	E012	15-11		4800661	Conical spring	1
	E015	15-11		001511 (9005100-4400)	Plug assembly	1
	E020	15-11		001529 (9005110-7500)	Plug assembly	1
	E025	15-11		001511 (9005100-4400)	Plug assembly	1
	E026	15-11		9005001-0600	Pipe plug	1
	E050	15-11		001511 (9005100-4400)	Plug assembly	1
	E051	15-11		001511 (9005100-4400)	Plug assembly	1
	E063	15-11		001131 (9004201-5000)	O-ring	1
	E080	15-11		11090304	Solenoid valve, 12v	1
	E081	15-11		067694	Screw	2
	E082	15-11		9005100-3700	Plug assembly	1
	E084	15-11		001511 (9005100-4400)	Plug assembly	1
	E090	15-11		5000122	Screw	2
E093	15-11		11138846	Lifting bracket	1	
E101	15-11		11150347	End cap assembly, radial ports, metric	1	
QE080	15-11		11150342	Solenoid seal kit	1	
MH2	E002	15-11		680686	Screw	2
	E003	15-11		5000046	Needle bearing	1
	E004	15-11		9004700-1907	Slotted pin	1
	E005	15-11		11134927	Plug assembly	2
	E006	15-11		5000591	Plug assembly	1
	E010	15-11		11126727	SCR plug assembly	1
	E011	15-11		3103375-0230	SCR valve assembly, 230 bar [3335 psi]	1
	E012	15-11		4800661	Conical spring	1
	E015	15-11		001511 (9005100-4400)	Plug assembly	1
	E020	15-11		001529 (9005110-7500)	Plug assembly	1
	E025	15-11		001511 (9005100-4400)	Plug assembly	1
	E026	15-11		9005001-0600	Pipe plug	1
	E050	15-11		001511 (9005100-4400)	Plug assembly	1
	E051	15-11		001511 (9005100-4400)	Plug assembly	1
	E063	15-11		001131 (9004201-5000)	O-ring	1
	E080	15-11		11090306	Solenoid valve, 24v	1
	E081	15-11		067694	Screw	2
	E082	15-11		9005100-3700	Plug assembly	1
	E084	15-11		001511 (9005100-4400)	Plug assembly	1
	E090	15-11		5000122	Screw	2
E093	15-11		11138846	Lifting bracket	1	
E101	15-11		11150347	End cap assembly, radial ports, metric	1	
QE080	15-11		11150342	Solenoid seal kit	1	



LM reverse displacement motor

(MI1 & MI2)



* = included in overhaul seal kit Q210

E103 270E

Enlarged **bold** type item numbers are recommended parts to be stocked for servicing

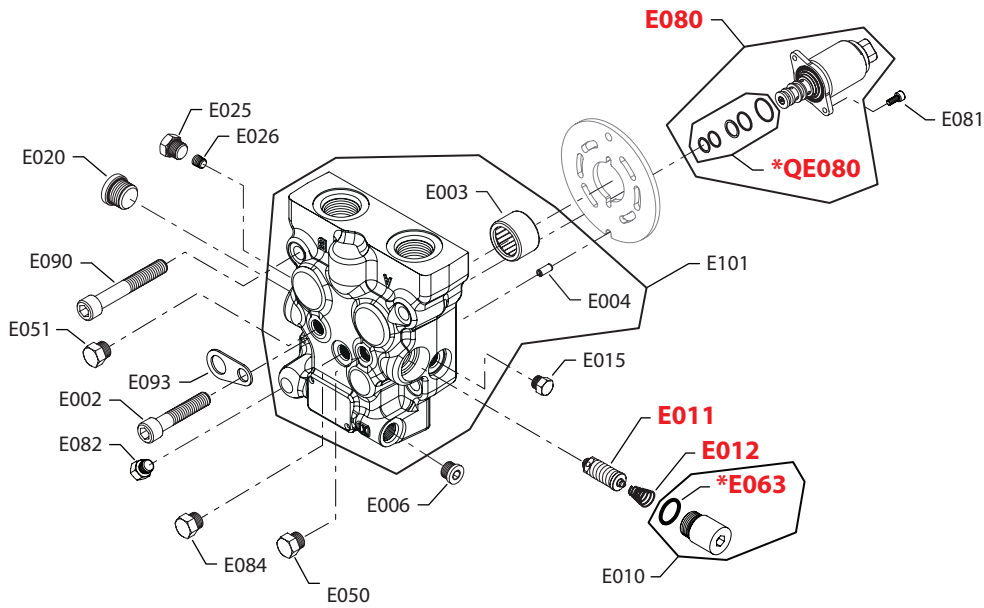

LM reverse displacement motor
Porting/valves/control

Order code	Item	Date begin	Date end	Part number	Part name	Qty. per model/kit
MI1	E002	15-11		680686	Screw	2
	E003	15-11		5000046	Needle bearing	1
	E004	15-11		9004700-1907	Slotted pin	1
	E005	15-11		11134927	Plug assembly	2
	E006	15-11		5000591	Plug assembly	1
	E010	15-11		001529 (9005110-7500)	Plug assembly	1
	E015	15-11		001511 (9005100-4400)	Plug assembly	1
	E016	15-11		9005001-0600	Pipe plug	1
	E020	15-11		11126727	SCR plug assembly	1
	E021	15-11		3103375-0230	SCR valve assembly, 230 bar [3335 psi]	1
	E022	15-11		4800661	Conical spring	1
	E025	15-11		001511 (9005100-4400)	Plug assembly	1
	E050	15-11		001511 (9005100-4400)	Plug assembly	1
	E051	15-11		001511 (9005100-4400)	Plug assembly	1
	E063	15-11		001131 (9004201-5000)	O-ring	1
	E080	15-11		11090304	Solenoid valve, 12v	1
	E081	15-11		067694	Screw	2
	E082	15-11		9005100-3700	Plug assembly	1
	E084	15-11		001511 (9005100-4400)	Plug assembly	1
	E090	15-11		5000122	Screw	2
E093	15-11		11138846	Lifting bracket	1	
E101	15-11		11150347	End cap assembly, radial ports, metric	1	
QE080	15-11		11150342	Solenoid seal kit	1	
MI2	E002	15-11		680686	Screw	2
	E003	15-11		5000046	Needle bearing	1
	E004	15-11		9004700-1907	Slotted pin	1
	E005	15-11		11134927	Plug assembly	2
	E006	15-11		5000591	Plug assembly	1
	E010	15-11		001529 (9005110-7500)	Plug assembly	1
	E015	15-11		001511 (9005100-4400)	Plug assembly	1
	E016	15-11		9005001-0600	Pipe plug	1
	E020	15-11		11126727	SCR plug assembly	1
	E021	15-11		3103375-0230	SCR valve assembly, 230 bar [3335 psi]	1
	E022	15-11		4800661	Conical spring	1
	E025	15-11		001511 (9005100-4400)	Plug assembly	1
	E050	15-11		001511 (9005100-4400)	Plug assembly	1
	E051	15-11		001511 (9005100-4400)	Plug assembly	1
	E063	15-11		001131 (9004201-5000)	O-ring	1
	E080	15-11		11090306	Solenoid valve, 24v	1
	E081	15-11		067694	Screw	2
	E082	15-11		9005100-3700	Plug assembly	1
	E084	15-11		001511 (9005100-4400)	Plug assembly	1
	E090	15-11		5000122	Screw	2
E093	15-11		11138846	Lifting bracket	1	
E101	15-11		11150347	End cap assembly, radial ports, metric	1	
QE080	15-11		11150342	Solenoid seal kit	1	



LM reverse displacement motor

(RD1 & RD2)



* = included in overhaul seal kit Q210

E103 261E

Enlarged **bold** type item numbers are recommended parts to be stocked for servicing

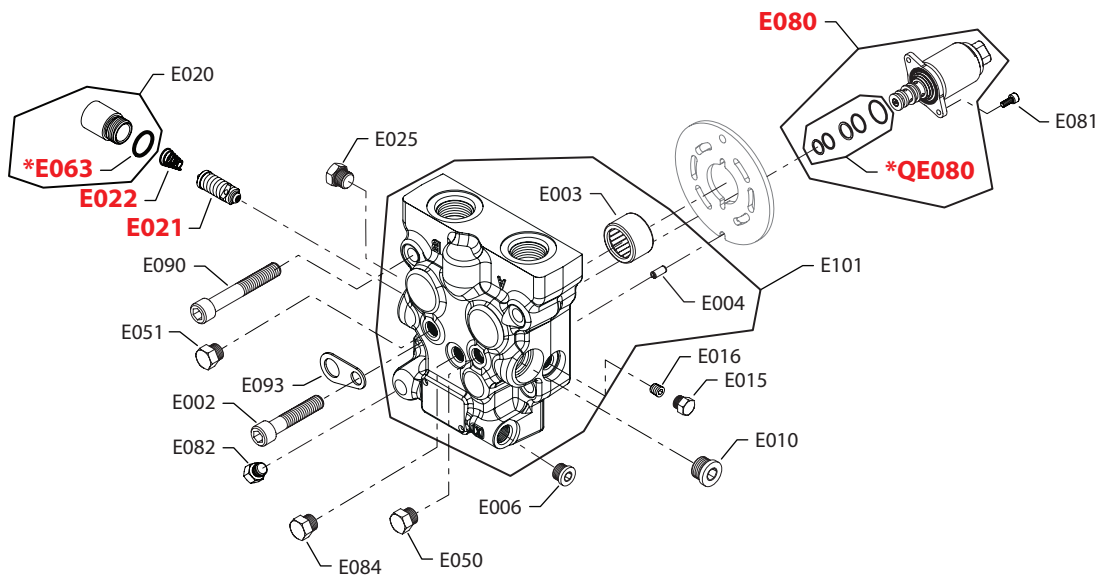

LM reverse displacement motor
Porting/valves/control

Order code	Item	Date begin	Date end	Part number	Part name	Qty. per model/kit
RD1	E002	14-14		680686	Screw	2
	E003	14-14		5000046	Needle bearing	1
	E004	14-14		9004700-1907	Slotted pin	1
	E006	14-14		046151 (9005110-5600)	Plug assembly	1
	E010	14-14		11126727	SCR plug assembly	1
	E011	14-14		3103375-0345	SCR valve assembly, 345 bar [5000 psi]	1
	E012	14-14		4800661	Conical spring	1
	E015	14-14		001511 (9005100-4400)	Plug assembly	1
	E020	14-14		001529 (9005110-7500)	Plug assembly	1
	E025	14-14		001511 (9005100-4400)	Plug assembly	1
	E026	14-14		9005001-0600	Pipe plug	1
	E050	14-14		001511 (9005100-4400)	Plug assembly	1
	E051	14-14		001511 (9005100-4400)	Plug assembly	1
	E063	14-14		9004201-5000	O-ring	1
	E080	14-14		11090304	Solenoid valve, 12v	1
	E081	14-14		067694	Screw	2
	E082	14-14		9005100-3700	Plug assembly	1
	E084	14-14		001511 (9005100-4400)	Plug assembly	1
	E090	14-14		5000122	Screw	2
	E093	14-14		11138846	Lifting bracket	1
E101	14-14		11150345	End cap assembly, radial ports	1	
QE080	14-14		11150342	Solenoid seal kit	1	
RD2	E002	14-14		680686	Screw	2
	E003	14-14		5000046	Needle bearing	1
	E004	14-14		9004700-1907	Slotted pin	1
	E006	14-14		046151 (9005110-5600)	Plug assembly	1
	E010	14-14		11126727	SCR plug assembly	1
	E011	14-14		3103375-0345	SCR valve assembly, 345 bar [5000 psi]	1
	E012	14-14		4800661	Conical spring	1
	E015	14-14		001511 (9005100-4400)	Plug assembly	1
	E020	14-14		001529 (9005110-7500)	Plug assembly	1
	E025	14-14		001511 (9005100-4400)	Plug assembly	1
	E026	14-14		9005001-0600	Pipe plug	1
	E050	14-14		001511 (9005100-4400)	Plug assembly	1
	E051	14-14		001511 (9005100-4400)	Plug assembly	1
	E063	14-14		9004201-5000	O-ring	1
	E080	14-14		11090306	Solenoid valve, 24v	1
	E081	14-14		067694	Screw	2
	E082	14-14		9005100-3700	Plug assembly	1
	E084	14-14		001511 (9005100-4400)	Plug assembly	1
	E090	14-14		5000122	Screw	2
	E093	14-14		11138846	Lifting bracket	1
E101	14-14		11150345	End cap assembly, radial ports	1	
QE080	14-14		11150342	Solenoid seal kit	1	



LM reverse displacement motor

(RE1 & RE2)



* = included in overhaul seal kit Q210

E103 262E

Enlarged **bold** type item numbers are recommended parts to be stocked for servicing

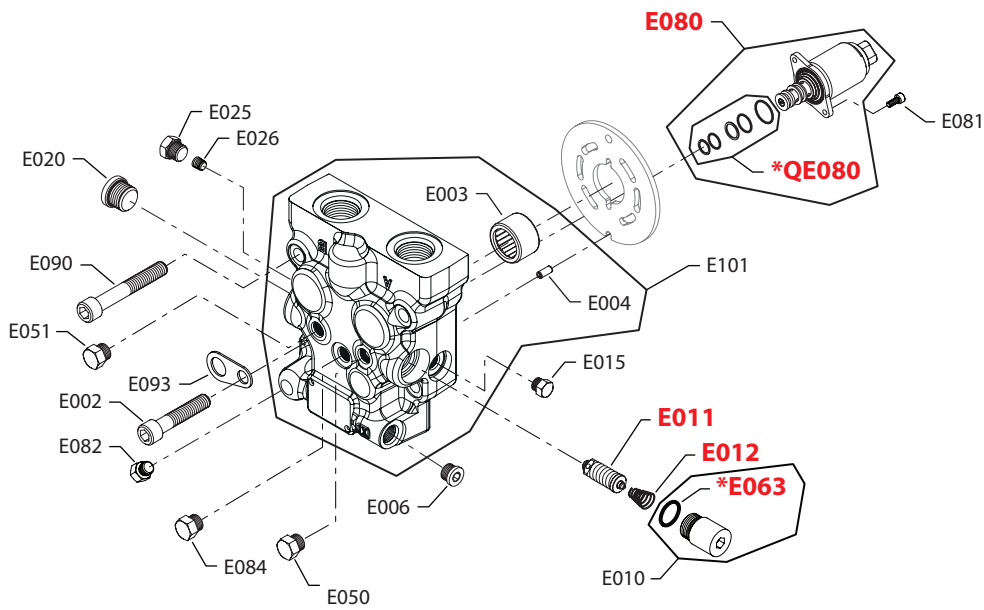

LM reverse displacement motor
Porting/valves/control

Order code	Item	Date begin	Date end	Part number	Part name	Qty. per model/kit
RE1	E002	14-14		680686	Screw	2
	E003	14-14		5000046	Needle bearing	1
	E004	14-14		9004700-1907	Slotted pin	1
	E006	14-14		046151 (9005110-5600)	Plug assembly	1
	E010	14-14		001529 (9005110-7500)	Plug assembly	1
	E015	14-14		001511 (9005100-4400)	Plug assembly	1
	E016	14-14		9005001-0600	Pipe plug	1
	E020	14-14		11126727	SCR plug assembly	1
	E021	14-14		3103375-0345	SCR valve assembly, 345 bar [5000 psi]	1
	E022	14-14		4800661	Conical spring	1
	E025	14-14		001511 (9005100-4400)	Plug assembly	1
	E050	14-14		001511 (9005100-4400)	Plug assembly	1
	E051	14-14		001511 (9005100-4400)	Plug assembly	1
	E063	14-14		9004201-5000	O-ring	1
	E080	14-14		11090304	Solenoid valve, 12v	1
	E081	14-14		067694	Screw	2
	E082	14-14		9005100-3700	Plug assembly	1
	E084	14-14		001511 (9005100-4400)	Plug assembly	1
	E090	14-14		5000122	Screw	2
	E093	14-14		11138846	Lifting bracket	1
	E101	14-14		11150345	End cap assembly, radial ports	1
	QE080	14-14		11150342	Solenoid seal kit	1
RE2	E002	14-47		680686	Screw	2
	E003	14-47		5000046	Needle bearing	1
	E004	14-47		9004700-1907	Slotted pin	1
	E006	14-47		046151 (9005110-5600)	Plug assembly	1
	E010	14-47		001529 (9005110-7500)	Plug assembly	1
	E015	14-47		001511 (9005100-4400)	Plug assembly	1
	E016	14-47		9005001-0600	Pipe plug	1
	E020	14-47		11126727	SCR plug assembly	1
	E021	14-47		3103375-0345	SCR valve assembly, 345 bar [5000 psi]	1
	E022	14-47		4800661	Conical spring	1
	E025	14-47		001511 (9005100-4400)	Plug assembly	1
	E050	14-47		001511 (9005100-4400)	Plug assembly	1
	E051	14-47		001511 (9005100-4400)	Plug assembly	1
	E063	14-47		9004201-5000	O-ring	1
	E080	14-47		11090306	Solenoid valve, 24v	1
	E081	14-47		067694	Screw	2
	E082	14-47		9005100-3700	Plug assembly	1
	E084	14-47		001511 (9005100-4400)	Plug assembly	1
	E090	14-47		5000122	Screw	2
	E093	14-47		11138846	Lifting bracket	1
	E101	14-47		11150345	End cap assembly, radial ports	1
	QE080	14-47		11150342	Solenoid seal kit	1



LM reverse displacement motor

(RF1 & RF2)



* = included in overhaul seal kit Q210

E103 261E

Enlarged **bold** type item numbers are recommended parts to be stocked for servicing

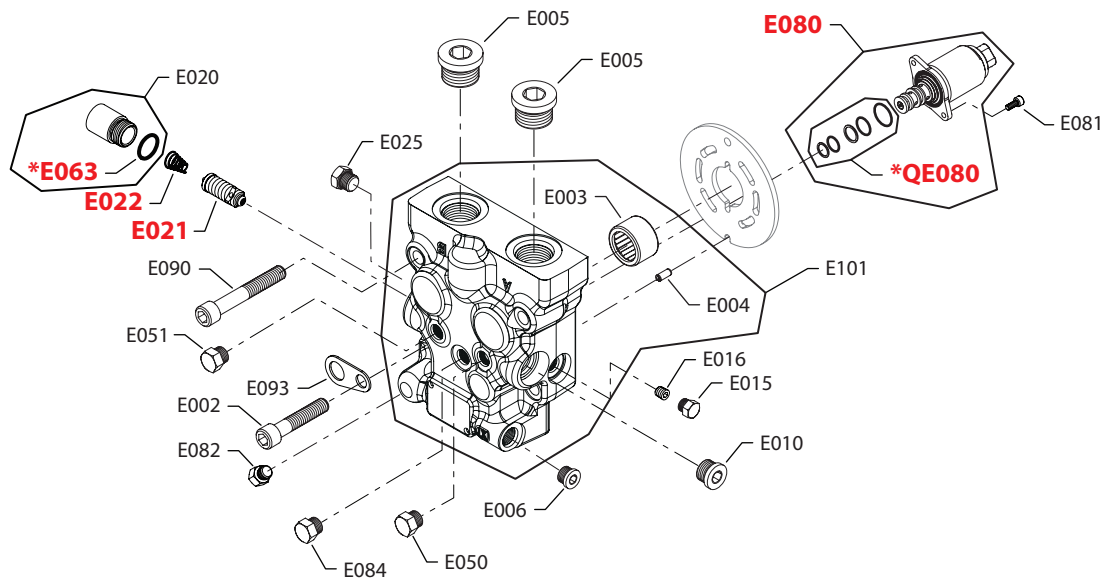

LM reverse displacement motor
Porting/valves/control

Order code	Item	Date begin	Date end	Part number	Part name	Qty. per model/kit
RF1	E002	14-14		680686	Screw	2
	E003	14-14		5000046	Needle bearing	1
	E004	14-14		9004700-1907	Slotted pin	1
	E006	14-14		046151 (9005110-5600)	Plug assembly	1
	E010	14-14		11126727	SCR plug assembly	1
	E011	14-14		3103375-0280	SCR valve assembly, 280 bar [4060 psi]	1
	E012	14-14		4800661	Conical spring	1
	E015	14-14		001511 (9005100-4400)	Plug assembly	1
	E020	14-14		001529 (9005110-7500)	Plug assembly	1
	E025	14-14		001511 (9005100-4400)	Plug assembly	1
	E026	14-14		9005001-0600	Pipe plug	1
	E050	14-14		001511 (9005100-4400)	Plug assembly	1
	E051	14-14		001511 (9005100-4400)	Plug assembly	1
	E063	14-14		9004201-5000	O-ring	1
	E080	14-14		11090304	Solenoid valve, 12v	1
	E081	14-14		067694	Screw	2
	E082	14-14		9005100-3700	Plug assembly	1
	E084	14-14		001511 (9005100-4400)	Plug assembly	1
	E090	14-14		5000122	Screw	2
	E093	14-14		11138846	Lifting bracket	1
E101	14-14		11150345	End cap assembly, radial ports	1	
QE080	14-14		11150342	Solenoid seal kit	1	
RF2	E002	14-47		680686	Screw	2
	E003	14-47		5000046	Needle bearing	1
	E004	14-47		9004700-1907	Slotted pin	1
	E006	14-47		046151 (9005110-5600)	Plug assembly	1
	E010	14-47		11126727	SCR plug assembly	1
	E011	14-47		3103375-0280	SCR valve assembly, 280 bar [4060 psi]	1
	E012	14-47		4800661	Conical spring	1
	E015	14-47		001511 (9005100-4400)	Plug assembly	1
	E020	14-47		001529 (9005110-7500)	Plug assembly	1
	E025	14-47		001511 (9005100-4400)	Plug assembly	1
	E026	14-47		9005001-0600	Pipe plug	1
	E050	14-47		001511 (9005100-4400)	Plug assembly	1
	E051	14-47		001511 (9005100-4400)	Plug assembly	1
	E063	14-47		9004201-5000	O-ring	1
	E080	14-47		11090306	Solenoid valve, 24v	1
	E081	14-47		067694	Screw	2
	E082	14-47		9005100-3700	Plug assembly	1
	E084	14-47		001511 (9005100-4400)	Plug assembly	1
	E090	14-47		5000122	Screw	2
	E093	14-47		11138846	Lifting bracket	1
E101	14-47		11150345	End cap assembly, radial ports	1	
QE080	14-47		11150342	Solenoid seal kit	1	



LM reverse displacement motor

(RG1 & RG2)



* = included in overhaul seal kit Q210

E103 270E

Enlarged **bold** type item numbers are recommended parts to be stocked for servicing

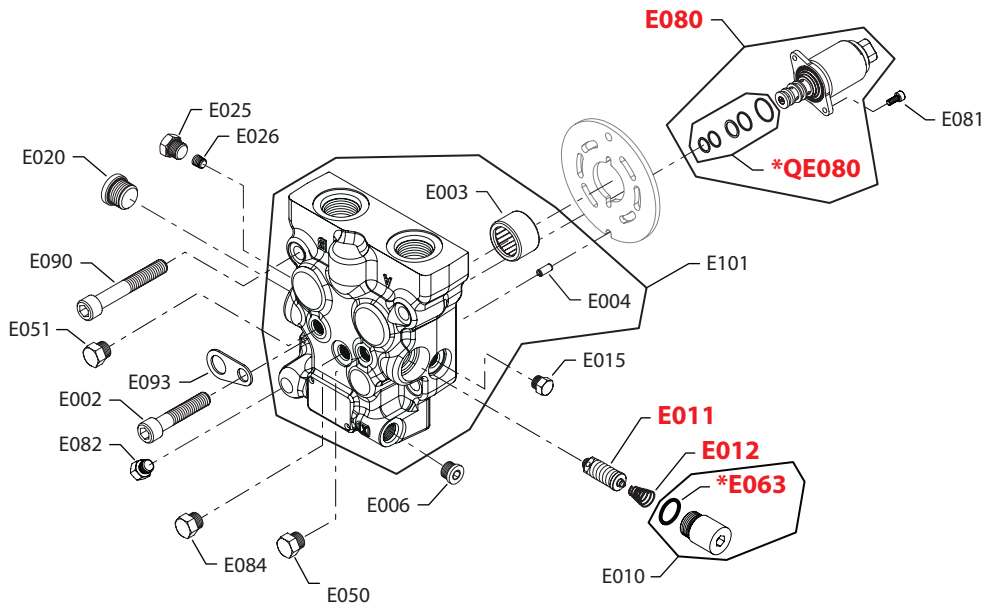

LM reverse displacement motor
Porting/valves/control

Order code	Item	Date begin	Date end	Part number	Part name	Qty. per model/kit
RG1	E002	14-14		680686	Screw	2
	E003	14-14		5000046	Needle bearing	1
	E004	14-14		9004700-1907	Slotted pin	1
	E006	14-14		046151 (9005110-5600)	Plug assembly	1
	E010	14-14		001529 (9005110-7500)	Plug assembly	1
	E015	14-14		001511 (9005100-4400)	Plug assembly	1
	E016	14-14		9005001-0600	Pipe plug	1
	E020	14-14		11126727	SCR plug assembly	1
	E021	14-14		3103375-0280	SCR valve assembly, 280 bar [4060 psi]	1
	E022	14-14		4800661	Conical spring	1
	E025	14-14		001511 (9005100-4400)	Plug assembly	1
	E050	14-14		001511 (9005100-4400)	Plug assembly	1
	E051	14-14		001511 (9005100-4400)	Plug assembly	1
	E063	14-14		9004201-5000	O-ring	1
	E080	14-14		11090304	Solenoid valve, 12v	1
	E081	14-14		067694	Screw	2
	E082	14-14		9005100-3700	Plug assembly	1
	E084	14-14		001511 (9005100-4400)	Plug assembly	1
	E090	14-14		5000122	Screw	2
	E093	14-14		11138846	Lifting bracket	1
E101	14-14		11150345	End cap assembly, radial ports	1	
QE080	14-14		11150342	Solenoid seal kit	1	
RG2	E002	14-47		680686	Screw	2
	E003	14-47		5000046	Needle bearing	1
	E004	14-47		9004700-1907	Slotted pin	1
	E006	14-47		046151 (9005110-5600)	Plug assembly	1
	E010	14-47		001529 (9005110-7500)	Plug assembly	1
	E015	14-47		001511 (9005100-4400)	Plug assembly	1
	E016	14-47		9005001-0600	Pipe plug	1
	E020	14-47		11126727	SCR plug assembly	1
	E021	14-47		3103375-0280	SCR valve assembly, 280 bar [4060 psi]	1
	E022	14-47		4800661	Conical spring	1
	E025	14-47		001511 (9005100-4400)	Plug assembly	1
	E050	14-47		001511 (9005100-4400)	Plug assembly	1
	E051	14-47		001511 (9005100-4400)	Plug assembly	1
	E063	14-47		9004201-5000	O-ring	1
	E080	14-47		11090306	Solenoid valve, 24v	1
	E081	14-47		067694	Screw	2
	E082	14-47		9005100-3700	Plug assembly	1
	E084	14-47		001511 (9005100-4400)	Plug assembly	1
	E090	14-47		5000122	Screw	2
	E093	14-47		11138846	Lifting bracket	1
E101	14-47		11150345	End cap assembly, radial ports	1	
QE080	14-47		11150342	Solenoid seal kit	1	



LM reverse displacement motor

(RH1 & RH2)



* = included in overhaul seal kit Q210

E103 261E

Enlarged **bold** type item numbers are recommended parts to be stocked for servicing

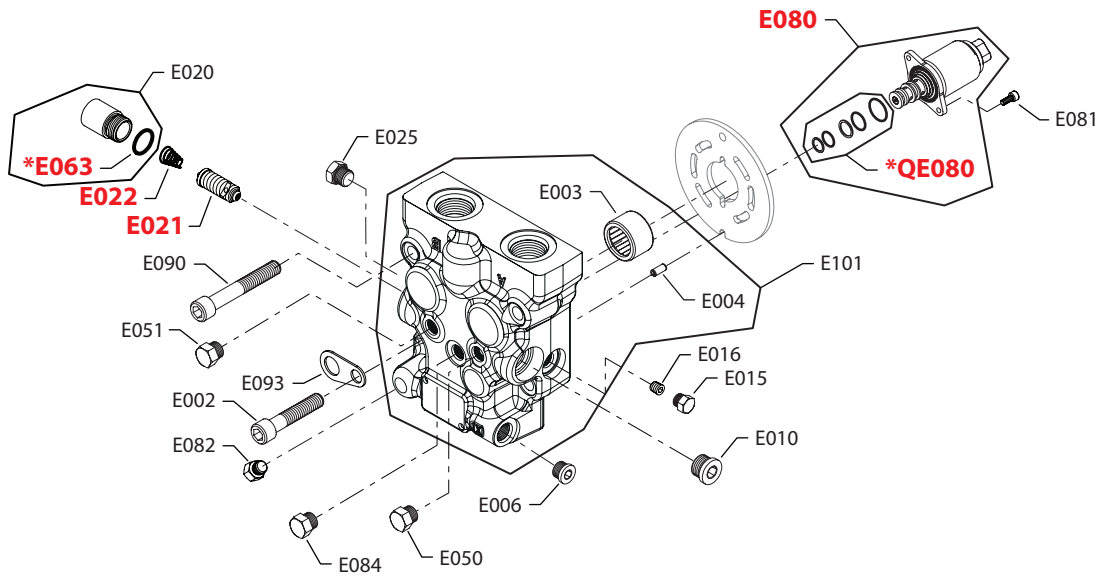

LM reverse displacement motor
Porting/valves/control

Order code	Item	Date begin	Date end	Part number	Part name	Qty. per model/kit
RH1	E002	15-11		680686	Screw	2
	E003	15-11		5000046	Needle bearing	1
	E004	15-11		9004700-1907	Slotted pin	1
	E006	15-11		5000591	Plug assembly	1
	E010	15-11		11126727	SCR plug assembly	1
	E011	15-11		3103375-0230	SCR valve assembly, 230 bar [3335 psi]	1
	E012	15-11		4800661	Conical spring	1
	E015	15-11		001511 (9005100-4400)	Plug assembly	1
	E020	15-11		001529 (9005110-7500)	Plug assembly	1
	E025	15-11		001511 (9005100-4400)	Plug assembly	1
	E026	15-11		9005001-0600	Pipe plug	1
	E050	15-11		001511 (9005100-4400)	Plug assembly	1
	E051	15-11		001511 (9005100-4400)	Plug assembly	1
	E063	15-11		001131 (9004201-5000)	O-ring	1
	E080	15-11		11090304	Solenoid valve, 12v	1
	E081	15-11		067694	Screw	2
	E082	15-11		9005100-3700	Plug assembly	1
	E084	15-11		001511 (9005100-4400)	Plug assembly	1
	E090	15-11		5000122	Screw	2
	E093	15-11		11138846	Lifting bracket	1
E101	15-11		11150345	End cap assembly, radial ports	1	
QE080	15-11		11150342	Solenoid seal kit	1	
RH2	E002	15-11		680686	Screw	2
	E003	15-11		5000046	Needle bearing	1
	E004	15-11		9004700-1907	Slotted pin	1
	E006	15-11		5000591	Plug assembly	1
	E010	15-11		11126727	SCR plug assembly	1
	E011	15-11		3103375-0230	SCR valve assembly, 230 bar [3335 psi]	1
	E012	15-11		4800661	Conical spring	1
	E015	15-11		001511 (9005100-4400)	Plug assembly	1
	E020	15-11		001529 (9005110-7500)	Plug assembly	1
	E025	15-11		001511 (9005100-4400)	Plug assembly	1
	E026	15-11		9005001-0600	Pipe plug	1
	E050	15-11		001511 (9005100-4400)	Plug assembly	1
	E051	15-11		001511 (9005100-4400)	Plug assembly	1
	E063	15-11		001131 (9004201-5000)	O-ring	1
	E080	15-11		11090306	Solenoid valve, 24v	1
	E081	15-11		067694	Screw	2
	E082	15-11		9005100-3700	Plug assembly	1
	E084	15-11		001511 (9005100-4400)	Plug assembly	1
	E090	15-11		5000122	Screw	2
	E093	15-11		11138846	Lifting bracket	1
E101	15-11		11150345	End cap assembly, radial ports	1	
QE080	15-11		11150342	Solenoid seal kit	1	



LM reverse displacement motor

(R11 & R12)



* = included in overhaul seal kit Q210

E103 262E

Enlarged **bold** type item numbers are recommended parts to be stocked for servicing

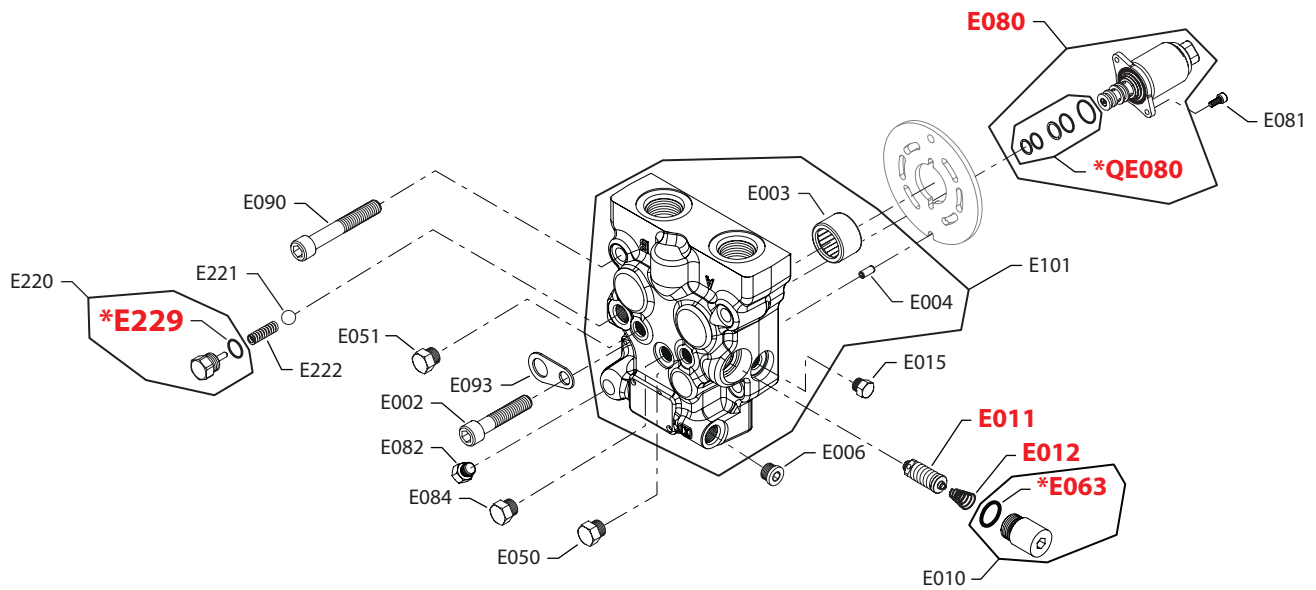

LM reverse displacement motor
Porting/valves/control

Order code	Item	Date begin	Date end	Part number	Part name	Qty. per model/kit
RI1	E002	15-11		680686	Screw	2
	E003	15-11		5000046	Needle bearing	1
	E004	15-11		9004700-1907	Slotted pin	1
	E006	15-11		5000591	Plug assembly	1
	E010	15-11		001529 (9005110-7500)	Plug assembly	1
	E015	15-11		001511 (9005100-4400)	Plug assembly	1
	E016	15-11		9005001-0600	Pipe plug	1
	E020	15-11		11126727	SCR plug assembly	1
	E021	15-11		3103375-0230	SCR valve assembly, 230 bar [3335 psi]	1
	E022	15-11		4800661	Conical spring	1
	E025	15-11		001511 (9005100-4400)	Plug assembly	1
	E050	15-11		001511 (9005100-4400)	Plug assembly	1
	E051	15-11		001511 (9005100-4400)	Plug assembly	1
	E063	15-11		001131 (9004201-5000)	O-ring	1
	E080	15-11		11090304	Solenoid valve, 12v	1
	E081	15-11		067694	Screw	2
	E082	15-11		9005100-3700	Plug assembly	1
	E084	15-11		001511 (9005100-4400)	Plug assembly	1
	E090	15-11		5000122	Screw	2
	E093	15-11		11138846	Lifting bracket	1
E101	15-11		11150345	End cap assembly, radial ports	1	
QE080	15-11		11150342	Solenoid seal kit	1	
RI2	E002	15-11		680686	Screw	2
	E003	15-11		5000046	Needle bearing	1
	E004	15-11		9004700-1907	Slotted pin	1
	E006	15-11		5000591	Plug assembly	1
	E010	15-11		001529 (9005110-7500)	Plug assembly	1
	E015	15-11		001511 (9005100-4400)	Plug assembly	1
	E016	15-11		9005001-0600	Pipe plug	1
	E020	15-11		11126727	SCR plug assembly	1
	E021	15-11		3103375-0230	SCR valve assembly, 230 bar [3335 psi]	1
	E022	15-11		4800661	Conical spring	1
	E025	15-11		001511 (9005100-4400)	Plug assembly	1
	E050	15-11		001511 (9005100-4400)	Plug assembly	1
	E051	15-11		001511 (9005100-4400)	Plug assembly	1
	E063	15-11		001131 (9004201-5000)	O-ring	1
	E080	15-11		11090306	Solenoid valve, 24v	1
	E081	15-11		067694	Screw	2
	E082	15-11		9005100-3700	Plug assembly	1
	E084	15-11		001511 (9005100-4400)	Plug assembly	1
	E090	15-11		5000122	Screw	2
	E093	15-11		11138846	Lifting bracket	1
E101	15-11		11150345	End cap assembly, radial ports	1	
QE080	15-11		11150342	Solenoid seal kit	1	



LM reverse displacement motor

(RJ1)



* = included in overhaul seal kit Q210

E103 559E

Enlarged **bold** type item numbers are recommended parts to be stocked for servicing

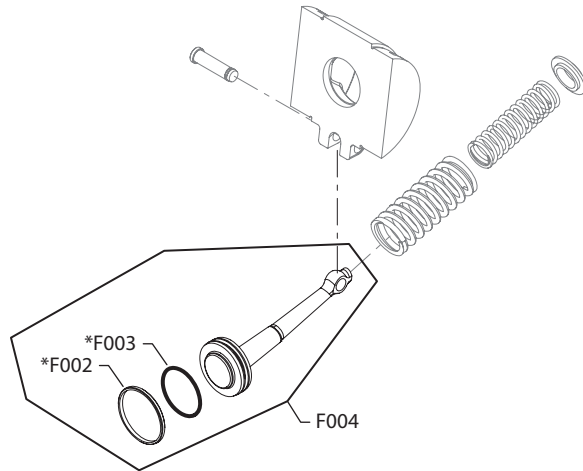

LM reverse displacement motor
Porting/valves/control

Order code	Item	Date begin	Date end	Part number	Part name	Qty. per model/kit
RJ1	E002	16-02		680686	Screw	2
	E003	16-02		5000046	Needle bearing	1
	E004	16-02		9004700-1907	Slotted pin	1
	E006	16-02		515965 (9005110-5600)	Plug assembly	1
	E010	16-02		11126727	SCR plug assembly	1
	E011	16-02		3103375-0230	SCR valve assembly, 230 bar [3335 psi]	1
	E012	16-02		4800661	Conical spring	1
	E015	16-02		001511 (9005100-4400)	Plug assembly	1
	E050	16-02		001511 (9005100-4400)	Plug assembly	1
	E051	16-02		001511 (9005100-4400)	Plug assembly	1
	E063	16-02		001131 (9004201-5000)	O-ring	1
	E080	16-02		11090304	Solenoid valve, 12v	1
	E081	16-02		067694	Screw	2
	E082	16-02		9005100-3700	Plug assembly	1
	E084	16-02		001511 (9005100-4400)	Plug assembly	1
	E090	16-02		5000122	Screw	2
	E093	16-02		11138846	Lifting bracket	1
	E101	16-02		11173705	End cap assembly, radial ports	1
	E220	16-02		11173152	Plug assembly	1
	E221	16-02		9001214-3700	Ball	1
	E222	16-02		11171756	Spring	1
	E229	16-02		085043 (9004201-3700)	O-ring	1
	QE080	16-02		11150342	Solenoid seal kit	1

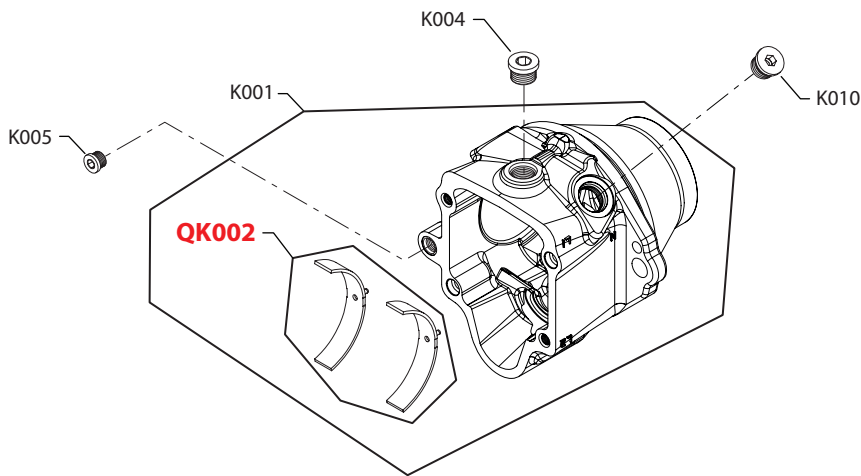


LM reverse displacement motor

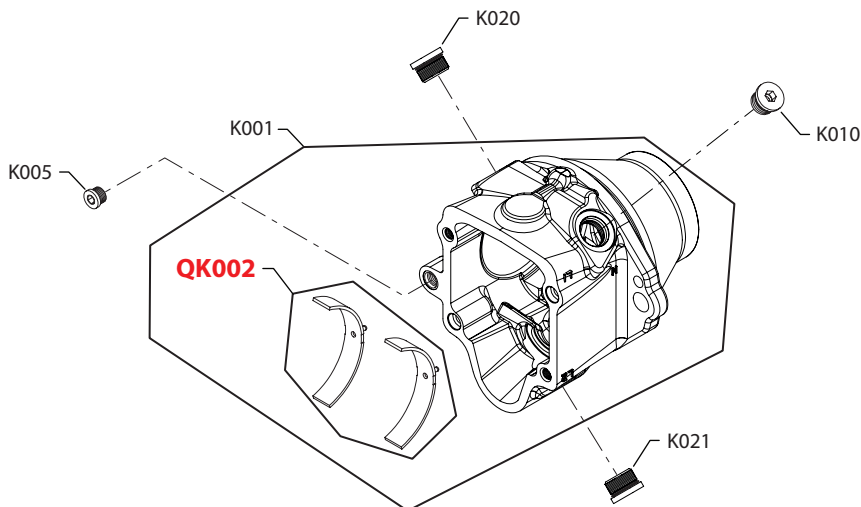
(N12, N18 & N24)



(BF - BM)



(BG)



* = included in overhaul seal kit Q210

E103 263E

Enlarged **bold** type item numbers are recommended parts to be stocked for servicing


LM reverse displacement motor
Reverse displacement

Order code	Item	Date begin	Date end	Part number	Part name	Qty. per model/kit
N12	F002	16-24		8700066	Piston ring	1
	F003	16-24		9004100-1270	O-ring	1
	F004	16-24		11166257	Servo piston assembly, 12 degree	1
N18	F002	14-14		8700066	Piston ring	1
	F003	14-14		9004100-1270	O-ring	1
	F004	14-14		11141121	Servo piston assembly, 18 degree	1
N24	F002	14-14		8700066	Piston ring	1
	F003	14-14		9004100-1270	O-ring	1
	F004	14-14		11141122	Servo piston assembly, 14.5 degree	1

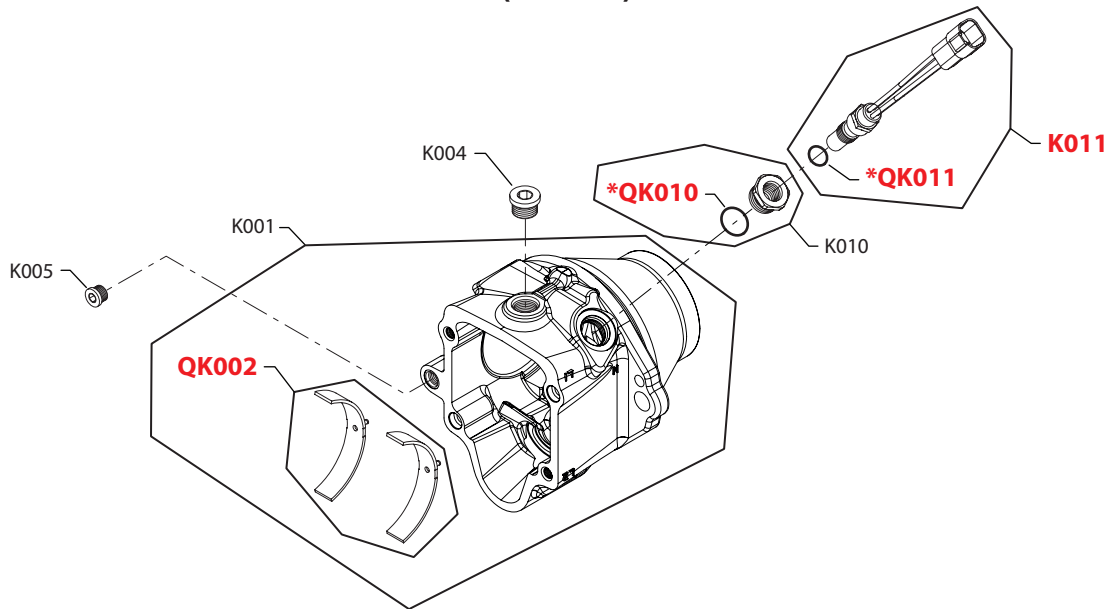
Housing

BF	K001	15-51		11171044	Housing assembly (SB-2016-044)	1
	K001	14-14	15-50	11141513	Housing assembly	1
	K004	14-14		9005110-7500	Plug assembly	1
	K005	14-14		9005110-4400	Plug assembly	1
	K010	14-14		9005100-8700	Plug assembly	1
	QK002	15-51		11177987	Swashplate bearing kit (SB-2016-044)	1
	QK002	14-14	15-50	4510442	Swashplate bearing kit	1
BG	K001	15-51		11171045	Housing assembly (SB-2016-044)	1
	K001	15-11	15-50	11163593	Housing assembly	1
	K005	15-11		9005110-4400	Plug assembly	1
	K010	15-11		9005100-8700	Plug assembly	1
	K020	15-11		9005100-8700	Plug assembly	1
	QK002	15-51		11177987	Swashplate bearing kit (SB-2016-044)	1
	QK002	15-11	15-50	4510442	Swashplate bearing kit	1
BM	K001	15-51		11171046	Housing assembly (SB-2016-044)	1
	K001	14-14		11141514	Housing assembly, metric	1
	K004	14-14		5000570	Plug assembly	1
	K005	14-14		9005110-4400	Plug assembly	1
	K010	14-14		9005100-8700	Plug assembly	1
	QK002	15-51		11177987	Swashplate bearing kit (SB-2016-044)	1
	QK002	14-14	15-50	4510442	Swashplate bearing kit	1

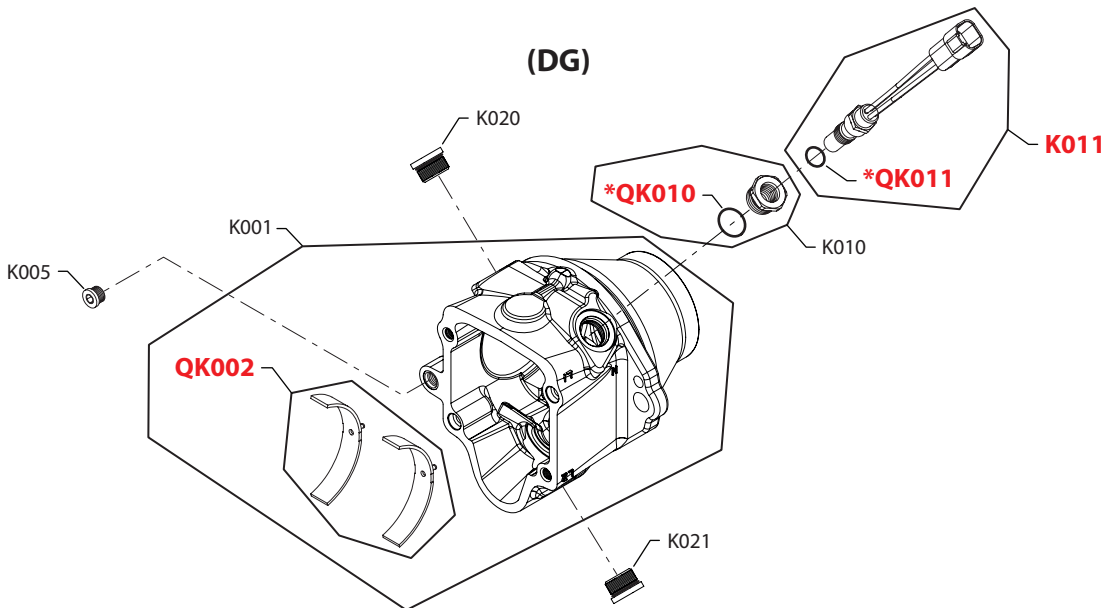


LM reverse displacement motor

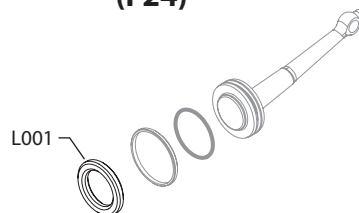
(DF - DM)



(DG)



(F24)



* = included in overhaul seal kit Q210

E103 071E

Enlarged **bold** type item numbers are recommended parts to be stocked for servicing


LM reverse displacement motor
Housing

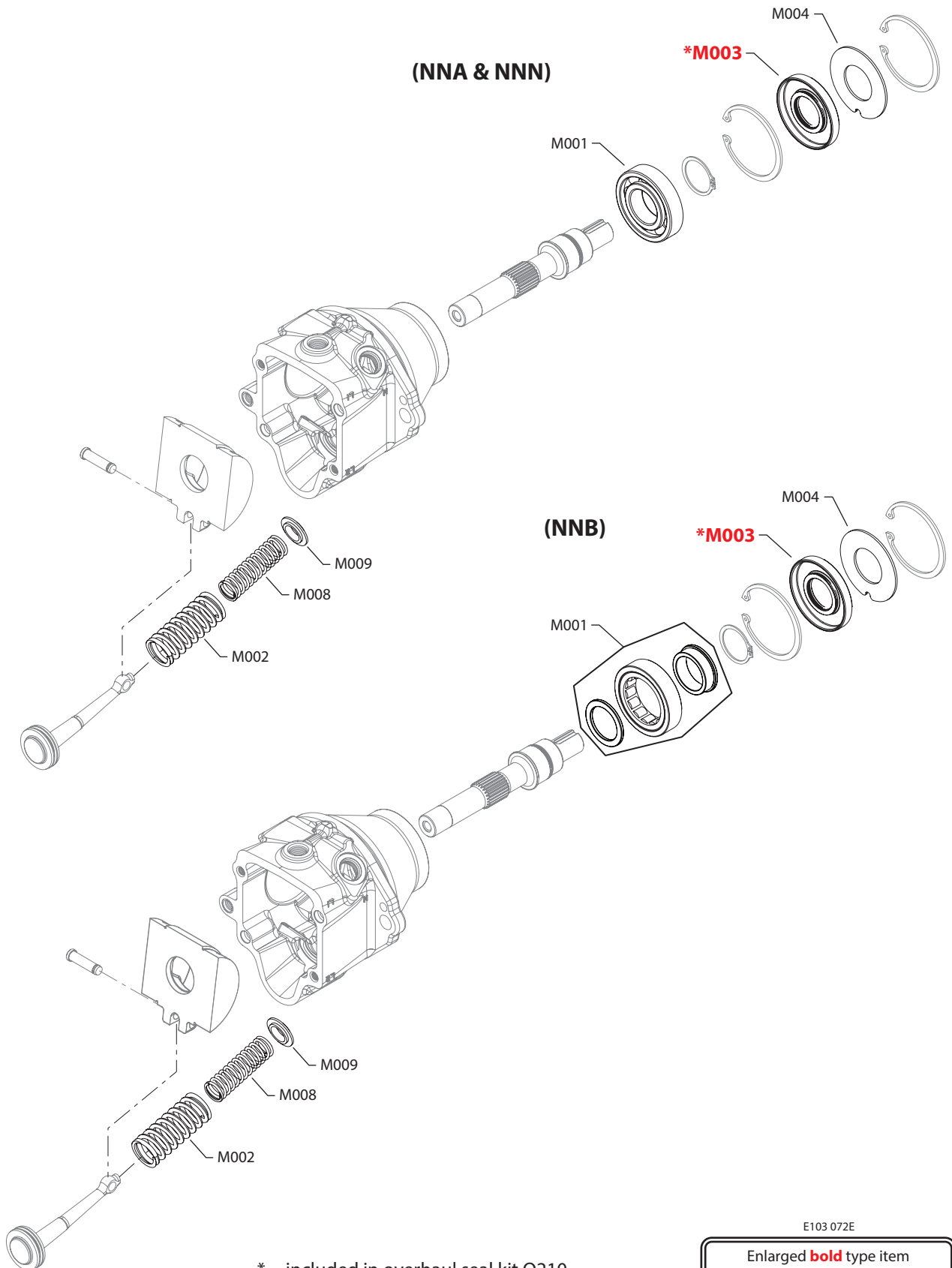
Order code	Item	Date begin	Date end	Part number	Part name	Qty. per model/kit	
DF	K001	15-51		11171044	Housing assembly (SB-2016-044)	1	
	K001	14-48	15-50	11141513	Housing assembly	1	
	K004	14-48		9005110-7500	Plug assembly	1	
	K005	14-48		9005110-4400	Plug assembly	1	
	K010	14-48		4800920	Adapter assembly	1	
	K011	14-48		KPPG13704	Speed sensor	1	
	QK002	15-51		11177987	Swashplate bearing kit (SB-2016-044)	1	
	QK002	14-48	15-50	4510442	Swashplate bearing kit	1	
	QK010	14-48		9004201-6200	O-ring	1	
	QK011	14-48		9004201-3700	O-ring	1	
	DG	K001	16-29		11171045	Housing assembly	1
K005		16-29		9005110-4400	Plug assembly	1	
K010		16-29		4800920	Adapter assembly	1	
K011		16-29		KPPG13704	Speed sensor	1	
K020		16-29		9005100-8700	Plug assembly	1	
K021		16-29		9005100-8700	Plug assembly	1	
QK002		16-29		11177987	Swashplate bearing kit	1	
QK010		16-29		9004201-6200	O-ring	1	
QK011		16-29		9004201-3700	O-ring	1	
DM		K001	15-51		11171046	Housing assembly (SB-2016-044)	1
		K001	14-48	15-50	11141514	Housing assembly, metric	1
	K004	14-48		5000570	Plug assembly, M18	1	
	K005	14-48		9005110-4400	Plug assembly	1	
	K010	14-48		4800920	Adapter assembly	1	
	K011	14-48		KPPG13704	Speed sensor	1	
	QK002	15-51		11177987	Swashplate bearing kit (SB-2016-044)	1	
	QK002	14-48	15-50	4510442	Swashplate bearing kit	1	
	QK010	14-48		9004201-6200	O-ring	1	
	QK011	14-48		9004201-3700	O-ring	1	

Forward displacement

F18				none		
F24	L001	1448		11138845	Maximum displacement stop, 14.5 degree	1



LM reverse displacement motor



* = included in overhaul seal kit Q210

E103 072E

Enlarged **bold** type item numbers are recommended parts to be stocked for servicing


LM reverse displacement motor
Special hardware

Order code	Item	Date begin	Date end	Part number	Part name	Qty. per model/kit
NNA	M001	14-14		11060400	Ball bearing	1
	M002	14-14		11132636	Spring	1
	M003	14-14		11103135	Lip seal	1
	M004	14-14		11083729	Seal support washer	1
	M008	14-14		11132638	Spring	1
	M009	14-14		11152761	Spring seat	1
	NNB	M001	14-14		357616	Roller bearing
M002		14-14		11132636	Spring	1
M003		14-14		11103135	Lip seal	1
M004		14-14		11083729	Seal support washer	1
M008		14-14		11132638	Spring	1
M009		14-14		11152761	Spring seat	1
NNN		M001	14-14		5000731	Ball bearing
	M002	14-14		11132636	Spring	1
	M003	14-14		11103135	Lip seal	1
	M004	14-14		11083729	Seal support washer	1
	M008	14-14		11132638	Spring	1
	M009	14-14		11152761	Spring seat	1

Overhaul seal kit

Q210	14-14		11150341	Overhaul seal kit, KM/LM	1
B004	14-14		4400011	Gasket	1
D006	14-14		11083450	Shaft dust seal	1
E063	14-14		9004201-5000	O-ring	1
F002	14-14		8700066	Piston ring	1
F003	14-14		9004100-1270	O-ring	1
M003	14-14		11103135	Lip seal	1
QE080	14-14		11150342	Solenoid seal kit	1
QK010	14-14		9004201-6200	O-ring	1
QK011	14-14		9004201-3700	O-ring	1

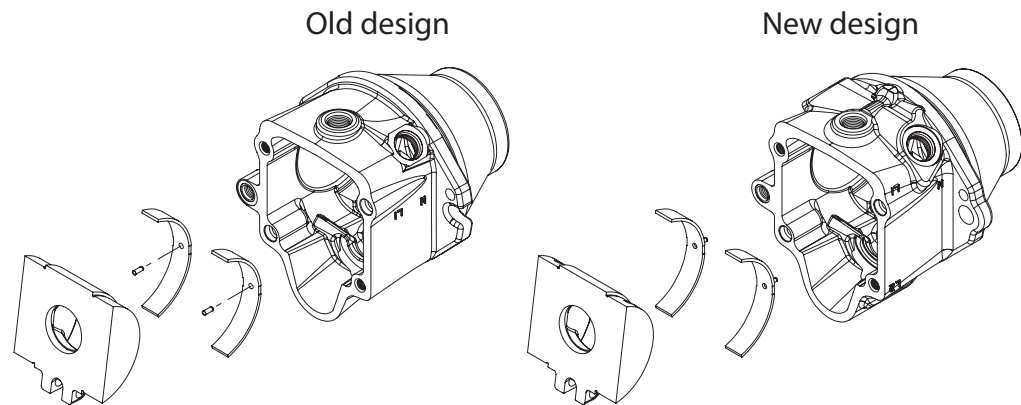


Service Bulletin: SB-2016-044

Products affected Reverse Displacement Motors (RDM)

Subject Mounting flange, swashplate and swashplate bearing change

Description Danfoss Power Solutions has changed the mounting flange, swashplate and swashplate bearing configuration on Reverse Displacement Motors (RDM).
New model numbers and service part numbers have been assigned. All old model numbers will be obsolete.



Models affected RDM (Reverse Displacement Motors)

Serial numbers This change became effective at A-15-50-XXXXX (11 December 2015)

Part numbers affected

Description	Old part number	New part number
Swashplate – LC Motor	4254592	11169100
Swashplate – KC Motor	4400035	11166540
Housing assembly, w/speed sensor port	11141513	11171044
Housing ass’y, w/speed sensor and 2 case drain ports	11163593	11171045
Housing assembly, metric, w/speed sensor port	11141514	11171046
Swashplate bearing Kit	4510442	11177987

Parts disposition ■ Non-interchangeable



Notes



Products we offer:

- Bent Axis Motors
- Closed Circuit Axial Piston Pumps and Motors
- Displays
- Electrohydraulic Power Steering
- Electrohydraulics
- Hydraulic Power Steering
- Integrated Systems
- Joysticks and Control Handles
- Microcontrollers and Software
- Open Circuit Axial Piston Pumps
- Orbital Motors
- PLUS+1® GUIDE
- Proportional Valves
- Sensors
- Steering
- Transit Mixer Drives

Danfoss Power Solutions is a global manufacturer and supplier of high-quality hydraulic and electronic components. We specialize in providing state-of-the-art technology and solutions that excel in the harsh operating conditions of the mobile off-highway market. Building on our extensive applications expertise, we work closely with our customers to ensure exceptional performance for a broad range of off-highway vehicles.

We help OEMs around the world speed up system development, reduce costs and bring vehicles to market faster.

Danfoss – Your Strongest Partner in Mobile Hydraulics.

Go to www.powersolutions.danfoss.com for further product information.

Wherever off-highway vehicles are at work, so is Danfoss.

We offer expert worldwide support for our customers, ensuring the best possible solutions for outstanding performance. And with an extensive network of Global Service Partners, we also provide comprehensive global service for all of our components.

Please contact the Danfoss Power Solution representative nearest you.

Comatrol

www.comatrol.com

Schwarzmueller-Inverter

www.schwarzmueller-inverter.com

Turolla

www.turollaocg.com

Valmova

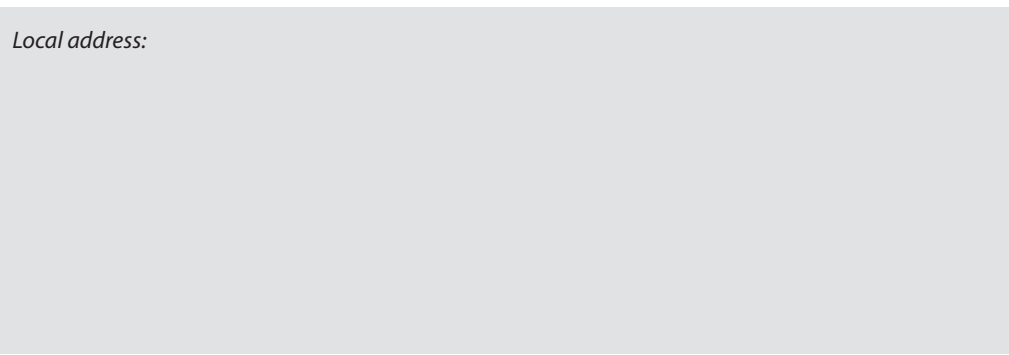
www.valmova.com

Hydro-Gear

www.hydro-gear.com

Daikin-Sauer-Danfoss

www.daikin-sauer-danfoss.com



Local address:

Danfoss Power Solutions US Company
2800 East 13th Street
Ames, IA 50010, USA
Phone: +1 515 239 6000

Danfoss Power Solutions GmbH & Co. OHG
Krokamp 35
D-24539 Neumünster, Germany
Phone: +49 4321 871 0

Danfoss Power Solutions ApS
Nordborgvej 81
DK-6430 Nordborg, Denmark
Phone: +45 7488 4444

Danfoss Power Solutions
Building #22, No. 1000 Jin Hai Rd
Jin Qiao, Pudong New District
Shanghai, China 201206
Phone: +86 21 3418 5200

Danfoss can accept no responsibility for possible errors in catalogues, brochures and other printed material. Danfoss reserves the right to alter its products without notice. This also applies to products already on order provided that such alterations can be made without consequential changes being necessary in specifications already agreed. All trademarks in this material are property of the respective companies. Danfoss and the Danfoss logotype are trademarks of Danfoss A/S. All rights reserved.