

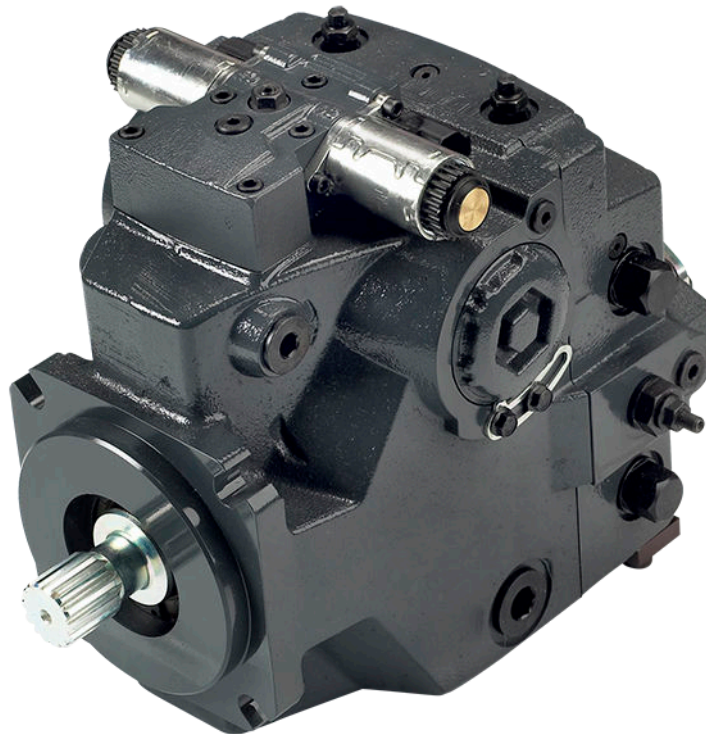
ENGINEERING
TOMORROW



Technical Information

H1 Axial Piston Single Pumps

Size 069/078



Revision history*Table of revisions*

| Date | Changed | Rev |
|----------------|--|------------|
| May 2017 | NFPE gen. 3 changes. | 0801 |
| November 2015 | Master Model Code changes. | 0700 |
| September 2014 | MDC, CCO, and Swash Angle Sensor options added | GA |
| March 2014 | Converted to Danfoss layout - DITA CMS | FA |
| April 2013 | FDC option added | EA |
| Feb 2013 | AC section added | DA |
| Dec 2012 | Size 69 added | CA |
| Jun 2010 | New EC directive | BA |
| Jul 2009 | First edition | AA |

Contents

Technical specifications

| | |
|--|---|
| H1 Pump General Specification..... | 5 |
| Technical data H1P 069/078..... | 5 |
| Operating parameters H1P 069/078..... | 6 |
| Fluid Specifications | 6 |
| External Radial Shaft Loads..... | 7 |
| Bearing life H1P 069/078..... | 8 |
| Mounting flange loads H1P 069/078..... | 8 |
| Charge pump..... | 9 |
| Charge Pump Selection..... | 9 |
| Charge pump flow and power curves, 14/17 cm ³ | 9 |

Master Model Code

Control Options

| | |
|--|----|
| Electrical Displacement Control (EDC)..... | 17 |
| EDC Control Signal Requirements..... | 17 |
| EDC Solenoid Data..... | 18 |
| Control Response..... | 19 |
| EDC response time – H1P 069/078..... | 19 |
| EDC response time – H1P 069/078..... | 19 |
| Manual Displacement Control (MDC) | 20 |
| MDC Torque..... | 20 |
| MDC General Information..... | 21 |
| MDC Shaft Rotation..... | 21 |
| Control Response..... | 21 |
| MDC response time – H1P 069/078..... | 22 |
| Neutral Start Switch (NSS)..... | 22 |
| Connector..... | 23 |
| Case Gauge Port M14..... | 23 |
| Lever..... | 23 |
| Forward-Neutral-Reverse electric control (FNR), options: A9 (12 V) and B1 (24 V)..... | 24 |
| Control Response..... | 25 |
| FNR response time 060/068..... | 25 |
| Non Feedback Proportional Electric Control (NFPE)..... | 26 |
| NFPE control signal requirements – H1P 069/078..... | 27 |
| Control Response..... | 29 |
| NFPE response time – H1P 069/078..... | 29 |
| Automotive Control (AC)..... | 30 |
| Mode types..... | 30 |
| Basic functions..... | 30 |
| Performance functions..... | 31 |
| Protection and safety functions..... | 31 |
| Engine control and protection..... | 31 |
| Installation features..... | 31 |
| Fan Drive Control (FDC)..... | 32 |
| Control Response..... | 33 |
| Response time, FDC 069/078..... | 33 |
| Manual Over Ride (MOR)..... | 34 |
| Swash Plate Angle Sensor for AC2 controls..... | 35 |
| Swash Plate Angle Sensor Parameters..... | 35 |
| Swash plate angle sensor connector..... | 35 |
| Swashplate angle versus output voltage graph (calibrated at 50 °C), calculation formula..... | 36 |
| Interface with ECU..... | 36 |
| Control-Cut-Off valve (CCO valve)..... | 37 |
| CCO solenoid data..... | 37 |
| Brake gauge port with MDC..... | 38 |
| Displacement limiter..... | 39 |
| Displacement change (approximately) H1P 069/078..... | 39 |

Dimensions

Contents

| | |
|---|----|
| H1P input shaft - Option G1 (SAE C, 14 teeth)..... | 40 |
| H1P input shaft - Option G9 (SAE C-C, 23 teeth)..... | 41 |
| H1P input shaft - Option F1 (SAE C, 21 teeth)..... | 42 |
| H1P input shaft, option F4, Code 38-3..... | 43 |
| Tapered shaft customer acknowledgement..... | 43 |
| H1P Auxiliary mounting, option H2 (SAE A, 9 teeth)..... | 44 |
| H1P Auxiliary mounting, option H1 (SAE A, 11 teeth) | 45 |
| H1P Auxiliary mounting, option H3 (SAE B, 13 teeth) | 46 |
| H1P Auxiliary mounting, option H5 (SAE B-B, 15 teeth) | 47 |
| H1P Auxiliary mounting, option H6 (SAE C, 14 teeth) | 48 |
| H1P 069/078 displacement limiter, option B..... | 49 |

Installation drawings

| | |
|------------------------------------|----|
| Ports description H1P 069/078..... | 50 |
| Dimensions H1P 069/078..... | 52 |

Controls

| | |
|--|----|
| Electric Displacement Control (EDC), option A2 (12 V)/A3 (24 V)..... | 55 |
| Electric Displacement Control (EDC), with MOR, option A4 (12 V)/A5 (24 V)..... | 55 |
| H1P 069/078 Manual Displacement Control (MDC), option M1..... | 56 |
| H1P 069/078 Manual Displacement Control (MDC) with CCO, option M3, M4..... | 57 |
| H1P 069/078 Manual Displacement Control (MDC) with NSS, option M2..... | 58 |
| H1P 069/078 Manual Displacement Control (MDC) with NSS and CCO, option M5, M6..... | 59 |
| Forward-Neutral-Reverse (FNR) with manual override, option A9 (12 V)/B1 (24 V)..... | 60 |
| Non Feedback Proportional Electric control (NFPE), with MOR, option A8 (12 V)/B8 (24 V)..... | 61 |
| Non Feedback Proportional Electric control (NFPE) with Angle Sensor..... | 62 |
| Automotive Control (AC) Dimensions..... | 63 |
| Fan Drive Control (FDC), option F1 (12V) / F2 (24V)..... | 64 |

Filtration

| | |
|---|----|
| H1P 069/078, suction filtration, option L | 65 |
| Remote full charge pressure filtration, option P for end cap option F5 (SAE-C PTO)..... | 65 |
| Integral full flow charge pressure filtration with filter bypass sensor, option M | 66 |
| External full flow charge pressure filtration, option S for end cap options D8 or F5..... | 67 |

Technical specifications

H1 Pump General Specification

| | |
|--|---|
| Design | Axial piston pump of cradle swashplate design with variable displacement |
| Direction of rotation | Clockwise, Counterclockwise |
| Pipe connections | <i>Main pressure ports:</i> ISO split flange boss <i>Remaining ports:</i> SAE straight thread O-ring boss |
| Recommended installation position | Pump installation position is discretionary, however the recommended control position is on the top or at the side with the top position preferred. If the pump is installed with the control at the bottom, flushing flow must be provided through port M14 located on the EDC, FNR and NFPE control. Vertical input shaft installation is acceptable. If input shaft is at the top 1 bar case pressure must be maintained during operation. The housing must always be filled with hydraulic fluid. Recommended mounting for a multiple pump stack is to arrange the highest power flow towards the input source. Consult Danfoss for nonconformance to these guidelines. |
| Auxiliary cavity pressure | Will be inlet pressure with internal charge pump. For reference see H1P 069/078 Operating Parameters . Will be case pressure with external charge supply. Please verify mating pump shaft seal capability. |

Technical data H1P 069/078

| Feature | Size 069 | Size 078 |
|--|--|---|
| Displacement | 69.2 cm ³ [4.22 in ³] | 78.1 cm ³ [4.77 in ³] |
| Flow at rated (continuous) speed | 243 l/min [53.5 US gal/min] | 273 l/min [72 US gal/min] |
| Torque at maximum displacement (theoretical) | 1.1 N•m/bar [672 lbf•in/1000 psi] | 1.24 N•m/bar [758 lbf•in/1000 psi] |
| Mass moment of inertia of rotating components | 0.0077 kg•m ² [0.0057 slug•ft ²] | 0.0094 kg•m ² [0.00693 slug•ft ²] |
| Mass [weight] dry | 56 kg [123 lb] (without charge pump or auxiliary mounting flange) | |
| Oil volume | 2 l [0.5 US gal] | |
| Mounting flange | ISO 3019-1 flange 127-4 (SAE C) | |
| Input shaft outer diameter, splines and tapered shafts | ISO 3019-1, outer Ø 32 mm - 4 (SAE C, 14 teeth) ISO 3019-1, outer Ø 35 mm - 4 (SAE C, 21 teeth) ISO 3019-1, outer Ø 38 mm - 4 (SAE C-C, 23 teeth) Conical keyed shaft end similar to ISO 3019-1 code 38-3, taper 1:8 | |
| Auxiliary mounting flange with metric fasteners, Shaft outer diameter and splines | ISO 3019-1, flange 82 - 2, outer Ø 16 mm - 4 (SAE A, 9 teeth) ISO 3019-1, flange 82 - 2, outer Ø 19 mm - 4 (SAE A, 11 teeth) ISO 3019-1, flange 101 - 2, outer Ø 22 mm - 4 (SAE B, 13 teeth) ISO 3019-1, flange 101 - 2, outer Ø 25 mm - 4 (SAE B-B, 15 teeth) ISO 3019-1, flange 127 - 4, outer Ø 32 mm - 4 (SAE C, 14 teeth) | |
| Suction port | Port ISO 11926-1 – 1 5/8 -12 (SAE O-ring boss) | |
| Main port configuration | Ø25.4 - 450 bar split flange boss per ISO 6162, M12x1.75 | |
| Case drain ports L2, L4 | Port ISO 11926-1 – 1 1/16 -12 (SAE O-ring boss) | |
| Other ports | SAE O-ring boss | |
| Customer interface threads | Metric fasteners | |

Technical specifications

Operating parameters H1P 069/078

| Feature | | Size 069/078 |
|--|---|--------------------------------------|
| Input speed (at minimum charge/ control pressure) | Minimum for internal charge supply.¹⁾ | 500 min ⁻¹ (rpm) |
| | Minimum for external charge supply.²⁾ | 500 min ⁻¹ (rpm) |
| | Minimum for full performance for internal charge supply. | 1200 min ⁻¹ (rpm) |
| | Rated | 3500 min ⁻¹ (rpm) |
| | Maximum | 4000 min ⁻¹ (rpm) |
| System pressure | Maximum working pressure | 450 bar [6528 psi] |
| | Maximum pressure | 480 bar [6960 psi] |
| | Maximum low loop | 45 bar [650 psi] |
| | Minimum low loop pressure | 10 bar [145 psi] |
| Charge pressure | Minimum | 16 bar [232 psi] |
| | Maximum | 35 bar [508 psi] |
| Control pressure | Minimum (at corner power for EDC, MDC and FNR) | 14 bar [203 psi] |
| | Minimum (at corner power for NFPE) | 25 bar [363 psi] |
| | Maximum | 40 bar [580 psi] |
| Charge pump inlet pressure | Rated | 0.7 bar (absolute) [9 in Hg vacuum] |
| | Minimum (cold start) | 0.2 bar (absolute) [24 in Hg vacuum] |
| | Maximum | 4 bar [58 psi] |
| Case pressure | Rated | 3 bar [44 psi] |
| | Maximum | 5 bar [73 psi] |
| Lip seal external maximum pressure | | 0.4 [5.8 psi] |

¹⁾ Performance (pressure and displacement) may be limited due to limited control pressure.

²⁾ Full performance (pressure and displacement) possible at minimum charge and control pressure supply.

Fluid Specifications

Viscosity and Temperature range

| Feature | | Unit | Data |
|---------------------------------------|--|---------------------------|---------------------|
| Viscosity | Intermittent¹⁾ | mm ² /s [SUS] | 5 [42] |
| | Minimum | | 7 [49] |
| | Recommended range | | 12 – 80 [66 – 370] |
| | Maximum | | 1600 [7500] |
| Temperature range²⁾ | Minimum³⁾ (Cold start) | °C [°F] | -40 [-40] |
| | Recommended range | | 60 – 85 [140 – 185] |
| | Rated | | 104 [220] |
| | Maximum Intermittent¹⁾ | | 115 [240] |

¹⁾ Intermittent = Short term t < 1 min per incident and not exceeding 2 % of duty cycle based load-life

²⁾ At the hottest point, normally case drain port

³⁾ Cold start = Short term t < 3 min, p ≤ 50 bar [725 psi], n ≤ 1000 min⁻¹ (rpm)

Technical specifications

Filtration, Cleanliness level and Efficiency β_x -ratio (Recommended Minimum)

| | |
|---|---|
| Cleanliness per ISO 4406 | 22/18/13 |
| Efficiency β_x (charge pressure filtration) | $\beta_{15-20} = 75$ ($\beta_{10} \geq 10$) |
| Efficiency β_x (suction and return line Filtration) | $\beta_{35-45} = 75$ ($\beta_{10} \geq 2$) |
| Recommended inlet screen mesh size | 100 – 125 μm |

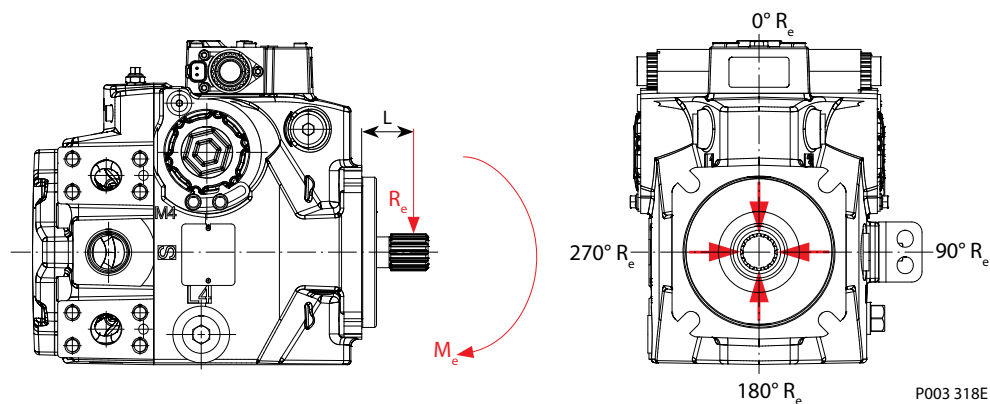
External Radial Shaft Loads

The pumps are designed with bearings that can accept some external radial loads. The external radial shaft load limits are a function of the load position and orientation, and the operating conditions of the unit. External radial shaft loads impact lifetime. For lifetime calculations please contact your Danfoss representative.

The maximum allowable radial load (R_e) is based on the maximum external moment (M_e) and the distance (L) from the mounting flange to the load. It may be determined using the following formula:

$$R_e = \frac{M_e}{L}$$

Radial load position



- M_e = shaft moment
- L = flange distance
- R_e = external force to the shaft

Thrust loads should be avoided. Contact your Danfoss representative in the event thrust loads are anticipated.

Technical specifications

Bearing life H1P 069/078

Maximum external shaft moment based on shaft deflection (both sizes 069/078):

$$M_e = 109 \text{ N}\cdot\text{m} [965 \text{ lbf}\cdot\text{in}]$$

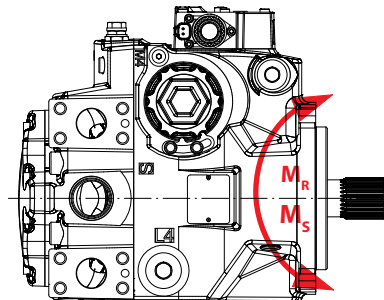
All external shaft loads affect bearing life. In applications with external shaft loads, minimize the impact by positioning the load at 0° or 180° as shown in the figure. Danfoss recommends clamp-type couplings for applications with radial shaft loads.

Contact your Danfoss representative for an evaluation of unit bearing life if you have continuously applied external loads exceeding 25 % of the maximum allowable radial load (R_e) or the pump swashplate is positioned on one side of center all or most of the time.

Mounting flange loads H1P 069/078

The moments shown below apply for top or side control orientation.

Mounting flange loads, Size 069/078



P001 916

Rated moment:

$$M_R = 3700 \text{ N}\cdot\text{m} [32\,750 \text{ lbf}\cdot\text{in}]$$

Shock load moment:

$$M_S = 7900 \text{ N}\cdot\text{m} [69\,920 \text{ lbf}\cdot\text{in}]$$

For more information, see *H1 Axial Piston Pumps, Basic Information*, **BC00000057**, the section “Mounting flange loads”.

Technical specifications

Charge pump

Charge Pump Selection

In most applications a general guideline is that the charge pump displacement should be at least 10% of the total displacement of all components in the system. Unusual application conditions may require a more detailed review of charge flow requirements. System features and conditions which may invalidate the 10% guideline include (but are not limited to):

- Continuous operation at low input speeds < 1500 min⁻¹ (rpm)
- High shock loading and/or long loop lines
- High flushing flow requirements
- Multiple low speed high torque motors
- High input shaft speeds

Contact your Danfoss representative for application assistance if your application includes any of these conditions.

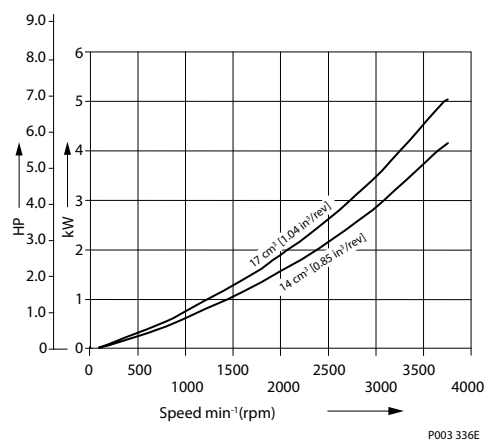
Charge pump flow and power curves, 14/17 cm³

Charge pressure: 20 bar [290 psi]

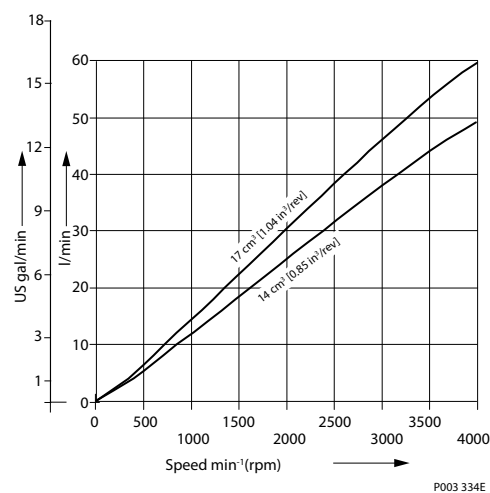
Viscosity: 11 mm²/s [63 SUS]

Temperature: 80°C [176°F]

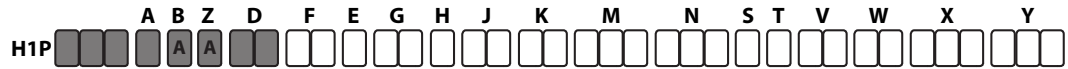
Charge pump power requirements



Charge pump flow



Master Model Code



Displacement

| | |
|------------|--|
| 069 | 69.2 cm ³ [4.22 in ³] |
| 078 | 78.1 cm ³ [4.77 in ³] |

A – Rotation

| | |
|----------|-------------------------------|
| L | Left hand (counter clockwise) |
| R | Right hand (clockwise) |

B – Product version

| | |
|----------|---------------|
| C | Revision code |
|----------|---------------|

Z – Port configuration

| | |
|----------|---|
| A | Inch, Customer O-ring port sealing according to ISO 11926-1 |
|----------|---|

D – Controls — Electric Displacement Control (EDC)

| Code | Control type | Voltage | MOR | CCO with key C | DEUTSCH Connector |
|-----------|--------------|---------|-----|----------------|-------------------|
| A2 | EDC | 12 V | — | — | ● |
| A3 | EDC | 24 V | — | — | ● |
| A4 | EDC | 12 V | ● | — | ● |
| A5 | EDC | 24 V | ● | — | ● |
| E7 | EDC | 12 V | — | ● | ● |
| E8 | EDC | 24 V | — | ● | ● |

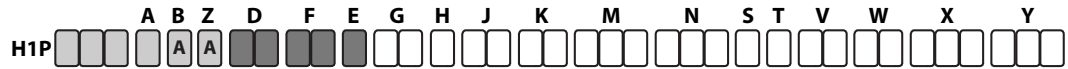
● – To be used for the control; — Not to be used for the control

D – Controls (continued) — Non Feedback Proportional Electric Control (NFPE)

| Code | Control type | Voltage | MOR | CCO with key C | Angle sensor | DEUTSCH Connector |
|-----------|--------------|---------|-----|----------------|--------------|-------------------|
| N1 | NFPE | 12 V | ● | — | — | ● |
| N2 | NFPE | 24 V | ● | — | — | ● |
| N3 | NFPE | 12 V | — | ● | ● | ● |
| N4 | NFPE | 24 V | — | ● | ● | ● |
| N5 | NFPE | 12 V | ● | — | ● | ● |
| N6 | NFPE | 24 V | ● | — | ● | ● |
| N7 | NFPE | 12 V | — | ● | — | ● |
| N8 | NFPE | 24 V | — | ● | — | ● |

Align with options: **E**: Displacement limiters and **W**: Special hardware.

Master Model Code



F – Orifices

| Code | Orifice | | | Controls: To be used for (●) / NOT to be used for (-) | | | |
|-----------|------------|--------|--------|---|-----|----------|-----|
| | Tank (A+B) | P | A / B | EDC, FNR | MDC | NFPE, AC | FDC |
| C3 | No orifice | | | ● | ● | – | – |
| C1 | – | – | 0.8 mm | ● | ● | ● | – |
| C2 | – | – | 1.3 mm | ● | ● | ● | ● |
| C4 | – | – | 1.8 mm | ● | ● | ● | – |
| C6 | 1.0 mm | – | – | – | ● | – | – |
| C7 | 1.3 mm | – | – | – | ● | – | – |
| D1 | 0.8 mm | 1.0 mm | – | – | ● | – | – |
| D2 | 0.8 mm | 1.3 mm | – | – | ● | – | – |
| D3 | 1.0 mm | 1.3 mm | – | – | ● | – | – |
| D4 | 1.0 mm | 1.3 mm | 1.3 mm | – | ● | – | – |
| D5 | 0.6 mm | 0.6 mm | 0.8 mm | – | ● | – | – |
| D6 | 1.3 mm | 1.3 mm | – | – | ● | – | – |
| D7 | – | – | 3.0 mm | – | – | ● | – |

E – Displacement limiter

| | |
|----------|--|
| N | None |
| C | No limiters, with nested springs, required for NFPE, AC, FDC * |
| B | Adjustable externally |
| D | Adjustable externally with nested springs, required for NFPE, AC, FDC * |

* Align with option **Y**: Settings for adjustment (if applicable).ima1444887758105

Master Model Code



G – Endcap options (Twin port, ISO 6162 split flange ports)

| Align with options T – Filtration (below) and K – Auxiliary mounting pads : | | | |
|---|--------------------|--------------------------------------|--|
| <ul style="list-style-type: none"> • ISO 3019-1, flange 82–2 (SAE A, 9 and 11 teeth) • ISO 3019-1, flange 101–2 (SAE B, 13 teeth) • ISO 3019-1, flange 101–2 (SAE B-B, 15 teeth) or None | | | |
| Code | Suction filtration | Integral full charge flow filtration | Remote or external charge supply for full charge flow filtration |
| D3 | – | ● | – |
| D6 | ● | – | – |
| D8 | – | – | ● |
| Align with option K – Auxiliary mounting pad : ISO 3019-1, flange 127–4 (SAE C, 14 teeth) | | | |
| F4 | – | ● | – |
| F5 | – | – | ● |
| F6 | ● | – | – |

H – Mounting

| | |
|----------|---|
| H | ISO 3019-1, flange 127–4 (SAE C) |
| K | ISO 3019-1, flange 127–4 (SAE C), 4-bolt and speed sensor |

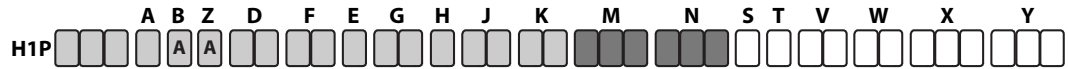
J – Input shaft

| | |
|-----------|---|
| G1 | ISO 3019-1, outer Ø32 mm - 4 (SAE C, 14 teeth splined shaft 12/24 pitch) |
| G9 | ISO 3019-1, outer Ø38 mm - 4 (SAE C-C, 23 teeth splined shaft 16/32 pitch) |
| F1 | ISO 3019-1, outer Ø35 mm - 4 (SAE C, 21 teeth splined shaft 16/32 pitch) |
| F4 | Conical keyed shaft end similar to ISO 3019-1 code 38-3, taper 1:8 (key not supplied with pump) |

K – Auxiliary mounting pad per ISO 3019-1 (Align with option G: Endcap selection)

| | | |
|-----------|---|----------------|
| NN | None | Shipping cover |
| H1 | Flange 82–2, outer Ø19 mm - 4 (SAE A, 11 teeth 16/32 coupling) | |
| H2 | Flange 82–2, outer Ø16 mm - 4 (SAE A, 9 teeth 16/32 coupling) | |
| H3 | Flange 101–2, outer Ø22 mm - 4 (SAE B, 13 teeth 16/32 coupling) | |
| H5 | Flange 101–2, outer Ø25 mm - 4 (SAE B-B, 15 teeth 16/32 coupling) | |
| H6 | Flange 127–4, outer Ø32 mm - 4 (SAE C, 14 teeth 12/24 coupling) | |
| S1 | Flange 101–2, outer Ø22 mm - 4 (SAE B, 14 teeth 12/24 coupling, not SAE standard) | |

Master Model Code



M – Overpressure protection type, side “A” / N – Overpressure protection type, side “B”

| Pressure limiter and HPRV with bypass, pressure protection type must be the same for side “A” and “B” | | |
|--|--|--------------------|
| L ¹⁾ | Pressure limiter setting | HPRV setting |
| L15 | 150 bar [2900 psi] | 200 bar [2900 psi] |
| L18 | 180 bar [2610 psi] | 250 bar [3630 psi] |
| L20 | 200 bar [2900 psi] | 250 bar [3630 psi] |
| L23 | 230 bar [3336 psi] | 280 bar [4061 psi] |
| L25 | 250 bar [3630 psi] | 300 bar [4350 psi] |
| L28 | 280 bar [4061 psi] | 330 bar [4786 psi] |
| L30 | 300 bar [4350 psi] | 350 bar [5080 psi] |
| L33 | 330 bar [4786 psi] | 380 bar [5510 psi] |
| L35 | 350 bar [5080 psi] | 400 bar [5800 psi] |
| L38 | 380 bar [5510 psi] | 420 bar [6090 psi] |
| L40 | 400 bar [5800 psi] | 450 bar [6526 psi] |
| L42 | 420 bar [6090 psi] | 450 bar [6526 psi] |
| L45 | 450 bar [6526 psi] | 480 bar [6962 psi] |
| Overpressure protection type and setting for FDC | | |
| F01 | 150 bar [2175 psi] | 250 bar [3630 psi] |
| F02 | 150 bar [2175 psi] | 300 bar [4350 psi] |
| F03 | 150 bar [2175 psi] (Available for 069 only.) | 350 bar [5080 psi] |

| High pressure relief valve with bypass, pressure protection type must be the same for side “A” and “B” | |
|---|--------------------------------|
| K ¹⁾ | Pressure setting ²⁾ |
| K18 | 180 bar [2610 psi] |
| K20 | 200 bar [2900 psi] |
| K23 | 230 bar [3336 psi] |
| K25 | 250 bar [3630 psi] |
| K28 | 280 bar [4061 psi] |
| K30 | 300 bar [4350 psi] |
| K33 | 330 bar [4786 psi] |
| K35 | 350 bar [5080 psi] |
| K38 | 380 bar [5510 psi] |
| K40 | 400 bar [5800 psi] |
| K42 | 420 bar [6090 psi] |
| K45 | 450 bar [6526 psi] |

¹⁾ L, F – with pressure limiter; K – without pressure limiter.

²⁾ Please contact Danfoss for pressures not shown or for applied pressure above max. working pressure.

Master Model Code



S – Charge pump

| | |
|----------|---|
| F | 14 cm ³ /rev [0.85 in ³ /rev] |
| C | 17 cm ³ /rev [1.03 in ³ /rev] |
| N | No charge pump, external charge supply (Align with options: E and T) |

T – Filtration (Align with option G: Endcap selection)

| | |
|----------|--|
| L | Suction filtration (see <i>H1P 069/078, suction filtration, option L</i> on page 65) |
| M | Integral full charge flow filtration with bypass, bypass sensor, medium filter length, 11004918 |
| N | Integral full charge flow filtration with bypass, bypass sensor (no filter) |
| P | Remote full charge flow filtration |
| E | External charge flow filtration (Align with options: N and S) |

V – Charge pressure relief setting

| | | |
|-----------|------------------|--|
| 20 | 20 bar [290 psi] | <u>Not to be used for NFPE, AC and FDC controls.</u> |
| 22 | 22 bar [319 psi] | |
| 24 | 24 bar [348 psi] | |
| 26 | 26 bar [377 psi] | |
| 28 | 28 bar [406 psi] | |
| 30 | 30 bar [435 psi] | |
| 32 | 32 bar [464 psi] | |
| 34 | 34 bar [493 psi] | |

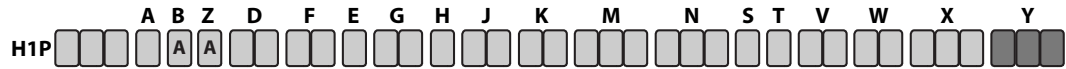
W – Special hardware features

| | |
|-----------|--|
| PN | EDC / FNR / MDC valve plate |
| P1 | NFPE valve plate (Align with options: D and E) |
| P2 | NFPE / FDC / AC valve plate and speed ring on the cylinder block |
| P4 | EDC / FNR / MDC valve plate with speed ring on the cylinder block (Align with options: D and E) |
| H1 | MDC / EDC / FNR valve plate with MDC handle |

X – Paint and nametag

| | |
|------------|---------------------------------|
| NNN | Black paint and Danfoss nametag |
|------------|---------------------------------|

Master Model Code



Y – Special settings (SIL–2 non-certifiable, without customer files)

| Code | CAN J1939 | ECO fuel saving mode | Functional option | Cruise control | Control | AC type |
|------------|------------------------------|----------------------|-------------------|----------------|-----------------------------|--|
| D3E | in/out | ● | E | – | N1 (12 V _{DC}) | AC–1 |
| D3F | in/out | – | F | – | | |
| D4E | in/out | ● | E | – | N2 (24 V _{DC}) | |
| D4F | in/out | – | F | – | | |
| D5F | in/out | – | F | – | P8 (12 V _{DC}) | AC–2 with Swash Plate Angle Sensor |
| D5J | in/out | ● | J | ● | | |
| D6F | in/out | – | F | – | P9 (24 V _{DC}) | |
| D6J | in/out | ● | J | ● | | |
| M00 | MDC handle standard position | | | | | |
| NNN | None | | | | | |

● = available option
 – = not available option

Control Options

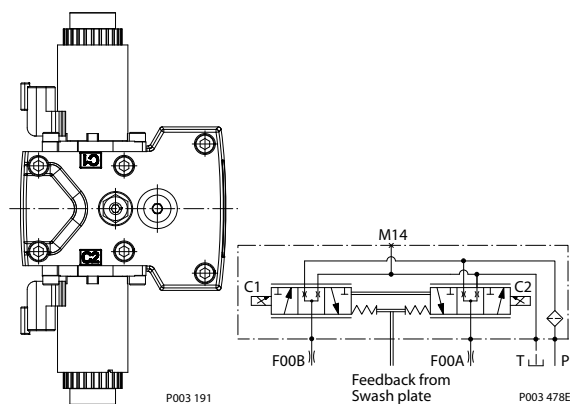
Electrical Displacement Control (EDC)

The Electrical Displacement Control (EDC) consists of a pair of proportional solenoids on each side of a three-position, four-way porting spool. The proportional solenoid applies a force input to the spool, which ports hydraulic pressure to either side of a double acting servo piston.

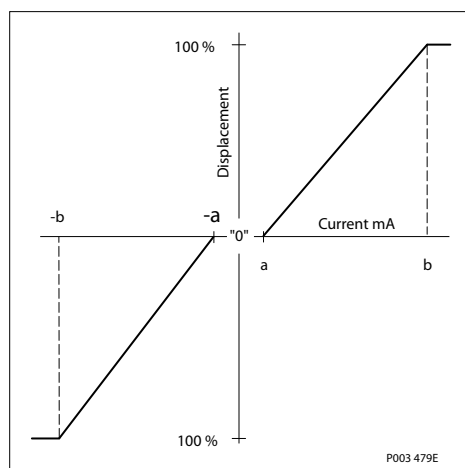
Differential pressure across the servo piston rotates the swashplate, changing the pump's displacement from full displacement in one direction to full displacement in the opposite direction.

Under some circumstances, such as contamination, the control spool could stick and cause the pump to stay at some displacement. A serviceable 125 µm screen is located in the supply line immediately before the control porting spool.

Electrical Displacement Control, with hydraulic schematic



Pump displacement vs. control current



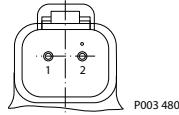
EDC Control Signal Requirements

Control minimum current to stroke pump

| Voltage | a* | b | Pin connections |
|---------|--------|---------|-----------------|
| 12 V | 640 mA | 1640 mA | any order |
| 24 V | 330 mA | 820 mA | |

* Factory test current, for vehicle movement or application actuation expect higher or lower value.

Control Options



Connector ordering data

| Description | Quantity | Ordering data |
|--------------------------------|----------|------------------------|
| Mating connector | 1 | DEUTSCH DT06-2S |
| Wedge lock | 1 | DEUTSCH W2S |
| Socket contact (16 and 18 AWG) | 2 | DEUTSCH 0462-201-16141 |
| Danfoss mating connector kit | 1 | K29657 |

EDC Solenoid Data

Solenoid data

| Description | | 12 V | 24 V |
|--------------------------------|---------------------------|------------------------------|---------|
| Maximum current | | 1800 mA | 920 mA |
| Nominal coil resistance | @ 20 °C [68 °F] | 3.66 Ω | 14.20 Ω |
| | @ 80 °C [176 °F] | 4.52 Ω | 17.52 Ω |
| Inductance | | 33 mH | 140 mH |
| PWM signal frequency | Range | 70 – 200 Hz | |
| | Recommended* | 200 Hz | |
| IP Rating | IEC 60 529 | IP 67 | |
| | DIN 40 050, part 9 | IP 69K with mating connector | |
| Connector color | | Black | |

* PWM signal required for optimum control performance.

Pump output flow direction vs. control signal

| Shaft rotation | CW | | CCW | |
|------------------------|-----|-----|-----|-----|
| | C1 | C2 | C1 | C2 |
| Coil energized* | | | | |
| Port A | out | in | in | out |
| Port B | in | out | out | in |
| Servo port pressurized | M4 | M5 | M4 | M5 |

* For coil location see Installation drawings.

Control Options

Control Response

H1 controls are available with optional control passage orifices to assist in matching the rate of swashplate response to the application requirements (e.g. in the event of electrical failure). The time required for the pump output flow to change from zero to full flow (acceleration) or full flow to zero (deceleration) is a net function of spool porting, orifices, and charge pressure. A swashplate response table is available for each frame indicating available swashplate response times. Testing should be conducted to verify the proper orifice selection for the desired response.

[H1 pumps are limited in mechanical orificing combinations. Mechanical servo orifices are to be used only for fail-safe return to neutral in the event of an electrical failure.](#)

Typical response times at the following conditions:

| | |
|----------------------------------|--|
| Δp | 250 bar [3626 psi] |
| Viscosity and temperature | 30 mm ² /s [141 SUS] and 50 °C [122 °F] |
| Charge pressure | 20 bar [290 psi] |
| Speed | 1800 min ⁻¹ (rpm) |

EDC response time – H1P 069/078

| Stroking direction | 0.8 mm [0.03 in] Orifice | 1.3 mm [0.05 in] Orifice | No orifice |
|----------------------|--------------------------|--------------------------|------------|
| Neutral to full flow | 1.9 s | 0.9 s | 0.6 s |
| Full flow to neutral | 1.6 s | 0.9 s | 0.5 s |

EDC response time – H1P 069/078

Control Options

Manual Displacement Control (MDC)

A Manual proportional Displacement Control (**MDC**) consists of a handle on top of a rotary input shaft. The shaft provides an eccentric connection to a feedback link. This link is connected on its one end with a porting spool. On its other end the link is connected the pumps swashplate.

This design provides a travel feedback without spring. When turning the shaft the spool moves thus providing hydraulic pressure to either side of a double acting servo piston of the pump.

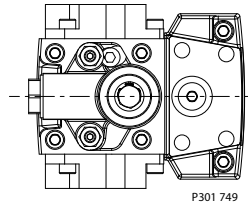
Differential pressure across the servo piston rotates the swash plate, changing the pump's displacement. Simultaneously the swashplate movement is fed back to the control spool providing proportionality between shaft rotation on the control and swashplate rotation.

The MDC changes the pump displacement between no flow and full flow into opposite directions. Under some circumstances, such as contamination, the control spool could stick and cause the pump to stay at some displacement.

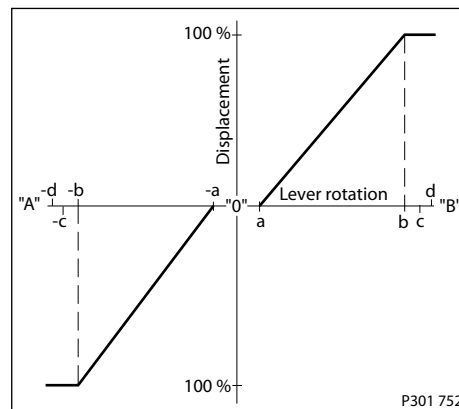
A serviceable 125 µm screen is located in the supply line immediately before the control porting spool.

The MDC is sealed by means of a static O-ring between the actuation system and the control block. Its shaft is sealed by means of a special O-ring which is applied for low friction. The special O-ring is protected from dust, water and aggressive liquids or gases by means of a special lip seal.

Manual Displacement Control



Pump displacement vs. control lever rotation



Legend:

Deadband on **B** side – $a = 3^\circ \pm 1^\circ$

Maximum pump stroke – $b = 30^\circ +2/-1^\circ$

Required customer end stop – $c = 36^\circ \pm 3^\circ$

Internal end stop – $d = 40^\circ$

MDC Torque

| Description | Value |
|--|-------------------------|
| Torque required to move handle to maximum displacement | 1.4 N·m [12.39 lbf·in] |
| Torque required to hold handle at given displacement | 0.6 N·m [5.31 lbf·in] |
| Maximum allowable input torque | 20 N·m [177 lbf·in] |

Control Options

! Caution

Volumetric efficiencies of the system will have impacts on the start and end input commands.

MDC General Information

In difference to other controls the MDC provides a mechanical deadband. This is required to overcome the tolerances in the mechanical actuation.

The MDC contains an internal end stop to prevent over travel. The restoring moment is appropriate for turning the MDC input shaft back to neutral only. Any linkages or cables may prevent the MDC from returning to neutral.

The MDC is designed for a maximum case pressure of 5 bar and a rated case pressure of 3 bar. If the case pressure exceeds 5 bar there is a risk of an insufficient restoring moment. In addition a high case pressure can cause the NSS to indicate that the control is not in neutral. High case pressure may cause excessive wear.

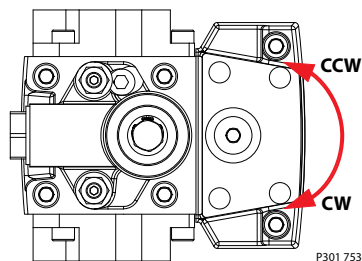
Customers can apply their own handle design but they must care about a robust clamping connection between their handle and the control shaft and avoid overload of the shaft.

Customers can connect two MDC's on a tandem unit in such a way that the actuation force will be transferred from the pilot control to the second control but the kinematic of the linkages must ensure that either control shaft is protected from torque overload. To avoid an overload of the MDC, customers must install any support to limit the setting range of the Bowden cable.

! Caution

Using the internal spring force on the input shaft is not an appropriate way to return the customer connection linkage to neutral.

MDC Shaft Rotation



MDC shaft rotation data

| Pump shaft rotation* | Clock Wise (CW) | | Counter Clock Wise (CCW) | |
|--------------------------|-----------------|------------|--------------------------|------------|
| | CW | CCW | CW | CCW |
| Port A | in (low) | out (high) | out (high) | in (low) |
| Port B | out (high) | in (low) | in (low) | out (high) |
| Servo port high pressure | M5 | M4 | M5 | M4 |

* As seen from shaft side.

Control Response

H1 controls are available with optional control passage orifices to assist in matching the rate of swashplate response to the application requirements (e.g. in the event of electrical failure). The time required for the pump output flow to change from zero to full flow (acceleration) or full flow to zero (deceleration) is a net function of spool porting, orifices, and charge pressure. A swashplate response table is available for each frame indicating available swashplate response times. Testing should be conducted to verify the proper orifice selection for the desired response.

Control Options

H1 pumps are limited in mechanical orificing combinations. Mechanical servo orifices are to be used only for fail-safe return to neutral in the event of an electrical failure.

Typical response times at the following conditions:

| | |
|----------------------------------|--|
| Δp | 250 bar [3626 psi] |
| Viscosity and temperature | 30 mm ² /s [141 SUS] and 50 °C [122 °F] |
| Charge pressure | 20 bar [290 psi] |
| Speed | 1800 min ⁻¹ (rpm) |

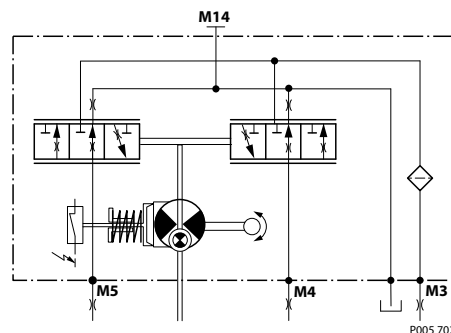
MDC response time – H1P 069/078

| Code | Orifice description (mm) | | | | Stroking direction (sec) | |
|-----------|--------------------------|-----|-----|------------|--------------------------|----------------------|
| | P | A | B | Tank (A+B) | Neutral to full flow | Full flow to neutral |
| C3 | – | – | – | – | 0.4 s | 0.5 s |
| C6 | – | – | – | 1 | 1.4 s | 1.1 s |
| C7 | – | – | – | 1.3 | 0.9 s | 0.8 s |
| C8 | 0.8 | – | – | 0.6 | 4.2 s | 3.1 s |
| C9 | 1 | – | – | 0.6 | 3.9 s | 2.9 s |
| D1 | 1 | – | – | 0.8 | 2.5 s | 1.9 s |
| D2 | 1.3 | – | – | 0.8 | 2.2 s | 1.7 s |
| D3 | 1.3 | – | – | 1 | 1.6 s | 1.2 s |
| D4 | 1.3 | 1.3 | 1.3 | 1 | 1.9 s | 1.5 s |
| D5 | 0.6 | 0.8 | 0.8 | 0.6 | 7.5 s | 4.4 s |
| D6 | 1.3 | – | – | 1.3 | 1.9 s | 1.5 s |

Neutral Start Switch (NSS)

The Neutral Start Switch (**NSS**) contains an electrical switch that provides a signal of whether the control is in neutral. The signal in neutral is Normally Closed (**NC**).

Neutral Start Switch schematic

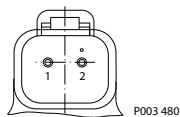


Neutral Start Switch data

| | |
|--|------------------------------------|
| Max. continuous current with switching | 8.4 A |
| Max. continuous current without switching | 20 A |
| Max. voltage | 36 V _{DC} |
| Electrical protection class | IP67 / IP69K with mating connector |

Control Options

Connector



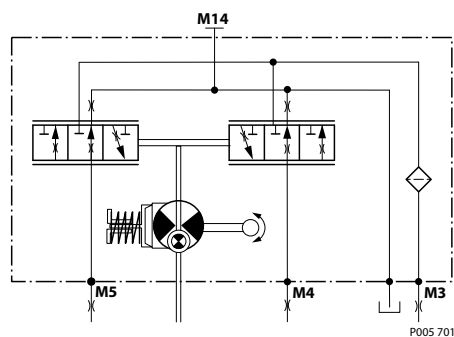
Connector ordering data

| Description | Quantity | Ordering data |
|--------------------------------|----------|------------------------|
| Mating connector | 1 | DEUTSCH DT06-2S |
| Wedge lock | 1 | DEUTSCH W2S |
| Socket contact (16 and 18 AWG) | 2 | DEUTSCH 0462-201-16141 |
| Danfoss mating connector kit | 1 | K29657 |

Case Gauge Port M14

The drain port should be used when the control is mounted on the unit's bottom side to flush residual contamination out of the control.

MDC schematic diagram



Lever

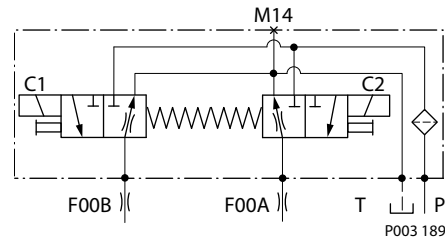
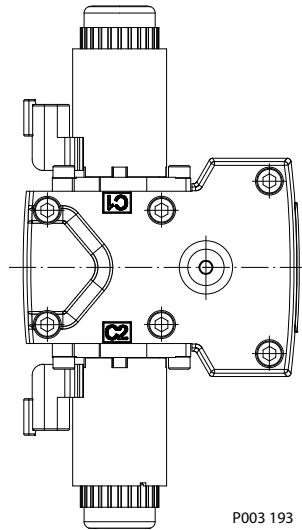
MDC-controls are available with an integrated lever.

Control Options

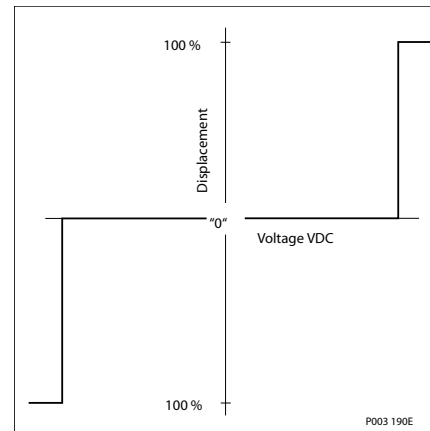
Forward-Neutral-Reverse electric control (FNR), options: A9 (12 V) and B1 (24 V)

The 3-position **FNR** control uses an electric input signal to switch the pump to a full stroke position. Under some circumstances, such as contamination, the control spool could stick and cause the pump to stay at some displacement. A serviceable 125 µm screen is located in the supply line immediately before the control porting spool.

Forward-Neutral-Reverse electric control (FNR) FNR hydraulic schematic

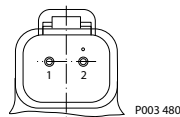


Pump displacement vs. electrical signal



Control current

| Voltage | Min. current to stroke pump | Pin connections |
|---------|-----------------------------|-----------------|
| 12 V | 750 mA | any order |
| 24 V | 380 mA | |



Connector ordering data

| Description | Quantity | Ordering data |
|--------------------------------|----------|------------------------|
| Mating connector | 1 | DEUTSCH DT06-2S |
| Wedge lock | 1 | DEUTSCH W2S |
| Socket contact (16 and 18 AWG) | 2 | DEUTSCH 0462-201-16141 |
| Danfoss mating connector kit | 1 | K29657 |

Control Options

Solenoid data

| Voltage | 12 V | 24 V |
|---|---|--------------------|
| Minimum supply voltage | 9.5 V _{DC} | 19 V _{DC} |
| Maximum supply voltage (continuous) | 14.6 V _{DC} | 29 V _{DC} |
| Maximum current | 1050 mA | 500 mA |
| Nominal coil resistance @ 20 °C [70 °F] | 8.4 Ω | 34.5 Ω |
| PWM Range | 70-200 Hz | |
| PWM Frequency (preferred)* | 100 Hz | |
| IP Rating (IEC 60 529) + DIN 40 050, part 9 | IP 67 / IP 69K (part 9 with mating connector) | |
| Bi-directional diode cut off voltage | 28 V _{DC} | 53 V _{DC} |

* PWM signal required for optimum control performance.

Pump output flow direction vs. control signal

| Shaft rotation | CW | | CCW | |
|------------------------|-----|-----|-----|-----|
| | C1 | C2 | C1 | C2 |
| Coil energized* | | | | |
| Port A | in | out | out | in |
| Port B | out | in | in | out |
| Servo port pressurized | M5 | M4 | M5 | M4 |

* For coil location see [Installation drawings](#) on page 50.

Control Response

H1 controls are available with optional control passage orifices to assist in matching the rate of swashplate response to the application requirements (e.g. in the event of electrical failure). The time required for the pump output flow to change from zero to full flow (acceleration) or full flow to zero (deceleration) is a net function of spool porting, orifices, and charge pressure. A swashplate response table is available for each frame indicating available swashplate response times. Testing should be conducted to verify the proper orifice selection for the desired response.

[H1 pumps are limited in mechanical orificing combinations. Mechanical servo orifices are to be used only for fail-safe return to neutral in the event of an electrical failure.](#)

Typical response times at the following conditions:

| | |
|---------------------------|--|
| Δp | 250 bar [3626 psi] |
| Viscosity and temperature | 30 mm ² /s [141 SUS] and 50 °C [122 °F] |
| Charge pressure | 20 bar [290 psi] |
| Speed | 1800 min ⁻¹ (rpm) |

FNR response time 060/068

| Stroking direction | 0.8 mm [0.03 in] orifice | 1.3 mm [0.05 in] orifice | No orifice |
|----------------------|--------------------------|--------------------------|------------|
| Neutral to full flow | 2.2 s | 1.0 s | 1.1 s |
| Full flow to neutral | 2.0 s | 0.9 s | 0.8 s |

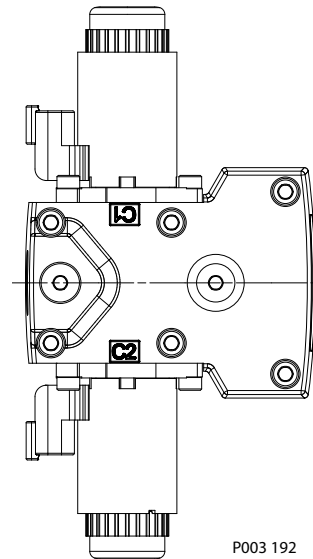
Control Options

Non Feedback Proportional Electric Control (NFPE)

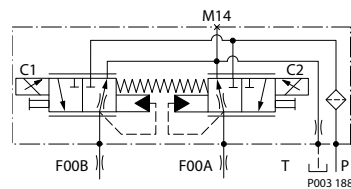
The Non Feedback Proportional Electric (**NFPE**) control is an electrical automotive control in which an electrical input signal activates one of two proportional solenoids that port charge pressure to either side of the pump servo cylinder. The NFPE control has no mechanical feedback mechanism.

A serviceable 170 µm screen is located in the supply line immediately before the control porting spool.

Non Feedback Proportional Electric Control



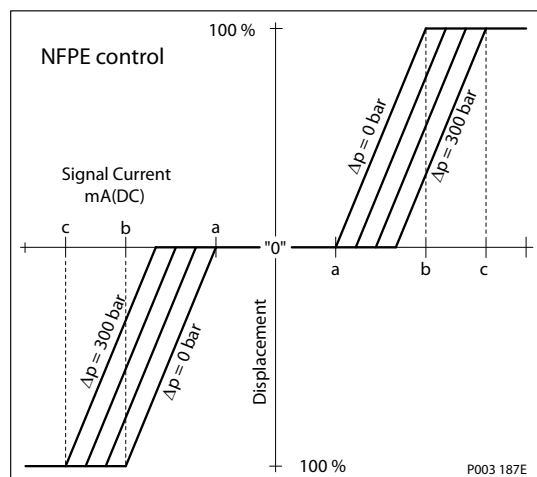
NFPE schematic



The pump displacement is proportional to the solenoid signal current, but it also depends upon pump input speed and system pressure. This characteristic also provides a power limiting function by reducing the pump swashplate angle as system pressure increases. A typical response characteristic is shown in the accompanying graph. Under some circumstances, such as contamination, the control spool could stick and cause the pump to stay at some displacement.

Control Options

Pump displacement vs. input signal

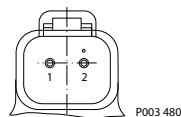


NFPE control signal requirements – H1P 069/078

Control minimum current to stroke pump

| Voltage | a* | b | Pin connections |
|---------|--------|---------|-----------------|
| 12 V | 694 mA | 1168 mA | any order |
| 24 V | 347 mA | 600 mA | |

* Factory test current, for vehicle movement or application actuation expect higher or lower value.



Connector ordering data

| Description | Quantity | Ordering data |
|--------------------------------|----------|------------------------|
| Mating connector | 1 | DEUTSCH DT06-2S |
| Wedge lock | 1 | DEUTSCH W2S |
| Socket contact (16 and 18 AWG) | 2 | DEUTSCH 0462-201-16141 |
| Danfoss mating connector kit | 1 | K29657 |

Solenoid data

| Description | 12 V | 24 V |
|--------------------------------|---------------------|-------------|
| Maximum current | 1800 mA | 920 mA |
| Nominal coil resistance | @ 20 °C [68 °F] | 3.66 Ω |
| | @ 80 °C [176 °F] | 4.52 Ω |
| Inductance | 33 mH | 140 mH |
| PWM signal frequency | Range | 70 – 200 Hz |
| | Recommended* | 200 Hz |

Control Options

Solenoid data (continued)

| Description | | 12 V | 24 V |
|-----------------|--------------------|------------------------------|------|
| IP Rating | IEC 60 529 | IP 67 | |
| | DIN 40 050, part 9 | IP 69K with mating connector | |
| Connector color | | Black | |

* PWM signal required for optimum control performance.

Pump output flow direction vs. control signal

| Shaft rotation | CW | | CCW | |
|------------------------|-----|-----|-----|-----|
| Coil energized* | C1 | C2 | C1 | C2 |
| Port A | in | out | out | in |
| Port B | out | in | in | out |
| Servo port pressurized | M5 | M4 | M5 | M4 |

* For coil location see Installation drawings.

Control Options

Control Response

H1 controls are available with optional control passage orifices to assist in matching the rate of swashplate response to the application requirements (e.g. in the event of electrical failure). The time required for the pump output flow to change from zero to full flow (acceleration) or full flow to zero (deceleration) is a net function of spool porting, orifices, and charge pressure. A swashplate response table is available for each frame indicating available swashplate response times. Testing should be conducted to verify the proper orifice selection for the desired response.

H1 pumps are limited in mechanical orificing combinations. Mechanical servo orifices are to be used only for fail-safe return to neutral in the event of an electrical failure.

Typical response times at the following conditions:

| | |
|----------------------------------|--|
| Δp | 250 bar [3626 psi] |
| Viscosity and temperature | 30 mm ² /s [141 SUS] and 50 °C [122 °F] |
| Charge pressure | 20 bar [290 psi] |
| Speed | 1800 min ⁻¹ (rpm) |

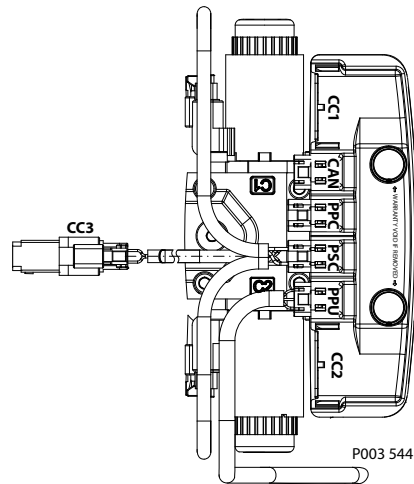
NFPE response time – H1P 069/078

| Stroking direction | 0.8 [0.03] orifice | 1.3 [0.05] orifice | 3.0 [0.12] orifice |
|---------------------------|---------------------------|---------------------------|---------------------------|
| Neutral to full flow | 2.9 s | 1.3 s | 0.6 s |
| Full flow to neutral | 1.6 s | 0.8 s | 0.3 s |

Control Options

Automotive Control (AC)

The H1 **Automotive Control (AC)** is an electric NFPE Control with an integrated microcontroller, installed on the pump. The integrated microcontroller enhanced control performance with a flexible, configurable control scheme for an entire single path propel transmission. It can be used in combination with fixed and variable displacement hydraulic-motors. With the pre-installed application software and easily changeable control parameters, it is possible to tailor the vehicle's driving behavior to the individual requirements of the customer.



The H1 Automotive Control is divided into 2 systems:

- AC-1
- AC-2

AC-2 is an extension of AC-1 that features an integrated pump swash plate angle sensor and software enabled functions such as Swash Plate Control.

Mode types

The application software provides 3 different hydrostatic propel methods, defined as mode types, which can be used individually.

- **Automotive Load dependent** (torque controlled) driving behavior. Setpoint for the drive curve is the engine rpm.
- **Non-Automotive Load independent** (speed controlled) driving mode. Setpoint for the drive curve is a Joystick or drive pedal signal, independent of the engine rpm. The best performance will be achieved with an AC-2 Swash Plate Angle Sensor.
- **Creep-Automotive Load dependent** (torque controlled) driving behavior (like Automotive). Setpoint for the drive curve is the engine rpm. The setpoint can be reduced by the creep potentiometer if a high engine rpm in combination with low vehicle speed is needed.

Basic functions

- Four selectable system modes, selectable via switch.
- Individual settings for forward and reverse driving direction (4 x 2 curves).
- Independent pump and hydraulic-motor profiling and ramping for each mode.
- Electric drive pedal connection
- Electronic inching function without separate control valve
- Electric creep mode potentiometer

Control Options

- Configurable System Mode & Direction change
- Load independent pump displacement control with integrated Swash Plate Angle Sensor (AC-2)
- Hydraulic-motor displacement control including brake pressure defeat function

Performance functions

- ECO fuel saving mode with automatic reduction of the engine speed during transport (Cruise control)
- Vehicle constant speed drive control
- Vehicle speed limitation
- Dynamic brake light, automatic park brake, reverse buzzer and status LED outputs
- Vehicle speed controlled output function.
- Temperature compensation for predictable performance
- Advanced CAN J1939 interface for the information exchange with the vehicle control system

Protection and safety functions

- Safety controlled vehicle start protection with engine speed check, battery check and FNR must be in neutral, etc..
- Operator presence detection
- Hydraulic system overheat and low-temperature protection
- Hydraulic motor over speed protection
- Park brake test mode for roller applications to fulfill SAE J1472 / EN500-4.
- SIL2 compliant

Engine control and protection

- CAN J1939 engine interface
- Engine speed control via drive pedal with safety controlled monitoring function
- Engine antistall protection
- Engine over speed protection during inching
- Engine speed dependent Retarder control
- Engine cold start protection

Installation features

- Factory calibration for hysteresis compensation.
- Starting current adjustment in the factory
- Pre-installed application software and parameter files

[For more information, see *Automotive Control for H1 Single Pumps Technical Information*, BC00000213.](#)

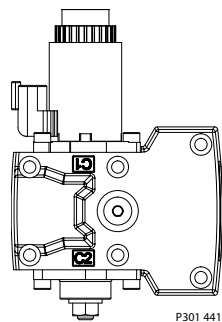
Control Options

Fan Drive Control (FDC)

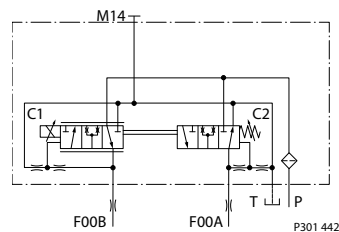
The Fan Drive Control (**FDC**) is a non-feedback control in which an electrical input signal activates the proportional solenoid that ports charge pressure to either side of the pump servo cylinder. The single proportional solenoid is used to control pump displacement in the forward or reverse direction. The control spool is spring biased to produce maximum forward pump displacement in the absence of an electrical input signal. Based on the spring bias spool default forward flow for a CW rotation pump is out of Port B while default forward flow for a CCW rotation pump is out of Port A.

The pump displacement is proportional to the solenoid signal current, but it also depends upon pump input speed and system pressure. This characteristic also provides a power limiting function by reducing the pump swashplate angle as system pressure increases. The pump should be configured with 0.8 mm control orifices to provide slowest response and maximize system stability. Additionally pressure limiter (PL) valves are used to limit maximum fan trim speed in both (forward and reverse) directions.

FDC control



FDC hydraulic schematic



H1 pumps with FDC will be delivered from factory with nominal PL setting of 150 bar [2175 psi]. The PL must be re-adjusted to ensure that the fan reaches the desired fan speed to satisfy the cooling needs of the system. HPRV setting must be always at least 30 bar [435 psi] higher than PL setting.

Under some circumstances, such as contamination, the control spool could stick and cause the pump to stay at some displacement.

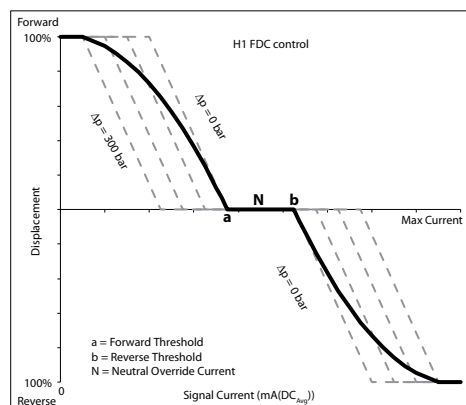
For more information necessary to properly size and configure a hydraulic fan drive system, see [Hydraulic Fan Drive Design Guidelines AB00000019](#).

Use in other systems could result in unintended movement of the machine or it's elements. Loss of the input signal to this control will cause the pump to produce maximum flow.

The FDC is for Fan Drive systems only!

Control Options

Pump displacement vs. control current



P301 443

Control Response

H1 controls are available with optional control passage orifices to assist in matching the rate of swashplate response to the application requirements (e.g. in the event of electrical failure). The time required for the pump output flow to change from zero to full flow (acceleration) or full flow to zero (deceleration) is a net function of spool porting, orifices, and charge pressure. A swashplate response table is available for each frame indicating available swashplate response times. Testing should be conducted to verify the proper orifice selection for the desired response.

[H1 pumps are limited in mechanical orificing combinations. Mechanical servo orifices are to be used only for fail-safe return to neutral in the event of an electrical failure.](#)

Typical response times at the following conditions:

| | |
|----------------------------------|--|
| Δp | 250 bar [3626 psi] |
| Viscosity and temperature | 30 mm ² /s [141 SUS] and 50 °C [122 °F] |
| Charge pressure | 20 bar [290 psi] |
| Speed | 1800 min ⁻¹ (rpm) |

Response time, FDC 069/078

| Stroking direction | 0.8 mm [0.03 in] Orifice |
|--|--------------------------|
| Full flow to neutral | 2.9 s |
| Full forward flow to full reverse flow | 4.3 s |

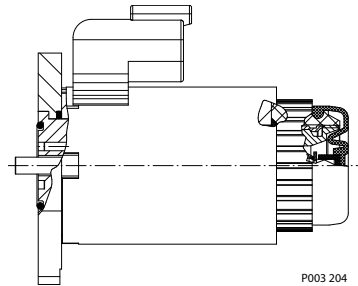
Control Options

Manual Over Ride (MOR)

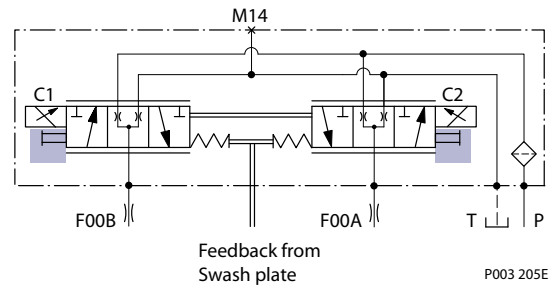
All controls are available with a Manual Over Ride (MOR) either standard or as an option for temporary actuation of the control to aid in diagnostics.

Forward-Neutral-Reverse (FNR) and Non Feedback Proportional Electric (NFPE) controls are always supplied with MOR functionality.

Manual OverRide (MOR)



MOR schematic diagram (EDC shown)



Unintended MOR operation will cause the pump to go into stroke. The vehicle or device must always be in a „safe“ condition (i.e. vehicle lifted off the ground) when using the MOR function.

The MOR plunger has a 4 mm diameter and must be manually depressed to be engaged. Depressing the plunger mechanically moves the control spool which allows the pump to go on stroke.

The MOR should be engaged anticipating a full stroke response from the pump.

Warning

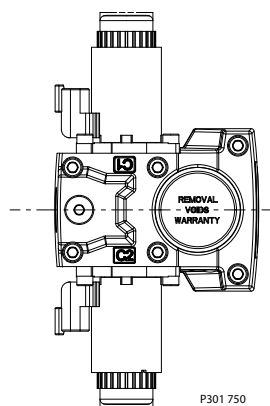
An o-ring seal is used to seal the MOR plunger where initial actuation of the function will require a force of 45 N to engage the plunger. Additional actuations typically require less force to engage the MOR plunger. Proportional control of the pump using the MOR should not be expected.

Refer to control flow table for the relationship of solenoid to direction of flow.

Control Options

Swash Plate Angle Sensor for AC2 controls

The angle sensor detects the swash plate angle position and direction of rotation from the zero position. The swash angle sensor works on the AMR sensing technology. Under the saturated magnetic field, the resistance of the element varies with the magnetic field direction. The output signal give a linear output voltage for the various magnet positions in the sensing range.



Swash Plate Angle Sensor Parameters

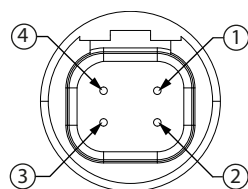
| Parameter | Minimum | Typical | Maximum |
|---|-------------|-------------|-------------|
| Supply voltage range | 4.75 V | 5 V | 5.25 V |
| Supply protection | – | – | 28 V |
| Supply current | – | 22 mA | 25 mA |
| Output current (Signal 1, 2) | – | 0.1 mA | – |
| Short circuit output current to supply or GND ¹⁾ | – | – | 7.5 mA |
| Sensitivity | 70.0 mV/deg | 78.0 mV/deg | 85.8 mV/deg |
| Working range (swashplate angle) | –18°C | 0°C | 18°C |
| Correlation between signals 1 and 2 ²⁾ | 475 mV | 500 mV | 525 mV |

¹⁾ Up to duration of 2.5 seconds at 25°C

²⁾ Signal 1 (nominal) is lower than signal 2 (redundant)

Swash plate angle sensor connector

Pin assignment



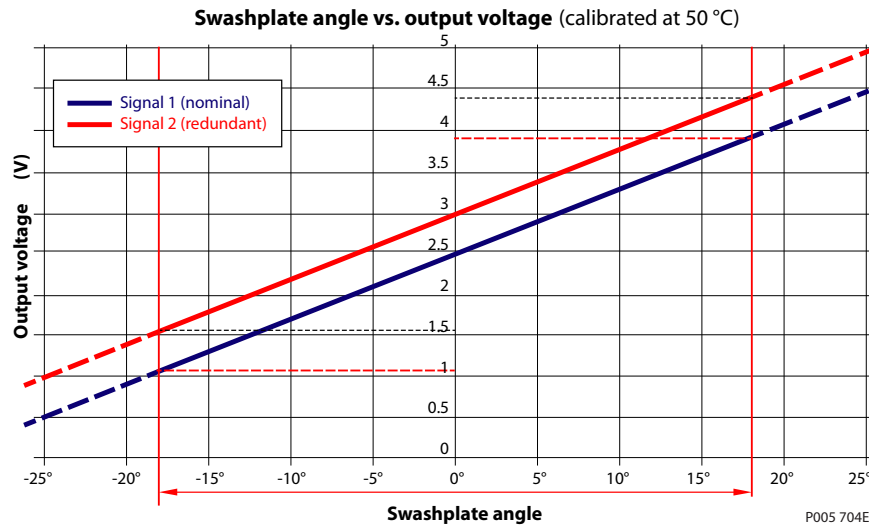
1. Ground (GND)
2. Output Signal 2 (SIG2) – Secondary (redundant)
3. Output Signal 1 (SIG1) – Primary (nominal)
4. Supply (V+)

Swash angle sensor connector order numbers

| Description | Quantity | Ordering number |
|--|----------|-----------------|
| Mating connector DEUTSCH DTM06-4S-E004 | 1 | 11105824 |
| Wedge lock DEUTSCH W4S | 1 | 11084558 |
| Socket contact (16-18 AWG)DEUTSCH 0462-201-16141 | 2 | K02325 |

Control Options

Swashplate angle versus output voltage graph (calibrated at 50 °C), calculation formula



The volumetric losses depend on:

- Pump size (max displacement)
- Actual displacement
- Speed (rpm)
- Delta pressure
- Viscosity and temperature

The displacement can be calculated by:

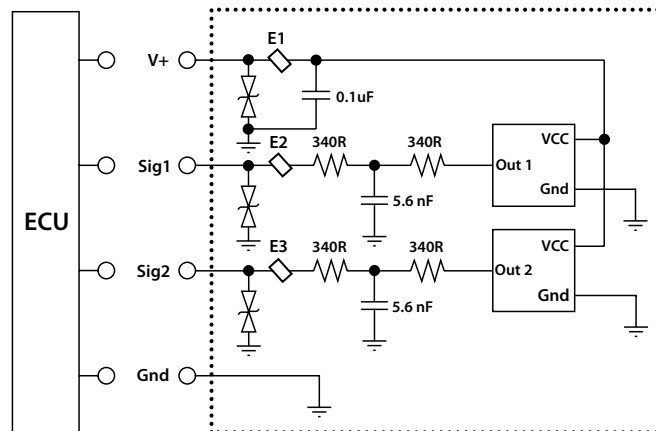
$$V = \frac{\tan \alpha \cdot V}{\tan 18^\circ} \text{ [cc]}$$

The corresponding flow is:

$$Q = \frac{V \cdot n \cdot \eta_{vol}}{1000} \text{ [l/min]}$$

Interface with ECU

Interface with ECU schematic



Minimum recommended load resistance is 100 kΩ.

Control Options

Control-Cut-Off valve (CCO valve)

The H1 pump offers an optional control cut off valve integrated into the control. This valve will block charge pressure to the control, allowing the servo springs to de-stroke both pumps regardless of the pump's primary control input. There is also a hydraulic logic port, X7, which can be used to control other machine functions, such as spring applied pressure release brakes. The pressure at X7 is controlled by the control cut off solenoid. The X7 port would remain plugged if not needed.

In the normal (de-energized) state of the solenoid charge flow is prevented from reaching the controls. At the same time the control passages and the X7 logic port are connected and drained to the pump case. The pump will remain in neutral, or return to neutral, independent of the control input signal. Return to neutral time will be dependent on oil viscosity, pump speed, swashplate angle, and system pressure.

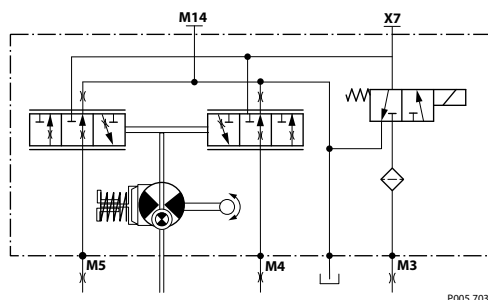
When the solenoid is energized, charge flow and pressure is allowed to reach the pump control. The X7 logic port will also be connected to charge pressure and flow.

The solenoid control is intended to be independent of the primary pump control making the control cut off an override control feature. It is however recommended that the control logic of the CCO valve be maintained such that the primary pump control signal is also disabled whenever the CCO valve is de-energized. Other control logic conditions may also be considered.

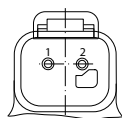
All EDC and MDC controls are available with a CCO valve. The CCO-valve is available with 12 V or 24 V solenoid.

The response time of the unit depends on the control type and the used control orifices.

CCO schematic (MDC shown)



CCO connector



Connector ordering data

| Description | Quantity | Ordering number |
|--------------------------------|----------|------------------------|
| Mating connector | 1 | DEUTSCH DT06-2S |
| Wedge lock | 1 | DEUTSCH W2S |
| Socket contact (16 and 18 AWG) | 2 | DEUTSCH 0462-201-16141 |

CCO solenoid data

| Nominal supply voltage | | 12 V | 24 V |
|---------------------------------|---------|--------|--------|
| Supply voltage | Maximum | 14.6 V | 29 V |
| | Minimum | 9.5 V | 19 V |
| Nominal coil resistance at 20°C | | 10.7 Ω | 41.7 Ω |

Control Options

| Nominal supply voltage | | 12 V | 24 V |
|--------------------------------------|-----------|------------------------------------|-----------|
| Supply current | Maximum | 850 mA | 430 mA |
| | Minimum | 580 mA | 300 mA |
| PWM frequency | Range | 50-200 Hz | 50-200 Hz |
| | Preferred | 100 Hz | 100 Hz |
| Electrical protection class | | IP67 / IP69K with mating connector | |
| Bi-directional diode cut off voltage | | 28 V | 53 V |

Brake gauge port with MDC

 **Caution**

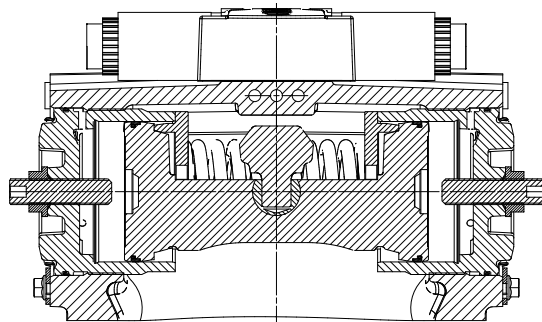
It is not recommended to use brake port for any external flow consumption to avoid malfunction of CCO function.

Control Options

Displacement limiter

H1 pumps are designed with optional mechanical displacement (stroke) limiters factory set to max. displacement. The maximum displacement of the pump can be set independently for forward and reverse using the two adjustment screws to mechanically limit the travel of the servo piston down to 50 % displacement.

Adjustments under operating conditions may cause leakage. The adjustment screw can be completely removed from the threaded bore if backed out to far.



P003 266

Displacement change (approximately) H1P 069/078

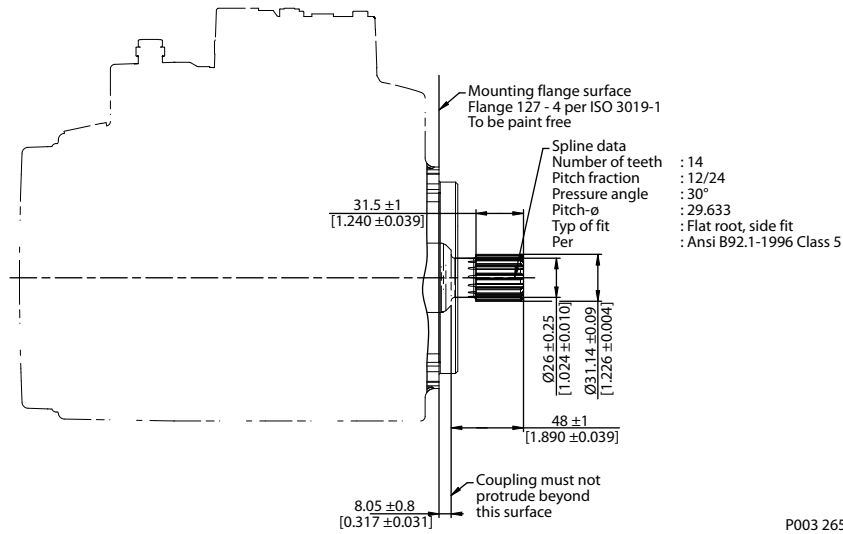
| Parameter | Size 069/078 |
|--|---|
| 1 Turn of displacement limiter screw | 7.4 cm ³ [0.45 in ³] |
| Internal wrench size | 4 mm |
| External wrench size | 13 mm |
| Torque for external hex seal lock nut | 24 N•m [212 lbf•in] |

For more information, see *H1 Axial Piston Pumps, Service Manual*, **AX00000087**, the section "Displacement Limiter Adjustment".

Dimensions

H1P input shaft - Option G1 (SAE C, 14 teeth)

Option G1, ISO 3019-1, outer dia 32 mm-4 (SAE C, 14 teeth)



Specifications

| | | |
|---|-----------------------|-----------------------|
| Option | G1 | |
| Spline | 14 teeth, 12/24 pitch | |
| Min. active spline length¹⁾ | 31.45 mm [1.238 in] | |
| Torque rating²⁾ | Rated | 534 N·m [4720 lbf·in] |
| | Maximum | 816 N·m [7220 lbf·in] |

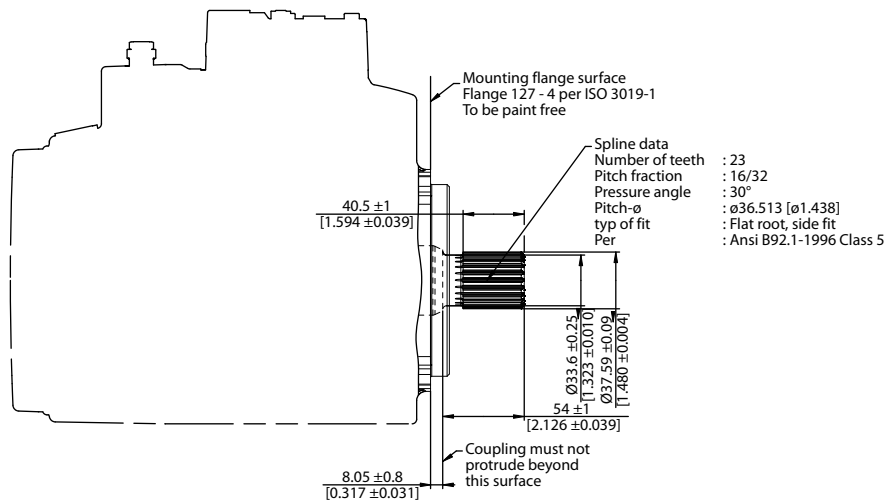
¹⁾ Minimum active spline length for the specified torque ratings.

²⁾ For definitions of maximum and rated torque values, refer to *Basic Information 11062168*, section Shaft Torque Ratings and Spline Lubrication.

Dimensions

H1P input shaft - Option G9 (SAE C-C, 23 teeth)

Option G9, ISO 3019-1, outer dia 38 mm-4 (SAE C-C, 23 teeth)



P003 264E

Specifications

| Option | G9 | |
|---|-----------------------|--------------------------|
| Spline | 23 teeth, 16/32 pitch | |
| Min. active spline length ¹⁾ | 40.33 mm [1.588 in] | |
| Torque rating ²⁾ | Rated | 999 N·m [8840 lbf·in] |
| | Maximum | 1818 N·m [16 090 lbf·in] |

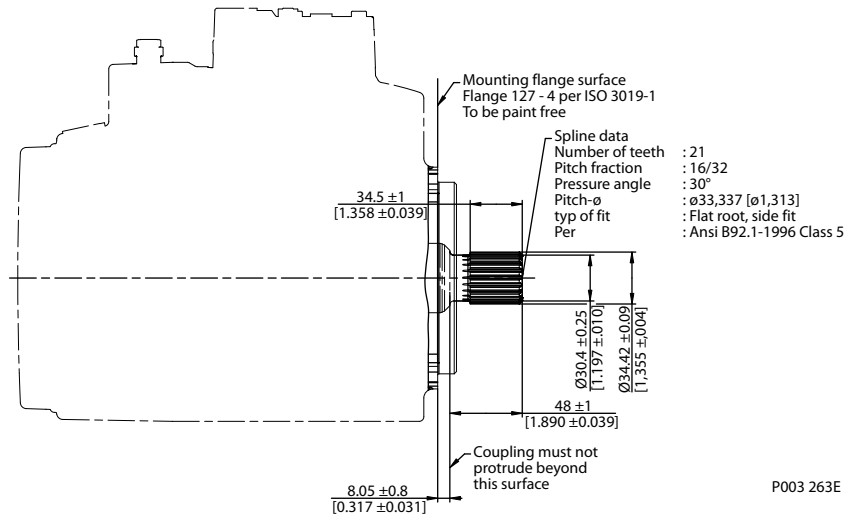
¹⁾ Minimum active spline length for the specified torque ratings.

²⁾ For definitions of maximum and rated torque values, refer to *Basic Information 11062168*, section Shaft Torque Ratings and Spline Lubrication.

Dimensions

H1P input shaft - Option F1 (SAE C, 21 teeth)

Option F1, ISO 3019-1, outer dia 35 mm-4 (SAE C, 21 teeth)



Specifications

| Option | F1 | |
|---|-----------------------|--------------------------|
| Spline | 21 teeth, 16/32 pitch | |
| Min. active spline length ¹⁾ | 34.5 mm [1.358 in] | |
| Torque rating ²⁾ | Rated | 760 N·m [6730 lbf·in] |
| | Maximum | 1137 N·m [10 060 lbf·in] |

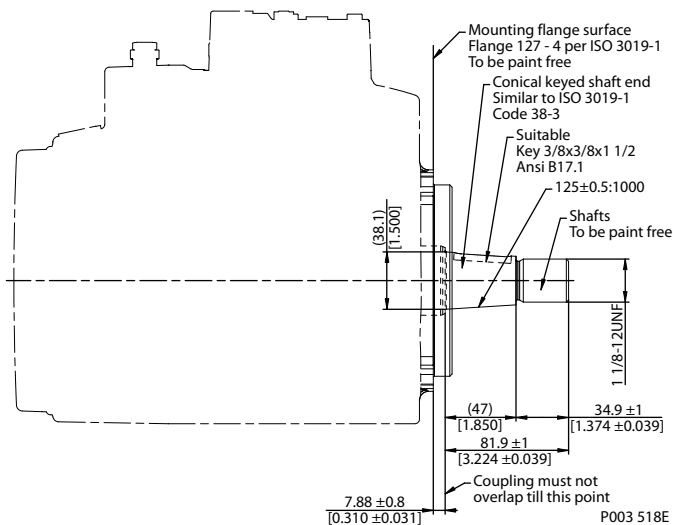
¹⁾ Minimum active spline length for the specified torque ratings.

²⁾ For definitions of maximum and rated torque values, refer to *Basic Information 11062168*, section Shaft Torque Ratings and Spline Lubrication.

Dimensions

H1P input shaft, option F4, Code 38-3

Option F4, ISO 3019-1, Code 38-3, Diameter 38.1 taper 1:8, without key and no through-hole in the end of the shaft



Specifications

| Option | F4 | |
|-----------------------------|------------------------|--------------------------|
| Tapered shaft ¹⁾ | 38.1 taper without key | |
| Torque rating ²⁾ | Rated ³⁾ | 1116 N·m [9880 lbf·in] |
| | Maximum | 1488 N·m [13 170 lbf·in] |

¹⁾ Mating part must maintain a minimum gap width of 1.0 mm with the shaft shoulder after installation of the part. Transmittable torque will be reduced if the minimum gap requirement is not met.

²⁾ For definitions of maximum and rated torque values, refer to *Basic Information 11062168*, section Shaft Torque Ratings and Spline Lubrication.

³⁾ Rated torque includes just the capability of the press-fit in accordance with an assumed fastener grade 5.

Tapered shaft customer acknowledgement

The Danfoss H1 tapered shaft has been designed using the industry standard ISO 3019-1, minus the through-hole in the end of the shaft. Danfoss recommends a self-locking nut instead of a castle nut and pin. The nut and mating square-cut key are customer supplied. The specified torque rating of the tapered shaft is based on the cross-sectional diameter of the shaft, through the keyway, and assumes the proper clamp and fit between shaft and coupling.

Danfoss guarantees the design and manufactured quality of the tapered shaft. The customer is responsible for the design and manufactured quality of the mating female coupling and key and applied torque on the nut. Danfoss has made provisions for the key in accordance to the ISO specification with the understanding that the key is solely to assist in the installation of the mating coupling.

⚠ Caution

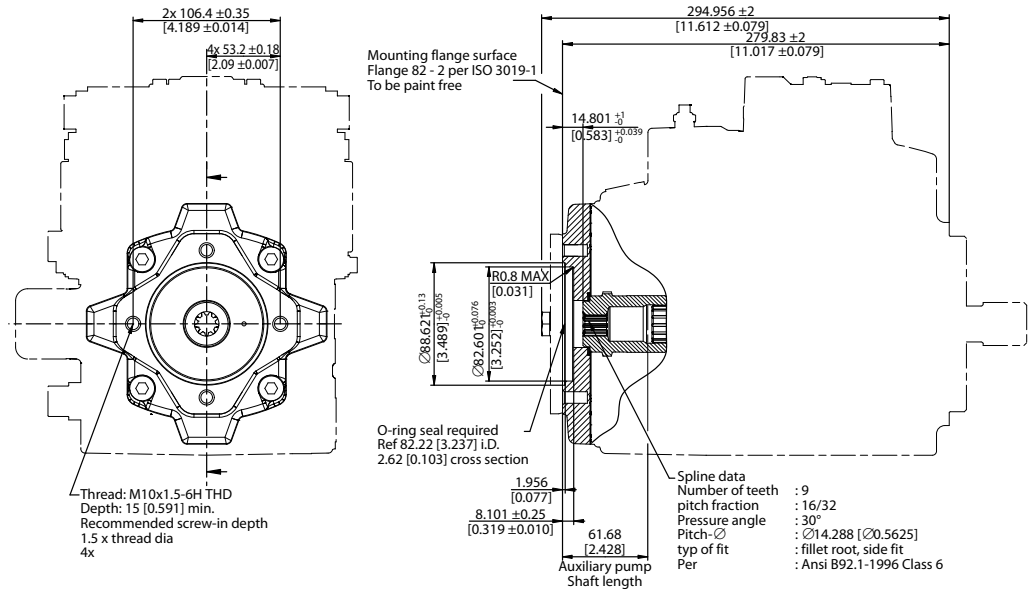
Possible hazard because torque or loading inadvertently transmitted by the customer supplied key may lead to premature shaft failure.

Torque must be transmitted by the taper fit between the shaft and it's mating coupling, not the key.

Dimensions

H1P Auxiliary mounting, option H2 (SAE A, 9 teeth)

Option H2, ISO 3019-1, flange 82-2 (SAE A, 9 teeth)



P003 262E

Specifications

| Option | H2 |
|------------------------------|-----------------------|
| Spline | 9 teeth, 16/32 pitch |
| Maximum torque ¹⁾ | 162 N·m [1430 lbf·in] |

¹⁾ For definitions of maximum and rated torque values, refer to *Basic Information 11062168*, section Shaft Torque Ratings and Spline Lubrication.

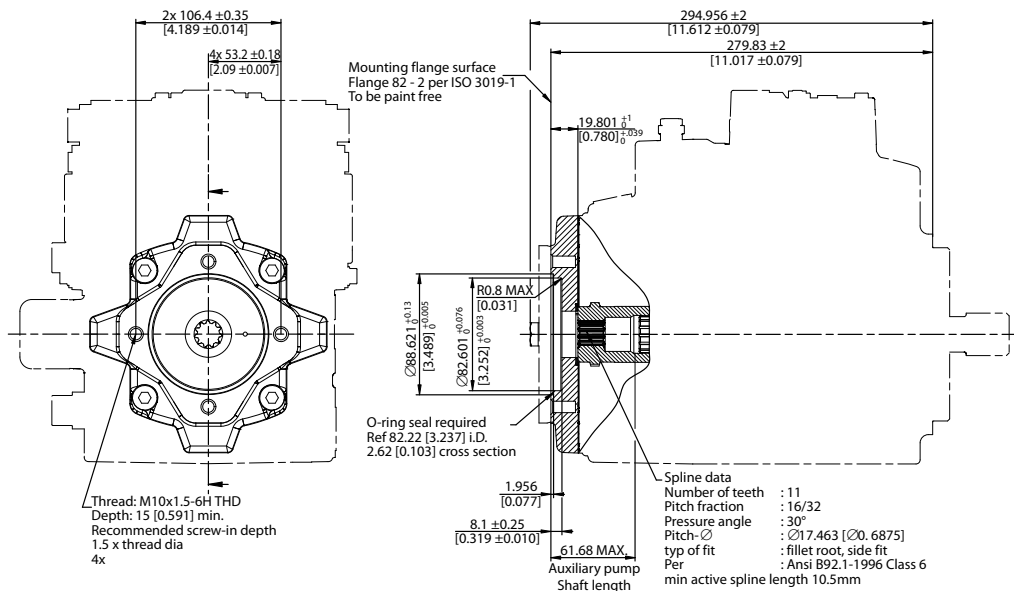
! Caution

Standard pad cover is installed only to retain coupling during shipping. Do not operate pump without an auxiliary pump or running cover installed.

Dimensions

H1P Auxiliary mounting, option H1 (SAE A, 11 teeth)

Option H1, ISO 3019-1, flange 82-2 (SAE A, 11 teeth)



P003 321E

Specifications

| Option | H1 |
|------------------------------|-----------------------|
| Spline | 11 teeth, 16/32 pitch |
| Maximum torque ¹⁾ | 296 N·m [2620 lbf·in] |

¹⁾ For definitions of maximum and rated torque values, refer to *Basic Information 11062168*, section Shaft Torque Ratings and Spline Lubrication.

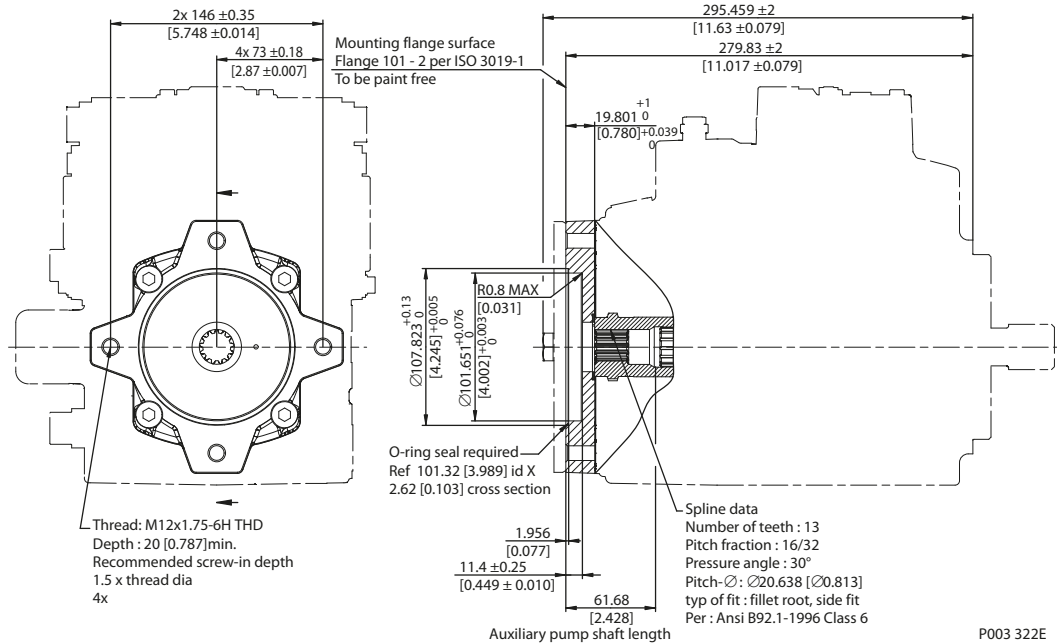
⚠ Caution

Standard pad cover is installed only to retain coupling during shipping. Do not operate pump without an auxiliary pump or running cover installed.

Dimensions

H1P Auxiliary mounting, option H3 (SAE B, 13 teeth)

Option H3, ISO 3019-1, flange 101-2 (SAE B, 13 teeth)



Specifications

| | |
|------------------------------------|-----------------------|
| Option | H3 |
| Spline | 13 teeth, 16/32 pitch |
| Maximum torque¹⁾ | 395 N·m [3500 lbf·in] |

¹⁾ For definitions of maximum and rated torque values, refer to *Basic Information 11062168*, section Shaft Torque Ratings and Spline Lubrication.

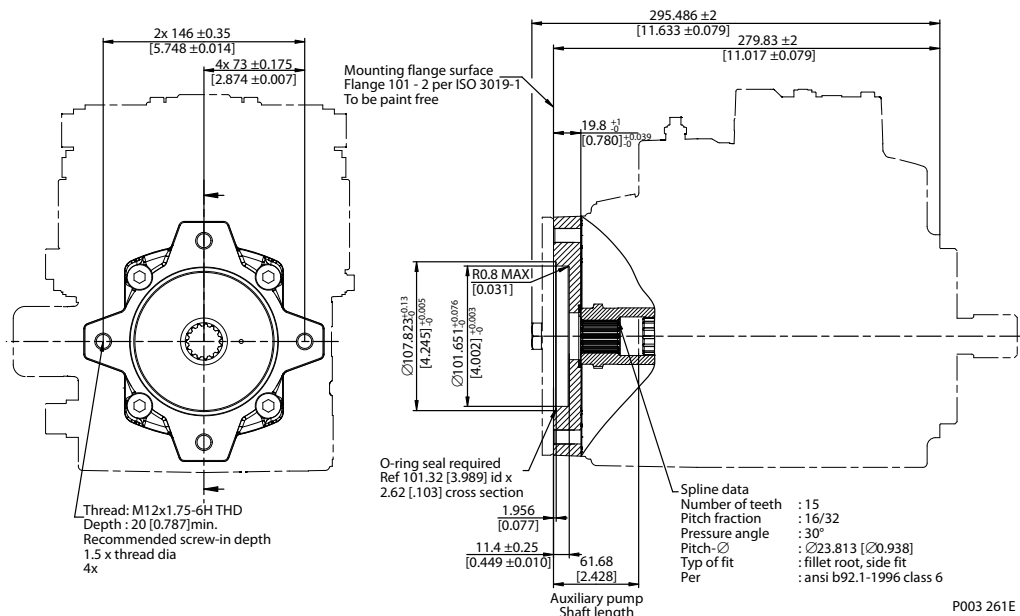
! Caution

Standard pad cover is installed only to retain coupling during shipping. Do not operate pump without an auxiliary pump or running cover installed.

Dimensions

H1P Auxiliary mounting, option H5 (SAE B-B, 15 teeth)

Option H5, ISO 3019-1, flange 101-2 (SAE B-B, 15 teeth)



Specifications

| Option | H5 |
|------------------------------|-----------------------|
| Spline | 15 teeth, 16/32 pitch |
| Maximum torque ¹⁾ | 693 N·m [6130 lbf-in] |

¹⁾ For definitions of maximum and rated torque values, refer to *Basic Information 11062168*, section Shaft Torque Ratings and Spline Lubrication.

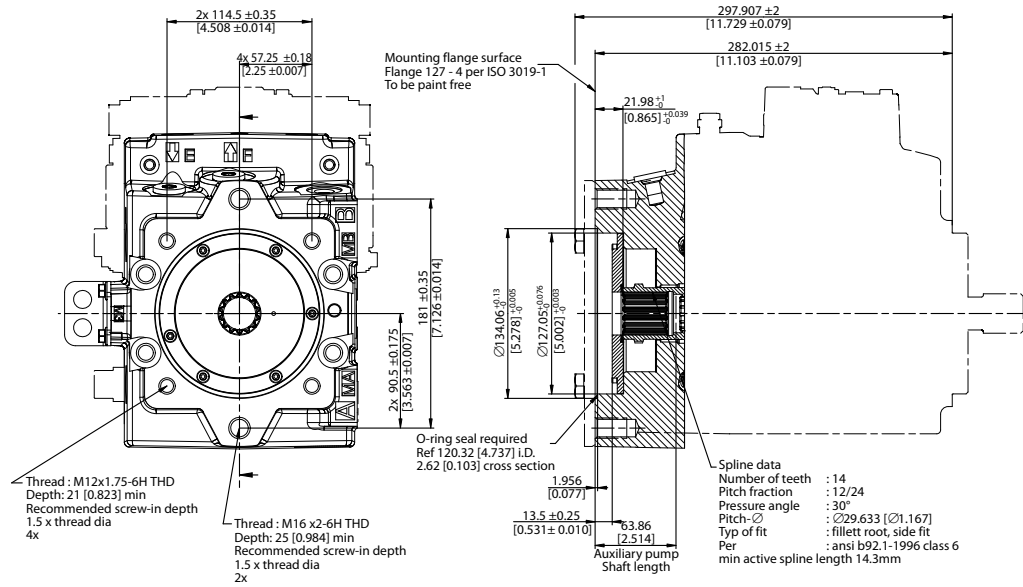
⚠ Caution

Standard pad cover is installed only to retain coupling during shipping. Do not operate pump without an auxiliary pump or running cover installed.

Dimensions

H1P Auxiliary mounting, option H6 (SAE C, 14 teeth)

Option H6, ISO 3019-1, flange 127-4 (SAE C, 14 teeth)



P003 260E

Specifications

| | |
|------------------------------------|-----------------------|
| Option | H6 |
| Spline | 14 teeth, 12/24 pitch |
| Maximum torque¹⁾ | 816 N·m [7220 lbf·in] |

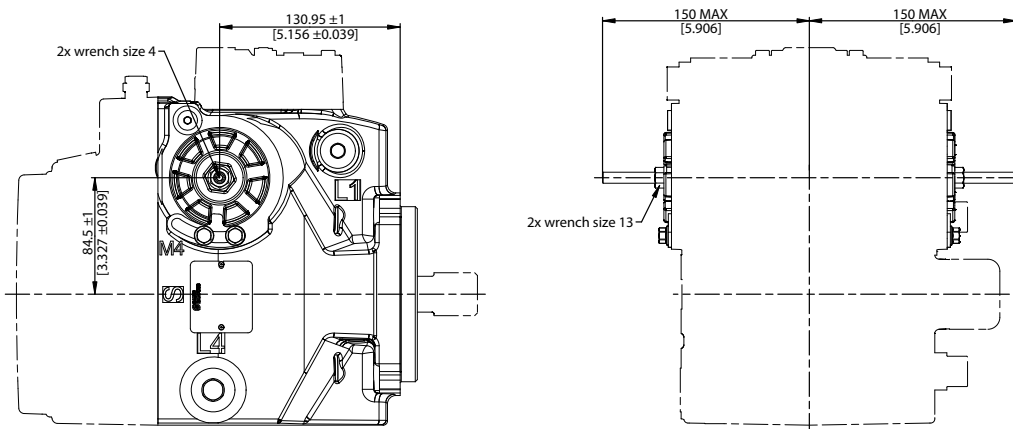
¹⁾ For definitions of maximum and rated torque values, refer to *Basic Information 11062168*, section Shaft Torque Ratings and Spline Lubrication.

! Caution

Standard pad cover is installed only to retain coupling during shipping. Do not operate pump without an auxiliary pump or running cover installed.

Dimensions

H1P 069/078 displacement limiter, option B

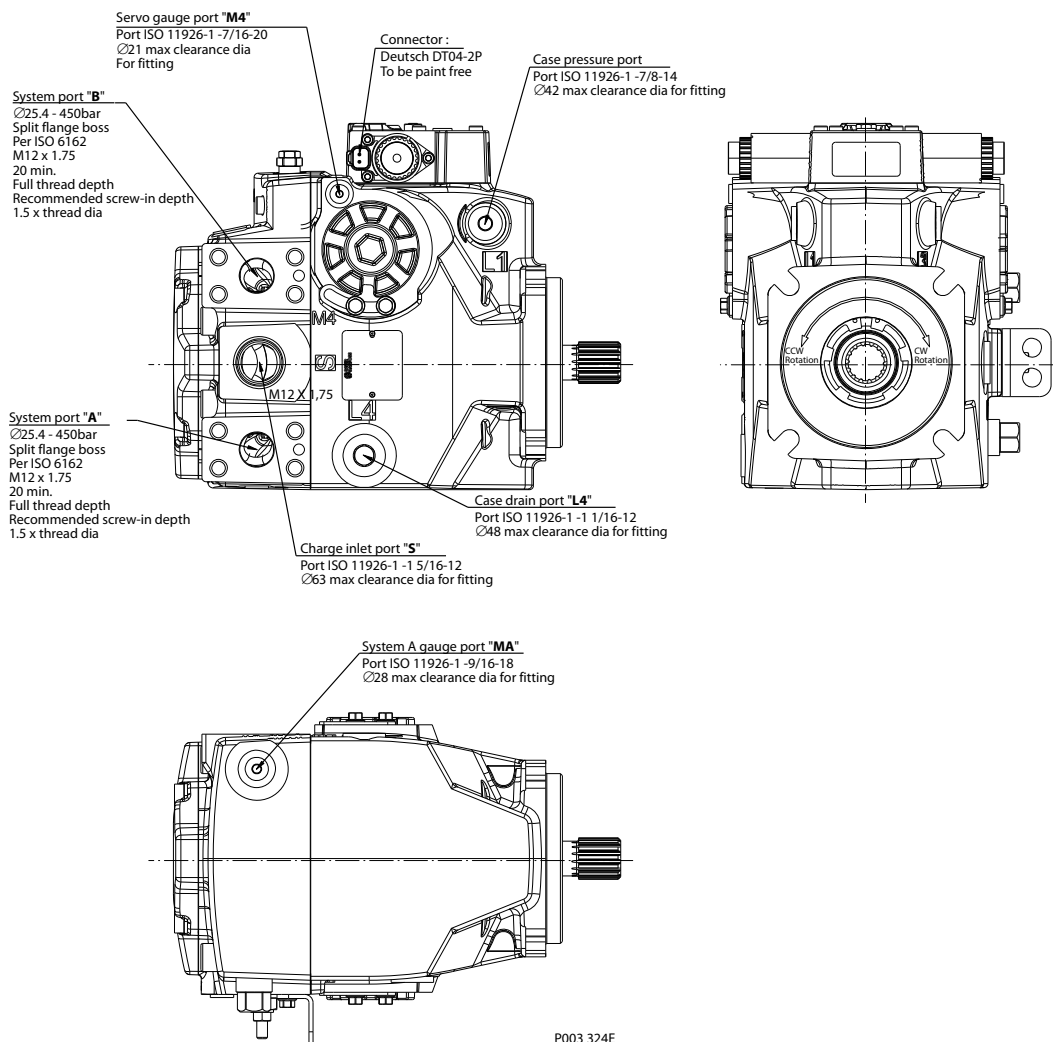


P003 255E

Please contact Danfoss representative for specific installation drawings.

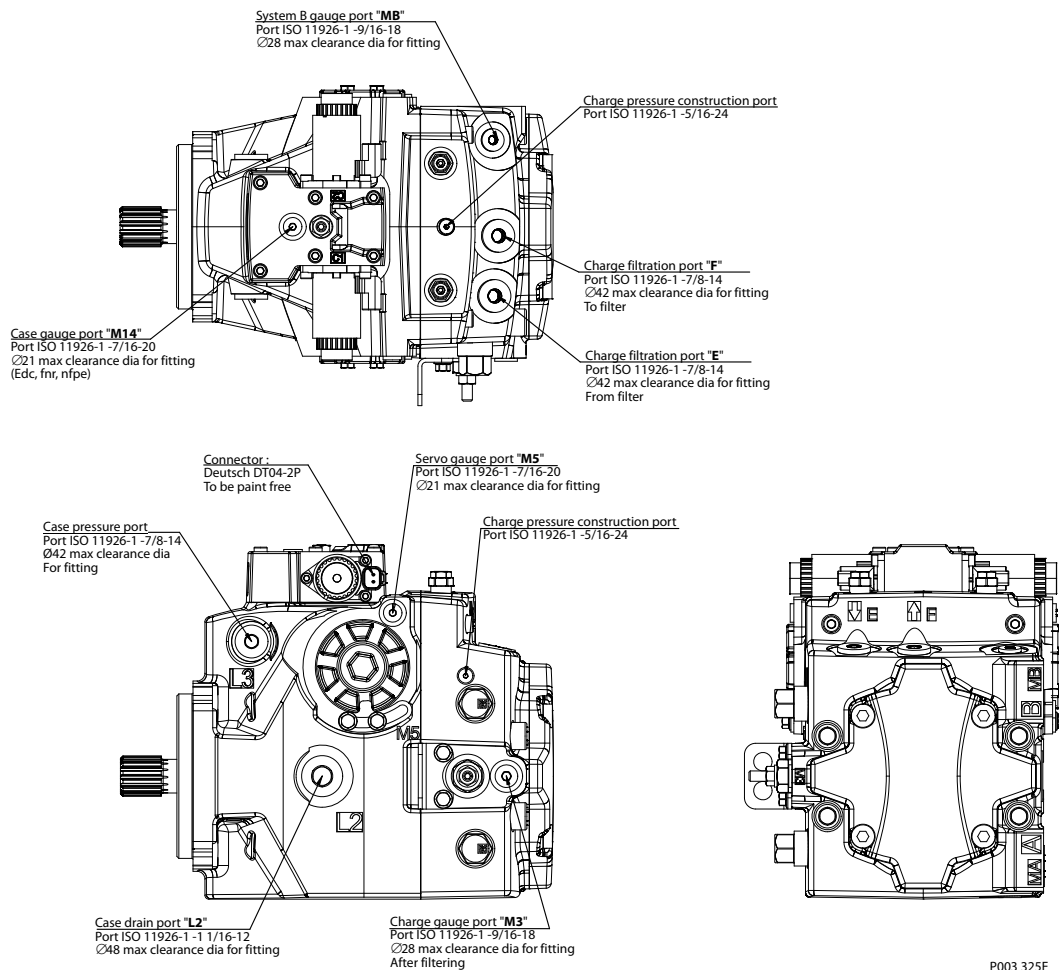
Installation drawings

Ports description H1P 069/078



Please contact Danfoss representative for specific installation drawings.

Installation drawings

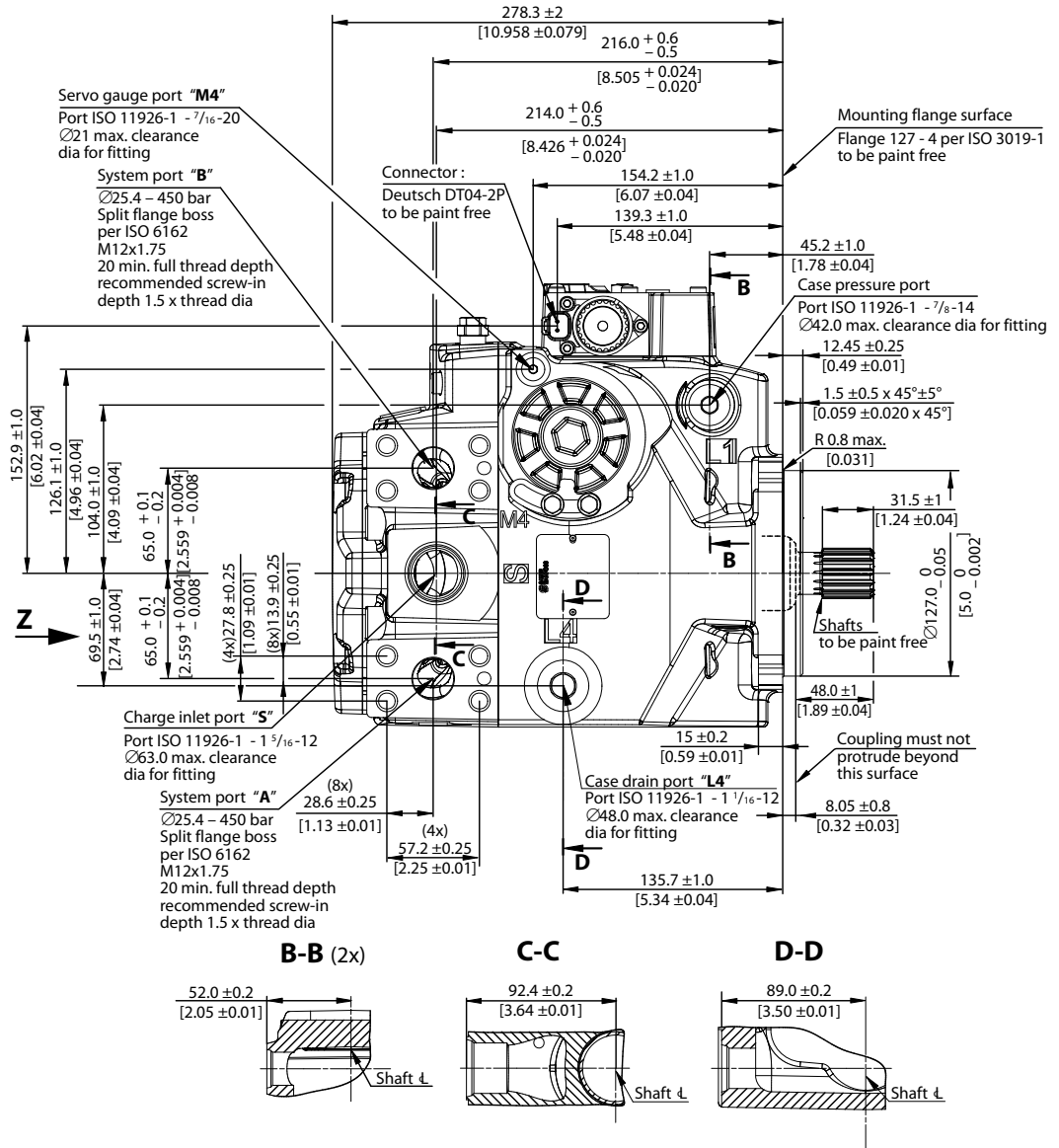


Ports description

| Port | Description | Size |
|---------------|--|-------------|
| A, B | System ports A and B | Ø 25.4 mm |
| E | Charge filtration port, from filter | 7/8 - 14 |
| F | Charge filtration port, to filter | 7/8 - 14 |
| L2, L4 | Case drain ports | 1 1/16 - 12 |
| MA, MB | System A and B gauge ports | 9/16 - 18 |
| M3 | Charge gauge port, after filtering | 9/16 - 18 |
| M4, M5 | Servo gauge ports | 7/16 - 20 |
| M14 | Case gauge port | 7/16 - 20 |
| S | Charge inlet port | 1 5/16 - 12 |

Installation drawings

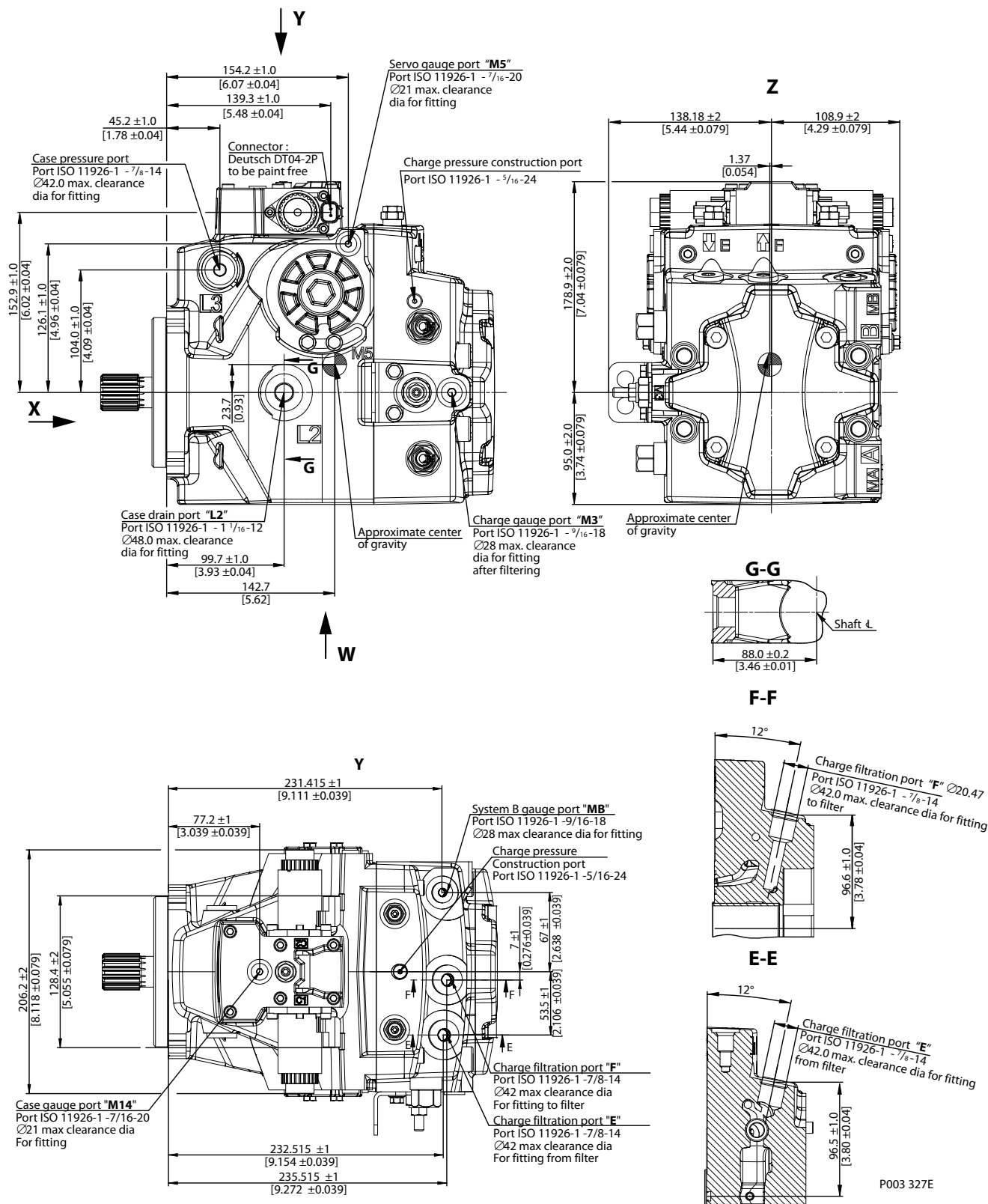
Dimensions H1P 069/078



P003 326E

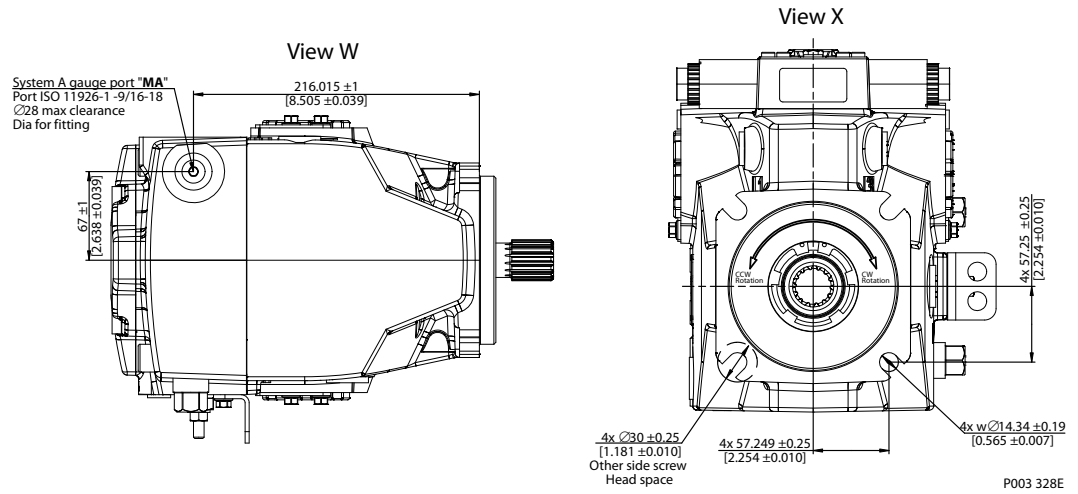
Please contact Danfoss representative for specific installation drawings.

Installation drawings



Please contact Danfoss representative for specific installation drawings.

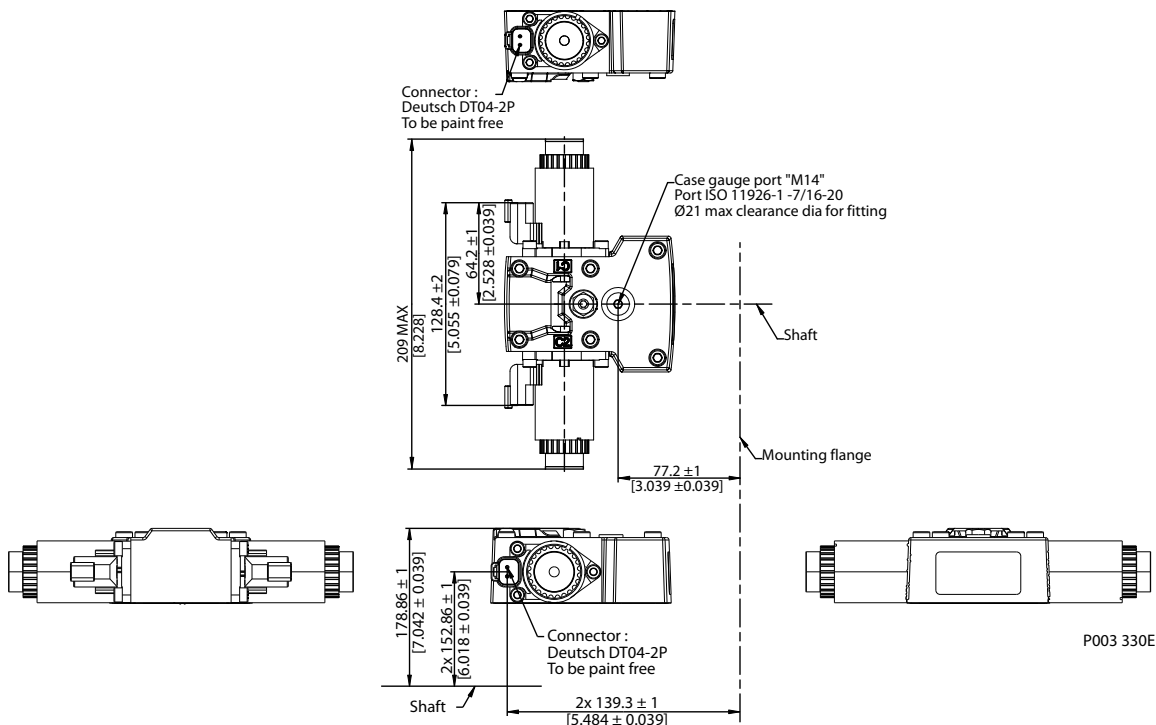
Installation drawings



Please contact Danfoss representative for specific installation drawings.

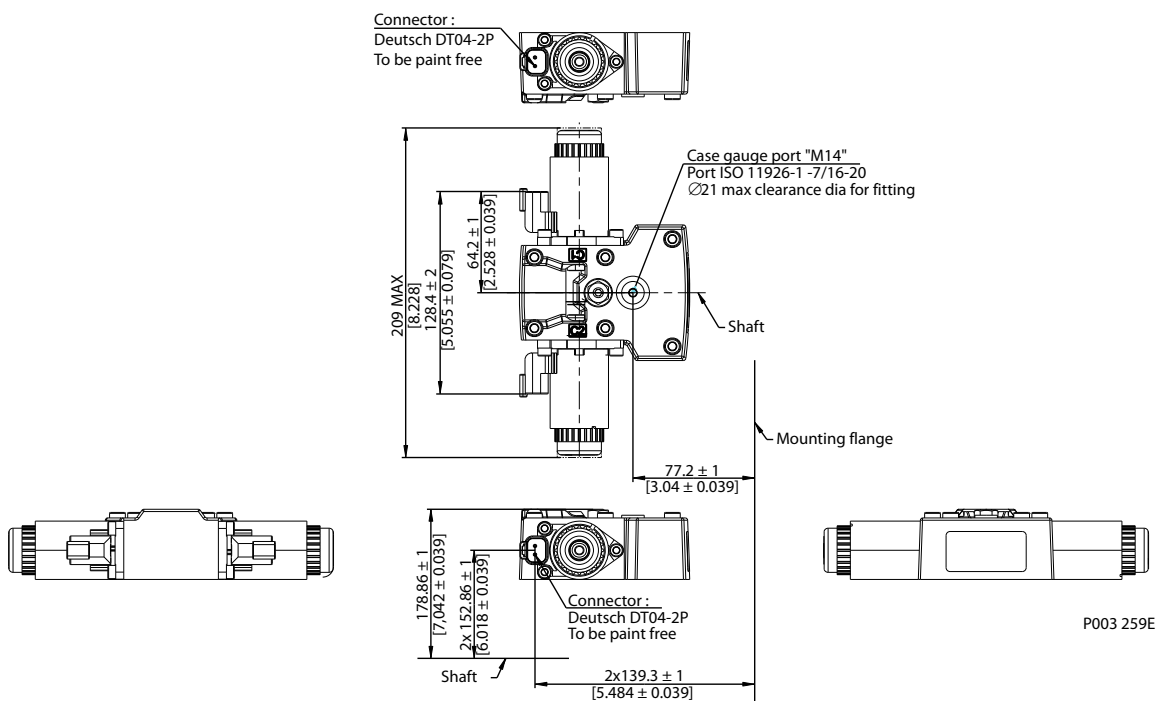
Controls

Electric Displacement Control (EDC), option A2 (12 V)/A3 (24 V)



Please contact Danfoss representative for specific installation drawings.

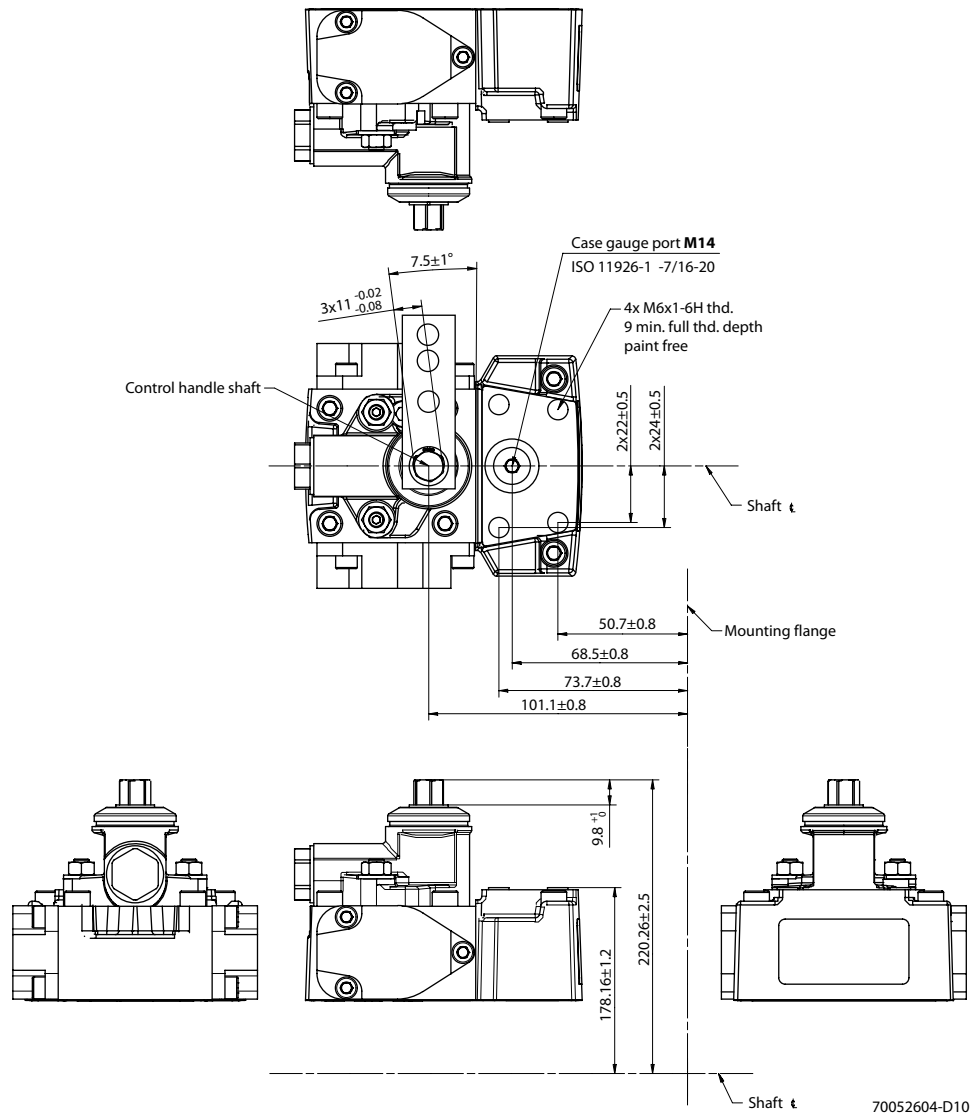
Electric Displacement Control (EDC), with MOR, option A4 (12 V)/A5 (24 V)



Please contact Danfoss representative for specific installation drawings.

Controls

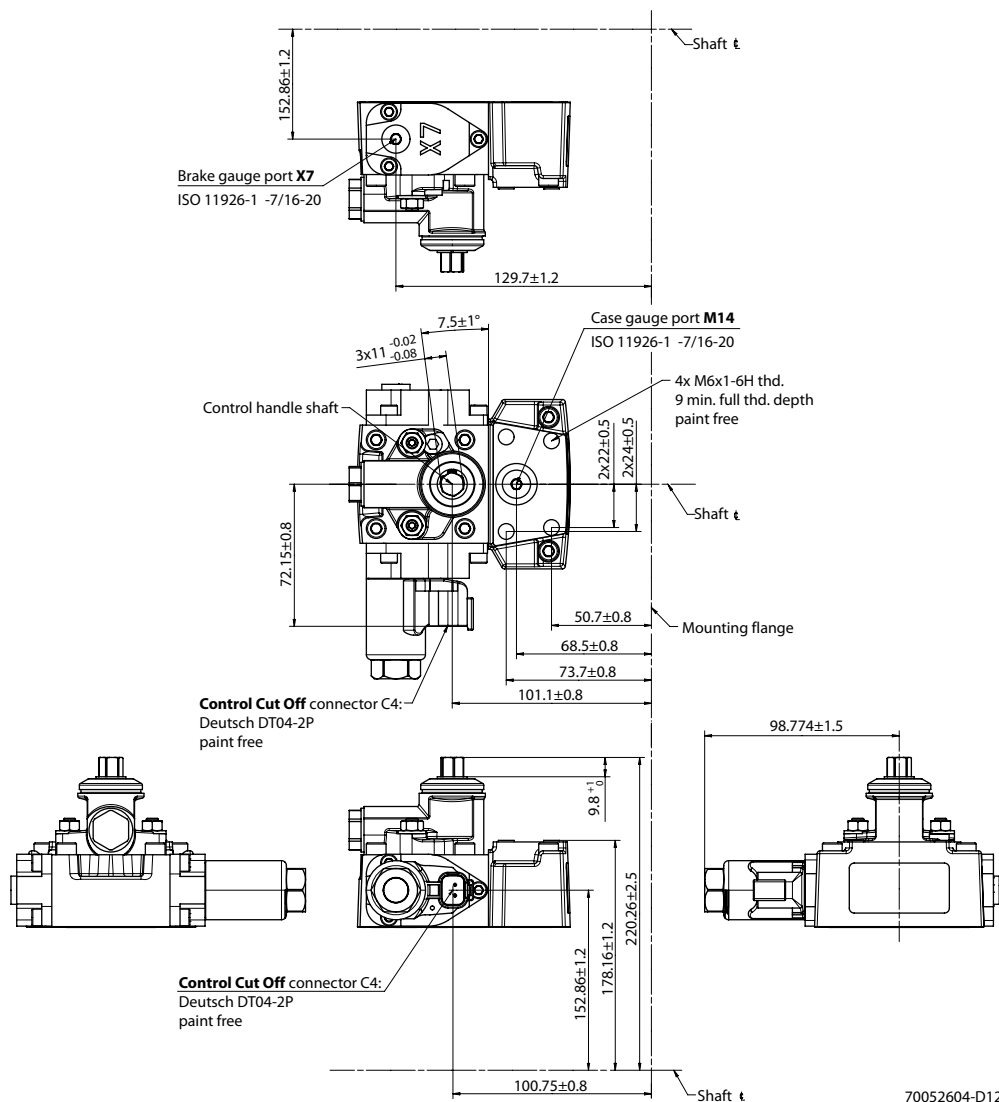
H1P 069/078 Manual Displacement Control (MDC), option M1



Please contact Danfoss representative for specific installation drawings.

Controls

H1P 069/078 Manual Displacement Control (MDC) with CCO, option M3, M4



70052604-D12

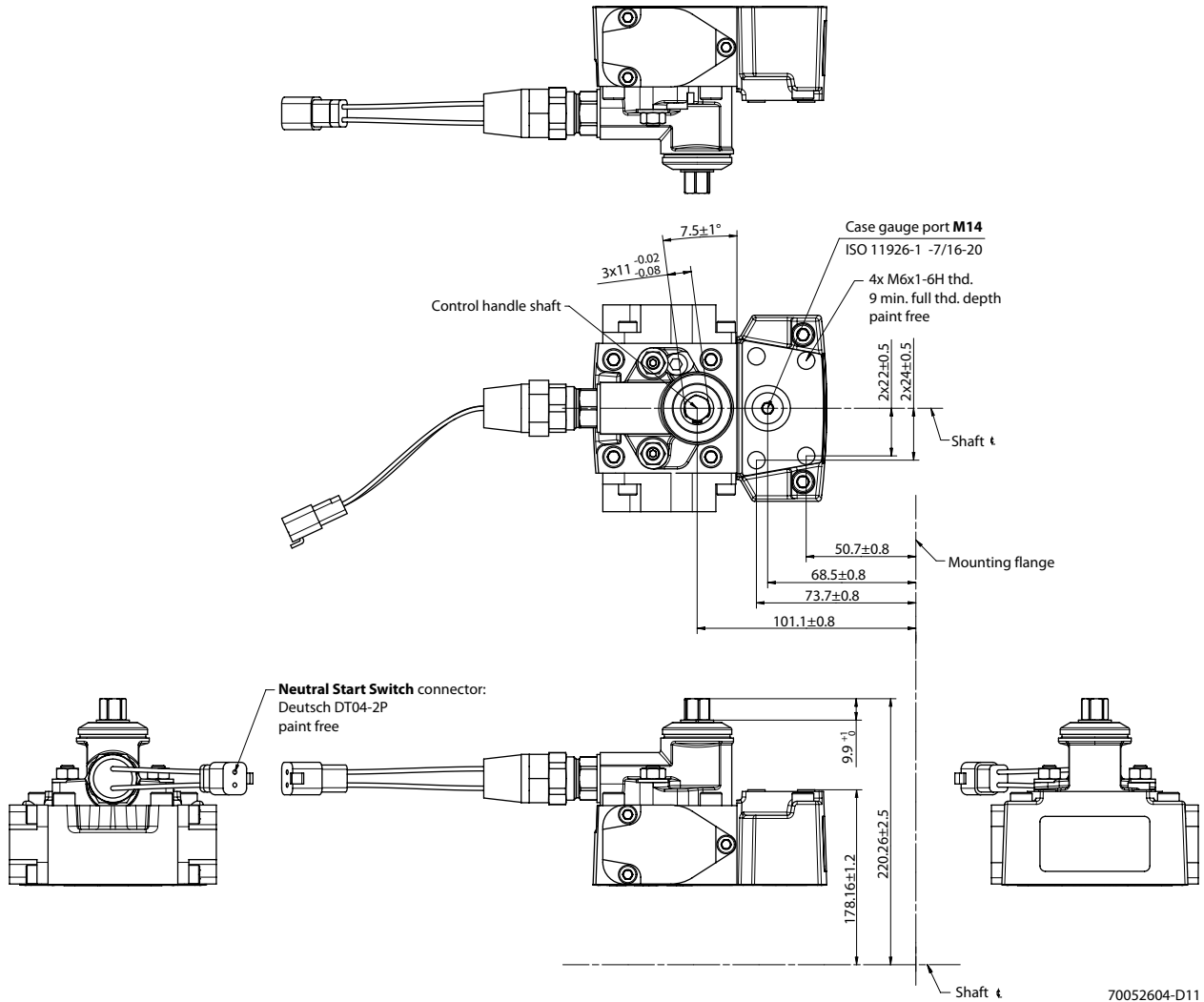
Control Cut Off connector C4:

| Pin | Assignment | | Pin | Assignment |
|-----|------------|----|-----|------------|
| 1 | Supply | OR | 1 | Ground |
| 2 | Ground | | 2 | Supply |

Please contact Danfoss representative for specific installation drawings.

Controls

H1P 069/078 Manual Displacement Control (MDC) with NSS, option M2



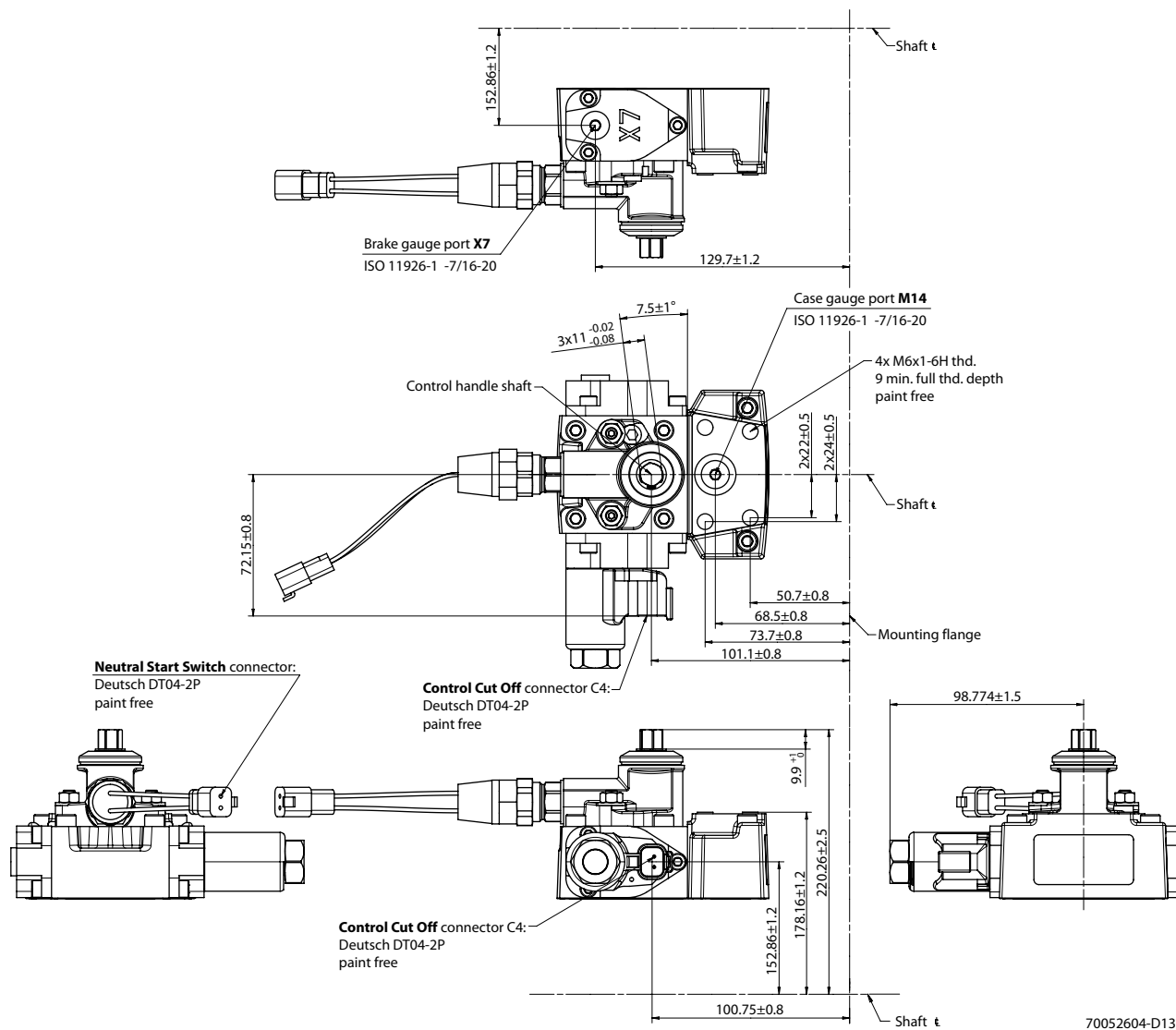
Neutral Start Switch connector:

| Pin | Assignment | | Pin | Assignment |
|-----|------------|----|-----|------------|
| 1 | Supply | OR | 1 | Ground |
| 2 | Ground | | 2 | Supply |

Please contact Danfoss representative for specific installation drawings.

Controls

H1P 069/078 Manual Displacement Control (MDC) with NSS and CCO, option M5, M6



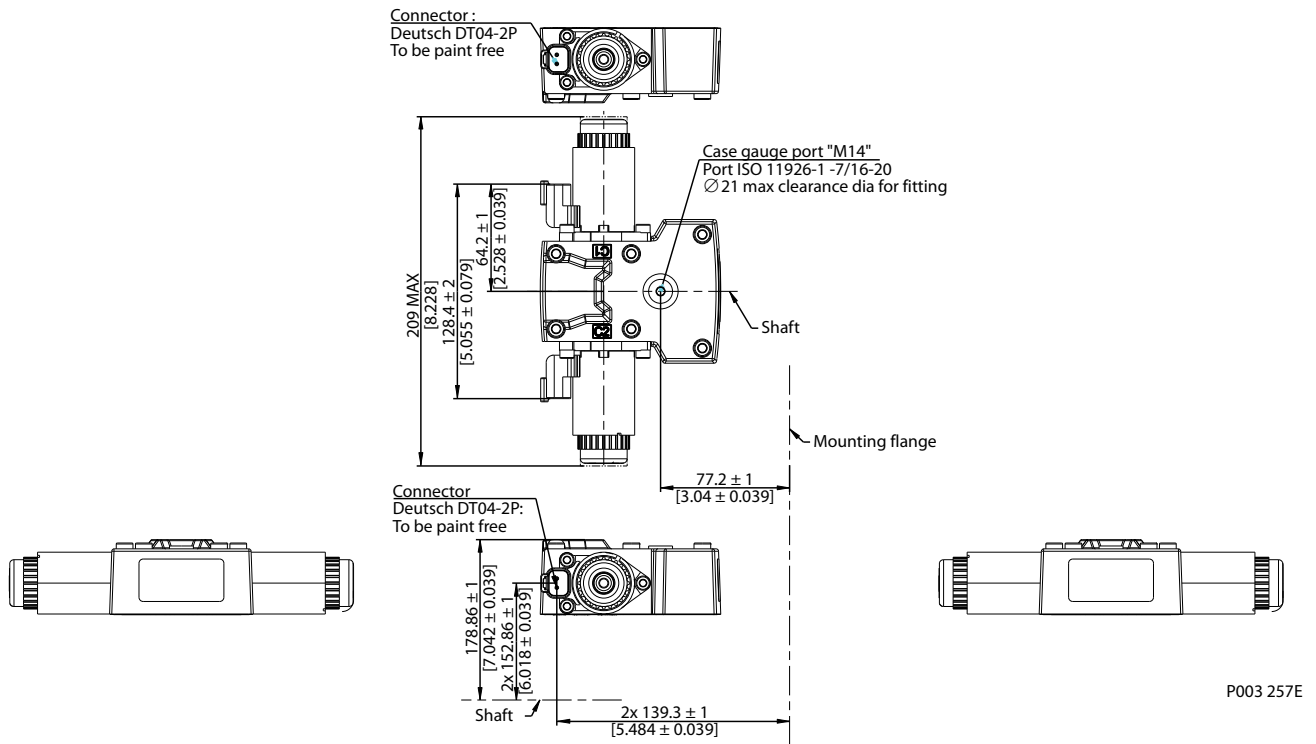
Neutral Start Switch connector / Control Cut Off connector C4:

| Pin | Assignment | | Pin | Assignment |
|-----|------------|----|-----|------------|
| 1 | Supply | OR | 1 | Ground |
| 2 | Ground | | 2 | Supply |

Please contact Danfoss representative for specific installation drawings.

Controls

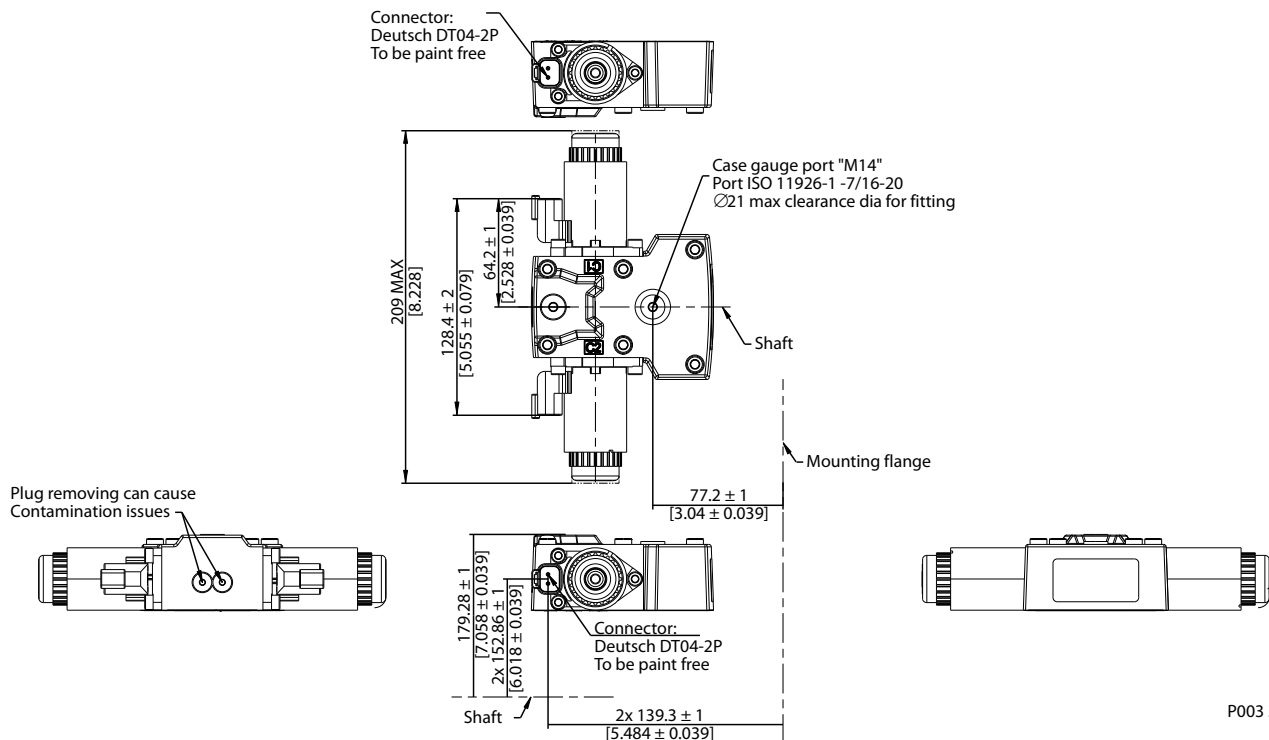
Forward-Neutral-Reverse (FNR) with manual override, option A9 (12 V)/B1 (24 V)



Please contact Danfoss representative for specific installation drawings.

Controls

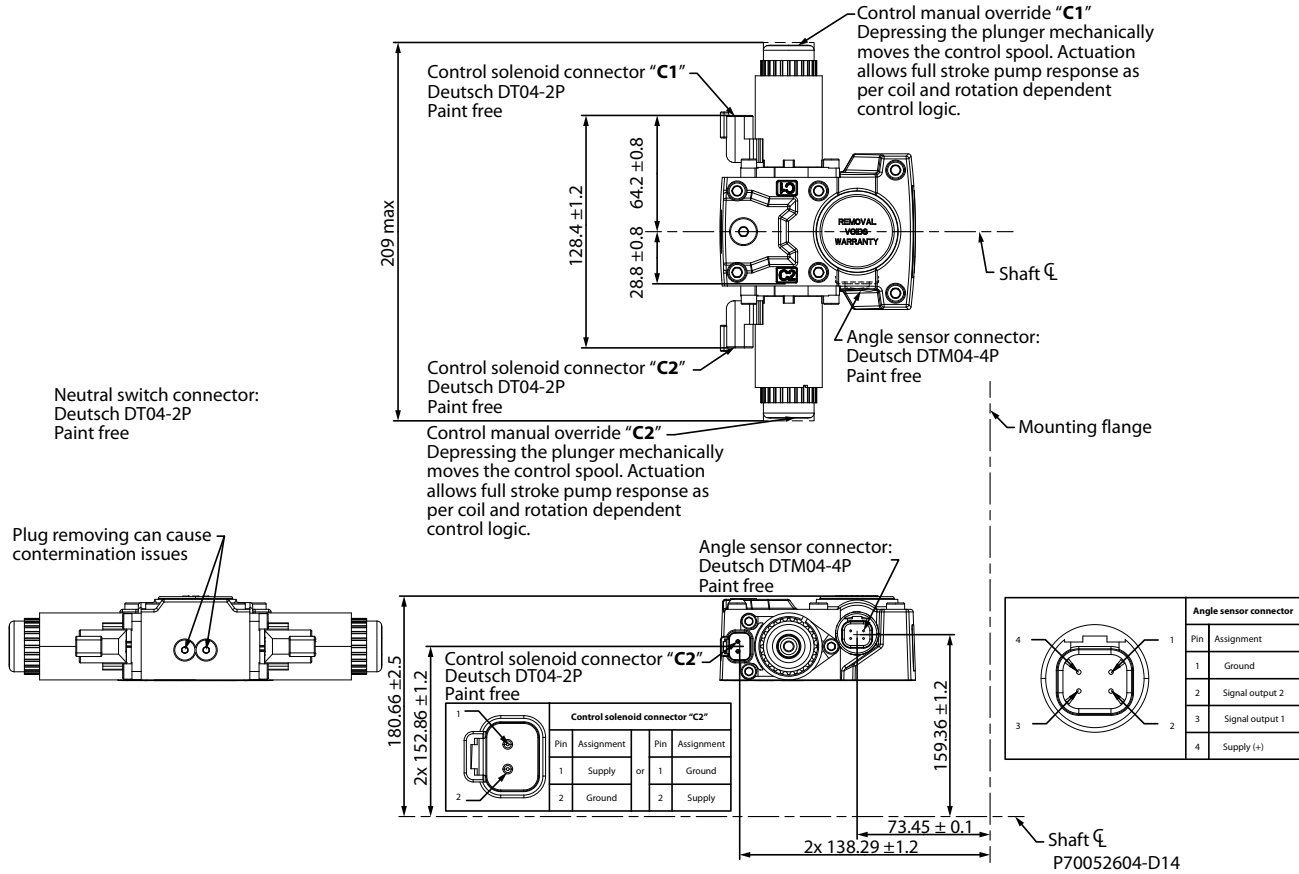
Non Feedback Proportional Electric control (NFPE), with MOR, option A8 (12 V)/B8 (24 V)



Please contact Danfoss representative for specific installation drawings.

Controls

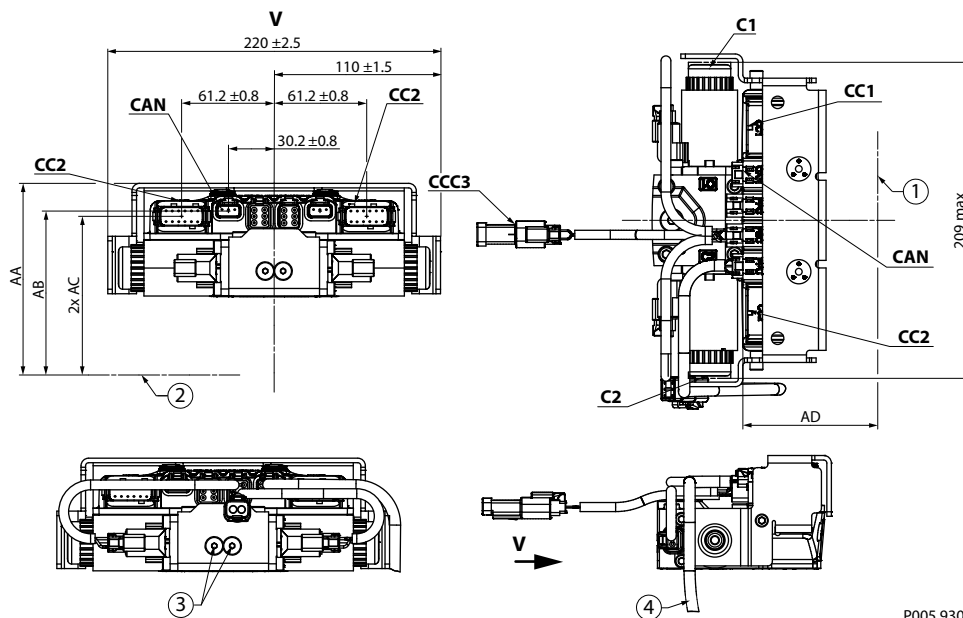
Non Feedback Proportional Electric control (NFPE) with Angle Sensor



Please contact Danfoss representative for specific installation drawings.

Controls

Automotive Control (AC) Dimensions



P005 930

1. Mounting flange
2. Shaft
3. Plug removing can cause contamination issues
4. PPU wire harness is factory installed to speed sensor

Dimensions, (mm)

| Callout | Value |
|---------|---------------|
| AA | 208.9 ±2.5 |
| AB | 190.5 ±1.2 |
| AC | 2x 187.1 ±1.2 |
| AD | 89.2 ±1.2 |

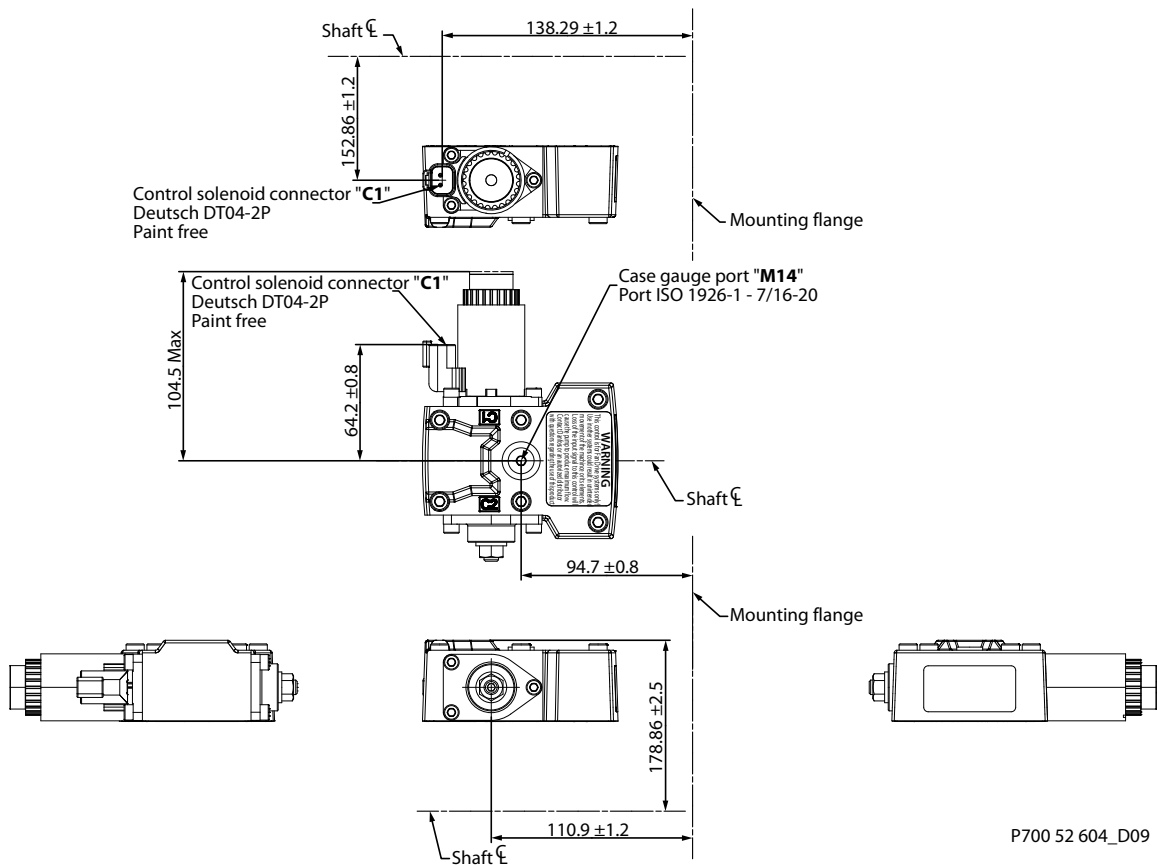
Connectors description

| Port | Description |
|----------|---|
| C1 C2 | Control MOR; Depressing the plunger mechanically moves the control spool. Actuation allows full stroke pump response as per coil and rotation dependent control logic. |
| CC1 | Control connector Deutsch DTM04-12P -A; Paint free |
| CC2 | Control connector Deutsch DTM04-12P -B; Paint free |
| CCC3 | Control connector Deutsch DT06-2S; Paint free; For using connector the plug may be removed. |
| CAN | Control connector Deutsch DTM04-3P; Paint free; For using connector the plug may be removed. |

Please contact Danfoss representative for specific installation drawings.

Controls

Fan Drive Control (FDC), option F1 (12V) / F2 (24V)



P700 52 604_D09

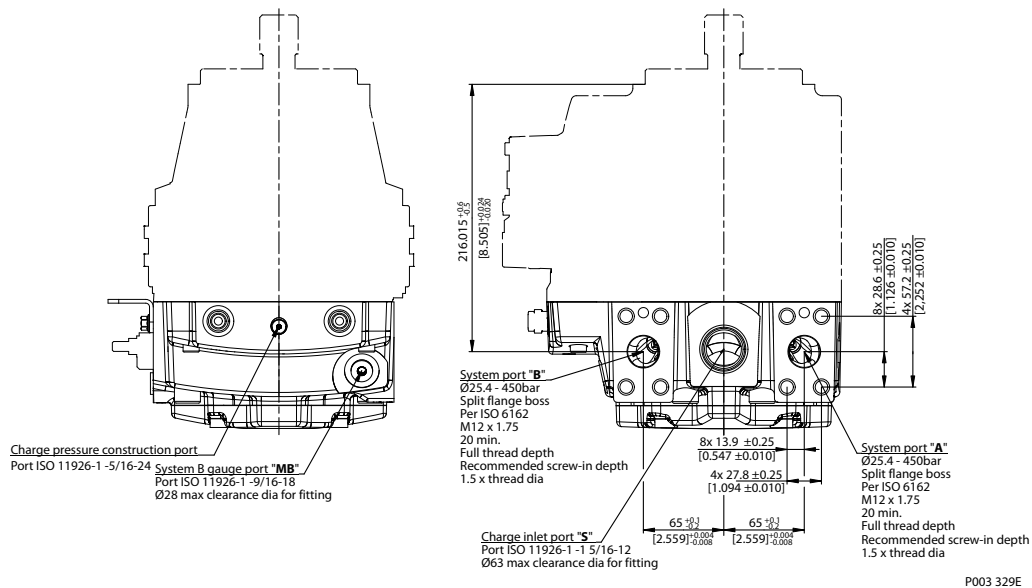
Control solenoid connector C1 and C2:

| Pin | Assignment | Alternative | Pin | Assignment |
|-----|------------|-------------|-----|------------|
| 1 | Supply | OR | 1 | Ground |
| 2 | Ground | | 2 | Supply |

[Please contact Danfoss representative for specific installation drawings.](#)

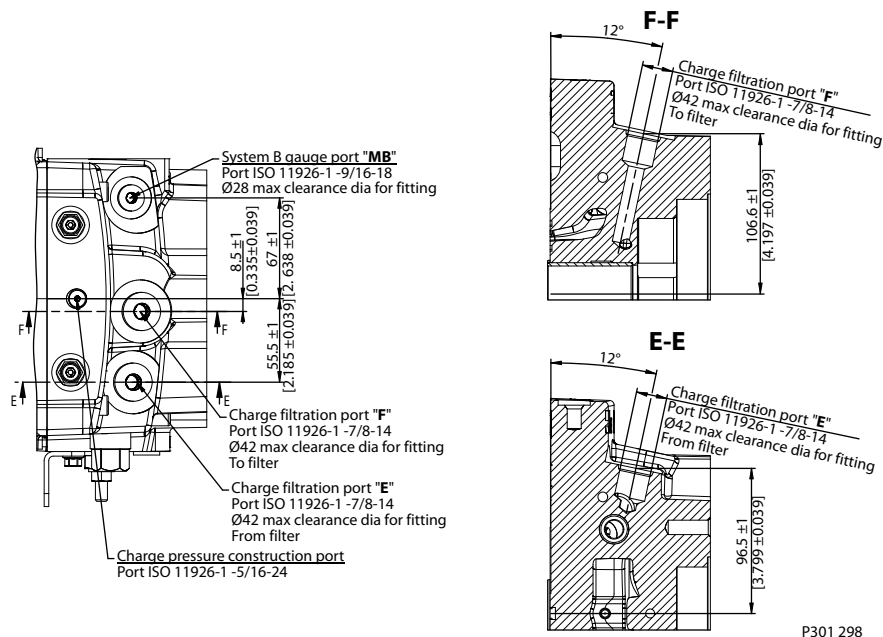
Filtration

H1P 069/078, suction filtration, option L



Please contact Danfoss representative for specific installation drawings.

Remote full charge pressure filtration, option P for end cap option F5 (SAE-C PTO)

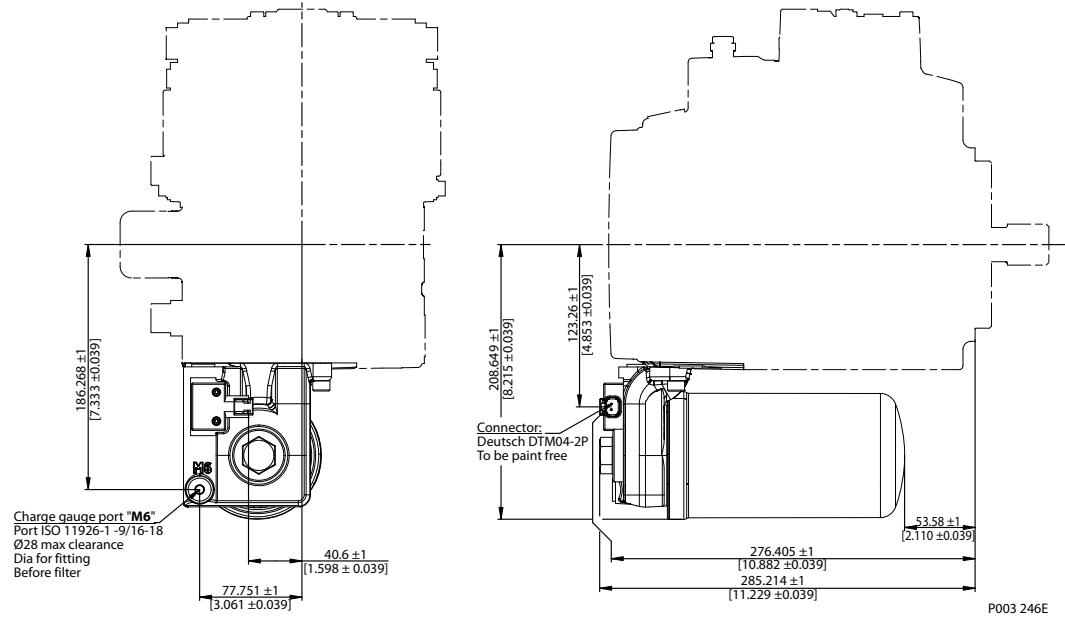


Please contact Danfoss representative for specific installation drawings.

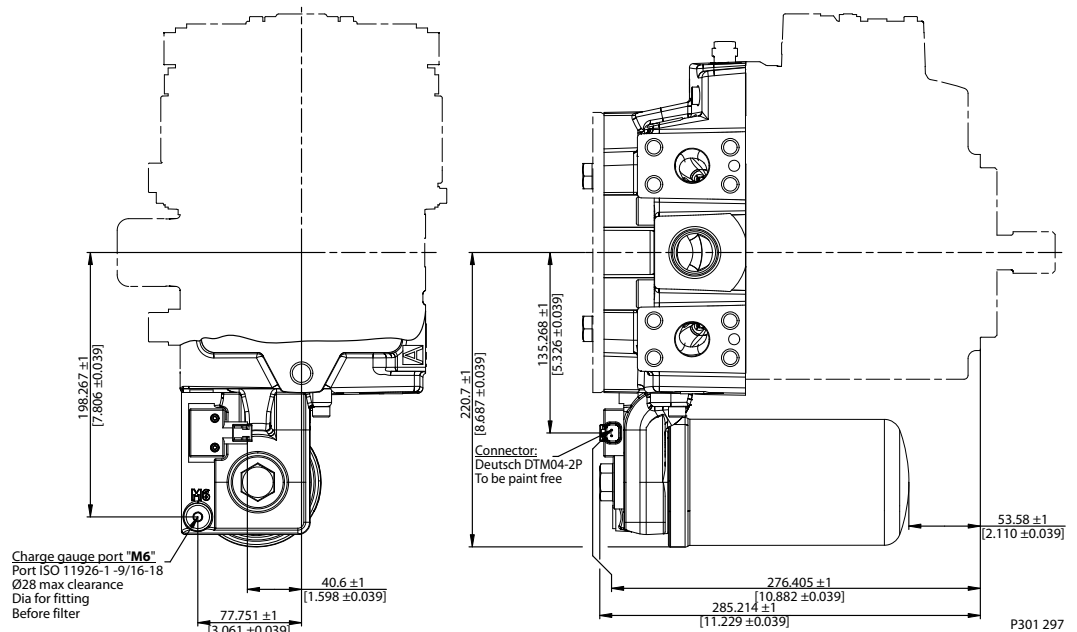
Filtration

Integral full flow charge pressure filtration with filter bypass sensor, option M

Integral full flow charge pressure filtration with filter bypass sensor, option M



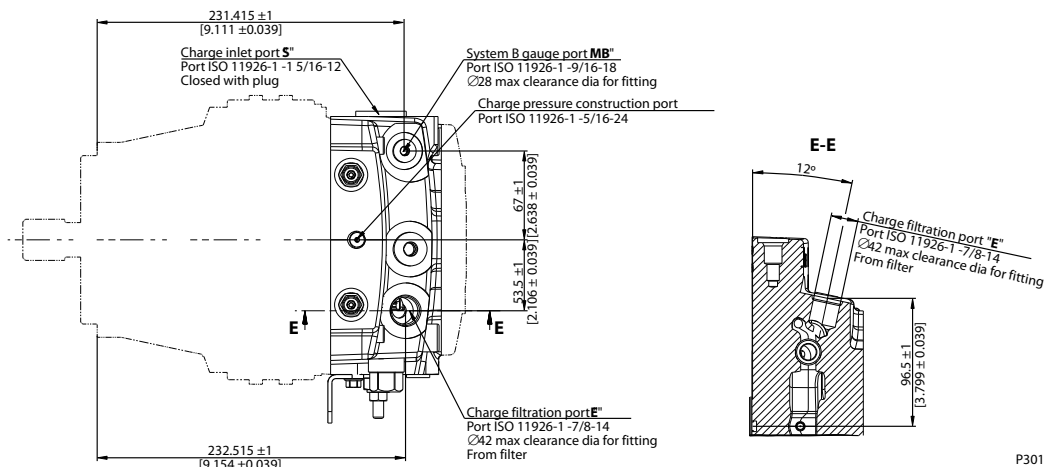
Integral full flow charge pressure filtration with filter bypass sensor, option M, for end cap option F4 (SAE-C PTO)



Please contact Danfoss representative for specific installation drawings.

Filtration

External full flow charge pressure filtration, option S for end cap options D8 or F5



P301 299

Please contact Danfoss representative for specific installation drawings.

Products we offer:

- Bent Axis Motors
- Closed Circuit Axial Piston Pumps and Motors
- Displays
- Electrohydraulic Power Steering
- Electrohydraulics
- Hydraulic Power Steering
- Integrated Systems
- Joysticks and Control Handles
- Microcontrollers and Software
- Open Circuit Axial Piston Pumps
- Orbital Motors
- PLUS+1® GUIDE
- Proportional Valves
- Sensors
- Steering
- Transit Mixer Drives

Danfoss Power Solutions is a global manufacturer and supplier of high-quality hydraulic and electronic components. We specialize in providing state-of-the-art technology and solutions that excel in the harsh operating conditions of the mobile off-highway market. Building on our extensive applications expertise, we work closely with our customers to ensure exceptional performance for a broad range of off-highway vehicles.

We help OEMs around the world speed up system development, reduce costs and bring vehicles to market faster.

Danfoss – Your Strongest Partner in Mobile Hydraulics.

Go to www.powersolutions.danfoss.com for further product information.

Wherever off-highway vehicles are at work, so is Danfoss. We offer expert worldwide support for our customers, ensuring the best possible solutions for outstanding performance. And with an extensive network of Global Service Partners, we also provide comprehensive global service for all of our components.

Please contact the Danfoss Power Solution representative nearest you.

Comatrol

www.comatrol.com

Turolla

www.turollaocg.com

Hydro-Gear

www.hydro-gear.com

Daikin-Sauer-Danfoss

www.daikin-sauer-danfoss.com

Local address:

Danfoss Power Solutions (US) Company
2800 East 13th Street
Ames, IA 50010, USA
Phone: +1 515 239 6000

Danfoss Power Solutions GmbH & Co. OHG
Krokamp 35
D-24539 Neumünster, Germany
Phone: +49 4321 871 0

Danfoss Power Solutions ApS
Nordborgvej 81
DK-6430 Nordborg, Denmark
Phone: +45 7488 2222

Danfoss Power Solutions Trading (Shanghai) Co., Ltd.
Building #22, No. 1000 Jin Hai Rd
Jin Qiao, Pudong New District
Shanghai, China 201206
Phone: +86 21 3418 5200

Danfoss can accept no responsibility for possible errors in catalogues, brochures and other printed material. Danfoss reserves the right to alter its products without notice. This also applies to products already on order provided that such alterations can be made without changes being necessary in specifications already agreed. All trademarks in this material are property of the respective companies. Danfoss and the Danfoss logotype are trademarks of Danfoss A/S. All rights reserved.