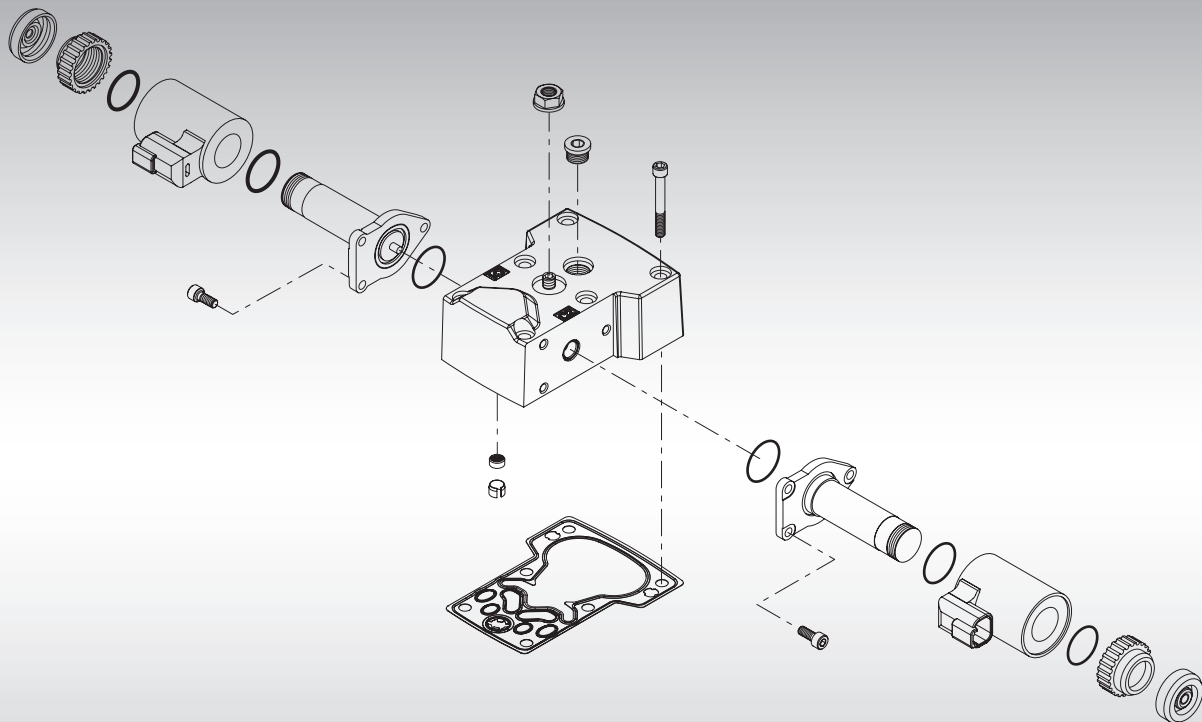




Parts Manual

H1P 45 & 53cc

Variable Displacement Pump







Contents

General Information	Service parts identification.....	4
	Nameplate	4
	Date code	5
	Service bulletins.....	5
	Procedure to identify a part.....	5
	Adobe Acrobat 2-page viewing.....	6
	Order code	7
Variable displacement pump	Common parts	8-11
	Special hardware	8-11
	Control.....	12-65
	Displacement limitation	66-69
	Orifice	70-71
	End cap.....	72-83
	Housing.....	84-85
	Shaft	84-85
	Auxiliary mounting	86-87
	High pressure setting, port A	88-97
	High pressure setting, port B	98-107
	Charge pump.....	108-109
	Filtration.....	108-109
	Charge pressure relief.....	108-109
	Overhaul seal kit	110
Service bulletins	SB-2007-004 (servo cylinder and locking plate)	111
	SB-2007-023 (adapter seal)	112
	SB-2007-026 (servo piston seal ring).....	113
	SB-2007-033 (solenoid cap and spring locking ring)	114
	SB-2008-038 (auxiliary pad flange cover)	115
	SB-2008-056 (swashplate angle sensor)	116
	SB-2009-007 (high pressure relief valve).....	117
	SB-2009-028 (port plate seal ring).....	118
	SB-2009-043 (swashplate).....	119
	SB-2009-051 (valve plate).....	120-121
	SB-2010-020 (swashplate bearing)	122
	SB-2011-020 (swashplate and slider block)	123
	SB-2013-019 (charge pump seal ring)	124
	SB-2016-033 (control gasket).....	125



General information

Service parts identification

The following information and procedure is used to identify the module group, item number, manufacture date, part number, and part name of the parts included in the H1 45 and 53cc variable displacement pumps.

The parts listed include all parts which may be used when performing either “Minor Repairs”, “Major Repairs” or “Conversions” on the H1 45 and 53cc pump.

Nameplate

Each unit will have a nameplate affixed to the housing. The nameplate will include the following information.

Model Code

The Sauer-Danfoss model code completely defines the specific unit and must be used when ordering parts to service this product.

Model Number

The Sauer-Danfoss model number is used by the factory in manufacturing. On repeat orders, a complete unit can be ordered by the model number.

Serial Number

The Sauer-Danfoss serial number is used to identify the manufacture date and the unit sequence in the build. The serial number is also used to identify the units warranty time period.

The letter code indicates the location of original manufacture (assembly). “A” indicates the unit was originally assembled in Ames, Iowa.

The first number (2 digits) indicates the year of manufacture. (“10” would indicate the unit was manufactured in 2010)

The second number (2 digits) indicates the calendar week of manufacture.

The third number (5 digits) is a sequential number used to identify a specific unit.





General information

Date code

The date code is defined as the year and week of manufacture. The same item number may list more than one part number. This indicates that there is more than one configuration for that item number. You will see that there are different date codes for the different part numbers. Find the date code of your unit from the nameplate to determine which service part number you need to order.

EXAMPLE: The service part desired is Item G30

Order Code	Item	Date Begin	Date End	Part Number	Part Name	Qty. per Model/Kit
80	G30	89-17		8000243	End cap gasket	1
	G30	87-02	89-16	8000151	End cap gasket (SB-1995-006)	1

All units using this order code with a date code of 87-02 and up to and including 89-16, must use part number "8000151". All units with a date code of 89-17 and newer must use part number "8000243".

Service bulletins

A Service Bulletin Number (SB-____ - ____) may follow the "Part Name" of the part you desire. You must read that Service Bulletin prior to ordering that part. The information contained in these Service Bulletins, as of the print date of this bulletin, are included at the end of this manual. Service Bulletins contain more detailed information such as interchangeability, what additional parts are involved, etc. It is suggested that you add additional Service Bulletins to this manual as you receive them.

Procedure to identify a part

General

The modular design of H1 units results in a simplified service parts list and part number identification procedure.

The same item numbers are used for same part names on all units within a product type. (Example: The lip seal - Item J250 has the same item number on all pumps.)

A part number that has another number following it in parentheses is done to make this a world wide manual. The first number is sold in Germany. The number in parentheses is sold in the United States. (Example: 314583 (9008000-0118), customers would order 9008000-0118 if ordering the part in the United States.)

Example of a Part Identification

The nameplate on an H1 pump has an Order Code of H1P045 R A A A2 C3 N F1 F G5 NN J 35 J 35 B L 20 PN NNN NNN. Use the following procedures to determine the part number of the drive shaft used on this pump.

- 1) Referring to the input shaft module in the Order Code (see page 7), the input shaft option for this pump is identified by the code "G5". (H1P045 R A A A2 C3 N F1 F **G5** NN J 35 J 35 B L 20 PN NNN NNN)
- 2) Referring to the Service Parts List, find the shaft group. Next find the order code that relates to this unit, which is "G5". The shaft is found to be item J100 and part number 141954.

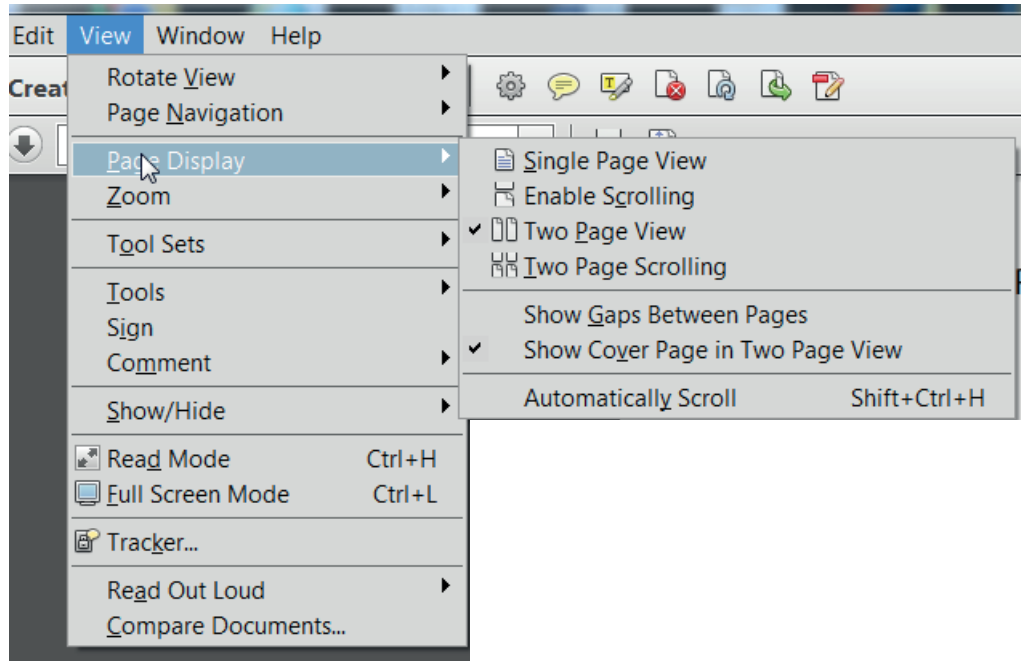


Adobe Acrobat 2-page viewing

Adobe Acrobat 2-page viewing

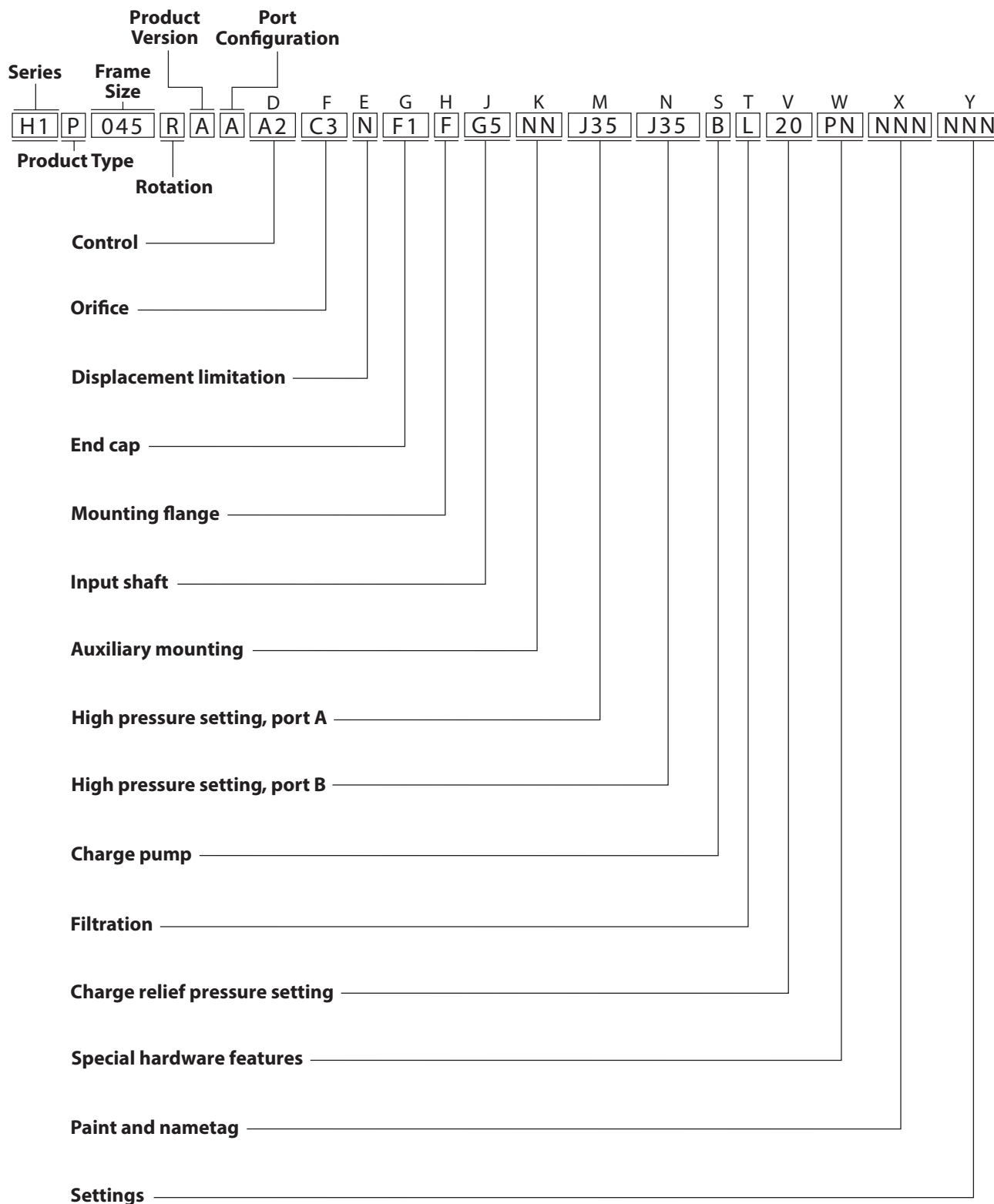
While viewing manual in Adobe Acrobat, the following settings need to be applied to ensure proper page display.

1. Select "View" --> "Page Display" --> "Two Page View"
2. Select "View" --> "Page Display" --> "Show Cover Page in Two Page View"





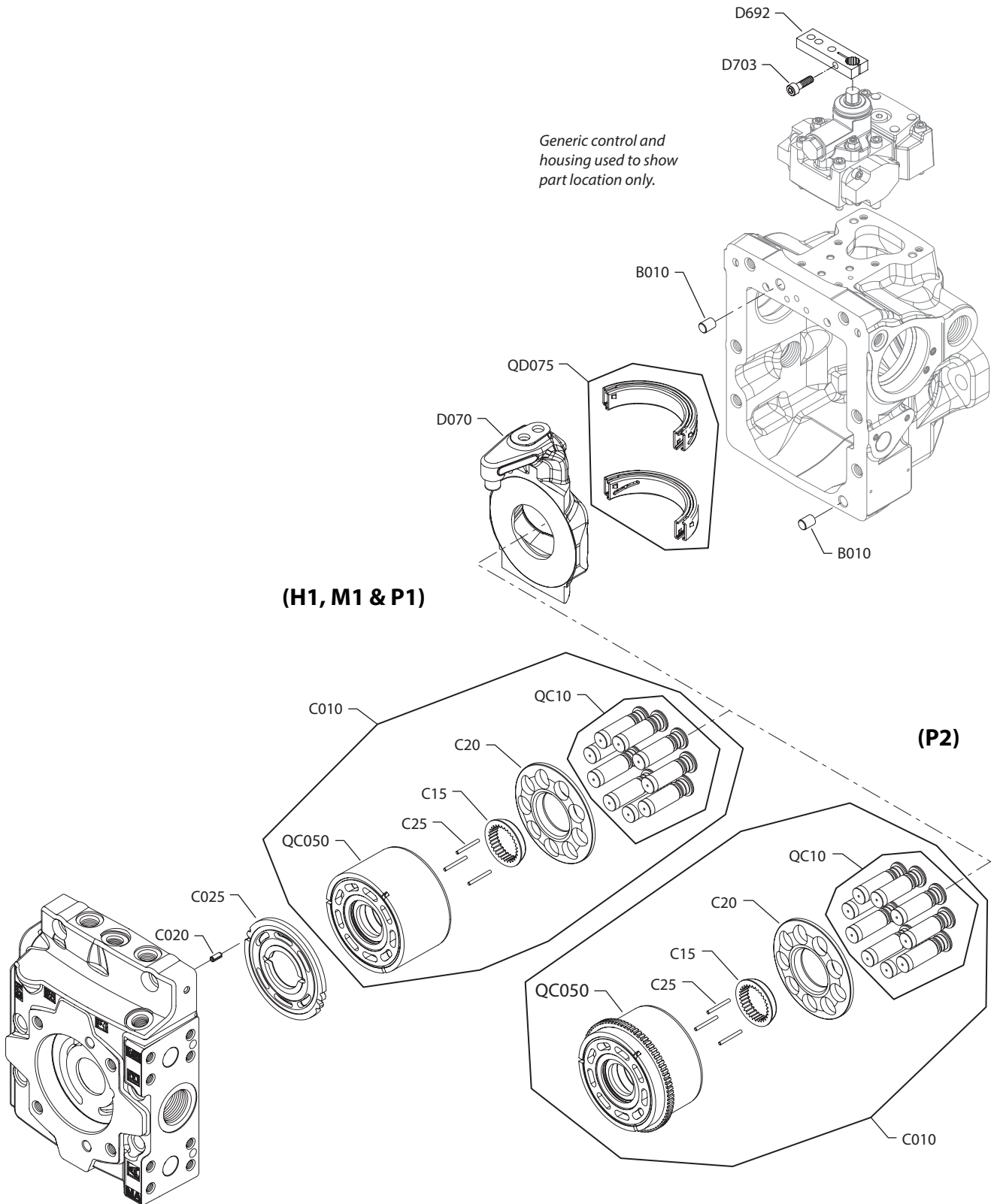
Order code





Variable displacement pump

Generic control and housing used to show part location only.



generic end cap shown

E103 391E


Variable displacement pump
Common parts

Order Code	Item	Date Begin	Date End	Part Number	Part Name	Qty. per Model/Kit
	B010	07-19		5000757	Dowel pin	2
	C020	07-19		9004700-1907	Valve plate pin,	1
	C20	07-19		141946	Slipper retainer	1
	C25	07-19		4700091	Slipper hold down pin	3
	D070	12-21		11068328	Swashplate (SB-2008-056, SB-2009-043 & SB-2011-020)	1
	D070	07-19	12-20	11098280	Swashplate replacement kit	1
	QC10	07-19		11020841	Slipper/piston kit, 45 cc	1
	QC10	07-19		11020932	Slipper/piston kit, 53 cc	1
	QD075	07-19		11085533	Swashplate bearing kit (SB-2010-020)	1

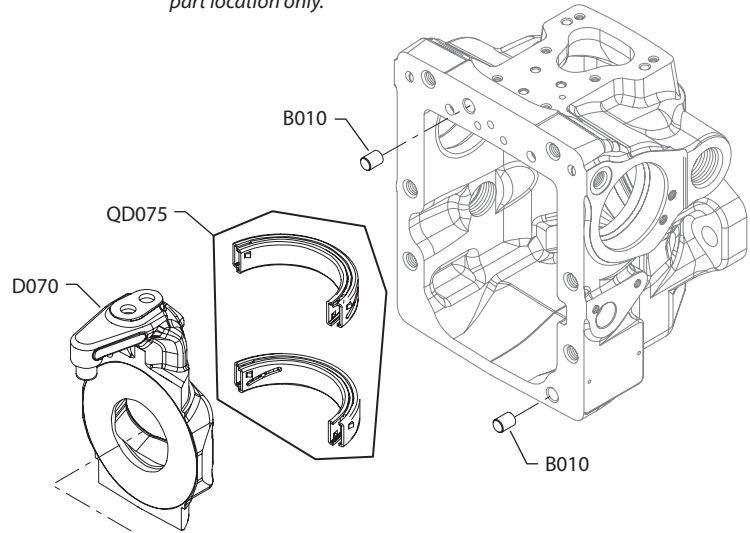
Special hardware

H1	C15	14-33		140625	Slipper retainer ball guide	1
	C010	14-33		141631	Cylinder block kit, 45 cc	1
	C010	14-33		141632	Cylinder block kit, 53 cc	1
	C025	14-33		11071901	Valve plate kit, CW	1
	C025	14-33		11071912	Valve plate kit, CCW	1
	D692	14-33		11113513	Control handle	1
	D703	14-33		041160 (9007314-0605)	Screw, M6 x 20	1
	QC50	14-33		141553	Cylinder block assembly, 45 cc	1
	QC50	14-33		141554	Cylinder block assembly, 53 cc	1
M1	C15	07-19		140625	Slipper retainer ball guide	1
	C010	07-19		141631	Cylinder block kit, 45 cc	1
	C025	07-19		11018336	Valve plate, CW	1
	QC50	07-19		141553	Cylinder block assembly, 45 cc	1
M1	Replaced with P1 (H1P045L, H1P053L and H1P053R)					
M2	Replaced with P2					
M4	Replaced with P4					
NN	Replaced with PN					
P1	C15	09-13		140625	Slipper retainer ball guide	1
	C010	09-13		141631	Cylinder block kit, 45 cc	1
	C010	09-13		141632	Cylinder block kit, 53 cc	1
	C025	09-13		11071901	Valve plate kit, CW	1
	C025	09-13		11071912	Valve plate kit, CCW	1
	QC50	09-13		141553	Cylinder block assembly, 45 cc	1
	QC50	09-13		141554	Cylinder block assembly, 53 cc	1
P2	C15	09-13		140625	Slipper retainer ball guide	1
	C010	09-13		11030567	Cylinder block kit, 45 cc, with speed ring	1
	C010	09-13		11030568	Cylinder block kit, 53 cc, with speed ring	1
	C025	09-13		11071901	Valve plate kit, CW	1
	C025	09-13		11071912	Valve plate kit, CCW	1
	QC50	09-13		11030569	Cylinder block assembly, 45 cc, with speed ring	1
	QC50	09-13		11030570	Cylinder block assembly, 53 cc, with speed ring	1

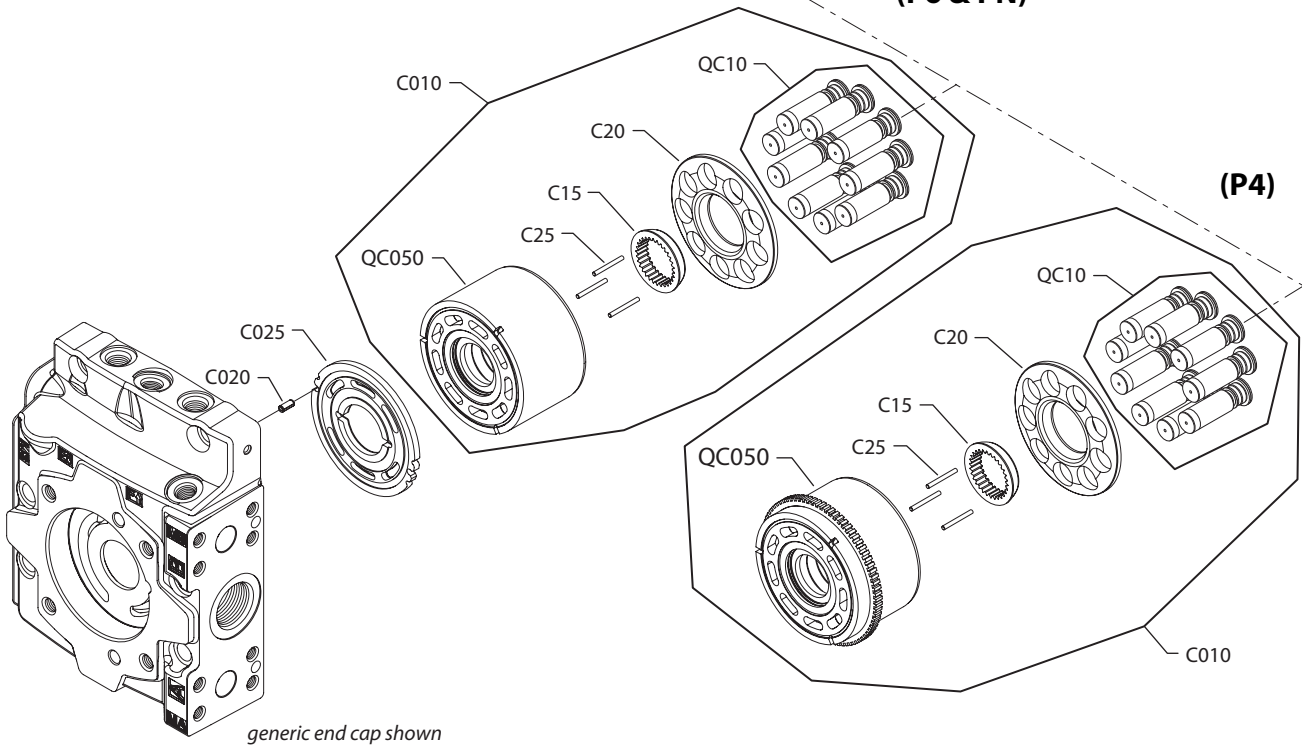


Variable displacement pump

Generic control and housing used to show part location only.



(P6 & PN)



generic end cap shown



Variable displacement pump

Common parts

Order Code	Item	Date Begin	Date End	Part Number	Part Name	Qty. per Model/Kit
	B010	07-19		5000757	Dowel pin	2
	C020	07-19		9004700-1907	Valve plate pin,	1
	C20	07-19		141946	Slipper retainer	1
	C25	07-19		4700091	Slipper hold down pin	3
	D070	12-21		11068328	Swashplate (SB-2008-056, SB-2009-043 & SB-2011-020)	1
	D070	07-19	12-20	11098280	Swashplate replacement kit	1
	QC10	07-19		11020841	Slipper/piston kit, 45 cc	1
	QC10	07-19		11020932	Slipper/piston kit, 53 cc	1
	QD075	07-19		11085533	Swashplate bearing kit (SB-2010-020)	1

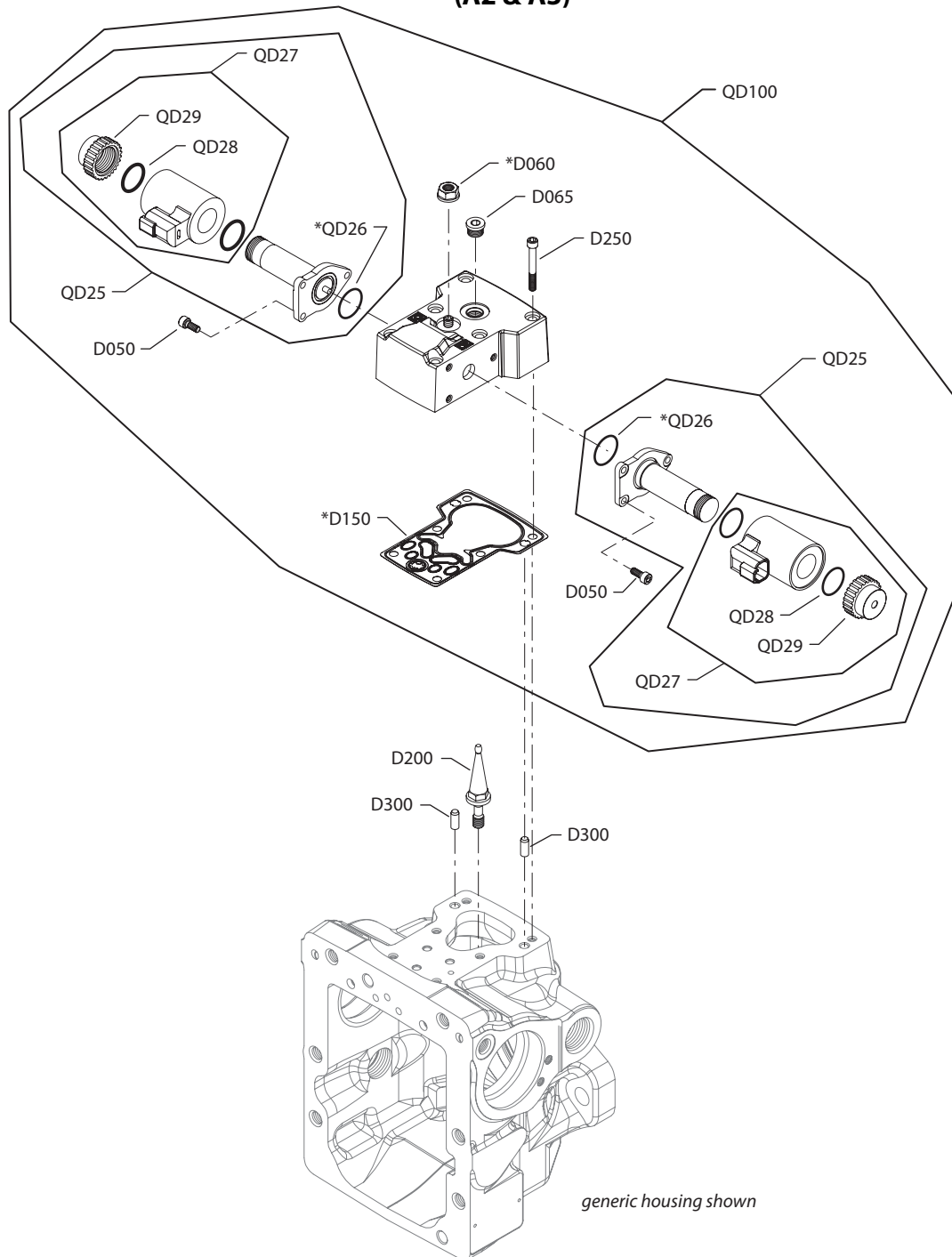
Special hardware

P4	C15	09-13		140625	Slipper retainer ball guide	1
	C010	09-13		11030567	Cylinder block kit, 45 cc, with speed ring	1
	C010	09-13		11030568	Cylinder block kit, 53 cc, with speed ring	1
	C025	09-13		11071901	Valve plate kit, CW	1
	C025	09-13		11071912	Valve plate kit, CCW	1
	QC50	09-13		11030569	Cylinder block assembly, 45 cc, with speed ring	1
	QC50	09-13		11030570	Cylinder block assembly, 53 cc, with speed ring	1
P6	C15	13-20		11112897	Slipper retainer ball guide, coated	1
	C010	13-20		11132003	Cylinder block kit, 45 cc	1
	C010	13-20		11132004	Cylinder block kit, 53 cc	1
	C025	09-13		11071912	Valve plate kit, CCW	1
	QC50	13-20		141553	Cylinder block assembly, 45 cc	1
	QC50	13-20		141554	Cylinder block assembly, 53 cc	1
	PN	C15	09-13		140625	Slipper retainer ball guide
C010		09-13		141631	Cylinder block kit, 45 cc	1
C010		09-13		141632	Cylinder block kit, 53 cc	1
C025		09-13		11071901	Valve plate kit, CW	1
C025		09-13		11071912	Valve plate kit, CCW	1
QC50		09-13		141553	Cylinder block assembly, 45 cc	1
QC50		09-13		141554	Cylinder block assembly, 53 cc	1



Variable displacement pump

(A2 & A3)



E100 940E

* = included in overhaul seal kit Q210



Variable displacement pump

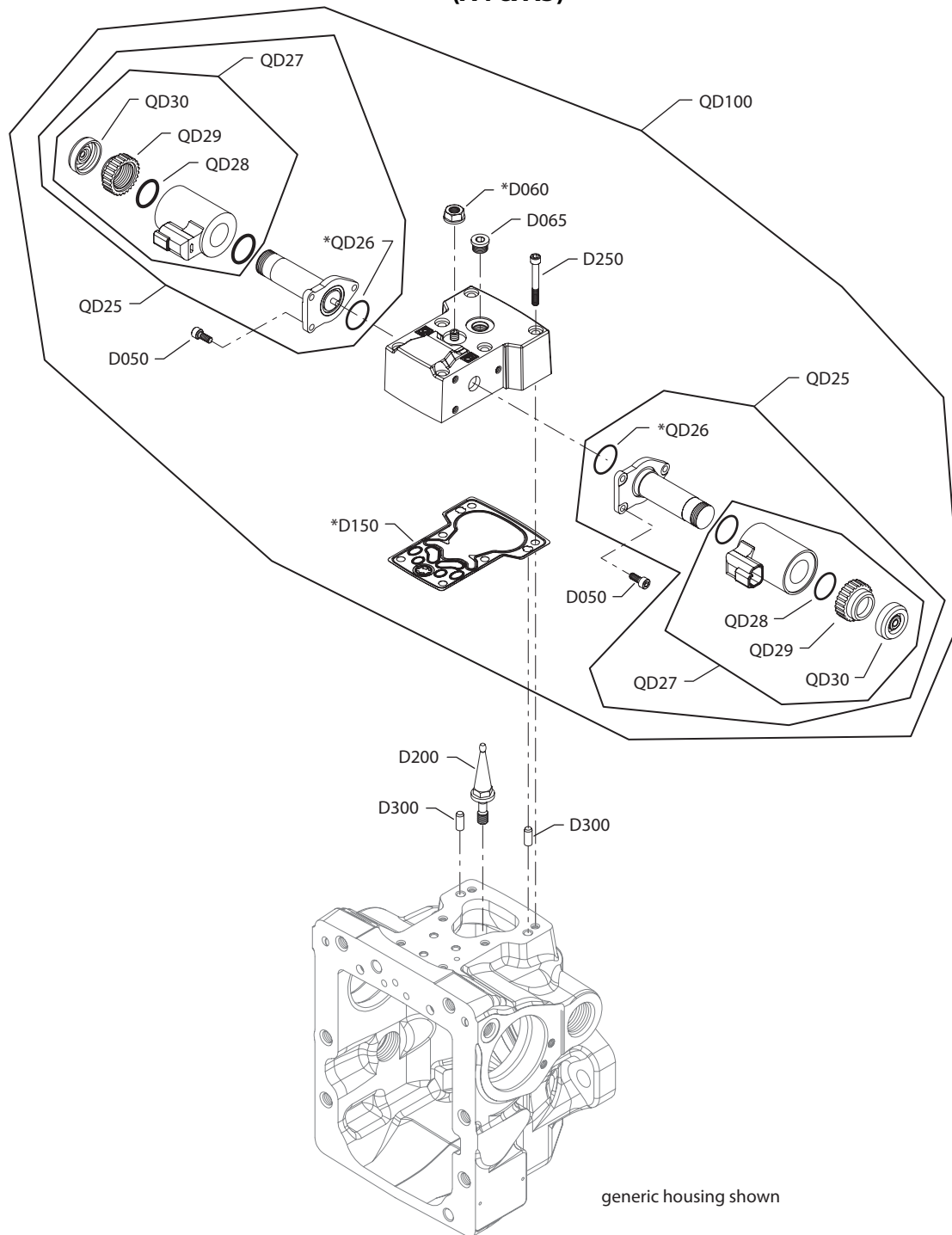
Control

Order Code	Item	Date Begin	Date End	Part Number	Part Name	Qty. per Model/Kit
A2	D050	07-19		716860	Screw, M5 x 12	6
	D060	07-19		612291 (9003508-0008)	Seal nut, M8	1
	D065	07-19		140642	Plug assembly	1
	D150	07-19		11173377	Control gasket, H1 (SB-2016-033)	1
	D200	07-19		11148827	Swashplate feedback link	1
	D250	07-19		505038	Screw, M6 x 45	6
	D300	07-19		310979	Dowel pin	2
	QD25	07-19		11012457	Proportional solenoid, 12V	2
	QD26	07-19		11001952	O-ring	2
	QD27	07-19		11028018	Coil kit, 12V, Deutsch connector	2
	QD28	07-19		063172	O-ring	2
	QD29	07-19		11027046	Coil nut	2
	QD100	07-19		11019680	EDC kit, 12V, Deutsch connector, fast	1
	A3	D050	07-19		716860	Screw, M5 x 12
D060		07-19		612291 (9003508-0008)	Seal nut, M8	1
D065		07-19		140642	Plug assembly	1
D150		07-19		11173377	Control gasket, H1 (SB-2016-033)	1
D200		07-19		11148827	Swashplate feedback link	1
D250		07-19		505038	Screw, M6 x 45	6
D300		07-19		310979	Dowel pin	2
QD25		07-19		11012459	Coil kit, 24V, Deutsch connector	2
QD26		07-19		11001952	O-ring	2
QD27		07-19		11028019	Coil kit, 24V, Deutsch connector	2
QD28		07-19		063172	O-ring	2
QD29		07-19		11027046	Coil nut	2
QD100		07-19		11019681	EDC kit, 24V, Deutsch connector, fast	1



Variable displacement pump

(A4 & A5)



generic housing shown

E101 740E

* = included in overhaul seal kit Q210


Variable displacement pump
Control

Order Code	Item	Date Begin	Date End	Part Number	Part Name	Qty. per Model/Kit
A4	D050	10-48		716860	Screw, M5 x 12	6
	D060	10-48		612291 (9003508-0008)	Seal nut, M8	1
	D065	10-48		140642	Plug	1
	D150	10-48		11173377	Control gasket, H1 (SB-2016-033)	1
	D200	10-48		11148827	Swashplate feedback link	1
	D250	10-48		505038	Screw, M6 x 45	6
	D300	10-48		310979	Dowel pin	2
	QD25	10-48		140750	Proportional solenoid, 12v	2
	QD26	10-48		11001952	O-ring	2
	QD27	10-48		11004698	Coil kit, 12v, Deutsch connector	2
	QD28	10-48		063172	O-ring	2
	QD29	10-48		11004749	Coil nut	2
	QD30	10-48		11027883	Cap	2
	QD100	10-48		11019732	EDC kit, 12V, high gain spool, manual override	1
	A5	D050	10-48		716860	Screw, M5 x 12
D060		10-48		612291 (9003508-0008)	Seal nut, M8	1
D065		10-48		140642	Plug	1
D150		10-48		11173377	Control gasket, H1 (SB-2016-033)	1
D200		10-48		11148827	Swashplate feedback link	1
D250		10-48		505038	Screw, M6 x 45	6
D300		10-48		310979	Dowel pin	2
QD25		10-48		140751	Proportional solenoid, 24v	2
QD26		10-48		11001952	O-ring	2
QD27		10-48		11004700	Coil kit, 24v, Deutsch connector	2
QD28		10-48		063172	O-ring	2
QD29		10-48		11004749	Coil nut	2
QD30		10-48		11027883	Cap	2
QD100		10-48		11019733	EDC kit, 24V, high gain spool, manual override	1



Variable displacement pump

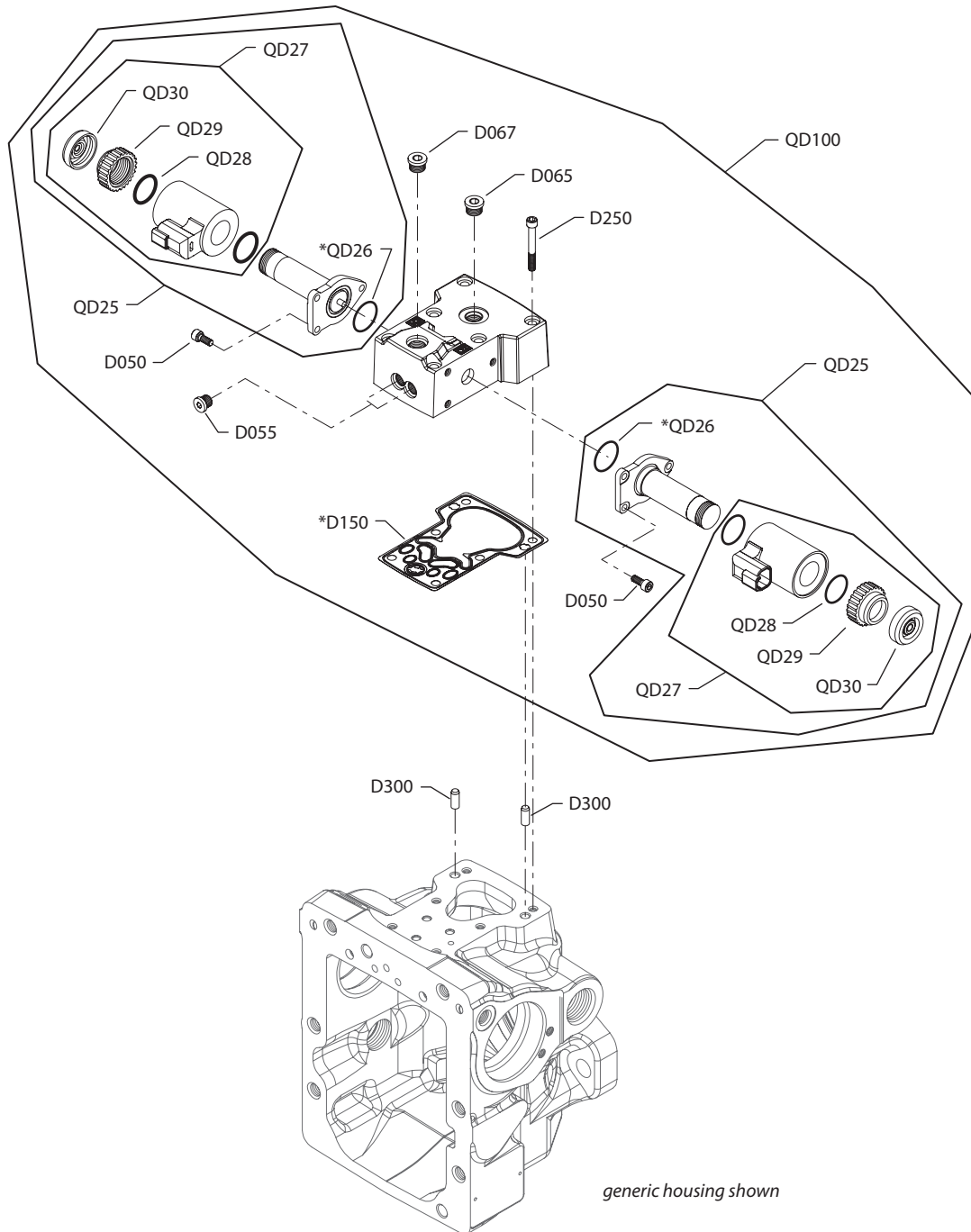
Control

Order Code	Item	Date Begin	Date End	Part Number	Part Name	Qty. per Model/Kit
A7	D050	10-04		716860	Screw, M5 x 12	6
	D055	10-04		11040532	Plug assembly	2
	D067	10-04		140642	Plug assembly	1
	D150	10-04		11173377	Control gasket, H1 (SB-2016-033)	1
	D250	10-04		505038	Screw, M6 x 45	6
	D300	10-04		11036469	Dowel pin	2
	D610	10-04		11000467	Plug assembly	2
	D611	10-04		11066774	O-ring	2
	D640	10-04		11023348	AC wiring harness	1
	D655	10-04		11084827	Blank, connector DTM 06-3S	1
	D660	10-04		11084822	Blank, connector DTM 06-6S	1
	D672	10-04		11151875	Protection	1
	D674	10-04		716860	Screw, M5 x 12	2
	QD25	10-04		140750	Proportional solenoid, 12 volt	2
	QD26	10-04		11001952	O-ring	2
	QD27	10-04		11004698	Coil kit, 12v, Deutsch connector	2
	QD28	10-04		063172	O-ring	2
	QD29	10-04		11004749	Coil nut	2
	QD30	10-04		11027883	Cap	2
	QD100	10-04		11065118	Automotive control kit, 12v, manual override	1



Variable displacement pump

(A8)



E101 730E

* = included in overhaul seal kit Q210



Variable displacement pump

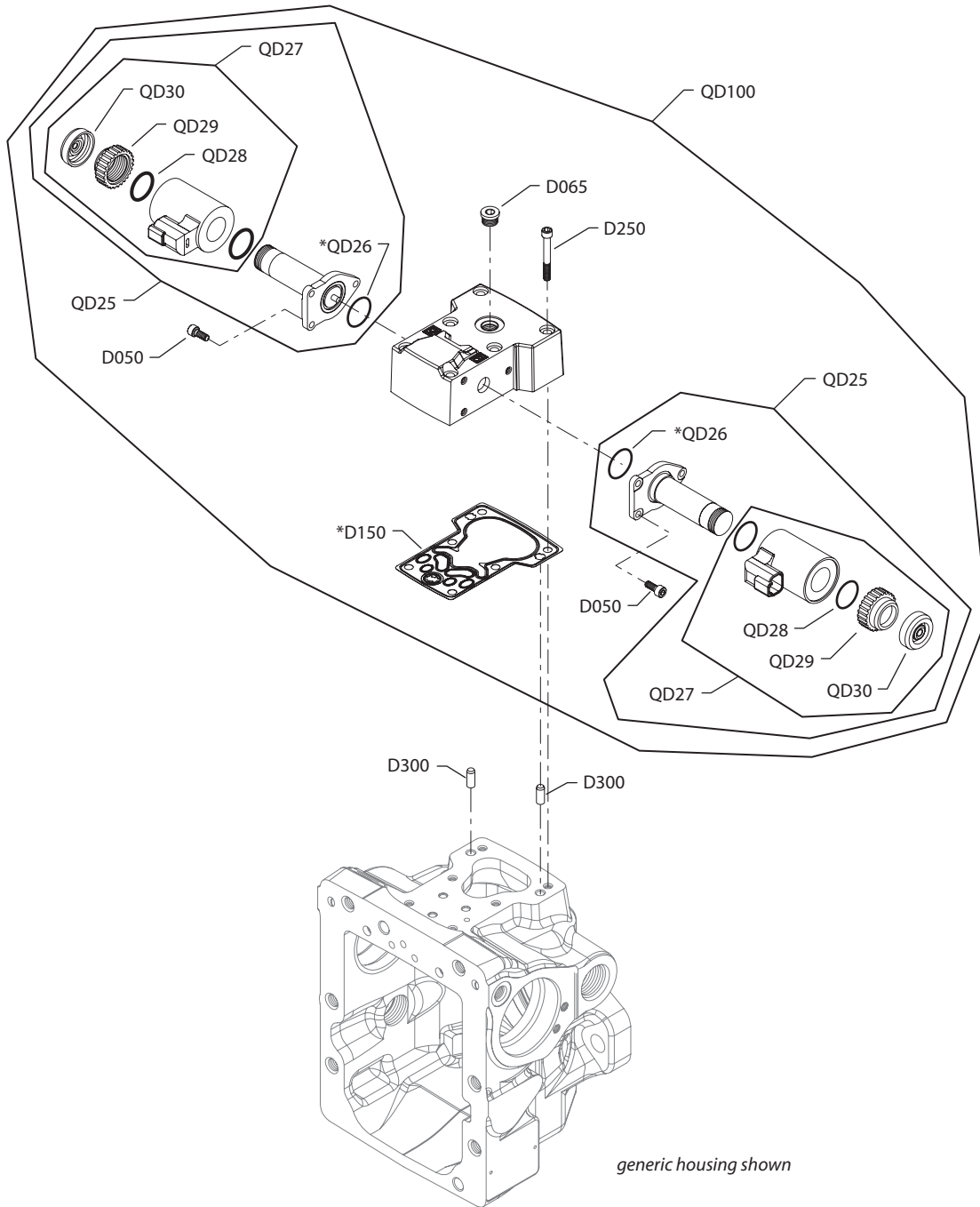
Control

Order Code	Item	Date Begin	Date End	Part Number	Part Name	Qty. per Model/Kit
A8	D050	07-19		716860	Screw, M5 x 12	6
	D055	07-19		11040532	Plug assembly	2
	D065	07-19		140642	Plug	1
	D067	07-19		140642	Plug	1
	D150	07-19		11173377	Control gasket	1
	D250	07-19		505038	Screw, M6 x 45	6
	D300	07-19		310979	Dowel pin	2
	QD25	07-19		140750	Proportional solenoid, 12v, Deutsch connector	2
	QD26	07-19		11001952	O-ring	2
	QD27	07-19		11004698	Coil kit, 12v, Deutsch connector	2
	QD28	07-19		063172	O-ring	2
	QD29	07-19		11004749	Coil nut	2
	QD30	07-19		11027883	Cap	2
	QD100	07-19		11015803	NFPE control kit, 12V, manual override, Deutsch conn.	1



Variable displacement pump

(A9 & B1)



generic housing shown

E101 703E

* = included in overhaul seal kit Q210

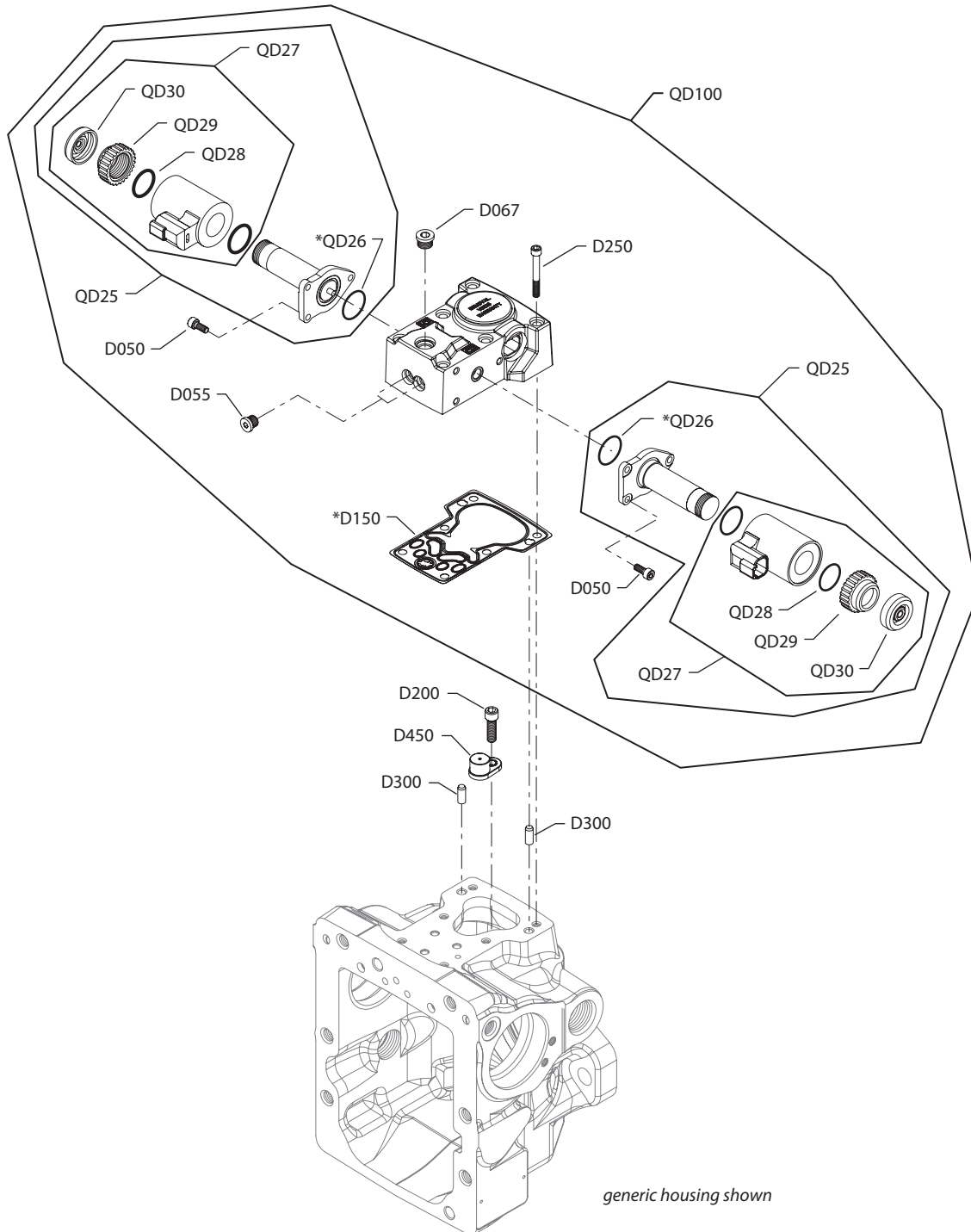

Variable displacement pump
Control

Order Code	Item	Date Begin	Date End	Part Number	Part Name	Qty. per Model/Kit
A9	D050	07-19		716860	Screw, M5 x 12	6
	D065	07-19		140642	Plug assembly	1
	D150	07-19		11173377	Control gasket, H1 (SB-2016-033)	1
	D250	07-19		505038	Screw, M6 x 45	6
	D300	07-19		310979	Dowel pin	2
	QD25	07-19		141301	Proportional solenoid, 12v, Deutsch connector	2
	QD26	07-19		11001952	O-ring	2
	QD27	07-19		11005222	Coil kit, 12v, Deutsch connector	2
	QD28	07-19		063172	O-ring	2
	QD29	07-19		11004749	Coil nut	2
	QD30	07-19		11027883	Cap	2
	QD100	07-19		11025905	FNR control kit, 12v, manual override, Deutsch conn.	1
	B1	D050	07-19		716860	Screw, M5 x 12
D065		07-19		140642	Plug assembly	1
D150		07-19		11173377	Control gasket, H1 (SB-2016-033)	1
D250		07-19		505038	Screw, M6 x 45	6
D300		07-19		310979	Dowel pin	2
QD25		07-19		141313	Proportional solenoid, 24v, Deutsch connector	2
QD26		07-19		11001952	O-ring	2
QD27		07-19		11005223	Coil kit, 24v, Deutsch connector	2
QD28		07-19		063172	O-ring	2
QD29		07-19		11004749	Coil nut	2
QD30		07-19		11027883	Cap	2
QD100		07-19		11025906	FNR control kit, 24v, manual override, Deutsch conn.	1



Variable displacement pump

(B5)



E101 971E

* = included in overhaul seal kit Q210



Variable displacement pump

Control

Order Code	Item	Date Begin	Date End	Part Number	Part Name	Qty. per Model/Kit
B5	D050	10-48		716860	Screw, M5 x 12	6
	D055	10-48		11040532	Plug assembly	2
	D067	10-48		140642	Plug assembly	1
	D150	10-48		11173377	Control gasket	1
	D200	10-48		141472	Screw, special	1
	D250	10-48		505038	Screw, M6 x 45	6
	D300	10-48		310979	Dowel pin	2
	D450	10-48		11003097	Magnet carrier	1
	QD25	10-48		140750	Proportional solenoid, 12 volt	2
	QD26	10-48		11001952	O-ring	2
	QD27	10-48		11004698	Coil kit, 12V, Deutsch connector	2
	QD28	10-48		063172	O-ring	2
	QD29	10-48		11004749	Coil nut	2
	QD30	10-48		11027883	Cap	2
	QD100	10-48		11050138	NFPE control kit, 12V, manual override	1

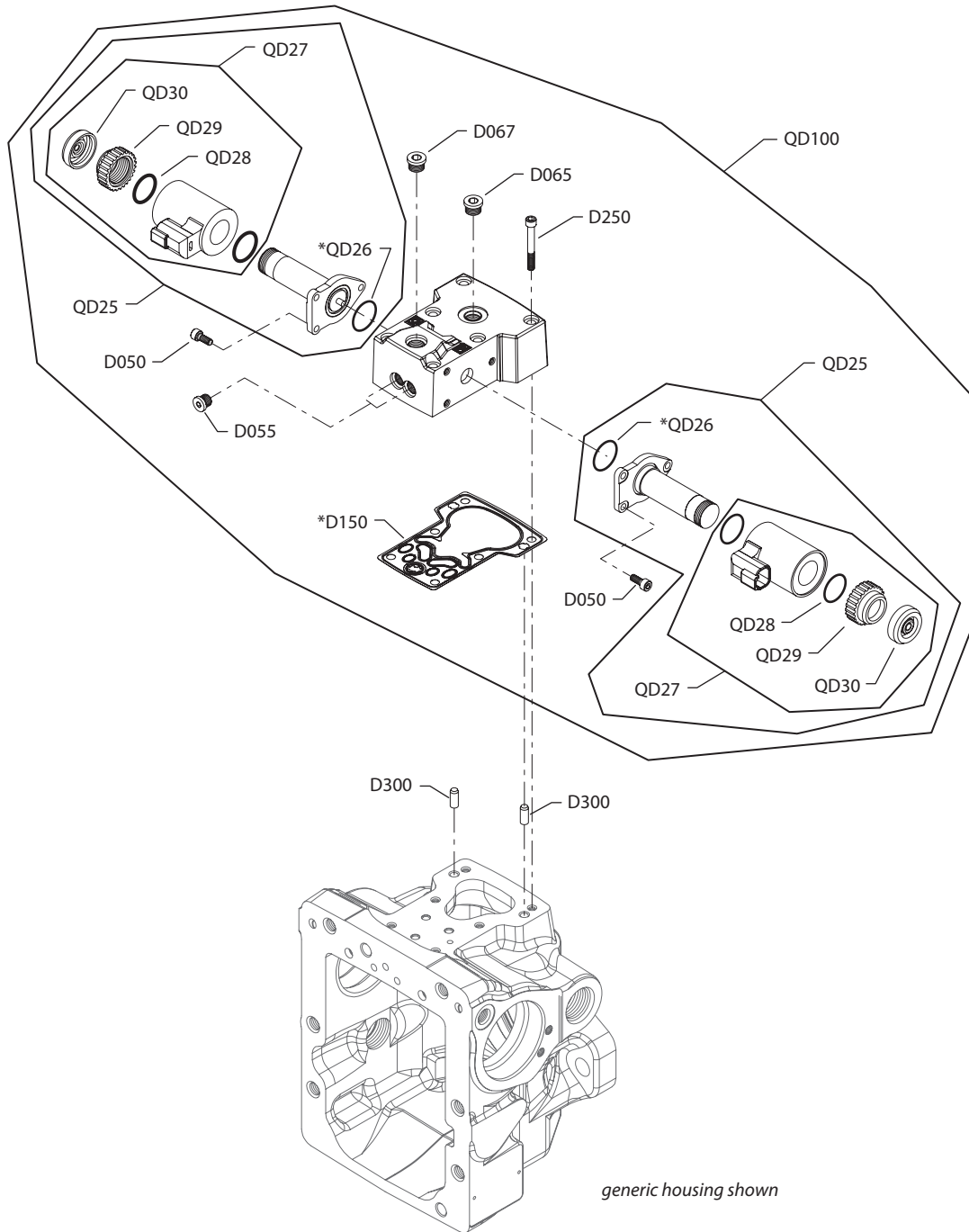

Variable displacement pump
Control

Order Code	Item	Date Begin	Date End	Part Number	Part Name	Qty. per Model/Kit
B7	D050	10-04		716860	Screw, M5 x 12	6
	D055	10-04		11040532	Plug assembly	2
	D067	10-04		140642	Plug assembly	1
	D150	10-04		11173377	Control gasket, H1 (SB-2016-033)	1
	D200	10-04		141472	Screw, special	1
	D250	10-04		505038	Screw, M6 x 45	6
	D300	10-04		11036469	Dowel pin	2
	D450	10-04		11003097	Magnet carrier	1
	D610	10-04		11000467	Plug assembly	2
	D611	10-04		11066774	O-ring	2
	D640	10-04		11023348	AC wiring harness	1
	D655	10-04		11084827	Blank, connector DTM 06-3S	1
	D660	10-04		11084822	Blank, connector DTM 06-6S	1
	D672	10-04		11151875	Protection	1
	D674	10-04		716860	Screw, M5 x 12	2
	QD25	10-04		140750	Proportional solenoid, 12 volt	2
	QD26	10-04		11001952	O-ring	2
	QD27	10-04		11004698	Coil kit, 12v, Deutsch connector	2
	QD28	10-04		063172	O-ring	2
	QD29	10-04		11004749	Coil nut	2
	QD30	10-04		11027883	Cap	2
	QD100	10-04		11065119	Automotive control kit, 12v, manual override	1



Variable displacement pump

(B8)



E101 730E

* = included in overhaul seal kit Q210

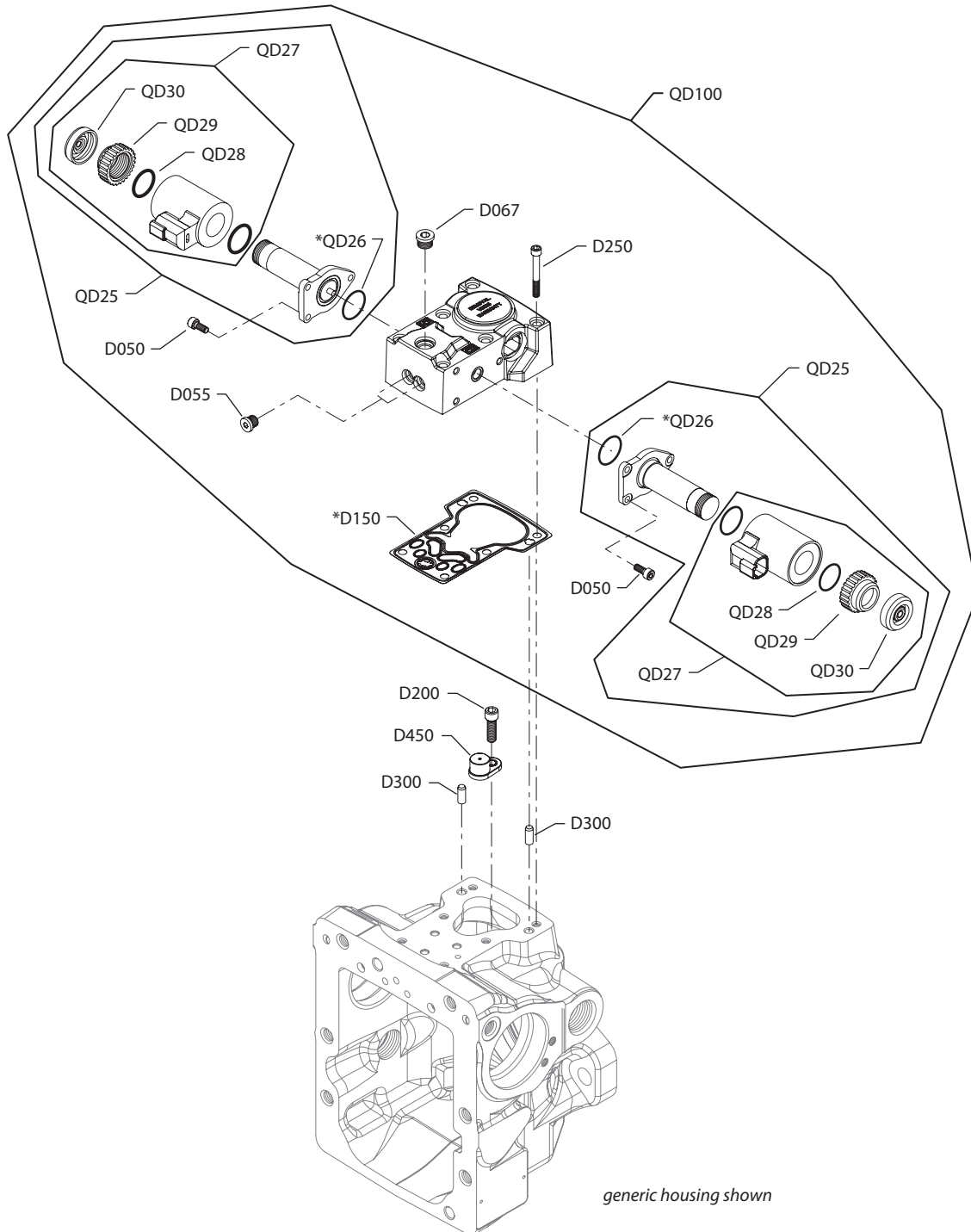

Variable displacement pump
Control

Order Code	Item	Date Begin	Date End	Part Number	Part Name	Qty. per Model/Kit
B8	D050	10-48		716860	Screw, M5 x 12	6
	D055	10-48		11040532	Plug assembly	2
	D065	10-48		140642	Plug assembly	1
	D067	10-48		140642	Plug assembly	1
	D150	10-48		11173377	Control gasket, H1 (SB-2016-033)	1
	D250	10-48		505038	Screw, M6 x 45	6
	D300	10-48		310979	Dowel pin	2
	QD25	10-48		140751	Proportional solenoid, 24v, Deutsch connector	2
	QD26	10-48		11001952	O-ring	2
	QD27	10-48		11004700	Coil kit, 24v, Deutsch connector	2
	QD28	10-48		063172	O-ring	2
	QD29	10-48		11004749	Coil nut	2
	QD30	10-48		11027883	Cap	2
	QD100	10-48		11025904	NFPE control kit, 24v, manual override, Deutsch conn.	1



Variable displacement pump

(B9)



E101 971E

* = included in overhaul seal kit Q210



Variable displacement pump

Control

Order Code	Item	Date Begin	Date End	Part Number	Part Name	Qty. per Model/Kit
B9	D050	10-48		716860	Screw, M5 x 12	6
	D055	10-48		11040532	Plug assembly	2
	D067	10-48		140642	Plug assembly	1
	D150	10-48		11173377	Control gasket	1
	D200	10-48		141472	Screw, special	1
	D250	10-48		505038	Screw, M6 x 45	6
	D300	10-48		310979	Dowel pin	2
	D450	10-48		11003097	Magnet carrier	1
	QD25	10-48		140751	Proportional solenoid, 24v, Deutsch connector	2
	QD26	10-48		11001952	O-ring	2
	QD27	10-48		11004700	Coil kit, 24v, Deutsch connector	2
	QD28	10-48		063172	O-ring	2
	QD29	10-48		11004749	Coil nut	2
	QD30	10-48		11027883	Cap	2
	QD100	10-48		11050137	NFPE control kit,, 24V, manual override	1



Variable displacement pump

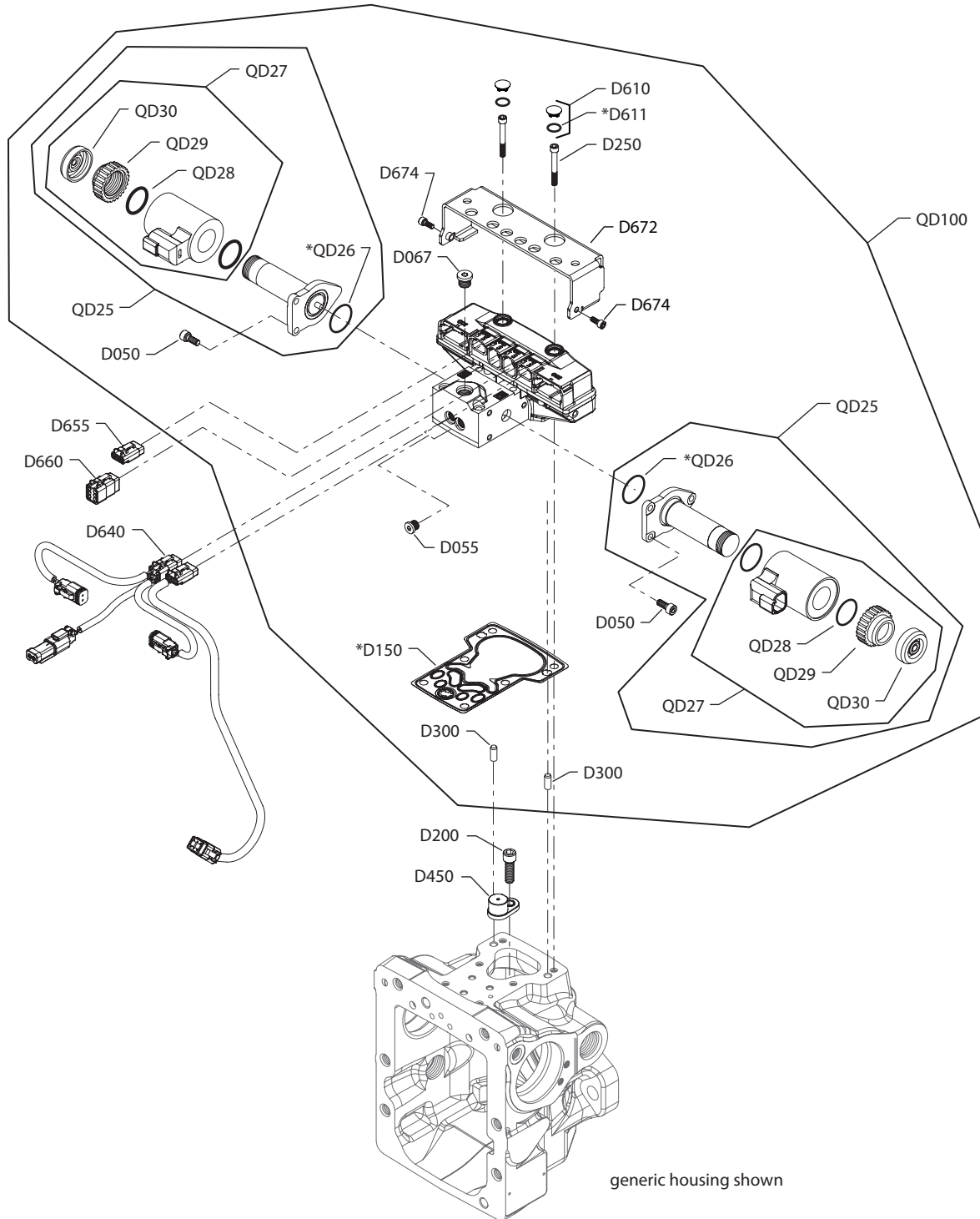
Control

Order Code	Item	Date Begin	Date End	Part Number	Part Name	Qty. per Model/Kit
C2	D050	10-04		716860	Screw, M5 x 12	6
	D055	10-04		11040532	Plug assembly	2
	D067	10-04		140642	Plug assembly	1
	D150	10-04		11173377	Control gasket, H1 (SB-2016-033)	1
	D250	10-04		505038	Screw, M6 x 45	6
	D300	10-04		11036469	Dowel pin	2
	D610	10-04		11000467	Plug assembly	2
	D611	10-04		11066774	O-ring	2
	D640	10-04		11023348	AC wiring harness	1
	D655	10-04		11084827	Blank, connector DTM 06-3S	1
	D660	10-04		11084822	Blank, connector DTM 06-6S	1
	D672	10-04		11151875	Protection	1
	D674	10-04		716860	Screw, M5 x 12	2
	QD25	10-04		140751	Proportional solenoid, 24 volt	2
	QD26	10-04		11001952	O-ring	2
	QD27	10-04		11004700	Coil kit, 24v, Deutsch connector	2
	QD28	10-04		063172	O-ring	2
	QD29	10-04		11004749	Coil nut	2
	QD30	10-04		11027883	Cap	2
	QD100	10-04		11065120	Automotive control kit, 24v, manual override	1



Variable displacement pump

(C3)



generic housing shown

E101 767E

* = included in overhaul seal kit Q210



Variable displacement pump

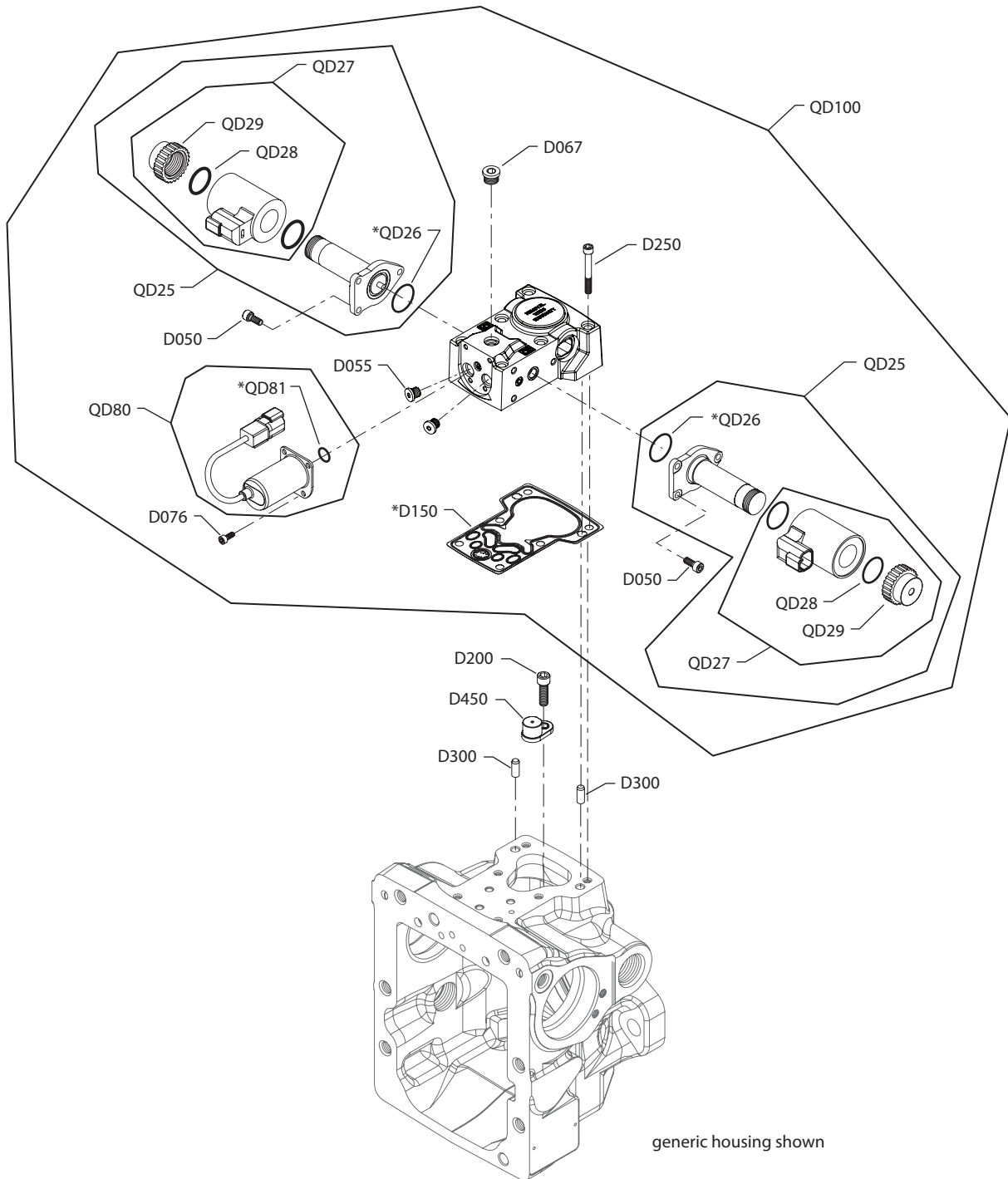
Control

Order Code	Item	Date Begin	Date End	Part Number	Part Name	Qty. per Model/Kit
C3	D050	10-04		716860	Screw, M5 x 12	6
	D055	10-04		11040532	Plug assembly	2
	D067	10-04		140642	Plug assembly	1
	D150	10-04		11173377	Control gasket, H1 (SB-2016-033)	1
	D200	10-04		141472	Screw, special	1
	D250	10-04		505038	Screw, M6 x 45	6
	D300	10-04		11036469	Dowel pin	2
	D450	10-04		11003097	Magnet carrier	1
	D610	10-04		11000467	Plug assembly	2
	D611	10-04		11066774	O-ring	2
	D640	10-04		11023348	AC wiring harness	1
	D655	10-04		11084827	Blank, connector DTM 06-3S	1
	D660	10-04		11084822	Blank, connector DTM 06-6S	1
	D672	10-04		11151875	Protection	1
	D674	10-04		716860	Screw, M5 x 12	2
	QD25	10-04		140751	Proportional solenoid, 24 volt	2
	QD26	10-04		11001952	O-ring	2
	QD27	10-04		11004700	Coil kit, 24v, Deutsch connector	2
	QD28	10-04		063172	O-ring	2
	QD29	10-04		11004749	Coil nut	2
	QD30	10-04		11027883	Cap	2
	QD100	10-04		11065121	Automotive control kit, 24v, manual override	1



Variable displacement pump

(C7)



generic housing shown

E101 973E

* = included in overhaul seal kit Q210

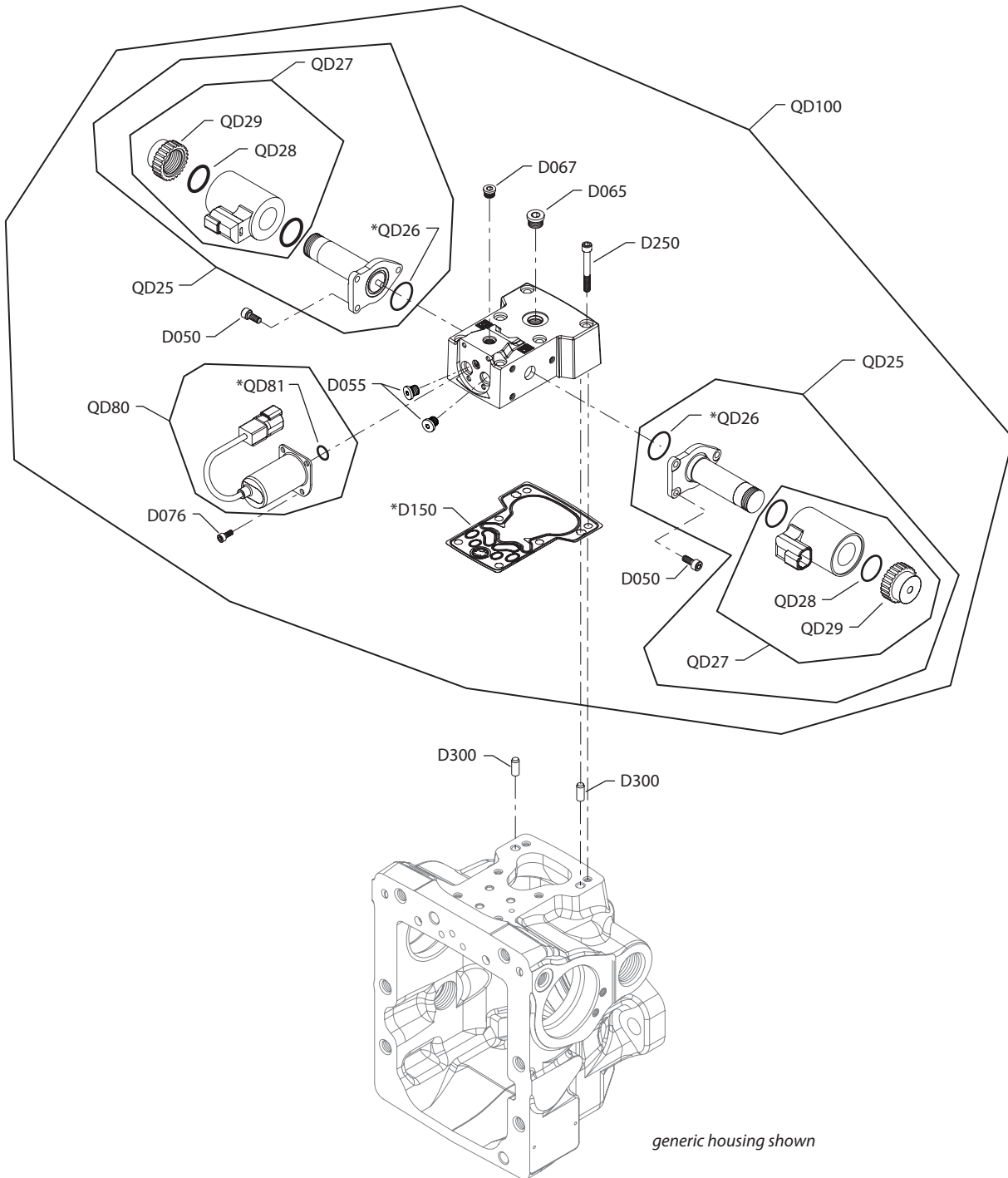

Variable displacement pump
Control

Order Code	Item	Date Begin	Date End	Part Number	Part Name	Qty. per Model/Kit
C7	D050	10-37		716860	Screw, M5 x 12	6
	D055	10-37		11040532	Plug assembly	2
	D067	10-37		11040532	Plug assembly	1
	D076	10-37		346957	Screw, M4 x 8	4
	D150	10-37		11173377	Control gasket	1
	D200	10-37		141472	Screw, special	1
	D250	10-37		505038	Screw, M6 x 45	6
	D300	10-37		310979	Dowel pin	2
	D450	10-37		11003097	Magnet carrier	1
	QD25	10-37		11012457	Proportional solenoid, 12V	2
	QD26	10-37		11001952	O-ring	2
	QD27	10-37		11028018	Coil kit, 12V, Deutsch connector	2
	QD28	10-37		063172	O-ring	2
	QD29	10-37		11027046	Coil nut	2
	QD80	10-37		11015978	Solenoid, 12V	1
	QD81	10-37		11059551	O-ring	1
	QD100	10-37		11088423	NFPE kit, 12V, high gain spool, control override	1



Variable displacement pump

(D8)



E103 388E

* = included in overhaul seal kit Q210



Variable displacement pump

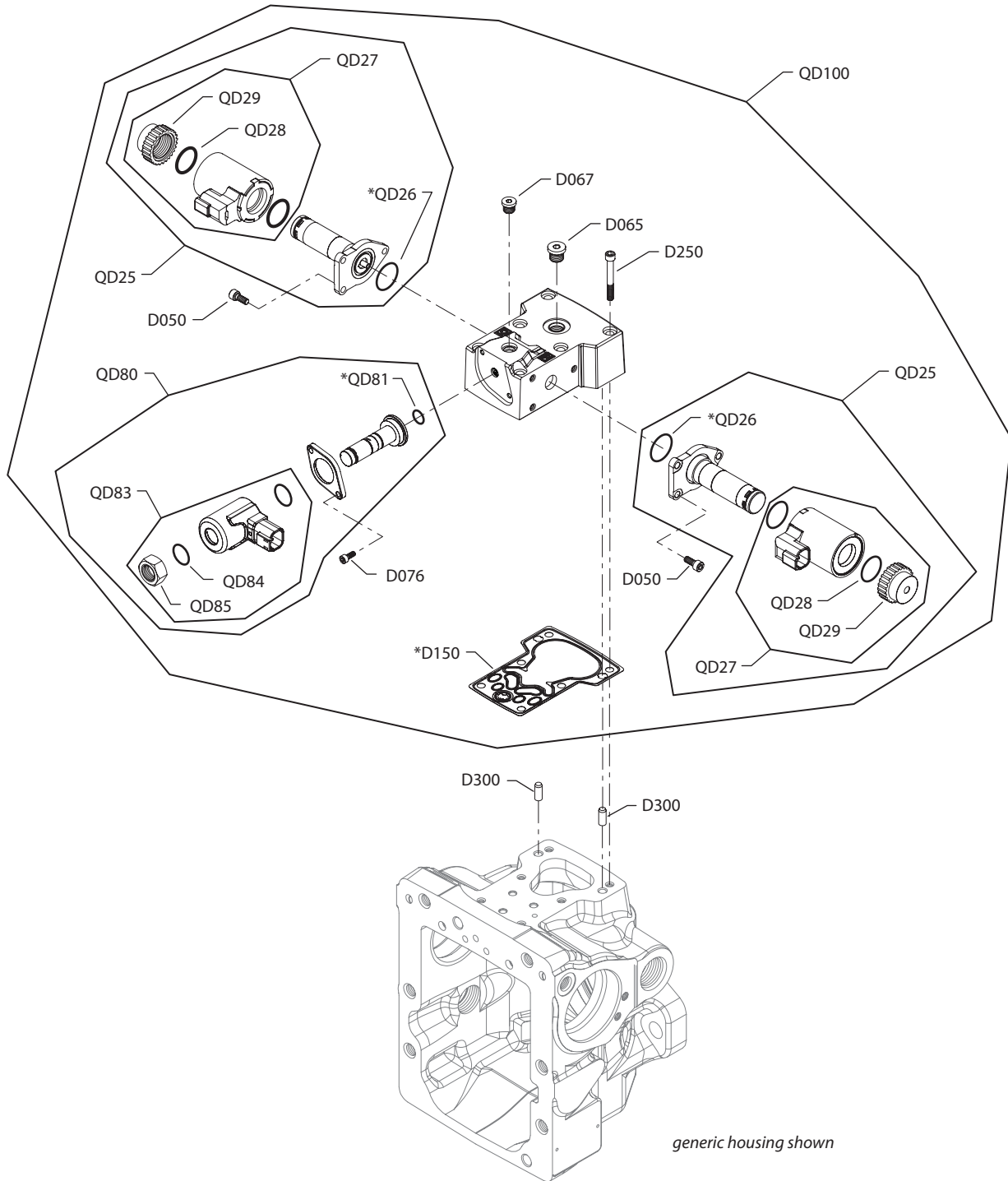
Control

Order Code	Item	Date Begin	Date End	Part Number	Part Name	Qty. per Model/Kit
D8	D050	13-32		716860	Screw, M5 x 12	6
	D055	13-32		11040532	Plug assembly	2
	D065	13-32		140642	Plug assembly	1
	D067	13-32		11040532	Plug assembly	1
	D076	13-32		346957	Screw, M4 x 8	4
	D150	13-32		11173377	Control gasket	1
	D250	13-32		505038	Screw, M6 x 45	6
	D300	13-32		310979	Dowel pin	2
	QD25	13-32		11012459	Proportional solenoid, 24 volt	2
	QD26	13-32		11001952	O-ring	2
	QD27	13-32		11028019	Coil kit, 24V, Deutsch connector	2
	QD28	13-32		063172	O-ring	2
	QD29	13-32		11028024	Coil nut	2
	QD80	13-32		11015979	Solenoid valve, 24v	1
	QD81	13-32		11059551	O-ring	1
	QD100	13-32		11133842	NFPE control kit, 24V, CCO	1



Variable displacement pump

(E2)



E103 384E

* = included in overhaul seal kit Q210



Variable displacement pump

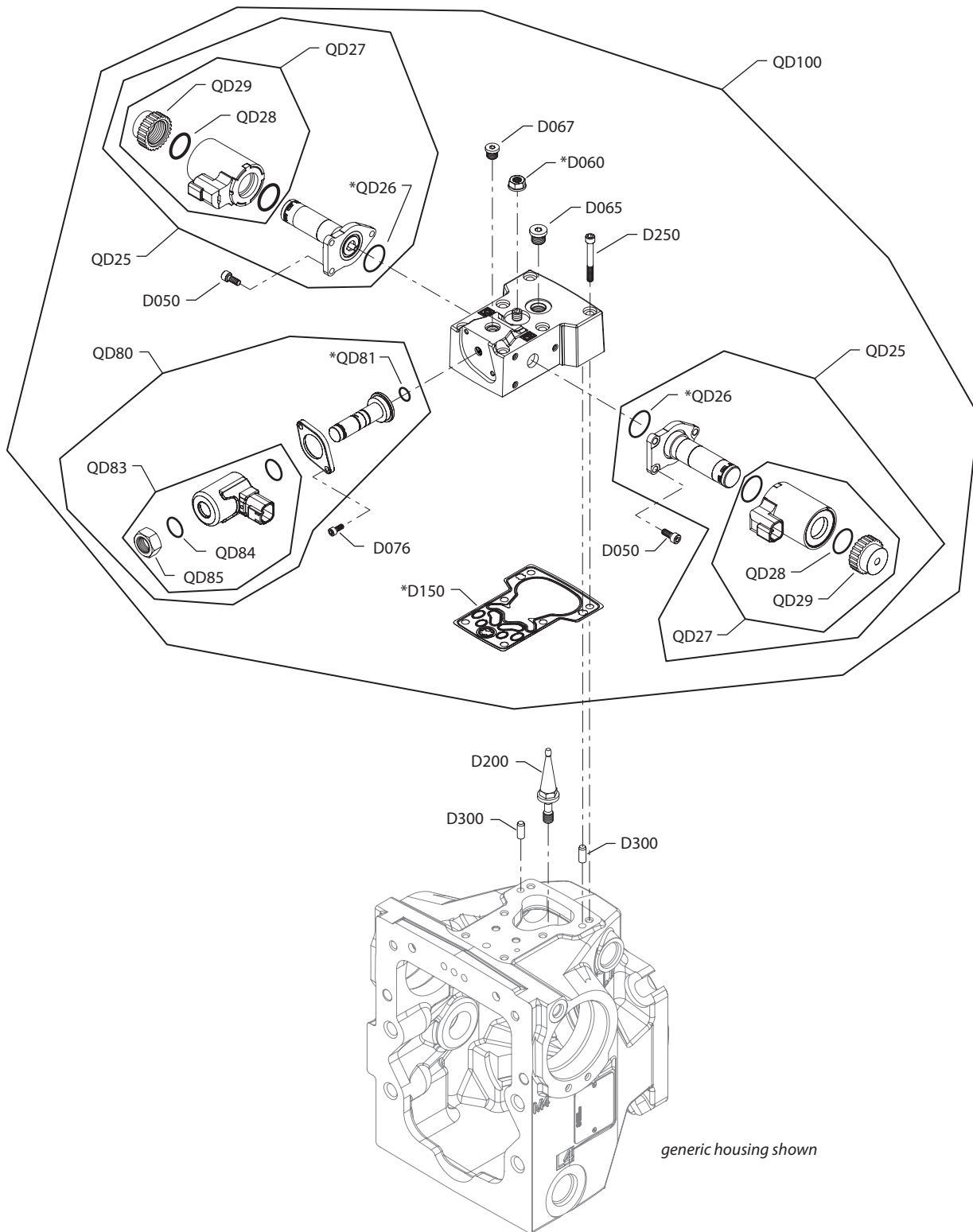
Control

Order Code	Item	Date Begin	Date End	Part Number	Part Name	Qty. per Model/Kit
E2	D050	13-45		716860	Screw M5 x 12	6
	D065	13-45		140642	Plug assembly	1
	D067	13-45		140642	Plug assembly	1
	D076	13-45		067694	Screw, M4 x 10	2
	D150	13-45		11173377	Control gasket	1
	D250	13-45		505038	Screw, M6 x45	6
	D300	13-45		310979	Dowel pin	2
	QD25	13-45		11012457	Proportional solenoid, 12V	2
	QD26	13-45		11001952	O-ring	2
	QD27	13-45		11028018	Coil kit, 12V, Deutsch connector	2
	QD28	13-45		063172	O-ring	2
	QD29	13-45		11027046	Coil nut	2
	QD80	13-45		11129914	Solenoid, 12V, Deutsch connector	1
	QD81	13-45		11152257	O-ring	1
	QD83	13-45		11147301	Coil kit, 12V, Deutsch connector	1
	QD84	13-45		11140393	O-ring	1
	QD85	13-45		11140394	Nut	1
	QD100	13-45		11145115	NFPE kit, 12V, high gain spool, control override	1



Variable displacement pump

(E5 & E6)



E103 422E

* = included in overhaul seal kit Q210



Variable displacement pump

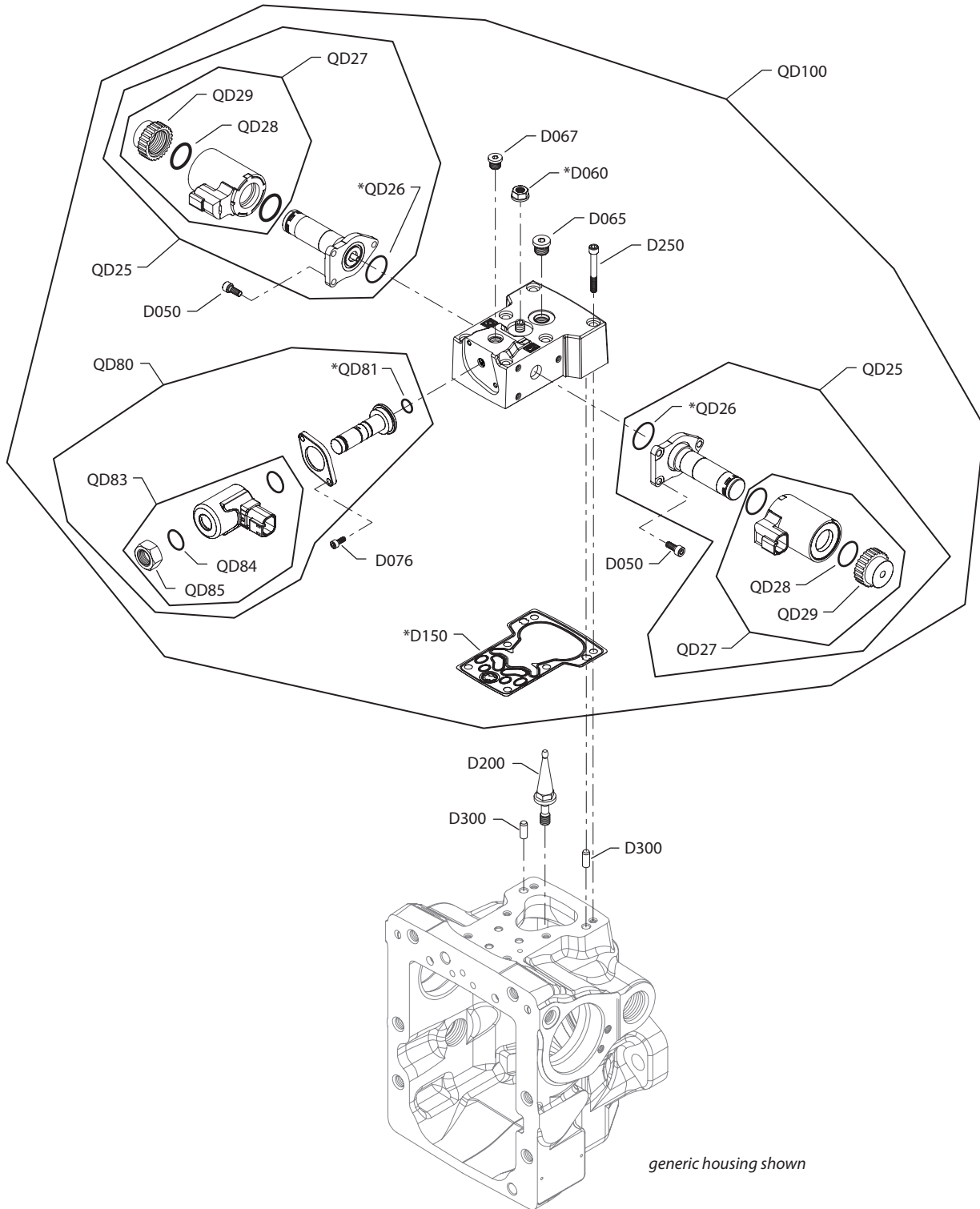
Control

Order Code	Item	Date Begin	Date End	Part Number	Part Name	Qty. per Model/Kit
E5	D050	14-25		716860	Screw M5 x 12	6
	D060	14-25		612291	Seal nut	1
	D065	14-25		140642	Plug assembly	1
	D067	14-25		140642	Plug assembly	1
	D076	14-25		067694	Screw, M4 x 10	2
	D150	14-25		11173377	Control gasket	1
	D200	14-25		11148827	Swashplate feedback link	1
	D250	14-25		505038	Screw, M6 x 45	6
	D300	14-25		310979	Dowel pin	2
	QD25	14-25		11012457	Proportional solenoid, 12V	2
	QD26	14-25		11001952	O-ring	2
	QD27	14-25		11028018	Coil kit, 12V, Deutsch connector	2
	QD28	14-25		063172	O-ring	2
	QD29	14-25		11027046	Coil nut	2
	QD80	14-25		11129914	Solenoid, 12V, Deutsch connector	1
	QD81	14-25		11152257	O-ring	1
	QD83	14-25		11147301	Coil kit, 12V, Deutsch connector	1
	QD84	14-25		11140393	O-ring	1
	QD85	14-25		11140394	Nut	1
	QD100	14-25		11147422	EDC kit, 12V, control override	1
E6	D050	14-25		716860	Screw M5 x 12	6
	D060	14-25		612291	Seal nut	1
	D065	14-25		140642	Plug assembly	1
	D067	14-25		140642	Plug assembly	1
	D076	14-25		067694	Screw, M4 x 10	2
	D150	14-25		11173377	Control gasket	1
	D200	14-25		11148827	Swashplate feedback link	1
	D250	14-25		505038	Screw, M6 x 45	6
	D300	14-25		310979	Dowel pin	2
	QD25	14-25		11012459	Proportional solenoid, 24V	2
	QD26	14-25		11001952	O-ring	2
	QD27	14-25		11028019	Coil kit, 24V, Deutsch connector	2
	QD28	14-25		063172	O-ring	2
	QD29	14-25		11028024	Coil nut	2
	QD80	14-25		11129915	Solenoid, 24V, Deutsch connector	1
	QD81	14-25		11152257	O-ring	1
	QD83	14-25		11147332	Coil kit, 24V, Deutsch connector	1
	QD84	14-25		11140393	O-ring	1
	QD85	14-25		11140394	Nut	1
	QD100	14-25		11147423	EDC kit, 24V, control override	1



Variable displacement pump

(E7 & E8)



generic housing shown

E103 356E

* = included in overhaul seal kit Q210

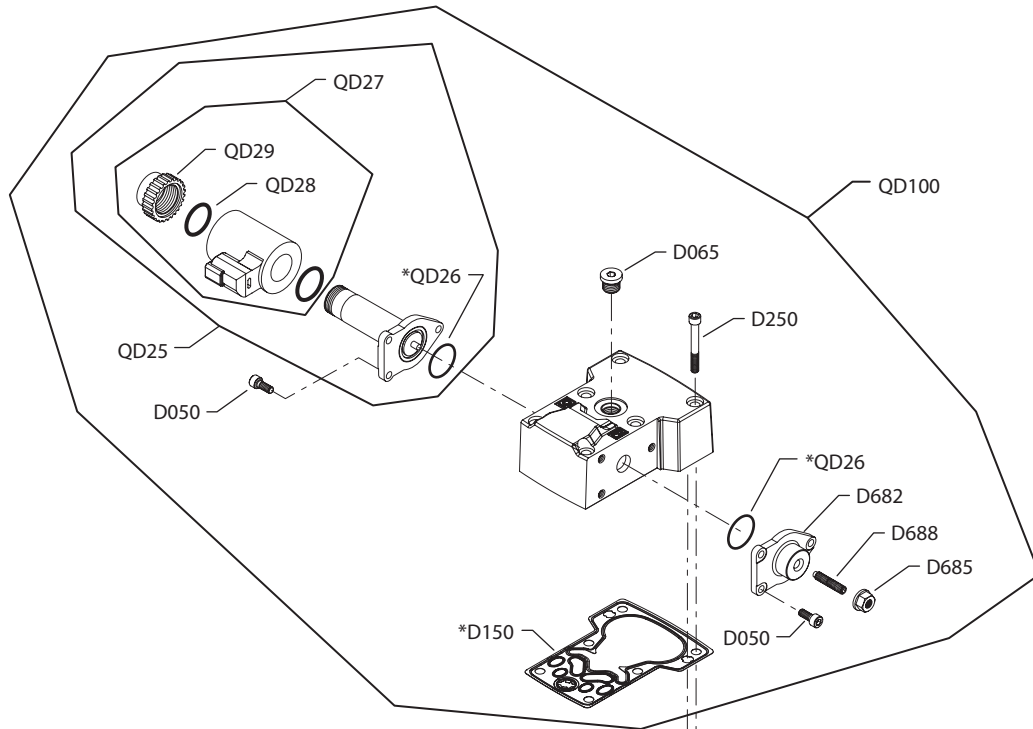

Variable displacement pump
Control

Order Code	Item	Date Begin	Date End	Part Number	Part Name	Qty. per Model/Kit
E7	D050	14-25		716860	Screw, M5 x 12	6
	D060	14-25		612291 (9003508-0008)	Seal nut, M8	1
	D065	14-25		140642	Plug assembly	1
	D067	14-25		140642	Plug assembly	1
	D076	14-25		067694	Screw, M4 x 10	2
	D150	14-25		11173377	Control gasket	1
	D200	14-25		11148827	Swashplate feedback link	1
	D250	14-25		505038	Screw, M6 x 45	6
	D300	14-25		310979	Dowel pin	2
	QD25	14-25		11012457	Proportional solenoid, 12v	2
	QD26	14-25		11001952	O-ring	2
	QD27	14-25		11028018	Coil kit, 12v, Deutsch connector	2
	QD28	14-25		063172	O-ring	2
	QD29	14-25		11027046	Coil nut	2
	QD80	14-25		11129914	Solenoid vale, on/off, 12v	1
	QD81	14-25		11152257	O-ring	1
	QD83	14-25		11147301	Coil kit, 12v	1
	QD84	14-25		11140393	O-ring	1
	QD85	14-25		11140394	Coil nut	1
	QD100	14-25		11147471	EDC kit, 12v, CCO	1
E8	D050	14-25		716860	Screw, M5 x 12	6
	D060	14-25		612291 (9003508-0008)	Seal nut, M8	1
	D065	14-25		140642	Plug assembly	1
	D067	14-25		140642	Plug assembly	1
	D076	14-25		067694	Screw, M4 x 10	2
	D150	14-25		11173377	Control gasket	1
	D200	14-25		11148827	Swashplate feedback link	1
	D250	14-25		505038	Screw, M6 x 45	6
	D300	14-25		310979	Dowel pin	2
	QD25	14-25		11012459	Proportional solenoid, 24v	2
	QD26	14-25		11001952	O-ring	2
	QD27	14-25		11028019	Coil kit, 24v, Deutsch connector	2
	QD28	14-25		063172	O-ring	2
	QD29	14-25		11028024	Coil nut	2
	QD80	14-25		11129915	Solenoid vale, on/off, 24v	1
	QD81	14-25		11152257	O-ring	1
	QD83	14-25		11147332	Coil kit, 24v	1
	QD84	14-25		11140393	O-ring	1
	QD85	14-25		11140394	Coil nut	1
	QD100	14-25		11147472	EDC kit, 24v, CCO	1

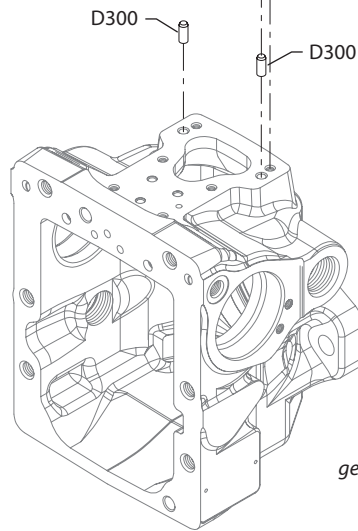


Variable displacement pump

(F1 & F2)



Warning
 This control is for Fan Drive systems only. Use in other systems could result in unintended movement of machine or its elements. Loss of the input signal to this control will cause the pump to produce maximum flow. Contact Danfoss or an authorized distributor with questions regarding the use of this product.



generic housing shown

E101 902E

* = included in overhaul seal kit Q210


Variable displacement pump
Control

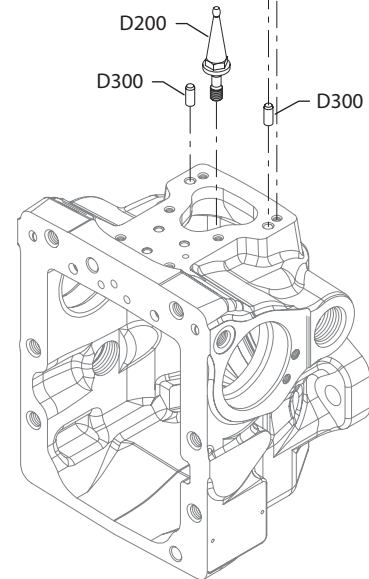
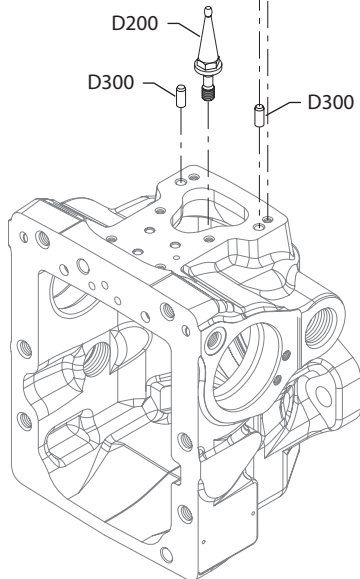
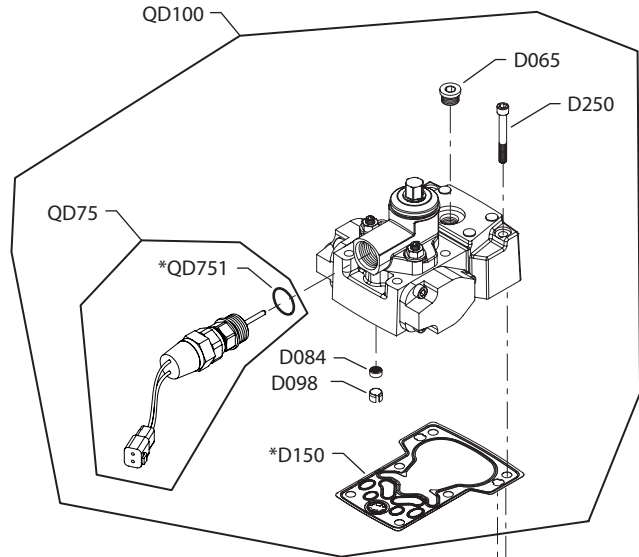
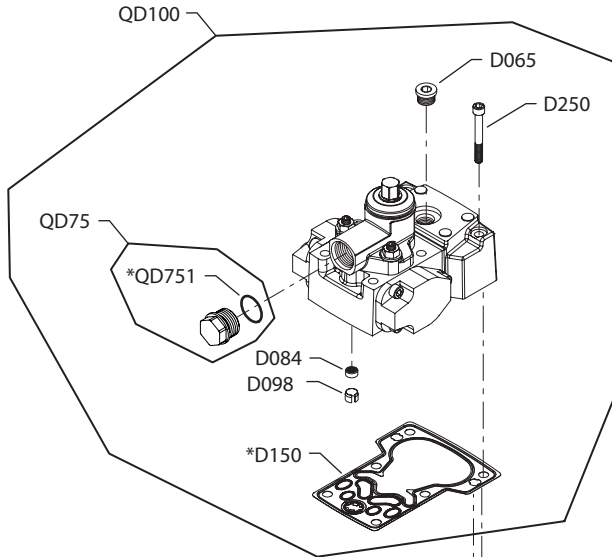
Order Code	Item	Date Begin	Date End	Part Number	Part Name	Qty. per Model/Kit
F1	D050	12-33		716860	Screw, M5 x 12	6
	D065	12-33		140642	Plug assembly	1
	D150	12-33		11173377	Control gasket	1
	D250	12-33		505038	Screw, M6 x 45	6
	D300	12-33		310979	Dowel pin	2
	D682	12-33		11079441	Flange	1
	D685	12-33		612291 (9003508-0008)	Seal nut, M8	1
	D688	12-33		11079453	Adjusting screw	1
	QD25	12-33		11012457	Proportional solenoid, 12v	1
	QD26	12-33		11001952	O-ring	2
	QD27	12-33		11028018	Coil kit, 12v, Deutsch connector	1
	QD28	12-33		063172	O-ring	1
	QD29	12-33		11027046	Coil nut	1
	QD100	12-33		11081306	FDC kit, 12v, Deutsch connector	1
	F2	D050	12-33		716860	Screw, M5 x 12
D065		12-33		140642	Plug assembly	1
D150		12-33		11173377	Control gasket	1
D250		12-33		505038	Screw, M6 x 45	6
D300		12-33		310979	Dowel pin	2
D682		12-33		11079441	Flange	1
D685		12-33		612291 (9003508-0008)	Seal nut, M8	1
D688		12-33		11079453	Adjusting screw	1
QD25		12-33		11012459	Proportional solenoid, 24v	1
QD26		12-33		11001952	O-ring	2
QD27		12-33		11028019	Coil kit, 24v, Deutsch connector	1
QD28		12-33		063172	O-ring	1
QD29		12-33		11028024	Coil nut	1
QD100		12-33		11081307	FDC kit, 24v, Deutsch connector	1



Variable displacement pump

(M1)

(M2)



generic housing shown

E103 357E

* = included in overhaul seal kit Q210



Variable displacement pump

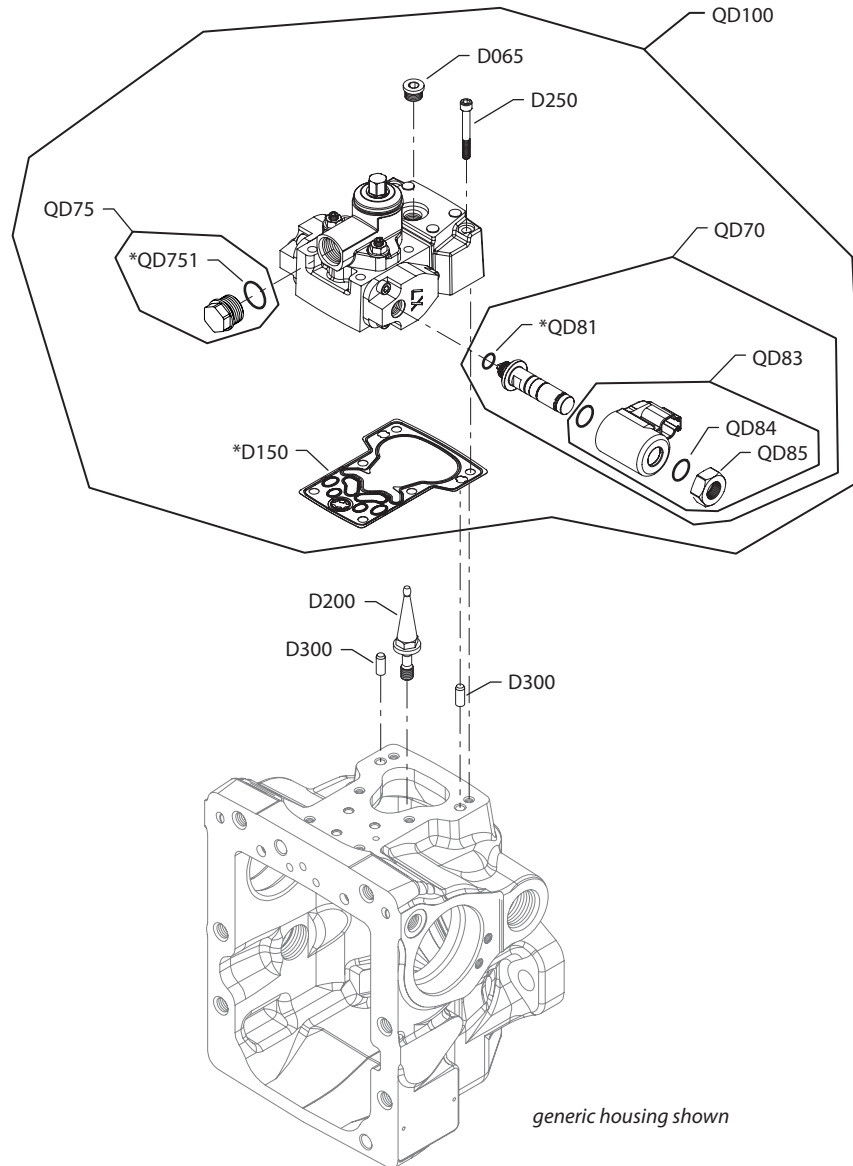
Control

Order Code	Item	Date Begin	Date End	Part Number	Part Name	Qty. per Model/Kit
M1	D065	14-01		140642	Plug assembly	1
	D150	14-01		11173377	Control gasket	1
	D200	14-01		11148827	Swashplate feedback link	1
	D250	14-01		505038	Screw, M6 x 45	6
	D300	14-01		310979	Dowel pin	2
	QD75	14-01		11119332	Spring seat assembly	1
	QD100	14-01		11141225	MDC kit	1
	QD751	14-01		001131 (9004201-5000)	O-ring	1
	M2	D065	14-01		140642	Plug assembly
D150		14-01		11173377	Control gasket	1
D200		14-01		11148827	Swashplate feedback link	1
D250		14-01		505038	Screw, M6 x 45	6
D300		14-01		310979	Dowel pin	2
QD75		14-01		11126847	Spring seat/neutral start switch assembly	1
QD100		14-01		11141236	MDC kit	1
QD751		14-01		001131 (9004201-5000)	O-ring	1



Variable displacement pump

(M3 & M4)



E103 358E

* = included in overhaul seal kit Q210

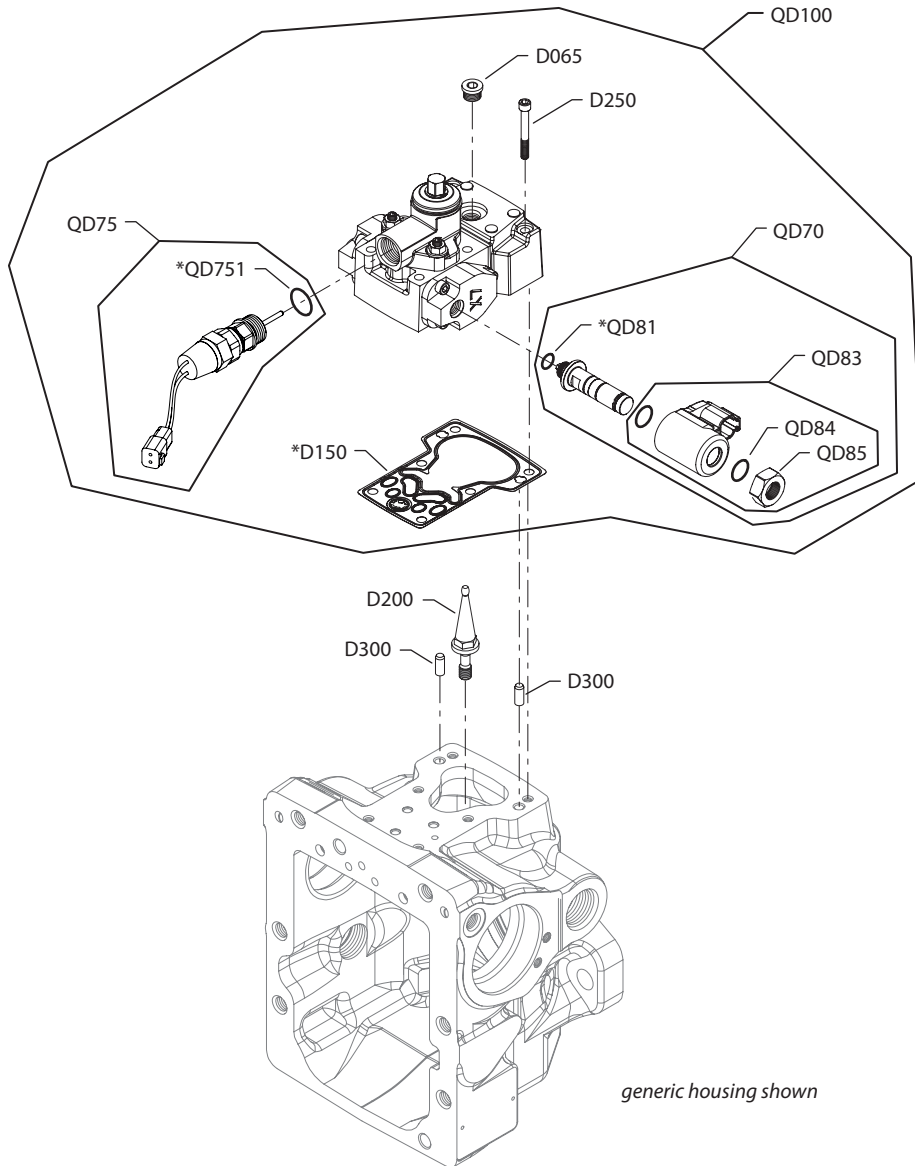

Variable displacement pump
Control

Order Code	Item	Date Begin	Date End	Part Number	Part Name	Qty. per Model/Kit
M3	D065	14-01		140642	Plug assembly	1
	D150	14-01		11173377	Control gasket	1
	D200	14-01		11148827	Swashplate feedback link	1
	D250	14-01		505038	Screw, M6 x 45	6
	D300	14-01		310979	Dowel pin	2
	QD70	14-01		11129916	Solenoid valve, 12v	1
	QD75	14-01		11119332	Spring seat assembly	1
	QD81	14-01		11152257	O-ring	1
	QD83	14-01		11136347	Coil kit, 12v	1
	QD84	14-01		11140393	O-ring	1
	QD85	14-01		11140394	Coil nut	1
	QD100	14-01		11141237	MDC kit, 12v	1
	QD751	14-01		001131 (9004201-5000)	O-ring	1
	M4	D065	14-01		140642	Plug assembly
D150		14-01		11173377	Control gasket	1
D200		14-01		11148827	Swashplate feedback link	1
D250		14-01		505038	Screw, M6 x 45	6
D300		14-01		310979	Dowel pin	2
QD70		14-01		11129917	Solenoid valve, 24v	1
QD75		14-01		11119332	Spring seat assembly	1
QD81		14-01		11152257	O-ring	1
QD83		14-01		11136348	Coil kit, 24v	1
QD84		14-01		11140393	O-ring	1
QD85		14-01		11140394	Coil nut	1
QD100		14-01		11141238	MDC kit, 24v	1
QD751		14-01		001131 (9004201-5000)	O-ring	1



Variable displacement pump

(M5 & M6)



E103 359E

* = included in overhaul seal kit Q210



Variable displacement pump

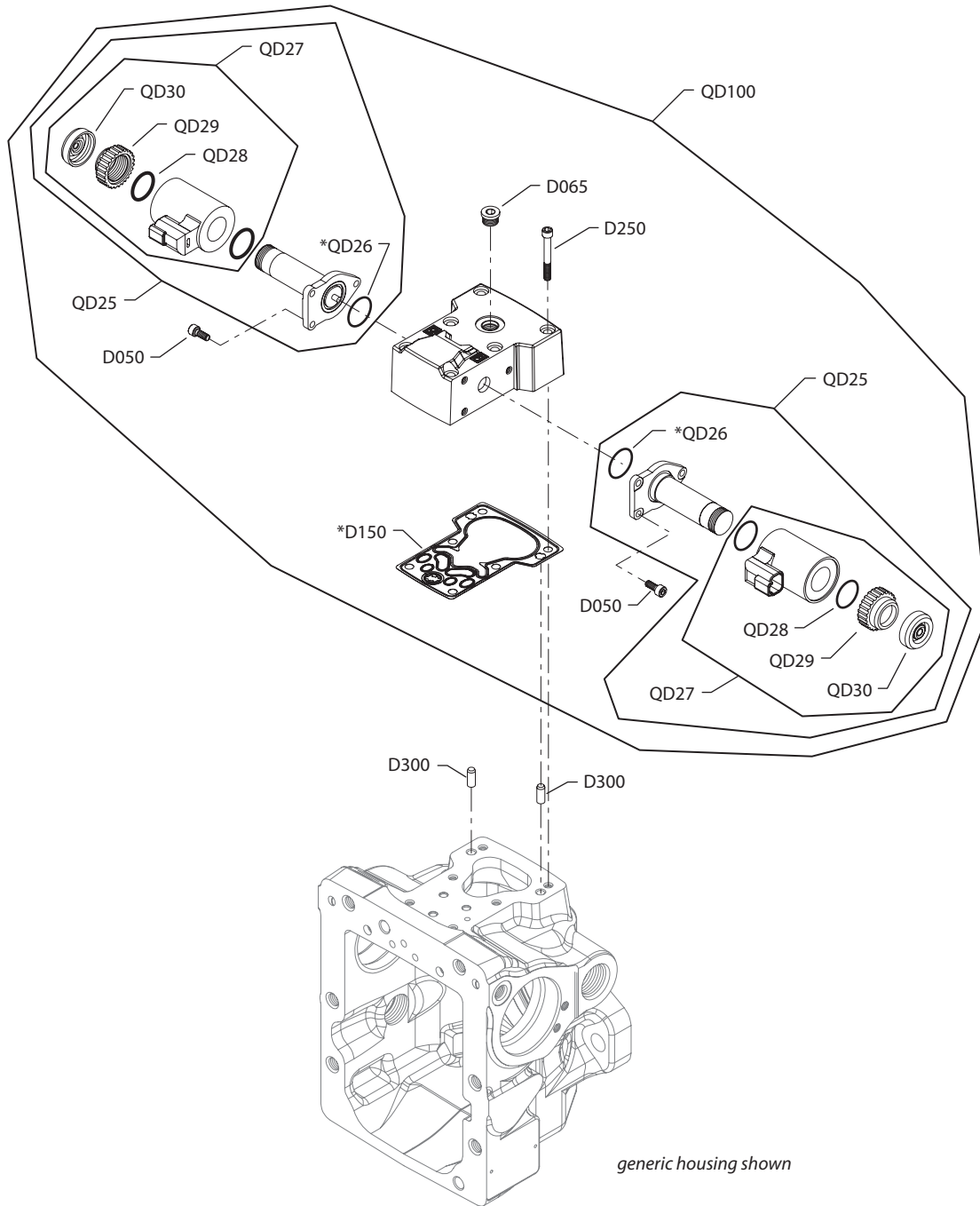
Control

Order Code	Item	Date Begin	Date End	Part Number	Part Name	Qty. per Model/Kit
M5	D065	14-01		140642	Plug assembly	1
	D150	14-01		11173377	Control gasket	1
	D200	14-01		11148827	Swashplate feedback link	1
	D250	14-01		505038	Screw, M6 x 45	6
	D300	14-01		310979	Dowel pin	2
	QD70	14-01		11129916	Solenoid valve, 12v	1
	QD75	14-01		11126847	Spring seat/neutral start switch assembly	1
	QD81	14-01		11152257	O-ring	1
	QD83	14-01		11136347	Coil kit, 12v	1
	QD84	14-01		11140393	O-ring	1
	QD85	14-01		11140394	Coil nut	1
	QD100	14-01		11141239	MDC kit, 12v	1
	QD751	14-01		001131 (9004201-5000)	O-ring	1
	M6	D065	14-01		140642	Plug assembly
D150		14-01		11173377	Control gasket	1
D200		14-01		11148827	Swashplate feedback link	1
D250		14-01		505038	Screw, M6 x 45	6
D300		14-01		310979	Dowel pin	2
QD70		14-01		11129917	Solenoid valve, 24v	1
QD75		14-01		11126847	Spring seat/neutral start switch assembly	1
QD81		14-01		11152257	O-ring	1
QD83		14-01		11136348	Coil kit, 24v	1
QD84		14-01		11140393	O-ring	1
QD85		14-01		11140394	Coil nut	1
QD100		14-01		11141240	MDC kit, 24v	1
QD751		14-01		001131 (9004201-5000)	O-ring	1



Variable displacement pump

(N1 & N2)



E101 703E

* = included in overhaul seal kit Q210



Variable displacement pump

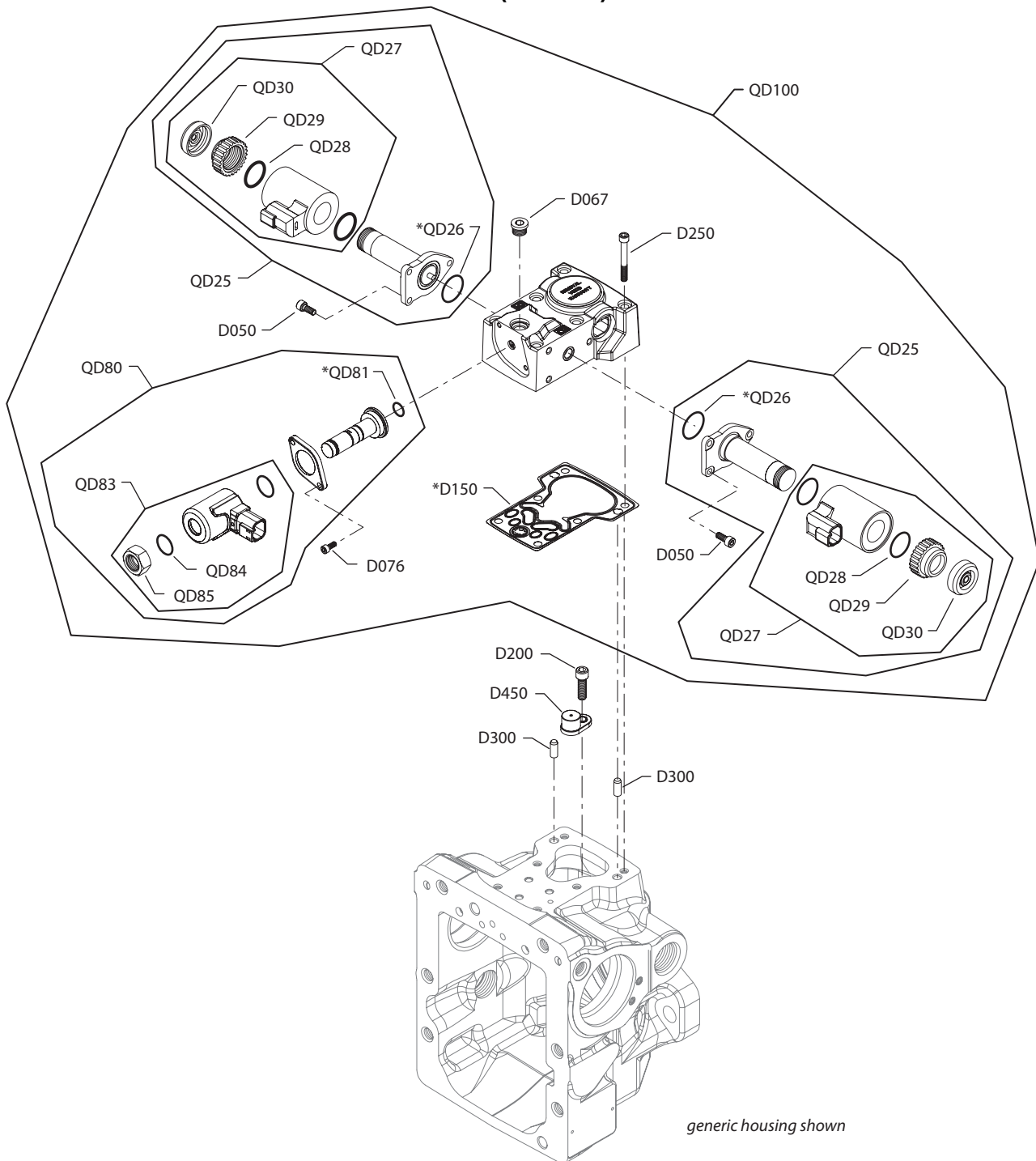
Control

Order Code	Item	Date Begin	Date End	Part Number	Part Name	Qty. per Model/Kit	
N1	D050	16-21		716860	Screw, M5 x 12	6	
	D065	16-21		140642	Plug assembly	1	
	D150	16-21		11173377	Control gasket, H1 (SB-2016-033)	1	
	D250	16-21		505038	Screw, M6 x 45	6	
	D300	16-21		310979	Dowel pin	2	
	QD25	16-21		140750	Proportional solenoid, 12v, Deutsch connector	2	
	QD26	16-21		11001952	O-ring	2	
	QD27	16-21		11004698	Coil kit, 12v, Deutsch connector	2	
	QD28	16-21		063172	O-ring	2	
	QD29	16-21		11004749	Coil nut	2	
	QD30	16-21		11027883	Cap	2	
	QD100	16-21		11147921	NFPE control kit, 12v, manual override, Deutsch conn.	1	
	N2	D050	16-21		716860	Screw, M5 x 12	6
		D065	16-21		140642	Plug assembly	1
D150		16-21		11173377	Control gasket, H1 (SB-2016-033)	1	
D250		16-21		505038	Screw, M6 x 45	6	
D300		16-21		310979	Dowel pin	2	
QD25		16-21		140751	Proportional solenoid, 24v, Deutsch connector	2	
QD26		16-21		11001952	O-ring	2	
QD27		16-21		11004700	Coil kit, 24v, Deutsch connector	2	
QD28		16-21		063172	O-ring	2	
QD29		16-21		11004750	Coil nut	2	
QD30		16-21		11027883	Cap	2	
QD100		16-21		11147925	NFPE control kit, 24v, manual override, Deutsch conn.	1	



Variable displacement pump

(N3 & N4)



generic housing shown

E103 608E

* = included in overhaul seal kit Q210

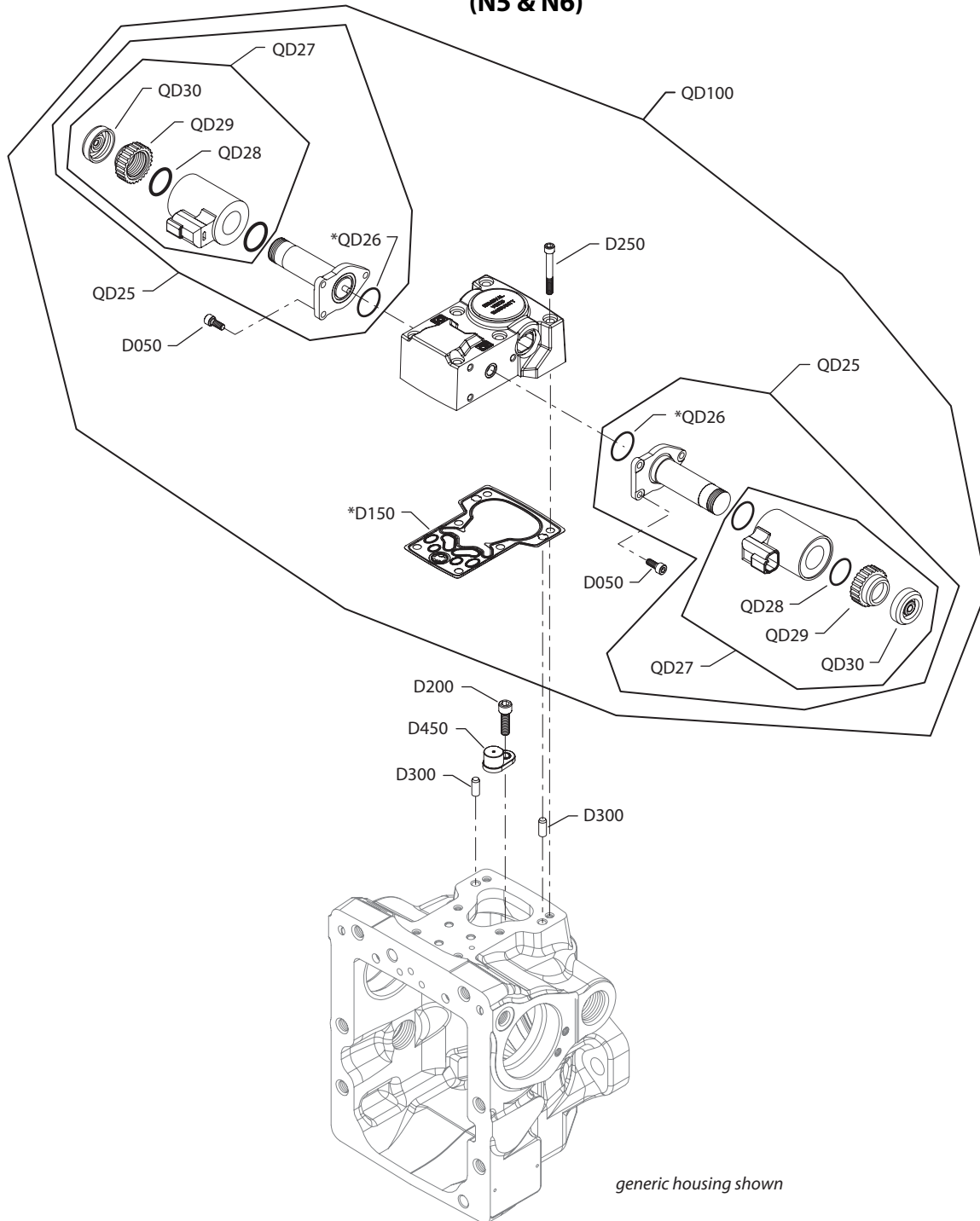

Variable displacement pump
Control

Order Code	Item	Date Begin	Date End	Part Number	Part Name	Qty. per Model/Kit
N3	D050	16-21		716860	Screw, M5 x 12	6
	D067	16-21		140642	Plug assembly	1
	D076	16-21		067694	Screw, M4 x 10	2
	D150	16-21		11173377	Control gasket, H1 (SB-2016-033)	1
	D200	16-21		141472	Screw, special	1
	D250	16-21		505038	Screw, M6 x 45	6
	D300	16-21		310979	Dowel pin	2
	D450	16-21		11003097	Magnetic carrier	1
	QD25	16-21		140750	Proportional solenoid, 12v	2
	QD26	16-21		11001952	O-ring	2
	QD27	16-21		11004698	Coil kit, 12v, Deutsch connector	2
	QD28	16-21		063172	O-ring	2
	QD29	16-21		11004749	Coil nut	2
	QD30	16-21		11027883	Cap	2
	QD80	16-21		11129914	Solenoid, 12V, Deutsch connector	1
	QD81	16-21		11152257	O-ring	1
	QD83	16-21		11147301	Coil kit, 12V, Deutsch connector	1
	QD84	16-21		11140393	O-ring	1
	QD85	16-21		11140394	Nut	1
	QD100	16-21		11147920	NFPE control kit, 12v, CCO	1
N4	D050	16-21		716860	Screw, M5 x 12	6
	D067	16-21		140642	Plug assembly	1
	D076	16-21		067694	Screw, M4 x 10	2
	D150	16-21		11173377	Control gasket, H1 (SB-2016-033)	1
	D200	16-21		141472	Screw, special	1
	D250	16-21		505038	Screw, M6 x 45	6
	D300	16-21		310979	Dowel pin	2
	D450	16-21		11003097	Magnetic carrier	1
	QD25	16-21		140751	Proportional solenoid, 24v	2
	QD26	16-21		11001952	O-ring	2
	QD27	16-21		11004700	Coil kit, 24v, Deutsch connector	2
	QD28	16-21		063172	O-ring	2
	QD29	16-21		11004750	Coil nut	2
	QD30	16-21		11027883	Cap	2
	QD80	16-21		11129915	Solenoid, 24V, Deutsch connector	1
	QD81	16-21		11152257	O-ring	1
	QD83	16-21		11147332	Coil kit, 24V, Deutsch connector	1
	QD84	16-21		11140393	O-ring	1
	QD85	16-21		11140394	Nut	1
	QD100	16-21		11147924	NFPE control kit, 24v, CCO	1



Variable displacement pump

(N5 & N6)



E103 609E

* = included in overhaul seal kit Q210



Variable displacement pump

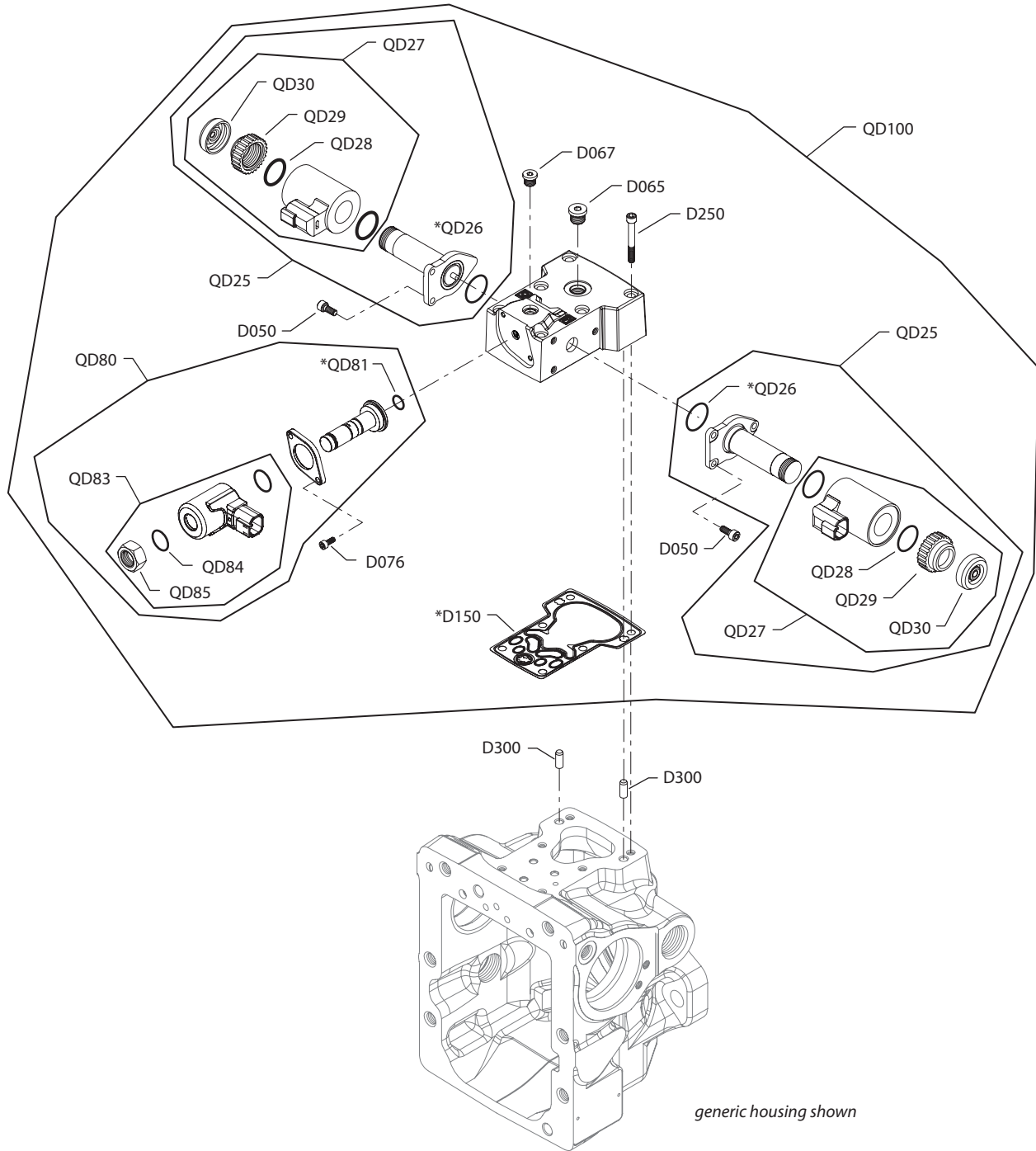
Control

Order Code	Item	Date Begin	Date End	Part Number	Part Name	Qty. per Model/Kit
N5	D050	16-21		716860	Screw, M5 x 12	6
	D150	16-21		11173377	Control gasket, H1 (SB-2016-033)	1
	D200	16-21		140472	Screw, special	1
	D250	16-21		505038	Screw, M6 x 45	6
	D300	16-21		310979	Dowel pin	2
	D450	16-21		11003097	Magnetic carrier	1
	QD25	16-21		140750	Proportional solenoid, 12v	2
	QD26	16-21		11001952	O-ring	2
	QD27	16-21		11004698	Coil kit, 12v, Deutsch connector	2
	QD28	16-21		063172	O-ring	2
	QD29	16-21		11004749	Coil nut	2
	QD30	16-21		11027883	Cap	2
	QD100	16-21		11147918	NFPE control kit, 12v, manual override	1
	N6	D050	16-21		716860	Screw, M5 x 12
D150		16-21		11173377	Control gasket, H1 (SB-2016-033)	1
D200		16-21		141472	Screw, special	1
D250		16-21		505038	Screw, M6 x 45	6
D300		16-21		310979	Dowel pin	2
D450		16-21		11003097	Magnetic carrier	1
QD25		16-21		140751	Proportional solenoid, 24v	2
QD26		16-21		11001952	O-ring	2
QD27		16-21		11004700	Coil kit, 24v, Deutsch connector	2
QD28		16-21		063172	O-ring	2
QD29		16-21		11004750	Coil nut	2
QD30		16-21		11027883	Cap	2
QD100		16-21		11147922	NFPE control kit, 24v, manual override	1



Variable displacement pump

(N7 & N8)



E103 610E

* = included in overhaul seal kit Q210



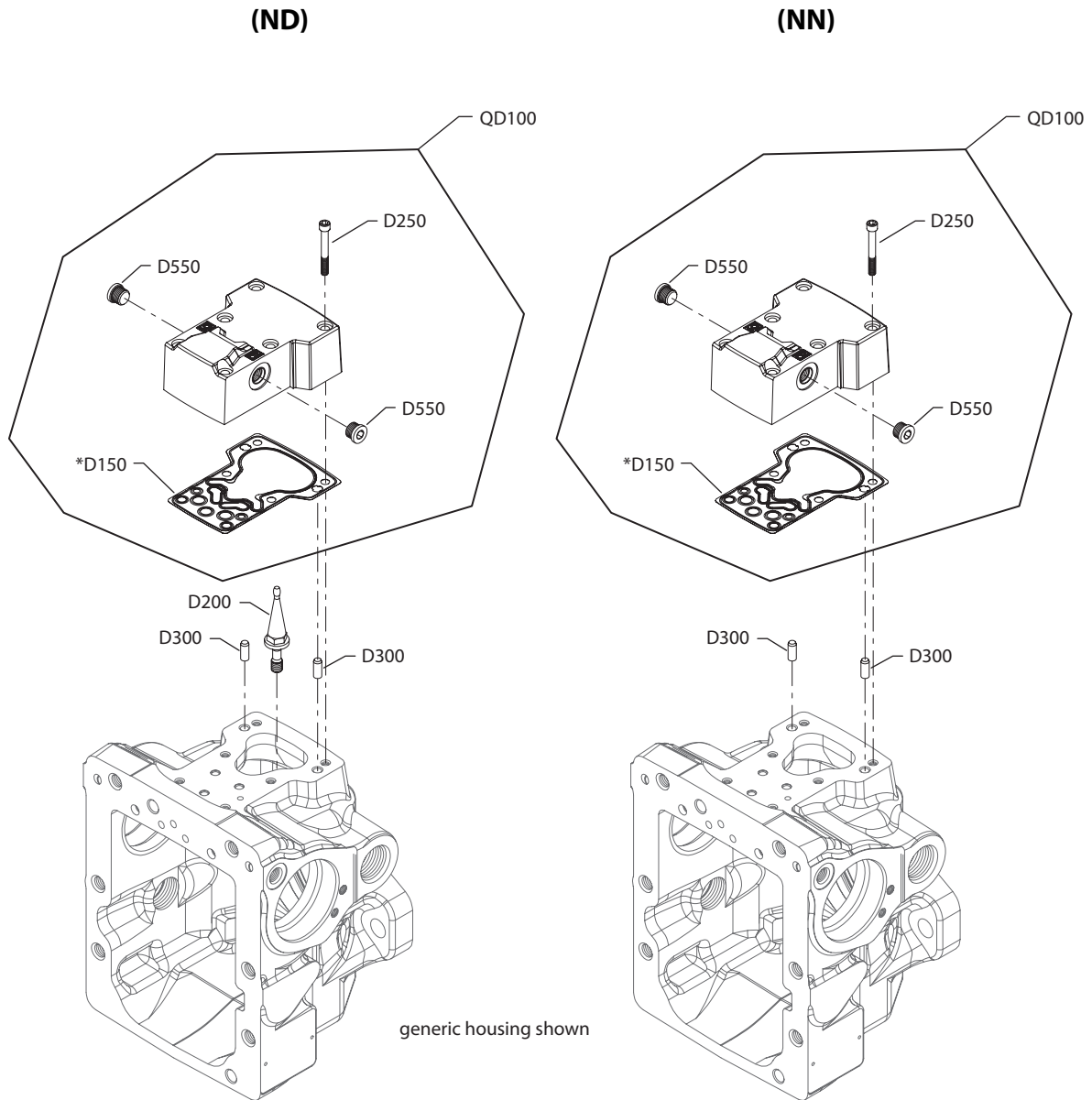
Variable displacement pump

Control

Order Code	Item	Date Begin	Date End	Part Number	Part Name	Qty. per Model/Kit	
N7	D050	16-21		716860	Screw, M5 x 12	6	
	D067	16-21		140642	Plug assembly	1	
	D076	16-21		067694	Screw, M4 x 10	2	
	D150	16-21		11173377	Control gasket, H1 (SB-2016-033)	1	
	D250	16-21		505038	Screw, M6 x 45	6	
	D300	16-21		310979	Dowel pin	2	
	QD25	16-21		140750	Proportional solenoid, 12v	2	
	QD26	16-21		11001952	O-ring	2	
	QD27	16-21		11004698	Coil kit, 12v, Deutsch connector	2	
	QD28	16-21		063172	O-ring	2	
	QD29	16-21		11004749	Coil nut	2	
	QD30	16-21		11027883	Cap	2	
	QD80	16-21		11129914	Solenoid, 12V, Deutsch connector	1	
	QD81	16-21		11152257	O-ring	1	
	QD83	16-21		11147301	Coil kit, 12V, Deutsch connector	1	
	QD84	16-21		11140393	O-ring	1	
	QD85	16-21		11140394	Nut	1	
	QD100	16-21		11147919	NFPE control kit, 12v, CCO	1	
	N8	D050	16-21		716860	Screw, M5 x 12	6
		D067	16-21		140642	Plug assembly	1
D076		16-21		067694	Screw, M4 x 10	2	
D150		16-21		11173377	Control gasket, H1 (SB-2016-033)	1	
D250		16-21		505038	Screw, M6 x 45	6	
D300		16-21		310979	Dowel pin	2	
QD25		16-21		140751	Proportional solenoid, 24v	2	
QD26		16-21		11001952	O-ring	2	
QD27		16-21		11004700	Coil kit, 24v, Deutsch connector	2	
QD28		16-21		063172	O-ring	2	
QD29		16-21		11004750	Coil nut	2	
QD30		16-21		11027883	Cap	2	
QD80		16-21		11129915	Solenoid, 24V, Deutsch connector	1	
QD81		16-21		11152257	O-ring	1	
QD83		16-21		11147332	Coil kit, 24V, Deutsch connector	1	
QD84		16-21		11140393	O-ring	1	
QD85		16-21		11140394	Nut	1	
QD100		16-21		11147923	NFPE control kit, 24v, CCO	1	



Variable displacement pump



E103 360E

* = included in overhaul seal kit Q210



Variable displacement pump

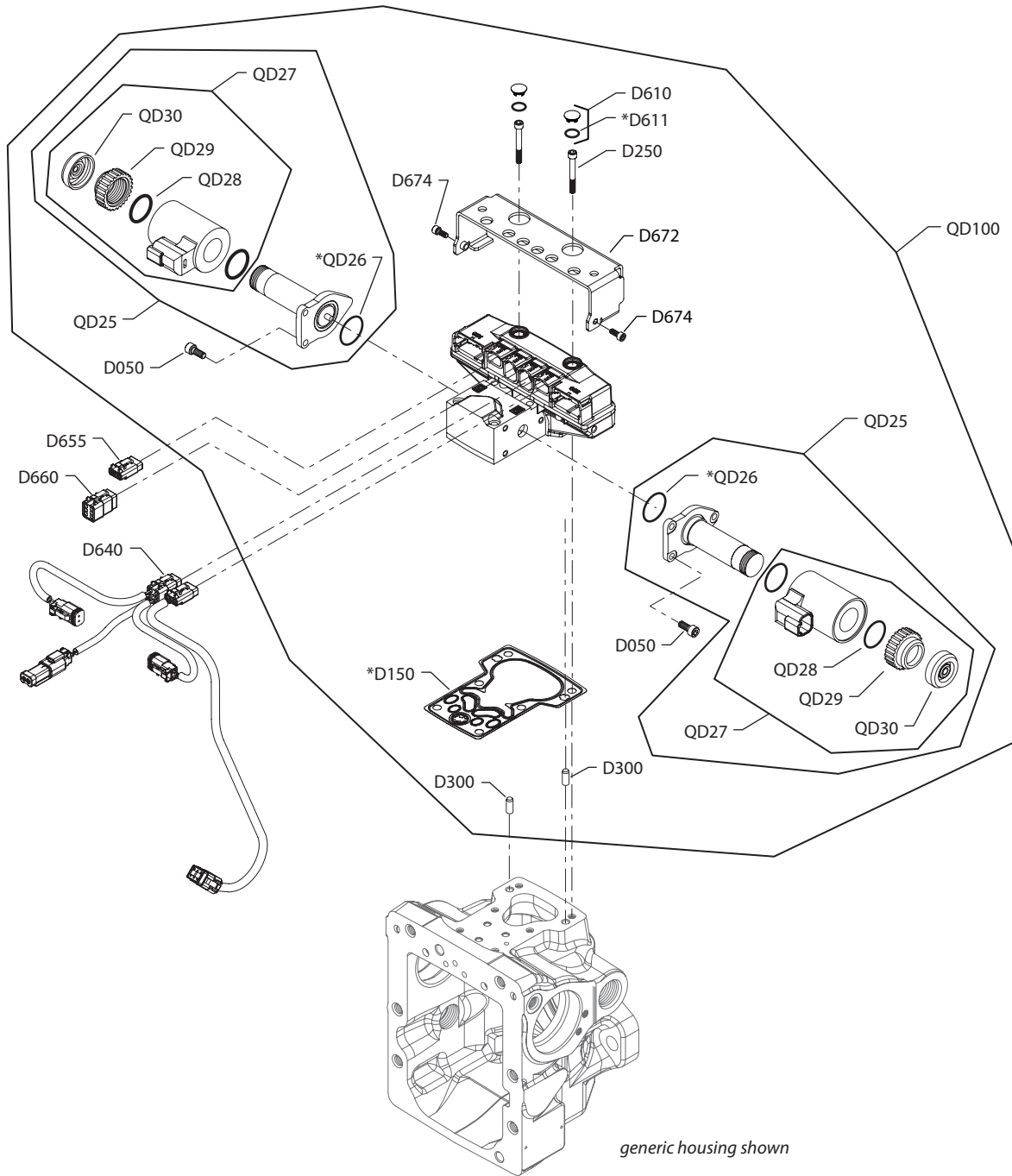
Control

Order Code	Item	Date Begin	Date End	Part Number	Part Name	Qty. per Model/Kit
ND	D150	15-11		11173377	Control gasket	1
	D200	15-11		11148827	Swashplate feedback link	1
	D250	15-11		505038	Screw, M6 x 45	6
	D300	15-11		310979	Dowel pin	2
	D550	15-11		140644	Plug assembly	2
	QD100	15-11		11121984	Control cover kit	1
NN	D150	13-38		11173377	Control gasket	1
	D250	13-38		505038	Screw, M6 x 45	6
	D300	13-38		310979	Dowel pin	2
	D550	13-38		140644	Plug assembly	2
	QD100	13-38		11121984	Control cover kit	1



Variable displacement pump

(P6 & P7)



generic housing shown

E103 611E

* = included in overhaul seal kit Q210

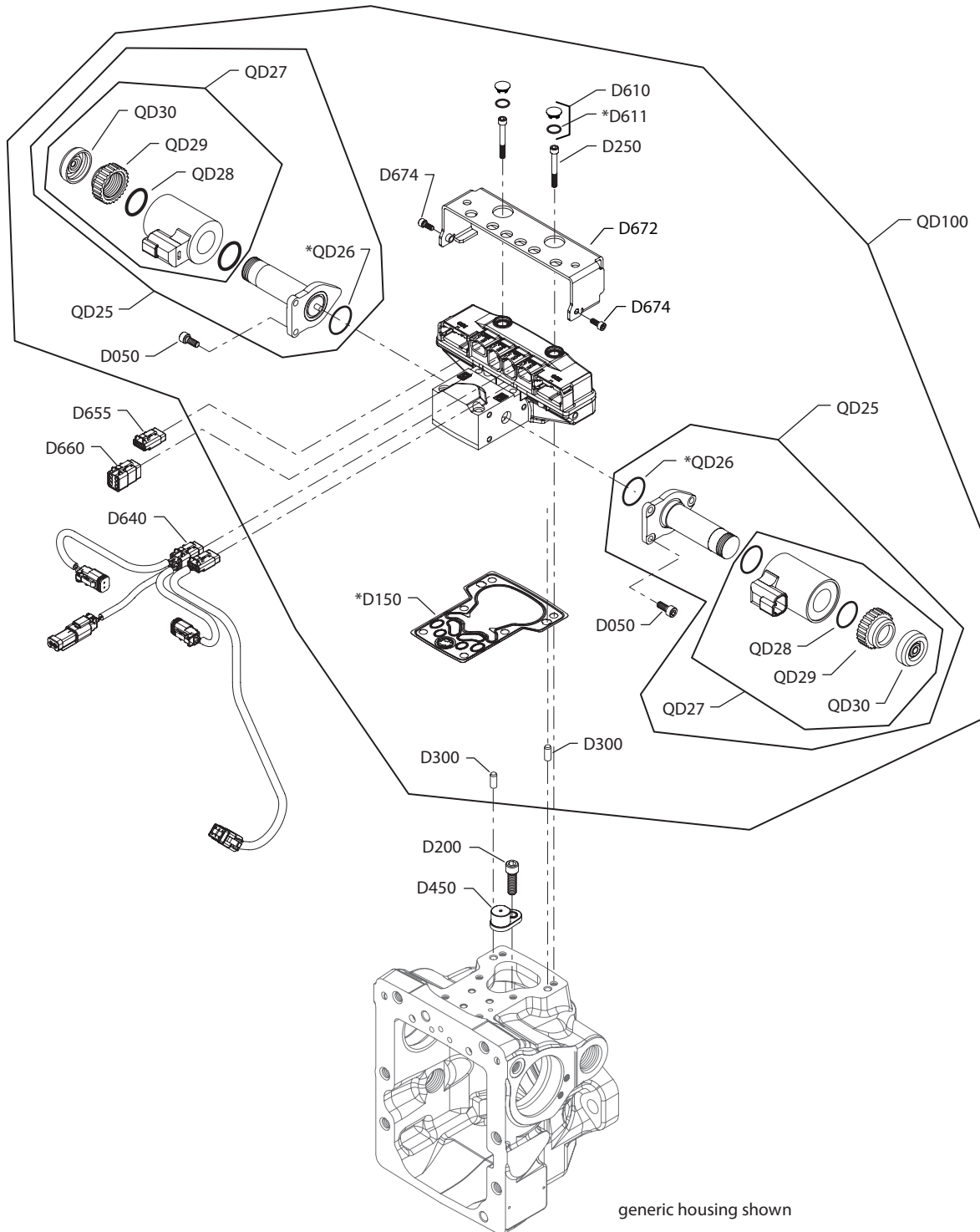

Variable displacement pump
Control

Order Code	Item	Date Begin	Date End	Part Number	Part Name	Qty. per Model/Kit	
P6	D050	10-04		716860	Screw, M5 x 12	6	
	D150	10-04		11173377	Control gasket, H1 (SB-2016-033)	1	
	D250	10-04		505038	Screw, M6 x 45	6	
	D300	10-04		11036469	Dowel pin	2	
	D610	10-04		11000467	Plug assembly	2	
	D611	10-04		11066774	O-ring	2	
	D640	10-04		11023348	AC wiring harness	1	
	D655	10-04		11084827	Blank, connector DTM 06-3S	1	
	D660	10-04		11084822	Blank, connector DTM 06-6S	1	
	D672	10-04		11151875	Protection	1	
	D674	10-04		716860	Screw, M5 x 12	2	
	QD25	10-04		140750	Proportional solenoid, 12 volt	2	
	QD26	10-04		11001952	O-ring	2	
	QD27	10-04		11004698	Coil kit, 12v, Deutsch connector	2	
	QD28	10-04		063172	O-ring	2	
	QD29	10-04		11004749	Coil nut	2	
	QD30	10-04		11027883	Cap	2	
	QD100	10-04		11147941	Automotive control kit, 12v, manual override	1	
	P7	D050	10-04		716860	Screw, M5 x 12	6
		D150	10-04		11173377	Control gasket, H1 (SB-2016-033)	1
D250		10-04		505038	Screw, M6 x 45	6	
D300		10-04		11036469	Dowel pin	2	
D610		10-04		11000467	Plug assembly	2	
D611		10-04		11066774	O-ring	2	
D640		10-04		11023348	AC wiring harness	1	
D655		10-04		11084827	Blank, connector DTM 06-3S	1	
D660		10-04		11084822	Blank, connector DTM 06-6S	1	
D672		10-04		11151875	Protection	1	
D674		10-04		716860	Screw, M5 x 12	2	
QD25		10-04		140751	Proportional solenoid, 24 volt	2	
QD26		10-04		11001952	O-ring	2	
QD27		10-04		11004700	Coil kit, 24v, Deutsch connector	2	
QD28		10-04		063172	O-ring	2	
QD29		10-04		11004749	Coil nut	2	
QD30		10-04		11027883	Cap	2	
QD100		10-04		11147943	Automotive control kit, 24v, manual override	1	



Variable displacement pump

(P8 & P9)



generic housing shown

E103 612E

* = included in overhaul seal kit Q210



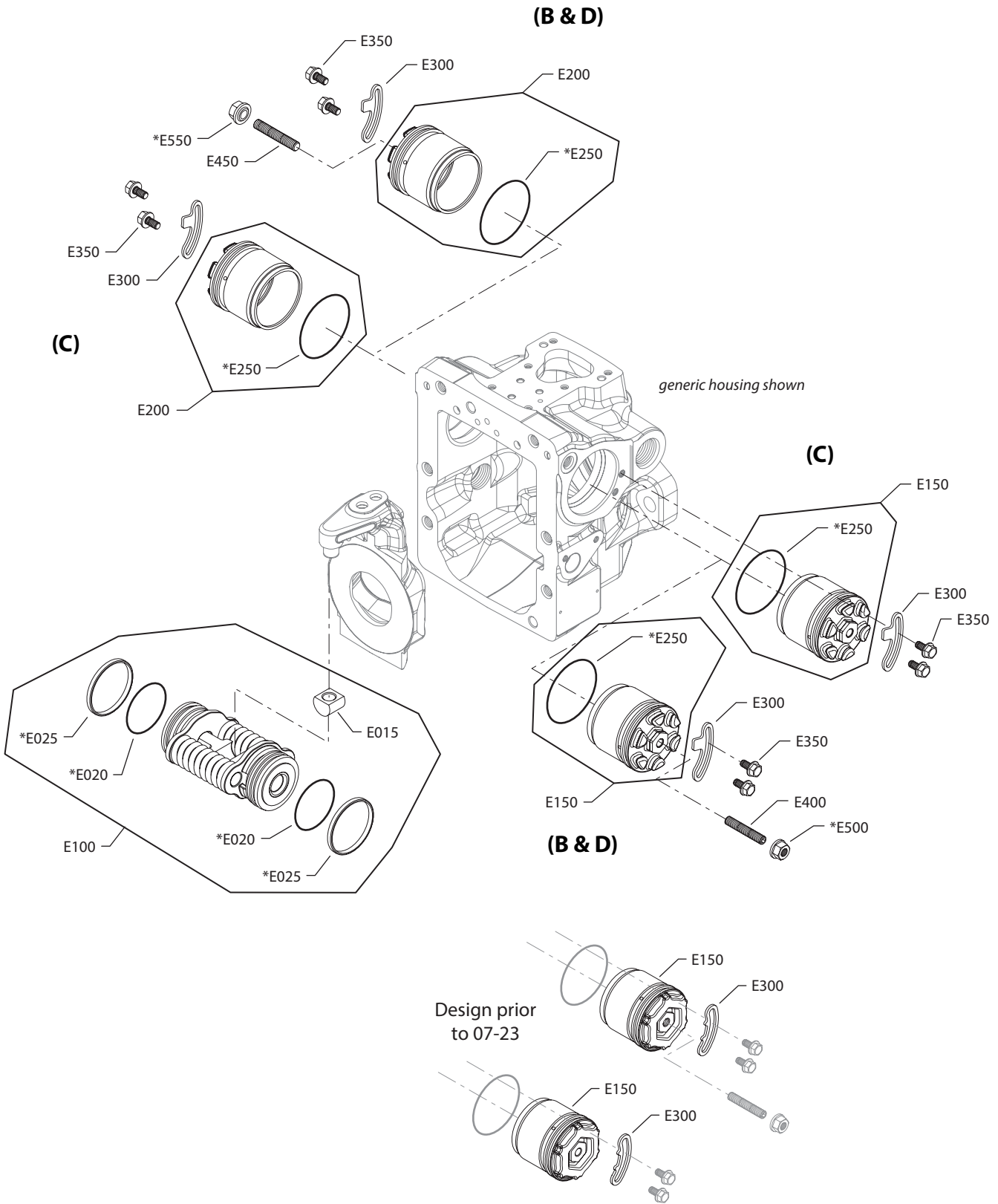
Variable displacement pump

Control

Order Code	Item	Date Begin	Date End	Part Number	Part Name	Qty. per Model/Kit
P8	D050	10-04		716860	Screw, M5 x 12	6
	D150	10-04		11173377	Control gasket, H1 (SB-2016-033)	1
	D200	16-21		141472	Screw, special	1
	D250	10-04		505038	Screw, M6 x 45	6
	D300	10-04		11036469	Dowel pin	2
	D450	16-21		11003097	Magnetic carrier	1
	D610	10-04		11000467	Plug assembly	2
	D611	10-04		11066774	O-ring	2
	D640	10-04		11023348	AC wiring harness	1
	D655	10-04		11084827	Blank, connector DTM 06-3S	1
	D660	10-04		11084822	Blank, connector DTM 06-6S	1
	D672	10-04		11151875	Protection	1
	D674	10-04		716860	Screw, M5 x 12	2
	QD25	10-04		140750	Proportional solenoid, 12 volt	2
	QD26	10-04		11001952	O-ring	2
	QD27	10-04		11004698	Coil kit, 12v, Deutsch connector	2
	QD28	10-04		063172	O-ring	2
	QD29	10-04		11004749	Coil nut	2
	QD30	10-04		11027883	Cap	2
	QD100	10-04		11147940	Automotive control kit, 12v, manual override	1
P9	D050	10-04		716860	Screw, M5 x 12	6
	D150	10-04		11173377	Control gasket, H1 (SB-2016-033)	1
	D200	16-21		141472	Screw, special	1
	D250	10-04		505038	Screw, M6 x 45	6
	D300	10-04		11036469	Dowel pin	2
	D450	16-21		11003097	Magnetic carrier	1
	D610	10-04		11000467	Plug assembly	2
	D611	10-04		11066774	O-ring	2
	D640	10-04		11023348	AC wiring harness	1
	D655	10-04		11084827	Blank, connector DTM 06-3S	1
	D660	10-04		11084822	Blank, connector DTM 06-6S	1
	D672	10-04		11151875	Protection	1
	D674	10-04		716860	Screw, M5 x 12	2
	QD25	10-04		140751	Proportional solenoid, 24 volt	2
	QD26	10-04		11001952	O-ring	2
	QD27	10-04		11004700	Coil kit, 24v, Deutsch connector	2
	QD28	10-04		063172	O-ring	2
	QD29	10-04		11004749	Coil nut	2
	QD30	10-04		11027883	Cap	2
	QD100	10-04		11147942	Automotive control kit, 24v, manual override	1



Variable displacement pump



E100 941E

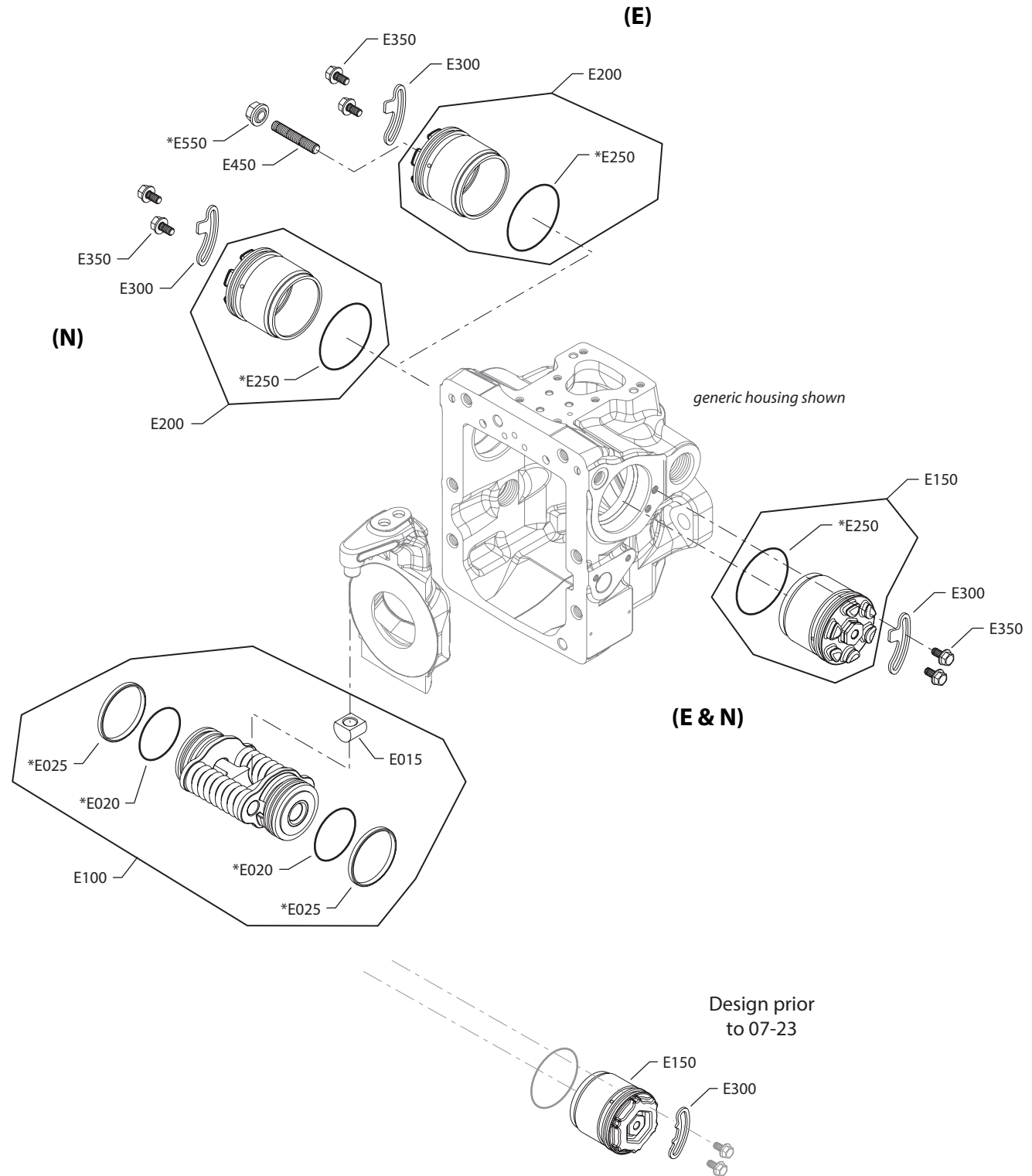
* = included in overhaul seal kit Q210


Variable displacement pump
Displacement limitation

Order Code	Item	Date Begin	Date End	Part Number	Part Name	Qty. per Model/Kit
B	E015	12-21		11014805	Slider block (SB-2011-020)	1
	E015	07-19	12-20	141939	Slider block	1
	E020	07-19		5000732	O-ring	2
	E025	07-19		11028034	Piston seal ring (SB-2007-026)	2
	E100	12-21		11094107	Servo piston assembly (SB-2011-020)	1
	E100	07-19	12-20	11098278	Servo piston assembly replacement kit	1
	E150	07-19		11059648	Servo cylinder assembly, adjustable (SB-2007-004)	1
	E200	07-19		11059648	Servo cylinder assembly, adjustable (SB-2007-004)	1
	E250	07-19		5000709	O-ring	2
	E300	07-23		11013910	Locking plate	2
	E300	07-19	07-22	141940	Locking plate (SB-2007-004)	2
	E350	07-19		508438	Screw, M6 x 12	4
	E400	07-19		5000747	Set screw, M8 x 45	1
	E450	07-19		5000747	Set screw, M8 x 45	1
	E500	07-19		505412 (9003509-0008)	Seal nut, M8	1
	E550	07-19		505412 (9003509-0008)	Seal nut, M8	1
	C	E015	12-21		11014805	Slider block (SB-2011-020)
E015		07-19	12-20	141939	Slider block	1
E020		07-19		5000732	O-ring	2
E025		07-19		11028034	Piston seal ring (SB-2007-026)	2
E100		12-21		11094283	Servo piston assembly, nested spring (SB-2011-020)	1
E100		07-19	12-20	11098279	Servo piston assembly replacement kit	1
E150		07-30		11059647	Servo cylinder assembly (SB-2007-004)	1
E200		07-30		11059647	Servo cylinder assembly (SB-2007-004)	1
E250		07-19		5000709	O-ring	2
E300		07-30		11013910	Locking plate	2
E300		07-19	07-29	141940	Locking plate (SB-2007-004)	2
E350		07-19		508438	Screw, M6 x 12	4
D		E015	12-21		11014805	Slider block (SB-2011-020)
	E015	07-19	12-20	141939	Slider block	1
	E020	07-19		5000732	O-ring	2
	E025	07-19		11028034	Piston seal ring (SB-2007-026)	2
	E100	12-21		11094283	Servo piston assembly, nested spring (SB-2011-020)	1
	E100	07-19	12-20	11098279	Servo piston assembly replacement kit	1
	E150	07-19		11059648	Servo cylinder assembly, adjustable (SB-2007-004)	1
	E200	07-19		11059648	Servo cylinder assembly, adjustable (SB-2007-004)	1
	E250	07-19		5000709	O-ring	2
	E300	07-23		11013910	Locking plate	2
	E300	07-19	07-22	141940	Locking plate (SB-2007-004)	2
	E350	07-19		508438	Screw, M6 x 12	4
	E400	07-19		5000747	Set screw, M8 x 45	1
	E450	07-19		5000747	Set screw, M8 x 45	1
	E500	07-19		505412 (9003509-0008)	Seal nut, M8	1
	E550	07-19		505412 (9003509-0008)	Seal nut, M8	1



Variable displacement pump



E101 975E

* = included in overhaul seal kit Q210



Variable displacement pump

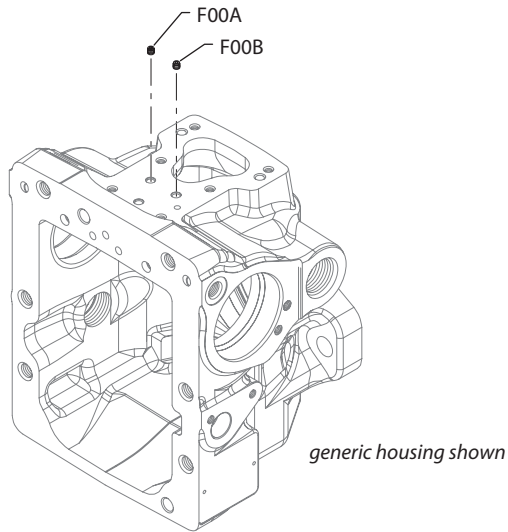
Displacement limitation

Order Code	Item	Date Begin	Date End	Part Number	Part Name	Qty. per Model/Kit
E	E015	15-07		11014805	Slider block	1
	E020	15-07		5000732	O-ring	2
	E025	15-07		11028034	Piston seal ring	2
	E100	15-07		11094283	Servo piston assembly, nested spring	1
	E150	15-07		11059647	Servo cylinder assembly	1
	E200	15-07		11059648	Servo cylinder assembly, adjustable	1
	E250	15-07		5000709	O-ring	2
	E300	15-07		11013910	Locking plate	2
	E350	15-07		508438	Screw, M6 x 12	4
	E450	15-07		719401	Set screw, M8 x 50	1
	E550	15-07		505412 (9003509-0008)	Seal nut, M8	1
	N	E015	12-21		11014805	Slider block (SB-2011-020)
E015		07-19	12-20	141939	Slider block	1
E020		07-19		5000732	O-ring	2
E025		07-19		11028034	Piston seal ring (SB-2007-026)	2
E100		12-21		11094107	Servo piston assembly (SB-2011-020)	1
E100		07-19	12-20	11098278	Servo piston assembly replacement kit	1
E150		07-30		11059647	Servo cylinder assembly (SB-2007-004)	1
E200		07-30		11059647	Servo cylinder assembly (SB-2007-004)	1
E250		07-19		5000709	O-ring	2
E300		07-30		11013910	Locking plate	2
E300		07-19	07-29	141940	Locking plate (SB-2007-004)	2
E350		07-19		508438	Screw	4

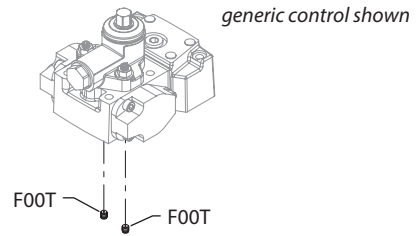


Variable displacement pump

(C1 & C2)

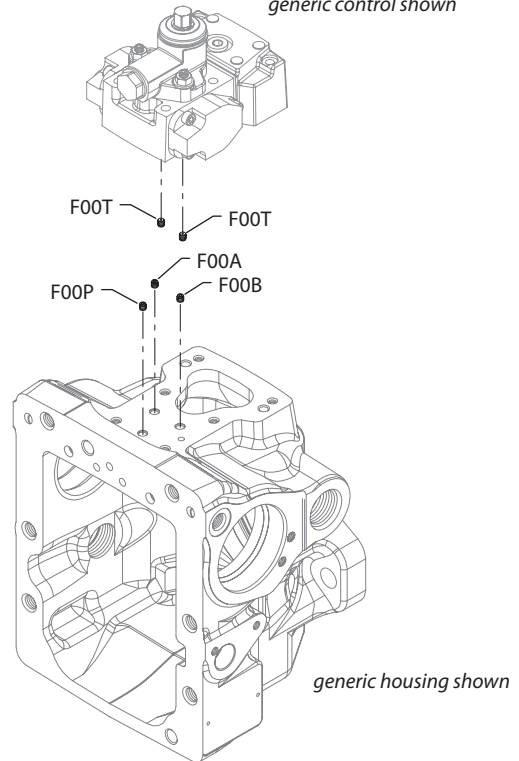


(C6 & C7)



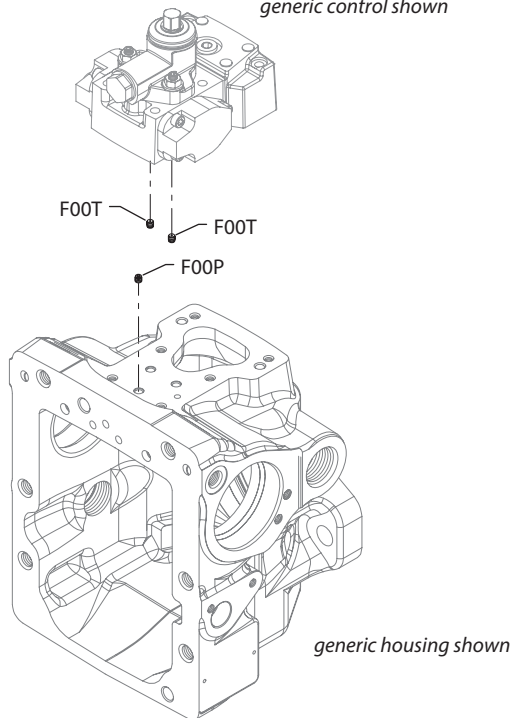
(D4 & D5)

generic control shown



(C8, C9, D1, D2 & D3)

generic control shown

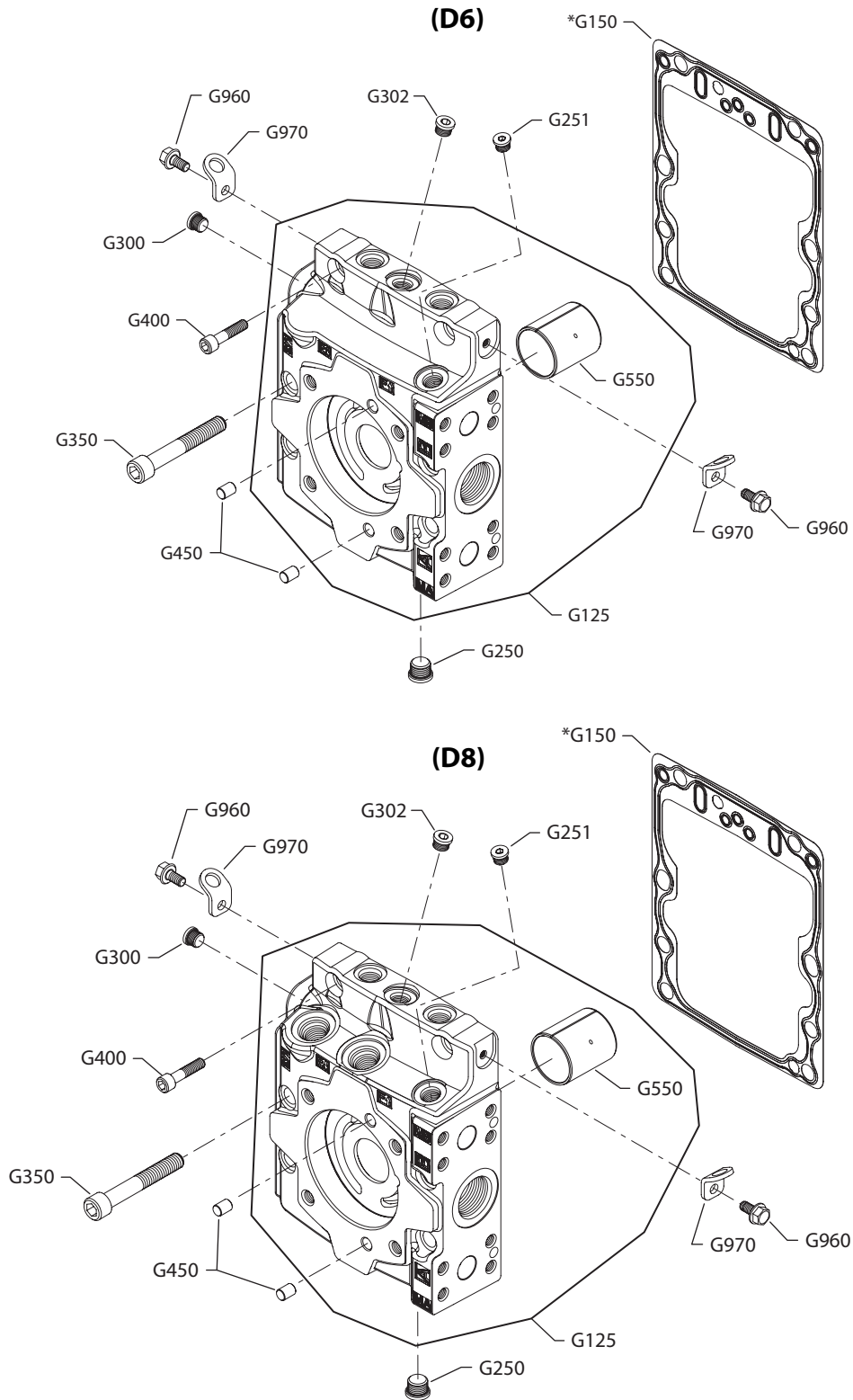



Variable displacement pump
Orifice

Order Code	Item	Date Begin	Date End	Part Number	Part Name	Qty. per Model/Kit
C1	F00A	10-48		140611	Orifice, 0.8, M6 x 0.75 mm	1
	F00B	10-48		140611	Orifice, 0.8, M6 x 0.75 mm	1
C2	F00A	10-48		140754	Orifice, 1.3, M6 x 0.75 mm	1
	F00B	10-48		140754	Orifice, 1.3, M6 x 0.75 mm	1
C3				No parts		
C6	F00T	14-44		11151734	Orifice, 1.0 M6 x 0.75 mm	2
C7	F00T	14-44		140754	Orifice, 1.3, M6 x 0.75 mm	2
C8	F00P	14-44		140611	Orifice, 0.8 M6 x 0.75 mm	1
	F00T	14-44		11151733	Orifice, 0.6 M6 x 0.75 mm	2
C9	F00P	14-44		11151734	Orifice, 1.0 M6 x 0.75 mm	1
	F00T	14-44		11151733	Orifice, 0.6 M6 x 0.75 mm	2
D1	F00P	14-44		11151734	Orifice, 1.0 M6 x 0.75 mm	1
	F00T	14-44		140611	Orifice, 0.8 M6 x 0.75 mm	2
D2	F00P	14-44		140754	Orifice, 1.3, M6 x 0.75 mm	1
	F00T	14-44		140611	Orifice, 0.8 M6 x 0.75 mm	2
D3	F00P	14-44		140754	Orifice, 1.3, M6 x 0.75 mm	1
	F00T	14-44		11151734	Orifice, 1.0 M6 x 0.75 mm	2
D4	F00A	14-44		140754	Orifice, 1.3, M6 x 0.75 mm	1
	F00B	14-44		140754	Orifice, 1.3, M6 x 0.75 mm	1
	F00P	14-44		140754	Orifice, 1.3, M6 x 0.75 mm	1
	F00T	14-44		11151734	Orifice, 1.0 M6 x 0.75 mm	2
D5	F00A	14-44		140611	Orifice, 0.8 M6 x 0.75 mm	1
	F00B	14-44		140611	Orifice, 0.8 M6 x 0.75 mm	1
	F00P	14-44		11151733	Orifice, 0.6 M6 x 0.75 mm	1
	F00T	14-44		11151733	Orifice, 0.6 M6 x 0.75 mm	2



Variable displacement pump



E100 942E

* = included in overhaul seal kit Q210



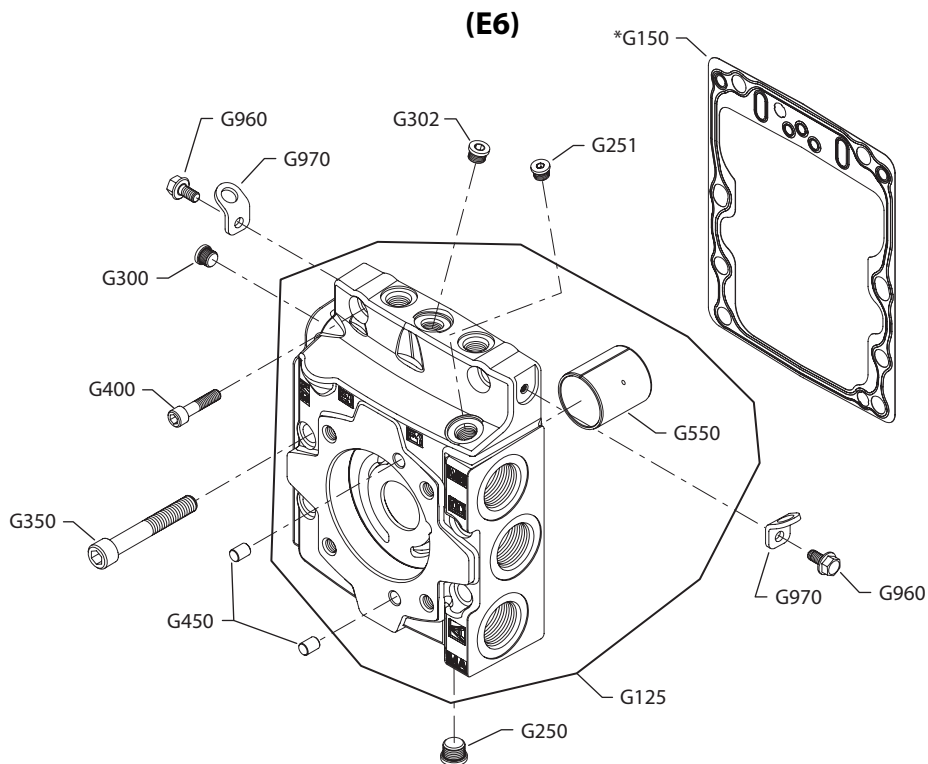
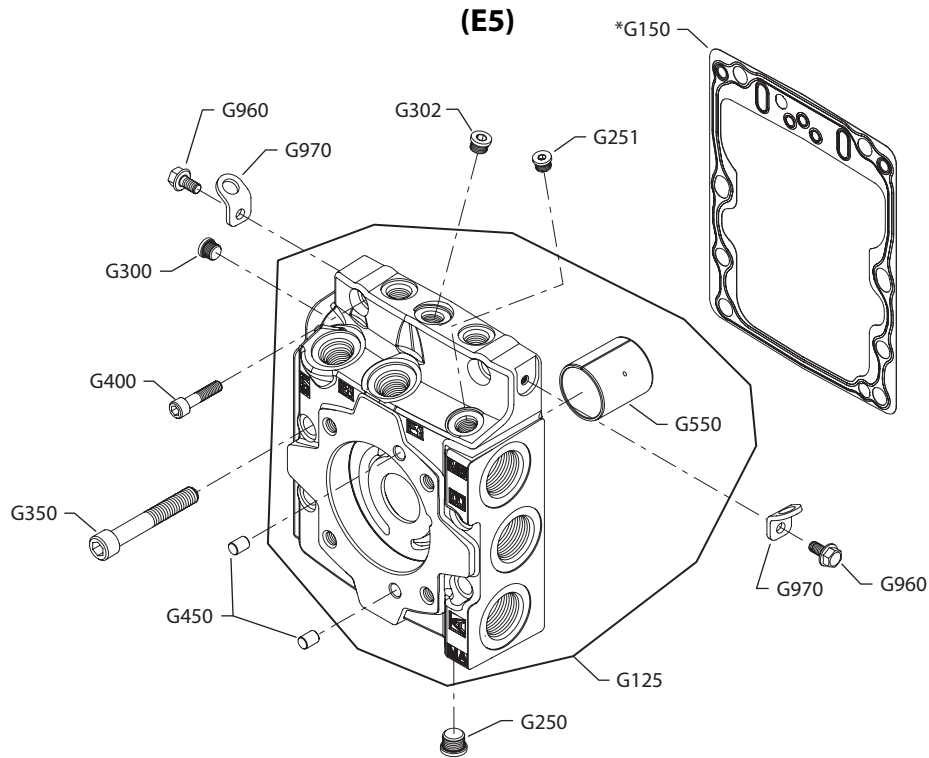
Variable displacement pump

End cap

Order Code	Item	Date Begin	Date End	Part Number	Part Name	Qty. per Model/Kit
D6	G125	10-11		11013562	End cap assembly, CW, suction filtration	1
	G125	10-11		11013554	End cap assembly, CCW, suction filtration	1
	G150	10-11		141504	End cap gasket	1
	G250	10-11		140644	Plug assembly	1
	G251	10-11		140644	Plug assembly	1
	G300	10-11		140644	Plug assembly	1
	G302	10-11		140644	Plug assembly	1
	G350	10-11		010850	Screw, M12 x 80	4
	G400	10-11		290502	Screw, M12 x 40	2
	G450	10-11		5000757	Dowel pin	2
	G550	10-11		141593	Journal bearing	1
	G960	10-11		508438	Screw, M6 x 12	2
	G970	10-11		4800754	Lifting bracket	2
	D8	G125	10-11		11013563	End cap assembly, CW, remote filtration
G125		10-11		11013555	End cap assembly, CCW, remote filtration	1
G150		10-11		141504	End cap gasket	1
G250		10-11		140644	Plug assembly	1
G251		10-11		140644	Plug assembly	1
G300		10-11		140644	Plug assembly	1
G302		10-11		140644	Plug assembly	1
G350		10-11		010850	Screw, M12 x 80	4
G400		10-11		290502	Screw, M12 x 40	2
G450		10-11		5000757	Dowel pin	2
G550		10-11		141593	Journal bearing	1
G960		10-11		508438	Screw, M6 x 12	2
G970		10-11		4800754	Lifting bracket	2



Variable displacement pump



E100 943E

* = included in overhaul seal kit Q210



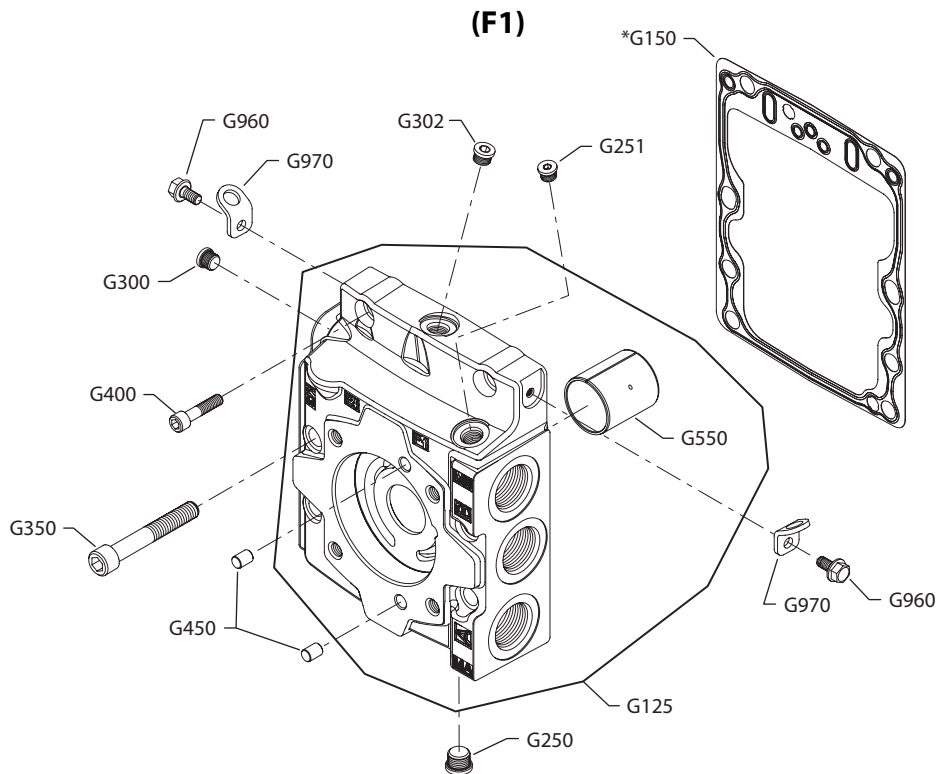
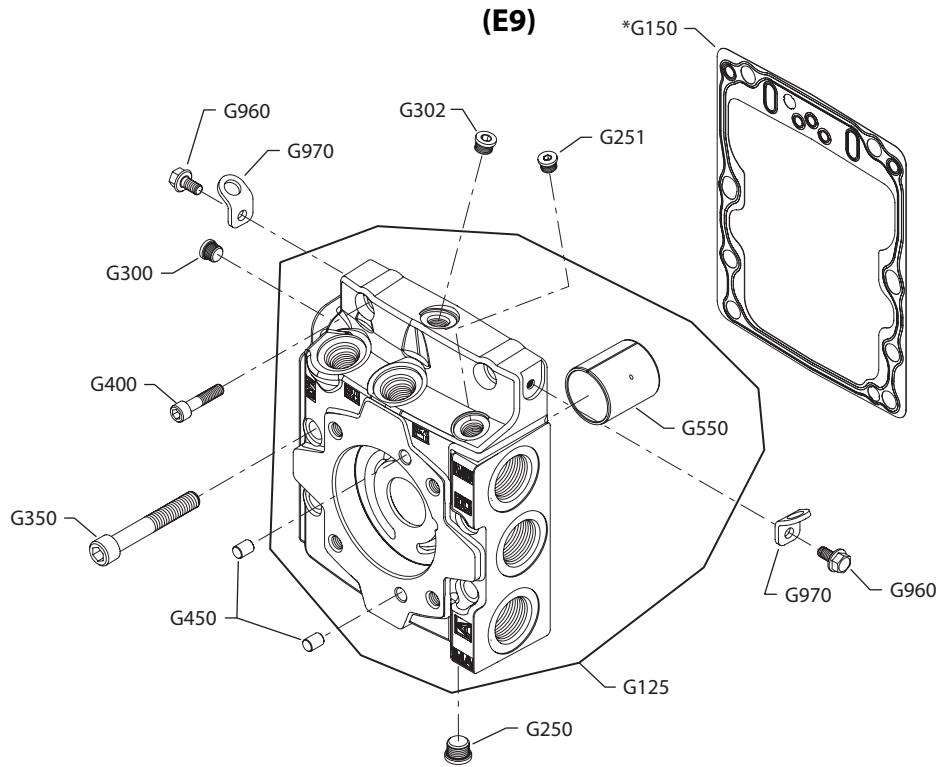
Variable displacement pump

End cap

Order Code	Item	Date Begin	Date End	Part Number	Part Name	Qty. per Model/Kit
E5	G125	10-11		11013564	End cap assembly, CW, remote filtration	1
	G125	10-11		11013556	End cap assembly, CCW, remote filtration	1
	G150	10-11		141504	End cap gasket	1
	G250	10-11		140644	Plug assembly	1
	G251	10-11		140644	Plug assembly	1
	G300	10-11		140644	Plug assembly	1
	G302	10-11		140644	Plug assembly	1
	G350	10-11		010850	Screw, M12 x 80	4
	G400	10-11		290502	Screw, M12 x 40	2
	G450	10-11		5000757	Dowel pin	2
	G550	10-11		141593	Journal bearing	1
	G960	10-11		508438	Screw, M6 x 12	2
	G970	10-11		4800754	Lifting bracket	2
	E6	G125	10-11		11013565	End cap assembly, CW, suction filtration
G125		10-11		11013557	End cap assembly, CCW, suction filtration	1
G150		10-11		141504	End cap gasket	1
G250		10-11		140644	Plug assembly	1
G251		10-11		140644	Plug assembly	1
G300		10-11		140644	Plug assembly	1
G302		10-11		140644	Plug assembly	1
G350		10-11		010850	Screw, M12 x 80	4
G400		10-11		290502	Screw, M12 x 40	2
G450		10-11		5000757	Dowel pin	2
G550		10-11		141593	Journal bearing	1
G960		10-11		508438	Screw, M6 x 12	2
G970		10-11		4800754	Lifting bracket	2



Variable displacement pump



E103 392E

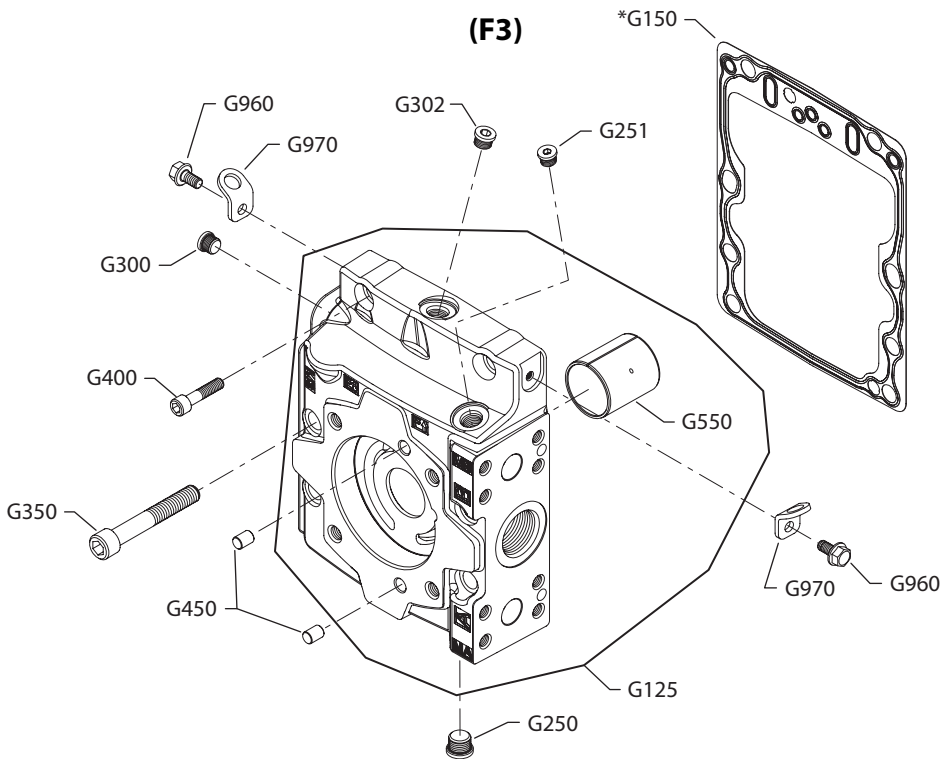
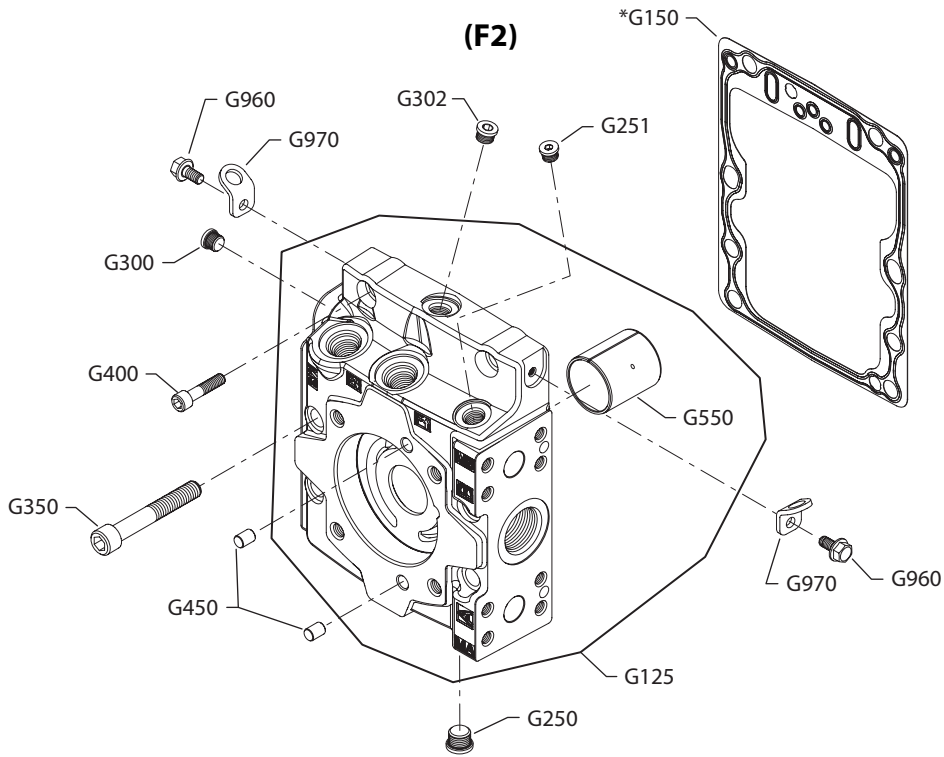
* = included in overhaul seal kit Q210


Variable displacement pump
End cap

Order Code	Item	Date Begin	Date End	Part Number	Part Name	Qty. per Model/Kit
E9	G125	10-11		11013566	End cap assembly, CW, 1 5/16, remote, HPRV only	1
	G125	10-11		11013558	End cap assembly, CCW, 1 5/16, remote, HPRV only	1
	G150	10-11		141504	End cap gasket	1
	G250	10-11		140644	Plug assembly	1
	G251	10-11		140644	Plug assembly	1
	G300	10-11		140644	Plug assembly	1
	G302	10-11		140644	Plug assembly	1
	G350	10-11		010850	Screw, M12 x 80	4
	G400	10-11		290502	Screw, M12 x 40	2
	G450	10-11		5000757	Dowel pin	2
	G550	10-11		141593	Journal bearing	1
	G960	10-11		508438	Screw, M6 x 12	2
	G970	10-11		4800754	Lifting bracket	2
	F1	G125	10-11		11013567	End cap assembly, CW, 1 5/16, suction, HPRV only
G125		10-11		11013559	End cap assembly, CCW, 1 5/16, suction, HPRV only	1
G150		10-11		141504	End cap gasket	1
G250		10-11		140644	Plug assembly	1
G251		10-11		140644	Plug assembly	1
G300		10-11		140644	Plug assembly	1
G302		10-11		140644	Plug assembly	1
G350		10-11		010850	Screw, M12 x 80	4
G400		10-11		290502	Screw, M12 x 40	2
G450		10-11		5000757	Dowel pin	2
G550		10-11		141593	Journal bearing	1
G960		10-11		508438	Screw, M6 x 12	2
G970		10-11		4800754	Lifting bracket	2



Variable displacement pump



E100 945E

* = included in overhaul seal kit Q210



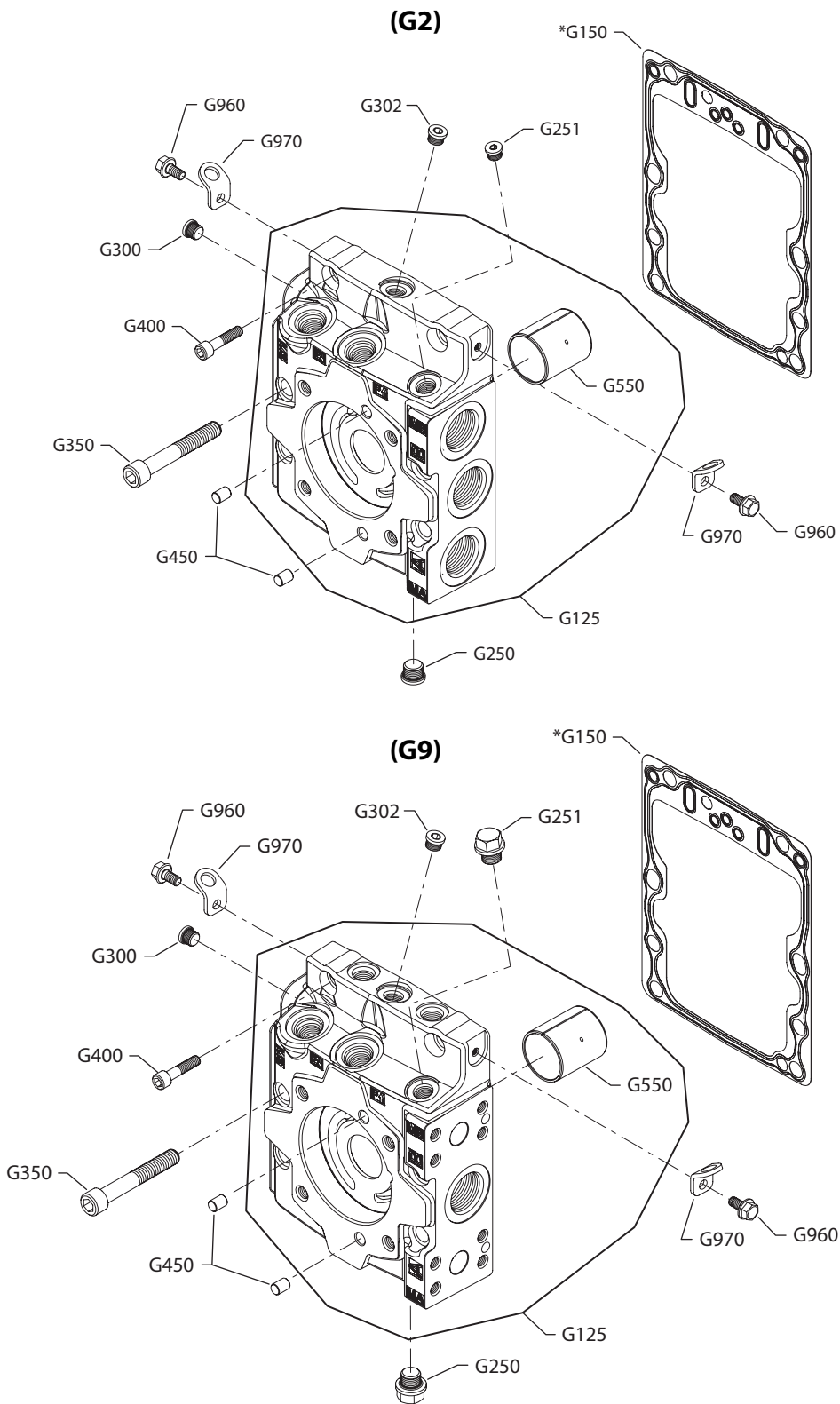
Variable displacement pump

End cap

Order Code	Item	Date Begin	Date End	Part Number	Part Name	Qty. per Model/Kit
F2	G125	10-11		11013568	End cap assembly, CW,, remote, HPRV only	1
	G125	10-11		11013560	End cap assembly, CCW, remote, HPRV only	1
	G150	10-11		141504	End cap gasket	1
	G250	10-11		140644	Plug assembly	1
	G251	10-11		140644	Plug assembly	1
	G300	10-11		140644	Plug assembly	1
	G302	10-11		140644	Plug assembly	1
	G350	10-11		010850	Screw, M12 x 80	4
	G400	10-11		290502	Screw, M12 x 40	2
	G450	10-11		5000757	Dowel pin	2
	G550	10-11		141593	Journal bearing	1
	G960	10-11		508438	Screw, M6 x 12	2
	G970	10-11		4800754	Lifting bracket	2
	F3	G125	10-11		11013569	End cap assembly, CW, suction, HPRV only
G125		10-11		11013561	End cap assembly, CCW, suction, HPRV only	1
G150		10-11		141504	End cap gasket	1
G250		10-11		140644	Plug assembly	1
G251		10-11		140644	Plug assembly	1
G300		10-11		140644	Plug assembly	1
G302		10-11		140644	Plug assembly	1
G350		10-11		010850	Screw, M12 x 80	4
G400		10-11		290502	Screw, M12 x 40	2
G450		10-11		5000757	Dowel pin	2
G550		10-11		141593	Journal bearing	1
G960		10-11		508438	Screw, M6 x 12	2
G970		10-11		4800754	Lifting bracket	2



Variable displacement pump



E103 393E

* = included in overhaul seal kit Q210



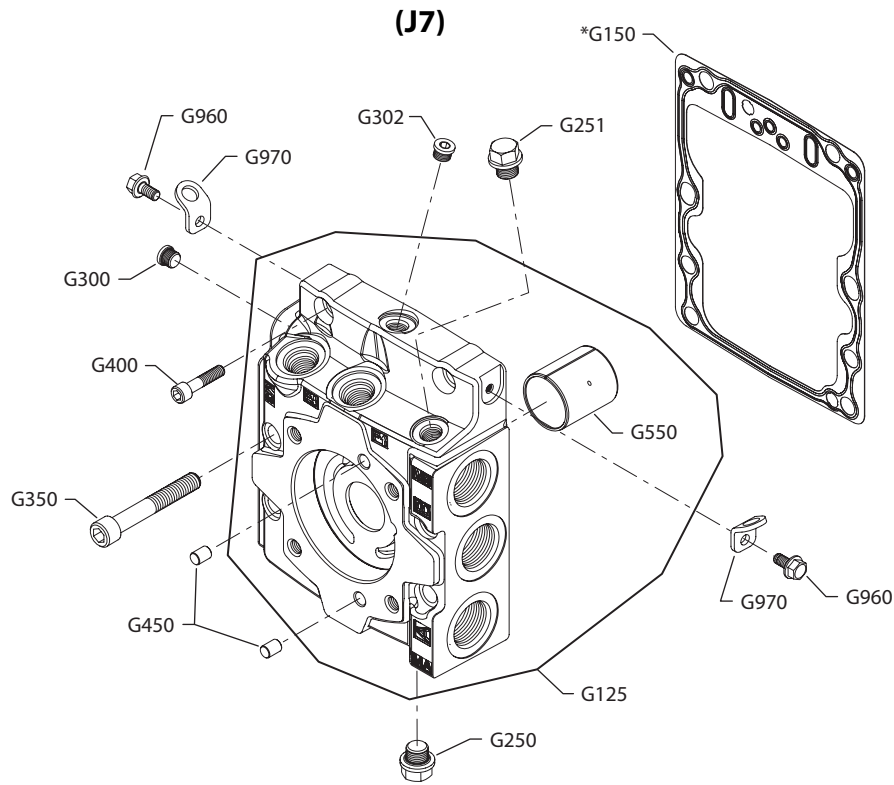
Variable displacement pump

End cap

Order Code	Item	Date Begin	Date End	Part Number	Part Name	Qty. per Model/Kit
G2	G125	10-11		11081215	End cap assembly, CW, remote, HPRV only	1
	G125	10-11		11081214	End cap assembly, CCW, remote, HPRV only	1
	G150	10-11		141504	End cap gasket	1
	G250	10-11		140644	Plug assembly	1
	G251	10-11		140644	Plug assembly	1
	G300	10-11		140644	Plug assembly	1
	G302	10-11		140644	Plug assembly	1
	G350	10-11		010850	Screw, M12 x 80	4
	G400	10-11		290502	Screw, M12 x 40	2
	G450	10-11		5000757	Dowel pin	2
	G550	10-11		141593	Journal bearing	1
	G960	10-11		508438	Screw, M6 x 12	2
	G970	10-11		4800754	Lifting bracket	2
	G9	G125	16-14		11013563	End cap assembly, CW, remote filtration
G150		16-14		141504	End cap gasket	1
G250		16-14		11147119	Plug assembly, special	1
G251		16-14		11147119	Plug assembly, special	1
G300		16-14		140644	Plug assembly	1
G302		16-14		140644	Plug assembly	1
G350		16-14		010850	Screw, M12 x 80	4
G400		16-14		290502	Screw, M12 x 40	2
G450		16-14		5000757	Dowel pin	2
G550		16-14		141593	Journal bearing	1
G960		16-14		508438	Screw, M6 x 12	2
G970		16-14		4800754	Lifting bracket	2



Variable displacement pump





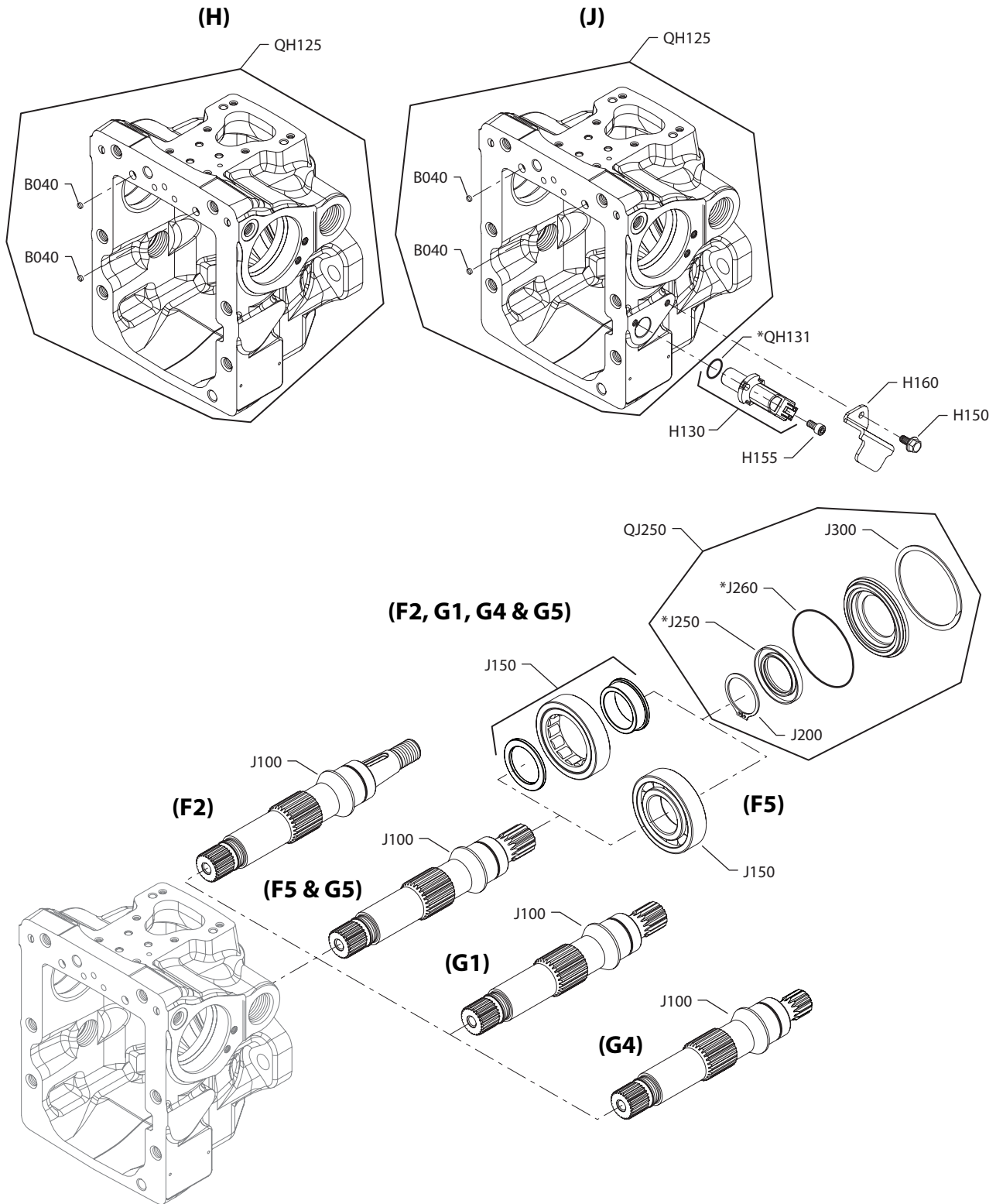
Variable displacement pump

End cap

Order Code	Item	Date Begin	Date End	Part Number	Part Name	Qty. per Model/Kit
J7	G125	16-31		11013566	End cap assembly, CW, 1 5/16, remote, HPRV only	1
	G150	16-31		141504	End cap gasket	1
	G250	16-31		11147119	Plug assembly, special	1
	G251	16-31		11147119	Plug assembly, special	1
	G300	16-31		140644	Plug assembly	1
	G302	16-31		140644	Plug assembly	1
	G350	16-31		010850	Screw, M12 x 80	4
	G400	16-31		290502	Screw, M12 x 40	2
	G450	16-31		5000757	Dowel pin	2
	G550	16-31		141593	Journal bearing	1
	G960	16-31		508438	Screw, M6 x 12	2
	G970	16-31		4800754	Lifting bracket	2



Variable displacement pump



E100 946E

* = included in overhaul seal kit Q210


Variable displacement pump
Housing

Order Code	Item	Date Begin	Date End	Part Number	Part Name	Qty. per Model/Kit
F	B015	07-19		327007 (9005110-4400)	Plug assembly	2
	B020	07-19		664524 (9005110-9000)	Plug assembly	2
	B040	07-19		140967	Screen	2
	QH125	07-19		11144976	Housing assembly	1
J	B015	07-19		327007 (9005110-4400)	Plug assembly	2
	B020	07-19		664524 (9005110-9000)	Plug assembly	2
	B040	10-04		140967	Screen	2
	H130	10-04		149055	Speed sensor assembly	1
	H150	10-04		508438	Screw, M6 x 12	1
	H155	10-04		376749	Screw, M6 x 12	1
	H160	10-04		11025029	Speed sensor protector	1
	QH125	10-04		11144977	Housing assembly	1
	QH131	10-04		11013397	O-ring	1

Common shaft parts

J200	07-19		9006300-0137	Retaining ring	1
J250	07-19		141936	Lip seal	1
J260	07-19		9004104-2310	O-ring	1
J300	07-19		9006200-0281	Retaining ring	1
QJ250	07-19		4510479	Shaft seal kit	1

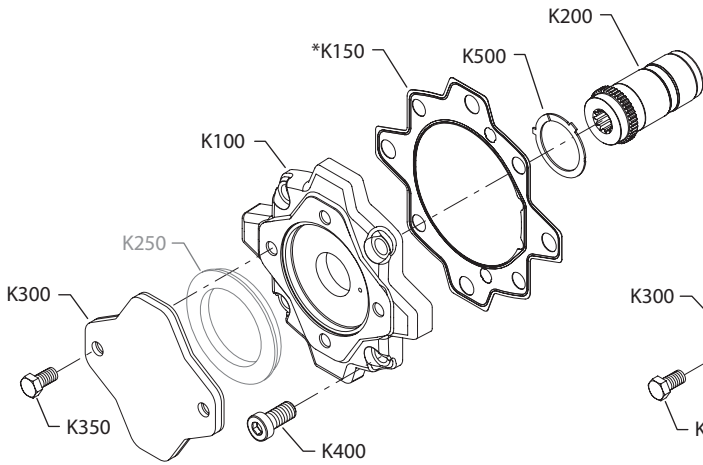
Shaft

F2	J100	07-19	141961	Shaft, tapered	1
	J150	07-19	357616	Roller bearing	1
F5	J100	07-19	141954	Shaft, 15 tooth spline	1
	J150	07-19	5000731	Ball bearing	1
G1	J100	07-19	141942	Shaft, 14 tooth spline	1
	J150	07-19	357616	Roller bearing	1
G4	J100	07-19	141953	Shaft, 13 tooth spline	1
	J150	07-19	357616	Roller bearing	1
G5	J100	07-19	141954	Shaft, 15 tooth spline	1
	J150	07-19	357616	Roller bearing	1

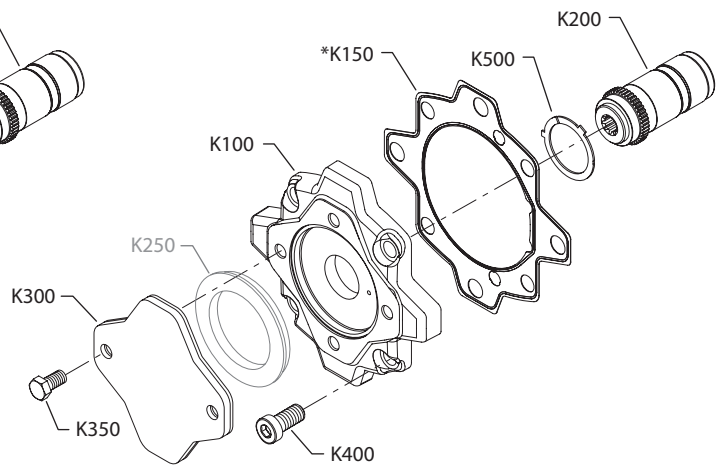


Variable displacement pump

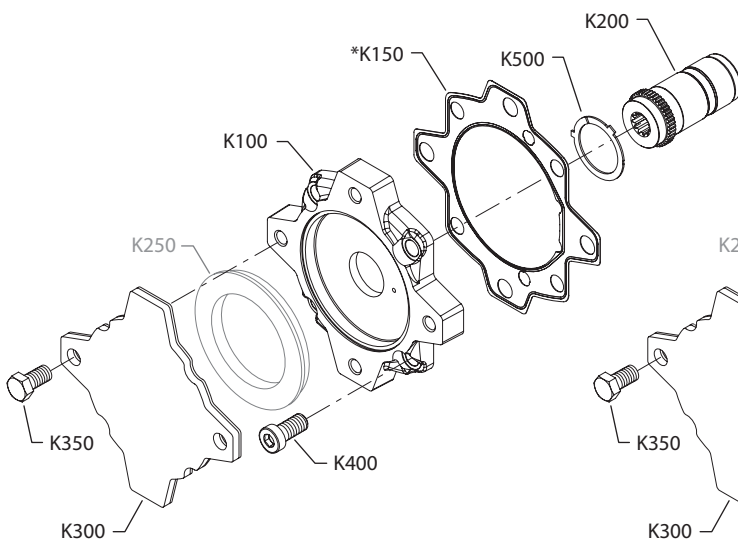
(H1)



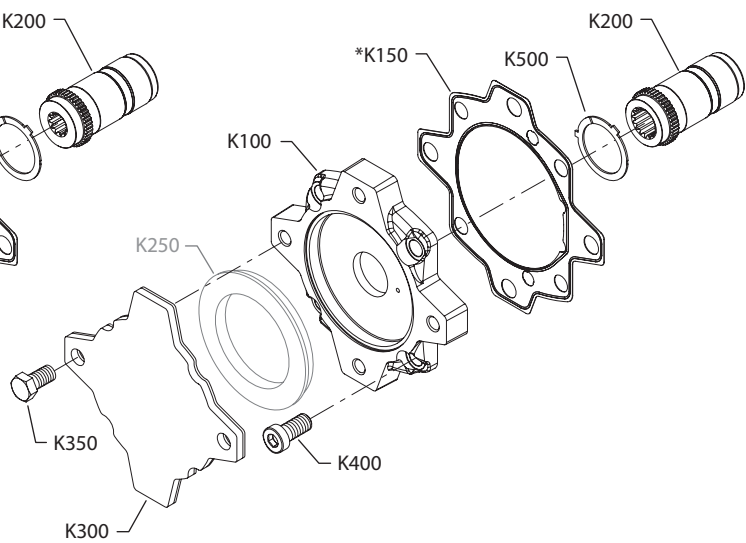
(H2)



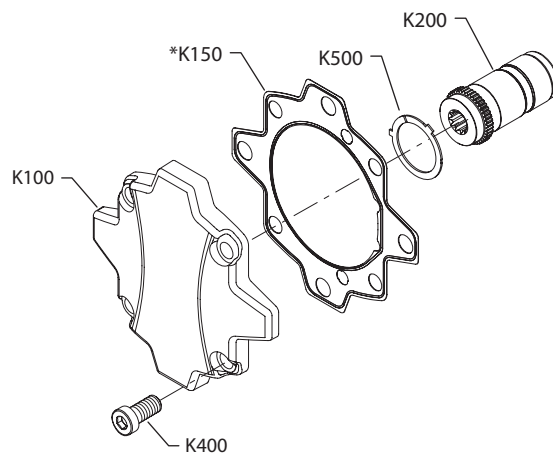
(H3)



(H5)



(NN)



E100 947E

* = included in overhaul seal kit Q210

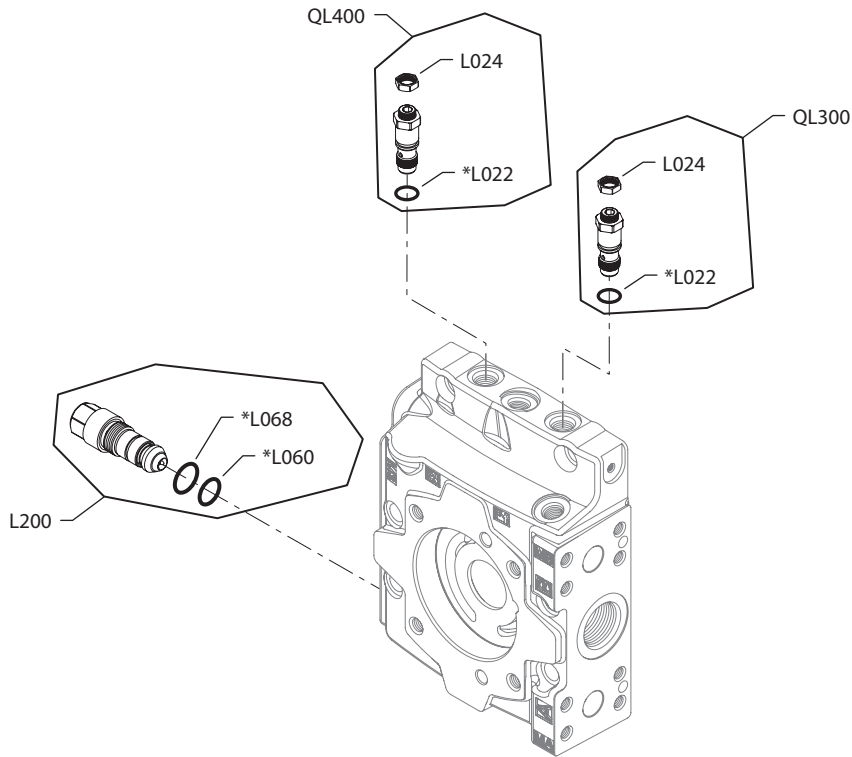

Variable displacement pump
Auxiliary mounting

Order Code	Item	Date Begin	Date End	Part Number	Part Name	Qty. per Model/Kit
H1	K100	07-19		140927	Adapter flange, SAE A	1
	K150	07-19		11029873	Adapter flange gasket (SB-2007-023)	1
	K200	07-19		141613	Coupling, 11 tooth	1
	K250	07-19	08-32	4800432	A pad seal (SB-2008-038)	1
	K300	07-19		11017125	Flange cover, A pad (SB-2008-038)	1
	K350	07-19		370247	Screw	2
	K400	07-19		11000819	Screw	4
	K500	07-19		141105	Thrust plate	1
H2	K100	07-19		140927	Adapter flange, SAE A	1
	K150	07-19		11029873	Adapter flange gasket (SB-2007-023)	1
	K200	07-19		141505	Coupling, 9 tooth	1
	K250	07-19	08-32	4800432	A pad seal (SB-2008-038)	1
	K300	07-19		11017125	Flange cover, A pad (SB-2008-038)	1
	K350	07-19		370247	Screw	2
	K400	07-19		11000819	Screw	4
	K500	07-19		141105	Thrust plate	1
H3	K100	07-19		141240	Adapter flange, SAE B	1
	K150	07-19		11029873	Adapter flange gasket (SB-2007-023)	1
	K200	07-19		141591	Coupling, 13 tooth	1
	K250	07-19	08-32	8801061	B pad seal (SB-2008-038)	1
	K300	07-19		11023746	Flange cover, B pad (SB-2008-038)	1
	K350	07-19		5000760	Screw	2
	K400	07-19		11000819	Screw	4
	K500	07-19		141105	Thrust plate	1
H5	K100	07-19		141240	Adapter flange, SAE B	1
	K150	07-19		11029873	Adapter flange gasket (SB-2007-023)	1
	K200	07-19		141592	Coupling, 15 tooth	1
	K250	07-19	08-32	8801061	B pad seal (SB-2008-038)	1
	K300	07-19		11023746	Flange cover, B pad (SB-2008-038)	1
	K350	07-19		5000760	Screw	2
	K400	07-19		11000819	Screw	4
	K500	07-19		141105	Thrust plate	1
NN	K100	07-19		141249	Adapter flange, no pad	1
	K150	07-19		11029873	Adapter flange gasket (SB-2007-023)	1
	K200	07-19		141591	Coupling, 13 tooth	1
	K400	07-19		11000819	Screw	4
	K500	07-19		141105	Thrust plate	1



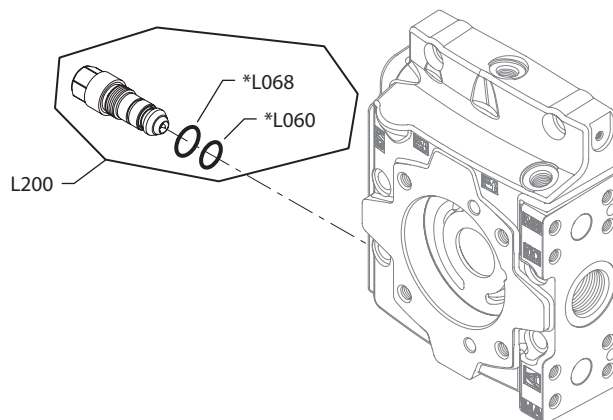
Variable displacement pump

(F01 - F07)



generic end cap shown

(J18 - J30)



E100 948E

* = included in overhaul seal kit Q210



Variable displacement pump

High pressure setting, port A

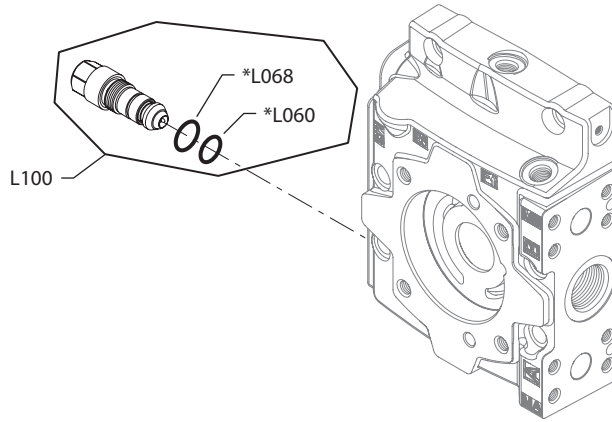
Order Code	Item	Date Begin	Date End	Part Number	Part Name	Qty. per Model/Kit
all	L022	10-48		041152	O-ring	1
	L060	10-48		141109	O-ring	1
	L068	10-48		11052215	O-ring	1
F01	L024	13-14		11054668	Nut	1
	L100	13-14		11049123	High pressure relief valve, 250 bar	1
	QL300	13-14		11050482	Pressure limiter kit, adjustable, CCW rotation pump	1
	QL400	13-14		11050482	Pressure limiter kit, adjustable, CW rotation pump	1
F02	L024	13-14		11054668	Nut	1
	L100	13-14		11049125	High pressure relief valve, 300 bar	1
	QL300	13-14		11050482	Pressure limiter kit, adjustable, CCW rotation pump	1
	QL400	13-14		11050482	Pressure limiter kit, adjustable, CW rotation pump	1
F03	L024	13-14		11054668	Nut	1
	L100	13-14		11049127	High pressure relief valve, 350 bar	1
	QL300	13-14		11050482	Pressure limiter kit, adjustable, CCW rotation pump	1
	QL400	13-14		11050482	Pressure limiter kit, adjustable, CW rotation pump	1
F04	L024	13-14		11054668	Nut	1
	L100	13-14		11049129	High pressure relief valve, 400 bar	1
	QL300	13-14		11050482	Pressure limiter kit, adjustable, CCW rotation pump	1
	QL400	13-14		11050482	Pressure limiter kit, adjustable, CW rotation pump	1
F05	L024	13-14		11054668	Nut	1
	L100	13-14		11049125	High pressure relief valve, 300 bar	1
	QL300	13-14		11050482	Pressure limiter kit, adjustable, CCW rotation pump	1
	QL400	13-14		11050482	Pressure limiter kit, adjustable, CW rotation pump	1
F06	L024	13-14		11054668	Nut	1
	L100	13-14		11049123	High pressure relief valve, 250 bar	1
	QL300	13-14		11050482	Pressure limiter kit, adjustable, CCW rotation pump	1
	QL400	13-14		11050482	Pressure limiter kit, adjustable, CW rotation pump	1
F07	L024	13-14		11054668	Nut	1
	L100	13-14		11049125	High pressure relief valve, 300 bar	1
	QL300	13-14		11050482	Pressure limiter kit, adjustable, CCW rotation pump	1
	QL400	13-14		11050482	Pressure limiter kit, adjustable, CW rotation pump	1
J18	L100	10-34		11049120	High pressure relief valve, 180 bar	1
J20	L100	10-34		11049121	High pressure relief valve, 200 bar	1
J23	L100	10-34		11049122	High pressure relief valve, 230 bar	1
J25	L100	10-34		11049123	High pressure relief valve, 250 bar	1
J28	L100	10-34		11049124	High pressure relief valve, 280 bar	1
J30	L100	10-48		11049125	High pressure relief valve, 300 bar	1



Variable displacement pump

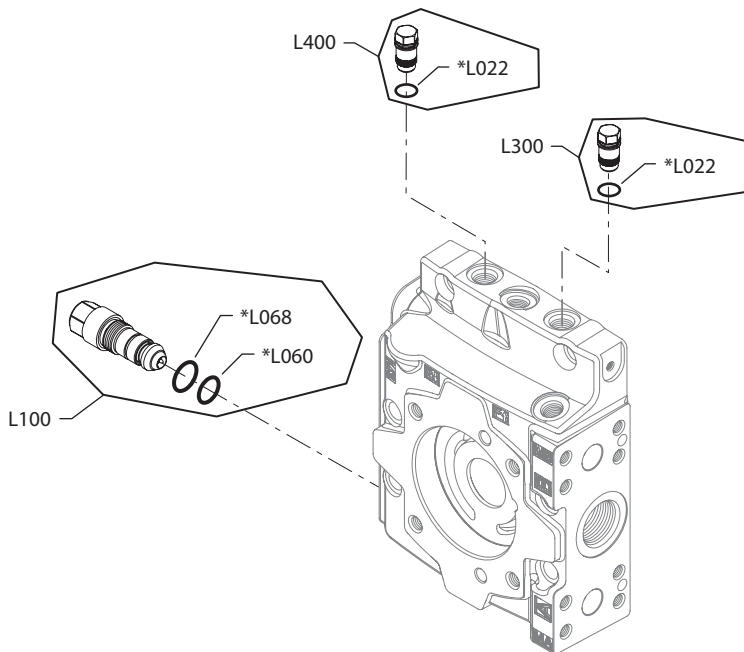
(J33 - J48)

(K18 - K28)
prior to 15-04



generic end cap shown

(K18 & K28)
after 15-10



E101 977E

* = included in overhaul seal kit Q210

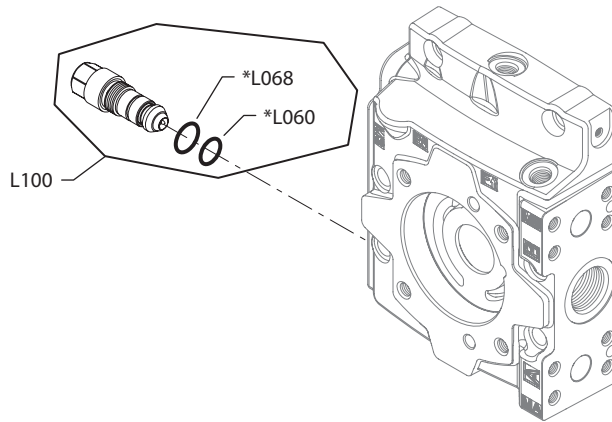

Variable displacement pump
High pressure setting, port A

Order Code	Item	Date Begin	Date End	Part Number	Part Name	Qty. per Model/Kit
all	L060	10-48		141109	O-ring	1
	L068	10-48		11052215	O-ring	1
J33	L100	10-34		11049126	High pressure relief valve, 330 bar	1
J35	L100	10-34		11049127	High pressure relief valve, 350 bar	1
J38	L100	10-34		11049128	High pressure relief valve, 380 bar	1
J40	L100	10-34		11049129	High pressure relief valve, 400 bar	1
J42	L100	10-34		11049130	High pressure relief valve, 420 bar	1
J45	L100	10-34		11049131	High pressure relief valve, 450 bar	1
J48	L100	10-34		11049132	High pressure relief valve, 480 bar	1
K18	L022	15-11		041152	O-ring	1
	L100	07-19	15-03	11049120	High pressure relief valve, 180 bar (SB-2009-007)	1
	L100	15-11		11049120	High pressure relief valve, 180 bar	1
	L300	15-11		11002291	Pressure limiter plug assembly CCW rotation pump	1
	L400	15-11		11002291	Pressure limiter plug assembly CW rotation pump	1
K20	L022	15-11		041152	O-ring	1
	L100	07-19	15-03	11049121	High pressure relief valve, 200 bar (SB-2009-007)	1
	L100	15-11		11049121	High pressure relief valve, 200 bar	1
	L300	15-11		11002291	Pressure limiter plug assembly CCW rotation pump	1
	L400	15-11		11002291	Pressure limiter plug assembly CW rotation pump	1
K23	L022	15-11		041152	O-ring	1
	L100	07-19	15-03	11049122	High pressure relief valve, 230 bar (SB-2009-007)	1
	L100	15-11		11049122	High pressure relief valve, 230 bar	1
	L300	15-11		11002291	Pressure limiter plug assembly CCW rotation pump	1
	L400	15-11		11002291	Pressure limiter plug assembly CW rotation pump	1
K25	L022	15-11		041152	O-ring	1
	L100	07-19	15-03	11049123	High pressure relief valve, 250 bar (SB-2009-007)	1
	L100	15-11		11049123	High pressure relief valve, 250 bar	1
	L300	15-11		11002291	Pressure limiter plug assembly CCW rotation pump	1
	L400	15-11		11002291	Pressure limiter plug assembly CW rotation pump	1
K28	L022	15-11		041152	O-ring	1
	L100	07-19	15-03	11049124	High pressure relief valve, 280 bar (SB-2009-007)	1
	L100	15-11		11049124	High pressure relief valve, 280 bar	1
	L300	15-11		11002291	Pressure limiter plug assembly CCW rotation pump	1
	L400	15-11		11002291	Pressure limiter plug assembly CW rotation pump	1



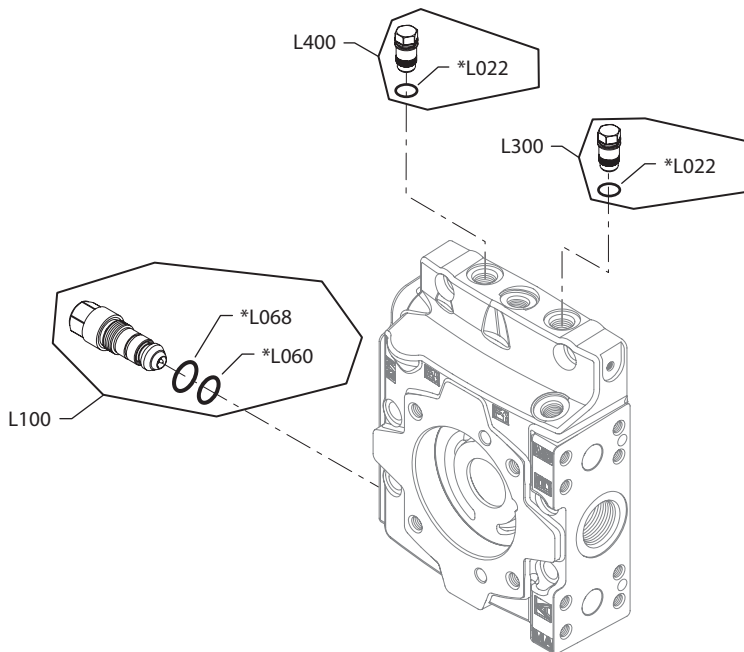
Variable displacement pump

(K30 - K48)
prior to 15-04



generic end cap shown

(K30 & K48)
after 15-10



E101 977E

* = included in overhaul seal kit Q210



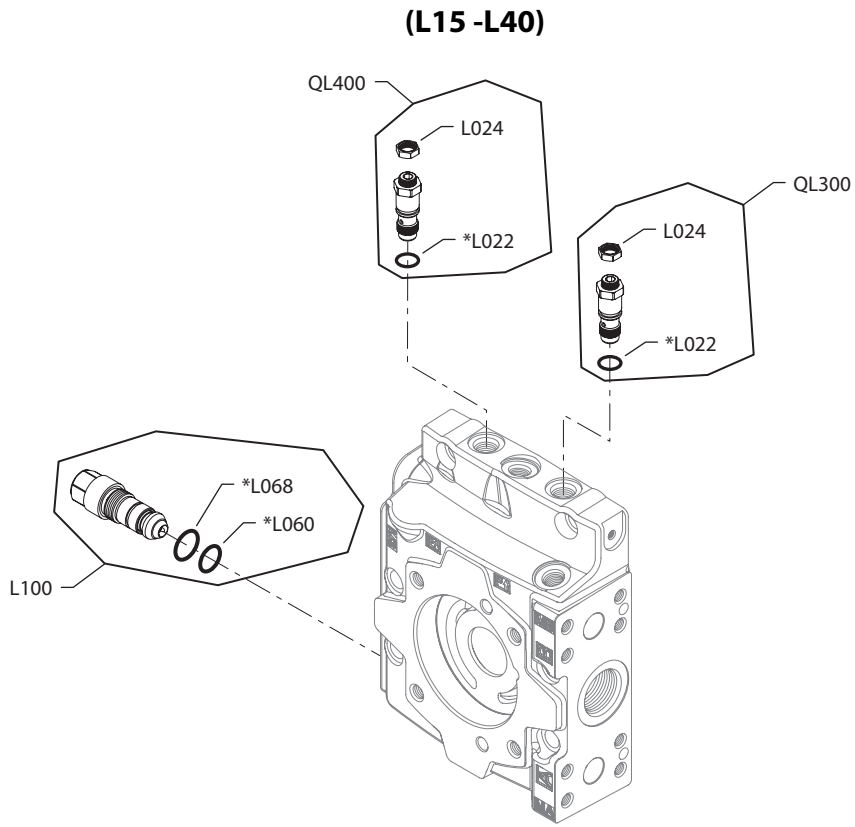
Variable displacement pump

High pressure setting, port A

Order Code	Item	Date Begin	Date End	Part Number	Part Name	Qty. per Model/Kit
all	L022	15-11		041152	O-ring	1
	L060	10-48		141109	O-ring	1
	L068	10-48		11052215	O-ring	1
K30	L100	15-11		11049125	High pressure relief valve, 300 bar	1
	L100	07-19	15-03	11049125	High pressure relief valve, 300 bar (SB-2009-007)	1
	L300	15-11		11002291	Pressure limiter plug assembly CCW rotation pump	1
	L400	15-11		11002291	Pressure limiter plug assembly CW rotation pump	1
K33	L100	15-11		11049126	High pressure relief valve, 330 bar	1
	L100	07-19	15-03	11049126	High pressure relief valve, 330 bar (SB-2009-007)	1
	L300	15-11		11002291	Pressure limiter plug assembly CCW rotation pump	1
	L400	15-11		11002291	Pressure limiter plug assembly CW rotation pump	1
K35	L100	15-11		11049127	High pressure relief valve, 350 bar	1
	L100	07-19	15-03	11049127	High pressure relief valve, 350 bar (SB-2009-007)	1
	L300	15-11		11002291	Pressure limiter plug assembly CCW rotation pump	1
	L400	15-11		11002291	Pressure limiter plug assembly CW rotation pump	1
K38	L100	15-11		11049128	High pressure relief valve, 380 bar	1
	L100	07-19	15-03	11049128	High pressure relief valve, 380 bar (SB-2009-007)	1
	L300	15-11		11002291	Pressure limiter plug assembly CCW rotation pump	1
	L400	15-11		11002291	Pressure limiter plug assembly CW rotation pump	1
K40	L100	15-11		11049129	High pressure relief valve, 400 bar	1
	L100	07-19	15-03	11049129	High pressure relief valve, 400 bar (SB-2009-007)	1
	L300	15-11		11002291	Pressure limiter plug assembly CCW rotation pump	1
	L400	15-11		11002291	Pressure limiter plug assembly CW rotation pump	1
K42	L100	15-11		11049130	High pressure relief valve, 420 bar	1
	L100	07-19	15-03	11049130	High pressure relief valve, 420 bar (SB-2009-007)	1
	L300	15-11		11002291	Pressure limiter plug assembly CCW rotation pump	1
	L400	15-11		11002291	Pressure limiter plug assembly CW rotation pump	1
K45	L100	15-11		11049131	High pressure relief valve, 450 bar	1
	L100	07-19	15-03	11049131	High pressure relief valve, 450 bar (SB-2009-007)	1
	L300	15-11		11002291	Pressure limiter plug assembly CCW rotation pump	1
	L400	15-11		11002291	Pressure limiter plug assembly CW rotation pump	1
K48	L100	15-11		11049132	High pressure relief valve, 480 bar	1
	L100	07-19	15-03	11049132	High pressure relief valve, 480 bar (SB-2009-007)	1
	L300	15-11		11002291	Pressure limiter plug assembly CCW rotation pump	1
	L400	15-11		11002291	Pressure limiter plug assembly CW rotation pump	1



Variable displacement pump



generic end cap shown

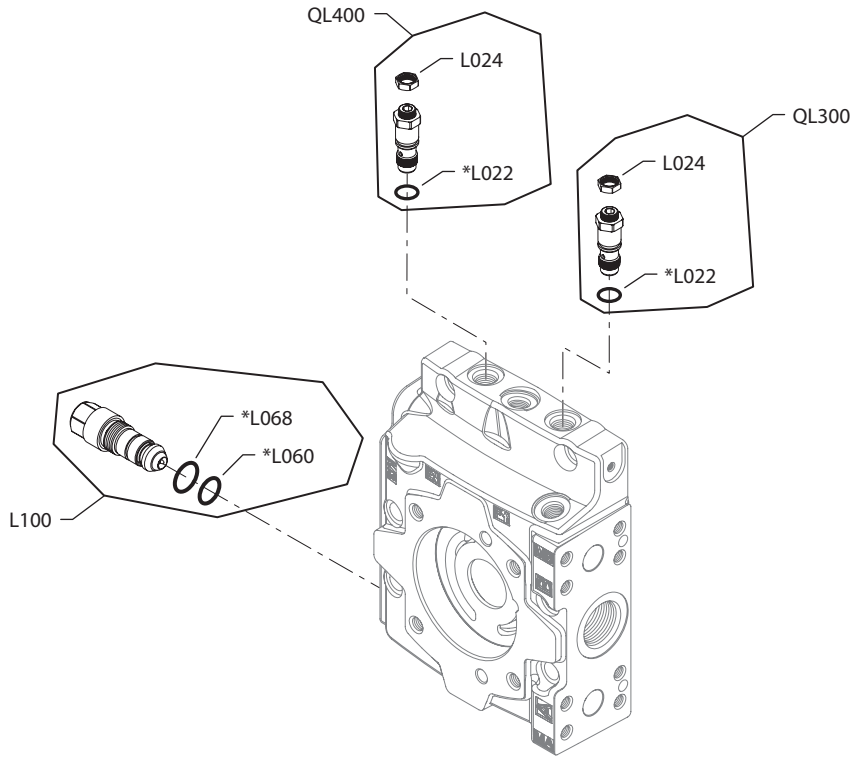

Variable displacement pump
High pressure setting, port A

Order Code	Item	Date Begin	Date End	Part Number	Part Name	Qty. per Model/Kit
all	L022	10-48		041152	O-ring	1
	L024	10-48		11054668	Nut	1
	L060	10-48		141109	O-ring	1
	L068	10-48		11052215	O-ring	1
L15	L100	10-48		11049121	High pressure relief valve, 200 bar	1
	QL300	10-48		11050482	Pressure limiter kit, adjustable, CCW rotation pump	1
	QL400	10-48		11050482	Pressure limiter kit, adjustable, CW rotation pump	1
L18	L100	10-48		11049123	High pressure relief valve, 250 bar	1
	QL300	10-48		11050482	Pressure limiter kit, adjustable, CCW rotation pump	1
	QL400	10-48		11050482	Pressure limiter kit, adjustable, CW rotation pump	1
L20	L100	10-48		11049123	High pressure relief valve, 250 bar	1
	QL300	10-48		11050482	Pressure limiter kit, adjustable, CCW rotation pump	1
	QL400	10-48		11050482	Pressure limiter kit, adjustable, CW rotation pump	1
L23	L100	10-48		11049124	High pressure relief valve, 280 bar	1
	QL300	10-48		11050482	Pressure limiter kit, adjustable, CCW rotation pump	1
	QL400	10-48		11050482	Pressure limiter kit, adjustable, CW rotation pump	1
L25	L100	10-48		11049125	High pressure relief valve, 300 bar	1
	QL300	10-48		11050482	Pressure limiter kit, adjustable, CCW rotation pump	1
	QL400	10-48		11050482	Pressure limiter kit, adjustable, CW rotation pump	1
L28	L100	10-48		11049126	High pressure relief valve, 330 bar	1
	QL300	10-48		11050482	Pressure limiter kit, adjustable, CCW rotation pump	1
	QL400	10-48		11050482	Pressure limiter kit, adjustable, CW rotation pump	1
L30	L100	10-48		11049127	High pressure relief valve, 350 bar	1
	QL300	10-48		11050482	Pressure limiter kit, adjustable, CCW rotation pump	1
	QL400	10-48		11050482	Pressure limiter kit, adjustable, CW rotation pump	1
L33	L100	10-48		11049128	High pressure relief valve, 380 bar	1
	QL300	10-48		11050482	Pressure limiter kit, adjustable, CCW rotation pump	1
	QL400	10-48		11050482	Pressure limiter kit, adjustable, CW rotation pump	1
L35	L100	10-48		11049129	High pressure relief valve, 400 bar	1
	QL300	10-48		11050482	Pressure limiter kit, adjustable, CCW rotation pump	1
	QL400	10-48		11050482	Pressure limiter kit, adjustable, CW rotation pump	1
L38	L100	10-48		11049130	High pressure relief valve, 420 bar	1
	QL300	10-48		11050482	Pressure limiter kit, adjustable, CCW rotation pump	1
	QL400	10-48		11050482	Pressure limiter kit, adjustable, CW rotation pump	1
L40	L100	10-48		11049131	High pressure relief valve, 400 bar	1
	QL300	10-48		11050482	Pressure limiter kit, adjustable, CCW rotation pump	1
	QL400	10-48		11050482	Pressure limiter kit, adjustable, CW rotation pump	1



Variable displacement pump

(L41 - L48)



generic end cap shown

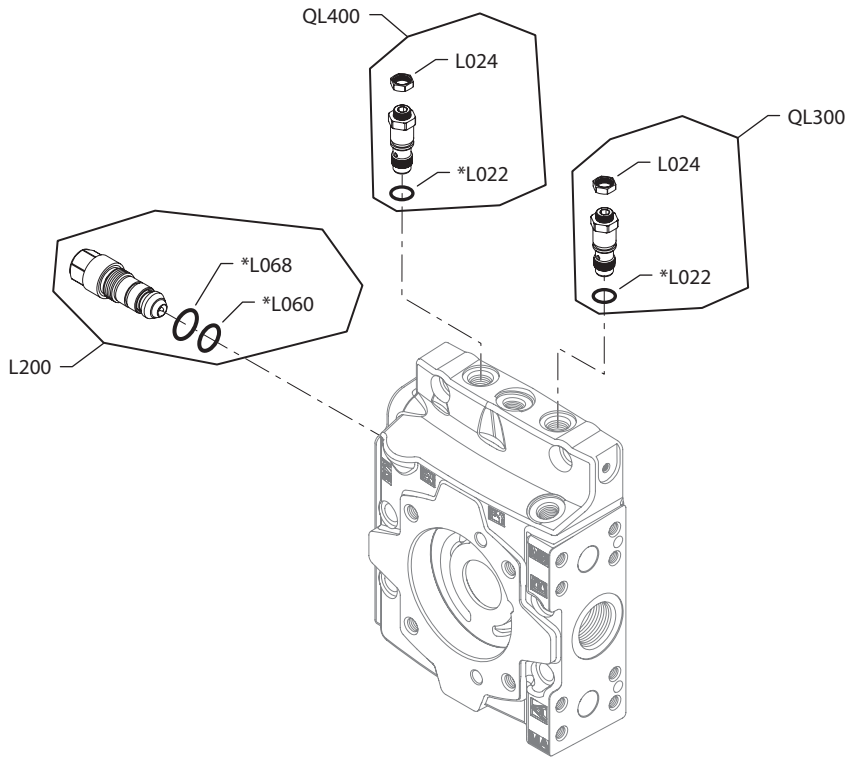

Variable displacement pump
High pressure setting, port A

Order Code	Item	Date Begin	Date End	Part Number	Part Name	Qty. per Model/Kit
all	L022	10-48		041152	O-ring	1
	L024	10-48		11054668	Nut	1
	L060	10-48		365023	O-ring	1
	L068	10-48		11052201	O-ring	1
L41	L100	10-48		11049131	High pressure relief valve, 450 bar	1
	QL300	10-48		11050482	Pressure limiter kit, adjustable, CCW rotation pump	1
	QL400	10-48		11050482	Pressure limiter kit, adjustable, CW rotation pump	1
L42	L100	10-48		11049131	High pressure relief valve, 450 bar	1
	QL300	10-48		11050482	Pressure limiter kit, adjustable, CCW rotation pump	1
	QL400	10-48		11050482	Pressure limiter kit, adjustable, CW rotation pump	1
L43	L100	10-48		11049132	High pressure relief valve, 480 bar	1
	QL300	10-48		11050482	Pressure limiter kit, adjustable, CCW rotation pump	1
	QL400	10-48		11050482	Pressure limiter kit, adjustable, CW rotation pump	1
L44	L100	10-48		11049132	High pressure relief valve, 480 bar	1
	QL300	10-48		11050482	Pressure limiter, adjustable, CCW rotation pump	1
	QL400	10-48		11050482	Pressure limiter, adjustable, CW rotation pump	1
L45	L100	07-19		11049132	High pressure relief valve, 480 bar (SB-2009-007)	1
	QL300	07-19		11050482	Pressure limiter kit, adjustable, CCW rotation pump	1
	QL400	07-19		11050482	Pressure limiter kit, adjustable, CW rotation pump	1
L46	L100	07-19		11049133	High pressure relief valve, 510 bar (SB-2009-007)	1
	QL300	07-19		11050482	Pressure limiter kit, adjustable, CCW rotation pump	1
	QL400	07-19		11050482	Pressure limiter kit, adjustable, CW rotation pump	1
L47	L100	07-19		11049133	High pressure relief valve, 510 bar (SB-2009-007)	1
	QL300	07-19		11050482	Pressure limiter kit, adjustable, CCW rotation pump	1
	QL400	07-19		11050482	Pressure limiter kit, adjustable, CW rotation pump	1
L48	L100	07-19		11049133	High pressure relief valve, 510 bar (SB-2009-007)	1
	QL300	07-19		11050482	Pressure limiter kit, adjustable, CCW rotation pump	1
	QL400	07-19		11050482	Pressure limiter kit, adjustable, CW rotation pump	1



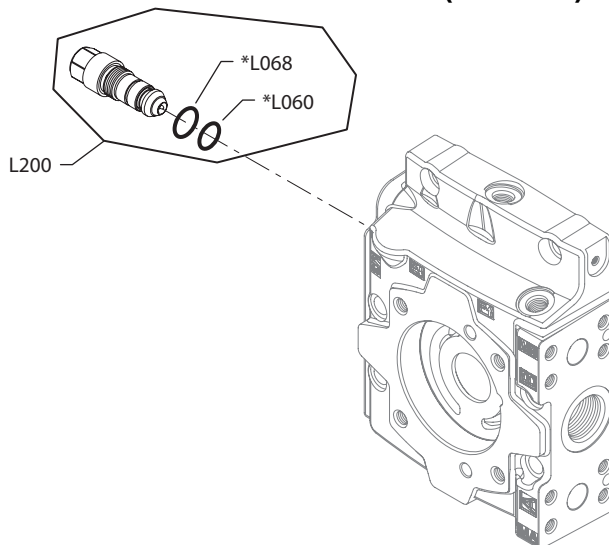
Variable displacement pump

(F01 - F07)



generic end cap shown

(J18 - J30)





Variable displacement pump

High pressure setting, port B

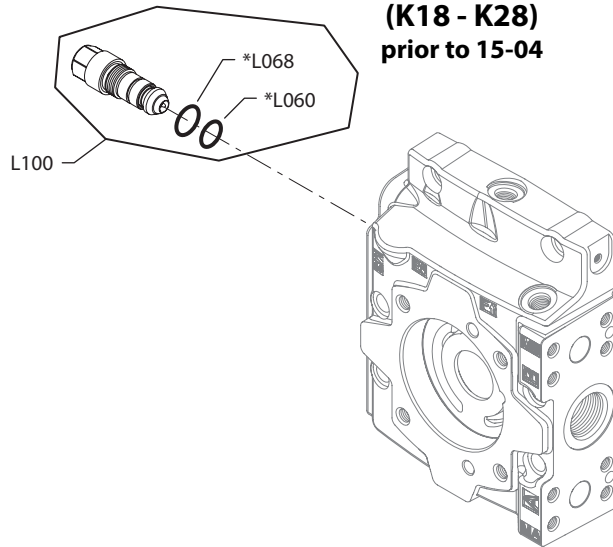
Order Code	Item	Date Begin	Date End	Part Number	Part Name	Qty. per Model/Kit
all	L022	10-48		041152	O-ring	1
	L060	10-48		141109	O-ring	1
	L068	10-48		11052215	O-ring	1
F01	L024	13-14		11054668	Nut	1
	L200	13-14		11049123	High pressure relief valve, 250 bar	1
	QL300	13-14		11050482	Pressure limiter kit, adjustable, CW rotation pump	1
	QL400	13-14		11050482	Pressure limiter kit, adjustable, CCW rotation pump	1
F02	L024	13-14		11054668	Nut	1
	L200	13-14		11049125	High pressure relief valve, 300 bar	1
	QL300	13-14		11050482	Pressure limiter kit, adjustable, CW rotation pump	1
	QL400	13-14		11050482	Pressure limiter kit, adjustable, CCW rotation pump	1
F03	L024	13-14		11054668	Nut	1
	L200	13-14		11049127	High pressure relief valve, 350 bar	1
	QL300	13-14		11050482	Pressure limiter kit, adjustable, CW rotation pump	1
	QL400	13-14		11050482	Pressure limiter kit, adjustable, CCW rotation pump	1
F04	L024	13-14		11054668	Nut	1
	L200	13-14		11049129	High pressure relief valve, 400 bar	1
	QL300	13-14		11050482	Pressure limiter kit, adjustable, CW rotation pump	1
	QL400	13-14		11050482	Pressure limiter kit, adjustable, CCW rotation pump	1
F05	L024	13-14		11054668	Nut	1
	L200	13-14		11049125	High pressure relief valve, 300 bar	1
	QL300	13-14		11050482	Pressure limiter kit, adjustable, CW rotation pump	1
	QL400	13-14		11050482	Pressure limiter kit, adjustable, CCW rotation pump	1
F06	L024	13-14		11054668	Nut	1
	L200	13-14		11049123	High pressure relief valve, 250 bar	1
	QL300	13-14		11050482	Pressure limiter kit, adjustable, CW rotation pump	1
	QL400	13-14		11050482	Pressure limiter kit, adjustable, CCW rotation pump	1
F07	L024	13-14		11054668	Nut	1
	L200	13-14		11049125	High pressure relief valve, 300 bar	1
	QL300	13-14		11050482	Pressure limiter kit, adjustable, CW rotation pump	1
	QL400	13-14		11050482	Pressure limiter kit, adjustable, CCW rotation pump	1
J18	L200	10-34		11049120	High pressure relief valve, 180 bar	1
J20	L200	10-34		11049121	High pressure relief valve, 200 bar	1
J23	L200	10-34		11049122	High pressure relief valve, 230 bar	1
J25	L200	10-34		11049123	High pressure relief valve, 250 bar	1
J28	L200	10-34		11049124	High pressure relief valve, 280 bar	1
J30	L200	10-48		11049125	High pressure relief valve, 300 bar	1



Variable displacement pump

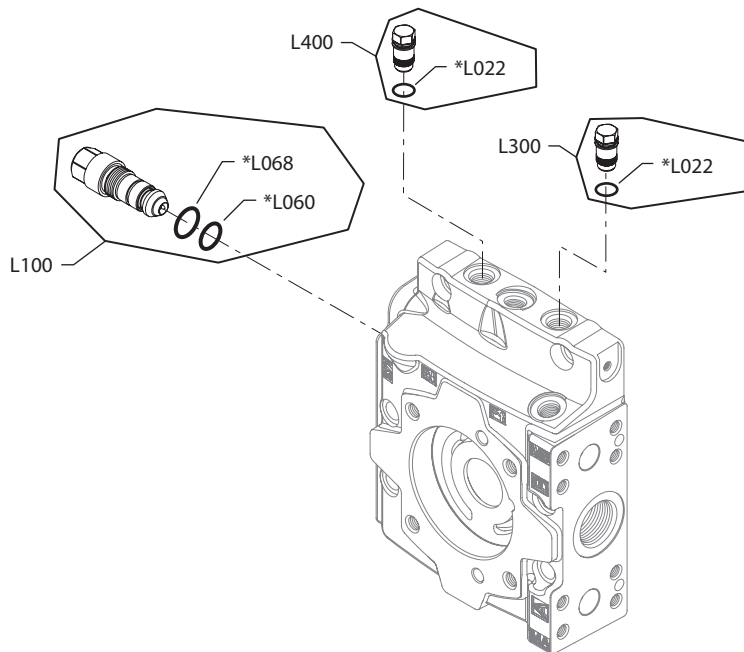
(J33 - J48)

**(K18 - K28)
prior to 15-04**



generic end cap shown

**(K18 & K28)
after 15-10**



E101 978E

* = included in overhaul seal kit Q210



Variable displacement pump

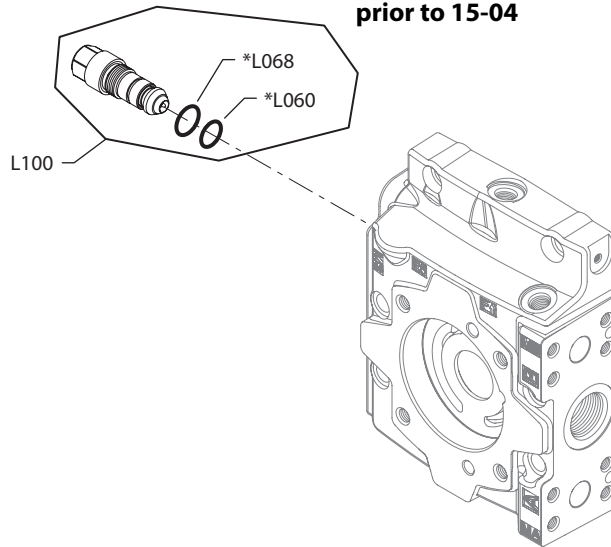
High pressure setting, port B

Order Code	Item	Date Begin	Date End	Part Number	Part Name	Qty. per Model/Kit
all	L060	10-48		141109	O-ring	1
	L068	10-48		11052215	O-ring	1
J33	L200	10-34		11049126	High pressure relief valve, 330 bar	1
J35	L200	10-34		11049127	High pressure relief valve, 350 bar	1
J38	L200	10-34		11049128	High pressure relief valve, 380 bar	1
J40	L200	10-34		11049129	High pressure relief valve, 400 bar	1
J42	L200	10-34		11049130	High pressure relief valve, 420 bar	1
J45	L200	10-34		11049131	High pressure relief valve, 450 bar	1
J48	L200	10-34		11049132	High pressure relief valve, 480 bar	1
K18	L022	15-11		041152	O-ring	1
	L200	07-19	15-03	11049120	High pressure relief valve, 180 bar (SB-2009-007)	1
	L200	15-11		11049120	High pressure relief valve, 180 bar (SB-2009-007)	1
	L300	15-11		11002291	Pressure limiter plug assembly CW rotation pump	1
	L400	15-11		11002291	Pressure limiter plug assembly CCW rotation pump	1
K20	L022	15-11		041152	O-ring	1
	L200	07-19	15-03	11049121	High pressure relief valve, 200 bar	1
	L200	15-11		11049121	High pressure relief valve, 200 bar (SB-2009-007)	1
	L300	15-11		11002291	Pressure limiter plug assembly CW rotation pump	1
	L400	15-11		11002291	Pressure limiter plug assembly CCW rotation pump	1
K23	L022	15-11		041152	O-ring	1
	L200	07-19	15-03	11049122	High pressure relief valve, 230 bar	1
	L200	15-11		11049122	High pressure relief valve, 230 bar (SB-2009-007)	1
	L300	15-11		11002291	Pressure limiter plug assembly CW rotation pump	1
	L400	15-11		11002291	Pressure limiter plug assembly CCW rotation pump	1
K25	L022	15-11		041152	O-ring	1
	L200	07-19	15-03	11049123	High pressure relief valve, 250 bar	1
	L200	15-11		11049123	High pressure relief valve, 250 bar (SB-2009-007)	1
	L300	15-11		11002291	Pressure limiter plug assembly CW rotation pump	1
	L400	15-11		11002291	Pressure limiter plug assembly CCW rotation pump	1
K28	L022	15-11		041152	O-ring	1
	L200	07-19	15-03	11049124	High pressure relief valve, 280 bar	1
	L200	15-11		11049124	High pressure relief valve, 280 bar (SB-2009-007)	1
	L300	15-11		11002291	Pressure limiter plug assembly CW rotation pump	1
	L400	15-11		11002291	Pressure limiter plug assembly CCW rotation pump	1



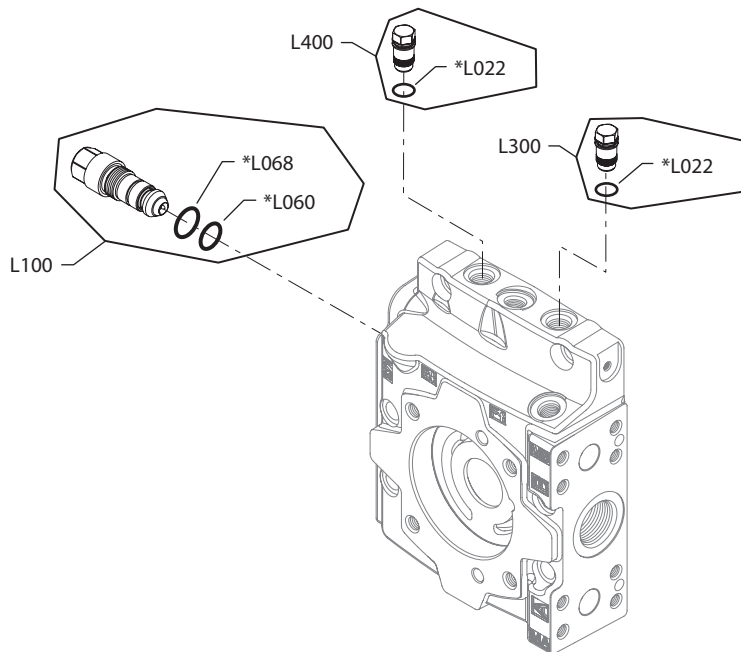
Variable displacement pump

(K30- K48)
prior to 15-04



generic end cap shown

(K30 & K48)
after 15-10

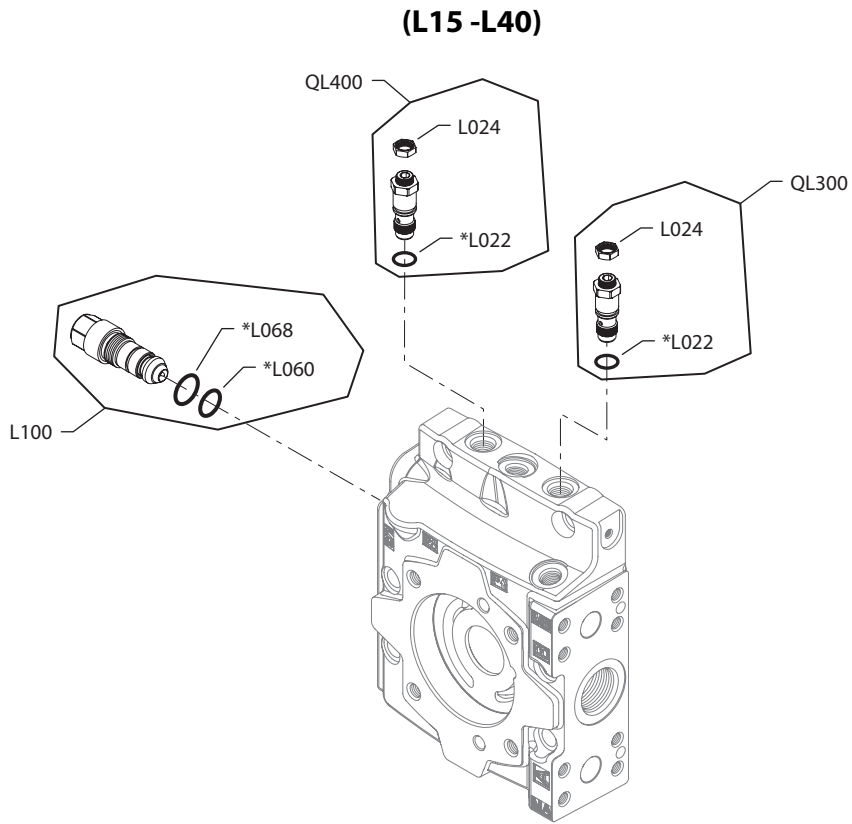


Variable displacement pump
High pressure setting, port B

Order Code	Item	Date Begin	Date End	Part Number	Part Name	Qty. per Model/Kit
all	L022	15-11		041152	O-ring	1
	L060	10-48		141109	O-ring	1
	L068	10-48		11052215	O-ring	1
K30	L200	07-19	15-03	11049125	High pressure relief valve, 300 bar	1
	L200	15-11		11049125	High pressure relief valve, 300 bar (SB-2009-007)	1
	L300	15-11		11002291	Pressure limiter plug assembly CW rotation pump	1
	L400	15-11		11002291	Pressure limiter plug assembly CCW rotation pump	1
K33	L200	07-19	15-03	11049126	High pressure relief valve, 330 bar	1
	L200	15-11		11049126	High pressure relief valve, 330 bar (SB-2009-007)	1
	L300	15-11		11002291	Pressure limiter plug assembly CW rotation pump	1
	L400	15-11		11002291	Pressure limiter plug assembly CCW rotation pump	1
K35	L200	07-19	15-03	11049127	High pressure relief valve, 350 bar	1
	L200	15-11		11049127	High pressure relief valve, 350 bar (SB-2009-007)	1
	L300	15-11		11002291	Pressure limiter plug assembly CW rotation pump	1
	L400	15-11		11002291	Pressure limiter plug assembly CCW rotation pump	1
K38	L022	15-11		041152	O-ring	1
	L200	07-19	15-03	11049128	High pressure relief valve, 380 bar	1
	L200	15-11		11049128	High pressure relief valve, 380 bar (SB-2009-007)	1
	L300	15-11		11002291	Pressure limiter plug assembly CW rotation pump	1
	L400	15-11		11002291	Pressure limiter plug assembly CCW rotation pump	1
K40	L022	15-11		041152	O-ring	1
	L200	07-19	15-03	11049129	High pressure relief valve, 400 bar	1
	L200	15-11		11049129	High pressure relief valve, 400 bar (SB-2009-007)	1
	L300	15-11		11002291	Pressure limiter plug assembly CW rotation pump	1
	L400	15-11		11002291	Pressure limiter plug assembly CCW rotation pump	1
K42	L022	15-11		041152	O-ring	1
	L200	07-19	15-03	11049130	High pressure relief valve, 420 bar	1
	L200	15-11		11049130	High pressure relief valve, 420 bar (SB-2009-007)	1
	L300	15-11		11002291	Pressure limiter plug assembly CW rotation pump	1
	L400	15-11		11002291	Pressure limiter plug assembly CCW rotation pump	1
K45	L022	15-11		041152	O-ring	1
	L200	07-19	15-03	11049131	High pressure relief valve, 450 bar	1
	L200	15-11		11049131	High pressure relief valve, 450 bar (SB-2009-007)	1
	L300	15-11		11002291	Pressure limiter plug assembly CW rotation pump	1
	L400	15-11		11002291	Pressure limiter plug assembly CCW rotation pump	1
K48	L022	15-11		041152	O-ring	1
	L200	07-19	15-03	11049132	High pressure relief valve, 480 bar	1
	L200	15-11		11049132	High pressure relief valve, 480 bar (SB-2009-007)	1
	L300	15-11		11002291	Pressure limiter plug assembly CW rotation pump	1
	L400	15-11		11002291	Pressure limiter plug assembly CCW rotation pump	1



Variable displacement pump



generic end cap shown



Variable displacement pump

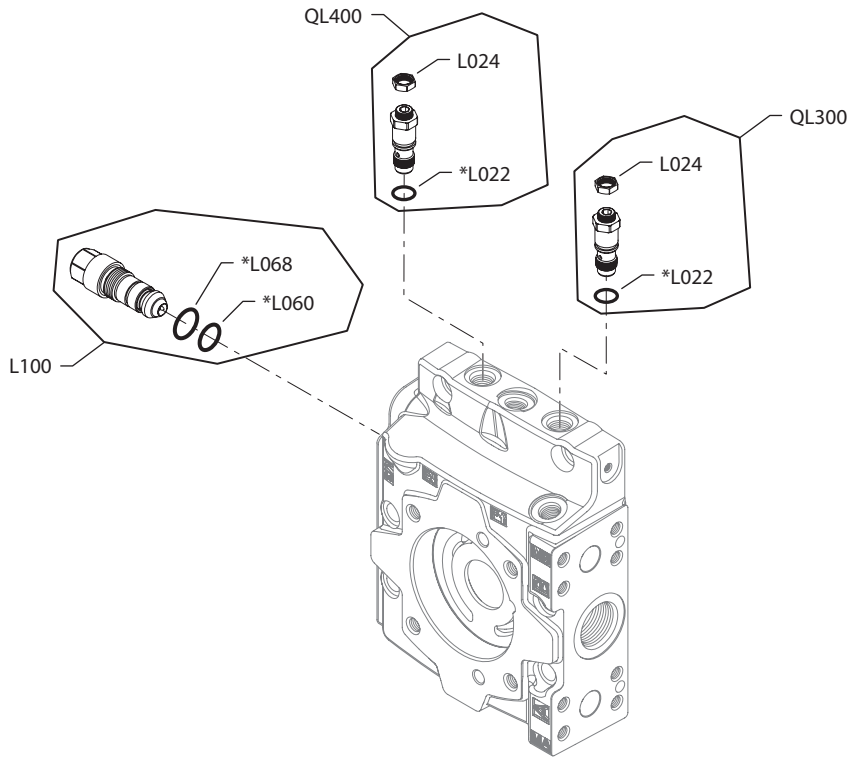
High pressure setting, port B

Order Code	Item	Date Begin	Date End	Part Number	Part Name	Qty. per Model/Kit
all	L022	10-48		041152	O-ring	1
	L024	10-48		11054668	Nut	1
	L060	10-48		141109	O-ring	1
	L068	10-48		11052215	O-ring	1
L15	L200	10-48		11049121	High pressure relief valve, 200 bar	1
	QL300	10-48		11050482	Pressure limiter kit, adjustable, CW rotation pump	1
	QL400	10-48		11050482	Pressure limiter kit, adjustable, CCW rotation pump	1
L18	L200	10-48		11049122	High pressure relief valve, 230 bar	1
	QL300	10-48		11050482	Pressure limiter kit, adjustable, CW rotation pump	1
	QL400	10-48		11050482	Pressure limiter kit, adjustable, CCW rotation pump	1
L20	L200	10-48		11049123	High pressure relief valve, 250 bar	1
	QL300	10-48		11050482	Pressure limiter kit, adjustable, CW rotation pump	1
	QL400	10-48		11050482	Pressure limiter kit, adjustable, CCW rotation pump	1
L23	L200	10-48		11049124	High pressure relief valve, 280 bar	1
	QL300	10-48		11050482	Pressure limiter kit, adjustable, CW rotation pump	1
	QL400	10-48		11050482	Pressure limiter kit, adjustable, CCW rotation pump	1
L25	L200	10-48		11049125	High pressure relief valve, 300 bar	1
	QL300	10-48		11050482	Pressure limiter kit, adjustable, CW rotation pump	1
	QL400	10-48		11050482	Pressure limiter kit, adjustable, CCW rotation pump	1
L28	L200	10-48		11049126	High pressure relief valve, 330 bar	1
	QL300	10-48		11050482	Pressure limiter kit, adjustable, CW rotation pump	1
	QL400	10-48		11050482	Pressure limiter kit, adjustable, CCW rotation pump	1
L30	L200	10-48		11049127	High pressure relief valve, 350 bar	1
	QL300	10-48		11050482	Pressure limiter kit, adjustable, CW rotation pump	1
	QL400	10-48		11050482	Pressure limiter kit, adjustable, CCW rotation pump	1
L33	L200	10-48		11049128	High pressure relief valve, 380 bar	1
	QL300	10-48		11050482	Pressure limiter kit, adjustable, CW rotation pump	1
	QL400	10-48		11050482	Pressure limiter kit, adjustable, CCW rotation pump	1
L35	L200	10-48		11049129	High pressure relief valve, 400 bar	1
	QL300	10-48		11050482	Pressure limiter kit, adjustable, CW rotation pump	1
	QL400	10-48		11050482	Pressure limiter kit, adjustable, CCW rotation pump	1
L38	L200	10-48		11049130	High pressure relief valve, 420 bar	1
	QL300	10-48		11050482	Pressure limiter kit, adjustable, CW rotation pump	1
	QL400	10-48		11050482	Pressure limiter kit, adjustable, CCW rotation pump	1
L40	L200	10-48		11049131	High pressure relief valve, 450 bar	1
	QL300	10-48		11050482	Pressure limiter kit, adjustable, CW rotation pump	1
	QL400	10-48		11050482	Pressure limiter kit, adjustable, CCW rotation pump	1



Variable displacement pump

(L41 - L48)



generic end cap shown

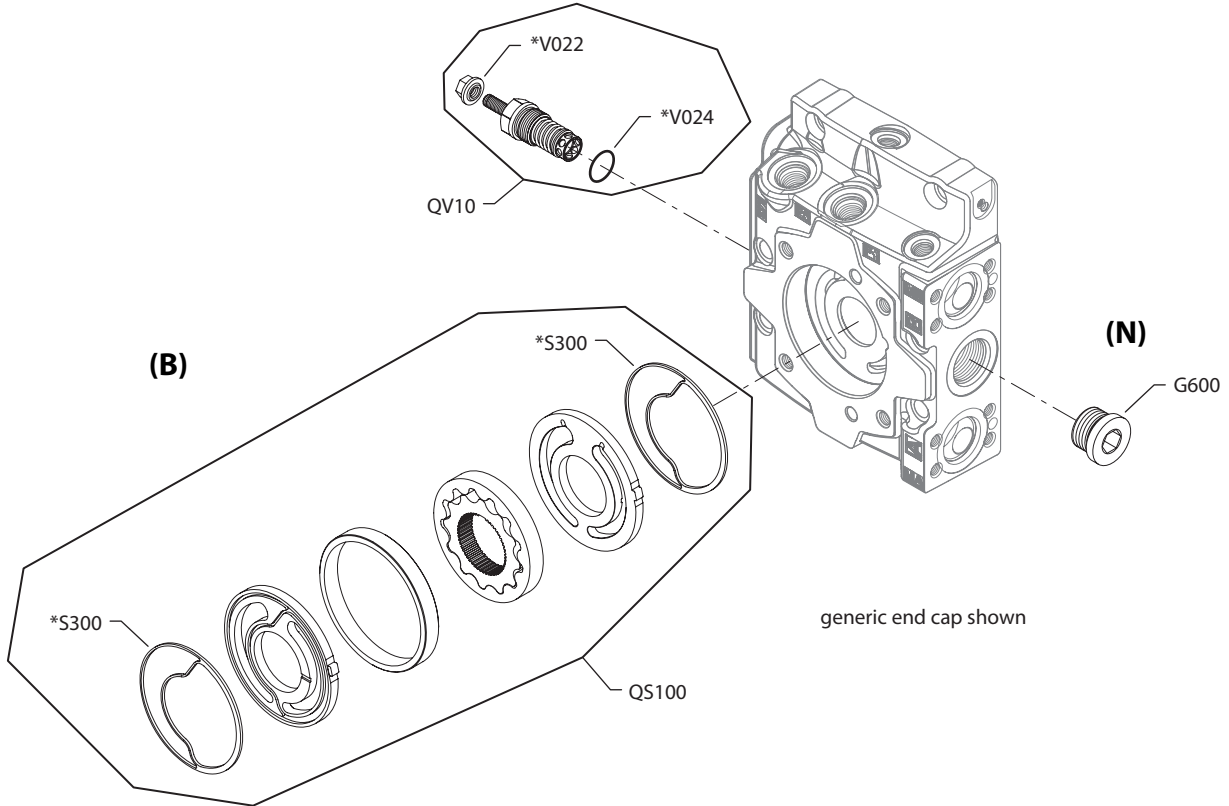

Variable displacement pump
High pressure setting, port B

Order Code	Item	Date Begin	Date End	Part Number	Part Name	Qty. per Model/Kit
all	L022	10-48		041152	O-ring	1
	L024	10-48		11054668	Nut	1
	L060	10-48		365023	O-ring	1
	L068	10-48		11052201	O-ring	1
L41	L200	10-48		11049131	High pressure relief valve, 450 bar	1
	QL300	10-48		11050482	Pressure limiter kit, adjustable, CW rotation pump	1
	QL400	10-48		11050482	Pressure limiter kit, adjustable, CCW rotation pump	1
L42	L200	10-48		11049131	High pressure relief valve, 450 bar	1
	QL300	10-48		11050482	Pressure limiter kit, adjustable, CW rotation pump	1
	QL400	10-48		11050482	Pressure limiter kit, adjustable, CCW rotation pump	1
L43	L200	10-48		11049132	High pressure relief valve, 480 bar	1
	QL300	10-48		11050482	Pressure limiter kit, adjustable, CW rotation pump	1
	QL400	10-48		11050482	Pressure limiter kit, adjustable, CCW rotation pump	1
L44	L200	10-48		11049132	High pressure relief valve, 480 bar	1
	QL300	10-48		11050482	Pressure limiter, adjustable, CW rotation pump	1
	QL400	10-48		11050482	Pressure limiter, adjustable, CCW rotation pump	1
L43	L200	07-19		11049132	High pressure relief valve, 480 bar (SB-2009-007)	1
	QL300	07-19		11050482	Pressure limiter kit, adjustable, CW rotation pump	1
	QL400	07-19		11050482	Pressure limiter kit, adjustable, CCW rotation pump	1
L44	L200	07-19		11049132	High pressure relief valve, 480 bar (SB-2009-007)	1
	QL300	07-19		11050482	Pressure limiter kit, adjustable, CW rotation pump	1
	QL400	07-19		11050482	Pressure limiter kit, adjustable, CCW rotation pump	1
L45	L200	07-19		11049132	High pressure relief valve, 480 bar (SB-2009-007)	1
	QL300	07-19		11050482	Pressure limiter kit, adjustable, CW rotation pump	1
	QL400	07-19		11050482	Pressure limiter kit, adjustable, CCW rotation pump	1
L46	L200	07-19		11049133	High pressure relief valve, 510 bar (SB-2009-007)	1
	QL300	07-19		11050482	Pressure limiter kit, adjustable, CW rotation pump	1
	QL400	07-19		11050482	Pressure limiter kit, adjustable, CCW rotation pump	1
L47	L200	07-19		11049133	High pressure relief valve, 510 bar (SB-2009-007)	1
	QL300	07-19		11050482	Pressure limiter kit, adjustable, CW rotation pump	1
	QL400	07-19		11050482	Pressure limiter kit, adjustable, CCW rotation pump	1
L48	L200	07-19		11049133	High pressure relief valve, 510 bar (SB-2009-007)	1
	QL300	07-19		11050482	Pressure limiter kit, adjustable, CW rotation pump	1
	QL400	07-19		11050482	Pressure limiter kit, adjustable, CCW rotation pump	1

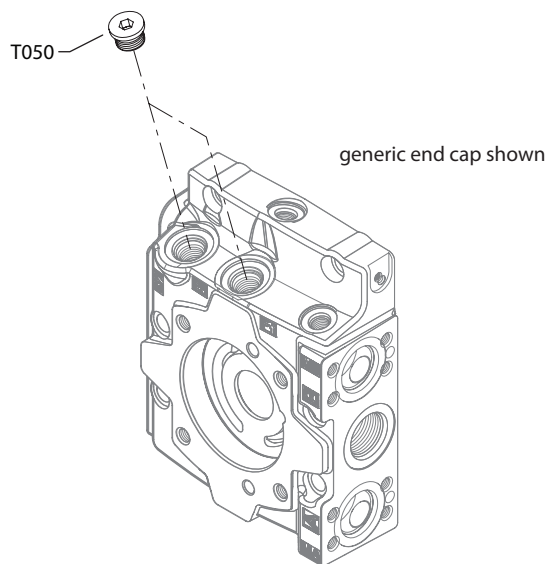


Variable displacement pump

(18-32)



(E & P)



E100 949E

* = included in overhaul seal kit Q210


Variable displacement pump
Charge pump

Order Code	Item	Date Begin	Date End	Part Number	Part Name	Qty. per Model/Kit
B	QS100	07-19		11016545	Charge pump kit, 12 cc	1
	S300	07-19		11126777	Seal ring (SB-2009-028 & SB-2013-019)	2
N	G600	07-19		320002 (9005110-9200)	Plug assembly	1

Filtration

E	T050	07-19		315325 (9005110-8700)	Plug assembly	2
L		07-19		None		
P	T050	07-19		315325 (9005110-8700)	Plug assembly	2

Charge pressure relief

18-32	QV10	07-19		11017127	Charge relief valve kit	1
	V022	07-19		612291 (9003508-0008)	Seal nut	1
	V024	07-19		001149 (9004201-6200)	O-ring	1


Variable displacement pump
Overhaul seal kit

Order Code	Item	Date Begin	Date End	Part Number	Part Name	Qty. per Model/Kit
	Q210	07-19		11178402	Overhaul seal kit	1
	D060	06-01		612291 (9003508-0008)	Seal nut, M8 x 1	1
	D150	07-19		11173377	Control gasket	1
	D611	07-19		11066774	O-ring, 10.82 x 1.78, viton	2
	E020	07-19		5000732	O-ring, 45.47 x 1.78, nitrile	2
	E025	07-19		11028034	Piston seal ring	2
	E250	07-19		5000709	O-ring, 56.82 x 2.62, viton	2
	E500	07-19		505412 (9003509-0008)	Seal nut, M8 x 1.25, coarse thread	1
	E550	07-19		505412 (9003509-0008)	Seal nut, M8 x 1.25, coarse thread	1
	G150	07-19		141504	End cap gasket	1
	J250	07-19		141936	Lip seal	1
	J260	07-19		9004104-2310	O-ring, 66.27 x 3.53, viton	1
	K150	07-19		11029873	Adapter flange gasket	1
	L022	07-19		041152	O-ring, 12.00 x 2.00, nitrile	2
	L060	07-19		141109	O-ring, 16.00 x 1.50, viton	2
	L068	07-19		11052215	O-ring, 19.30 x 2.46, viton	2
	QD26	07-19		11001952	O-ring, 18.00 x 1.50, viton	2
	QD81	10-27		11059551	O-ring, 9.50 x 1.78, viton	1
	QD81	10-27		11152257	O-ring, 9.00 x 1.80, nitrile	1
	QD751	10-27		001131 (9004201-5000)	O-ring, 16.36 x 2.21, nitrile	1
	QH131	10-04		11013397	O-ring, 15.60 x 1.78, viton	1
	S300	07-19		11126777	Ring seal	2
	V022	07-19		612291 (9003508-0008)	Seal nut, M8 x 1, fine thread	1
	V024	07-19		001149 (9004201-6200)	O-ring, 19.18 x 2.46, nitrile	1

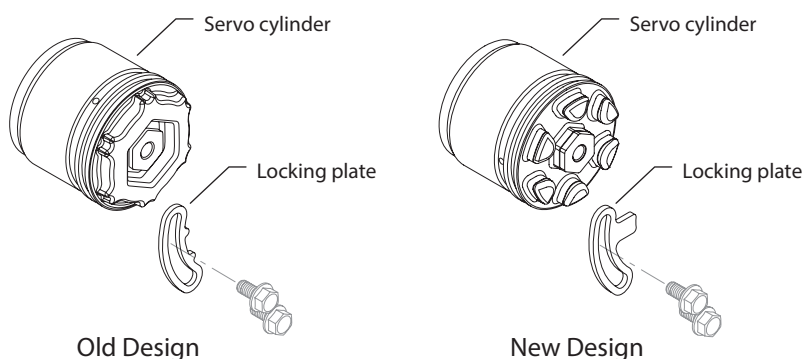


Service Bulletin: SB-2007-004

Products affected H1 45 and 53cc single and tandem pumps

Subject Servo cylinder and locking plate change

Description As a product improvement, Sauer-Danfoss has changed the servo cylinder and locking plate. The old servo cylinder locking plate wasn't strong enough to hold the servo cylinder while tightening the seal nut on the displacement limiters. The new servo cylinder has a larger locking area to allow for a larger locking plate tab for added strength. The old servo cylinders are obsolete and no longer available for service. The old locking plate will remain available for repair. The new and old designs are interchangeable.



Models affected All H1 45 and 53cc single and tandem pumps.

Serial numbers This change became effective at serial number A-07-23-xxxxx for adjustable servo cylinders and at serial number A-07-30-xxxxx for non-adjustable servo cylinders.

Part numbers affected

Description	Old part number	New part number
Servo cylinder, non-adjustable	142040	11013883
Servo cylinder, adjustable	142041	11015561
Locking plate	141940	11013910

Parts disposition ■ Interchangeable

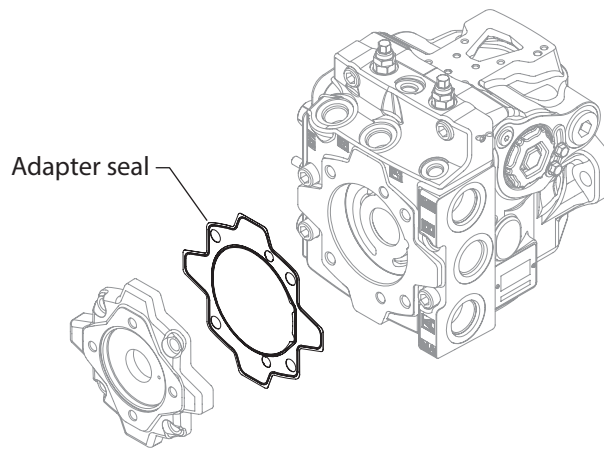


Service Bulletin: SB-2007-023

Products affected H1 45 and 53cc single pumps

Subject Adapter pad seal

Description As a product improvement, Sauer-Danfoss has changed the adapter seal on H1 45 and 53cc pumps. The new seal helps protect the adapter pad area from rust. The new and old adapter seal are interchangeable. The old adapter seal is obsolete and no longer available for service.



Models affected All H1 45cc single pumps.

Serial numbers This change became effective at serial number A-08-11-xxxxx.

Part numbers affected

Description	Old part number	New part number
Adapter pad seal	140929	11029873

Parts disposition ■ Interchangeable

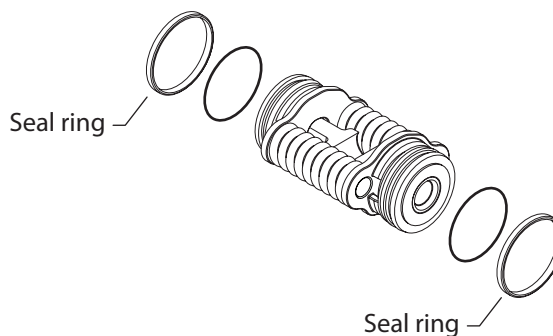


Service Bulletin: SB-2007-026

Products affected H1 45 and 53cc single and tandem pumps

Subject Servo piston seal ring

Description As a product improvement, Sauer-Danfoss has changed the servo piston seal rings. The new and old seal rings are interchangeable. The old servo piston seal ring and assembly are obsolete and no longer available for service. A new servo piston assembly has been created.



Models affected All H1 45 and 53cc single and tandem pumps.

Serial numbers This change became effective at serial number A-07-44-xxxxx.

Part numbers affected

Description	Old part number	New part number
Servo piston	141965	11016260
Nested servo piston	141730	11016261
Seal ring	141962	11028034

Parts disposition ■ Interchangeable



Service Bulletin: SB-2007-033

Products affected

H1 pumps

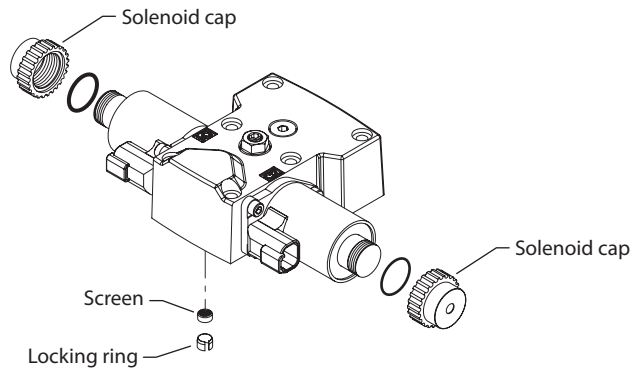
Subject

Control solenoid nut and screen locking ring

Description

As a product improvement, Sauer-Danfoss changed the design of the EDC solenoids to avoid potential corrosion by changing the nut that holds the coil on the solenoid tube. The new nut has a closed cap design, which eliminates the potential of moisture to ingress past the solenoid tube threads. The new EDC and nut are functionally and physically interchangeable in all applications.

A locking ring was also added to the controls. The locking ring will prevent the screen from falling out of the control during installation to the pump. The new locking ring can not be used in older style controls as the port is not drilled deep enough.



Models affected

All H1 pumps.

Serial numbers

Locking ring and solenoid nut.

Option	45/53cc	78cc	147/165cc
A2	08-11-xxxxx	07-50-xxxxx	07-50-xxxxx
A3	08-11-xxxxx	07-50-xxxxx	07-50-xxxxx
A6	08-11-xxxxx	07-50-xxxxx	07-50-xxxxx
C1		07-39-xxxxx	07-39-xxxxx

Locking ring only

Option	45/53cc	78cc	147/165cc
A4	08-11-xxxxx	08-16-xxxxx	08-16-xxxxx
A5	08-11-xxxxx	08-16-xxxxx	08-16-xxxxx

Part numbers affected

Description	Part number
Locking ring	11012505

Parts disposition

- Interchangeable
- Use parts in stock

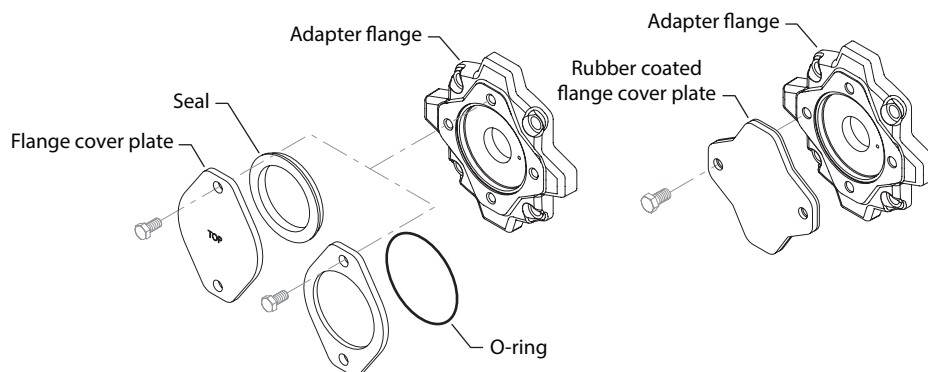


Service Bulletin: SB-2008-038

Products affected H1 pumps

Subject Rubber coated auxiliary flange cover

Description Sauer-Danfoss has replaced the H1 pump auxiliary flange cover plate with a new rubber coated plate for all auxiliary flanges. The O-ring or donut style seal is no longer needed. The adapter flange interface to the auxiliary pump did not change, making this an interchangeable change. The new rubber coated cover plate can not be used as a running cover, if an auxiliary pump is not installed. The old cover and seal will need to be used for a running cover.



Models affected All H1 pumps.

Serial numbers

Pad type	45/53cc	78cc	147/165cc
A	A-08-33-xxxxx	N-07-32-xxxxx	N-08-12-xxxxx
B	A-08-33-xxxxx	N-08-36-xxxxx	N-08-36-xxxxx
C	N/A	N-08-36-xxxxx	N-08-36-xxxxx
D	N/A	N/A	N-08-36-xxxxx

Part numbers affected

Pump size	Pad type	Description	Old part number	New part number
45 and 53 cc	A	Cover plate	4460586	11017125
		Seal	4800482	
78 cc	A	Cover plate	9802336	11017125
		O-ring	9004104-1520	
147 and 165 cc	A	Cover plate	9802336	11017125
		O-ring	9004104-1520	
45 and 53 cc	Cover plate	B	11023746	
		Seal	8801061	
78 cc	B	Cover plate	4460370	11023746
		O-ring	9004104-1540	
147 and 165 cc	B	Cover plate	4460370	11023747
		O-ring	9004104-1540	
45 and 53 cc	C	Cover plate	8800406	11023750
		O-ring	9004104-1580	
78 cc	C	Cover plate	8800406	11023748
		O-ring	9004104-1580	
147 and 165 cc	D	Cover plate	338400	11023751
		O-ring	726927	

Parts disposition ■ Interchangeable



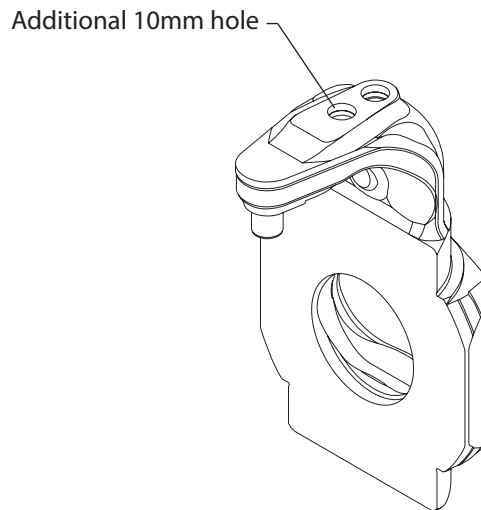
Service Bulletin: SB-2008-056

Products affected H1 variable pumps

Subject Swashplate angle sensor

Description Sauer-Danfoss has added a 10mm hole to the swashplate for mounting an optional swashplate angle sensor. The new swashplate can be used in place of the old swashplate, but the old swashplate can not be used in place of the new swashplate if the pump has an optional swashplate angle sensor.

The old swashplate will become obsolete and no longer available for service.



Models affected All H1 045/053 cc single and tandem pumps.

Serial numbers This change became effective at serial number A-09-10-xxxxx.

Part numbers affected

Description	Old part number	New part number
Swashplate	141696	11036038

Parts disposition

- Non-interchangeable Use
- parts in stock



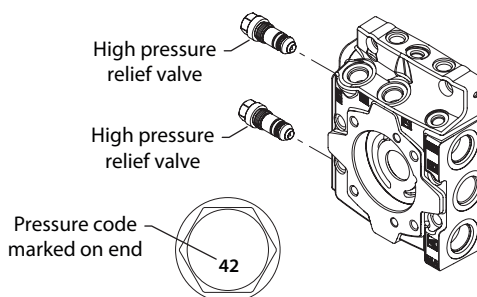
Service Bulletin: SB-2009-007

Products affected H1 pumps, 45 thru 100 cc

Subject High pressure relief valve

Description As a continuous improvement, Sauer-Danfoss is changing the H1 high pressure relief valves used in 45 thru 100 cc pumps. The new valves will have a different weld process that locks the pressure setting. The new valves are completely interchangeable with the old valves.

The part numbers for the valves are being changed to better track this change. The part number for the different settings will be incorporated into the system at different dates over the next 12 to 14 months. The old part numbers will become obsolete.



Models affected All H1 45 thru 100 cc variable pumps.

Serial numbers The part number for the different settings will be incorporated into the system at different dates over the next 12 to 14 months.

Part numbers affected

High pressure relief valves		
Old part number	New part number	Pressure setting
11006825	11049130	420 bar
11006826	11049131	450 bar
11006827	11049132	480 bar
11006828	11049133	510 bar
11006822	11049127	350 bar
11006817	11049123	250 bar
11006821	11049126	330 bar
11006823	11049128	380 bar
11006824	11049129	400 bar
11006813	11049120	180 bar
11006816	11049122	230 bar
11006819	11049125	300 bar
11006814	11049121	200 bar
11006818	11049124	280 bar

- Parts disposition**
- Interchangeable
 - Order replacement parts
 - Revise existing part orders

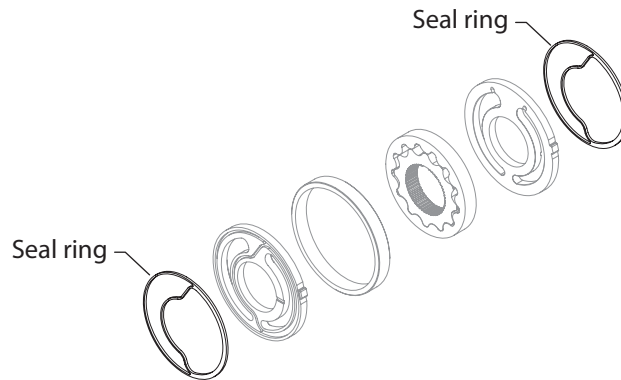


Service Bulletin: SB-2009-028

Products affected H1 pumps with 9,12, 14 or 17 cc charge pumps

Subject Material change to port plate seal rings

Description The material of the seal-ring for the charge pump port plates has changed. This change was previously done to the larger frame size pumps. To better track this change, the part number has changed. The new part number is completely interchangeable with the old part number. The old part number will become obsolete and not available for service.



Models affected All H1 pumps using 9,12, 14 or 17 cc charge pumps

Serial numbers This change became effective at serial number A09-22-xxxxx.

Part numbers affected

Description	Old part number	New part number
Seal	140918	11009457

- Parts disposition**
- Interchangeable
 - Order replacement parts
 - Revise existing part orders



Service Bulletin: SB-2009-043

Products affected H1 pumps, 45 and 53 cc pumps

Subject Swashplate supplier change

Description The supplier has changed, for the swashplate used in H1 45 and 53 cc pumps. The new swashplate is interchangeable with the old swashplate. A new part number has been assigned to the new swashplate to better track this change. The old swashplate has become obsolete.

Models affected All H1 45 and 53 cc variable pumps.

Serial numbers This change became effective at serial number A10-07-xxxxx. (15 February 2010)

Part numbers affected

Description	Old part number	New part number
Swashplate	141696	11068797
Swashplate	11036038	11068797

Parts disposition

- Interchangeable
- Use parts in stock
- Order replacement parts
- Revise existing part orders



Service Bulletin: SB-2009-051

Products affected H1 45/53 cc single and tandem pumps

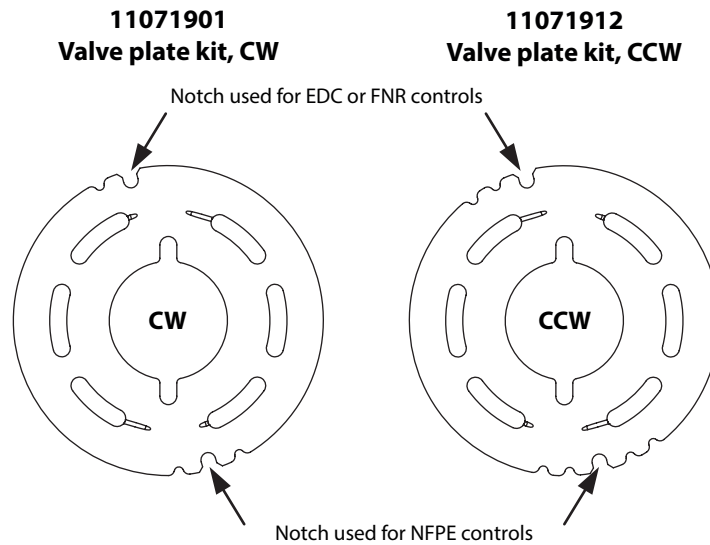
Subject Valve plate change

Description As part of continuing product improvement efforts, Sauer-Danfoss is implementing a design change to the valve plates used in H1 45 and 53 cc single and tandem pumps. The old valve plate should be replaced at first repair. The new valve plates are interchangeable with the old valve plate, but the old valve plate should not replace the new valve plate. The old valve plates are replaced with kits that include the valve plate and instructions on how to orientate the valve plate for proper operation. The old valve plate will become obsolete and not available.

This valve plate change also requires a change to the Special Hardware Features order code. The code is specified as PN, replacing the NN call out. See Product Information Bulletin (PIB) number HY2009-015 for more details.

Proper orientation of valve plates:

These valve plates are manufactured with large locator pin notches on opposite sides from each other and smaller identification notches. The large notches are to fit over the locator pin in the pump end cap or center section. The large notch on one side is to be used with Electric Displacement Control (EDC) or Forward-Neutral-Reverse (FNR) controls, and the large notch on the opposite side is to be used with Non-Feedback Proportional Electric (NFPE) controls (different timing). The large notch that has small notches at one side of it is to be used with EDC or FNR controls. The large notch that has small notches on both sides of it is to be used with NFPE controls. The small notches are also used to identify valve plate rotation. Three small notches indicate a CW (right hand) rotation valve plate, and a valve plate with six small notches indicates CCW (left hand) rotation.





Service Bulletin: SB-2009-051

Models affected All H1 45 and 53 cc, single and tandem pumps

Serial numbers This change became effective at serial number A09-37-xxxxx. (8 September 2009)

Part numbers affected

Description	Old part number	New part number
Valve plate, CW	141324	11071901 (kit)
Valve plate, CCW	141555	11071912 (kit)

Parts disposition

- Interchangeable for new to replace old
- Non-interchangeable for old to replace new
- Return new parts for credit
- Order replacement parts
- Revise existing part orders



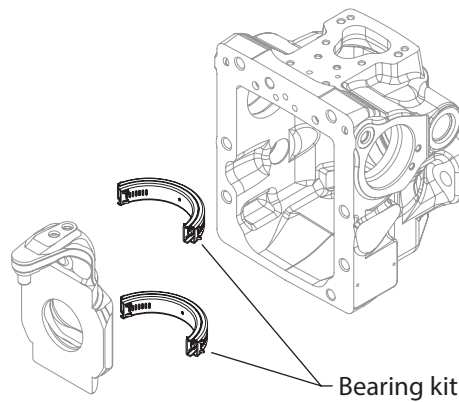
Service Bulletin: SB-2010-020

Products affected H1, 45cc and 53cc pumps and tandem pumps

Subject Swashplate bearing change

Description The supplier has changed for the swashplate bearing kits used in the H1, 45cc and 53cc pumps and tandem pumps. New part numbers have been assigned for tracking purposes.

The old swashplate bearing kits and the new swashplate bearing kits are interchangeable. The old swashplate bearing kits are obsolete and no longer available for service.



Models affected All H1, 45 and 53cc pumps and tandem pumps.

Serial numbers This change became effective at serial number: A-10-41-XXXXX (11-Oct-2010)

Part numbers affected

Description	Old part number	New part number
Swashplate bearing kit	4510465	11085533

- Parts disposition**
- Interchangeable - only new for old, but not old bearing for new
 - Scrap used parts
 - Order replacement parts
 - Revise existing part orders



Service Bulletin: SB-2011-020

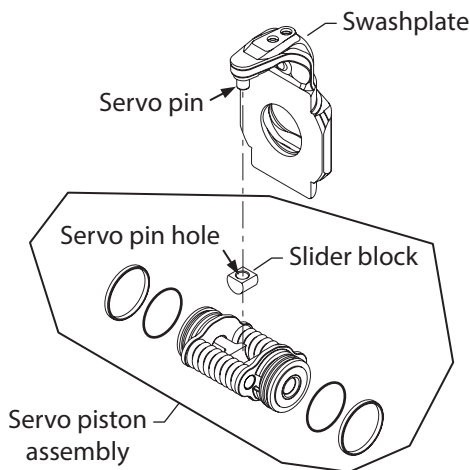
Products affected H1 45 and 53cc pumps

Subject Swashplate change

Description This is a design change for H1 45 and 53cc pumps replacing the forged swashplate which has an 11mm diameter servo pin with a cast swashplate which, has a 13mm diameter servo pin. The servo slider block will also change to accommodate the new pin diameter. The old swashplate is interchangeable with the new swashplate, if the new slider block is also used.

A swashplate replacement kit with a 13mm slider block was created for service. Servo piston assembly replacement kits have also been created. These kits contain both 10mm and 13mm slider blocks to accommodate old or new swashplate.

The old swashplate and servo piston assemblies are obsolete and no longer available. The old slider block will remain available.



Models affected H1 45 and 53cc pumps

Serial numbers This change became effective at serial number A-12-21-105568 (20-May-2012).

Part numbers affected

Description	Old part number	New part number	Replacement kit
Slider block	141939	11014805	none
Swashplate	11068797	11068328	11098280
Servo piston assembly	11016260	11094107	11098278
Servo piston assy, nested	11016261	11094283	11098279

Parts disposition ■ Non-interchangeable

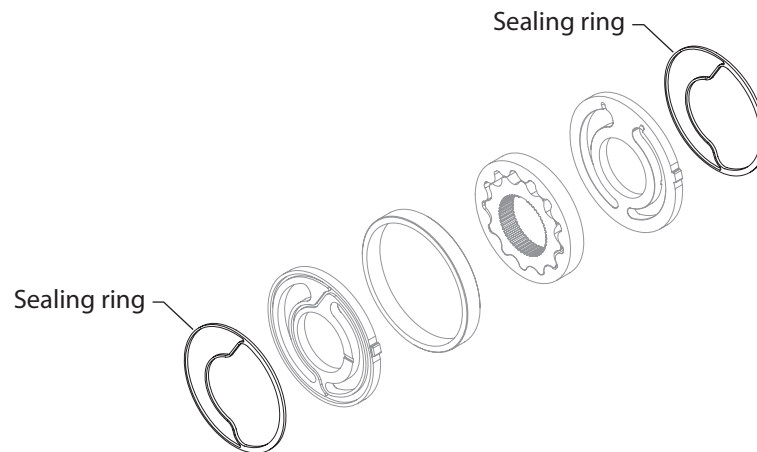


Service Bulletin: SB-2013-019

Products affected H1 pumps

Subject Charge pump seal

Description As a product improvement, Sauer-Danfoss has changed the material on the sealing ring in the charge pump port plates of H1 pumps. The part number was changed for tracking purposes because the parts look similar. The old part numbers will become obsolete and no longer available as service parts.



Models affected H1 pumps

Serial numbers Part #11126778 took effect at serial number: N-13-23-00773 (04June2013)
 Part #11126777 took effect at serial number: N-13-22-25411 (28 May2013)

Part numbers affected

Description	Old part number	New part number
Seal Ring, H1P115-165 port plate	11008462	11126778
Seal Ring, H1P045-100 port plate	11009457	11126777

Parts disposition

- Interchangeable
- Scrap used parts

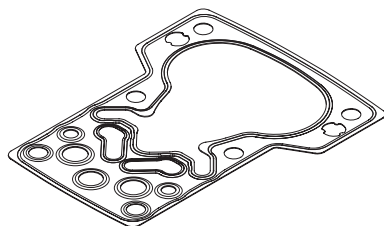


Service Bulletin: SB-2016-033

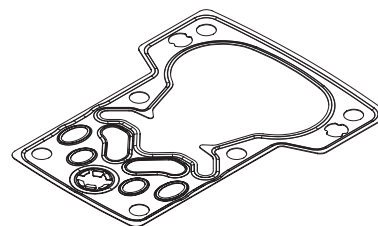
Products affected H1 pumps and tandems, MP1 and M46 control kits

Subject Control Gasket

Description Danfoss Power Solutions has made a two-part design change to the control gasket used on H1 pumps and tandems and in MP1 and M46 control kits. The electrical displacement controls (EDC) have changed from an 8mm port to 12mm with tabs on the pressure port. The interim gasket used in the manual displacement controls has changed from a 10mm port to 12mm with tabs in the pressure port. The gasket is now a common part to all pump models and control service kits. The new part can be substituted for the old part, but the old part cannot be substituted for the new part.



Old gasket



New gasket

Models affected H1 pumps and tandems, MP1 control kits, M46 control kits

Serial numbers
 H1 Pumps - This change became effective on N-16-36-30132
 H1 Tandems - This change became effective on N-16-37-30132
 MP1 Control Kits - This change became effective on N-16-32-xxxxx
 M46 Control Kits - This change became effective on N-16-32-xxxxx

Part numbers affected

Description	Old part number	New part number
Electrical displacement control gasket	140879	11173377
Manual displacement control gasket	11159911	11173377

Parts disposition ■ Interchangeable - may substitute new for old



Notes



Notes



Products we offer:

- Bent Axis Motors
- Closed Circuit Axial Piston Pumps and Motors
- Displays
- Electrohydraulic Power Steering
- Electrohydraulics
- Hydraulic Power Steering
- Integrated Systems
- Joysticks and Control Handles
- Microcontrollers and Software
- Open Circuit Axial Piston Pumps
- Orbital Motors
- PLUS+1® GUIDE
- Proportional Valves
- Sensors
- Steering
- Transit Mixer Drives

Danfoss Power Solutions is a global manufacturer and supplier of high-quality hydraulic and electronic components. We specialize in providing state-of-the-art technology and solutions that excel in the harsh operating conditions of the mobile off-highway market. Building on our extensive applications expertise, we work closely with our customers to ensure exceptional performance for a broad range of off-highway vehicles.

We help OEMs around the world speed up system development, reduce costs and bring vehicles to market faster.

Danfoss – Your Strongest Partner in Mobile Hydraulics.

Go to www.powersolutions.danfoss.com for further product information.

Wherever off-highway vehicles are at work, so is Danfoss.

We offer expert worldwide support for our customers, ensuring the best possible solutions for outstanding performance. And with an extensive network of Global Service Partners, we also provide comprehensive global service for all of our components.

Please contact the Danfoss Power Solution representative nearest you.

Comatrol

www.comatrol.com

Schwarzmueller-Inverter

www.schwarzmueller-inverter.com

Turolla

www.turollaocg.com

Valmova

www.valmova.com

Hydro-Gear

www.hydro-gear.com

Daikin-Sauer-Danfoss

www.daikin-sauer-danfoss.com

Local address:

Danfoss Power Solutions US Company

2800 East 13th Street
Ames, IA 50010, USA
Phone: +1 515 239 6000

Danfoss Power Solutions GmbH & Co. OHG

Krokamp 35
D-24539 Neumünster, Germany
Phone: +49 4321 871 0

Danfoss Power Solutions ApS

Nordborgvej 81
DK-6430 Nordborg, Denmark
Phone: +45 7488 4444

Danfoss Power Solutions

Building #22, No. 1000 Jin Hai Rd
Jin Qiao, Pudong New District
Shanghai, China 201206
Phone: +86 21 3418 5200

Danfoss can accept no responsibility for possible errors in catalogues, brochures and other printed material. Danfoss reserves the right to alter its products without notice. This also applies to products already on order provided that such alterations can be made without subsequential changes being necessary in specifications already agreed. All trademarks in this material are property of the respective companies. Danfoss and the Danfoss logotype are trademarks of Danfoss A/S. All rights reserved.