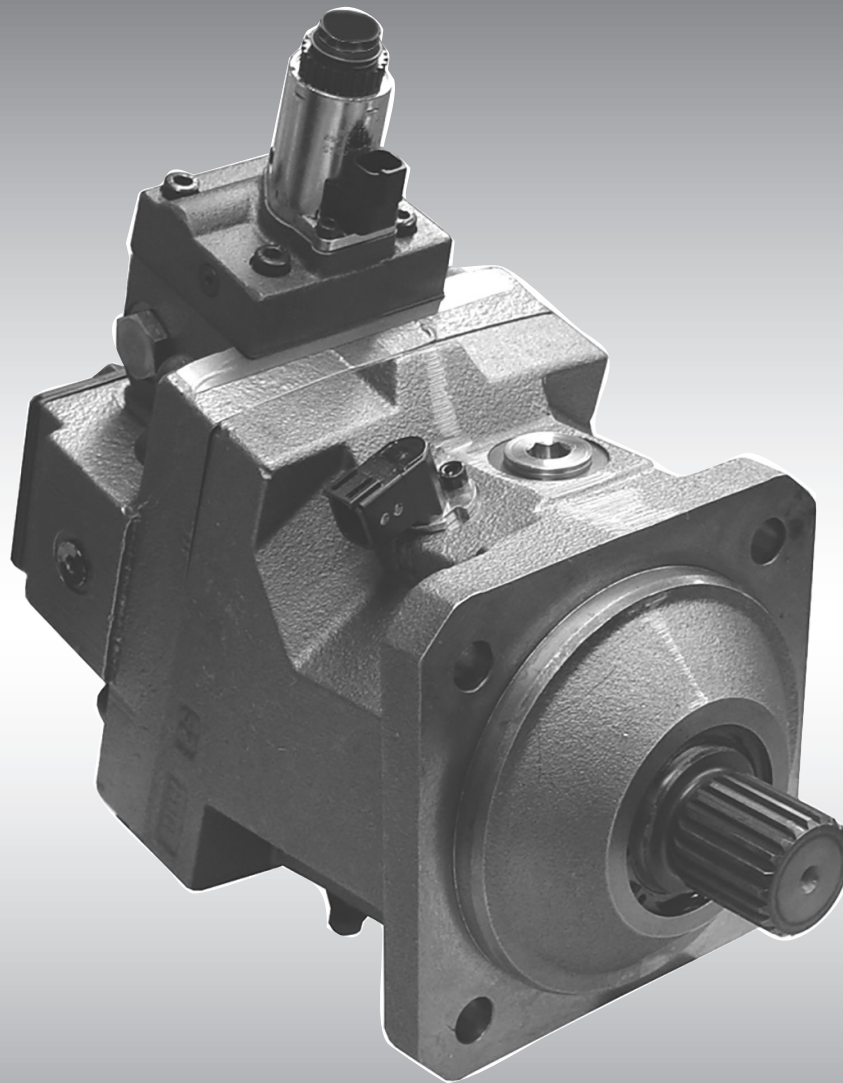


MAKING MODERN LIVING POSSIBLE



Base Model Conversion Manual

H1B Bent Axis Motors



powersolutions.danfoss.com



**Revisions****Revision History***Table of Revisions*

Date	Page	Changed	Rev.
December 2015	various	Add 210 frame size	0200
November 2015	5, 7, 11	Revised the Model Code	0100
June 2015	various	add new controls THHA, THHB	AG
February 2015	various	add new controls	AF
July 2014	9	correction to D1/M1 Servo supply kit number	AE
June 2014	5	Sauer-Danfoss to Danfoss	AD
May 2014	66	add shaft options	AC
April 2014	various	add options	AB
January 2014	-	first edition	AA


Contents

General Information	Parts Identification.....	5
	Nameplate	5
	Date Code	6
	Service Bulletins.....	6
	Procedure to Identify a Part.....	6
Base Model List	Base Model List	7
Control and Servo Supply Matrix	Overview	8
	Matrix - Detail	9
Reference Documents	Technical Information.....	10
	Datasheet.....	10
	Service Manual.....	10
	Repair Instructions.....	10
	Parts Manual.....	10
Order Code	Order Code	11
Parts	Control - B00E1, B00E2, B00K1, B00K2, B00L1, B00L2.....	12
	Control - B00M1, B00M2, B00P1, B00P2, B00T1, B00T2.....	14
	Control - B00D1, B00D2, B00F1, B00F2, B00TA	16
	Control - B00TH.....	18
	Control - B00DH, B00LH, B00MH	20
	Servo Pressure Supply - C00MA, C00MH.....	22
	Servo Pressure Supply - C00AA, C00BA, C00CA	24
	Servo Pressure Supply - C00D1, C00D2	26
	Servo Pressure Supply - C00DA, C00EA	28
	Servo Pressure Supply - C00K1, C00K2	30
	Servo Pressure Supply - C00KA	32
	Servo Pressure Supply - C00HA, C00HB.....	34
	Orifice plug	40
	Endcap - PA.....	42
	Endcap - PB.....	47
	Endcap - RA	50
	Endcap - RB.....	54
	Endcap - TA	58
	Endcap - TB	62
	Housing - CN, CS	66
	Housing - DN, DS - 060, 080, 110, and 160 Frame.....	69
	Housing - VN, VS.....	73
	Shaft	78
	Speed Sensor	82
	Loop Flushing	83
	Special Hardware.....	86
	Overhaul Seal Kit	93



Notes



General Information

Parts Identification

The following information and procedure is used to identify the module group, item number, manufacture date, part number, and part name of the parts included in the H1B variable displacement motors.

The parts listed include all parts which may be used when performing “Conversions” on the H1B motor.

Nameplate

Each unit will have a nameplate affixed to the housing. The nameplate will include the following information.

Model Code

The Danfoss model code completely defines the specific unit and must be used when ordering parts to service this product.

Model Number

The Danfoss model number is used by the factory in manufacturing. On repeat orders, a complete unit can be ordered by the model number.

Serial Number

The Danfoss serial number is used to identify the manufacture date and the unit sequence in the build. The serial number is also used to identify the unit’s warranty time period.

The letter code indicates the location of original manufacture (assembly). “N” indicates the unit was originally assembled in Neumunster, Germany. “H” indicates the unit was originally assembled in Haiyan, China.

The first number (2 digits) indicates the year of manufacture. (“08” would indicate the unit was manufactured in 2008)

The second number (2 digits) indicates the calendar week of manufacture.

The third number (5 digits) is a sequential number used to identify a specific unit.





Date Code

The date code is defined as the year and week of manufacture. The same item number may list more than one part number. This indicates that there is more than one configuration for that item number. You will see that there are different date codes for the different part numbers. Find the date code of your unit from the nameplate to determine which service part number you need to order.

EXAMPLE: The service part desired is Item G30

Order Code	Item	Date Begin	Date End	Part Number	Part Name	Qty. per Model/Kit
80	G30	89-17		8000243	End cap gasket	1
	G30	87-02	89-16	8000151	End cap gasket (SB-1995-006)	1

All units using this order code with a date code of 87-02 and up to and including 89-16, must use part number "8000151". All units with a date code of 89-17 and newer must use part number "8000243."

Service Bulletins

A Service Bulletin Number (SB-____-____) may follow the "Part Name" of the part you desire. You must read that Service Bulletin prior to ordering that part. The information contained in these Service Bulletins, as of the print date of this bulletin, are included at the end of this manual. Service Bulletins contain more detailed information such as interchangeability, what additional parts are involved, etc. It is suggested that you add additional Service Bulletins to this manual as you receive them.

Procedure to Identify a Part

General

The modular design of H1B units results in a simplified service parts list and part number identification procedure.

The same item numbers are used for same part names on all units within a product type. (Example: The lip seal - Item G0020 has the same item number on all motors.)

A part number that has another number following it in parentheses is done to make this a world wide manual. The first number is sold in Germany. The number in parentheses is sold in the United States. (Example: 314583 (9008000-0118), customers would order 9008000-0118 if ordering the part in the United States.)

Example of a Part Identification

The nameplate on an H1 motor has an Order Code of H1B060 A A L1 BA N B PA DS GS S A 10 NN 016 N 00 NNN. Use the following procedures to determine the part number of the minimum angle set screw used on this motor.

- 1) Referring to the minimum displacement module in the Order Code (see page 7), the minimum angle set screw option for this motor is identified by the code "00". (H1B060 A A L1 BA N B PA DS GS S A 10 NN 016 N 00 NNN)
- 2) Referring to the Service Parts List, find the minimum displacement group. Next find the order code that relates to this unit, which is "016". The minimum angle set screw is found to be item N0010 and part number 11012777.



Base Model List

Product Identification Number	Model Code	Frame Size	Control Type
83022885	H1-B-060-A-A-NB-NT-N-N-TA-CS-GS-P-A-05-NN-012-Z-00-0NN	60	2 position
83022886	H1-B-060-A-A-NB-NT-N-N-TB-CS-GS-P-A-05-NN-012-Z-00-0NN	60	2 position
83022887	H1-B-060-A-A-NB-NT-N-N-TA-VS-AS-P-A-05-NN-012-Z-00-0NN	60	2 position
83022888	H1-B-060-A-A-NB-NT-N-N-TB-VS-AS-P-A-05-NN-012-Z-00-0NN	60	2 position
83034556	H1-B-060-A-A-NB-NT-N-N-TA-VS-AS-P-N-NN-NN-000-Z-00-0NN	60	2 position
83034557	H1-B-060-A-A-NB-NT-N-N-TB-VS-AS-P-N-NN-NN-000-Z-00-0NN	60	2 position
83022889	H1-B-080-A-A-NB-NT-N-N-TB-CS-HS-P-A-05-NN-016-Z-00-0NN	80	2 position
83022890	H1-B-080-A-A-NB-NT-N-N-TB-CS-JS-P-A-05-NN-016-Z-00-0NN	80	2 position
83022891	H1-B-080-A-A-NB-NT-N-N-TA-VS-AS-P-A-10-NN-016-Z-00-0NN	80	2 position
83022892	H1-B-080-A-A-NB-NT-N-N-TB-CS-AS-P-A-10-NN-016-Z-00-0NN	80	2 position
83034558	H1-B-080-A-A-NB-NT-N-N-TA-VS-AS-P-N-NN-NN-000-Z-00-0NN	80	2 position
83034559	H1-B-080-A-A-NB-NT-N-N-TB-VS-AS-P-N-NN-NN-000-Z-00-0NN	80	2 position
83022895	H1-B-080-A-A-NA-NR-N-N-PB-CS-HS-P-A-10-NN-016-N-00-0NN	80	Proportional
83022896	H1-B-080-A-A-NA-NR-N-N-PB-CS-JS-P-A-10-NN-016-N-00-0NN	80	Proportional
83022897	H1-B-080-A-A-NA-NR-N-N-PA-VS-AS-P-A-10-NN-016-N-00-0NN	80	Proportional
83022898	H1-B-080-A-A-NA-NR-N-N-PB-VS-AS-P-A-10-NN-016-N-00-0NN	80	Proportional
83022893	H1-B-110-A-A-NB-NT-N-N-TA-VS-ES-P-A-10-NN-022-Z-00-0NN	110	2 position
83022894	H1-B-110-A-A-NB-NT-N-N-TB-VS-JS-P-A-10-NN-022-Z-00-0NN	110	2 position
83022899	H1-B-110-A-A-NA-NR-N-N-PA-VS-ES-P-A-10-NN-022-N-00-0NN	110	Proportional
83022900	H1-B-110-A-A-NA-NR-N-N-PB-VS-JS-P-A-10-NN-022-N-00-0NN	110	Proportional
83034560	H1-B-110-A-A-NB-NT-N-N-TA-VS-ES-P-N-NN-NN-000-Z-00-0NN	110	2 position
83034561	H1-B-110-A-A-NB-NT-N-N-TB-VS-ES-P-N-NN-NN-000-Z-00-0NN	110	2 position
83022901	H1-B-160-A-A-NA-NR-N-N-PA-VS-FS-P-A-20-NN-032-N-00-0NN	160	Proportional
83022902	H1-B-160-A-A-NA-NR-N-N-PB-VS-KS-P-A-20-NN-032-N-00-0NN	160	Proportional
83034602	H1-B-160-A-A-NB-NT-N-N-TA-VS-ES-P-N-NN-NN-000-Z-00-0NN	160	2 position
83034603	H1-B-160-A-A-NB-NT-N-N-TB-VS-ES-P-N-NN-NN-000-Z-00-0NN	160	2 position
83046738	H1-B-160-A-A-NA-NR-N-N-PB-VS-ES-P-N-NN-NN-000-N-00-0NN	160	Proportional
83045302	H1-B-210-A-A-NA-NR-N-N-PA-VS-FS-P-N-NN-NN-042-N-00-0NN	210	Proportional
83045303	H1-B-210-A-A-NA-NR-N-N-PB-VS-DS-P-N-NN-NN-042-N-00-0NN	210	Proportional
83045304	H1-B-210-A-A-NB-NT-N-N-TA-VS-FS-P-N-NN-NN-042-Z-00-0NN	210	2 position
83045305	H1-B-210-A-A-NB-NT-N-N-TB-VS-DS-P-N-NN-NN-042-Z-00-0NN	210	2 position
83022905	H1-B-250-A-A-NA-NR-N-N-PA-VS-FS-P-A-30-NN-050-N-00-0NN	250	Proportional
83022906	H1-B-250-A-A-NA-NR-N-N-PB-VS-DS-P-A-30-NN-050-N-00-0NN	250	Proportional
83034604	H1-B-250-A-A-NB-NT-N-N-TA-VS-FS-P-N-NN-NN-000-Z-00-0NN	250	2 position
83034605	H1-B-250-A-A-NB-NT-N-N-TB-VS-FS-P-N-NN-NN-000-Z-00-0NN	250	2 position



Control and Servo Supply Matrix

Overview

		Option Code	Servo Supply																			
			No PCOR / No BPD					PCOR / No BPD				PCOR & BPD										
			BA	CA	EA	HE	HF	AA	DA	KA	MA	HA	D1	D2	K1	K2	M1	M2	MH	HB		
Control	Compatible with NA-NR Base Model Controls	Electric Proportional	D1														MAX					
			D2																MAX			
			K1 ⁽¹⁾								MIN						MIN					
			K2 ⁽¹⁾								MIN						MIN					
			L1	MAX																		
			L2	MAX																		
			M1 ⁽¹⁾		MIN																	
			M2 ⁽¹⁾		MIN																	
		Hyd. Prop.	LH	MAX																		
			MH ⁽¹⁾		MIN																	
	DH									MAX										MAX		
	Compatible with NB-NT Base Model Controls	Electric Two Position	E1					MAX														
			E2					MAX														
			F1			MIN																
			F2			MIN																
			T1						MIN				MIN									
			T2						MIN					MIN								
			P1						MIN				MIN									
			P2						MIN					MIN								
		Hyd. 2- Pos.	HE				MAX															
HF							MIN															
TH										MIN									MIN			
PC	TA						MIN				MIN	MIN										

⁽¹⁾Control option requires the endcap to be rotated 180 degrees.


Matrix - Detail
Electric Proportional Controls

Control Option	Control Kit Number	Servo Supply Option	Servo Supply Kit Number
D1	11001380	MA	11029750
		M1	11029745
D2	11007965	MA	11029750
		M2	11030094
K1	11026983	KA	11026987
		K1	11026985
K2	11026984	KA	11026987
		K2	11026986
L1	11001380	BA	11021483
L2	11007965		
M1	11026983	CA	11040373
M2	11026984		

Electric Two Position Controls

Control Option	Control Kit Number	Servo Supply Option	Servo Supply Kit Number
E1	11021165	AA	11021183
E2	11021166		
F1	11099283	EA	11099282
F2	11099284		
T1	11021167	DA	11021186
		D1	11021184
T2	11021168	DA	11021186
		D2	11021185

Hydraulic Proportional Controls

Control Option	Control Kit Number	Servo Supply Option	Servo Supply Kit Number
LH	11149624	BA	11021483
MH	11149625	MA	11040373
DH	11149624	MA	11029750
		MH	11051815

Hydraulic Two Position Controls

Control Option	Control Kit Number	Servo Supply Option	Servo Supply Kit Number
TH	11164140	HA	11162113
		HB	11162114
HE	-	HE	11069602
HF	-	HF	11069561
TA	11021182	DA	11021186
		D1	11021184
		D2	11021185

Constant Pressure

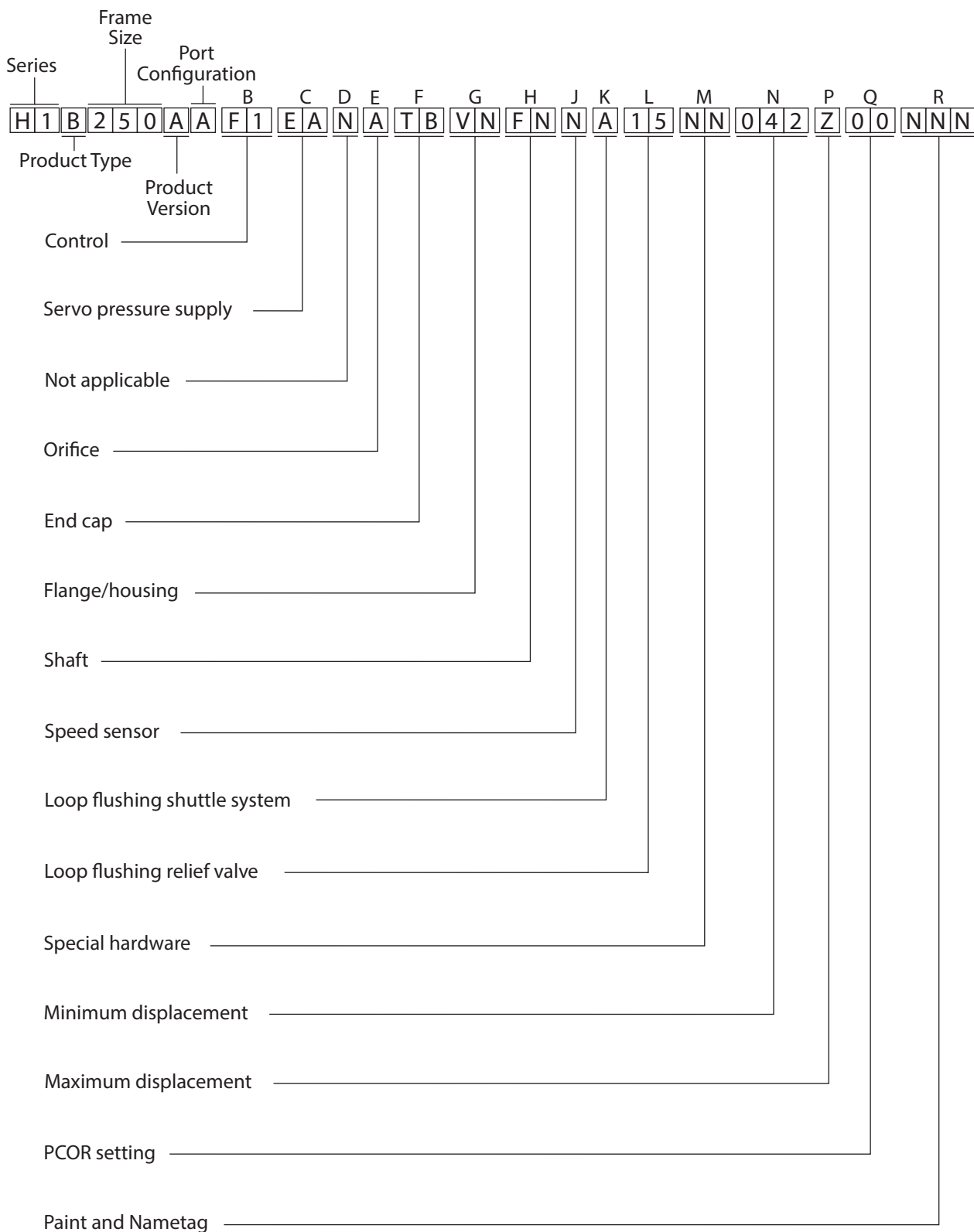
Control Option	Control Kit Number	Servo Supply Option	Servo Supply Kit Number
P1	11021170	D1	11021184
		DA	11021186
P2	11021171	D2	11021185
		DA	11021186


Reference Documents

Technical Information	<i>H1B Bent Axis Motors 060/080/110/160/210/250 - Technical Information Manual</i>	11037153
	<i>Speed and Temperature Sensor - Technical Information Manual</i>	11046759
Datasheet	<i>H1 Bent Axis Variable Displacement Motors - Product Line Overview</i>	L1019304
	<i>H1-The new Generation of Hydrostatics 060 Bent Axis Variable Motor - Data Sheet</i>	11068626
	<i>H1-The new Generation of Hydrostatics 080 Bent Axis Variable Motor - Data Sheet</i>	11055986
	<i>H1-The new Generation of Hydrostatics 110 Bent Axis Variable Motor - Data Sheet</i>	11042714
	<i>H1-The new Generation of Hydrostatics 160 Bent Axis Variable Motor - Data Sheet</i>	L1124250
	<i>H1-The new Generation of Hydrostatics 210 Bent Axis Variable Motor - Data Sheet</i>	AI00000260
	<i>H1-The new Generation of Hydrostatics 250 Bent Axis Variable Motor - Data Sheet</i>	L1315846
Service Manual	<i>H1B Bent Axis Motors 060/080/110/160/210/250 - Service Manual</i>	11024924
Repair Instructions	<i>H1B Bent Axis Motors 060/080/110/160/210/250 - Repair Instructions</i>	11020692
Parts Manual	<i>H1B 60cc Variable Displacement Motor - Parts Manual</i>	11056588
	<i>H1B 80cc Variable Displacement Motor - Parts Manual</i>	11050272
	<i>H1B 110cc Variable Displacement Motor - Parts Manual</i>	11044234
	<i>H1B 160cc Variable Displacement Motor - Parts Manual</i>	L1119730
	<i>H1B 210cc Variable Displacement Motor - Parts Manual</i>	AX00000239
	<i>H1B 250cc Variable Displacement Motor - Parts Manual</i>	L1301236



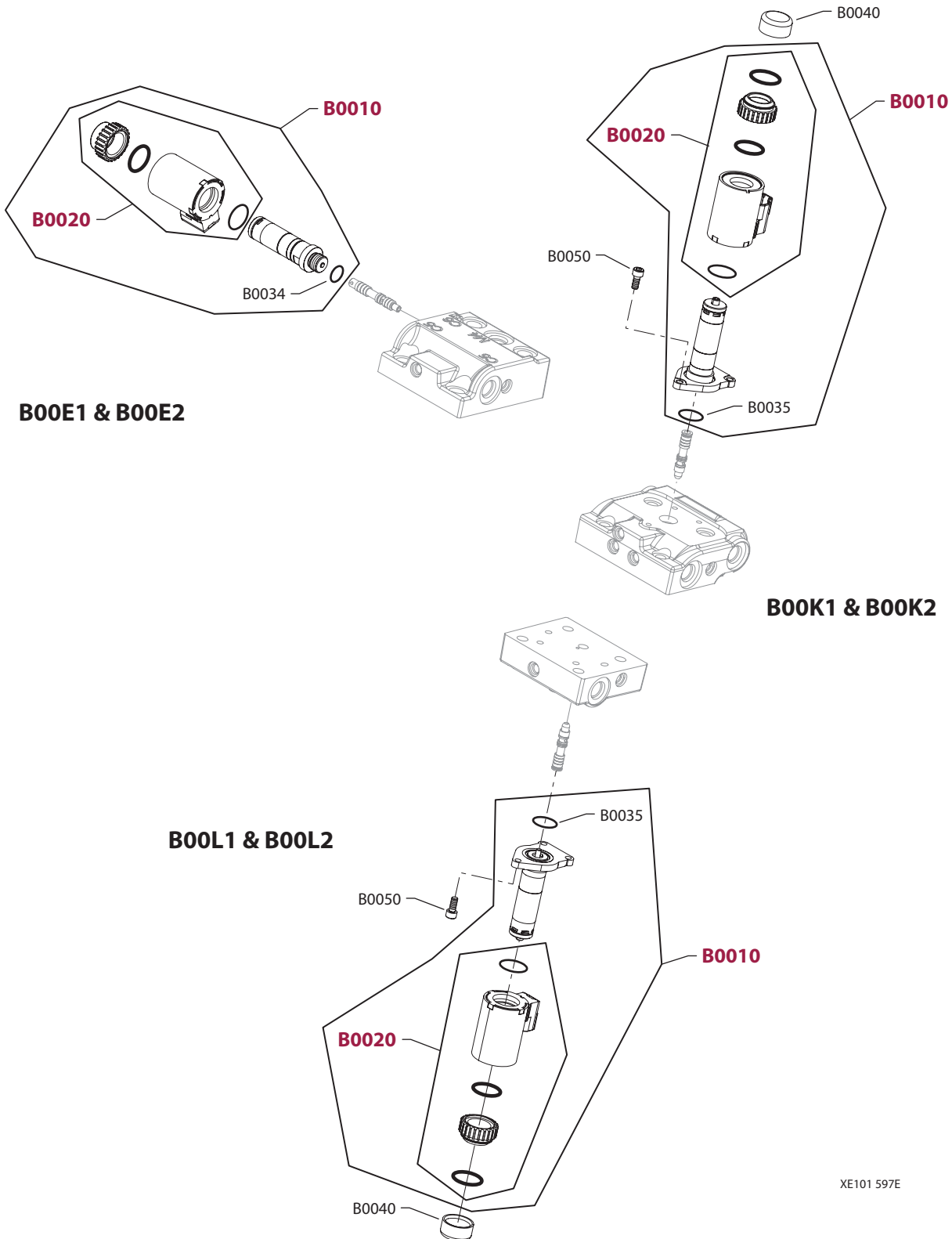
Order Code





Parts

Control - B00E1, B00E2, B00K1, B00K2, B00L1, B00L2



XE101 597E

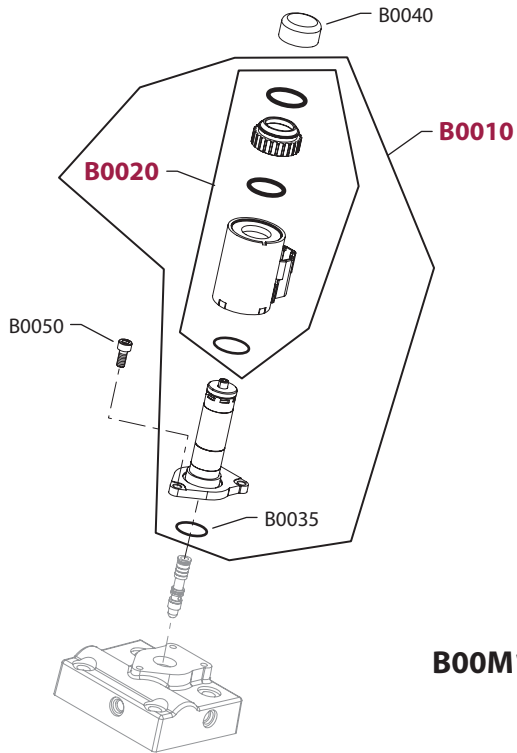

Control Parts
Control - B00E1, B00E2, B00K1, B00K2, B00L1, B00L2
CONTROL

Order Code	Item	Date Begin	Date End	Part Number	Part Name	Qty. per Model/Kit
E1	B00E1	09-31		11021165	Control ELHYD - 2 pos Assy	1
	B0010	09-31		11013615	Solenoid, on/off, 12 volt	1
	B0020	09-31		11031763	Coil kit, 12 volt	1
	B0034	09-31		085043 (9004201-3700)	O-ring	1
E2	B00E2	09-31		11021166	Control ELHYD - 2 pos Assy	1
	B0010	09-31		11013616	Solenoid, on/off, 24 volt	1
	B0020	09-31		11031764	Coil kit, 24 volt	1
	B0034	09-31		085043 (9004201-3700)	O-ring	1
K1	B00K1	09-31		11026983	Control ELHYD prop - PCOR	1
	B0010	09-31		149053	Solenoid proportional valve, 12 volt	1
	B0020	09-31		11031746	Coil kit, 12 volt	1
	B0035	09-31		11001952	O-ring	1
	B0040	09-31		11014185	Plastic cap	1
	B0050	09-31		716860	Screw	3
K2	B00K2	09-31		11026984	Control ELHYD prop - PCOR	1
	B0010	09-31		11002705	Solenoid proportional valve, 24 volt	1
	B0020	09-31		11031749	Coil kit, 24 volt	1
	B0035	09-31		11001952	O-ring	1
	B0040	09-31		11014185	Plastic cap	1
	B0050	09-31		716860	Screw	3
L1	B00L1	09-31		11001380	Control ELHYD proportional	1
	B0010	09-31		149053	Solenoid proportional valve, 12 volt	1
	B0020	09-31		11031746	Coil kit, 12 volt	1
	B0035	09-31		11001952	O-ring	1
	B0040	09-31		11014185	Plastic cap	1
	B0050	09-31		716860	Screw	3
L2	B00L2	09-31		11007965	Control ELHYD proportional	1
	B0010	09-31		11002705	Solenoid proportional valve, 24 volt	1
	B0020	09-31		11031749	Coil kit, 24 volt	1
	B0035	09-31		11001952	O-ring	1
	B0040	09-31		11014185	Plastic cap	1
	B0050	09-31		716860	Screw	3

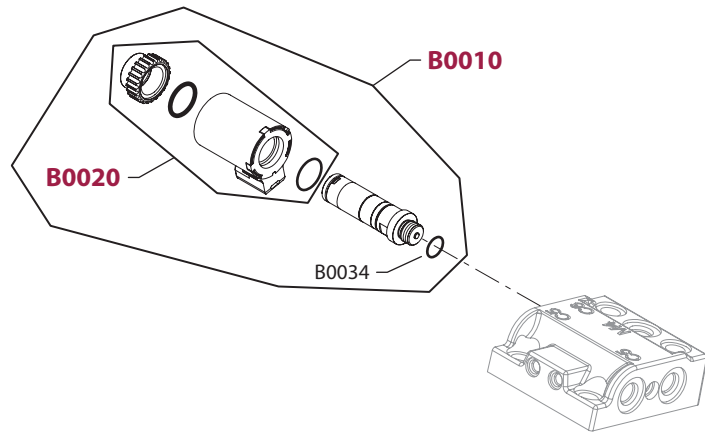


Parts

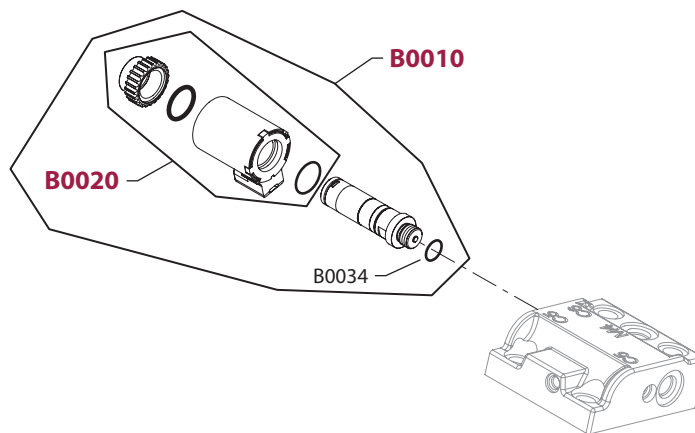
Control - B00M1, B00M2, B00P1, B00P2, B00T1, B00T2



B00M1 & B00M2



B00P1 & B00P2



B00T1 & B00T2

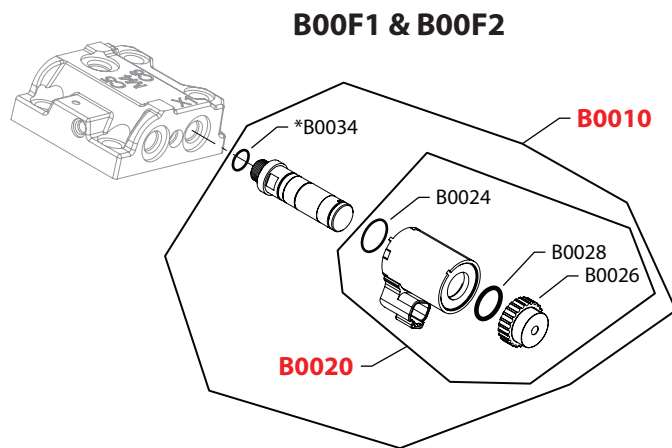
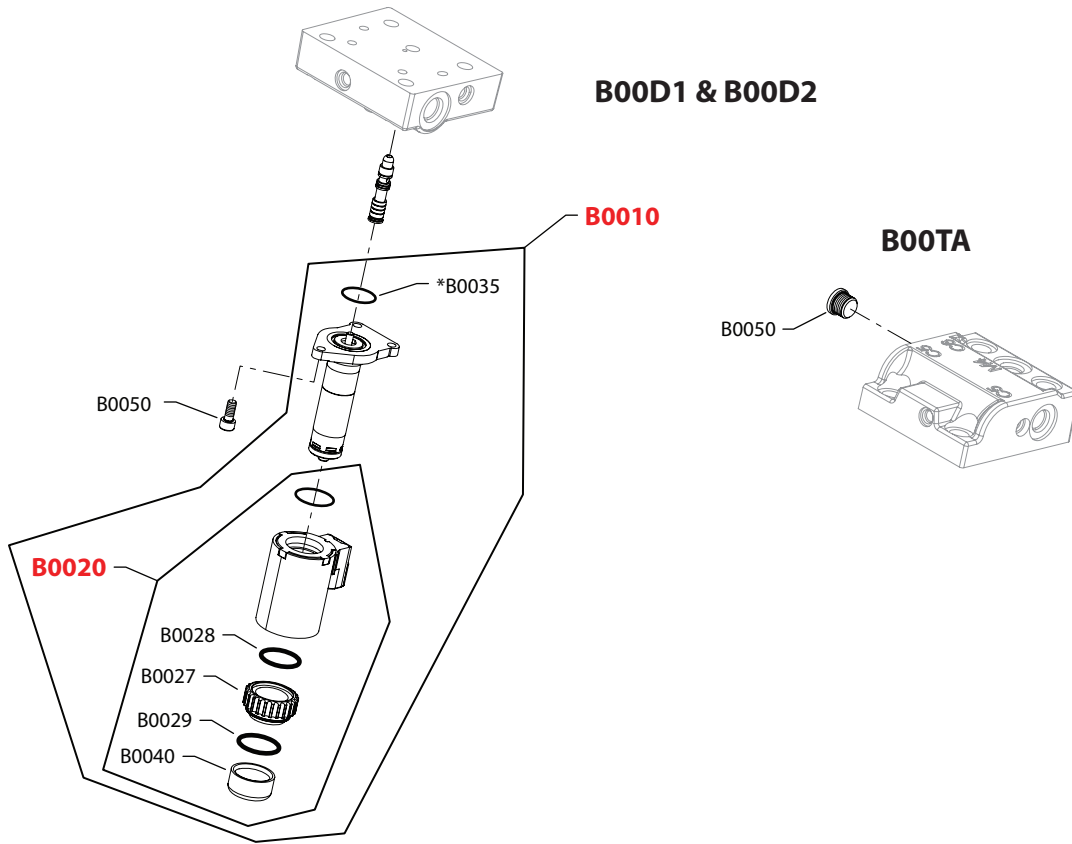
XE101 599E


Parts
Control - B00M1, B00M2, B00P1, B00P2, B00T1, B00T2
CONTROL

Order Code	Item	Date Begin	Date End	Part Number	Part Name	Qty. per Model/Kit
M1	B00M1	09-31		11026983	Control ELHYD - Prop - PCOR	1
	B0010	09-31		149053	Solenoid proportional valve, 12 volt	1
	B0020	09-31		11031746	Coil kit, 12 volt	1
	B0035	09-31		11001952	O-ring	1
	B0040	09-31		11014185	Plastic cap	1
	B0050	09-31		716860	Screw	3
M2	B00M2	09-31		11026984	Control ELHYD - Prop - PCOR	1
	B0010	09-31		11002705	Solenoid proportional valve, 24 volt	1
	B0020	09-31		11031749	Coil kit, 24 volt	1
	B0035	09-31		11001952	O-ring	1
	B0040	09-31		11014185	Plastic cap	1
	B0050	09-31		716860	Screw	3
P1	B00P1	09-31		11021170	Control Constant pressure	1
	B0010	09-31		11013613	Solenoid proportional valve, 12 volt	1
	B0020	09-31		11031751	Coil kit, 12 volt	1
	B0034	09-31		085043 (9004201-3700)	O-ring	1
P2	B00P2	09-31		11021171	Control Constant pressure	1
	B0010	09-31		11013614	Solenoid proportional valve, 24 volt	1
	B0020	09-31		11031762	Coil kit, 24 volt	1
	B0034	09-31		085043 (9004201-3700)	O-ring	1
T1	B00T2	09-31		11021167	Control Constant pressure	1
	B0010	09-31		11013615	Solenoid, on/off, 12 volt	1
	B0020	09-31		11031763	Coil kit, 12 volt	1
	B0034	09-31		085043 (9004201-3700)	O-ring	1
T2	B00T2	09-31		11021168	Control Constant pressure	1
	B0010	09-31		11013616	Solenoid, on/off, 24 volt	1
	B0020	09-31		11031764	Coil kit, 24 volt	1
	B0034	09-31		085043 (9004201-3700)	O-ring	1



Control - B00D1, B00D2, B00F1, B00F2, B00TA



* = included in overhaul seal kit Q210

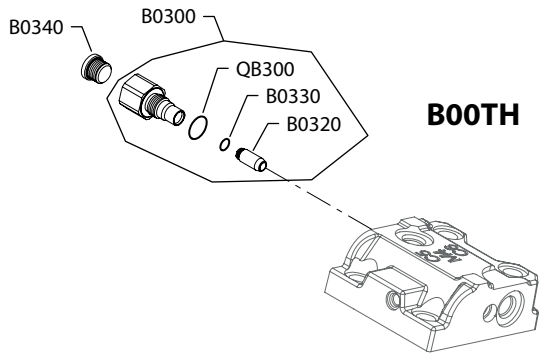
XE101 TAE


Parts
Control - B00D1, B00D2, B00F1, B00F2, B00H1, B00H2, B00TA, B00TH

Order Code	Item	Date Begin	Date End	Part Number	Part Name	Qty. per Model/Kit
D1	B00D1	13-23		11001380	Valve assembly	1
	B0010	13-23		149053	Solenoid proportional valve, 12 volt	1
	B0020	13-23		11031746	Coil kit, 12 volt	1
	B0027	13-23		11004749	Coil nut	1
	B0028	13-23		063172	O-ring	1
	B0029	13-23		11037174	O-ring	1
	B0035	13-23		11001952	O-ring	1
	B0040	13-23		11014185	Plastic cap	1
	B0050	13-23		716860	Screw	3
D2	B00D2	13-23		11007965	Valve assembly	1
	B0010	13-23		11002705	Solenoid proportional valve, 24 volt	1
	B0020	13-23		11031749	Coil kit, 24 volt	1
	B0027	13-23		11004749	Coil nut	1
	B0028	13-23		063172	O-ring	1
	B0029	13-23		11037174	O-ring	1
	B0035	13-23		11001952	O-ring	1
	B0040	13-23		11014185	Plastic cap	1
	B0050	13-23		716860	Screw	3
F1	B00F1	13-23		11099283	Valve assembly	1
	B0010	13-23		11013615	Solenoid, on/off, 12 volt	1
	B0020	13-23		11031763	Coil kit, 12 volt	1
	B0024	13-23		11031608	O-ring	1
	B0026	13-23		11027046	Coil nut	1
	B0028	13-23		063172	O-ring	1
	B0034	13-23		085043 (9004201-3700)	O-ring	1
F2	B00F2	13-23		11099284	Valve assembly	1
	B0010	13-23		11013616	Solenoid, on/off, 24 volt	1
	B0020	13-23		11031764	Coil kit, 24 volt	1
	B0024	13-23		11031608	O-ring	1
	B0026	13-23		11027046	Coil nut	1
	B0028	13-23		063172	O-ring	1
	B0034	13-23		085043 (9004201-3700)	O-ring	1
HE		13-23		None		
HF		13-23		None		
TA	B00TA	13-23		11021182	Valve assembly	1
	B0050	13-23		140644	Plug assembly	1



Control - B00TH



P108927



Control - B00TH

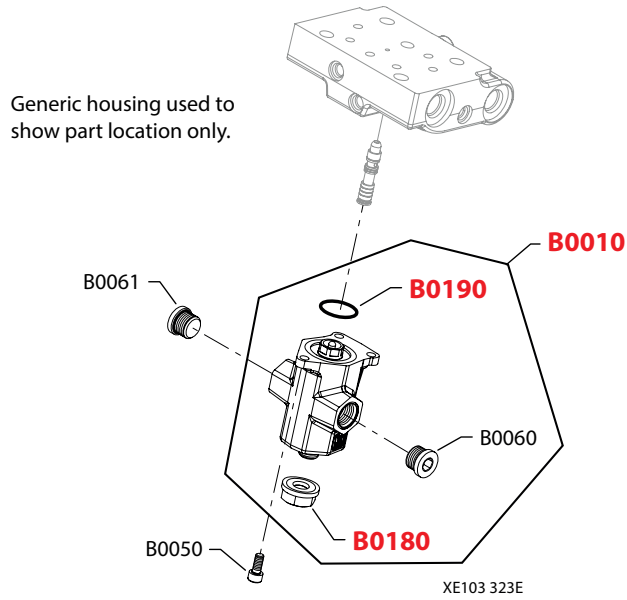
Order Code	Item	Date Begin	Date End	Part Number	Part Name	Qty. per Model/Kit
TH	B00TH	15-27		11164140	Valve assembly	1
	B0300	15-27		11157844	PCOR override adapter assembly	1
	B0320	15-27		11157843	Sensing spool	1
	B0330	15-27		11164139	O-ring	1
	B0340	15-27		140644	Plug assembly	1
	QB300	15-27		085043 (9004201-3700)	O-ring	1



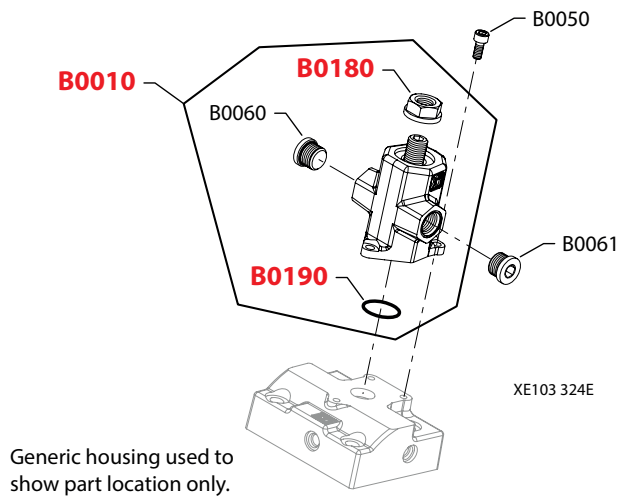
Parts

Control - B00DH, B00LH, B00MH

(DH & LH)



(MH)





Parts

Control - B00DH, B00LH, B00MH

HYDRAULIC PROPORTIONAL CONTROL

Order Code	Item	Date Begin	Date End	Part Number	Part Name	Qty. per Model/Kit
DH	B0010	14-37		11146306	Actuator assembly	1
	B0050	14-37		716860	Screw, M5 x 12	3
	B0060	14-37		140644	Plug assembly	1
	B0065	14-37		140644	Plug assembly	1
	B0190	14-37		012575 (9004105-1170)	O-ring	1
LH	B0010	14-37		11146306	Actuator assembly	1
	B0050	14-37		716860	Screw, M5 x 12	3
	B0060	14-37		140644	Plug assembly	1
	B0065	14-37		140644	Plug assembly	1
	B0190	14-37		012575 (9004105-1170)	O-ring	1
MH	B0010	14-37		11146306	Actuator assembly	1
	B0050	14-37		716860	Screw, M5 x 12	3
	B0060	14-37		140644	Plug assembly	1
	B0065	14-37		140644	Plug assembly	1
	B0190	14-37		012575 (9004105-1170)	O-ring	1
NA				no parts		

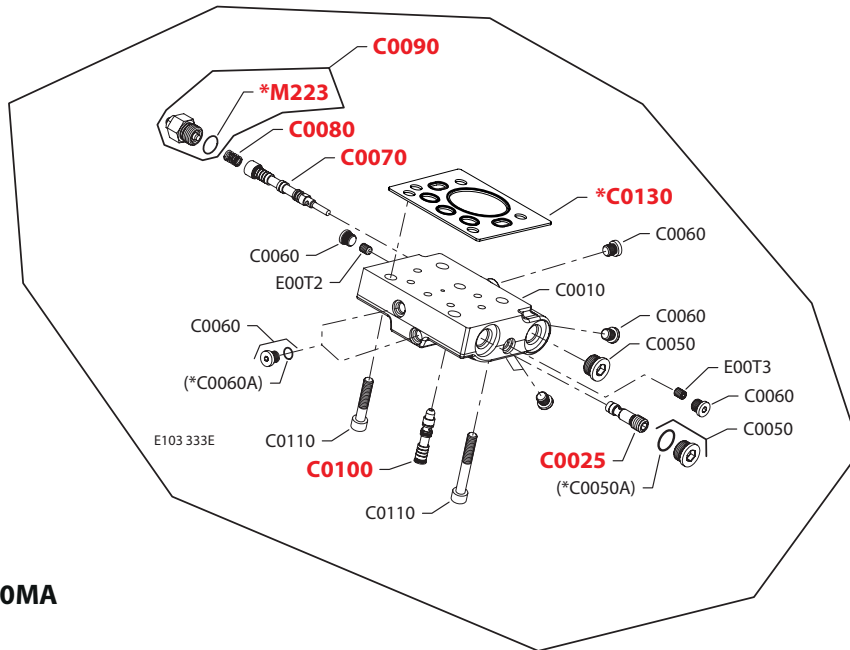
HYDRAULIC 2-POSITION

HE				no parts
HF				no parts
N1				no parts
NB				no parts

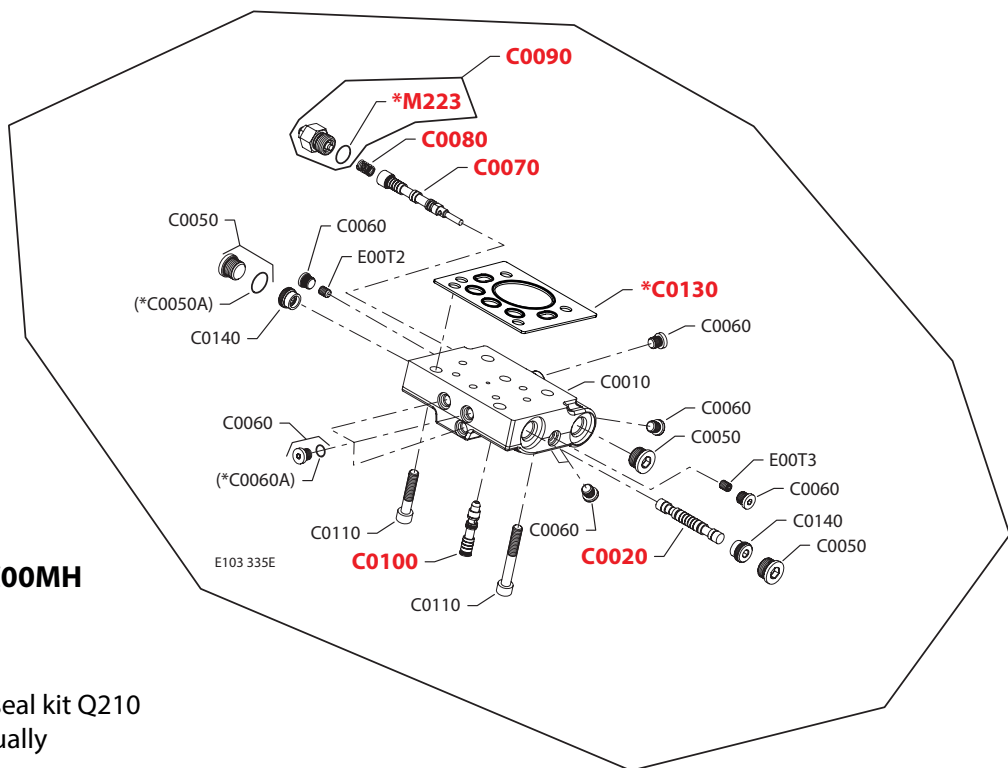


Parts

Servo Pressure Supply - C00MA, C00MH



C00MA



C00MH

* = included in overhaul seal kit Q210
 () = not available individually

X103 333E

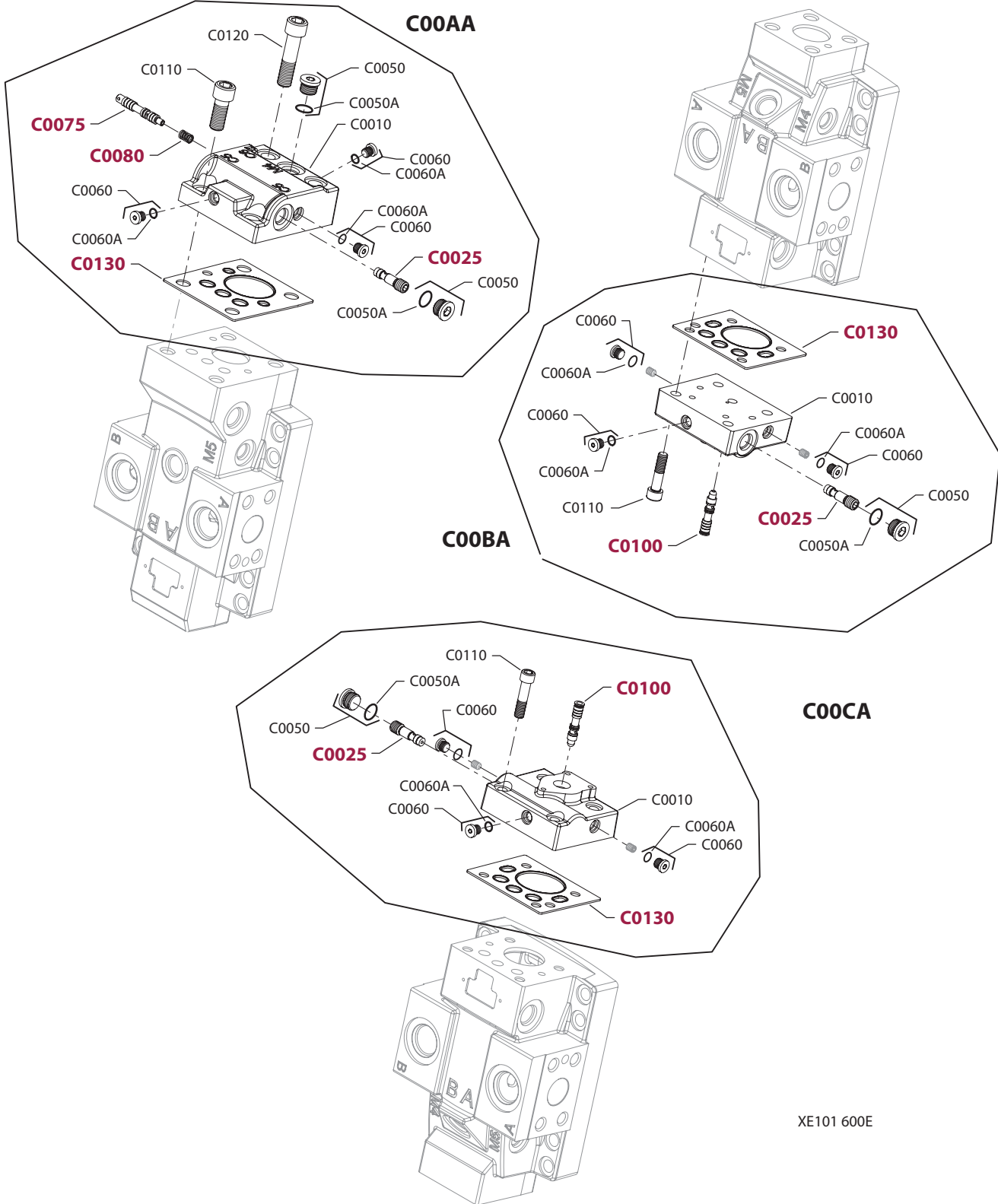

Parts
Servo Pressure Supply - C00MA, C00MH

Order Code	Item	Date Begin	Date End	Part Number	Part Name	Qty. per Model/Kit
MA	C00MA	13-23		11029750	Assembly	1
	C0010	13-23		11028959	Control housing, proportional, PCOR	1
	C0025	13-23		11000893	Shuttle valve assembly	1
	C0050	13-23		140644	Plug assembly	2
	C0060	13-23		11040532	Plug assembly	8
	C0070	13-23		11028957	Spool	1
	C0080	13-23		11067002	Spring	1
	C0090	13-23		509360	Adjuster	1
	C0100	13-23		149041	Spool	1
	C0110	13-23		710855	Screw	2
	C0120	13-23		746644 (9007314-0810)	Screw	2
	C0130	13-23		149040	Control seal	1
	M223	13-23		085043 (9004201-3700)	O-ring	1
MH	C00MH	14-37		11151815	Assembly	1
	C0010	14-37		11151816	Control housing, proportional, PCOR	1
	C0025	14-37		11151818	Shuttle valve assembly	1
	C0050	14-37		140644	Plug assembly	3
	C0060	14-37		11040532	Plug assembly	9
	C0070	14-37		11028957	Spool	1
	C0080	14-37		11067002	Spring	1
	C0090	14-37		509360	Adjuster	1
	C0100	14-37		149041	Spool	1
	C0110	14-37		710855	Screw, M8 x 35	2
	C0120	14-37		746644 (9007314-0810)	Screw, M8 x 35	2
	C0130	14-37		149040	Control seal	1
	C0130	14-37		11151817	Limiter plug	2
	M223	14-37		085043 (9004201-3700)	O-ring	1



Parts

Servo Pressure Supply - C00AA, C00BA, C00CA



XE101 600E

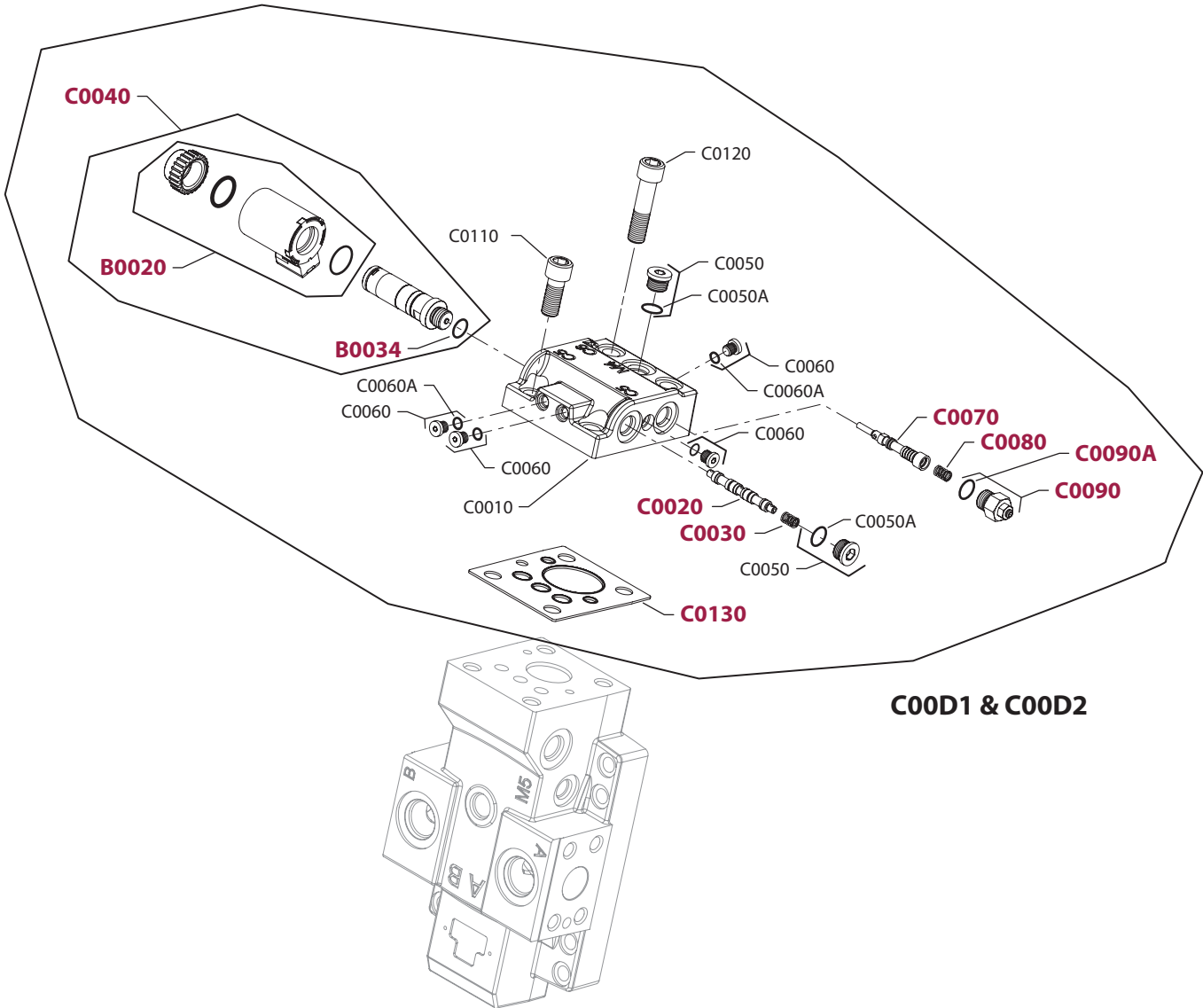

Parts
Servo Pressure Supply - C00AA, C00BA, C00CA
SERVO PRESSURE SUPPLY

Order Code	Item	Date Begin	Date End	Part Number	Part Name	Qty. per Model/Kit	
AA	C00AA	09-31		11021183	Servo Supply Assembly	1	
	C0010	09-31		11016162	Control housing, 2-position	1	
	C0025	09-31		11000893	Shuttle valve assembly	1	
	C0050	09-31		140644	Plug assembly	2	
	C0050A	09-31		085043 (9004201-3700)	O-ring	2	
	C0060	09-31		504519	Plug assembly	3	
	C0060A	09-31		039297 (9004201-1200)	O-ring	3	
	C0075	09-31		11016166	Spool	1	
	C0080	09-31		11016167	Spring	1	
	C0110	09-31		737866 (9007314-1207)	Screw	2	
	C0120	09-31		283325 (9007314-1211)	Screw	2	
	C0130	09-31		11016168	Control seal	1	
	BA	C00BA	09-31		11021483	Servo Supply Assembly	1
C0010		09-31		149057	Control housing, proportional	1	
C0025		09-31		11000893	Shuttle valve assembly	1	
C0050		09-31		140644	Plug assembly	1	
C0050A		09-31		085043 (9004201-3700)	O-ring	1	
C0060		09-31		504519	Plug assembly	3	
C0060A		09-31		039297 (9004201-1200)	O-ring	3	
C0100		09-31		149041	Spool	1	
C0110		09-31		710855	Screw	4	
C0130		09-31		149040	Control seal	1	
CA		C00CA	09-31		11040373	Servo Supply Assembly	1
		C0010	09-31		149057	Control housing, proportional	1
		C0025	09-31		11000893	Shuttle valve assembly	1
	C0050	09-31		140644	Plug assembly	1	
	C0050A	09-31		085043 (9004201-3700)	O-ring	1	
	C0060	09-31		504519	Plug assembly	3	
	C0060A	09-31		039297 (9004201-1200)	O-ring	3	
	C0100	09-31		149041	Spool	1	
	C0110	09-31		710855	Screw	4	
	C0130	09-31		149040	Control seal	1	



Parts

Servo Pressure Supply - C00D1, C00D2



C00D1 & C00D2

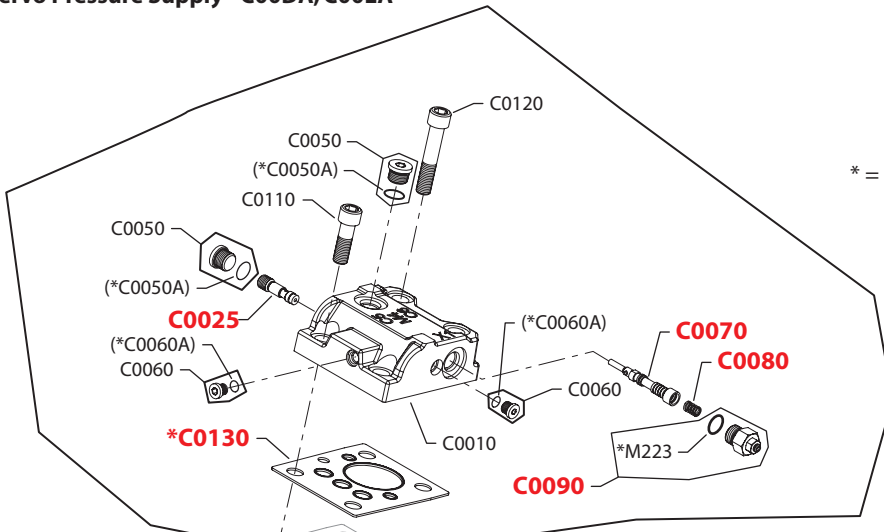

Parts
Servo Pressure Supply - C00D1, C00D2
SERVO PRESSURE SUPPLY

Order Code	Item	Date Begin	Date End	Part Number	Part Name	Qty. per Model/Kit
D1	C00D1	09-31		11021184	Servo Supply Assembly	1
	B0020	09-31		11031763	Coil kit, 12 volt	1
	B0034	09-31		085043 (9004201-3700)	O-ring	1
	C0010	09-31		11016163	Control housing, PCOR	1
	C0020	09-31		11016229	Spool	1
	C0030	09-31		11016167	Spring	1
	C0040	09-31		11013615	Solenoid, on/off, 12 volt	1
	C0050	09-31		140644	Plug assembly	2
	C0050A	09-31		085043 (9004201-3700)	O-ring	2
	C0060	09-31		504519	Plug assembly	4
	C0060A	09-31		039297 (9004201-1200)	O-ring	4
	C0070	09-31		11016228	Spool	1
	C0080	09-31		11016167	Spring	1
	C0090	09-31		509360	Adjuster	1
	C0090A	09-31		085043 (9004201-3700)	O-ring	1
	C0110	09-31		737866 (9007314-1207)	Screw	2
	C0120	09-31		283325 (9007314-1211)	Screw	2
	C0130	09-31		11016168	Control seal	1
D2	C00D2	09-31		11021185	Servo Supply Assembly	1
	B0020	09-31		11031764	Coil kit, 24 volt	1
	B0034	09-31		085043 (9004201-3700)	O-ring	1
	C0010	09-31		11016163	Control housing, PCOR	1
	C0020	09-31		11016229	Spool	1
	C0030	09-31		11016167	Spring	1
	C0040	09-31		11013616	Solenoid, on/off, 24 volt	1
	C0050	09-31		140644	Plug assembly	2
	C0050A	09-31		085043 (9004201-3700)	O-ring	2
	C0060	09-31		504519	Plug assembly	4
	C0060A	09-31		039297 (9004201-1200)	O-ring	4
	C0070	09-31		11016228	Spool	1
	C0080	09-31		11016167	Spring	1
	C0090	09-31		509360	Adjuster	1
	C0090A	09-31		085043 (9004201-3700)	O-ring	1
	C0110	09-31		737866 (9007314-1207)	Screw	2
	C0120	09-31		283325 (9007314-1211)	Screw	2
	C0130	09-31		11016168	Control seal	1



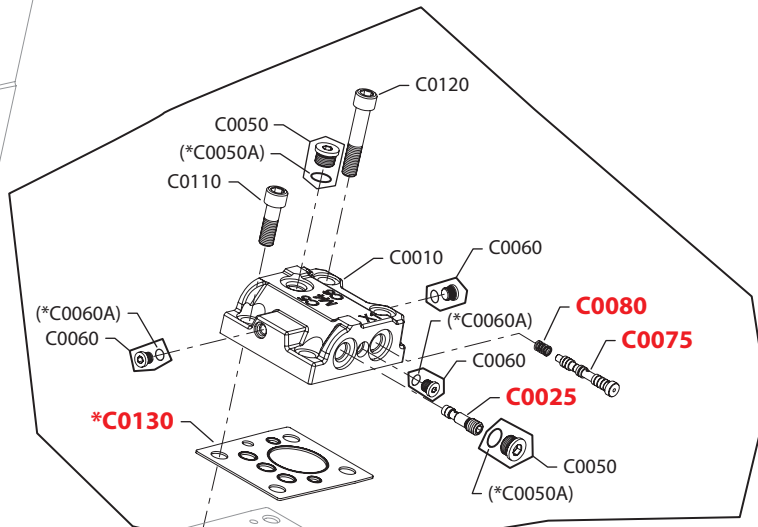
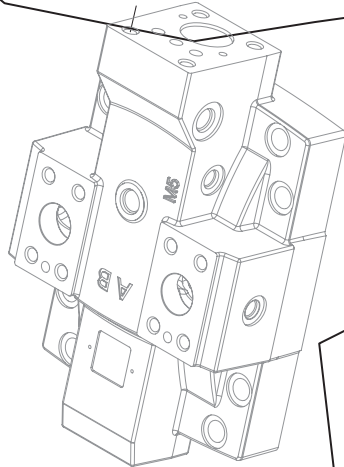
Parts

Servo Pressure Supply - C00DA, C00EA



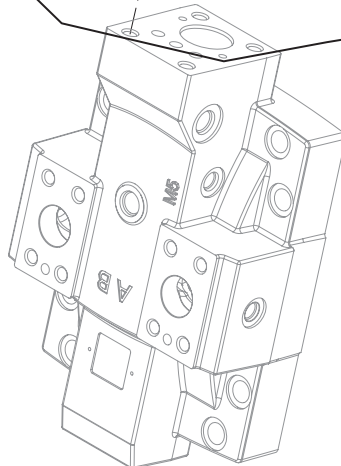
* = included in overhaul seal kit Q210

C00DA



generic end caps shown

C00EA



XE101 602E



Parts

Servo Pressure Supply - C00DA, C00EA

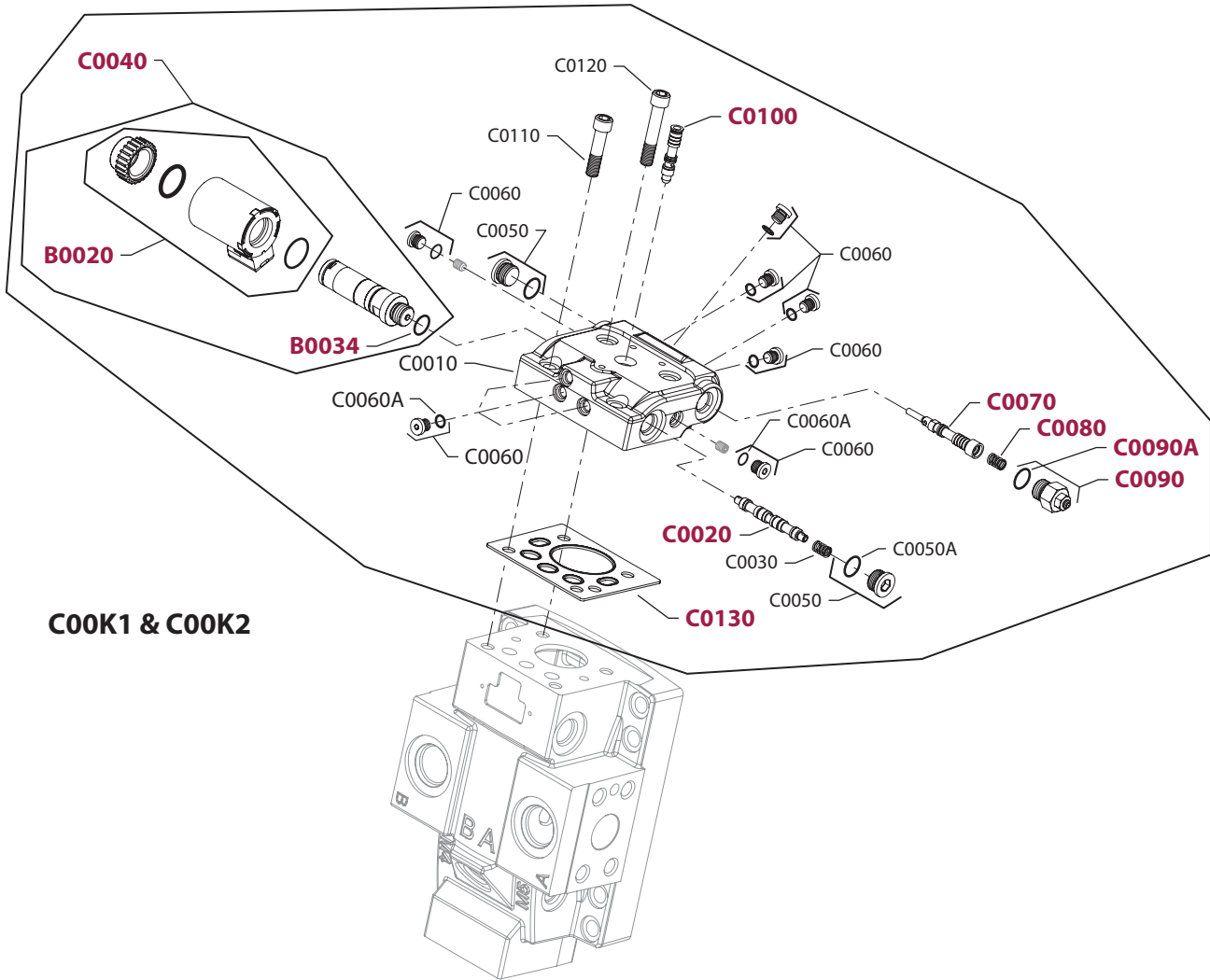
SERVO PRESSURE SUPPLY

Order Code	Item	Date Begin	Date End	Part Number	Part Name	Qty. per Model/Kit
DA	C00DA	13-23		11021186	Assembly	1
	C0010	13-23		11086115	Control housing, 2-position	1
	C0025	13-23		11000893	Shuttle valve assembly	1
	C0050	13-23		140644	Plug assembly	2
	C0060	13-23		11040532	Plug assembly	2
	C0070	13-23		11016228	Spool	1
	C0080	13-23		11067002	Spring	1
	C0090	13-23		509360	Adjuster	1
	C0110	13-23		737866 (9007314-1207)	Screw	2
	C0120	13-23		283325 (9007314-1211)	Screw	2
	C0130	13-23		11016168	Control seal	1
	M223	13-23		085043 (9004201-3700)	O-ring	1
EA	C00EA	13-23		11099282	Assembly	1
	C0010	13-23		11099281	Control housing, 2-position	1
	C0025	13-23		11000893	Shuttle valve assembly	1
	C0050	13-23		140644	Plug assembly	2
	C0060	13-23		11040532	Plug assembly	3
	C0075	13-23		11122114	Spool	1
	C0080	13-23		11067002	Spring	1
	C0110	13-23		737866 (9007314-1207)	Screw	2
	C0120	13-23		283325 (9007314-1211)	Screw	2
	C0130	13-23		11016168	Control seal	1



Parts

Servo Pressure Supply - C00K1, C00K2



XE101 603E

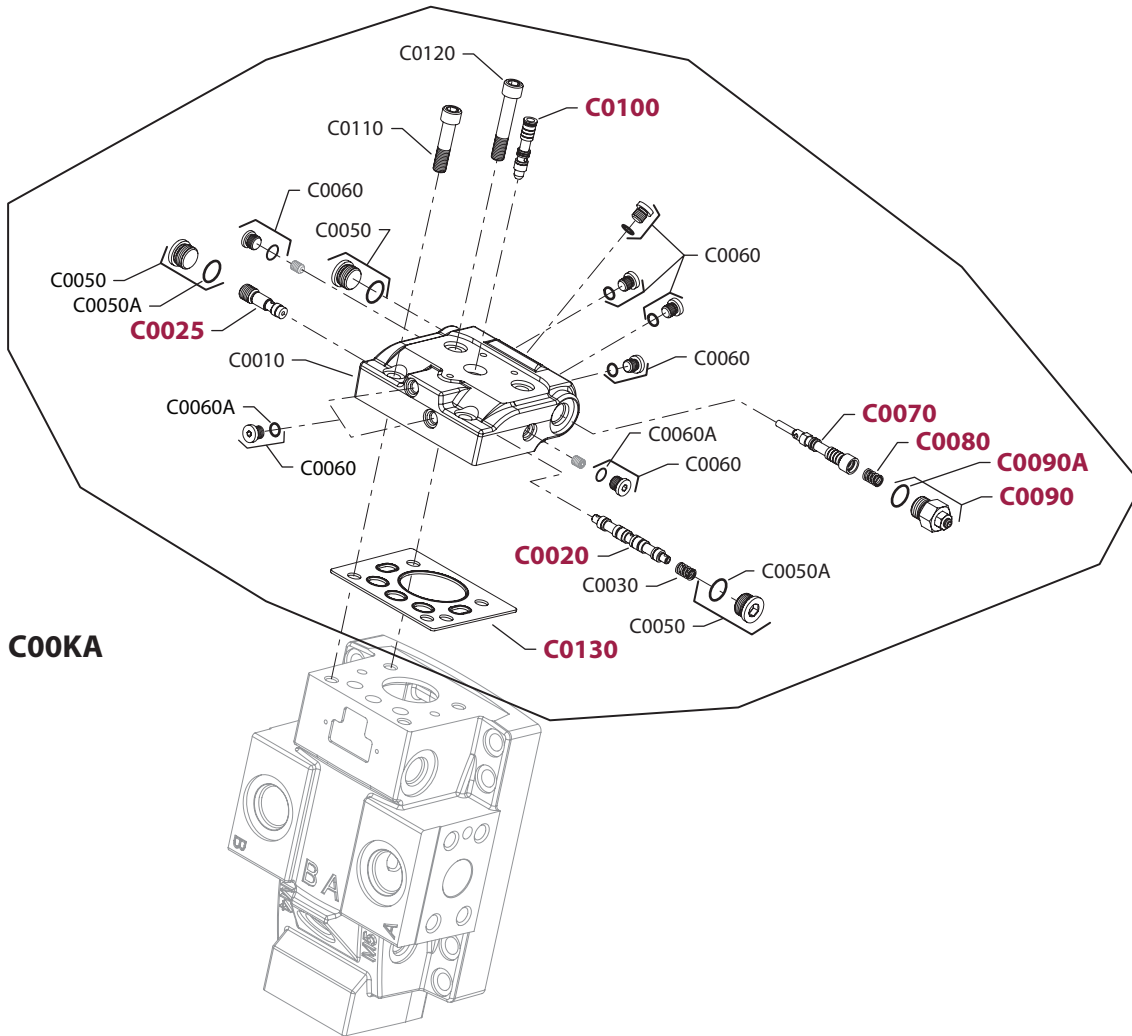

Parts
Servo Pressure Supply - C00K1, C00K2
SERVO PRESSURE SUPPLY

Order Code	Item	Date Begin	Date End	Part Number	Part Name	Qty. per Model/Kit
K1	C00K1	09-31		11026985	Servo Supply Kit	1
	B0020	09-31		11031763	Coil kit, 12 volt	1
	B0034	09-31		085043 (9004201-3700)	O-ring	1
	C0010	09-31		11026748	Control housing, proportional, PCOR	1
	C0020	09-31		11026792	Spool	1
	C0030	09-31		11016167	Spring	1
	C0040	09-31		11013615	Solenoid, on/off, 12 volt	1
	C0050	09-31		140644	Plug assembly	2
	C0050A	09-31		085043 (9004201-3700)	O-ring	2
	C0060	09-31		504519	Plug assembly	9
	C0060A	09-31		039297 (9004201-1200)	O-ring	9
	C0070	09-31		11016751	Spool	1
	C0080	09-31		11016167	Spring	1
	C0090	09-31		509360	Adjuster	1
	C0090A	09-31		085043 (9004201-3700)	O-ring	1
	C0100	09-31		149041	Spool	1
	C0110	09-31		710855	Screw	2
	C0120	09-31		746644 (9007314-0810)	Screw	2
	C0130	09-31		149040	Control seal	1
K2	C00K2	09-31		11026986	Servo Supply Kit	1
	B0020	09-31		11031764	Coil kit, 24 volt	1
	B0034	09-31		085043 (9004201-3700)	O-ring	1
	C0010	09-31		11026748	Control housing, proportional, PCOR	1
	C0020	09-31		11026792	Spool	1
	C0030	09-31		11016167	Spring	1
	C0040	09-31		11013616	Solenoid, on/off, 24 volt	1
	C0050	09-31		140644	Plug assembly	2
	C0050A	09-31		085043 (9004201-3700)	O-ring	2
	C0060	09-31		504519	Plug assembly	9
	C0060A	09-31		039297 (9004201-1200)	O-ring	9
	C0070	09-31		11016751	Spool	1
	C0080	09-31		11016167	Spring	1
	C0090	09-31		509360	Adjuster	1
	C0090A	09-31		085043 (9004201-3700)	O-ring	1
	C0100	09-31		149041	Spool	1
	C0110	09-31		710855	Screw	2
	C0120	09-31		746644 (9007314-0810)	Screw	2
	C0130	09-31		149040	Control seal	1



Parts

Servo Pressure Supply - C00KA





Parts

Servo Pressure Supply - C00KA

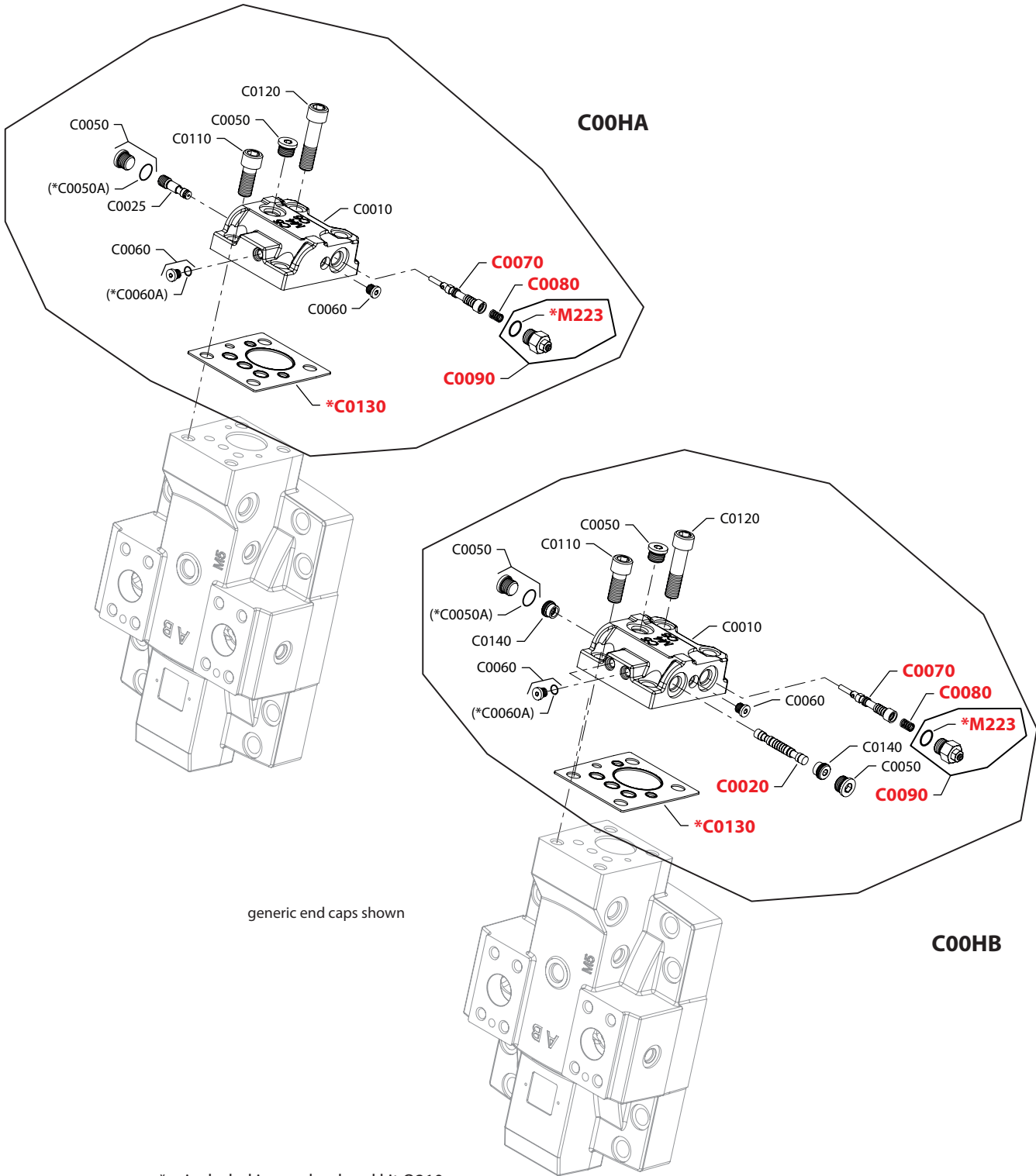
SERVO PRESSURE SUPPLY

Order Code	Item	Date Begin	Date End	Part Number	Part Name	Qty. per Model/Kit
KA	C00KA	09-31		11026987	Servo Supply Assembly	1
	C0010	09-31		11026749	Control housing, proportional, PCOR	1
	C0020	09-31		11016229	spool	1
	C0025	09-31		11000893	Shuttle valve assembly	1
	C0050	09-31		140644	Plug assembly	2
	C0050A	09-31		085043 (9004201-3700)	O-ring	2
	C0060	09-31		504519	Plug assembly	8
	C0060A	09-31		039297 (9004201-1200)	O-ring	8
	C0070	09-31		11026751	Spool	1
	C0080	09-31		11016167	Spring	1
	C0090	09-31		509360	Adjuster	1
	C0090A	09-31		085043 (9004201-3700)	O-ring	1
	C100	09-31		149041	Spool	1
	C0110	09-31		710855	Screw	2
	C0120	09-31		746644 (9007314-0810)	Screw	2
	C0130	09-31		149040	Control seal	1



Parts

Servo Pressure Supply - C00HA, C00HB



P108922

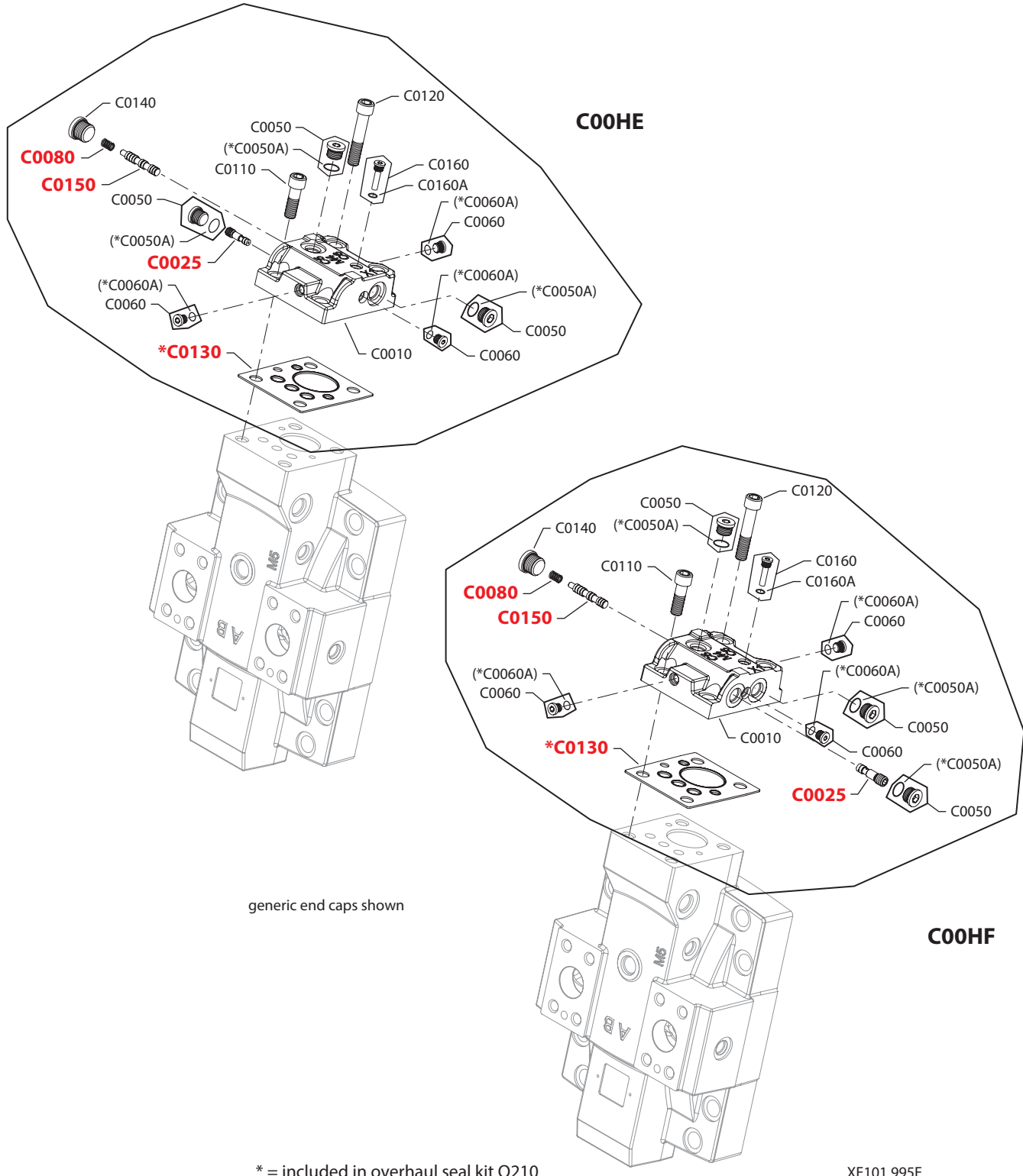

Parts
Servo Pressure Supply - C00HA, C00HB
SERVO PRESSURE SUPPLY

Order Code	Item	Date Begin	Date End	Part Number	Part Name	Qty. per Model/Kit	
HA	C00HA	13-23		11162113	Control assembly	1	
	C0010	13-23		11162117	Control housing, Hydraulic 2-position max.	1	
	C0025	13-23		11000893	Shuttle valve assembly	1	
	C0050	13-23		140644	Plug assembly	2	
	C0060	13-23		11040532	Plug assembly	2	
	C0070	13-23		11016228	Spool	1	
	C0080	13-23		11067002	Spring	1	
	C0090	13-23		509360	Adjuster	1	
	C0110	13-23		737866 (9007314-1207)	Screw	2	
	C0120	13-23		283325 (9007314-1211)	Screw	2	
	C0130	13-23		11016168	Control seal	1	
	HB	C00HB	13-23		11162114	Control assembly	1
		C0010	13-23		11162118	Control housing, Hydraulic 2-position max.	1
C0020		13-23		11162120	Spool BPD	1	
C0050		13-23		140644	Plug assembly	3	
C0060		13-23		11040532	Plug assembly	3	
C0070		13-23		11016228	Spool	1	
C0080		13-23		11067002	Spring	1	
C0090		13-23		509360	Adjuster	1	
C0110		13-23		737866 (9007314-1207)	Screw	2	
C0120		13-23		283325 (9007314-1211)	Screw	2	
C0130		13-23		11016168	Control seal	1	
C0140		13-23		11151817	Plug BPD	2	



Parts

Servo Pressure Supply - C00HE C00HF



XE101 995E



Parts

Servo Pressure Supply - C00HE, C00HF

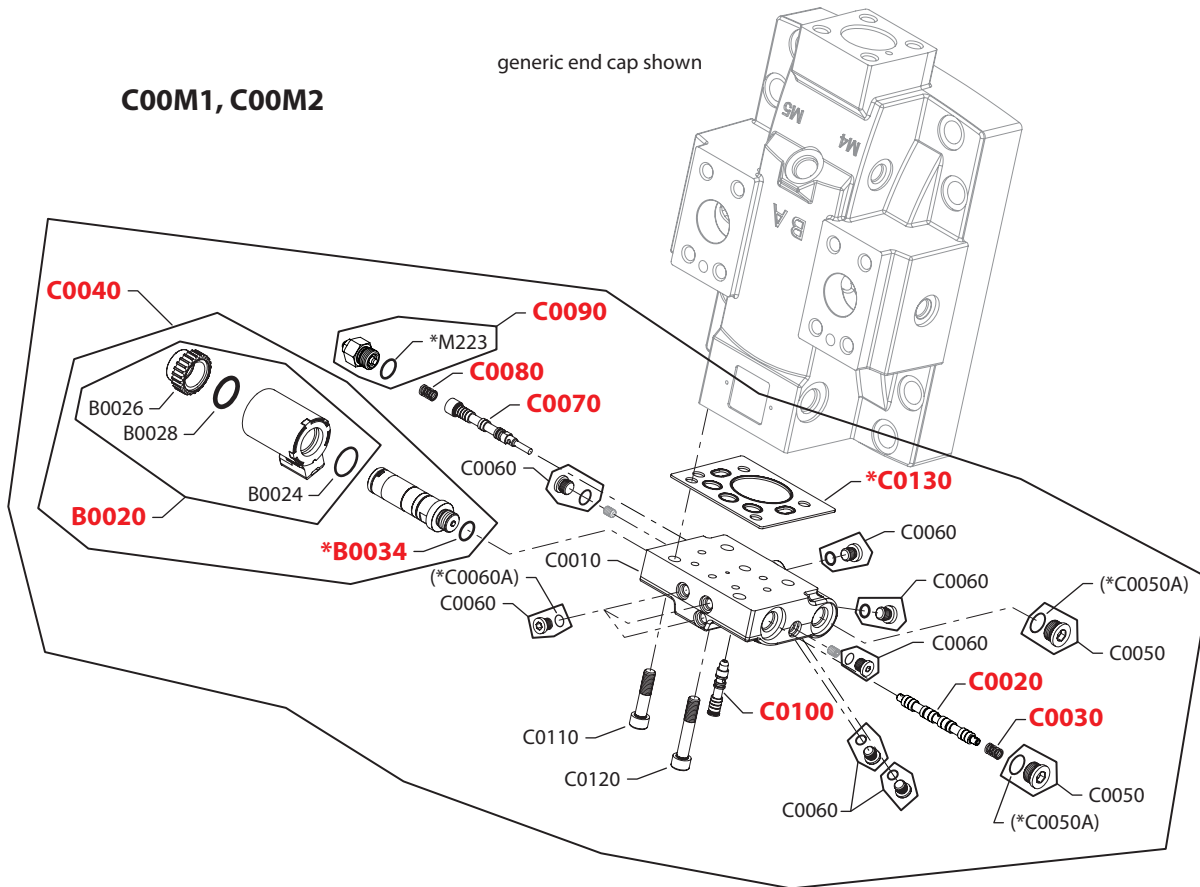
SERVO PRESSURE SUPPLY

Order Code	Item	Date Begin	Date End	Part Number	Part Name	Qty. per Model/Kit	
HE	C00HE	13-23		11069602	Control assembly	1	
	C0010	13-23		11086117	Control housing, Hydraulic 2-position max.	1	
	C0025	13-23		11000893	Shuttle valve assembly	1	
	C0050	13-23		140644	Plug assembly	3	
	C0060	13-23		11040532	Plug assembly	3	
	C0080	13-23		11067002	Spring	1	
	C0110	13-23		737866 (9007314-1207)	Screw	2	
	C0120	13-23		283325 (9007314-1211)	Screw	2	
	C0130	13-23		11016168	Control seal	1	
	C0140	13-23		315325 (9005110-8700)	Plug assembly	1	
	C0150	13-23		11068172	Spool	1	
	C0160	13-23		511244	Spool locator plug assembly	1	
	C0160A	13-23		039297 (9004201-1200)	O-ring	1	
	HF	C00HF	13-23		11069561	Control assembly	1
		C0010	13-23		11086118	Control housing, Hydraulic 2-position max.	1
C0025		13-23		11000893	Shuttle valve assembly	1	
C0050		13-23		140644	Plug assembly	3	
C0060		13-23		11040532	Plug assembly	3	
C0080		13-23		11067002	Spring	1	
C0110		13-23		737866 (9007314-1207)	Screw	2	
C0120		13-23		283325 (9007314-1211)	Screw	2	
C0130		13-23		11016168	Control seal	1	
C0140		13-23		315325 (9005110-8700)	Plug assembly	1	
C0150		13-23		11068172	Spool	1	
C0160		13-23		511244	Spool locator plug assembly	1	
C0160A		13-23		039297 (9004201-1200)	O-ring	1	



Parts

Servo Pressure Supply - C00M1, C00M2



* = included in overhaul seal kit Q210

XE101 998E


Parts
Servo Pressure Supply - C00M1, C00M2
SERVO PRESSURE SUPPLY

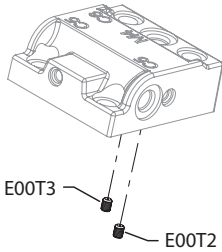
Order Code	Item	Date Begin	Date End	Part Number	Part Name	Qty. per Model/Kit
M1	B00M1	13-23		11029745	Valve assembly	1
	B0020	13-23		11031763	Coil kit, 12 volt	1
	B0024	13-23		11031608	O-ring	1
	B0026	13-23		11027046	Coil nut	1
	B0028	13-23		063172	O-ring	1
	B0034	13-23		085043 (9004201-3700)	O-ring	1
	C00M1	13-23		11029745	Control assembly	1
	C0010	13-23		11028958	Control housing, proportional, PCOR	1
	C0020	13-23		11026792	Spool	1
	C0030	13-23		11067002	Spring	1
	C0040	13-23		11013615	Solenoid, on/off, 12 volt	1
	C0050	13-23		140644	Plug assembly	2
	C0060	13-23		11040532	Plug assembly	9
	C0070	13-23		11028957	Spool	1
	C0080	13-23		11067002	Spring	1
	C0090	13-23		509360	Adjuster	1
	C0100	13-23		149041	Spool	1
	C0110	13-23		710855	Screw	2
	C0120	13-23		746644 (9007314-0810)	Screw	2
	C0130	13-23		149040	Control seal	1
M223	13-23		085043 (9004201-3700)	O-ring	1	
M2	B00M2	13-23		11030094	Valve assembly	1
	B0020	13-23		11031764	Coil kit, 24 volt	1
	B0024	13-23		11031608	O-ring	1
	B0026	13-23		11027046	Coil nut	1
	B0028	13-23		063172	O-ring	1
	B0034	13-23		085043 (9004201-3700)	O-ring	1
	C00M2	13-23		11030094	Control assembly	1
	C0010	13-23		11028958	Control housing, proportional, PCOR	1
	C0020	13-23		11026792	Spool	1
	C0030	13-23		11067002	Spring	1
	C0040	13-23		11013616	Solenoid, on/off, 24 volt	1
	C0050	13-23		140644	Plug assembly	2
	C0060	13-23		11040532	Plug assembly	9
	C0070	13-23		11028957	Spool	1
	C0080	13-23		11067002	Spring	1
	C0090	13-23		509360	Adjuster	1
	C0100	13-23		149041	Spool	1
	C0110	13-23		710855	Screw	2
	C0120	13-23		746644 (9007314-0810)	Screw	2
	C0130	13-23		149040	Control seal	1
M223	13-23		085043 (9004201-3700)	O-ring	1	



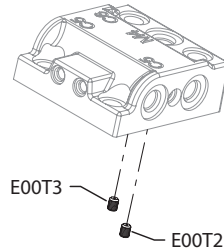
Parts

Orifice plug

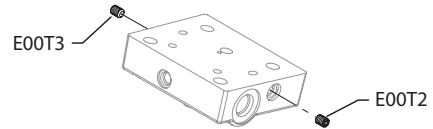
(AA servo supply)



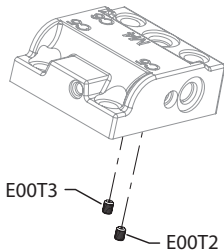
(D1, D2 & EA servo supply)



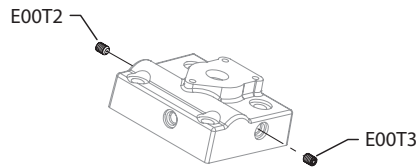
(BA & BB servo supply)



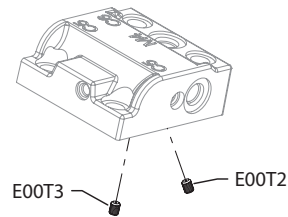
(DA servo supply)



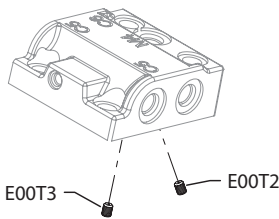
(CA servo supply)



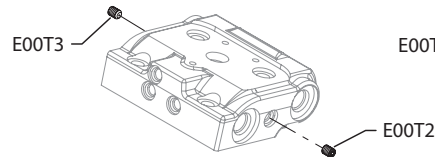
(HE servo supply)



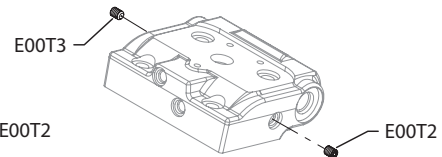
(HF servo supply)



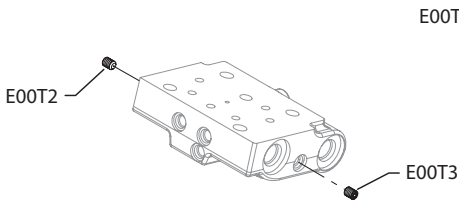
(K1 & K2 servo supply)



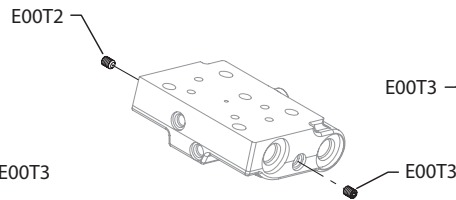
(KA servo supply)



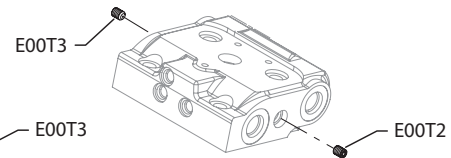
(M1 & M2 servo supply)



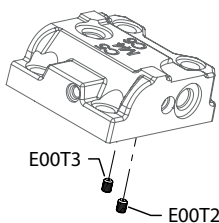
(MA servo supply)



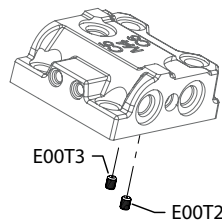
(MH servo supply)



(HA servo supply)



(HB servo supply)





Parts

Orifice plug

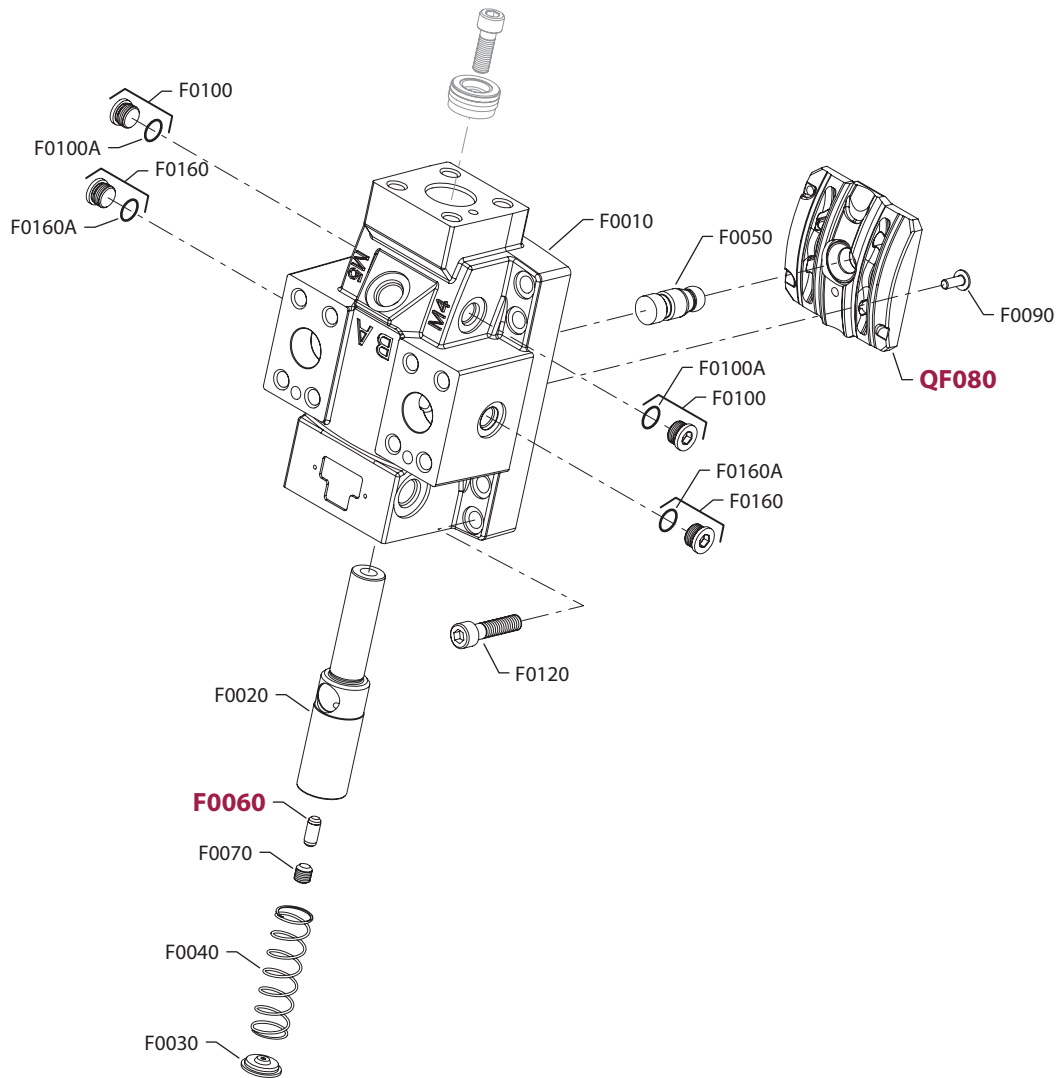
ORIFICE

Order Code	Item	Date Begin	Date End	Part Number	Part Name	Qty. per Model/Kit
A	E00T2	09-31		516598	Orifice plug, 1.2 mm	1
	E00T3	09-31		516598	Orifice plug, 1.2 mm	1
B	E00T2	09-31		578542	Orifice plug, 0.8 mm	1
	E00T3	09-31		578542	Orifice plug, 0.8 mm	1
C	E00T2	09-31		511825	Orifice plug, 0.6 mm	1
	E00T3	09-31		511825	Orifice plug, 0.6 mm	1
N				None		



Parts

Endcap - PA



XE101 608E



Parts

Endcap - PA

END CAP - 60CC

Order Code	Item	Date Begin	Date End	Part Number	Part Name	Qty. per Model/Kit
PA	F0010	09-31		11007456	End cap	1
	F0020	09-31		11007450	Servo piston	1
	F0030	09-31		11007448	Spring guide	1
	F0040	09-31		11004795	Spring	1
	F0050	09-31		11007449	Setting lug	1
	F0060	09-31		11008915	Setting lug pin	1
	F0070	09-31		042465	Set screw	1
	F0090	09-31		11014186	Button head screw	1
	F0100	09-31		140644	Plug assembly	2
	F0100A	09-31		085043 (9004201-3700)	O-ring	2
	F0120	09-31		672295 (9007314-1010)	Screw	8
	F0160	09-31		140644	Plug assembly	2
	F0160A	09-31		085043 (9004201-3700)	O-ring	2
	QF080	09-31		11051880	Valve segment assembly	1

END CAP - 80CC

Order Code	Item	Date Begin	Date End	Part Number	Part Name	Qty. per Model/Kit
PA	F0010	08-14		11004637	End cap	1
	F0020	08-14		11004621	Servo piston	1
	F0030	08-14		11004794	Spring guide	1
	F0040	08-14		11004885	Spring	1
	F0050	08-14		11004619	Setting lug	1
	F0060	08-14		11008915	Setting lug pin	1
	F0070	08-14		042465	Set screw	1
	F0090	08-14		11014186	Button head screw	1
	F0100	08-14		140644	Plug assembly	2
	F0100A	08-14		085043 (9004201-3700)	O-ring	2
	F0120	08-14		672295 (9007314-1010)	Screw	8
	F0160	08-14		140644	Plug assembly	2
	F0160A	08-14		085043 (9004201-3700)	O-ring	2
	QF080	08-14		11051882	Valve segment assembly	1


Parts
Endcap - PA
END CAP - 110CC

Order Code	Item	Date Begin	Date End	Part Number	Part Name	Qty. per Model/Kit
PA	F0010	08-14		149032	End cap	1
	F0020	08-14		11008794	Servo piston	1
	F0030	08-14		11008797	Spring guide	1
	F0040	08-14		11008705	Spring	1
	F0050	08-14		11008796	Setting lug	1
	F0060	08-14		11008915	Setting lug pin	1
	F0070	08-14		042465	Set screw	1
	F0090	08-14		11014186	Button head screw	1
	F0100	08-14		140644	Plug assembly	2
	F0100A	08-14		085043 (9004201-3700)	O-ring	2
	F0120	08-14		283325 (9007314-1211)	Screw	8
	F0160	08-14		140644	Plug assembly	2
	F0160A	08-14		085043 (9004201-3700)	O-ring	2
	QF080	08-14		11051884	Valve segment assembly	1

END CAP - 160CC

Order Code	Item	Date Begin	Date End	Part Number	Part Name	Qty. per Model/Kit
PA	F0010	11-18		11063308	End cap	1
	F0020	11-18		11062356	Servo piston	1
	F0030	11-18		11062103	Spring guide	1
	F0040	11-18		11007971	Spring	1
	F0050	11-18		11062355	Setting lug	1
	F0060	11-18		11008915	Setting lug pin	1
	F0070	11-18		042465	Set screw	1
	F0090	11-18		11014186	Button head screw	1
	F0100	11-18		140644	Plug assembly	2
	F0120	11-18		736389 (9007314-1211)	Screw	8
	F0160	11-18		140644	Plug assembly	2
	QF080	11-18		11054387	Valve segment assembly	1

END CAP - 210CC

Order Code	Item	Date Begin	Date End	Part Number	Part Name	Qty. per Model/Kit
PA	F0010	15-49		11149879	End cap, axial ports	1
	F0020	15-49		11149628	Servo piston	1
	F0030	15-49		11149626	Spring guide	1
	F0040	15-49		11150689	Spring	1
	F0050	15-49		11149627	Setting lug	1
	F0060	15-49		11008915	Setting lug pin	1
	F0070	15-49		042465	Set screw, M10 x 10	1
	F0090	15-49		11014186	Button head screw	1
	F0100	15-49		140644	Plug assembly	2
	F0120	15-49		703900	Screw, M16 x 70	8
	F0160	15-49		140644	Plug assembly	2
	QF080	15-49		11149568	Valve segment assembly	1



Parts

Endcap - PA

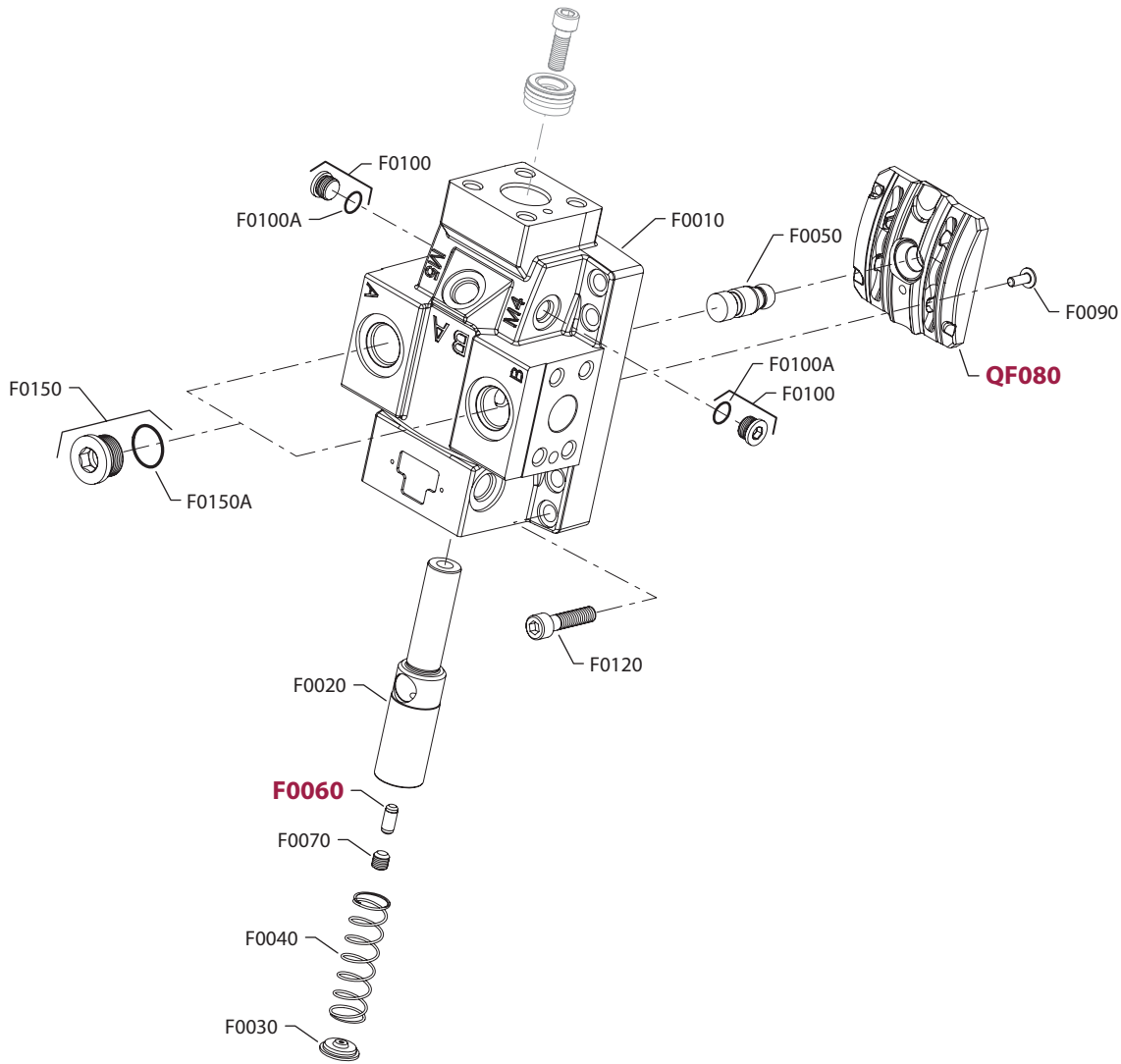
END CAP - 250CC

Order Code	Item	Date Begin	Date End	Part Number	Part Name	Qty. per Model/Kit
PA	F0010	13-23		11090018	End cap	1
	F0020	13-23		11093066	Servo piston	1
	F0030	13-23		11090825	Spring guide	1
	F0040	13-23		11094299	Spring	1
	F0050	13-23		11093068	Setting lug	1
	F0060	13-23		11008915	Setting lug pin	1
	F0070	13-23		042465	Set screw	1
	F0090	13-23		11014186	Button head screw	1
	F0100	13-23		140644	Plug assembly	2
	F0120	13-23		703900	Screw	8
	F0160	13-23		140644	Plug assembly	2
	QF080	13-23		11086155	Valve segment assembly	1



Parts

Endcap - PB



XE101 609E


Parts
Endcap - PB
END CAP - 60CC

Order Code	Item	Date Begin	Date End	Part Number	Part Name	Qty. per Model/Kit
PB	F0010	09-31		11007457	End cap	1
	F0020	09-31		11007450	Servo piston	1
	F0030	09-31		11007448	Spring guide	1
	F0040	09-31		11004795	Spring	1
	F0050	09-31		11007449	Setting lug	1
	F0060	09-31		11008915	Setting lug pin	1
	F0070	09-31		042465	Set screw	1
	F0090	09-31		11014186	Button head screw	1
	F0100	09-31		140644	Plug assembly	2
	F0100A	09-31		085043 (9004201-3700)	O-ring	2
	F0120	09-31		672295 (9007314-1010)	Screw	8
	F0150	09-31		315325 (9005110-8700)	Plug assembly	2
	F0150A	09-31		001149 (9004201-6200)	O-ring	2
	QF080	09-31		11051880	Valve segment assembly	1

END CAP - 80CC

Order Code	Item	Date Begin	Date End	Part Number	Part Name	Qty. per Model/Kit
PB	F0010	08-14		11010111	End cap	1
	F0020	08-14		11004621	Servo piston	1
	F0030	08-14		11004794	Spring guide	1
	F0040	08-14		11004885	Spring	1
	F0050	08-14		11004619	Setting lug	1
	F0060	08-14		11008915	Setting lug pin	1
	F0070	08-14		042465	Set screw	1
	F0090	08-14		11014186	Button head screw	1
	F0100	08-14		140644	Plug assembly	2
	F0100A	08-14		085043 (9004201-3700)	O-ring	2
	F0120	08-14		672295 (9007314-1010)	Screw	8
	F0150	08-14		664524 (9005110-9000)	Plug assembly	2
	F0150A	08-14		001156 (9004201-7500)	O-ring	2
	QF080	08-14		11051882	Valve segment assembly	1


Parts
Endcap - PB
END CAP - 110CC

Order Code	Item	Date Begin	Date End	Part Number	Part Name	Qty. per Model/Kit
PB	F0010	08-14		149031	End cap	1
	F0020	08-14		11008794	Servo piston	1
	F0030	08-14		11008797	Spring guide	1
	F0040	08-14		11008705	Spring	1
	F0050	08-14		11008796	Setting lug	1
	F0060	08-14		11008915	Setting lug pin	1
	F0070	08-14		042465	Set screw	1
	F0090	08-14		11014186	Button head screw	1
	F0100	08-14		140644	Plug assembly	2
	F0100A	08-14		085043 (9004201-3700)	O-ring	2
	F0120	08-14		283325 (9007314-1211)	Screw	8
	F0150	08-14		664524 (9005110-9000)	Plug assembly	2
	F0150A	08-14		001156 (9004201-7500)	O-ring	2
	QF080	08-14		11051884	Valve segment assembly	1

END CAP - 160CC

Order Code	Item	Date Begin	Date End	Part Number	Part Name	Qty. per Model/Kit
PB	F0010	11-18		11063309	End cap	1
	F0020	11-18		11062356	Servo piston	1
	F0030	11-18		11062103	Spring guide	1
	F0040	11-18		11007971	Spring	1
	F0050	11-18		11062355	Setting lug	1
	F0060	11-18		11008915	Setting lug pin	1
	F0070	11-18		042465	Set screw	1
	F0090	11-18		11014186	Button head screw	1
	F0100	11-18		140644	Plug assembly	2
	F0120	11-18		736389 (9007314-1211)	Screw	8
	F0150	11-18		664524 (9005110-9000)	Plug assembly	2
	QF080	11-18		11054387	Valve segment assembly	1

END CAP - 210CC

Order Code	Item	Date Begin	Date End	Part Number	Part Name	Qty. per Model/Kit
PB	F0010	15-49		11149880	End cap, side ports	1
	F0020	15-49		11149628	Servo piston	1
	F0030	15-49		11149626	Spring guide	1
	F0040	15-49		11150689	Spring	1
	F0050	15-49		11149627	Setting lug	1
	F0060	15-49		11008915	Setting lug pin	1
	F0070	15-49		042465	Set screw, M10 x 10	1
	F0090	15-49		11014186	Button head screw	1
	F0100	15-49		140644	Plug assembly	2
	F0120	15-49		703900	Screw, M16 x 70	8
	F0150	15-49		664524 (9005110-9000)	Plug assembly	2
	QF080	15-49		11149568	Valve segment assembly	1



Parts

Endcap - PB

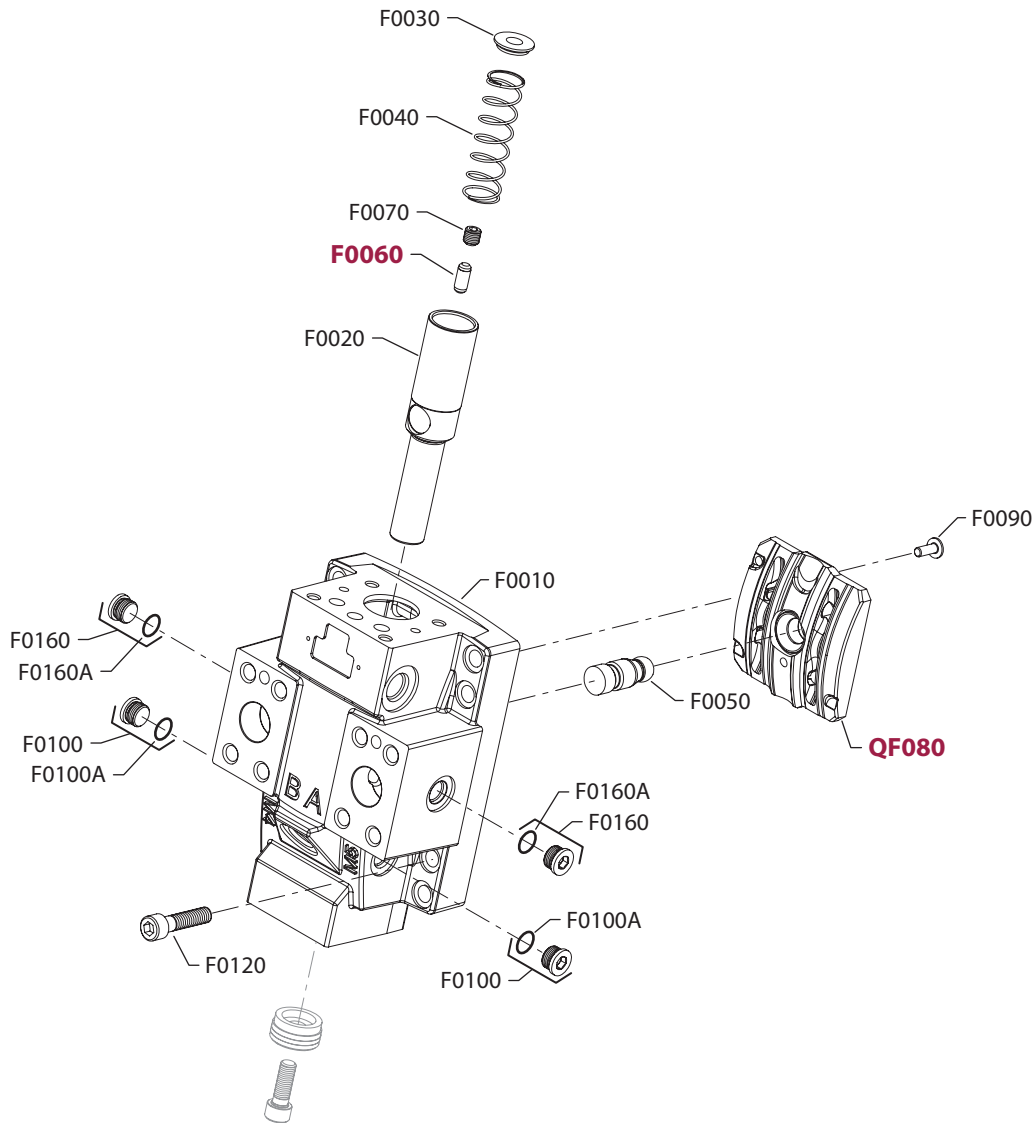
END CAP - 250CC

Order Code	Item	Date Begin	Date End	Part Number	Part Name	Qty. per Model/Kit
PB	F0010	13-23		11090017	End cap	1
	F0020	13-23		11093066	Servo piston	1
	F0030	13-23		11090825	Spring guide	1
	F0040	13-23		11094299	Spring	1
	F0050	13-23		11093068	Setting lug	1
	F0060	13-23		11008915	Setting lug pin	1
	F0070	13-23		042465	Set screw	1
	F0090	13-23		11014186	Button head screw	1
	F0100	13-23		140644	Plug assembly	2
	F0120	13-23		703900	Screw	8
	F0150	13-23		664524 (9005110-9000)	Plug assembly	2
	QF080	13-23		11086155	Valve segment assembly	1



Parts

Endcap - RA



XE101 610E



Parts

Endcap - RA

END CAP - 60CC

Order Code	Item	Date Begin	Date End	Part Number	Part Name	Qty. per Model/Kit
RA	F0010	09-31		11007456	End cap	1
	F0020	09-31		11007450	Servo piston	1
	F0030	09-31		11007448	Spring guide	1
	F0040	09-31		11004795	Spring	1
	F0050	09-31		11007449	Setting lug	1
	F0060	09-31		11008915	Setting lug pin	1
	F0070	09-31		042465	Set screw	1
	F0090	09-31		11014186	Button head screw	1
	F0100	09-31		140644	Plug assembly	2
	F0100A	09-31		085043 (9004201-3700)	O-ring	2
	F0120	09-31		672295 (9007314-1010)	Screw	8
	F0160	09-31		140644	Plug assembly	2
	F0160A	09-31		085043 (9004201-3700)	O-ring	2
	QF080	09-31		11051880	Valve segment assembly	1

END CAP - 80CC

Order Code	Item	Date Begin	Date End	Part Number	Part Name	Qty. per Model/Kit
RA	F0010	08-14		11004637	End cap	1
	F0020	08-14		11004621	Servo piston	1
	F0030	08-14		11004794	Spring guide	1
	F0040	08-14		11004885	Spring	1
	F0050	08-14		11004619	Setting lug	1
	F0060	08-14		11008915	Setting lug pin	1
	F0070	08-14		042465	Set screw	1
	F0090	08-14		11014186	Button head screw	1
	F0100	08-14		140644	Plug assembly	2
	F0100A	08-14		085043 (9004201-3700)	O-ring	2
	F0120	08-14		672295 (9007314-1010)	Screw	8
	F0160	08-14		140644	Plug assembly	2
	F0160A	08-14		085043 (9004201-3700)	O-ring	2
	QF080	08-14		11051882	Valve segment assembly	1


Parts
Endcap - RA
END CAP - 110CC

Order Code	Item	Date Begin	Date End	Part Number	Part Name	Qty. per Model/Kit
RA	F0010	08-14		149032	End cap	1
	F0020	08-14		11008794	Servo piston	1
	F0030	08-14		11008797	Spring guide	1
	F0040	08-14		11008705	Spring	1
	F0050	08-14		11008796	Setting lug	1
	F0060	08-14		11008915	Setting lug pin	1
	F0070	08-14		042465	Set screw	1
	F0090	08-14		11014186	Button head screw	1
	F0100	08-14		140644	Plug assembly	2
	F0100A	08-14		085043 (9004201-3700)	O-ring	2
	F0120	08-14		283325 (9007314-1211)	Screw	8
	F0160	08-14		140644	Plug assembly	2
	F0160A	08-14		085043 (9004201-3700)	O-ring	2
	QF080	08-14		11051884	Valve segment assembly	1

END CAP - 160CC

Order Code	Item	Date Begin	Date End	Part Number	Part Name	Qty. per Model/Kit
RA	F0010	11-18		11063308	End cap	1
	F0020	11-18		11062356	Servo piston	1
	F0030	11-18		11062103	Spring guide	1
	F0040	11-18		11007971	Spring	1
	F0050	11-18		11062355	Setting lug	1
	F0060	11-18		11008915	Setting lug pin	1
	F0070	11-18		042465	Set screw	1
	F0090	11-18		11014186	Button head screw	1
	F0100	11-18		140644	Plug assembly	2
	F0120	11-18		736389 (9007314-1211)	Screw	8
	F0160	11-18		140644	Plug assembly	2
	QF080	11-18		11054387	Valve segment assembly	1

END CAP - 210CC

Order Code	Item	Date Begin	Date End	Part Number	Part Name	Qty. per Model/Kit
RA	F0010	15-49		11149879	End cap, axial ports	1
	F0020	15-49		11149628	Servo piston	1
	F0030	15-49		11149626	Spring guide	1
	F0040	15-49		11150689	Spring	1
	F0050	15-49		11149627	Setting lug	1
	F0060	15-49		11008915	Setting lug pin	1
	F0070	15-49		042465	Set screw, M10 x 10	1
	F0090	15-49		11014186	Button head screw	1
	F0100	15-49		140644	Plug assembly	2
	F0120	15-49		703900	Screw, M16 x 70	8
	F0160	15-49		140644	Plug assembly	2
	QF080	15-49		11149568	Valve segment assembly	1



Parts

Endcap - RA

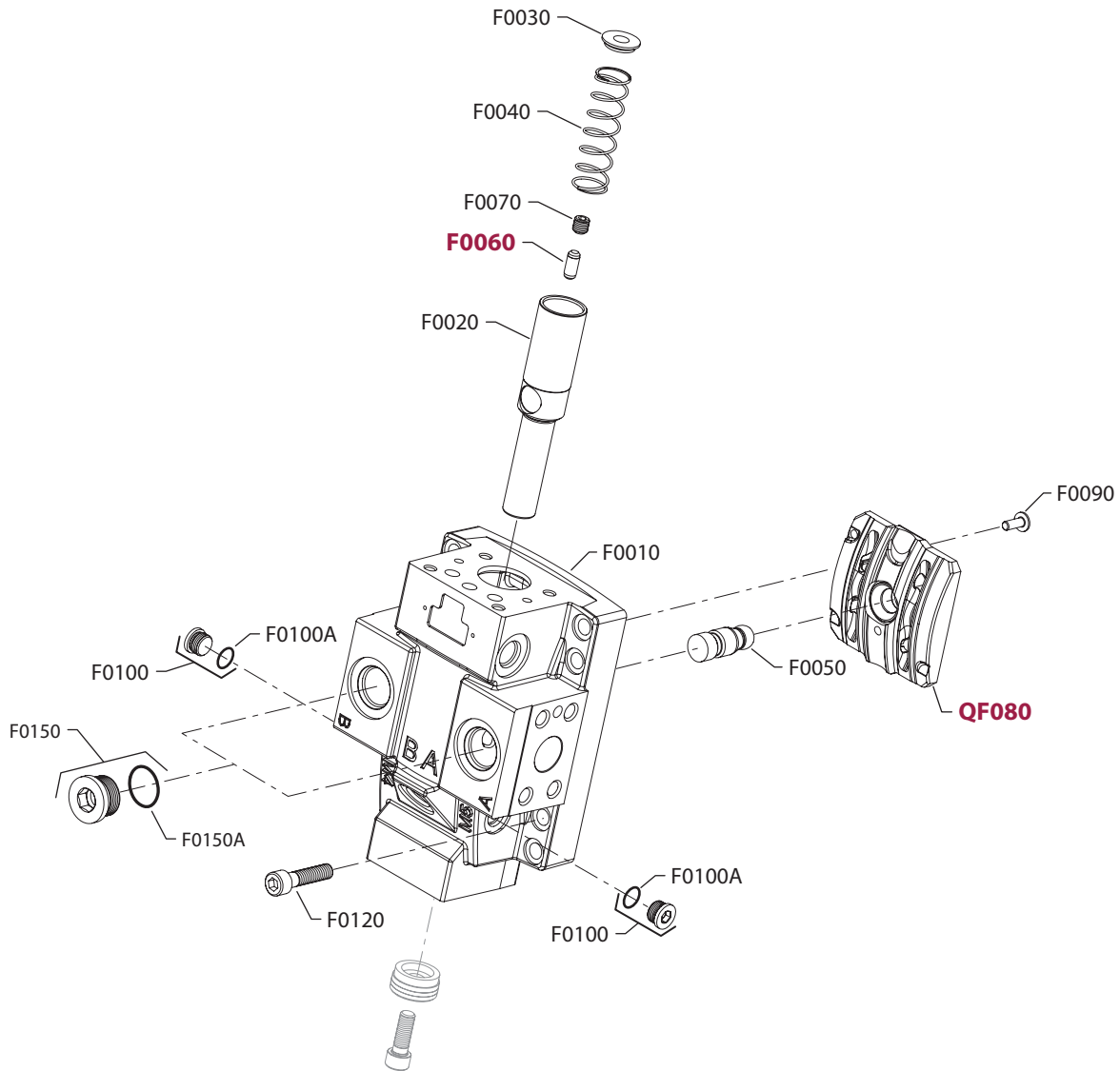
END CAP - 250CC

Order Code	Item	Date Begin	Date End	Part Number	Part Name	Qty. per Model/Kit
RA	F0010	13-23		11090018	End cap	1
	F0020	13-23		11093066	Servo piston	1
	F0030	13-23		11090825	Spring guide	1
	F0040	13-23		11094299	Spring	1
	F0050	13-23		11093068	Setting lug	1
	F0060	13-23		11008915	Setting lug pin	1
	F0070	13-23		042465	Set screw	1
	F0090	13-23		11014186	Button head screw	1
	F0100	13-23		140644	Plug assembly	2
	F0120	13-23		703900	Screw	8
	F0160	13-23		140644	Plug assembly	2
	QF080	13-23		11086155	Valve segment assembly	1



Parts

Endcap - RB



XE101 611E



Parts

Endcap - RB

END CAP - 60CC

Order Code	Item	Date Begin	Date End	Part Number	Part Name	Qty. per Model/Kit
RB	F0010	08-14		149031	End cap	1
	F0020	08-14		11008794	Servo piston	1
	F0030	08-14		11008797	Spring guide	1
	F0040	08-14		11008705	Spring	1
	F0050	08-14		11008796	Setting lug	1
	F0060	08-14		11008915	Setting lug pin	1
	F0070	08-14		042465	Set screw	1
	F0090	08-14		11014186	Button head screw	1
	F0100	08-14		140644	Plug assembly	2
	F0100A	08-14		085043 (9004201-3700)	O-ring	2
	F0120	08-14		283325 (9007314-1211)	Screw	8
	F0150	08-14		664524 (9005110-9000)	Plug assembly	2
	F0150A	08-14		001156 (9004201-7500)	O-ring	2
	QF080	08-14		11051884	Valve segment assembly	1

END CAP - 80CC

Order Code	Item	Date Begin	Date End	Part Number	Part Name	Qty. per Model/Kit
RB	F0010	08-14		11010111	End cap	1
	F0020	08-14		11004621	Servo piston	1
	F0030	08-14		11004794	Spring guide	1
	F0040	08-14		11004885	Spring	1
	F0050	08-14		11004619	Setting lug	1
	F0060	08-14		11008915	Setting lug pin	1
	F0070	08-14		042465	Set screw	1
	F0090	08-14		11014186	Button head screw	1
	F0100	08-14		140644	Plug assembly	2
	F0100A	08-14		085043 (9004201-3700)	O-ring	2
	F0120	08-14		672295 (9007314-1010)	Screw	8
	F0150	08-14		664524 (9005110-9000)	Plug assembly	2
	F0150A	08-14		001156 (9004201-7500)	O-ring	2
	QF080	08-14		11051882	Valve segment assembly	1


Parts
Endcap - RB
END CAP - 110CC

Order Code	Item	Date Begin	Date End	Part Number	Part Name	Qty. per Model/Kit
RB	F0010	08-14		149031	End cap	1
	F0020	08-14		11008794	Servo piston	1
	F0030	08-14		11008797	Spring guide	1
	F0040	08-14		11008705	Spring	1
	F0050	08-14		11008796	Setting lug	1
	F0060	08-14		11008915	Setting lug pin	1
	F0070	08-14		042465	Set screw	1
	F0090	08-14		11014186	Button head screw	1
	F0100	08-14		140644	Plug assembly	2
	F0100A	08-14		085043 (9004201-3700)	O-ring	2
	F0120	08-14		283325 (9007314-1211)	Screw	8
	F0150	08-14		664524 (9005110-9000)	Plug assembly	2
	F0150A	08-14		001156 (9004201-7500)	O-ring	2
	QF080	08-14		11051884	Valve segment assembly	1

END CAP - 160CC

Order Code	Item	Date Begin	Date End	Part Number	Part Name	Qty. per Model/Kit
RB	F0010	11-18		11063309	End cap	1
	F0020	11-18		11062356	Servo piston	1
	F0030	11-18		11062103	Spring guide	1
	F0040	11-18		11007971	Spring	1
	F0050	11-18		11062355	Setting lug	1
	F0060	11-18		11008915	Setting lug pin	1
	F0070	11-18		042465	Set screw	1
	F0090	11-18		11014186	Button head screw	1
	F0100	11-18		140644	Plug assembly	2
	F0120	11-18		736389 (9007314-1211)	Screw	8
	F0150	11-18		664524 (9005110-9000)	Plug assembly	2
	QF080	11-18		11054387	Valve segment assembly	1

END CAP - 210CC

Order Code	Item	Date Begin	Date End	Part Number	Part Name	Qty. per Model/Kit
RB	F0010	15-49		11149880	End cap, side ports	1
	F0020	15-49		11149628	Servo piston	1
	F0030	15-49		11149626	Spring guide	1
	F0040	15-49		11150689	Spring	1
	F0050	15-49		11149627	Setting lug	1
	F0060	15-49		11008915	Setting lug pin	1
	F0070	15-49		042465	Set screw, M10 x 10	1
	F0090	15-49		11014186	Button head screw	1
	F0100	15-49		140644	Plug assembly	2
	F0120	15-49		703900	Screw, M16 x 70	8
	F0150	15-49		664524 (9005110-9000)	Plug assembly	2
	QF080	15-49		11149568	Valve segment assembly	1



Parts

Endcap - RB

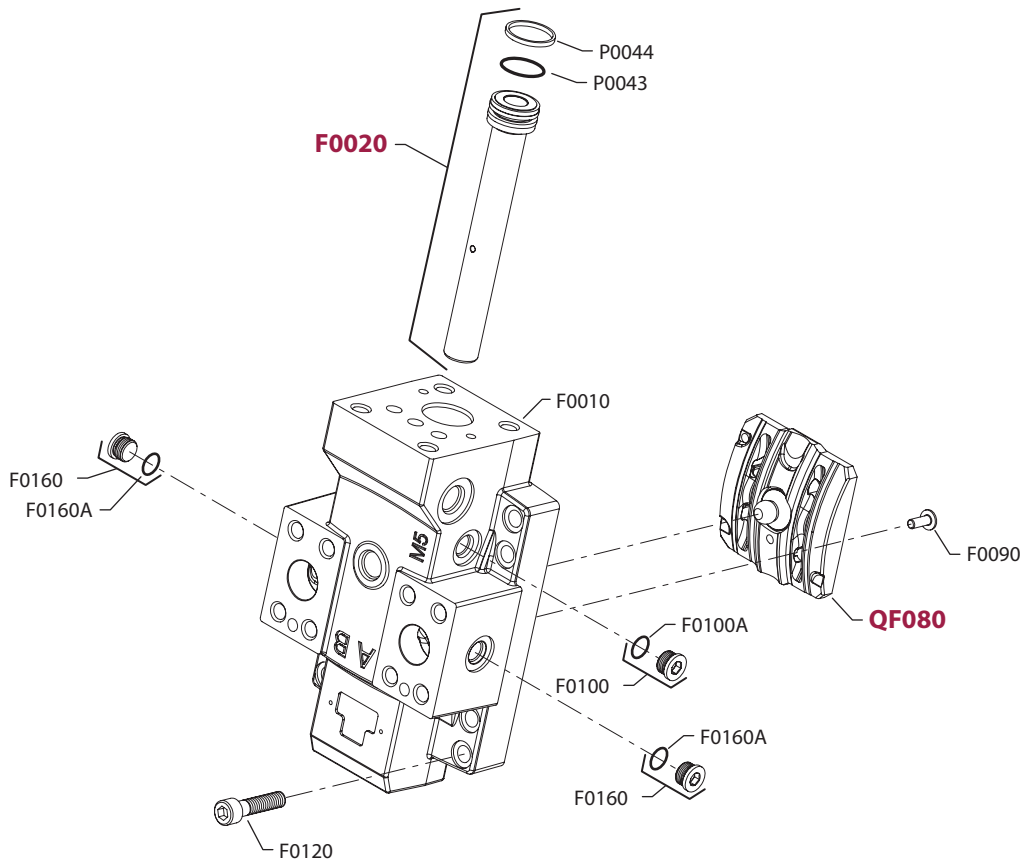
END CAP - 250CC

Order Code	Item	Date Begin	Date End	Part Number	Part Name	Qty. per Model/Kit
RB	F0010	13-23		11090017	End cap	1
	F0020	13-23		11093066	Servo piston	1
	F0030	13-23		11090825	Spring guide	1
	F0040	13-23		11094299	Spring	1
	F0050	13-23		11093068	Setting lug	1
	F0060	13-23		11008915	Setting lug pin	1
	F0070	13-23		042465	Set screw	1
	F0090	13-23		11014186	Button head screw	1
	F0100	13-23		140644	Plug assembly	2
	F0120	13-23		703900	Screw	8
	F0150	13-23		664524 (9005110-9000)	Plug assembly	2
	QF080	13-23		11086155	Valve segment assembly	1



Parts

Endcap - TA



XE101 612E



Parts

Endcap - TA

END CAP - 60CC

Order Code	Item	Date Begin	Date End	Part Number	Part Name	Qty. per Model/Kit
TA	F0010	09-31		11037511	End cap	1
	F0020	08-14		11043400	Servo piston	1
	F0090	09-31		11014186	Button head screw	1
	F0100	09-31		140644	Plug assembly	1
	F0100A	09-31		085043 (9004201-3700)	O-ring	1
	F0120	09-31		672295 (9007314-1010)	Screw	8
	F0160	09-31		140644	Plug assembly	1
	F0160A	09-31		085043 (9004201-3700)	O-ring	1
	P0043	09-31		504207	O-ring	1
	P0044	09-31		508134	Piston ring	1
	QF080	09-31		11051879	Valve segment assembly	1

END CAP - 80CC

Order Code	Item	Date Begin	Date End	Part Number	Part Name	Qty. per Model/Kit
TA	F0010	08-14		11024201	End cap	1
	F0020	08-14		11023129	Servo piston	1
	F0090	08-14		11014186	Button head screw	1
	F0100	08-14		140644	Plug assembly	1
	F0100A	08-14		085043 (9004201-3700)	O-ring	1
	F0120	08-14		672295 (9007314-1010)	Screw	8
	F0160	08-14		140644	Plug assembly	2
	F0160A	08-14		085043 (9004201-3700)	O-ring	2
	P0043	08-14		504208	O-ring	1
	P0044	08-14		508136	Piston ring	1
	QF080	08-14		11051881	Valve segment assembly	1


Parts
Endcap - TA
END CAP - 110CC

Order Code	Item	Date Begin	Date End	Part Number	Part Name	Qty. per Model/Kit
TA	F0010	08-14		11012372	End cap	1
	F0020	08-14		11020417	Servo piston	1
	F0090	08-14		11014186	Button head screw	1
	F0100	08-14		140644	Plug assembly	1
	F0100A	08-14		085043 (9004201-3700)	O-ring	1
	F0120	08-14		283325 (9007314-1211)	Screw	8
	F0160	08-14		140644	Plug assembly	2
	F0160A	08-14		085043 (9004201-3700)	O-ring	2
	P0043	08-14		315242	O-ring	1
	P0044	08-14		648345	Piston ring	1
	QF080	08-14		11051883	Valve segment assembly	1

END CAP - 160CC

Order Code	Item	Date Begin	Date End	Part Number	Part Name	Qty. per Model/Kit
TA	F0010	11-18		11063310	End cap	1
	F0020	11-18		11062400	Servo piston assembly	1
	F0090	11-18		11014186	Button head screw	1
	F0100	11-18		140644	Plug assembly	1
	F0120	11-18		736389 (9007314-1211)	Screw	8
	F0160	11-18		140644	Plug assembly	2
	P0043	11-18		11063016	O-ring	1
	P0044	11-18		11063013	Piston ring	1
	QF080	11-18		11054402	Valve segment assembly	1

END CAP - 210CC

Order Code	Item	Date Begin	Date End	Part Number	Part Name	Qty. per Model/Kit
TA	F0010	15-49		11153159	End cap, axial ports	1
	F0020	13-23		11153150	Servo piston assembly	1
	F0090	13-23		11014186	Button head screw	1
	F0100	13-23		140644	Plug assembly	1
	F0120	13-23		703900	Screw, M16 x 70	8
	F0160	13-23		140644	Plug assembly	2
	P0043	13-23		11063016	O-ring	1
	P0044	13-23		11063013	Piston ring	1
	QF080	13-23		11153154	Valve segment assembly	1



Parts

Endcap - TA

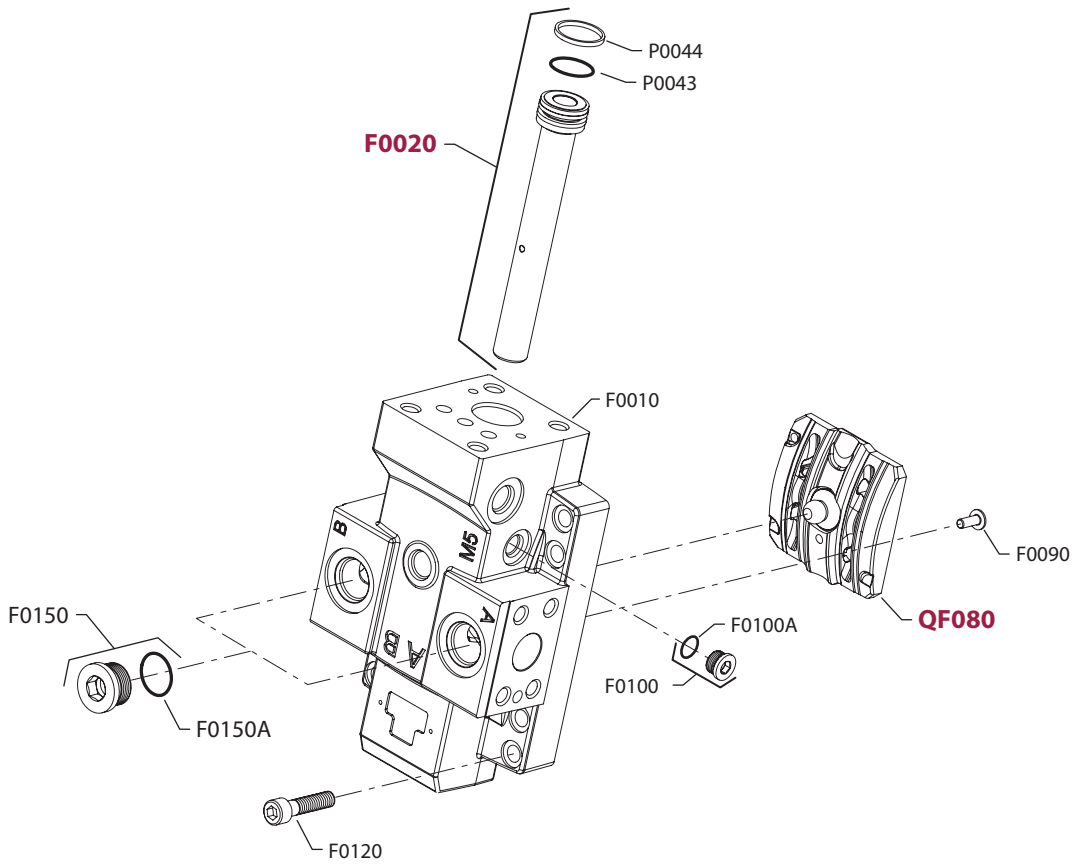
END CAP - 250CC

Order Code	Item	Date Begin	Date End	Part Number	Part Name	Qty. per Model/Kit
TA	F0010	13-23		11115846	End cap	1
	F0020	13-23		11115849	Servo piston assembly	1
	F0090	13-23		11014186	Button head screw	1
	F0100	13-23		140644	Plug assembly	1
	F0120	13-23		703900	Screw	8
	F0160	13-23		140644	Plug assembly	2
	P0043	13-23		11063016	O-ring	1
	P0044	13-23		11063013	Piston ring	1
	QF080	13-23		11116072	Valve segment assembly	1



Parts

Endcap - TB



XE101 613E



Parts

Endcap - TB

END CAP - 60CC

Order Code	Item	Date Begin	Date End	Part Number	Part Name	Qty. per Model/Kit
TB	F0010	09-31		11037522	End cap	1
	F0020	09-31		11043400	Servo piston	1
	F0090	09-31		11014186	Button head screw	1
	F0100	09-31		140644	Plug assembly	1
	F0100A	09-31		085043 (9004201-3700)	O-ring	1
	F0120	09-31		672295 (9007314-1010)	Screw	8
	F0150	09-31		315325 (9005110-8700)	Plug assembly	2
	F0150A	09-31		001149 (9004201-6200)	O-ring	2
	P0043	09-31		504207	O-ring	1
	P0044	09-31		508134	Piston ring	1
	QF080	09-31		11051879	Valve segment assembly	1

END CAP - 80CC

Order Code	Item	Date Begin	Date End	Part Number	Part Name	Qty. per Model/Kit
TB	F0010	08-14		11024212	End cap	1
	F0020	08-14		11023129	Servo piston	1
	F0090	08-14		11014186	Button head screw	1
	F0100	08-14		140644	Plug assembly	1
	F0100A	08-14		085043 (9004201-3700)	O-ring	1
	F0120	08-14		672295 (9007314-1010)	Screw	8
	F0150	08-14		664524 (9005110-9000)	Plug assembly	2
	F0150A	08-14		001156 (9004201-7500)	O-ring	2
	P0043	08-14		504208	O-ring	1
	P0044	08-14		508136	Piston ring	1
	QF080	08-14		11051881	Valve segment assembly	1


Parts
Endcap - TB
END CAP - 110CC

Order Code	Item	Date Begin	Date End	Part Number	Part Name	Qty. per Model/Kit
TB	F0010	08-14		11012378	End cap	1
	F0020	08-14		11020417	Servo piston	1
	F0090	08-14		11014186	Button head screw	1
	F0100	08-14		140644	Plug assembly	1
	F0100A	08-14		085043 (9004201-3700)	O-ring	1
	F0120	08-14		283325 (9007314-1211)	Screw	8
	F0150	08-14		664524 (9005110-9000)	Plug assembly	2
	F0150A	08-14		001156 (9004201-7500)	O-ring	2
	P0043	08-14		315242	O-ring	1
	P0044	08-14		648345	Piston ring	1
	QF080	08-14		11051883	Valve segment assembly	1

END CAP - 160

Order Code	Item	Date Begin	Date End	Part Number	Part Name	Qty. per Model/Kit
TB	F0010	11-18		11063311	End cap	1
	F0020	11-18		11062400	Servo piston assembly	1
	F0090	11-18		11014186	Button head screw	1
	F0100	11-18		140644	Plug assembly	1
	F0120	11-18		736389 (9007314-1211)	Screw	8
	F0160	11-18		140644	Plug assembly	2
	P0043	11-18		11063016	O-ring	1
	P0044	11-18		11063013	Piston ring	1
	QF080	11-18		11054402	Valve segment assembly	1

END CAP - 210CC

Order Code	Item	Date Begin	Date End	Part Number	Part Name	Qty. per Model/Kit
TB	F0010	15-49		11153167	End cap, side ports	1
	F0020	15-49		11153150	Servo piston assembly	1
	F0090	15-49		11014186	Button head screw	1
	F0100	15-49		140644	Plug assembly	1
	F0120	15-49		703900	Screw, M16 x 70	8
	F0150	15-49		664524 (9005110-9000)	Plug assembly	2
	P0043	15-49		11063016	O-ring	1
	P0044	15-49		11063013	Piston ring	1
	QF080	15-49		11153154	Valve segment assembly	1



Parts

Endcap - TB

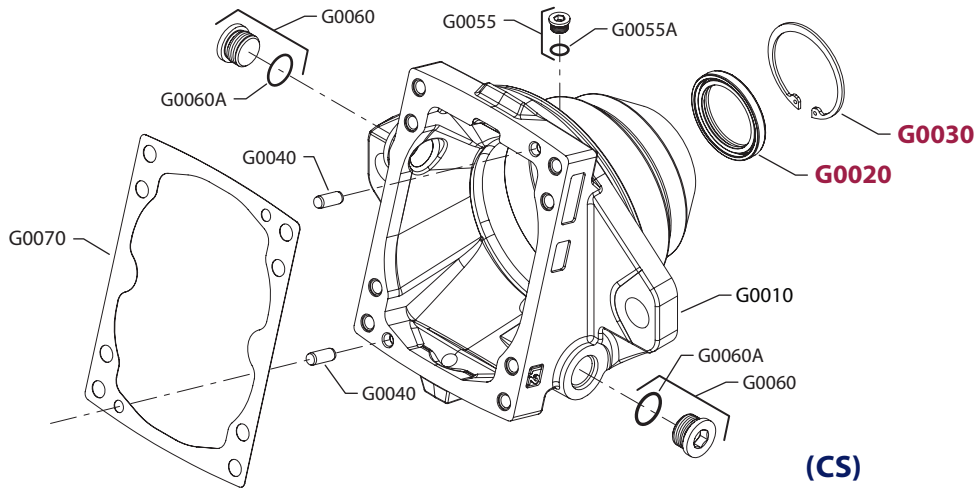
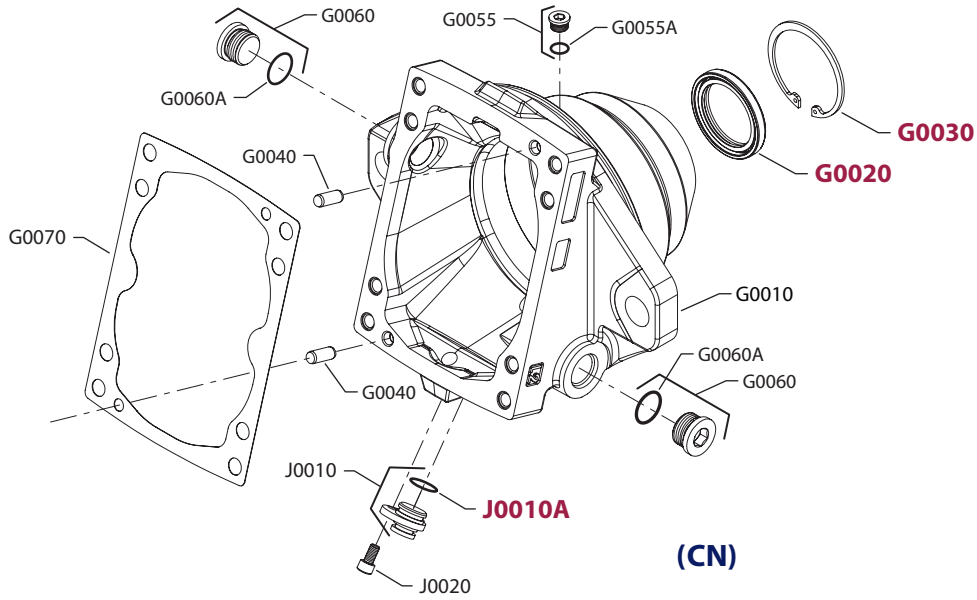
END CAP - 250CC

Order Code	Item	Date Begin	Date End	Part Number	Part Name	Qty. per Model/Kit
TB	F0010	13-23		11115847	End cap	1
	F0020	13-23		11115849	Servo piston assembly	1
	F0090	13-23		11014186	Button head screw	1
	F0100	13-23		140644	Plug assembly	1
	F0120	13-23		703900	Screw	8
	F0150	13-23		664524 (9005110-9000)	Plug assembly	2
	P0043	13-23		11063016	O-ring	1
	P0044	13-23		11063013	Piston ring	1
	QF080	13-23		11116072	Valve segment assembly	1



Parts

Housing - CN, CS



XE101 614E


Parts
Housing - CN, CS
FLANGE/HOUSING - 60CC

Order Code	Item	Date Begin	Date End	Part Number	Part Name	Qty. per Model/Kit
CN	G0010	09-31		11006476	Housing, cartridge with speed sensor port	1
	G0020	09-31		519021	Lip seal	1
	G0030	09-31		915280	Retaining ring	1
	G0040	09-31		11007677	Pin	2
	G0055	09-31		327007 (9005110-4400)	Plug assembly	1
	G0055A	09-31		001123 (9004201-2500)	O-ring	1
	G0060	09-31		315325 (9005110-8700)	Plug assembly	2
	G0060A	09-31		001149 (9004201-6200)	O-ring	2
	G0070	09-31		11007447	Gasket	1
	J0010	09-31		11013290	PPU plug assembly	1
	J0010A	09-31		018499 (9004100-0160)	O-ring	1
	J0020	09-31		395822 (9007315-0603)	Screw	1
	CS	G0010	09-31		11006476	Housing, cartridge with speed sensor port
G0020		09-31		519021	Lip seal	1
G0030		09-31		915280	Retaining ring	1
G0040		09-31		11007677	Pin	2
G0055		09-31		327007 (9005110-4400)	Plug assembly	1
G0055A		09-31		001123 (9004201-2500)	O-ring	1
G0060		09-31		315325 (9005110-8700)	Plug assembly	2
G0060A		09-31		001149 (9004201-6200)	O-ring	2
G0070		09-31		11007447	Gasket	1

FLANGE/HOUSING - 80CC

Order Code	Item	Date Begin	Date End	Part Number	Part Name	Qty. per Model/Kit
CN	G0010	08-14		11002770	Housing, cartridge with speed sensor port	1
	G0020	08-14		519021	Lip seal	1
	G0030	08-14		915280	Retaining ring	1
	G0040	08-14		11007677	Pin	2
	G0055	08-14		327007 (9005110-4400)	Plug assembly	1
	G0055A	08-14		001123 (9004201-2500)	O-ring	1
	G0060	08-14		315325 (9005110-8700)	Plug assembly	2
	G0060A	08-14		001149 (9004201-6200)	O-ring	2
	G0070	08-14		11004635	Gasket	1
	J0010	08-14		11013290	PPU plug assembly	1
	J0010A	08-14		018499 (9004100-0160)	O-ring	1
	J0020	08-14		395822 (9007315-0603)	Screw	1
	CS	G0010	08-14		11002770	Housing, cartridge with speed sensor port
G0020		08-14		519021	Lip seal	1
G0030		08-14		915280	Retaining ring	1
G0040		08-14		11007677	Pin	2
G0055		08-14		327007 (9005110-4400)	Plug assembly	1
G0055A		08-14		001123 (9004201-2500)	O-ring	1
G0060		08-14		315325 (9005110-8700)	Plug assembly	2
G0060A		08-14		001149 (9004201-6200)	O-ring	2
G0070		08-14		11004635	Gasket	1


Parts
Housing - CN, CS
FLANGE/HOUSING - 110CC

Order Code	Item	Date Begin	Date End	Part Number	Part Name	Qty. per Model/Kit
CN	G0010	08-14		149028	Housing, cartridge with speed sensor port	1
	G0020	08-14		519022	Lip seal	1
	G0030	08-14		392423	Retaining ring	1
	G0040	08-14		11007677	Pin	2
	G0055	08-14		327007 (9005110-4400)	Plug assembly	1
	G0055A	08-14		001123 (9004201-2500)	O-ring	1
	G0060	08-14		664524 (9005110-9000)	Plug assembly	2
	G0060A	08-14		001156 (9004201-7500)	O-ring	2
	G0070	08-14		149033	Gasket	1
	J0010	08-14		11013290	PPU plug assembly	1
	J0010A	08-14		018499 (9004100-0160)	O-ring	1
	J0020	08-14		395822 (9007315-0603)	Screw	1
CS	G0010	08-14		149028	Housing, cartridge with speed sensor port	1
	G0020	08-14		519022	Lip seal	1
	G0030	08-14		392423	Retaining ring	1
	G0040	08-14		11007677	Pin	2
	G0055	08-14		327007 (9005110-4400)	Plug assembly	1
	G0055A	08-14		001123 (9004201-2500)	O-ring	1
	G0060	08-14		664524 (9005110-9000)	Plug assembly	2
	G0060A	08-14		001156 (9004201-7500)	O-ring	2
	G0070	08-14		149033	Gasket	1

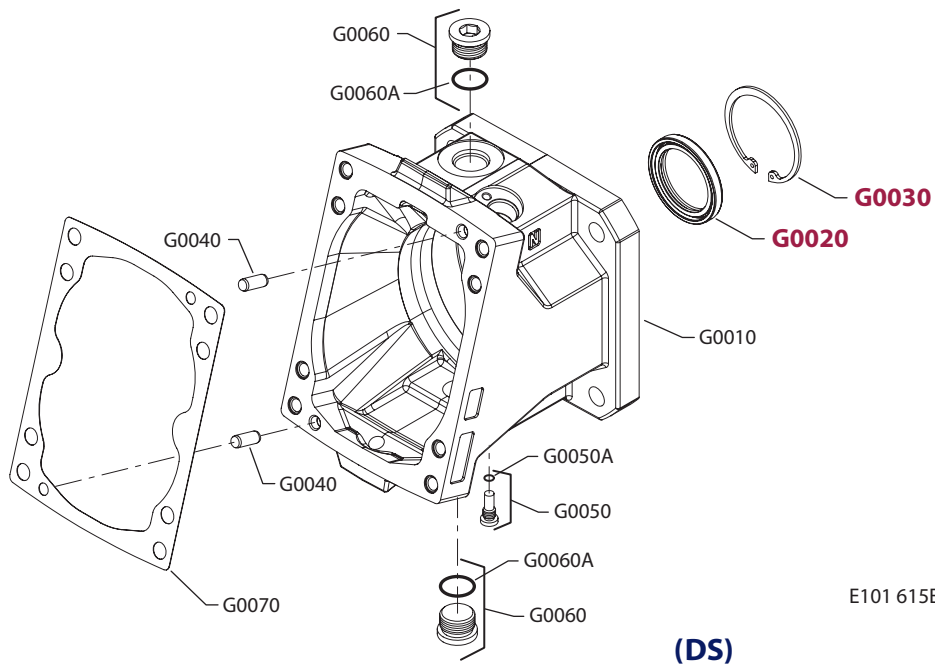
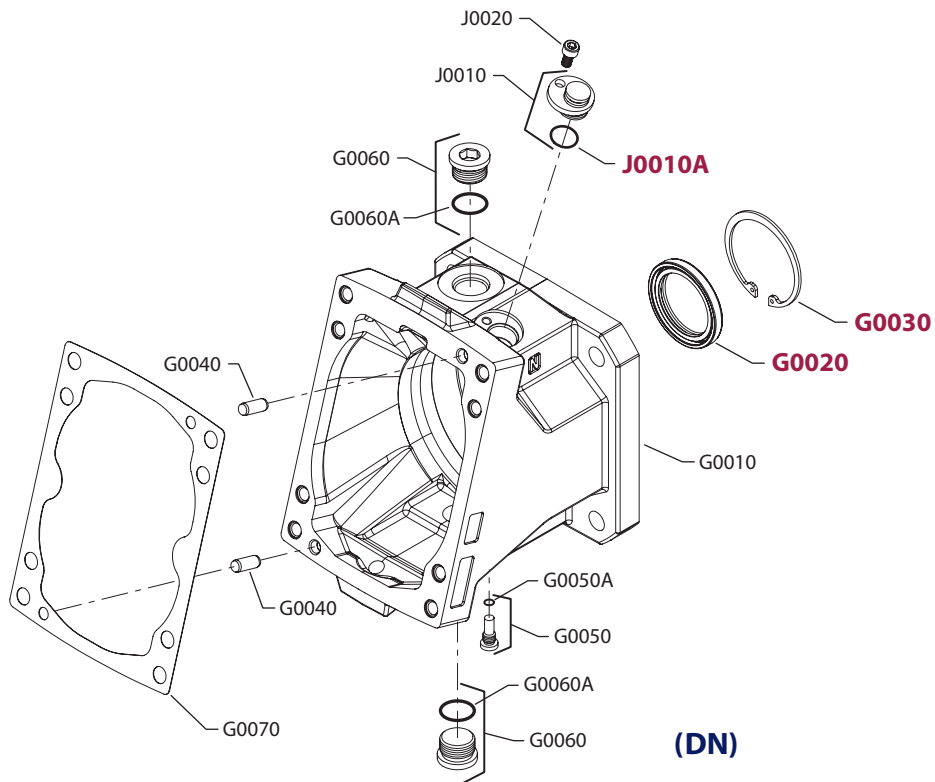
FLANGE/HOUSING - 160CC

Order Code	Item	Date Begin	Date End	Part Number	Part Name	Qty. per Model/Kit	
CN	G0010	11-18		11061108	Housing, cartridge with speed sensor port	1	
	G0020	11-18		519022	Lip seal	1	
	G0030	11-18		392423	Retaining ring	1	
	G0040	11-18		11007677	Pin	2	
	G0055	11-18		11056747	Shaft locating plug assembly	2	
	G0055A	11-18		039297 (9004201-1200)	O-ring	2	
	G0060	11-18		664524 (9005110-9000)	Plug assembly	2	
	G0070	11-18		11063312	Gasket	1	
	J0010	11-18		11013290	PPU plug assembly	1	
	J0020	11-18		395822 (9007315-0603)	Screw	1	
	J0041	11-18		018499 (9004100-0160)	O-ring	1	
	CS	G0010	11-18		11061108	Housing, cartridge with speed sensor port	1
		G0020	11-18		519022	Lip seal	1
G0030		11-18		392423	Retaining ring	1	
G0040		11-18		11007677	Pin	2	
G0055		11-18		11056747	Shaft locating plug assembly	2	
G0055A		11-18		039297 (9004201-1200)	O-ring	2	
G0060		11-18		664524 (9005110-9000)	Plug assembly	2	
G0070		11-18		11063312	Gasket	1	



Parts

Housing - DN, DS



E101 615E


Parts
Housing - DN, DS
FLANGE/HOUSING - 60CC

Order Code	Item	Date Begin	Date End	Part Number	Part Name	Qty. per Model/Kit
DN	G0010	09-31		11004632	Housing, DIN flange with speed sensor port	1
	G0020	09-31		519021	Lip seal	1
	G0030	09-31		915280	Retaining ring	1
	G0040	09-31		11007677	Pin	2
	G0050	09-31		11001378	Shaft locating plug assembly	1
	G0050A	09-31		039297 (9004201-1200)	O-ring	1
	G0060	09-31		315325 (9005110-8700)	Plug assembly	2
	G0060A	09-31		001149 (9004201-6200)	O-ring	2
	G0070	09-31		11007447	Gasket	1
	J0010	09-31		11013290	PPU plug assembly	1
	J0010A	09-31		018499 (9004100-0160)	O-ring	1
	J0020	09-31		395822 (9007315-0603)	Screw	1
	DS	G0010	09-31		11004632	Housing, DIN flange with speed sensor port
G0020		09-31		519021	Lip seal	1
G0030		09-31		915280	Retaining ring	1
G0040		09-31		11007677	Pin	2
G0050		09-31		11001378	Shaft locating plug assembly	1
G0050A		09-31		039297 (9004201-1200)	O-ring	1
G0060		09-31		315325 (9005110-8700)	Plug assembly	2
G0060A		09-31		001149 (9004201-6200)	O-ring	2
G0070		09-31		11007447	Gasket	1

FLANGE/HOUSING - 80CC

Order Code	Item	Date Begin	Date End	Part Number	Part Name	Qty. per Model/Kit
DN	G0010	08-14		11002768	Housing, DIN flange with speed sensor port	1
	G0020	08-14		519021	Lip seal	1
	G0030	08-14		915280	Retaining ring	1
	G0040	08-14		11007677	Pin	2
	G0050	08-14		11001378	Shaft locating plug assembly	1
	G0050A	08-14		039297 (9004201-1200)	O-ring	1
	G0060	08-14		315325 (9005110-8700)	Plug assembly	2
	G0060A	08-14		001149 (9004201-6200)	O-ring	2
	G0070	08-14		11004635	Gasket	1
	J0010	08-14		11013290	PPU plug assembly	1
	J0010A	08-14		018499 (9004100-0160)	O-ring	1
	J0020	08-14		395822 (9007315-0603)	Screw	1
	DS	G0010	08-14		11002768	Housing, DIN flange with speed sensor port
G0020		08-14		519021	Lip seal	1
G0030		08-14		915280	Retaining ring	1
G0040		08-14		11007677	Pin	2
G0050		08-14		11001378	Shaft locating plug assembly	1
G0050A		08-14		039297 (9004201-1200)	O-ring	1
G0060		08-14		315325 (9005110-8700)	Plug assembly	2
G0060A		08-14		001149 (9004201-6200)	O-ring	2
G0070		08-14		11004635	Gasket	1


Parts
Housing - DN, DS
FLANGE/HOUSING - 110CC

Order Code	Item	Date Begin	Date End	Part Number	Part Name	Qty. per Model/Kit
DN	G0010	08-14		149026	Housing, DIN flange with speed sensor port	1
	G0020	08-14		519022	Lip seal	1
	G0030	08-14		392423	Retaining ring	1
	G0040	08-14		11007677	Pin	2
	G0050	08-14		11001378	Shaft locating plug assembly	1
	G0050A	08-14		039297 (9004201-1200)	O-ring	1
	G0060	08-14		664524 (9005110-9000)	Plug assembly	2
	G0060	08-14		001156 (9004201-7500)	O-ring	2
	G0070	08-14		149033	Gasket	1
	J0010	08-14		11013290	PPU plug assembly	1
	J0010A	08-14		018499 (9004100-0160)	O-ring	1
	J0020	08-14		395822 (9007315-0603)	Screw	1
	DS	G0010	08-14		149026	Housing, DIN flange with speed sensor port
G0020		08-14		519022	Lip seal	1
G0030		08-14		392423	Retaining ring	1
G0040		08-14		11007677	Pin	2
G0050		08-14		11001378	Shaft locating plug assembly	1
G0050A		08-14		039297 (9004201-1200)	O-ring	1
G0060		08-14		664524 (9005110-9000)	Plug assembly	2
G0060		08-14		001156 (9004201-7500)	O-ring	2
G0070		08-14		149033	Gasket	1

FLANGE/HOUSING - 160CC

Order Code	Item	Date Begin	Date End	Part Number	Part Name	Qty. per Model/Kit	
DN	G0010	11-18		11162275	Housing, DIN flange with speed sensor port	1	
	G0020	11-18		519022	Lip seal	1	
	G0030	11-18		392423	Retaining ring	1	
	G0040	11-18		11007677	Pin	2	
	G0050	11-18		11063948	Shaft locating plug assembly	1	
	G0050A	11-18		001123 (9004201-2500)	O-ring	1	
	G0060	11-18		664524 (9005110-9000)	Plug assembly	2	
	G0070	11-18		11063312	Gasket	1	
	J0010	11-18		11013290	PPU plug assembly	1	
	J0010A	11-18		018499 (9004100-0160)	O-ring	1	
	J0020	11-18		395822 (9007315-0603)	Screw	1	
	DS	G0010	11-18		11061111	Housing, DIN flange with speed sensor port	1
		G0020	11-18		519022	Lip seal	1
G0030		11-18		392423	Retaining ring	1	
G0040		11-18		11007677	Pin	2	
G0050		11-18		11063948	Shaft locating plug assembly	1	
G0050A		11-18		001123 (9004201-2500)	O-ring	1	
G0060		11-18		664524 (9005110-9000)	Plug assembly	2	
G0070		11-18		11063312	Gasket	1	

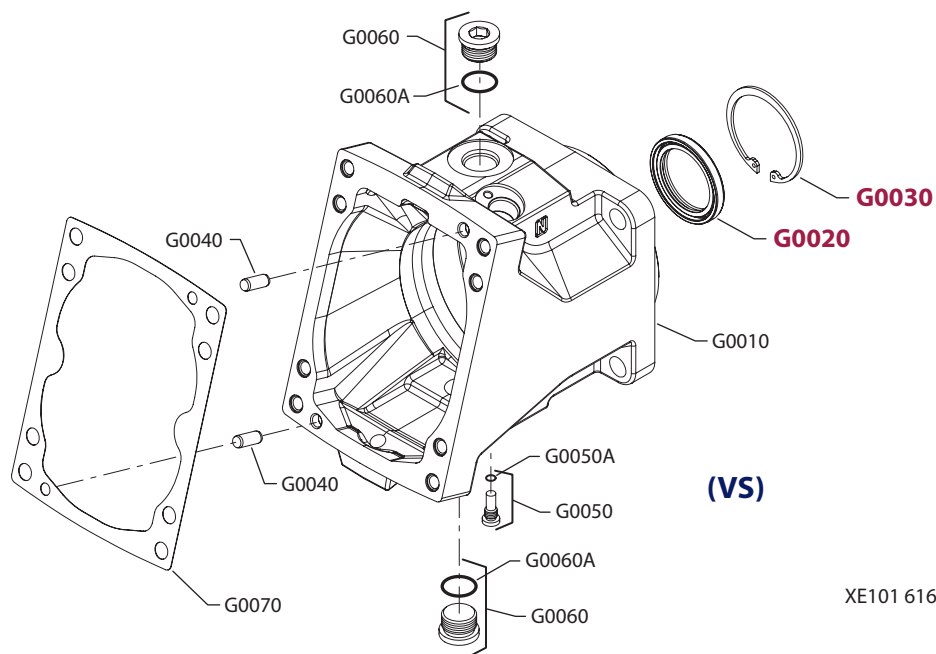
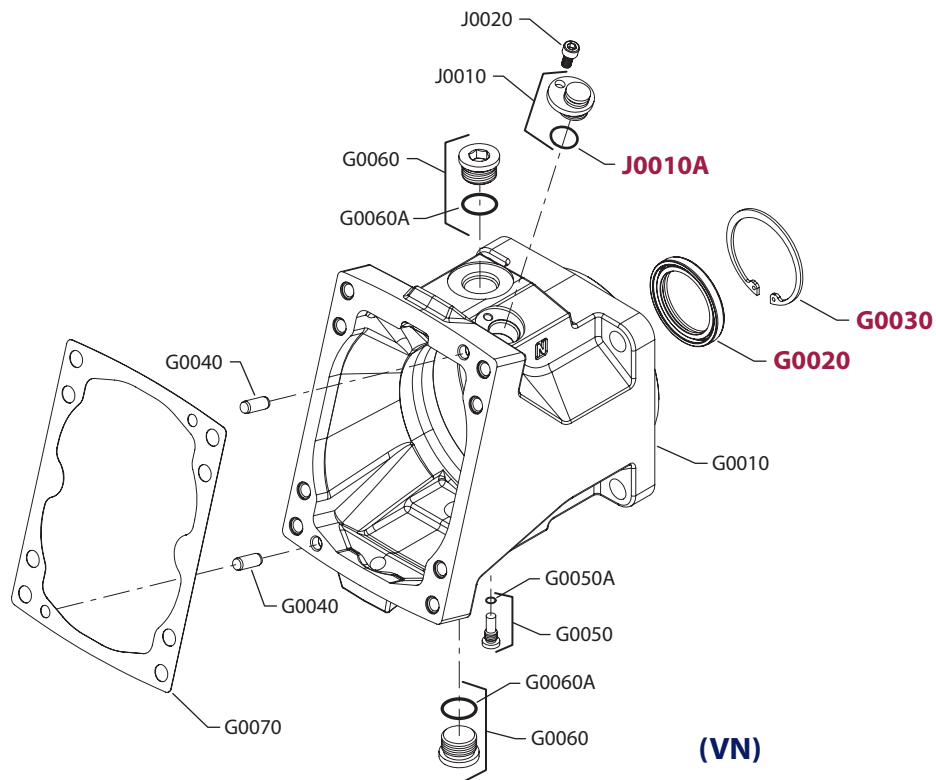

Parts
Housing - DN, DS
FLANGE/HOUSING - 210CC

Order Code	Item	Date Begin	Date End	Part Number	Part Name	Qty. per Model/Kit
DN	G0010	15-49		11151611	Housing, SDIN flange with speed sensor port	1
	G0020	15-49		519022	Lip seal	1
	G0030	15-49		392423	Retaining ring	1
	G0040	15-49		11007677	Pin	2
	G0050	15-49		11063948	Shaft locating plug assembly	1
	G0060	15-49		320002 (9005110-9200)	Plug assembly	1
	G0061	15-49		320002 (9005110-9200)	Plug assembly	1
	G0070	15-49		11150696	Gasket	1
	J0010	15-49		11013290	PPU plug assembly	1
	J0020	15-49		395822 (9007315-0603)	Screw	1
	J0040	15-49		018499 (9004100-0160)	O-ring	1
	QG050	15-49		001123 (9004201-2500)	O-ring	1
	DS	G0010	15-49		11151611	Housing, DIN flange with speed sensor port
G0020		15-49		519022	Lip seal	1
G0030		15-49		392423	Retaining ring	1
G0040		15-49		11007677	Pin	2
G0050		15-49		11063948	Shaft locating plug assembly	1
G0060		15-49		320002 (9005110-9200)	Plug assembly	1
G0060		15-49		320002 (9005110-9200)	Plug assembly	2
G0070		15-49		11150696	Gasket	1
QG050		15-49		001123 (9004201-2500)	O-ring	1



Parts

Housing - VN, VS



XE101 616E


Parts
Housing - VN, VS
FLANGE/HOUSING - 60CC

Order Code	Item	Date Begin	Date End	Part Number	Part Name	Qty. per Model/Kit
VN	G0010	09-31		11006473	Housing, SAE flange with speed sensor port	1
	G0020	09-31		519021	Lip seal	1
	G0030	09-31		915280	Retaining ring	1
	G0040	09-31		11007677	Pin	2
	G0050	09-31		11001378	Shaft locating plug assembly	1
	G0050A	09-31		039297 (9004201-1200)	O-ring	1
	G0060	09-31		315325 (9005110-8700)	Plug assembly	2
	G0060A	09-31		001149 (9004201-6200)	O-ring	2
	G0070	09-31		11007447	Gasket	1
	J0010	09-31		11013290	PPU plug assembly	1
	J0010A	09-31		018499 (9004100-0160)	O-ring	1
	J0020	09-31		395822 (9007315-0603)	Screw	1
VS	G0010	09-31		11006473	Housing, SAE flange with speed sensor port	1
	G0020	09-31		519021	Lip seal	1
	G0030	09-31		915280	Retaining ring	1
	G0040	09-31		11007677	Pin	2
	G0050	09-31		11001378	Shaft locating plug assembly	1
	G0050A	09-31		039297 (9004201-1200)	O-ring	1
	G0060	09-31		315325 (9005110-8700)	Plug assembly	2
	G0060A	09-31		001149 (9004201-6200)	O-ring	2
	G0070	09-31		11007447	Gasket	1

FLANGE/HOUSING - 80CC

Order Code	Item	Date Begin	Date End	Part Number	Part Name	Qty. per Model/Kit
VN	G0010	08-14		11002766	Housing, SAE flange with speed sensor port	1
	G0020	08-14		519021	Lip seal	1
	G0030	08-14		915280	Retaining ring	1
	G0040	08-14		11007677	Pin	2
	G0050	08-14		11001378	Shaft locating plug assembly	1
	G0050A	08-14		039297 (9004201-1200)	O-ring	1
	G0060	08-14		315325 (9005110-8700)	Plug assembly	2
	G0060A	08-14		001149 (9004201-6200)	O-ring	2
	G0070	08-14		11004635	Gasket	1
	J0010	08-14		11013290	PPU plug assembly	1
	J0010A	08-14		018499 (9004100-0160)	O-ring	1
	J0020	08-14		395822 (9007315-0603)	Screw	1
VS	G0010	08-14		11002766	Housing, SAE flange with speed sensor port	1
	G0020	08-14		519021	Lip seal	1
	G0030	08-14		915280	Retaining ring	1
	G0040	08-14		11007677	Pin	2
	G0050	08-14		11001378	Shaft locating plug assembly	1
	G0050A	08-14		039297 (9004201-1200)	O-ring	1
	G0060	08-14		315325 (9005110-8700)	Plug assembly	2
	G0060A	08-14		001149 (9004201-6200)	O-ring	2
	G0070	08-14		11004635	Gasket	1


Parts
Housing - VN, VS
FLANGE/HOUSING - 110CC

Order Code	Item	Date Begin	Date End	Part Number	Part Name	Qty. per Model/Kit
VN	G0010	08-14		149024	Housing, SAE flange with speed sensor port	1
	G0020	08-14		519022	Lip seal	1
	G0030	08-14		392423	Retaining ring	1
	G0040	08-14		11007677	Pin	2
	G0050	08-14		11001378	Shaft locating plug assembly	1
	G0050A	08-14		039297 (9004201-1200)	O-ring	1
	G0060	08-14		664524 (9005110-9000)	Plug assembly	2
	G0060	08-14		001156 (9004201-7500)	O-ring	2
	G0070	08-14		149033	Gasket	1
	J0010	08-14		11013290	PPU plug assembly	1
	J0010A	08-14		018499 (9004100-0160)	O-ring	1
	J0020	08-14		395822 (9007315-0603)	Screw	1
	VS	G0010	08-14		149024	Housing, SAE flange with speed sensor port
G0020		08-14		519022	Lip seal	1
G0030		08-14		392423	Retaining ring	1
G0040		08-14		11007677	Pin	2
G0050		08-14		11001378	Shaft locating plug assembly	1
G0050A		08-14		039297 (9004201-1200)	O-ring	1
G0060		08-14		664524 (9005110-9000)	Plug assembly	2
G0060		08-14		001156 (9004201-7500)	O-ring	2
G0070		08-14		149033	Gasket	1

FLANGE/HOUSING - 160

Order Code	Item	Date Begin	Date End	Part Number	Part Name	Qty. per Model/Kit	
VN	G0010	11-18		11061156	Housing, SAE flange with speed sensor port	1	
	G0020	11-18		519022	Lip seal	1	
	G0030	11-18		392423	Retaining ring	1	
	G0040	11-18		11007677	Pin	2	
	G0050	11-18		11063948	Shaft locating plug assembly	1	
	G0050A	11-18		001123 (9004201-2500)	O-ring	1	
	G0060	11-18		664524 (9005110-9000)	Plug assembly	2	
	G0070	11-18		11063312	Gasket	1	
	J0010	11-18		11013290	PPU plug assembly	1	
	J0010A	11-18		018499 (9004100-0160)	O-ring	1	
	J0020	11-18		395822 (9007315-0603)	Screw	1	
	VS	G0010	11-18		11061156	Housing, SAE flange with speed sensor port	1
		G0020	11-18		519022	Lip seal	1
G0030		11-18		392423	Retaining ring	1	
G0040		11-18		11007677	Pin	2	
G0050		11-18		11063948	Shaft locating plug assembly	1	
G0050A		11-18		001123 (9004201-2500)	O-ring	1	
G0060		11-18		664524 (9005110-9000)	Plug assembly	2	
G0070		11-18		11063312	Gasket	1	


Parts
Housing - VN, VS
FLANGE/HOUSING - 210

Order Code	Item	Date Begin	Date End	Part Number	Part Name	Qty. per Model/Kit
VN	G0010	15-49		11150692	Housing, SAE flange with speed sensor port	1
	G0020	15-49		519022	Lip seal	1
	G0030	15-49		392423	Retaining ring	1
	G0040	15-49		11007677	Pin	2
	G0050	15-49		11063948	Shaft locating plug assembly	1
	G0060	15-49		320002 (9005110-9200)	Plug assembly	1
	G0061	15-49		320002 (9005110-9200)	Plug assembly	1
	G0070	15-49		11150696	Gasket	1
	J0010	15-49		11013290	PPU plug assembly	1
	J0020	15-49		395822 (9007315-0603)	Screw, M6 x 12	1
	J0041	15-49		018499 (9004100-0160)	O-ring	1
	QG050	15-49		001123 (9004201-2500)	O-ring	1

Order Code	Item	Date Begin	Date End	Part Number	Part Name	Qty. per Model/Kit
VS	G0010	15-49		11150692	Housing, SAE flange with speed sensor port	1
	G0020	15-49		519022	Lip seal	1
	G0030	15-49		392423	Retaining ring	1
	G0040	15-49		11007677	Pin	2
	G0050	15-49		11063948	Shaft locating plug assembly	1
	G0060	15-49		320002 (9005110-9200)	Plug assembly	1
	G0061	15-49		320002 (9005110-9200)	Plug assembly	1
	G0070	15-49		11150696	Gasket	1
	QG050	15-49		001123 (9004201-2500)	O-ring	1



Parts

Housing - VN, VS - 250

FLANGE/HOUSING - 250

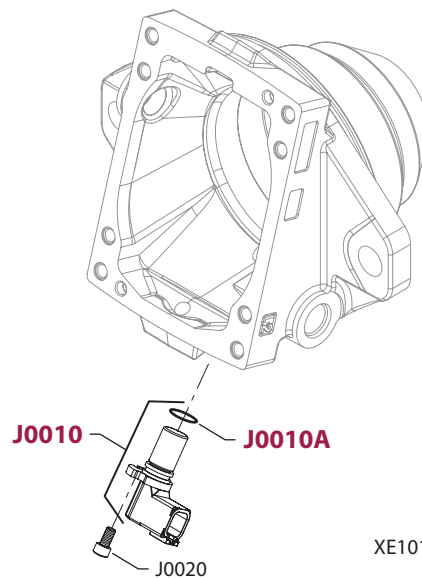
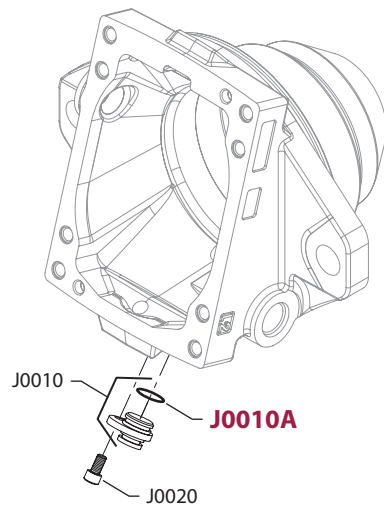
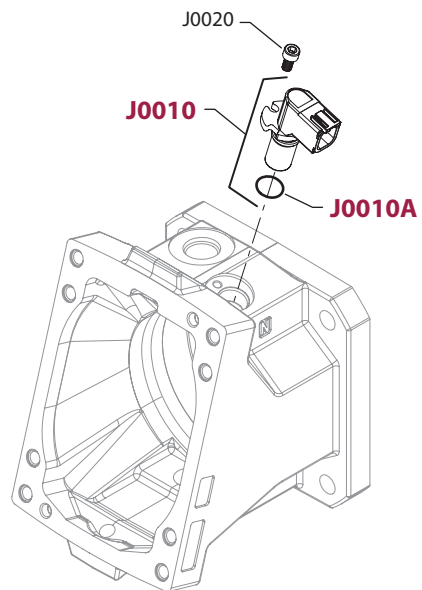
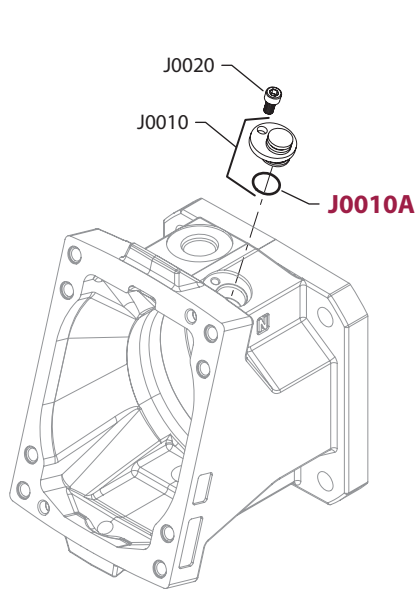
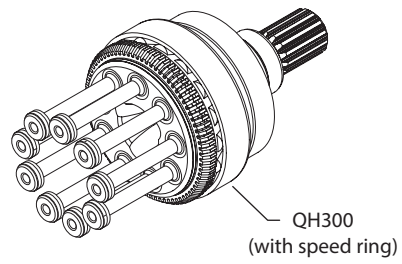
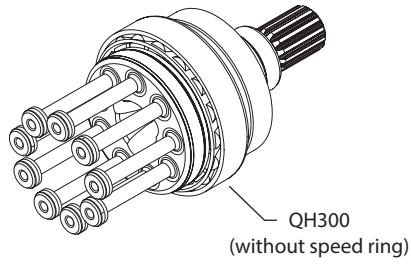
Order Code	Item	Date Begin	Date End	Part Number	Part Name	Qty. per Model/Kit
VN	B70	13-23		320002 (9005110-9200)	Plug assembly	1
	B71	13-23		320002 (9005110-9200)	Plug assembly	1
	G0010	13-23		11089959	Housing, SAE flange with speed sensor port	1
	G0020	13-23		519022	Lip seal	1
	G0030	13-23		392423	Retaining ring	1
	G0040	13-23		11007677	Pin	2
	G0050	13-23		11063948	Shaft locating plug assembly	1
	G0050A	13-23		001123 (9004201-2500)	O-ring	1
	G0070	13-23		11090824	Gasket	1
	J0010	13-23		11013290	PPU plug assembly	1
	J0041	13-23		018499 (9004100-0160)	O-ring	1
	J0020	13-23		395822 (9007315-0603)	Screw	1

Order Code	Item	Date Begin	Date End	Part Number	Part Name	Qty. per Model/Kit
VS	B70	13-23		320002 (9005110-9200)	Plug assembly	1
	B71	13-23		320002 (9005110-9200)	Plug assembly	1
	G0010	13-23		11089959	Housing, SAE flange with speed sensor port	1
	G0020	13-23		519022	Lip seal	1
	G0030	13-23		392423	Retaining ring	1
	G0040	13-23		11007677	Pin	2
	G0050	13-23		11063948	Shaft locating plug assembly	1
	G0050A	13-23		001123 (9004201-2500)	O-ring	1
	G0070	13-23		11090824	Gasket	1



Parts

Shaft



XE101 617E



Parts

Shaft

SHAFT - 60CC

Order Code	Item	Date Begin	Date End	Part Number	Part Name	Qty. per Model/Kit
AN	QH300	09-31		11050523	Shaft assembly, 14 tooth, 12/24 pitch	1
AS	QH300	09-31		11050522	Shaft assembly, 14 tooth, 12/24 pitch, speed ring	1
BN	QH300	13-29		11120999	Shaft assembly, 21 tooth, 13/32 pitch	1
BS	QH300	13-29		11120998	Shaft assembly, 21 tooth, 13/32 pitch, speed ring	1
GN	QH300	09-31		11050521	Shaft assembly, 14 tooth, DIN	1
GS	QH300	09-31		11050520	Shaft assembly, 14 tooth, DIN, speed ring	1

SHAFT - 80CC

Order Code	Item	Date Begin	Date End	Part Number	Part Name	Qty. per Model/Kit
AN	QH300	08-14		11050519	Shaft assembly, 14 tooth, 12/24 pitch	1
AS	QH300	08-14		11050518	Shaft assembly, 14 tooth, 12/24 pitch, speed ring	1
BN	QH300	13-13		11117455	Shaft assembly, 21 tooth, 13/32 pitch	1
BS	QH300	13-13		11117454	Shaft assembly, 21 tooth, 13/32 pitch, speed ring	1
CN	QH300	13-29		11121851	Shaft assembly, 23 tooth, 13/32 pitch	1
CS	QH300	13-29		11121863	Shaft assembly, 23 tooth, 13/32 pitch, speed ring	1
HN	QH300	08-14		11050517	Shaft assembly, 16 tooth, DIN	1
HS	QH300	08-14		11050516	Shaft assembly, 16 tooth, DIN, speed ring	1
JN	QH300	08-14		11050514	Shaft assembly, 18 tooth, DIN	1
JS	QH300	08-14		11050513	Shaft assembly, 18 tooth, DIN, speed ring	1



Parts

Shaft

SHAFT - 110CC

Order Code	Item	Date Begin	Date End	Part Number	Part Name	Qty. per Model/Kit
DN	QH300	08-14		11050512	Shaft assembly, 27 tooth, 16/32 pitch	1
DS	QH300	08-14		11050501	Shaft assembly, 27 tooth, 16/32 pitch, speed ring	1
EN	QH300	08-14		11050500	Shaft assembly, 13 tooth, 8/12 pitch	1
ES	QH300	08-14		11050499	Shaft assembly, 13 tooth, 8/12 pitch, speed ring	1
JN	QH300	08-14		11050495	Shaft assembly, 18 tooth, DIN	1
JS	QH300	08-14		11050494	Shaft assembly, 18 tooth, DIN, speed ring	1
KN	QH300	08-14		11050493	Shaft assembly, 21 tooth, DIN	1
KS	QH300	08-14		11050491	Shaft assembly, 21 tooth, DIN, speed ring	1

SHAFT - 160

Order Code	Item	Date Begin	Date End	Part Number	Part Name	Qty. per Model/Kit
DN	QH300	11-18		11088312	Shaft assembly, 27 tooth, 16/32 pitch	1
DS	QH300	11-18		11088315	Shaft assembly, 27 tooth, 16/32 pitch, speed ring	1
EN	QH300	11-18		11054445	Shaft assembly, 13 tooth, 8/12 pitch	1
ES	QH300	11-18		11054407	Shaft assembly, 13 tooth, 8/12 pitch, speed ring	1
FN	QH300	11-18		11054488	Shaft assembly, 15 tooth, 8/16 pitch	1
FS	QH300	11-18		11054424	Shaft assembly, 15 tooth, 8/16 pitch, speed ring	1
KN	QH300	11-18		11054483	Shaft assembly, 21 tooth, DIN	1
KS	QH300	11-18		11054411	Shaft assembly, 21 tooth, DIN, speed ring	1
LN	QH300	11-18		11054491	Shaft assembly, 24 tooth, DIN	1
LS	QH300	11-18		11054427	Shaft assembly, 24 tooth, DIN, speed ring	1



Parts

Shaft

SHAFT - 210

Order Code	Item	Date Begin	Date End	Part Number	Part Name	Qty. per Model/Kit
DN	QH300	15-49		11154955	Shaft assembly, 27 tooth, 16/32 pitch	1
DS	QH300	15-49		11154956	Shaft assembly, 27 tooth, 16/32 pitch, speed ring	1
FN	QH300	15-49		11154957	Shaft assembly, 15 tooth,	1
FS	QH300	15-49		11154958	Shaft assembly, 15 tooth, speed ring	1
LN	QH300	15-49		11154959	Shaft assembly, 24 tooth, DIN	1
LS	QH300	15-49		11154960	Shaft assembly, 24 tooth, DIN, speed ring	1

SHAFT - 250

Order Code	Item	Date Begin	Date End	Part Number	Part Name	Qty. per Model/Kit
DN	QH300	13-23		11094973	Shaft assembly, 27 tooth, 16/32 pitch	1
DS	QH300	13-23		11094970	Shaft assembly, 27 tooth, 16/32 pitch, speed ring	1
FN	QH300	13-23		11086222	Shaft assembly, 15 tooth, 8/16 pitch	1
FS	QH300	13-23		11086198	Shaft assembly, 15 tooth, 8/16 pitch, speed ring	1



Parts

Speed Sensor

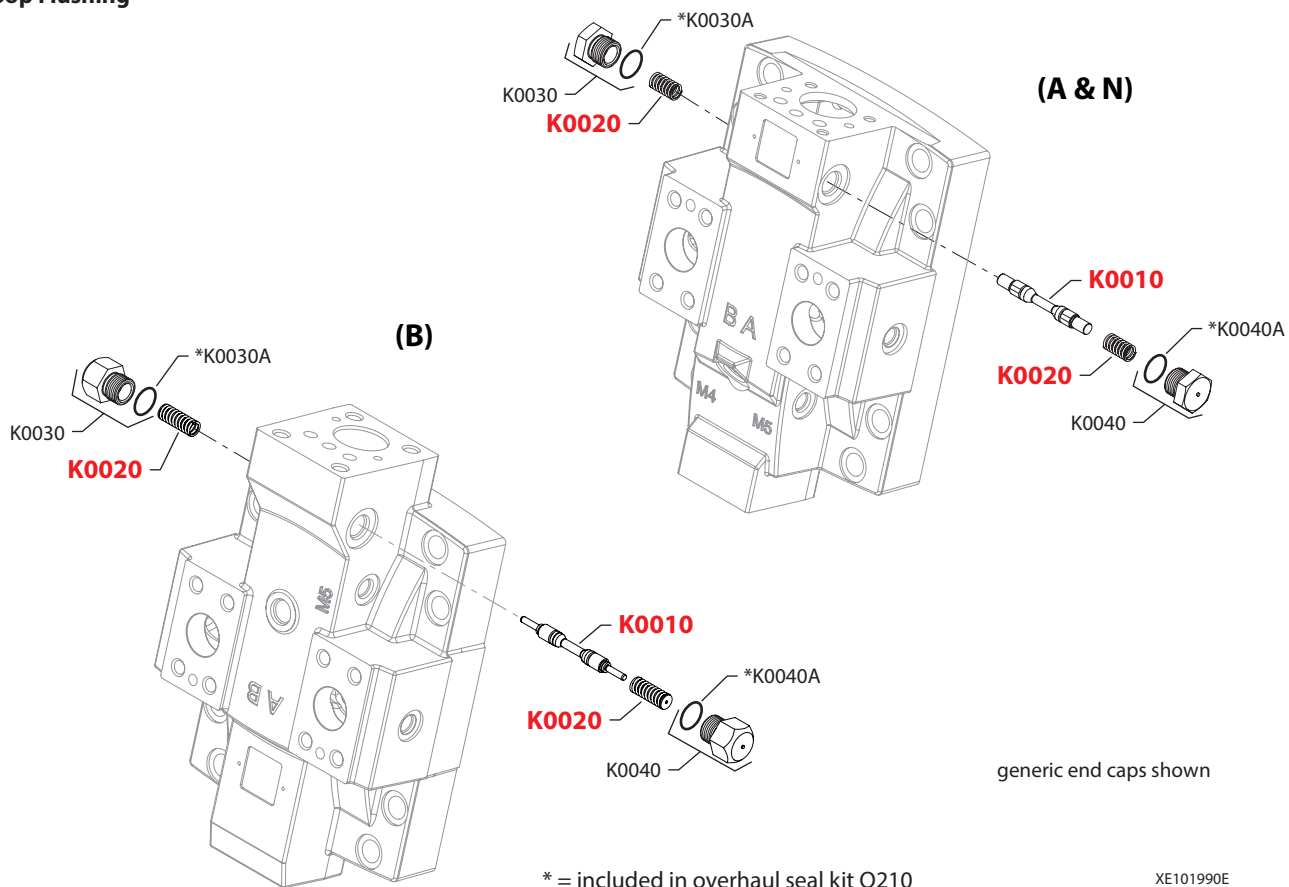
SPEED SENSOR - 60-250

B	J0010	13-23	11102032	Speed sensor - 7-32 Vdc	1
	J0041	13-23	018499 (9004100-0160)	O-ring	1
	J0020	13-23	395822 (9007315-0603)	Screw	1
N			None		
P	J0010	11-18	11013290	Plug assembly	1
	J0010A	11-18	018499 (9004100-0160)	O-ring	1
	J0020	11-18	395822 (9007315-0603)	Screw	1
S	J0010	11-18	149055	Speed sensor - 4.5-8 Vdc	1
	J0010A	11-18	018499 (9004100-0160)	O-ring	1
	J0020	11-18	395822 (9007315-0603)	Screw	1



Parts

Loop Flushing





Parts

Loop Flushing

LOOP FLUSHING SHUTTLE SYSTEM

Order Code	Item	Date Begin	Date End	Part Number	Part Name	Qty. per Model/Kit
A	K0010	11-18		11031106	Spool	1
	K0020	11-18		149037	Spring	2
	K0030	11-18		11012908	Plug assembly	1
	K0030A	11-18		149052	O-ring	1
	K0040	11-18		11101035	Plug assembly	1
	K0040A	11-18		149052	O-ring	1
	B	K0010	13-23		11101037	Spool
K0020		13-23		11101439	Plug/spring assembly	2
K0030		13-23		11101035	Plug assembly	1
K0030A		13-23		149052	O-ring	1
K0040		13-23		11101035	Plug assembly	1
K0040A		13-23		149052	O-ring	1
N		K0010	11-18		11031106	Spool
	K0020	11-18		149037	Spring	2
	K0030	11-18		11012908	Plug assembly	1
	K0030A	11-18		149052	O-ring	1
	K0040	13-23		11101035	Plug assembly	1
	K0040A	13-23		149052	O-ring	1



Parts

Loop Flushing

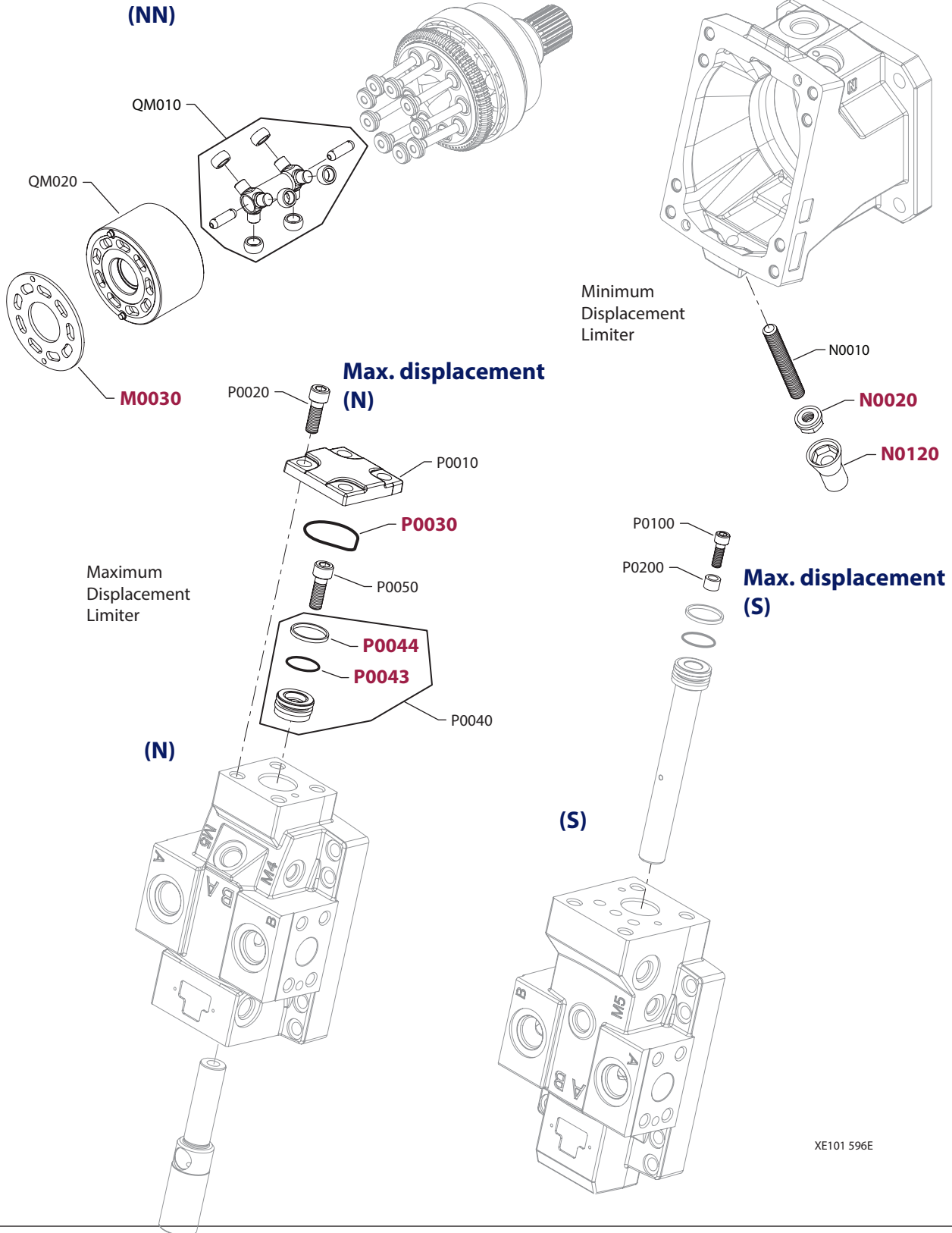
LOOP FLUSHING RELIEF VALVE

05	L0100	11-18	11008698	Loop flushing relief valve, 5L/min	1
	L0150	11-18	149052	O-ring	1
10	L0100	11-18	11003448	Loop flushing relief valve, 10L/min	1
	L0150	11-18	149052	O-ring	1
15	L0100	11-18	11003450	Loop flushing relief valve, 15L/min	1
	L0150	11-18	149052	O-ring	1
20	L0100	11-18	11001676	Loop flushing relief valve, 20L/min	1
	L0150	11-18	149052	O-ring	1
30	L0100	11-18	11008700	Loop flushing relief valve, 30L/min	1
	L0150	11-18	149052	O-ring	1
40	L0100	11-18	11008701	Loop flushing relief valve, 40L/min	1
	L0150	11-18	149052	O-ring	1
50	L0100	11-18	11001697	Loop flushing relief valve, 50L/min	1
	L0150	11-18	149052	O-ring	1
NN	L0100	11-18	11027278	Plug assembly	1
	L0150	11-18	149052	O-ring	1



Parts

Special Hardware



XE101 596E


Parts
Special Hardware
SPECIAL HARDWARE/COMMON PARTS - 60CC

Order Code	Item	Date Begin	Date End	Part Number	Part Name	Qty. per Model/Kit
NN	QM010	09-31		11051897	Synch shaft assembly	1
	QM020	09-31		11051891	Cylinder block assembly	1
	M0030	09-31		515366	Bearing plate	1

MINIMUM DISPLACEMENT

000-019	N0010	09-31		11012777	Set screw, 0-19cc, M12 x 65mm	1
	N0020	09-31		076042	Seal nut	1
	N0120	09-31		770842	Plastic cap, green	1
020-040	N0010	09-31		076109	Set screw, 20-40cc, M12 x 80mm	1
	N0020	09-31		076042	Seal nut	1
	N0120	09-31		770842	Plastic cap, green	1

MAXIMUM DISPLACEMENT

N	P0010	08-14		11001110	Servo piston cover	1
	P0020	08-14		737866 (9007314-1207)	Screw	4
	P0030	08-14		11050757	O-ring	1
	P0040	08-14		11043408	Servo piston assembly	1
	P0043	08-14		504207	O-ring	1
	P0044	08-14		508134	Piston ring	1
	P0050	08-14		293225	Screw, M10 x 30	1
Q	P0100	14-27		506969	Screw, M8 x 25	1
	P0200	14-27		11064423	Spacer, 8.5mm	1
R	P0100	14-27		506969	Screw, M8 x 25	1
	P0200	14-27		11101077	Spacer, 8.5mm	1
S	P0100	08-14		506969	Screw, M8 x 25	1
	P0200	08-14		11068564	Spacer, 8.5mm	1
T	P0100	14-27		506969	Screw, M8 x 25	1
	P0200	14-27		11148125	Spacer, 14.16mm	1
U	P0100	10-30		710855	Screw, M8 x 25	1
	P0200	10-30		11086826	Spacer, 8.5mm	1
V	P0100	14-27		149064	Screw, M8 x 25	1
	P0200	14-27		11001123	Spacer, 8.5mm	1
Z				no parts		


SPECIAL HARDWARE/COMMON PARTS - 80CC

Order Code	Item	Date Begin	Date End	Part Number	Part Name	Qty. per Model/Kit
NN	QM010	08-14		11051898	Synch shaft assembly	1
	QM020	08-14		11051896	Cylinder block assembly	1
	M0030	08-14		515367	Bearing plate	1

MINIMUM DISPLACEMENT

000-019	N0010	08-14			Set screw, 0-31cc, M12 x 70mm	1
	N0020	08-14			Seal nut	1
	N0120	08-14			Plastic cap, green	1
020-035	N0010	08-14			Set screw, 0-31cc, M12 x 70mm	1
	N0020	08-14			Seal nut	1
	N0120	08-14			Plastic cap, green	1
036-054	N0010	08-14			Set screw, 32-54cc, M12 x 90mm	1
	N0020	08-14			Seal nut	1
	N0120	08-14			Plastic cap, green	1

MAXIMUM DISPLACEMENT

N	P0010	08-14		11001110	Servo piston cover	1
	P0020	08-14		737866 (9007314-1207)	Screw	4
	P0030	08-14		11050757	O-ring	1
	P0040	08-14		11004626	Servo piston assembly	1
	P0043	08-14		504208	O-ring	1
	P0044	08-14		508136	Piston ring	1
	P0050	08-14		293225	Screw	1
Q	P0100	14-27		506969	Screw, M8 x 25	1
	P0200	14-27		11064423	Spacer, 8.5mm	1
R	P0100	14-27		506969	Screw, M8 x 25	1
	P0200	14-27		781948	Spacer, 8.5mm	1
S	P0100	08-14		506969	Screw, M8 x 25	1
	P0200	08-14		11171588	Spacer, 8.5mm	1
Z				no parts		


Parts
Special Hardware
SPECIAL HARDWARE/COMMON PARTS - 110CC

Order Code	Item	Date Begin	Date End	Part Number	Part Name	Qty. per Model/Kit
NN	QM010	08-14		11051899	Synch shaft assembly	1
	QM020	08-14		11051895	Cylinder block assembly	1
	M0030	08-14		515368	Bearing plate	1

MINIMUM DISPLACEMENT

000-031	N0010	08-14		750646	Set screw, 0-31cc, M12 x 75mm	1
	N0020	08-14		076042	Seal nut	1
	N0120	08-14		770842	Plastic cap, green	1
032-060	N0010	08-14		749564	Set screw, 32-60cc, M12 x 90mm	1
	N0020	08-14		076042	Seal nut	1
	N0120	08-14		770842	Plastic cap, green	1
061-074	N0010	08-14		750653	Set screw, 61-74cc, M12 x 100mm	1
	N0020	08-14		076042	Seal nut	1
	N0120	08-14		770842	Plastic cap, green	1

MAXIMUM DISPLACEMENT

E	P0010	08-14		11001110	Servo piston cover	1
	P0020	08-14		737866 (9007314-1207)	Screw	4
	P0030	08-14		11050757	O-ring	1
	P0040	08-14		11169370	Servo piston assembly	1
	P0043	08-14		315242 (9004100-1210)	O-ring	1
	P0044	08-14		648345	Piston ring	1
	P0050	08-14		737866 (9007314-1207)	Screw	1
N	P0010	08-14		11001110	Servo piston cover	1
	P0020	08-14		737866 (9007314-1207)	Screw	4
	P0030	08-14		11050757	O-ring	1
	P0040	08-14		11001377	Servo piston assembly	1
	P0043	08-14		315242 (9004100-1210)	O-ring	1
	P0044	08-14		648345	Piston ring	1
	P0050	08-14		737866 (9007314-1207)	Screw	1
R	P0100	14-27		506969	Screw, M8 x 25	1
	P0200	14-27		11150588	Spacer, 8.5mm	1
S	P0100	08-14		506969	Screw, M8 x 25	1
	P0200	08-14		11043938	Spacer, 10.8 mm	1
T	P0100	14-27		506969	Screw, M8 x 25	1
	P0200	14-27		11148125	Spacer, 8.5mm	1
U	P0100	14-27		710855	Screw, M8 x 25	1
	P0200	14-27		11087239	Spacer, 8.5mm	1
Z				none		


Parts
SPECIAL HARDWARE/COMMON PARTS - 160CC

Order Code	Item	Date Begin	Date End	Part Number	Part Name	Qty. per Model/Kit
NN	QM010	11-18		11054239	Synch shaft assembly	1
	QM020	11-18		11054361	Cylinder block assembly	1
	M0030	11-18		515369	Bearing plate	1

MINIMUM DISPLACEMENT

000-043	N0010	11-18		750646	Set screw, 0-43cc, M12 x 75mm	1
	N0020	11-18		076042	Seal nut	1
	N0120	11-18		770842	Plastic cap, green	1
044-074	N0010	11-18		749564	Set screw, 44-74cc, M12 x 90mm	1
	N0020	11-18		076042	Seal nut	1
	N0120	11-18		770842	Plastic cap, green	1
075-108	N0010	11-18		750653	Set screw, 75-108cc, M12 x 100mm	1
	N0020	11-18		076042	Seal nut	1
	N0120	11-18		770842	Plastic cap, green	1

MAXIMUM DISPLACEMENT

B	P0010	11-18		11001110	Servo piston cover	1
	P0020	11-18		737866 (9007314-1207)	Screw	4
	P0030	11-18		11050757	O-ring	1
	P0040	11-18		11105018	Servo piston assembly	1
	P0043	11-18		11063016	O-ring	1
	P0044	11-18		11063013	Piston ring	1
	P0050	11-18		11069403	Screw	1
N	P0010	11-18		11001110	Servo piston cover	1
	P0020	11-18		737866 (9007314-1207)	Screw	4
	P0030	11-18		11050757	O-ring	1
	P0040	11-18		11062354	Servo piston assembly	1
	P0043	11-18		11063016	O-ring	1
	P0044	11-18		11063013	Piston ring	1
	P0050	11-18		11069403	Screw	1
Q	P0100	14-27		293225	Screw, M10 x 30	1
R	P0100	14-27		293225	Screw, M10 x 30	1
	P0200	14-27		653980	Spacer, 10.5mm	1
S	P0100	14-27		293225	Screw, M10 x 30	1
	P0200	14-27		788620	Spacer, 10.5mm	1
T	P0100	14-27		293225	Screw, M10 x 30	1
	P0200	14-27		674184	Spacer, 10.5mm	1
U	P0100	14-27		732982	Screw, M10 x 30	1
	P0200	14-27		11171590	Spacer, 10.5mm	1
Z				none		


Parts
Special Hardware
SPECIAL HARDWARE/COMMON PARTS - 210CC

Order Code	Item	Date Begin	Date End	Part Number	Part Name	Qty. per Model/Kit
NN	QM010	15-49		11155000	Synch shaft assembly	1
	QM020	15-49		11154997	Cylinder block assembly	1
	M0030	15-49		11151730	Bearing plate	1

MINIMUM DISPLACEMENT

000-041	N0010	15-49		750646	Set screw, 0-41cc, M12 x 75mm	1
	N0020	15-49		076042	Seal nut	1
	Q1200	15-49		770842	Plastic cap, green	1
042-090	N0010	15-49		749564	Set screw, 42-90cc, M12 x 90mm	1
	N0020	15-49		076042	Seal nut	1
	Q1200	15-49		770842	Plastic cap, green	1
091-142	N0010	15-49		11152460	Set screw, 91-142cc, M12 x 105mm	1
	N0020	15-49		076042	Seal nut	1
	N0120	15-49		770842	Plastic cap, green	1
M00	N1050	15-49		11161812	Seal plug assembly, M12	1
	QN070	15-49		11001952	O-ring	1

MAXIMUM DISPLACEMENT

N	P0010	15-49		11001110	Servo piston cover	1
	P0020	15-49		737866 (9007314-1207)	Screw, M12 x 30	4
	P0030	15-49		11050757	O-ring	1
	P0040	15-49		11062354	Servo piston assembly	1
	P0043	15-49		11063016	O-ring	1
	P0044	15-49		11063013	Piston ring	1
	P0050	15-49		11069403	Screw, M14 x 35	1
Q	P0100	15-49		293225	Screw, M10 x 30	1
Z				no parts		



Parts

Special Hardware

SPECIAL HARDWARE/COMMON PARTS - 250CC

Order Code	Item	Date Begin	Date End	Part Number	Part Name	Qty. per Model/Kit
NN	QM010	13-23		11086121	Synch shaft assembly	1
	QM020	13-23		11086152	Cylinder block assembly	1
	M0030	13-23		515370	Bearing plate	1

MINIMUM DISPLACEMENT

000-052	N0010	13-23		750646	Set screw, 0-52cc, M12 x 75mm	1
	N0020	13-23		076042	Seal nut	1
	N0120	13-23		770842	Plastic cap, green	1
053-103	N0010	13-23		749564	Set screw, 53-103cc, M12 x 90mm	1
	N0020	13-23		076042	Seal nut	1
	N0120	13-23		770842	Plastic cap, green	1
104-169	N0010	13-23		11094518	Set screw, 104-169cc, M12 x 40mm	1
	N0020	13-23		076042	Seal nut	1
	N0120	13-23		770842	Plastic cap, green	1


Parts
Special Hardware
MAXIMUM DISPLACEMENT

C	P0010	13-23	11001110	Servo piston cover	1
	P0020	13-23	737866 (9007314-1207)	Screw	4
	P0030	13-23	11050757	O-ring	1
	P0040	13-23	11132145	Servo piston assembly	1
	P0043	13-23	11063016	O-ring	1
	P0044	13-23	11063013	Piston ring	1
	P0050	13-23	11069403	Screw	1
E	P0010	13-23	11001110	Servo piston cover	1
	P0020	13-23	737866 (9007314-1207)	Screw	4
	P0030	13-23	11050757	O-ring	1
	P0040	13-23	11125475	Servo piston assembly	1
	P0043	13-23	11063016	O-ring	1
	P0044	13-23	11063013	Piston ring	1
	P0050	13-23	11069403	Screw	1
N	P0010	13-23	11001110	Servo piston cover	1
	P0020	13-23	737866 (9007314-1207)	Screw	4
	P0030	13-23	11050757	O-ring	1
	P0040	13-23	11062354	Servo piston assembly	1
	P0043	13-23	11063016	O-ring	1
	P0044	13-23	11063013	Piston ring	1
	P0050	13-23	11069403	Screw	1
Q	P0100	14-27	293225	Screw, M10 x 30	1
R	P0100	14-27	293225	Screw, M10 x 30	1
	P0200	14-27	672071	Spacer, 10.5mm	1
S	P0100	14-27	293225	Screw, M10 x 30	1
	P0200	14-27	318683	Spacer, 10.5mm	1
T	P0100	14-27	727586	Screw, M10 x 35	1
	P0200	14-27	643098	Spacer, 10.5mm	1
Z			none		


Parts
Overhaul Seal Kit
OVERHAUL SEAL KIT - 60CC

Order Code	Item	Date Begin	Date End	Part Number	Part Name	Qty. per Model/Kit
		09-31		11044525	Overhaul seal kit, H1B080	1
	B0034	09-31		085043 (9004201-3700)	O-ring, 11.89 x 1.98, nitrile	2
	B0035	09-31		11001952	O-ring, 18.00 x 1.50, nitrile	1
	C0050A	09-31		085043 (9004201-3700)	O-ring, 11.89 x 1.98, nitrile	2
	C0060A	09-31		039297 (9004201-1200)	O-ring, 6.07 x 1.63, nitrile	9
	C0090A	09-31		085043 (9004201-3700)	O-ring, 11.89 x 1.98, nitrile	1
	C0130	09-31		149040	Control seal	1
	C0130	09-31		11016168	Control seal, 2-position	1
	F0060	09-31		11008915	Setting lug pin	1
	F0100	09-31		085043 (9004201-3700)	O-ring, 11.89 x 1.98, nitrile	2
	F0150A	09-31		001149 (9004201-6200)	O-ring, 19.18 x 2.46, nitrile	2
	F0160A	09-31		085043 (9004201-3700)	O-ring, 11.89 x 1.98, nitrile	2
	G0020	09-31		519021	Lip seal	1
	G0050A	09-31		039297 (9004201-1200)	O-ring, 6.07 x 1.63, nitrile	1
	G0055A	09-31		001123 (9004201-2500)	O-ring, 8.92 x 1.83, nitrile	1
	G0060A	09-31		001149 (9004201-6200)	O-ring, 23.47 x 2.95, nitrile	2
	G0070	09-31		11007447	Gasket	1
	J0010A	09-31		018499 (9004100-0160)	O-ring, 15.60 x 1.78, nitrile	1
	K0030A	09-31		149052	O-ring, 15.30 x 2.20, nitrile	2
	L0150	09-31		149052	O-ring, 15.30 x 2.20, nitrile	1
	N0020	09-31		076042	Seal nut	1
	P0030	09-31		11050757	O-ring, 47.00 x 3.00, nitrile	1
	P0043	09-31		504207	O-ring, 20.29 x 2.62, nitrile	1
	P0044	09-31		508134	Piston ring	1


Parts
Overhaul Seal Kit
OVERHAUL SEAL KIT - 80CC

Order Code	Item	Date Begin	Date End	Part Number	Part Name	Qty. per Model/Kit
		08-14		11037062	Overhaul seal kit, H1B080	1
	B0034	08-14		085043 (9004201-3700)	O-ring, 11.89 x 1.98, nitrile	2
	B0035	08-14		11001952	O-ring, 18.00 x 1.50, nitrile	1
	C0050A	08-14		085043 (9004201-3700)	O-ring, 11.89 x 1.98, nitrile	2
	C0060A	08-14		039297 (9004201-1200)	O-ring, 6.07 x 1.63, nitrile	9
	C0090A	08-14		085043 (9004201-3700)	O-ring, 11.89 x 1.98, nitrile	1
	C0130	08-14		149040	Control seal	1
	C0130	08-14		11016168	Control seal, 2-position	1
	F0060	08-14		11008915	Setting lug pin	1
	F0100	08-14		085043 (9004201-3700)	O-ring, 11.89 x 1.98, nitrile	2
	F0150A	08-14		001156 (9004201-7500)	O-ring, 23.47 x 2.95, nitrile	2
	F0160A	08-14		085043 (9004201-3700)	O-ring, 11.89 x 1.98, nitrile	2
	G0020	08-14		519021	Lip seal	1
	G0050A	08-14		039297 (9004201-1200)	O-ring, 6.07 x 1.63, nitrile	1
	G0055A	08-14		001123 (9004201-2500)	O-ring, 8.92 x 1.83, nitrile	1
	G0060A	08-14		001149 (9004201-6200)	O-ring, 23.47 x 2.95, nitrile	2
	G0070	08-14		11004635	Gasket	1
	J0010A	08-14		018499 (9004100-0160)	O-ring, 15.60 x 1.78, nitrile	1
	K0030A	08-14		149052	O-ring, 15.30 x 2.20, nitrile	2
	L0150	08-14		149052	O-ring, 15.30 x 2.20, nitrile	1
	N0020	08-14		076042	Seal nut	1
	P0030	08-14		11050757	O-ring, 47.00 x 3.00, nitrile	1
	P0043	08-14		504208	O-ring, 26.64 x 2.62, nitrile	1
	P0044	08-14		508136	Piston ring	1


Parts
Overhaul Seal Kit
OVERHAUL SEAL KIT - 110CC

Order Code	Item	Date Begin	Date End	Part Number	Part Name	Qty. per Model/Kit
		08-14		11037061	Overhaul seal kit, H1B110	1
B0034		08-14		085043 (9004201-3700)	O-ring, 11.89 x 1.98, nitrile	2
B0035		08-14		11001952	O-ring, 18.00 x 1.50, nitrile	1
C0050A		08-14		085043 (9004201-3700)	O-ring, 11.89 x 1.98, nitrile	2
C0060A		08-14		039297 (9004201-1200)	O-ring, 6.07 x 1.63, nitrile	9
C0090A		08-14		085043 (9004201-3700)	O-ring, 11.89 x 1.98, nitrile	1
C0130		08-14		149040	Control seal	1
C0130		08-14		11016168	Control seal, 2-position	1
F0060		08-14		11008915	Setting lug pin	1
F0100		08-14		085043 (9004201-3700)	O-ring, 11.89 x 1.98, nitrile	2
F0150A		08-14		001156 (9004201-7500)	O-ring, 23.47 x 2.95, nitrile	2
F0160A		08-14		085043 (9004201-3700)	O-ring, 11.89 x 1.98, nitrile	2
G0020		08-14		519022	Lip seal	1
G0050A		08-14		039297 (9004201-1200)	O-ring, 6.07 x 1.63, nitrile	1
G0055A		08-14		001123 (9004201-2500)	O-ring, 8.92 x 1.83, nitrile	1
G0060A		08-14		001156 (9004201-7500)	O-ring, 23.47 x 2.95, nitrile	2
G0070		08-14		149033	Gasket	1
J0010A		08-14		018499 (9004100-0160)	O-ring, 15.60 x 1.78, nitrile	1
K0030A		08-14		149052	O-ring, 15.30 x 2.20, nitrile	2
L0150		08-14		149052	O-ring, 15.30 x 2.20, nitrile	1
N0020		08-14		076042	Seal nut	1
P0030		08-14		11050757	O-ring, 47.00 x 3.00, nitrile	1
P0043		08-14		315242 (9004100-1210)	O-ring, 26.64 x 2.62, nitrile	1
P0044		08-14		648345	Piston ring	1



Parts

Overhaul Seal Kit

OVERHAUL SEAL KIT - 160CC

Order Code	Item	Date Begin	Date End	Part Number	Part Name	Qty. per Model/Kit
		11-18		11072349	Overhaul seal kit, H1B160	1
	B0034	11-18		085043 (9004201-3700)	O-ring, 11.89 x 1.98, nitrile	2
	B0035	11-18		11001952	O-ring, 18.00 x 1.50, nitrile	1
	C0050A	11-18		085043 (9004201-3700)	O-ring, 11.89 x 1.98, nitrile	2
	C0060A	11-18		039297 (9004201-1200)	O-ring, 6.07 x 1.63, nitrile	9
	C0130	11-18		149040	Control seal	1
	C0130	11-18		11016168	Control seal, 2-position	1
	F0060	11-18		11008915	Setting lug pin	1
	F0100	11-18		085043 (9004201-3700)	O-ring, 11.89 x 1.98, nitrile	2
	F0150A	11-18		001156 (9004201-7500)	O-ring, 23.47 x 2.95, nitrile	2
	F0160A	11-18		085043 (9004201-3700)	O-ring, 11.89 x 1.98, nitrile	2
	G0020	11-18		519022	Lip seal	1
	G0050A	11-18		001123 (9004201-2500)	O-ring, 8.92 x 1.83, nitrile	1
	G0055A	11-18		039297 (9004201-1200)	O-ring, 6.07 x 1.63, nitrile	1
	G0060A	11-18		001156 (9004201-7500)	O-ring, 23.47 x 2.95, nitrile	2
	G0070	11-18		11063312	Gasket	1
	J0041	11-18		018499 (9004100-0160)	O-ring, 15.60 x 1.78, nitrile	1
	K0030A	11-18		149052	O-ring, 15.30 x 2.20, nitrile	2
	L0150	11-18		149052	O-ring, 15.30 x 2.20, nitrile	1
	M223	11-18		085043 (9004201-3700)	O-ring, 11.89 x 1.98, nitrile	1
	N0020	11-18		076042	Seal nut	1
	P0030	11-18		11050757	O-ring, 47.00 x 3.00, nitrile	1
	P0043	11-18		11063016	O-ring, 26.64 x 2.62, nitrile	1
	P0044	11-18		11063013	Piston ring	1


Parts
Overhaul Seal Kit
OVERHAUL SEAL KIT - 210CC

Order Code	Item	Date Begin	Date End	Part Number	Part Name	Qty. per Model/Kit
	Q210	15-49		11155222	Overhaul seal kit, H1B210	1
	B0034	15-49		085043 (9004201-3700)	O-ring, 11.89 x 1.98, nitrile	2
	B0035	15-49		11001952	O-ring, 18.00 x 1.50, nitrile	1
	C0050A	15-49		Not sold individually	O-ring, 11.89 x 1.98, nitrile	2
	C0060A	15-49		Not sold individually	O-ring, 6.07 x 1.63, nitrile	9
	C0130	15-49		149040	Control seal	1
	C0130	15-49		11016168	Control seal, 2-position	1
	F0060	15-49		11008915	Setting lug pin	1
	F0100	15-49		Not sold individually	O-ring, 11.89 x 1.98, nitrile	2
	F0150A	15-49		Not sold individually	O-ring, 23.47 x 2.95, nitrile	2
	F0160A	15-49		Not sold individually	O-ring, 11.89 x 1.98, nitrile	2
	G0020	15-49		519022	Lip seal	1
	G0050A	15-49		001123 (9004201-2500)	O-ring, 8.92 x 1.83, nitrile	1
	G0055A	15-49		039297 (9004201-1200)	O-ring, 6.07 x 1.63, nitrile	1
	G0060A	15-49		Not sold individually	O-ring, 23.47 x 2.95, nitrile	2
	G0070	15-49		11150696	Gasket	1
	J0041	15-49		018499 (9004100-0160)	O-ring, 15.60 x 1.78, nitrile	1
	K0030A	15-49		149052	O-ring, 15.30 x 2.20, nitrile	2
	L0150	15-49		149052	O-ring, 15.30 x 2.20, nitrile	1
	M223	15-49		085043 (9004201-3700)	O-ring, 11.89 x 1.98, nitrile	1
	N0020	15-49		076042	Seal nut	1
	P0030	15-49		11050757	O-ring, 47.00 x 3.00, nitrile	1
	P0043	15-49		11063016	O-ring, 26.64 x 2.62, nitrile	1
	P0044	15-49		11063013	Piston ring	1


Parts
Overhaul Seal Kit
OVERHAUL SEAL KIT - 250CC

Order Code	Item	Date Begin	Date End	Part Number	Part Name	Qty. per Model/Kit
	Q210	13-23		11094446	Overhaul seal kit, H1B250	1
	B0034	13-23		085043 (9004201-3700)	O-ring, 11.89 x 1.98, nitrile	2
	B0035	13-23		11001952	O-ring, 18.00 x 1.50, nitrile	1
	C0050A	13-23		not available individually	O-ring, 11.89 x 1.98, nitrile	2
	C0060A	13-23		not available individually	O-ring, 6.07 x 1.63, nitrile	9
	C0130	13-23		149040	Control seal	1
	C0130	13-23		11016168	Control seal, 2-position	1
	F0060	13-23		11008915	Setting lug pin	1
	F0100A	13-23		not available individually	O-ring, 11.89 x 1.98, nitrile	2
	F0150A	13-23		not available individually	O-ring, 23.47 x 2.95, nitrile	2
	F0160A	13-23		not available individually	O-ring, 11.89 x 1.98, nitrile	2
	G0020	13-23		519022	Lip seal	1
	G0050A	13-23		001123 (9004201-2500)	O-ring, 8.92 x 1.83, nitrile	1
	G0055A	13-23		not available individually	O-ring, 6.07 x 1.63, nitrile	1
	G0060A	13-23		not available individually	O-ring, 23.47 x 2.95, nitrile	2
	G0070	13-23		11090824	Gasket	1
	J0041	13-23		018499 (9004100-0160)	O-ring, 15.60 x 1.78, nitrile	1
	K0030A	13-23		149052	O-ring, 15.30 x 2.20, nitrile	1
	K0040A	13-23		149052	O-ring, 15.30 x 2.20, nitrile	1
	L0150	13-23		149052	O-ring, 15.30 x 2.20, nitrile	1
	M223	13-23		085043 (9004201-3700)	O-ring, 11.89 x 1.98, nitrile	1
	N0020	13-23		076042	Seal nut	1
	P0030	13-23		11050757	O-ring, 47.00 x 3.00, nitrile	1
	P0043	13-23		11063016	O-ring, 26.64 x 2.62, nitrile	1
	P0044	13-23		11063013	Piston ring	1



Products we offer:

- Bent Axis Motors
- Closed Circuit Axial Piston Pumps and Motors
- Displays
- Electrohydraulic Power Steering
- Electrohydraulics
- Hydraulic Power Steering
- Integrated Systems
- Joysticks and Control Handles
- Microcontrollers and Software
- Open Circuit Axial Piston Pumps
- Orbital Motors
- PLUS+1® GUIDE
- Proportional Valves
- Sensors
- Steering
- Transit Mixer Drives

Danfoss Power Solutions is a global manufacturer and supplier of high-quality hydraulic and electronic components. We specialize in providing state-of-the-art technology and solutions that excel in the harsh operating conditions of the mobile off-highway market. Building on our extensive applications expertise, we work closely with our customers to ensure exceptional performance for a broad range of off-highway vehicles.

We help OEMs around the world speed up system development, reduce costs and bring vehicles to market faster.

Danfoss – Your Strongest Partner in Mobile Hydraulics.

Go to www.powersolutions.danfoss.com for further product information.

Wherever off-highway vehicles are at work, so is Danfoss.

We offer expert worldwide support for our customers, ensuring the best possible solutions for outstanding performance. And with an extensive network of Global Service Partners, we also provide comprehensive global service for all of our components.

Please contact the Danfoss Power Solution representative nearest you.

Comatrol

www.comatrol.com

Schwarzmueller-Inverter

www.schwarzmueller-inverter.com

Turolla

www.turollaocg.com

Valmova

www.valmova.com

Hydro-Gear

www.hydro-gear.com

Daikin-Sauer-Danfoss

www.daikin-sauer-danfoss.com

Local address:

Danfoss Power Solutions US Company

2800 East 13th Street
Ames, IA 50010, USA
Phone: +1 515 239 6000

Danfoss Power Solutions GmbH & Co. OHG

Krokamp 35
D-24539 Neumünster, Germany
Phone: +49 4321 871 0

Danfoss Power Solutions ApS

Nordborgvej 81
DK-6430 Nordborg, Denmark
Phone: +45 7488 4444

Danfoss Power Solutions

22F, Block C, Yishan Rd
Shanghai 200233, China
Phone: +86 21 3418 5200

Danfoss can accept no responsibility for possible errors in catalogues, brochures and other printed material. Danfoss reserves the right to alter its products without notice. This also applies to products already on order provided that such alterations can be made without subsequential changes being necessary in specifications already agreed. All trademarks in this material are property of the respective companies. Danfoss and the Danfoss logotype are trademarks of Danfoss A/S. All rights reserved.