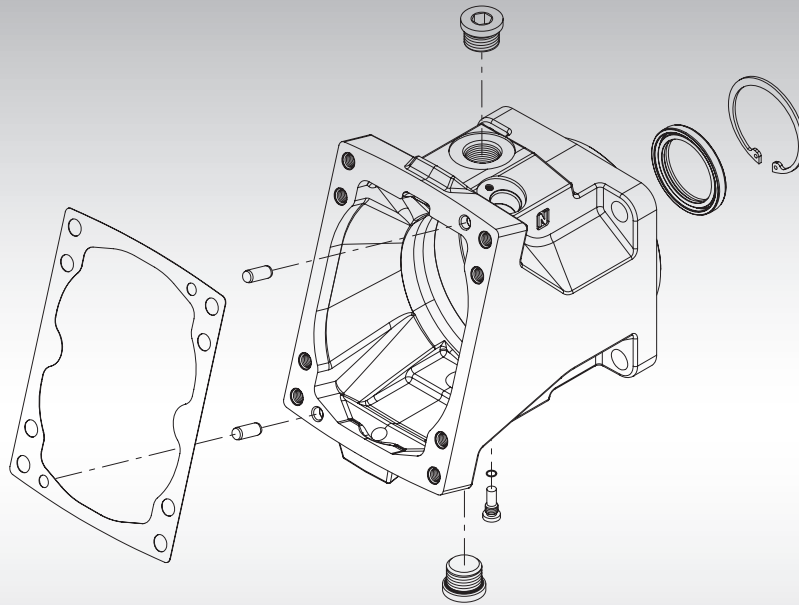




Parts Manual

H1B 80 cc Bent Axis Motor







Contents

General information	Service parts identification	4
	Nameplate	4
	Date code	5
	Service bulletins.....	5
	Procedure to identify a part.....	5
	Order code	7
Control	Control.....	8-15
Servo pressure supply	Servo pressure supply	16-41
Orifice	Orifice	42-43
End cap	End cap.....	44-61
Flange housing	Cartridge flange.....	62-63
	DIN flange	64-65
	SAE flange	66-69
Shaft	Shaft	70-71
Speed sensor	Speed sensor.....	72-73
Loop flushing	Shuttle system	74-75
	Relief valve	76-77
Special hardware	Special hardware/common parts.....	78-79
Minimum displacement	Minimum displacement.....	78-79
Maximum displacement	Maximum displacement	80-81
Seal kit	Overhaul seal kit.....	81
Service bulletin	SB-2012-018 (minimum angle stop).....	82



General information

Service parts identification

The following information and procedure is used to identify the module group, item number, manufacture date, part number, and part name of the parts included in the H1B 80 cc variable displacement motors.

The parts listed include all parts which may be used when performing either “Minor Repairs”, “Major Repairs” or “Conversions” on the H1B 80 cc motor.

Nameplate

Each unit will have a nameplate affixed to the end cap. The nameplate will include the following information.

Model Code

The Danfoss model code completely defines the specific unit and must be used when ordering parts to service this product.

Model Number

The Danfoss model number is used by the factory in manufacturing. On repeat orders, a complete unit can be ordered by the model number.

Serial Number

The Danfoss serial number is used to identify the manufacture date and the unit sequence in the build. The serial number is also used to identify the units warranty time period.

The letter code indicates the location of original manufacture (assembly). “N” indicates the unit was originally assembled in Neumuenster, Germany. “H” indicates the unit was originally assembled in Haiyan, China.

The first number (2 digits) indicates the year of manufacture. (“13” would indicate the unit was manufactured in 2013)

The second number (2 digits) indicates the calendar week of manufacture.

The third number (5 digits) is a sequential number used to identify a specific unit.





General information

Date code

The date code is defined as the year and week of manufacture. The same item number may list more than one part number. This indicates that there is more than one configuration for that item number. You will see that there are different date codes for the different part numbers. Find the date code of your unit from the nameplate to determine which service part number you need to order.

EXAMPLE: The service part desired is Item G30

Order Code	Item	Date Begin	Date End	Part Number	Part Name	Usage
80	G30	89-17		8000243	End cap gasket	1
	G30	87-02	89-16	8000151	End cap gasket (SB-1995-006)	1

All units using this order code with a date code of 87-02 and up to and including 89-16, must use part number "8000151". All units with a date code of 89-17 and newer must use part number "8000243".

Service bulletins

A Service Bulletin Number (SB-____-____) may follow the "Part Name" of the part you desire. You must read that Service Bulletin prior to ordering that part. The information contained in these Service Bulletins, as of the print date of this bulletin, are included at the end of this manual. Service Bulletins contain more detailed information such as interchangeability, what additional parts are involved, etc. It is suggested that you add additional Service Bulletins to this manual as you receive them.

Procedure to identify a part

General

The modular design of H1B units results in a simplified service parts list and part number identification procedure.

The same item numbers are used for same part names on all units within a product type. (Example: The lip seal - Item G0020 has the same item number on all motors.)

A part number that has another number following it in parentheses is done to make this a world wide manual. The first number is sold in Germany. The number in parentheses is sold in the United States. (Example: 314583 (9008000-0118), customers would order 9008000-0118 if ordering the part in the United States.)

Example of a Part Identification

The nameplate on an H1 motor has an Order Code of H1B080-A-L1-BA-N-B-PA-DS-GS-S-A-10-NN-016-N-00-NNN. Use the following procedures to determine the part number of the minimum angle set screw used on this motor.

1) Referring to the minimum displacement module in the Order Code (see page 7), the minimum angle set screw option for this motor is identified by the code "016". (H1B080-A-L1-BA-N-B-PA-DS-GS-S-A-10-NN-016-N-00-NNN)

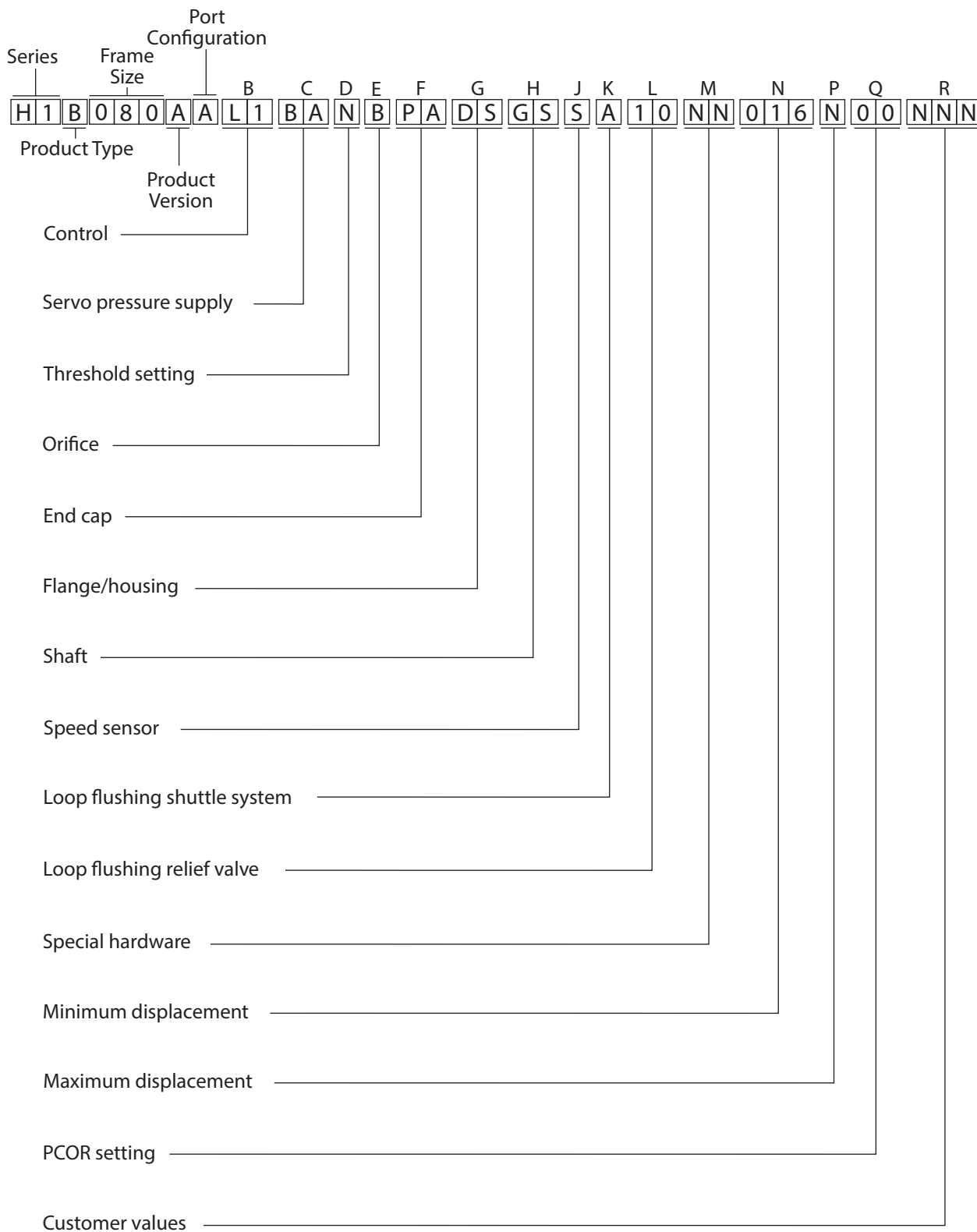
2) Referring to the Service Parts List, find the minimum displacement group. Next find the order code that relates to this unit, which is "016". The minimum angle set screw is found to be item N1000 and part number 11012777.



Notes



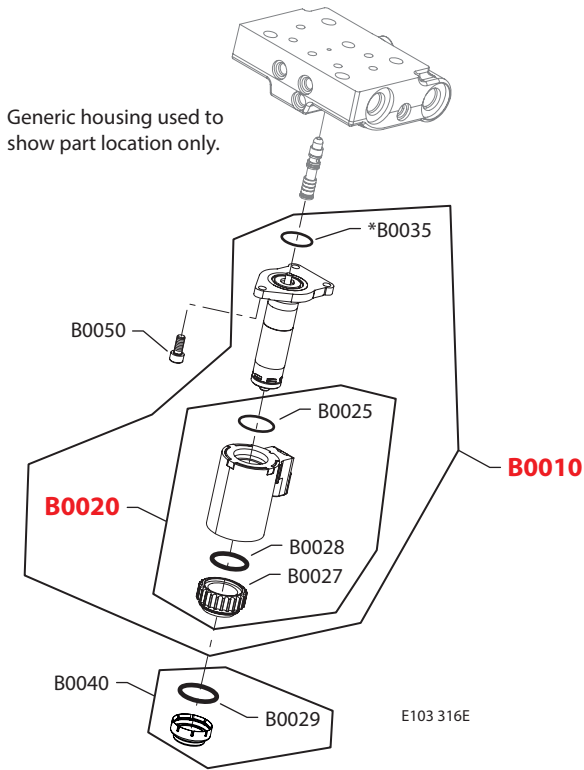
Order code



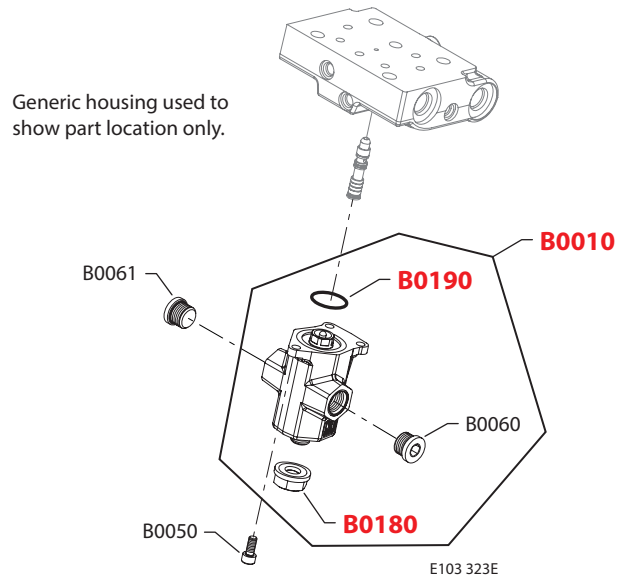


Control

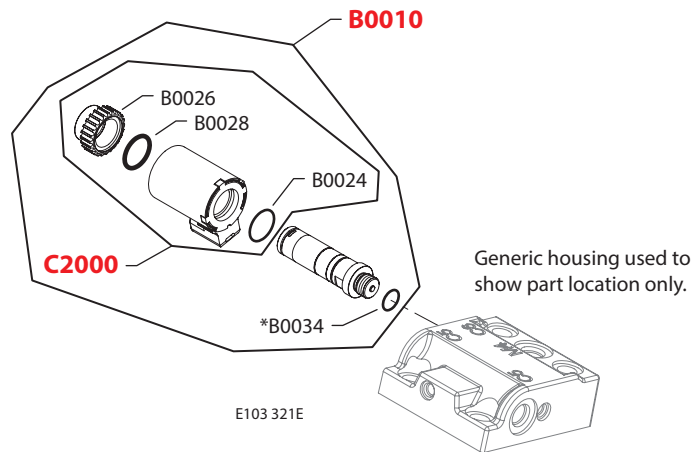
(D1 & D2)



(DH)



(E1 & E2)



* = included in overhaul seal kit Q210

Enlarged **bold** type item numbers are recommended part to stock for servicing.


Control
Electric proportional

Order Code	Item	Date Begin	Date End	Part Number	Part Name	Qty. per Model/Kit
D1	B0010	08-14		149053	Solenoid valve, proportional, 12 volt	1
	B0020	08-14		11031746	Coil kit, 12 volt	1
	B0025	08-14		11004735	O-ring	1
	B0027	08-14		11004749	Coil nut	1
	B0028	08-14		063172	O-ring	1
	B0029	08-14		11037174	O-ring	1
	B0035	08-14		11001952	O-ring	1
	B0040	08-14		11014185	Plastic cap	1
	B0050	08-14		716860	Screw, M5 x 12	3
D2	B0010	08-14		11002705	Solenoid valve, proportional, 24 volt	1
	B0020	08-14		11031749	Coil kit, 24 volt	1
	B0025	08-14		11004735	O-ring	1
	B0027	08-14		11004749	Coil nut	1
	B0028	08-14		063172	O-ring	1
	B0029	08-14		11037174	O-ring	1
	B0035	08-14		11001952	O-ring	1
	B0040	08-14		11014185	Plastic cap	1
	B0050	08-14		716860	Screw, M5 x 12	3

Hydraulic proportional

DH	B0010	14-37		11146306	Actuator assembly	1
	B0050	14-37		716860	Screw, M5 x 12	3
	B0060	14-37		140644	Plug assembly	1
	B0061	14-37		140644	Plug assembly	1
	B0180	14-37		076042 (9003509-0012)	Seal nut, M12	1
	B0190	14-37		012575 (9004105-1170)	O-ring	1

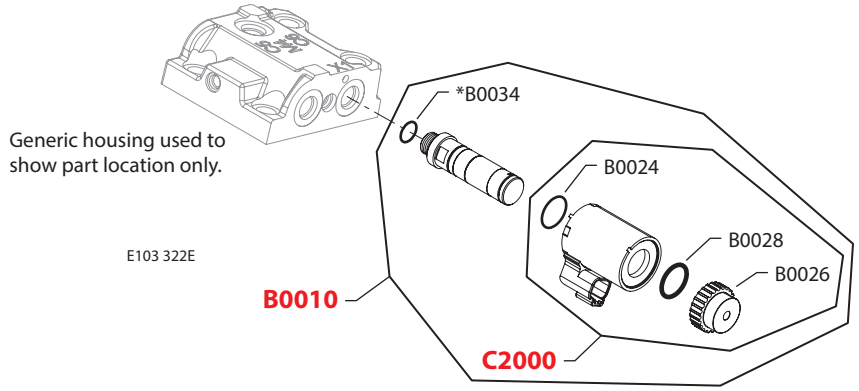
Electric 2-position

E1	B0010	08-14		11013615	Solenoid, on/off, 12 volt	1
	B0024	08-14		11031608	O-ring	1
	B0026	08-14		11027046	Coil nut	1
	B0028	08-14		063172	O-ring	1
	B0034	08-14		085043 (9004201-3700)	O-ring	1
	C2000	08-14		11031763	Coil kit, 12 volt	1
	E2	B0010	08-14		11013616	Solenoid, on/off, 24 volt
B0024		08-14		11031608	O-ring	1
B0026		08-14		11027046	Coil nut	1
B0028		08-14		063172	O-ring	1
B0034		08-14		085043 (9004201-3700)	O-ring	1
C2000		08-14		11031764	Coil kit, 24 volt	1

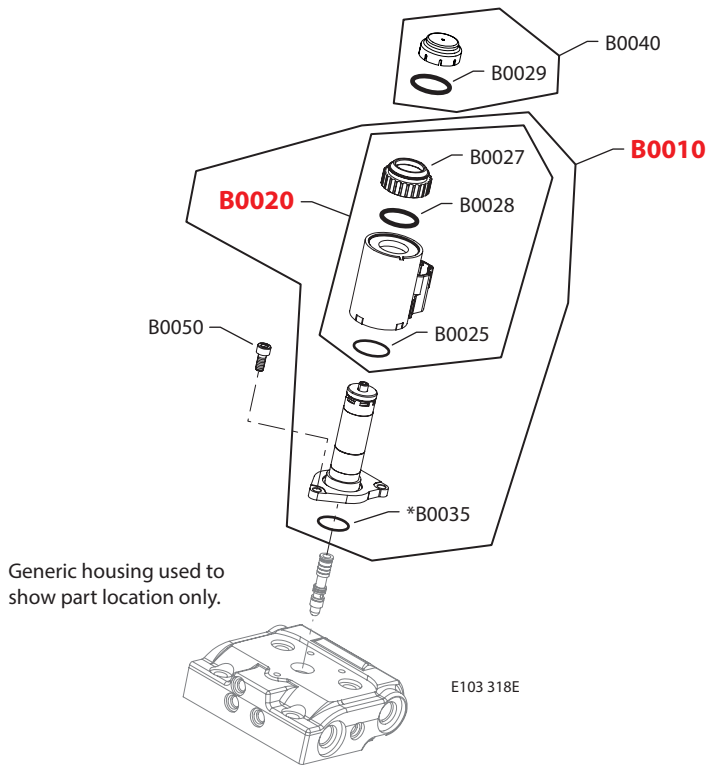


Control

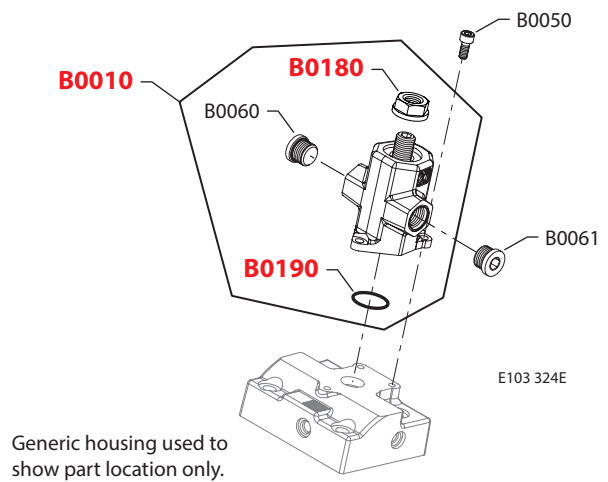
(F1 & F2)



(K1 & K2)



(KH)



* = included in overhaul seal kit Q210

Enlarged **bold** type item numbers are recommended part to stock for servicing.


Control
Electric 2-position control

Order Code	Item	Date Begin	Date End	Part Number	Part Name	Qty. per Model/Kit
F1	B0010	11-48		11013615	Solenoid, on/off, 12 volt	1
	B0024	11-48		11031608	O-ring	1
	B0026	11-48		11027046	Coil nut	1
	B0028	11-48		063172	O-ring	1
	B0034	11-48		085043 (9004201-3700)	O-ring	1
	C2000	11-48		11031763	Coil kit, 12 volt	1
	F2	B0010	11-48		11013616	Solenoid, on/off, 24 volt
B0024		11-48		11031608	O-ring	1
B0026		11-48		11027046	Coil nut	1
B0028		11-48		063172	O-ring	1
B0034		11-48		085043 (9004201-3700)	O-ring	1
C2000		11-48		11031764	Coil kit, 24 volt	1

Hydraulic 2-position

HE	no parts				
HF	no parts				

Electric 2-position control

K1	B0010	08-14		149053	Solenoid valve, proportional, 12 volt	1
	B0020	08-14		11031746	Coil kit, 12 volt	1
	B0025	08-14		11004735	O-ring	1
	B0027	08-14		11004749	Coil nut	1
	B0028	08-14		063172	O-ring	1
	B0029	08-14		11037174	O-ring	1
	B0035	08-14		11001952	O-ring	1
	B0040	08-14		11014185	Plastic cap	1
	B0050	08-14		716860	Screw, M5 x 12	3
	K2	B0010	08-14		11002705	Solenoid valve, proportional, 24 volt
B0020		08-14		11031749	Coil kit, 24 volt	1
B0025		08-14		11004735	O-ring	1
B0027		08-14		11004749	Coil nut	1
B0028		08-14		063172	O-ring	1
B0029		08-14		11037174	O-ring	1
B0035		08-14		11001952	O-ring	1
B0040		08-14		11014185	Plastic cap	1
B0050		08-14		716860	Screw, M5 x 12	3

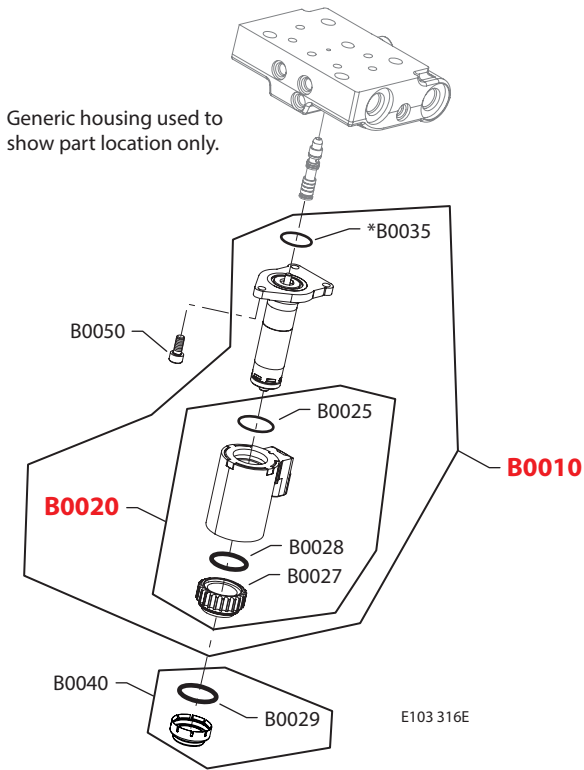
Hydraulic proportional

KH	B0010	15-48		11146306	Actuator assembly	1
	B0050	15-48		716860	Screw, M5 x 12	3
	B0060	15-48		140644	Plug assembly	1
	B0061	15-48		140644	Plug assembly	1
	B0180	15-48		076042 (9003509-0012)	Seal nut, M12	1
	B0190	15-48		012575 (9004105-1170)	O-ring	1

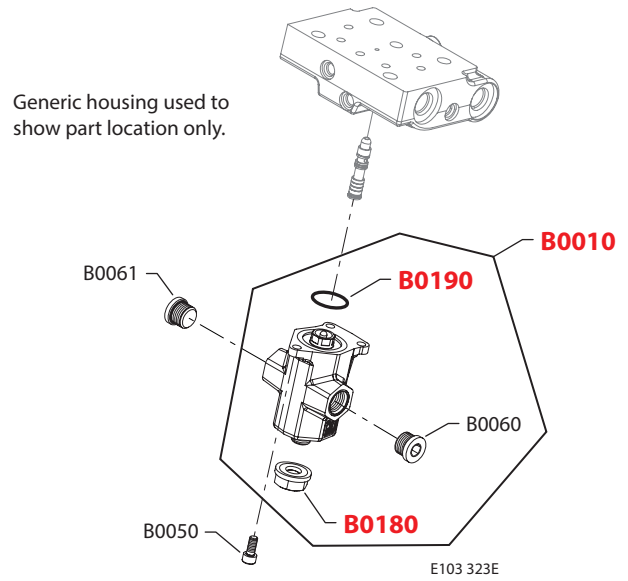


Control

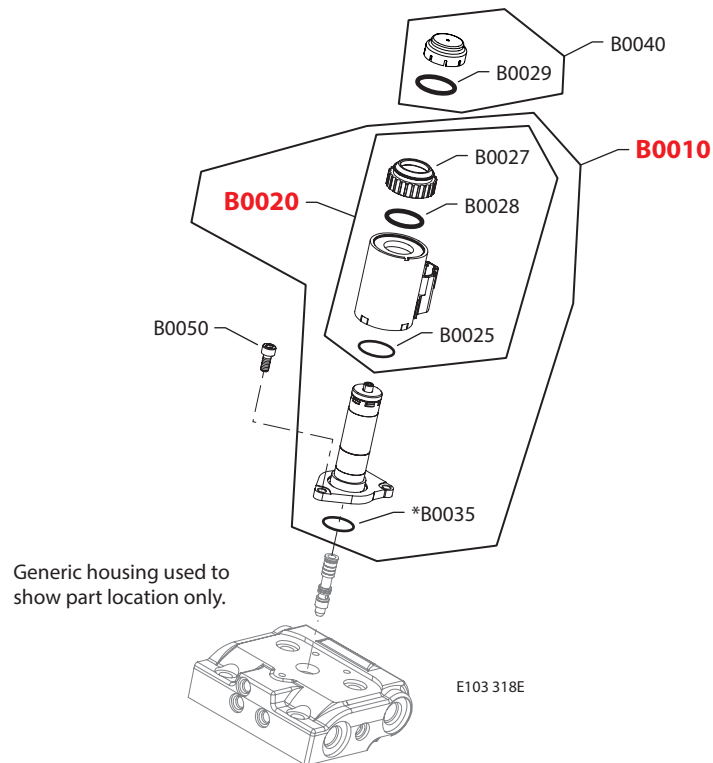
(L1 & L2)



(LH)



M1 & M2)



* = included in overhaul seal kit Q210

Enlarged **bold** type item numbers are recommended part to stock for servicing.


Control
Electric proportional control

Order Code	Item	Date Begin	Date End	Part Number	Part Name	Qty. per Model/Kit
L1	B0010	08-14		149053	Solenoid valve, proportional, 12 volt	1
	B0020	08-14		11031746	Coil kit, 12 volt	1
	B0025	08-14		11004735	O-ring	1
	B0027	08-14		11004749	Coil nut	1
	B0028	08-14		063172	O-ring	1
	B0029	08-14		11037174	O-ring	1
	B0035	08-14		11001952	O-ring	1
	B0040	08-14		11014185	Plastic cap	1
	B0050	08-14		716860	Screw, M5 x 12	3
L2	B0010	08-14		11002705	Solenoid valve, proportional, 24 volt	1
	B0020	08-14		11031749	Coil kit, 24 volt	1
	B0025	08-14		11004735	O-ring	1
	B0027	08-14		11004749	Coil nut	1
	B0028	08-14		063172	O-ring	1
	B0029	08-14		11037174	O-ring	1
	B0035	08-14		11001952	O-ring	1
	B0040	08-14		11014185	Plastic cap	1
	B0050	08-14		716860	Screw, M5 x 12	3

Hydraulic proportional

LH	B0010	14-37		11146306	Actuator assembly	1
	B0050	14-37		716860	Screw, M5	3
	B0060	14-37		140644	Plug assembly	1
	B0061	14-37		140644	Plug assembly	1
	B0180	14-37		076042 (9003509-0012)	Seal nut, M12	1
	B0190	14-37		012575 (9004105-1170)	O-ring	1

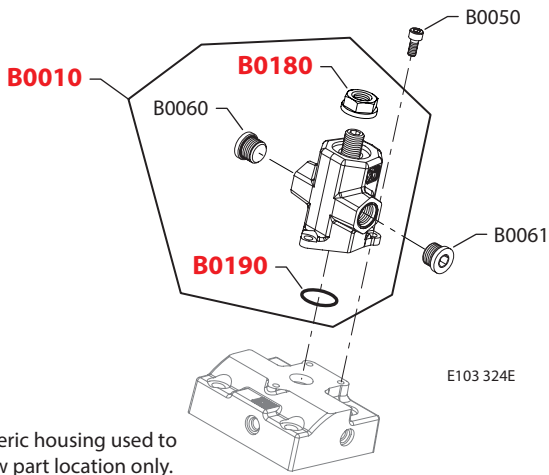
Electric proportional control

M1	B0010	08-14		149053	Solenoid valve, proportional, 12 volt	1
	B0020	08-14		11031746	Coil kit, 12 volt	1
	B0025	08-14		11004735	O-ring	1
	B0027	08-14		11004749	Coil nut	1
	B0028	08-14		063172	O-ring	1
	B0029	08-14		11037174	O-ring	1
	B0035	08-14		11001952	O-ring	1
	B0040	08-14		11014185	Plastic cap	1
	B0050	08-14		716860	Screw, M5 x 12	3
M2	B0010	08-14		11002705	Solenoid valve, proportional, 24 volt	1
	B0020	08-14		11031749	Coil kit, 24 volt	1
	B0025	08-14		11004735	O-ring	1
	B0027	08-14		11004749	Coil nut	1
	B0028	08-14		063172	O-ring	1
	B0029	08-14		11037174	O-ring	1
	B0035	08-14		11001952	O-ring	1
	B0040	08-14		11014185	Plastic cap	1
	B0050	08-14		716860	Screw, M5 x 12	3

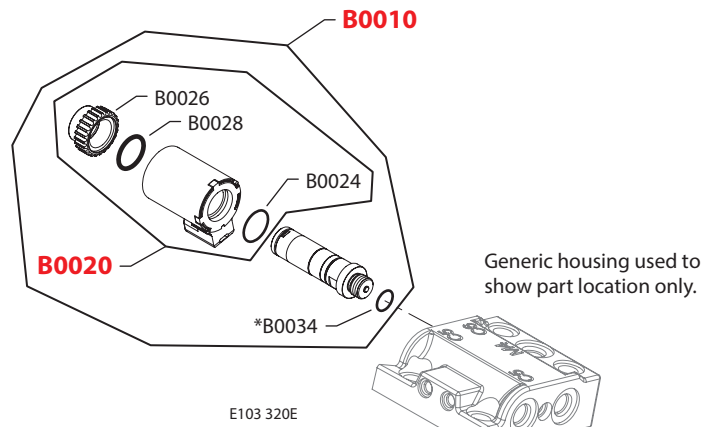


Control

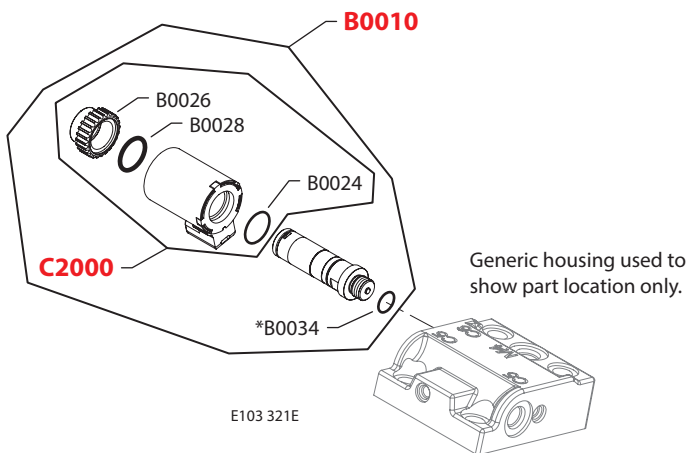
(MH)



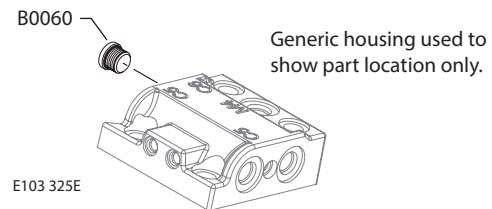
(P1 & P2)



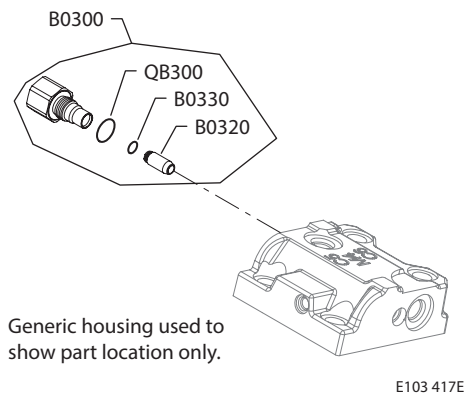
(T1 & T2)



(TA)



(TH)



* = included in overhaul seal kit Q210

Enlarged **bold** type item numbers are recommended part to stock for servicing.


Control
Hydraulic proportional control

Order Code	Item	Date Begin	Date End	Part Number	Part Name	Qty. per Model/Kit
MH	B0010	14-23		11146306	Actuator assembly	1
	B0050	14-23		716860	Screw, M5 x 12	3
	B0060	14-23		140644	Plug assembly	1
	B0061	14-23		140644	Plug assembly	1
	B0180	14-23		076042 (9003509-0012)	Seal nut, M12	1
	B0190	14-23		012575 (9004105-1170)	O-ring	1

Hydraulic 2-position

N1				no parts		
NA				no parts		
NB				no parts		

Electric 2-position control

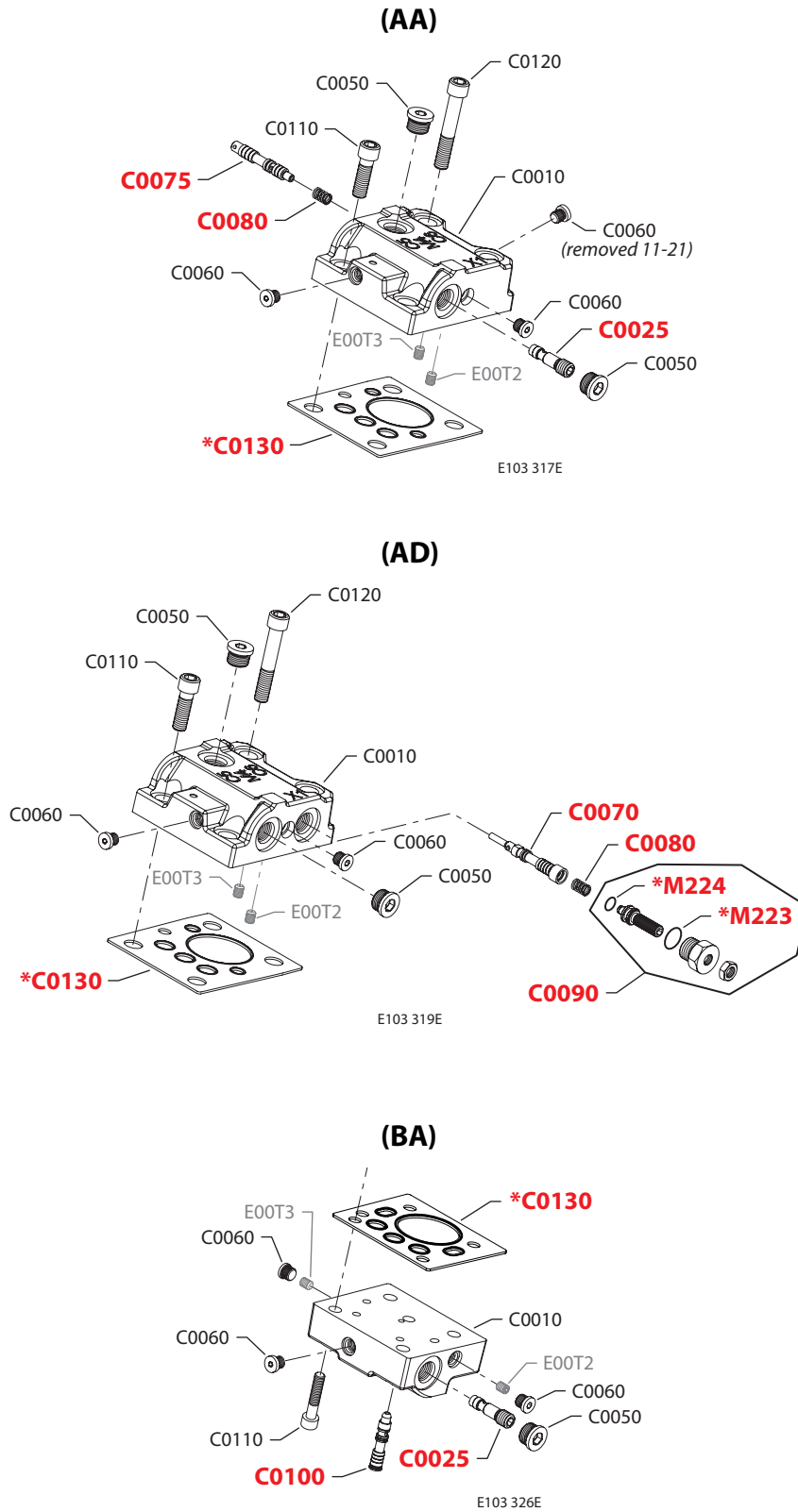
P1	B0010	08-14		11013613	Solenoid valve, proportional, 12 volt	1
	B0020	08-14		11031751	Coil kit, 12 volt	1
	B0024	08-14		11031608	O-ring	1
	B0026	08-14		11027046	Coil nut	1
	B0028	08-14		063172	O-ring	1
	B0034	08-14		085043 (9004201-3700)	O-ring	1
	P2	B0010	08-14		11013614	Solenoid valve, proportional, 24 volt
B0020		08-14		11031762	Coil kit, 24 volt	1
B0024		08-14		11031608	O-ring	1
B0026		08-14		11027046	Coil nut	1
B0028		08-14		063172	O-ring	1
B0034		08-14		085043 (9004201-3700)	O-ring	1
T1		B0010	08-14		11013615	Solenoid, on/off, 12 volt
	B0024	08-14		11031608	O-ring	1
	B0026	08-14		11027046	Coil nut	1
	B0028	08-14		063172	O-ring	1
	B0034	08-14		085043 (9004201-3700)	O-ring	1
	C2000	08-14		11031763	Coil kit, 12 volt	1
	T2	B0010	08-14		11013616	Solenoid, on/off, 24 volt
B0024		08-14		11031608	O-ring	1
B0026		08-14		11027046	Coil nut	1
B0028		08-14		063172	O-ring	1
B0034		08-14		085043 (9004201-3700)	O-ring	1
C2000		08-14		11031764	Coil kit, 24 volt	1
TA		B0060	11-46		140644	Plug assembly

Hydraulic 2-position

TH	B0300	15-27		11157844	PCOR override adapter assembly	1
	B0320	15-27		11157843	Sensing spool	1
	B0330	15-27		11164139	O-ring	1
	QB300	15-27		085043 (9004201-3700)	O-ring	1



Servo pressure supply



* = included in overhaul seal kit Q210

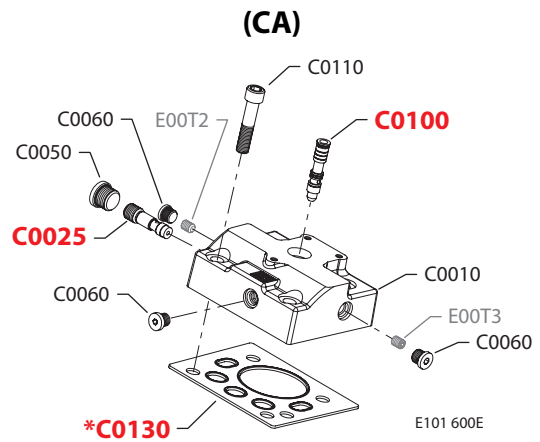
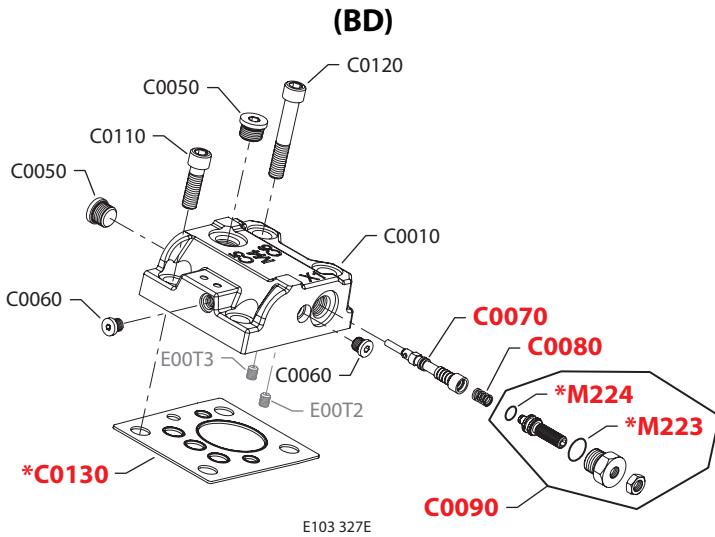
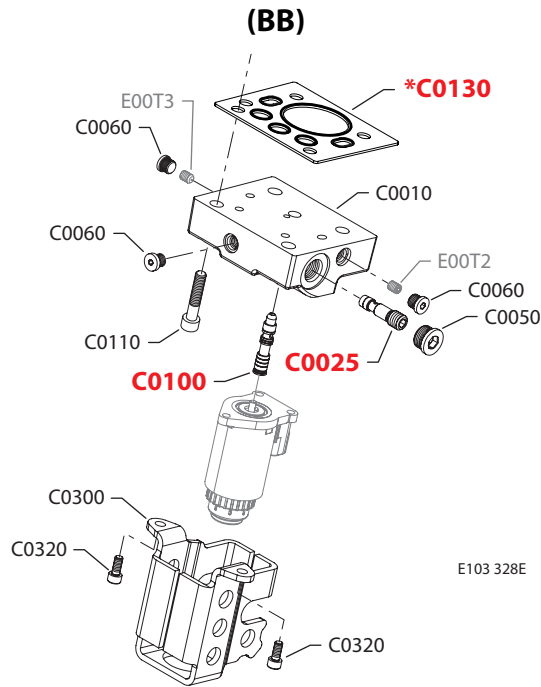
Enlarged **bold** type item numbers are recommended part to stock for servicing.


Servo pressure supply
Servo pressure supply

Order Code	Item	Date Begin	Date End	Part Number	Part Name	Qty. per Model/Kit
AA	C0010	08-14		11086113	Control housing, 2-position	1
	C0025	08-14		11000893	Shuttle valve assembly	1
	C0050	08-14		140644	Plug assembly	2
	C0060	11-22		11040532	Plug assembly	2
	C0060	08-14	11-21	11040532	Plug assembly	3
	C0075	08-14		11016166	Spool	1
	C0080	08-14		11067002	Spring	1
	C0110	08-14		737866 (9007314-1207)	Screw, M12 x 30	2
	C0120	08-14		283325 (9007314-1211)	Screw, M12 x 50	2
	C0130	08-14		11016168	Control seal	1
AD	C0010	12-14		11110070	Control housing, 2-position	1
	C0050	12-14		140644	Plug assembly	2
	C0060	12-14		11040532	Plug assembly	2
	C0070	12-14		11016228	Spool	1
	C0080	12-14		11067002	Spring	1
	C0090	12-14		509360	Adjuster	1
	C0110	12-14		737866 (9007314-1207)	Screw, M12 x 30	2
	C0120	12-14		283325 (9007314-1211)	Screw, M12 x 50	2
	C0130	12-14		11016168	Control seal	1
	M223	12-14		085043 (9004201-3700)	O-ring	1
M224	12-14		732479 (9004105-0100)	O-ring	1	
BA	C0010	08-14		149057	Control housing, proportional	1
	C0025	08-14		11000893	Shuttle valve assembly	1
	C0050	08-14		140644	Plug assembly	1
	C0060	08-14		11040532	Plug assembly	3
	C0100	08-14		149041	Spool	1
	C0110	08-14		710855	Screw, M8 x 35	4
	C0130	08-14		149040	Control seal	1
	BA, metric	C0010	15-45		11161819	Control housing, proportional, metric
	C0025	15-45		11000893	Shuttle valve assembly	1
	C0050	15-45		5000438	Plug assembly, M14	1
	C0060	15-45		11040532	Plug assembly	3
	C0100	15-45		149041	Spool	1
	C0110	15-45		710855	Screw, M8 x 35	4
	C0130	15-45		149040	Control seal	1



Servo pressure supply



* = included in overhaul seal kit Q210

Enlarged **bold** type item numbers are recommended part to stock for servicing.

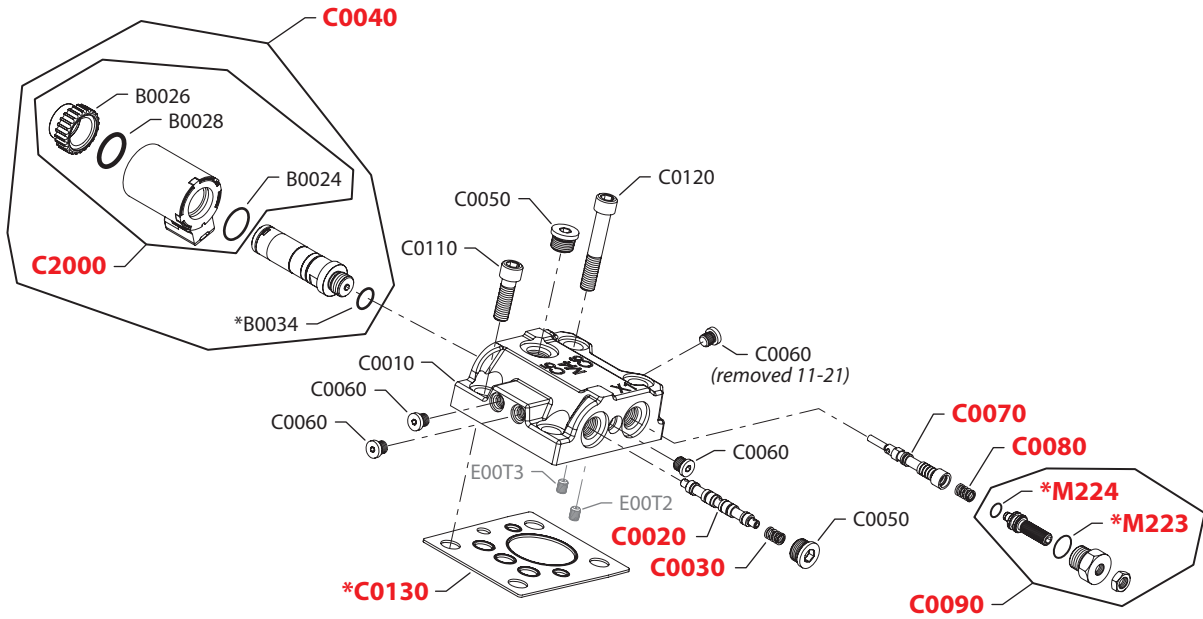

Servo pressure supply
Servo pressure supply

Order Code	Item	Date Begin	Date End	Part Number	Part Name	Qty. per Model/Kit	
BB	C0010	12-24		11116918	Control housing, proportional	1	
	C0025	12-24		11000893	Shuttle valve assembly	1	
	C0050	12-24		140644	Plug assembly	1	
	C0060	12-24		11040532	Plug assembly	3	
	C0100	12-24		149041	Spool	1	
	C0110	12-24		710855	Screw, M8 x 35	4	
	C0130	12-24		149040	Control seal	1	
	C0300	12-24		11086158	Protective cover	1	
	C0320	12-24		395822	Screw, M6 x 12mm	2	
	BB, metric	C0010	15-45		11116918	Control housing, proportional	1
C0025		15-45		11000893	Shuttle valve assembly	1	
C0050		15-45		140644	Plug assembly	1	
C0060		15-45		11040532	Plug assembly	3	
C0100		15-45		149041	Spool	1	
C0110		15-45		710855	Screw, M8 x 35	4	
C0130		15-45		149040	Control seal	1	
C0300		15-45		11086158	Protective cover	1	
C0320		15-45		395822	Screw, M6 x 12mm	2	
BD		C0010	12-14		11110071	Control housing, 2-position	1
	C0050	12-14		140644	Plug assembly	2	
	C0060	12-14		11040532	Plug assembly	2	
	C0070	12-14		11016228	Spool	1	
	C0080	12-14		11067002	Spring	1	
	C0090	12-14		509360	Adjuster	1	
	C0110	12-14		737866 (9007314-1207)	Screw, M12 x 30	2	
	C0120	12-14		283325 (9007314-1211)	Screw, M12 x 50	2	
	C0130	12-14		11016168	Control seal	1	
	M223	12-14		085043 (9004201-3700)	O-ring	1	
	M224	12-14		732479 (9004105-0100)	O-ring	1	
	CA	C0010	08-14		149057	Control housing, proportional	1
		C0025	08-14		11000893	Shuttle valve assembly	1
C0050		08-14		140644	Plug assembly	1	
C0060		08-14		11040532	Plug assembly	3	
C0100		08-14		149041	Spool	1	
C0110		08-14		710855	Screw, M8 x 35	4	
C0130		08-14		149040	Control seal	1	
CA, metric		C0010	15-51		11161819	Control housing, proportional	1
	C0025	15-51		11000893	Shuttle valve assembly	1	
	C0050	15-51		5000438	Plug assembly, M14	1	
	C0060	15-51		11040532	Plug assembly	3	
	C0100	15-51		149041	Spool	1	
	C0110	15-51		710855	Screw, M8 x 35	4	
	C0130	15-51		149040	Control seal	1	



Servo pressure supply

(D1 & D2)



E101 601E

* = included in overhaul seal kit Q210

Enlarged **bold** type item numbers are recommended part to stock for servicing.



Servo pressure supply

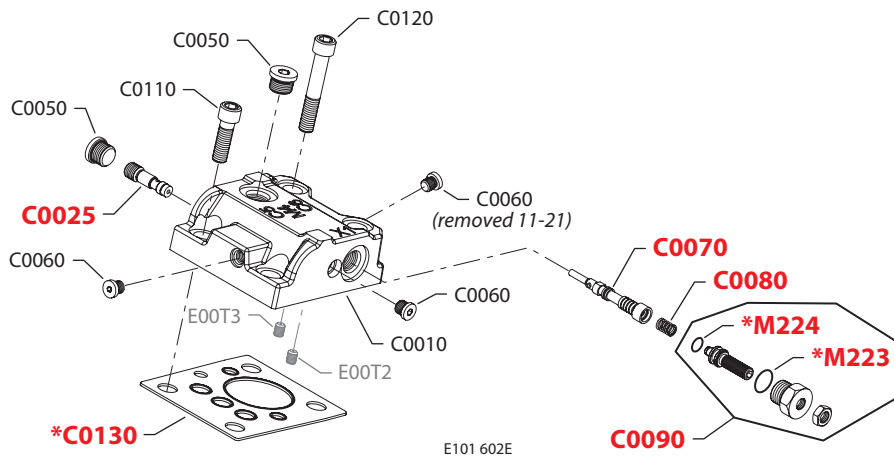
Servo pressure supply

Order Code	Item	Date Begin	Date End	Part Number	Part Name	Qty. per Model/Kit
D1	B0024	08-14		11031608	O-ring	1
	B0026	08-14		11027046	Coil nut	1
	B0028	08-14		063172	O-ring	1
	B0034	08-14		085043 (9004201-3700)	O-ring	1
	C0010	08-14		11086114	Control housing, PCOR	1
	C0020	08-14		11016229	Spool	1
	C0030	08-14		11067002	Spring	1
	C0040	08-14		11013615	Solenoid, on/off, 12 volt	1
	C0050	08-14		140644	Plug assembly	2
	C0060	11-22		11040532	Plug assembly	3
	C0060	08-14	11-21	11040532	Plug assembly	4
	C0070	08-14		11016228	Spool	1
	C0080	08-14		11067002	Spring	1
	C0090	08-14		509360	Adjuster	1
	C0110	08-14		737866 (9007314-1207)	Screw, M12 x 30	2
	C0120	08-14		283325 (9007314-1211)	Screw, M12 x 50	2
	C0130	08-14		11016168	Control seal	1
	C2000	08-14		11031763	Coil kit, 12 volt	1
	M223	08-14		085043 (9004201-3700)	O-ring	1
	M224	12-14		732479 (9004105-0100)	O-ring	1
D2	B0024	08-14		11031608	O-ring	1
	B0026	08-14		11027046	Coil nut	1
	B0028	08-14		063172	O-ring	1
	B0034	08-14		085043 (9004201-3700)	O-ring	1
	C0010	08-14		11086114	Control housing, PCOR	1
	C0020	08-14		11016229	Spool	1
	C0030	08-14		11067002	Spring	1
	C0040	08-14		11013616	Solenoid, on/off, 24 volt	1
	C0050	08-14		140644	Plug assembly	2
	C0060	11-22		11040532	Plug assembly	3
	C0060	08-14	11-21	11040532	Plug assembly	4
	C0070	08-14		11016228	Spool	1
	C0080	08-14		11067002	Spring	1
	C0090	08-14		509360	Adjuster	1
	C0110	08-14		737866 (9007314-1207)	Screw, M12 x 30	2
	C0120	08-14		283325 (9007314-1211)	Screw, M12 x 50	2
	C0130	08-14		11016168	Control seal	1
	C2000	08-14		11031764	Coil kit, 24 volt	1
	M223	08-14		085043 (9004201-3700)	O-ring	1
	M224	08-14		732479 (9004105-0100)	O-ring	1

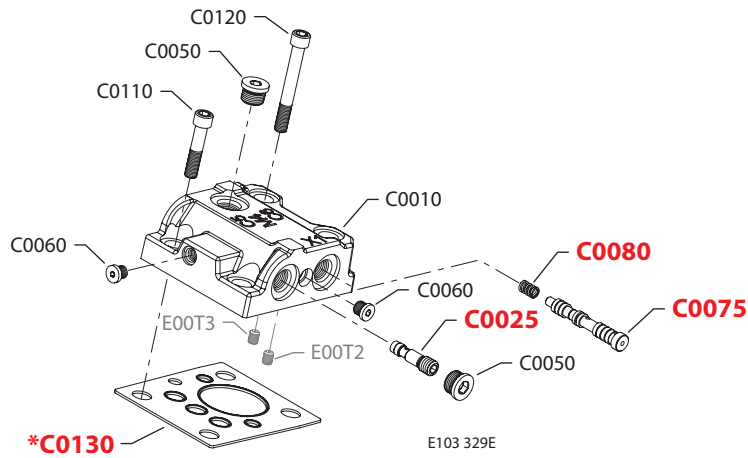


Servo pressure supply

(DA)



(EA)



* = included in overhaul seal kit Q210

Enlarged **bold** type item numbers are recommended part to stock for servicing.



Servo pressure supply

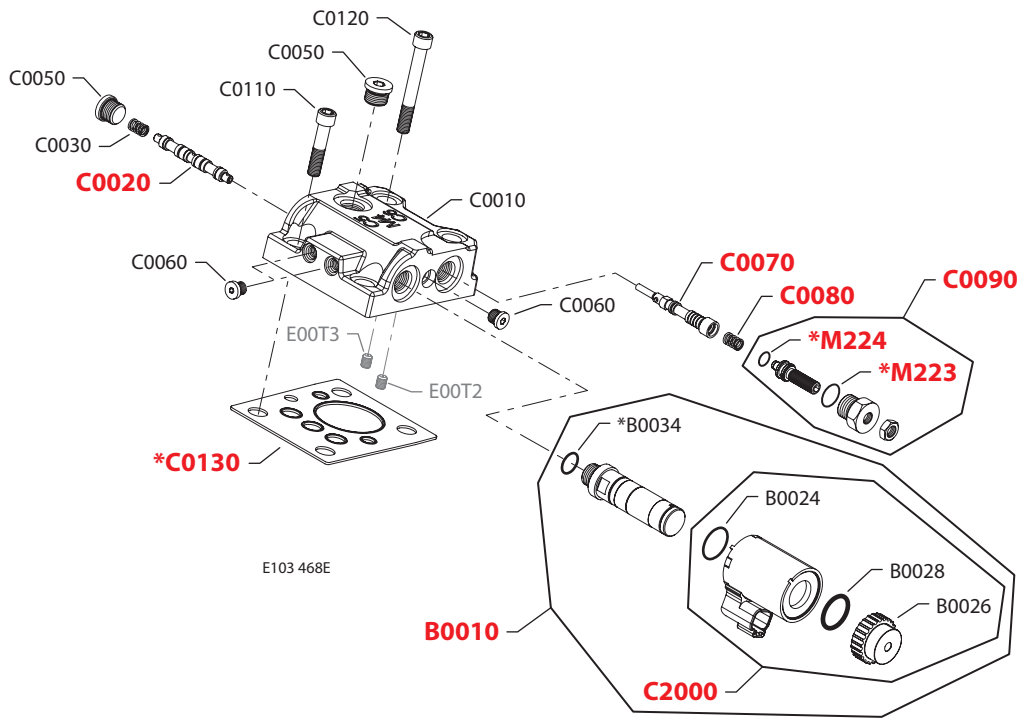
Servo pressure supply

Order Code	Item	Date Begin	Date End	Part Number	Part Name	Qty. per Model/Kit	
DA	C0010	08-14		11086115	Control housing, PCOR	1	
	C0025	08-14		11000893	Shuttle valve assembly	1	
	C0050	08-14		140644	Plug assembly	2	
	C0060	11-22		11040532	Plug assembly	2	
	C0060	08-14	11-21	11040532	Plug assembly	3	
	C0070	08-14		11016228	Spool	1	
	C0080	08-14		11067002	Spring	1	
	C0090	08-14		509360	Adjuster	1	
	C0110	08-14		737866 (9007314-1207)	Screw, M12 x 30	2	
	C0120	08-14		283325 (9007314-1211)	Screw, M12 x 50	2	
	C0130	08-14		11016168	Control seal	1	
	M223	08-14		085043 (9004201-3700)	O-ring	1	
	M224	08-14		732479 (9004105-0100)	O-ring	1	
	EA	C0010	11-22		11099281	Control housing, 2-position	1
		C0025	11-22		11000893	Shuttle valve assembly	1
C0050		11-22		140644	Plug assembly	2	
C0060		11-22		11040532	Plug assembly	2	
C0075		11-22		11122114	Spool, 2-position	1	
C0080		11-22		11067002	Spring	1	
C0110		11-22		737866 (9007314-1207)	Screw, M12 x 30	2	
C0120		11-22		283325 (9007314-1211)	Screw, M12 x 50	2	
C0130		11-22		11016168	Control seal	1	



Servo pressure supply

(G1 & G2)



* = included in overhaul seal kit Q210

Enlarged **bold** type item numbers are recommended part to stock for servicing.



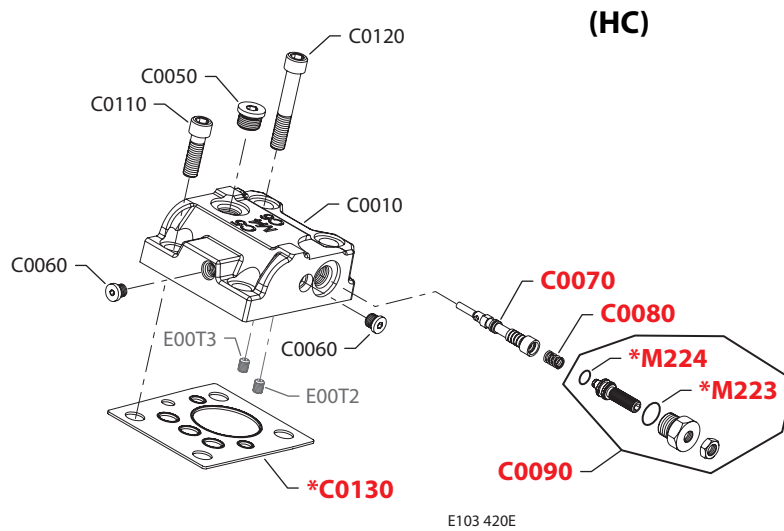
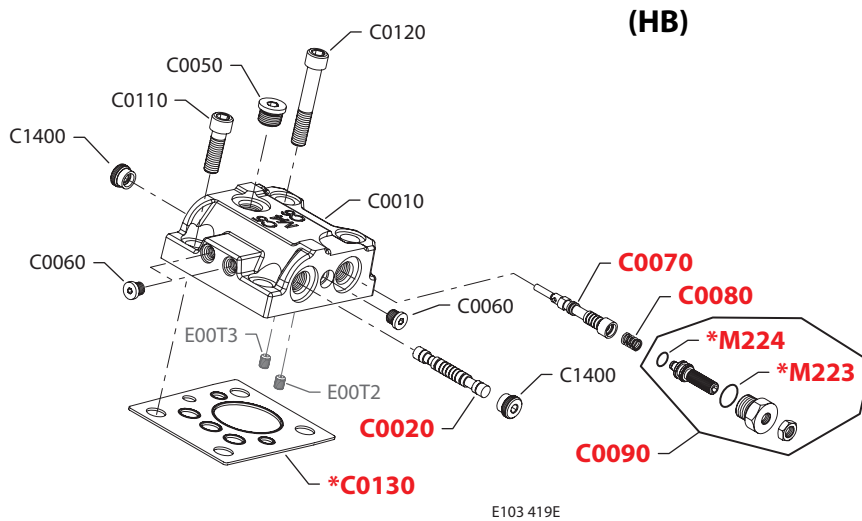
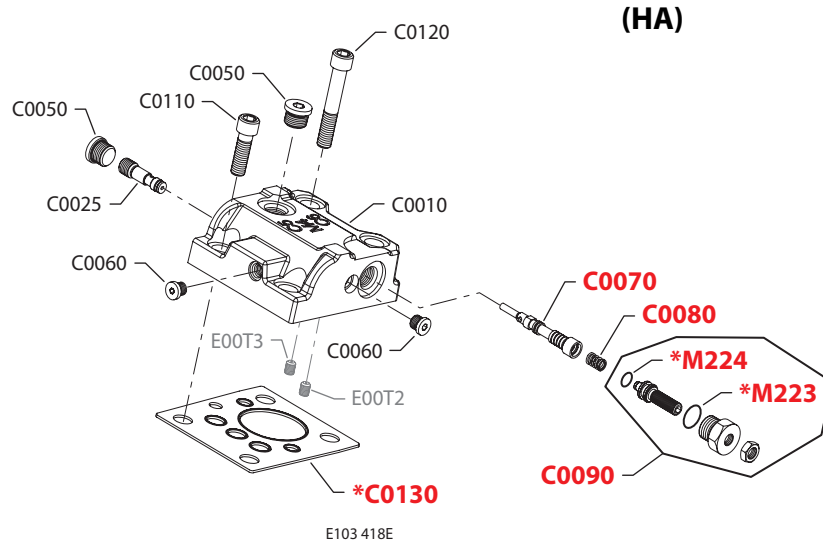
Servo pressure supply

Servo pressure supply

Order Code	Item	Date Begin	Date End	Part Number	Part Name	Qty. per Model/Kit
G1	B0024	16-07		11031608	O-ring	1
	B0026	16-07		11027046	Coil nut	1
	B0028	16-07		063172	O-ring	1
	B0034	16-07		085043 (9004201-3700)	O-ring	1
	C0010	16-07		11173253	Control housing, 2-position	1
	C0020	16-07		11016229	Spool	1
	C0030	16-07		11067002	Spring	1
	C0040	16-07		11013615	Solenoid valve, 12v	1
	C0050	16-07		140644	Plug assembly	2
	C0060	16-07		11040532	Plug assembly	3
	C0070	16-07		11016228	Spool	1
	C0080	16-07		11067002	Spring	1
	C0090	16-07		509360	Adjuster	1
	C0110	16-07		737866 (9007314-1207)	Screw, M12 x 30	2
	C0120	16-07		283325 (9007314-1211)	Screw, M12 x 50	2
	C0130	16-07		11016168	Control seal	1
	C2000	16-07		11031763	Coil kit, 12v	1
	M223	16-07		085043 (9004201-3700)	O-ring	1
	M224	16-07		732479 (9004105-0100)	O-ring	1
	G2	B0024	16-07		11031608	O-ring
B0026		16-07		11027046	Coil nut	1
B0028		16-07		063172	O-ring	1
B0034		16-07		085043 (9004201-3700)	O-ring	1
C0010		16-07		11173253	Control housing, 2-position	1
C0020		16-07		11016229	Spool	1
C0030		16-07		11067002	Spring	1
C0040		16-07		11013616	Solenoid valve, 24v	1
C0050		16-07		140644	Plug assembly	2
C0060		16-07		11040532	Plug assembly	3
C0070		16-07		11016228	Spool	1
C0080		16-07		11067002	Spring	1
C0090		16-07		509360	Adjuster	1
C0110		16-07		737866 (9007314-1207)	Screw, M12 x 30	2
C0120		16-07		283325 (9007314-1211)	Screw, M12 x 50	2
C0130		16-07		11016168	Control seal	1
C2000		16-07		11031764	Coil kit, 24v	1
M223		16-07		085043 (9004201-3700)	O-ring	1
M224		16-07		732479 (9004105-0100)	O-ring	1



Servo pressure supply



* = included in overhaul seal kit Q210

Enlarged **bold** type item numbers are recommended part to stock for servicing.

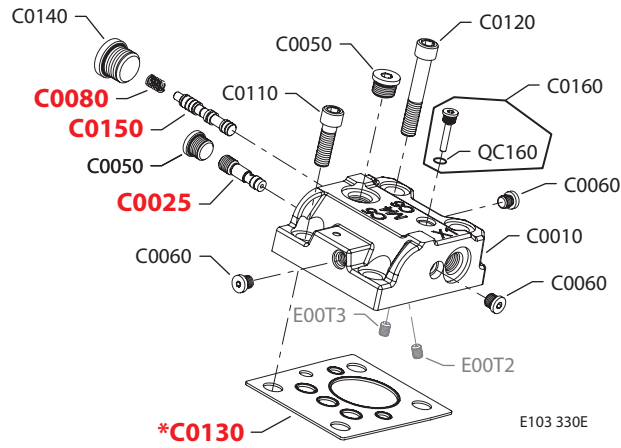

Servo pressure supply
Servo pressure supply

Order Code	Item	Date Begin	Date End	Part Number	Part Name	Qty. per Model/Kit	
HA	C0010	15-37		11162117	Control housing, 2-position	1	
	C0025	15-37		11000893	Shuttle valve assembly	1	
	C0050	15-37		140644	Plug assembly	2	
	C0060	15-37		11040532	Plug assembly	2	
	C0070	15-37		11016228	Spool	1	
	C0080	15-37		11067002	Spring	1	
	C0090	15-37		509360	Adjuster	1	
	C0110	15-37		737866 (9007314-1207)	Screw, M12 x 30	2	
	C0120	15-37		283325 (9007314-1211)	Screw, M12 x 50	2	
	C0130	15-37		11016168	Control seal	1	
	M223	15-37		085043 (9004201-3700)	O-ring	1	
	M224	15-37		732479 (9004105-0100)	O-ring	1	
	HB	C0010	15-37		11162118	Control housing, 2-position	1
		C0020	15-37		11162120	Spool	1
C0050		15-37		140644	Plug assembly	1	
C0060		15-37		11040532	Plug assembly	3	
C0070		15-37		11016228	Spool	1	
C0080		15-37		11067002	Spring	1	
C0090		15-37		509360	Adjuster	1	
C0110		15-37		737866 (9007314-1207)	Screw, M12 x 30	2	
C0120		15-37		283325 (9007314-1211)	Screw, M12 x 50	2	
C0130		15-37		11016168	Control seal	1	
C1400		15-37		11151817	Limiter plug	2	
M223		15-37		085043 (9004201-3700)	O-ring	1	
M224		15-37		732479 (9004105-0100)	O-ring	1	
HC		C0010	15-37		11162119	Control housing, 2-position	1
	C0050	15-37		140644	Plug assembly	1	
	C0060	15-37		11040532	Plug assembly	2	
	C0070	15-37		11016228	Spool	1	
	C0080	15-37		11067002	Spring	1	
	C0090	15-37		509360	Adjuster	1	
	C0110	15-37		737866 (9007314-1207)	Screw, M12 x 30	2	
	C0120	15-37		283325 (9007314-1211)	Screw, M12 x 50	2	
	C0130	15-37		11016168	Control seal	1	
	M223	15-37		085043 (9004201-3700)	O-ring	1	
	M224	15-37		732479 (9004105-0100)	O-ring	1	

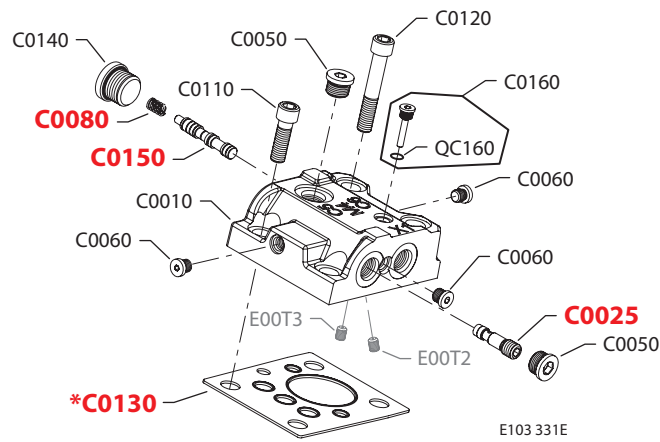


Servo pressure supply

(HE)



(HF)



* = included in overhaul seal kit Q210

Enlarged **bold** type item numbers are recommended part to stock for servicing.



Servo pressure supply

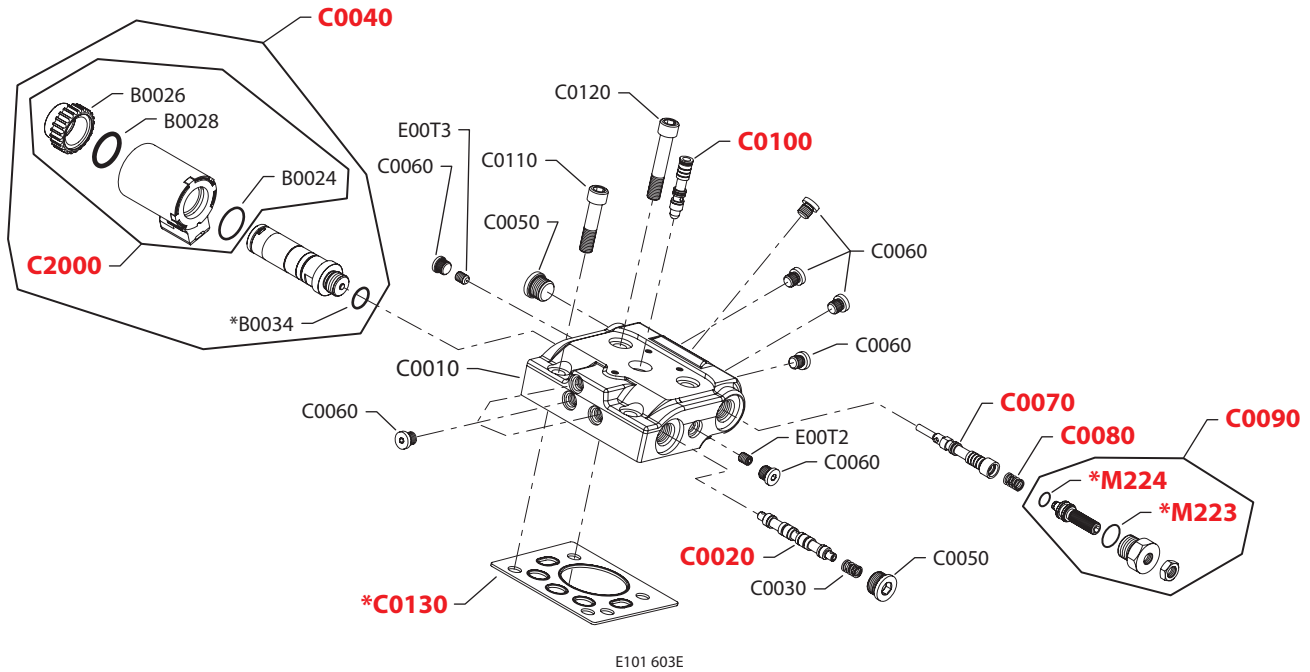
Servo pressure supply

Order Code	Item	Date Begin	Date End	Part Number	Part Name	Qty. per Model/Kit	
HE	C0010	08-14		11086117	Control housing, 2-position	1	
	C0025	08-14		11000893	Shuttle valve assembly	1	
	C0050	08-14		140644	Plug assembly	2	
	C0060	08-14		11040532	Plug assembly	3	
	C0080	08-14		11067002	Spring	1	
	C0110	08-14		737866 (9007314-1207)	Screw, M12 x 30	2	
	C0120	08-14		283325 (9007314-1211)	Screw, M12 x 50	2	
	C0130	08-14		11016168	Control seal	1	
	C0140	08-14		315325 (9005110-8700)	Plug assembly	1	
	C0150	08-14		11068172	Spool	1	
	C0160	08-14		511244	Plug assembly	1	
	QC160	08-14		039297 (9004201-1200)	O-ring	1	
	HF	C0010	08-14		11086118	Control housing, 2-position	1
		C0025	08-14		11000893	Shuttle valve assembly	1
C0050		08-14		140644	Plug assembly	2	
C0060		08-14		11040532	Plug assembly	3	
C0080		08-14		11067002	Spring	1	
C0110		08-14		737866 (9007314-1207)	Screw, M12 x 30	2	
C0120		08-14		283325 (9007314-1211)	Screw, M12 x 50	2	
C0130		08-14		11016168	Control seal	1	
C0140		08-14		315325 (9005110-8700)	Plug assembly	1	
C0150		08-14		11068172	Spool	1	
C0160		08-14		511244	Plug assembly	1	
QC160		08-14		039297 (9004201-1200)	O-ring	1	



Servo pressure supply

(K1 & K2)



* = included in overhaul seal kit Q210

Enlarged **bold** type item numbers are recommended part to stock for servicing.


Servo pressure supply
Servo pressure supply

Order Code	Item	Date Begin	Date End	Part Number	Part Name	Qty. per Model/Kit
K1	B0024	08-14		11031608	O-ring	1
	B0026	08-14		11027046	Coil nut	1
	B0028	08-14		063172	O-ring	1
	B0034	08-14		085043 (9004201-3700)	O-ring	1
	C0010	08-14		11026748	Control housing, proportional, PCOR	1
	C0020	08-14		11026792	Spool	1
	C0030	08-14		11067002	Spring	1
	C0040	08-14		11013615	Solenoid, on/off, 12 volt	1
	C0050	08-14		140644	Plug assembly	2
	C0060	08-14		11040532	Plug assembly	9
	C0070	08-14		11026751	Spool	1
	C0080	08-14		11067002	Spring	1
	C0090	08-14		509360	Adjuster	1
	C0100	08-14		149041	Spool	1
	C0110	08-14		710855	Screw, M8 x 35	2
	C0120	08-14		746644 (9007314-0810)	Screw, M8 x 45	2
	C0130	08-14		149040	Control seal	1
	C2000	08-14		11031763	Coil kit, 12 volt	1
	M223	08-14		085043 (9004201-3700)	O-ring	1
	M224	08-14		732479 (9004105-0100)	O-ring	1
K2	B0024	08-14		11031608	O-ring	1
	B0026	08-14		11027046	Coil nut	1
	B0028	08-14		063172	O-ring	1
	B0034	08-14		085043 (9004201-3700)	O-ring	1
	C0010	08-14		11026748	Control housing, proportional, PCOR	1
	C0020	08-14		11026792	Spool	1
	C0030	08-14		11067002	Spring	1
	C0040	08-14		11013616	Solenoid, on/off, 24 volt	1
	C0050	08-14		140644	Plug assembly	2
	C0060	08-14		11040532	Plug assembly	9
	C0070	08-14		11026751	Spool	1
	C0080	08-14		11067002	Spring	1
	C0090	08-14		509360	Adjuster	1
	C0100	08-14		149041	Spool	1
	C0110	08-14		710855	Screw, M8 x 35	2
	C0120	08-14		746644 (9007314-0810)	Screw, M8 x 45	2
	C0130	08-14		149040	Control seal	1
	C2000	08-14		11031764	Coil kit, 24 volt	1
	M223	08-14		085043 (9004201-3700)	O-ring	1
	M224	08-14		732479 (9004105-0100)	O-ring	1



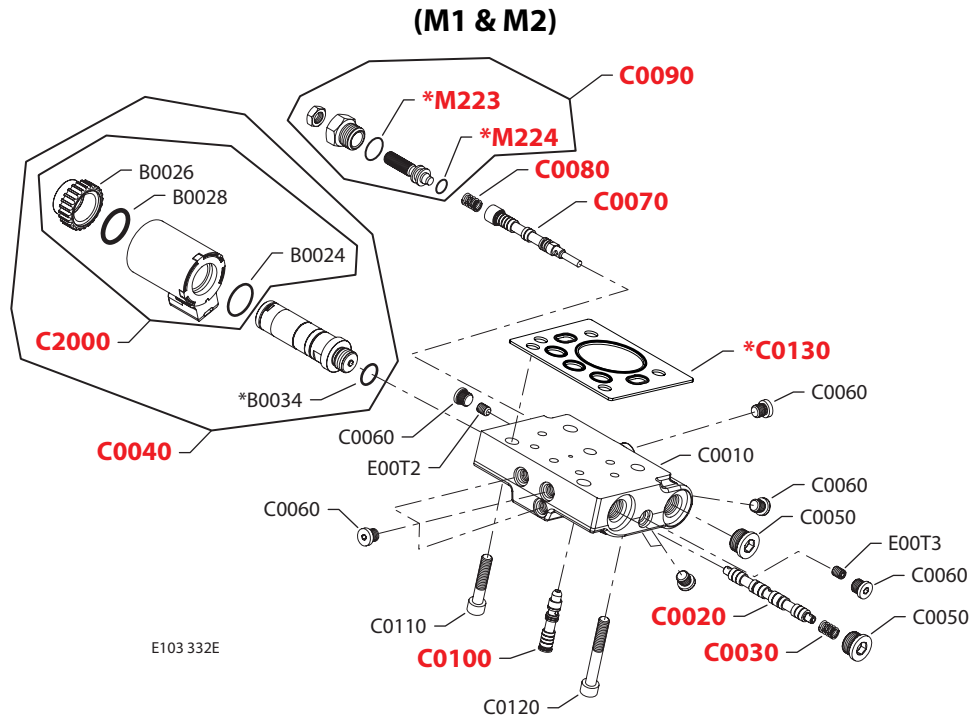
Servo pressure supply

Servo pressure supply

Order Code	Item	Date Begin	Date End	Part Number	Part Name	Qty. per Model/Kit	
KA	C0010	08-14		11026749	Control housing, proportional, PCOR	1	
	C0025	08-14		11000893	Shuttle valve assembly	1	
	C0050	08-14		140644	Plug assembly	2	
	C0060	08-14		11040532	Plug assembly	8	
	C0070	08-14		11026751	Spool	1	
	C0080	08-14		11067002	Spring	1	
	C0090	08-14		509360	Adjuster	1	
	C100	08-14		149041	Spool	1	
	C0110	08-14		710855	Screw, M8 x 35	2	
	C0120	08-14		746644 (9007314-0810)	Screw, M8 x 45	2	
	C0130	08-14		149040	Control seal	1	
	M223	08-14		085043 (9004201-3700)	O-ring	1	
	M224	08-14		732479 (9004105-0100)	O-ring	1	
	KH	C0010	15-48		11161283	Control housing, proportional, PCOR	1
		C0020	15-48		11151818	Spool	1
		C0050	15-48		140644	Plug assembly	1
C0060		15-48		11040532	Plug assembly	9	
C0070		15-48		11026751	Spool	1	
C0080		15-48		11067002	Spring	1	
C0090		15-48		509360	Adjuster	1	
C0100		15-48		149041	Spool	1	
C0110		15-48		710855	Screw, M8 x 35	2	
C0120		15-48		746644 (9007314-0810)	Screw, M8 x 45	2	
C0130		15-48		149040	Control seal	1	
C1400		15-48		11151817	Limiter plug	2	
M223		15-48		085043 (9004201-3700)	O-ring	1	
M224		15-48		732479 (9004105-0100)	O-ring	1	



Servo pressure supply



* = included in overhaul seal kit Q210

Enlarged **bold** type item numbers are recommended part to stock for servicing.

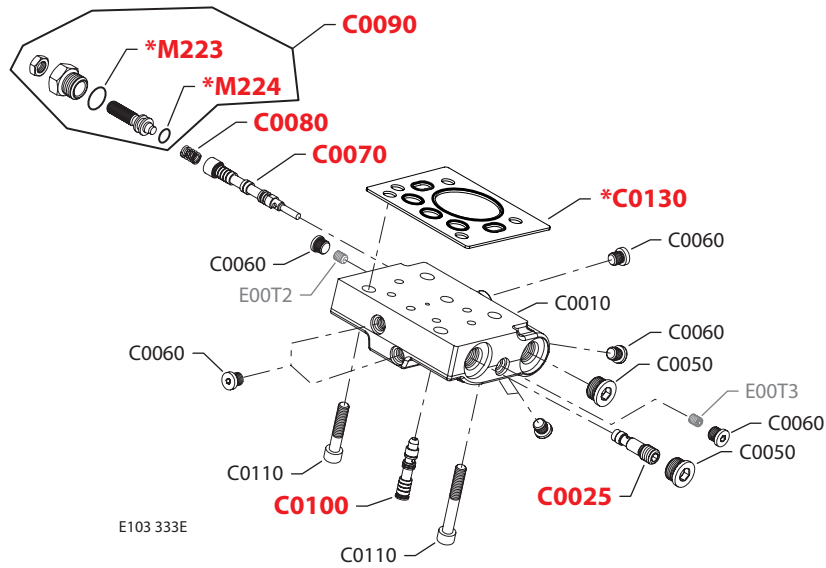

Servo pressure supply
Servo pressure supply

Order Code	Item	Date Begin	Date End	Part Number	Part Name	Qty. per Model/Kit
M1	B0024	08-14		11031608	O-ring	1
	B0026	08-14		11027046	Coil nut	1
	B0028	08-14		063172	O-ring	1
	B0034	08-14		085043 (9004201-3700)	O-ring	1
	C0010	08-14		11028958	Control housing, proportional, PCOR	1
	C0020	08-14		11026792	Spool	1
	C0030	08-14		11067002	Spring	1
	C0040	08-14		11013615	Solenoid, on/off, 12 volt	1
	C0050	08-14		140644	Plug assembly	2
	C0060	08-14		11040532	Plug assembly	9
	C0070	08-14		11028957	Spool	1
	C0080	08-14		11067002	Spring	1
	C0090	08-14		509360	Adjuster	1
	C0100	08-14		149041	Spool	1
	C0110	08-14		710855	Screw, M8 x 35	2
	C0120	08-14		746644 (9007314-0810)	Screw, M8 x 45	2
	C0130	08-14		149040	Control seal	1
	C2000	08-14		11031763	Coil kit, 12 volt	1
	M223	08-14		085043 (9004201-3700)	O-ring	1
	M224	08-14		732479 (9004105-0100)	O-ring	1
M2	B0024	08-14		11031608	O-ring	1
	B0026	08-14		11027046	Coil nut	1
	B0028	08-14		063172	O-ring	1
	B0034	08-14		085043 (9004201-3700)	O-ring	1
	C0010	08-14		11028958	Control housing, proportional, PCOR	1
	C0020	08-14		11026792	Spool	1
	C0030	08-14		11067002	Spring	1
	C0040	08-14		11013616	Solenoid, on/off, 24 volt	1
	C0050	08-14		140644	Plug assembly	2
	C0060	08-14		11040532	Plug assembly	9
	C0070	08-14		11028957	Spool	1
	C0080	08-14		11067002	Spring	1
	C0090	08-14		509360	Adjuster	1
	C0100	08-14		149041	Spool	1
	C0110	08-14		710855	Screw, M8 x 35	2
	C0120	08-14		746644 (9007314-0810)	Screw, M8 x 45	2
	C0130	08-14		149040	Control seal	1
	C2000	08-14		11031764	Coil kit, 24 volt	1
	M223	08-14		085043 (9004201-3700)	O-ring	1
	M224	08-14		732479 (9004105-0100)	O-ring	1

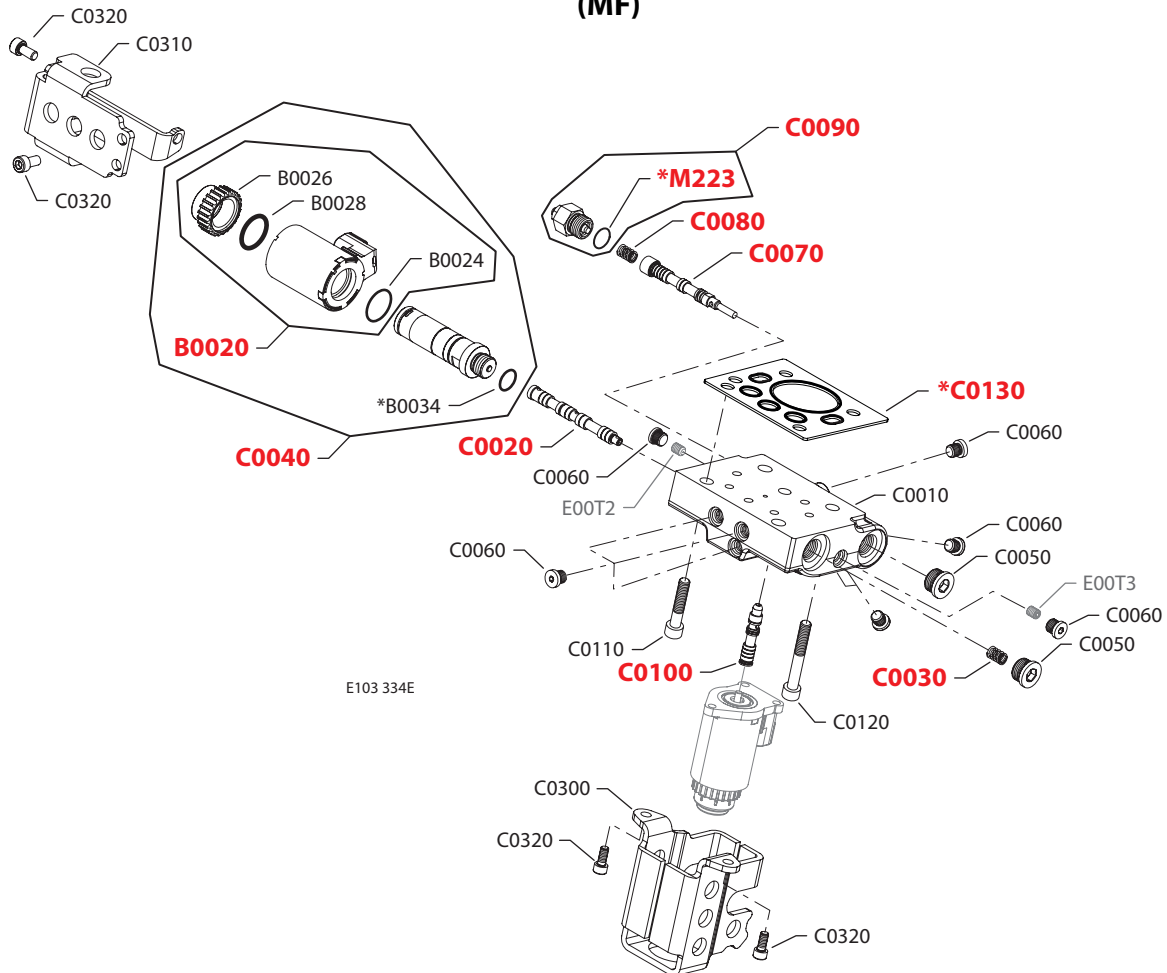


Servo pressure supply

(MA)



(MF)



* = included in overhaul seal kit Q210

Enlarged **bold** type item numbers are recommended part to stock for servicing.

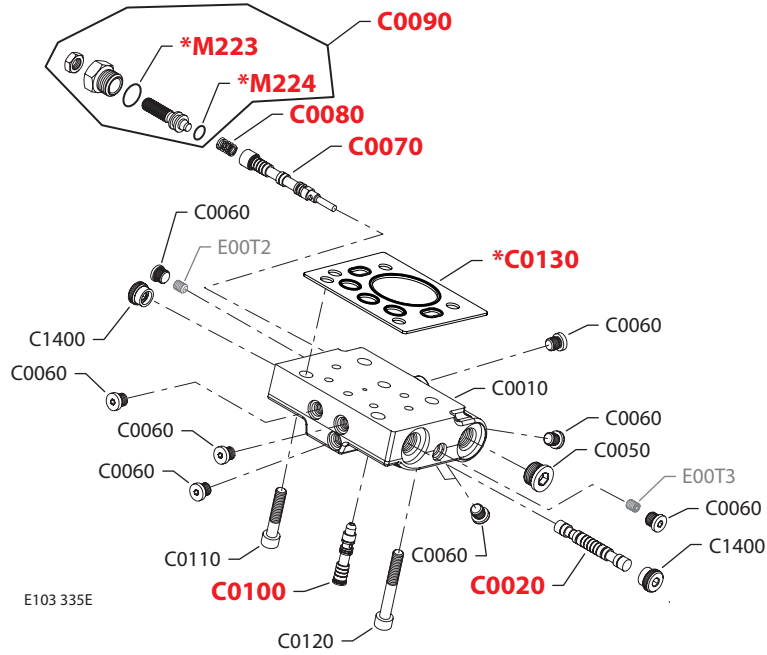

Servo pressure supply
Servo pressure supply

Order Code	Item	Date Begin	Date End	Part Number	Part Name	Qty. per Model/Kit
MA	C0010	08-14		11028959	Control housing, proportional, PCOR	1
	C0025	08-14		11000893	Spool	1
	C0050	08-14		140644	Plug assembly	2
	C0060	08-14		11040532	Plug assembly	8
	C0070	08-14		11028957	Spool	1
	C0080	08-14		11067002	Spring	1
	C0090	08-14		509360	Adjuster	1
	C0100	08-14		149041	Spool	1
	C0110	08-14		710855	Screw, M8 x 35	2
	C0120	08-14		746644 (9007314-0810)	Screw, M8 x 45	2
	C0130	08-14		149040	Control seal	1
	M223	08-14		085043 (9004201-3700)	O-ring	1
	M224	08-14		732479 (9004105-0100)	O-ring	1
	MF	B0020	12-05		11031763	Coil kit, 12 volt
B0024		12-05		11031608	O-ring	1
B0026		12-05		11027046	Coil nut	1
B0028		12-05		063172	O-ring	1
B0034		12-05		085043 (9004201-3700)	O-ring	1
C0010		12-05		11123556	Control housing, proportional, PCOR	1
C0020		12-05		11101616	Spool	1
C0030		12-05		11067002	Spring	1
C0040		12-05		11013615	Solenoid, on/off, 12 volt	1
C0050		12-05		140644	Plug assembly	2
C0060		12-05		11040532	Plug assembly	9
C0070		12-05		11028957	Spool	1
C0080		12-05		11067002	Spring	1
C0090		12-05		509360	Adjuster	1
C0100		12-05		149041	Spool	1
C0110		12-05		710855	Screw, M8 x 35	2
C0120		12-05		746644 (9007314-0810)	Screw, M8 x 45	2
C0130		12-05		149040	Control seal	1
C0300		12-05		11086158	Protective cover	1
C0310		12-05		11086159	Protective cover	1
C0320		12-05		395822	Screw, M6 x 12mm	4
M223		12-05		085043 (9004201-3700)	O-ring	1
M224		12-05		732479 (9004105-0100)	O-ring	1

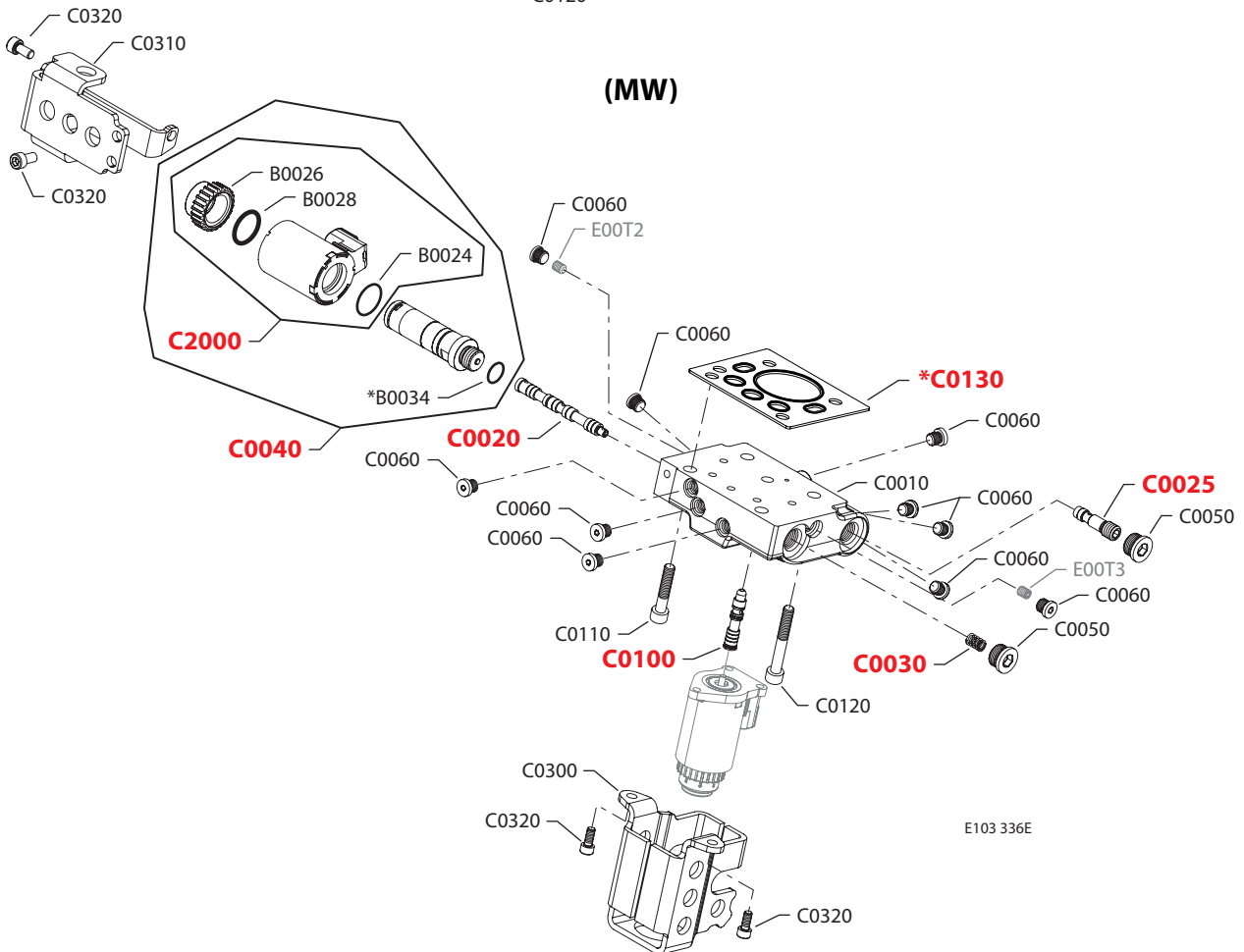


Servo pressure supply

(MH)



(MW)



* = included in overhaul seal kit Q210

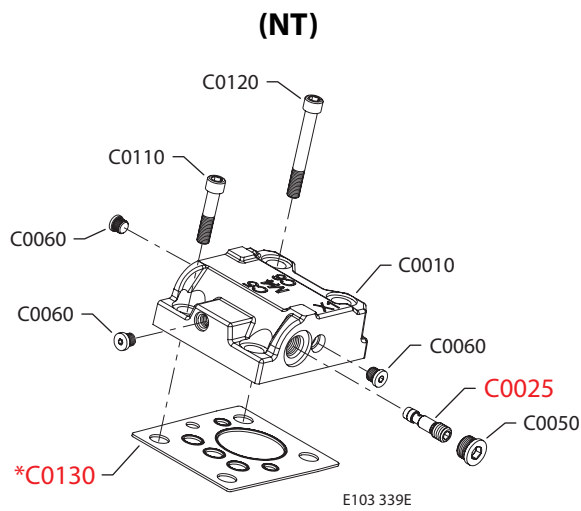
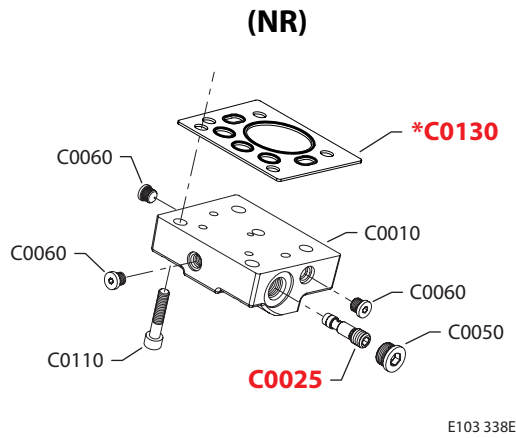
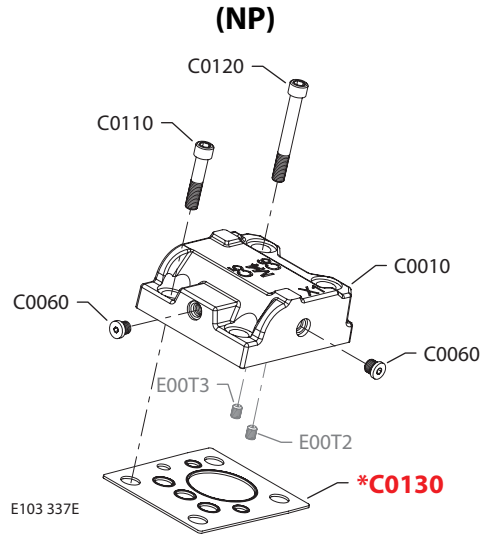
Enlarged **bold** type item numbers are recommended part to stock for servicing.


Servo pressure supply
Servo pressure supply

Order Code	Item	Date Begin	Date End	Part Number	Part Name	Qty. per Model/Kit
MH	C0010	14-37		11151816	Control housing, proportional, PCOR	1
	C0020	14-37		11151818	Spool	1
	C0050	14-37		140644	Plug assembly	1
	C0060	14-37		11040532	Plug assembly	9
	C0070	14-37		11028957	Spool	1
	C0080	14-37		11067002	Spring	1
	C0090	14-37		509360	Adjuster	1
	C0100	14-37		149041	Spool	1
	C0110	14-37		710855	Screw, M8 x 35	2
	C0120	14-37		746644 (9007314-0810)	Screw, M8 x 45	2
	C0130	14-37		149040	Control seal	1
	C1400	14-37		11151817	Limiter plug	2
	M223	14-37		085043 (9004201-3700)	O-ring	1
	M224	14-37		732479 (9004105-0100)	O-ring	1
MW	B0024	12-05		11031608	O-ring	1
	B0026	12-05		11027046	Coil nut	1
	B0028	12-05		063172	O-ring	1
	B0034	12-05		085043 (9004201-3700)	O-ring	1
	C0010	12-05		11101720	Control housing, proportional, PCOR	1
	C0020	12-05		11101616	Spool	1
	C0025	12-05		11000893	Shuttle valve assembly	1
	C0030	12-05		11067002	Spring	1
	C0040	12-05		11013615	Solenoid, on/off, 12 volt	1
	C0050	12-05		140644	Plug assembly	2
	C0060	12-05		11040532	Plug assembly	10
	C0100	12-05		149041	Spool	1
	C0110	12-05		710855	Screw, M8 x 35	2
	C0120	12-05		746644 (9007314-0810)	Screw, M8 x 45	2
	C0130	12-05		149040	Control seal	1
	C0300	12-05		11086158	Protective cover	1
	C0310	12-05		11086159	Protective cover	1
	C0320	12-05		395822	Screw, M6 x 12	4
	C2000	12-05		11031763	Coil kit, 12 volt	1



Servo pressure supply



* = included in overhaul seal kit Q210

Enlarged **bold** type item numbers are recommended part to stock for servicing.

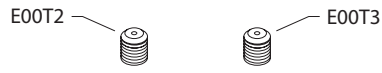

Servo pressure supply
Servo pressure supply

Order Code	Item	Date Begin	Date End	Part Number	Part Name	Qty. per Model/Kit
NP	C0010	08-14		11086116	Control housing, 2-position	1
	C0050	08-14		140644	Plug assembly	1
	C0060	08-14		11040532	Plug assembly	2
	C0110	08-14		737866 (9007314-1207)	Screw, M12 x 30	2
	C0120	08-14		283325 (9007314-1211)	Screw, M12 x 50	2
	C0130	08-14		11016168	Control seal	1
	NR	C0010	12-42		11123843	Control housing, proportional
C0025		12-42		11000893	Shuttle valve	1
C0050		12-42		140644	Plug assembly	1
C0060		12-42		11040532	Plug assembly	3
C0110		12-42		710855	Screw, M8 x 35	2
C0130		12-42		149040	Control seal	1
C0170		12-42		716860	Screw, M5 x 12	1
NT		C0010	12-42		11123847	Control housing, 2-position
	C0025	12-42		11000893	Shuttle valve	1
	C0050	12-42		140644	Plug assembly	1
	C0060	12-42		11040532	Plug assembly	3
	C0110	12-42		737866 (9007314-1207)	Screw, M12 x 30	2
	C0120	12-42		283325 (9007314-1211)	Screw, M12 x 50	2
	C0130	12-42		11016168	Control seal	1



Orifice

(A, C & D)



See servo pressure supply
drawing for orifice location

E101 607E



Orifice

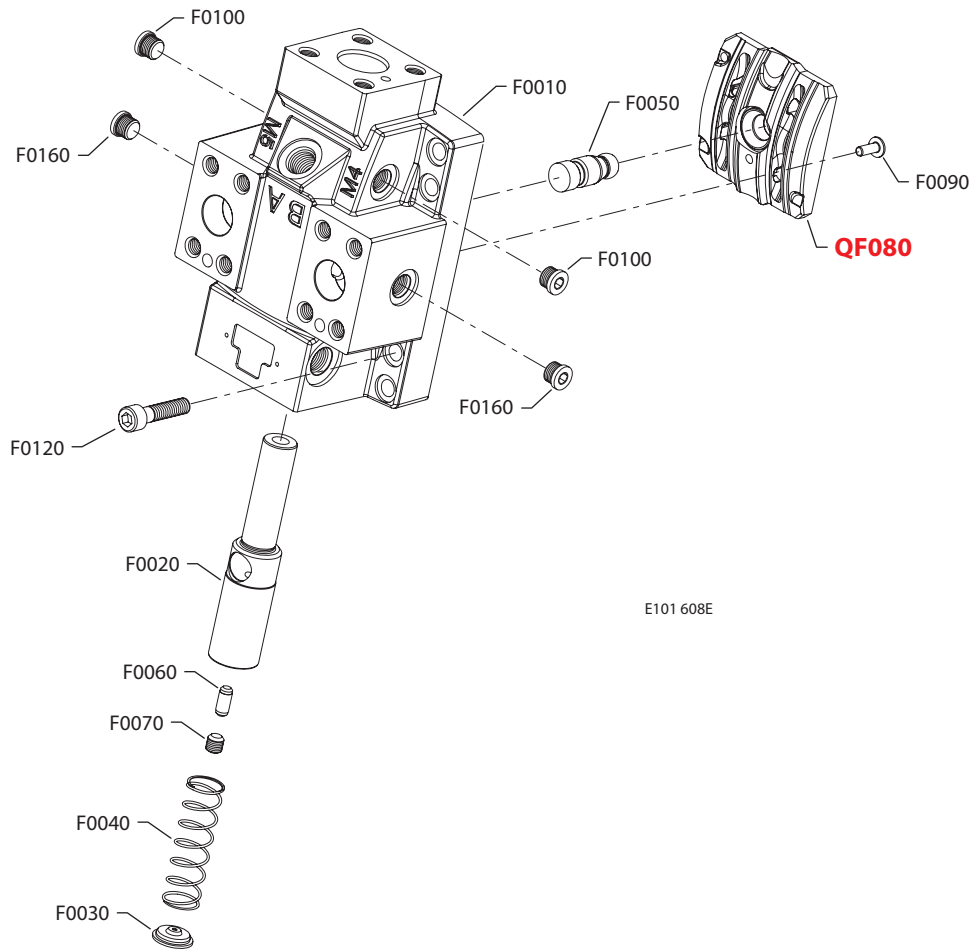
Orifice

Order Code	Item	Date Begin	Date End	Part Number	Part Name	Qty. per Model/Kit
A	E00T2	08-14		516598	Orifice plug, 1.2 mm	1
	E00T3	08-14		516598	Orifice plug, 1.2 mm	1
B	E00T2	08-14		578542	Orifice plug, 0.8 mm	1
	E00T3	08-14		578542	Orifice plug, 0.8 mm	1
C	E00T2	08-14		511825	Orifice plug, 0.6 mm	1
	E00T3	08-14		511825	Orifice plug, 0.6 mm	1
D	E00T2	08-14		679316	Orifice plug, 0.5 mm	1
	E00T3	08-14		679316	Orifice plug, 0.5 mm	1
N				None		



End cap

(PA)



E101 608E

Enlarged **bold** type item numbers are recommended part to stock for servicing.

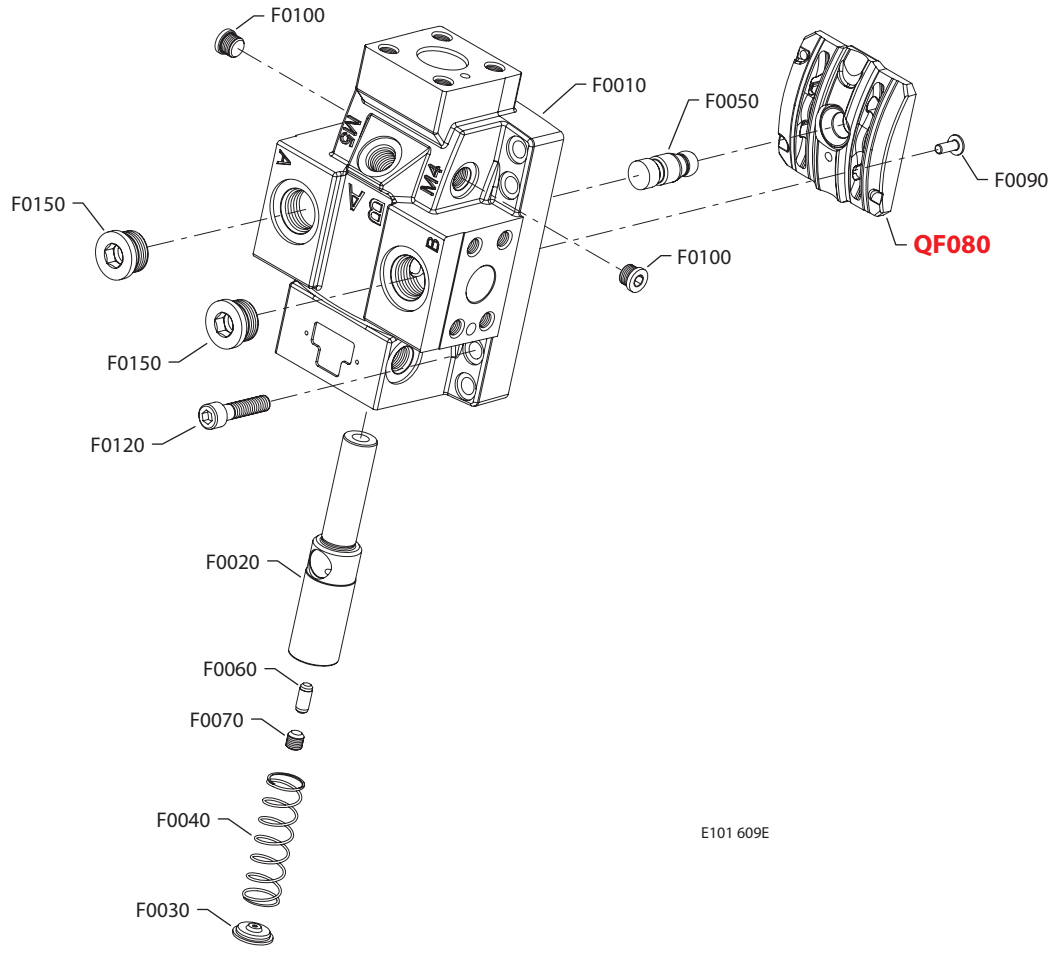

End cap
End cap

Order Code	Item	Date Begin	Date End	Part Number	Part Name	Qty. per Model/Kit	
PA	F0010	08-14		11004637	End cap, axial ports	1	
	F0020	08-14		11004621	Servo piston	1	
	F0030	08-14		11004794	Spring guide	1	
	F0040	08-14		11004885	Spring	1	
	F0050	08-14		11004619	Setting lug	1	
	F0060	08-14		11008915	Setting lug pin	1	
	F0070	08-14		042465	Set screw, M10 x 10	1	
	F0090	08-14		11014186	Button head screw	1	
	F0100	08-14		140644	Plug assembly	2	
	F0120	08-14		672295 (9007314-1010)	Screw, M10 x 45	8	
	F0160	08-14		140644	Plug assembly	2	
	QF080	08-14		11051882	Valve segment assembly	1	
	PA, metric	F0010	15-45		11166043	End cap, axial ports, metric	1
		F0020	15-45		11004621	Servo piston	1
F0030		15-45		11004794	Spring guide	1	
F0040		15-45		11004885	Spring	1	
F0050		15-45		11004619	Setting lug	1	
F0060		15-45		11008915	Setting lug pin	1	
F0070		15-45		042465	Set screw, M10 x 10	1	
F0090		15-45		11014186	Button head screw	1	
F0100		15-45		5000438	Plug assembly, M14	2	
F0120		15-45		672295 (9007314-1010)	Screw, M10 x 45	8	
F0160		15-45		5000438	Plug assembly, M14	2	
QF080		15-45		11051882	Valve segment assembly	1	



End cap

(PB)



E101 609E

Enlarged **bold** type item numbers are recommended part to stock for servicing.

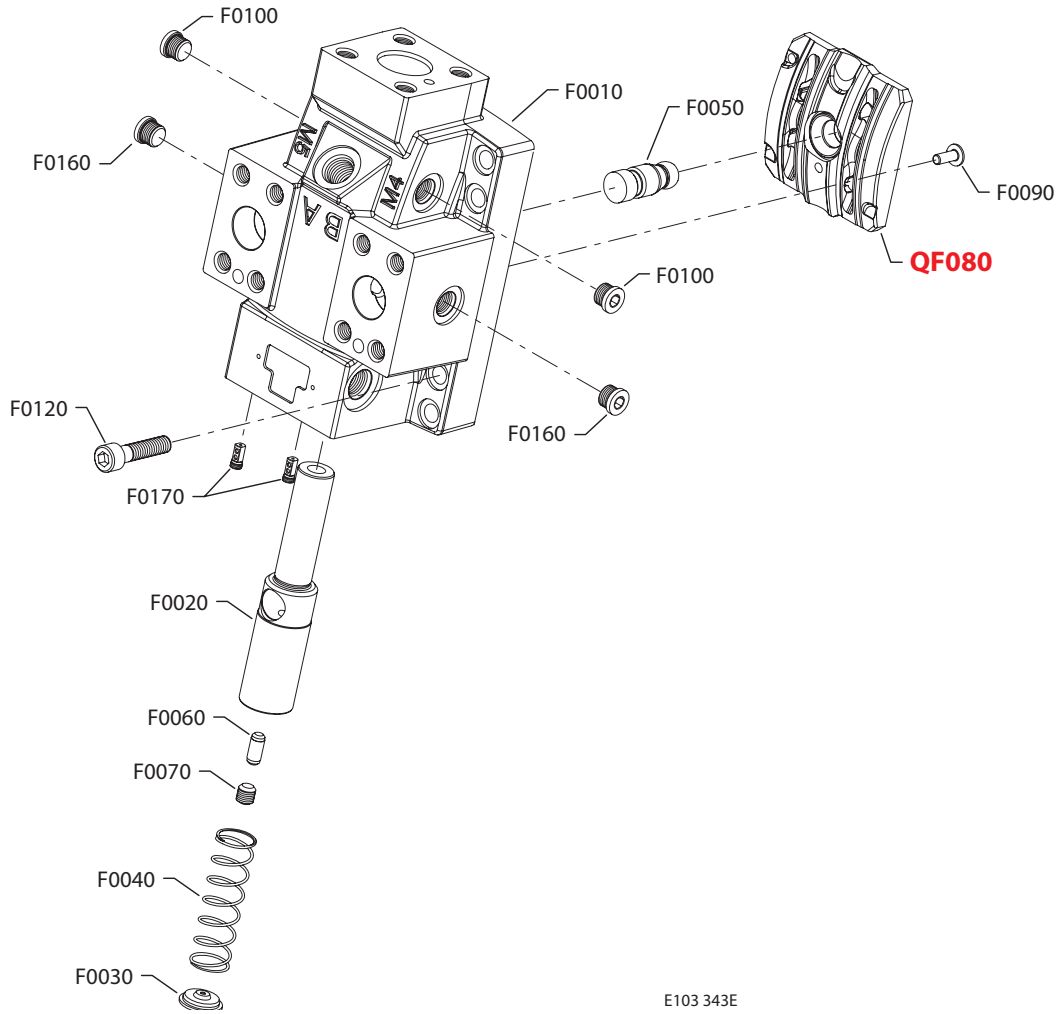

End cap
End cap

Order Code	Item	Date Begin	Date End	Part Number	Part Name	Qty. per Model/Kit	
PB	F0010	08-14		11010111	End cap, side ports	1	
	F0020	08-14		11004621	Servo piston	1	
	F0030	08-14		11004794	Spring guide	1	
	F0040	08-14		11004885	Spring	1	
	F0050	08-14		11004619	Setting lug	1	
	F0060	08-14		11008915	Setting lug pin	1	
	F0070	08-14		042465	Set screw, M10 x 10	1	
	F0090	08-14		11014186	Button head screw	1	
	F0100	08-14		140644	Plug assembly	2	
	F0120	08-14		672295 (9007314-1010)	Screw, M10 x 45	8	
	F0150	08-14		664524 (9005110-9000)	Plug assembly	2	
	QF080	08-14		11051882	Valve segment assembly	1	
	PB, metric	F0010	15-45		11161815	End cap, side ports, metric	1
		F0020	15-45		11004621	Servo piston	1
F0030		15-45		11004794	Spring guide	1	
F0040		15-45		11004885	Spring	1	
F0050		15-45		11004619	Setting lug	1	
F0060		15-45		11008915	Setting lug pin	1	
F0070		15-45		042465	Set screw, M10 x 10	1	
F0090		15-45		11014186	Button head screw	1	
F0100		15-45		5000438	Plug assembly, M14	2	
F0120		15-45		672295 (9007314-1010)	Screw, M10 x 45	8	
F0150		15-45		11134927	Plug assembly, M27	2	
QF080		15-45		11051882	Valve segment assembly	1	



End cap

(PC)



E103 343E

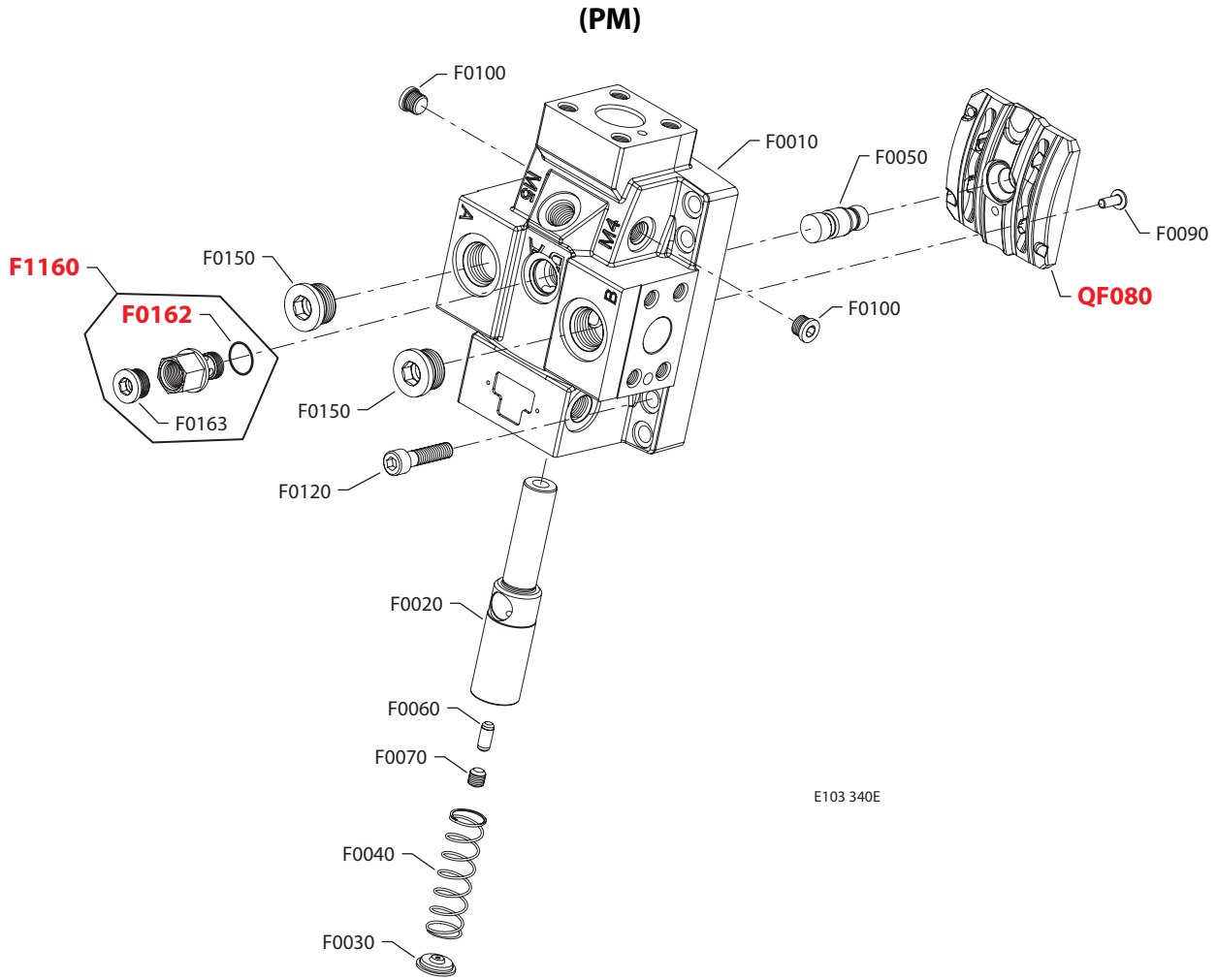
Enlarged **bold** type item numbers are recommended part to stock for servicing.


End cap
End cap

Order Code	Item	Date Begin	Date End	Part Number	Part Name	Qty. per Model/Kit
PC	F0010	12-25		11101353	End cap, axial ports	1
	F0020	12-25		11004621	Servo piston	1
	F0030	12-25		11004794	Spring guide	1
	F0040	12-25		11004885	Spring	1
	F0050	12-25		11004619	Setting lug	1
	F0060	12-25		11008915	Setting lug pin	1
	F0070	12-25		042465	Set screw, M10 x 10	1
	F0090	12-25		11014186	Button head screw	1
	F0100	12-25		140644	Plug assembly	2
	F0120	12-25		672295 (9007314-1010)	Screw, M10 x 45	8
	F0160	12-25		140644	Plug assembly	2
	F0170	12-25		11124768	Edge filter	2
	QF080	12-25		11051882	Valve segment assembly	1



End cap



E103 340E

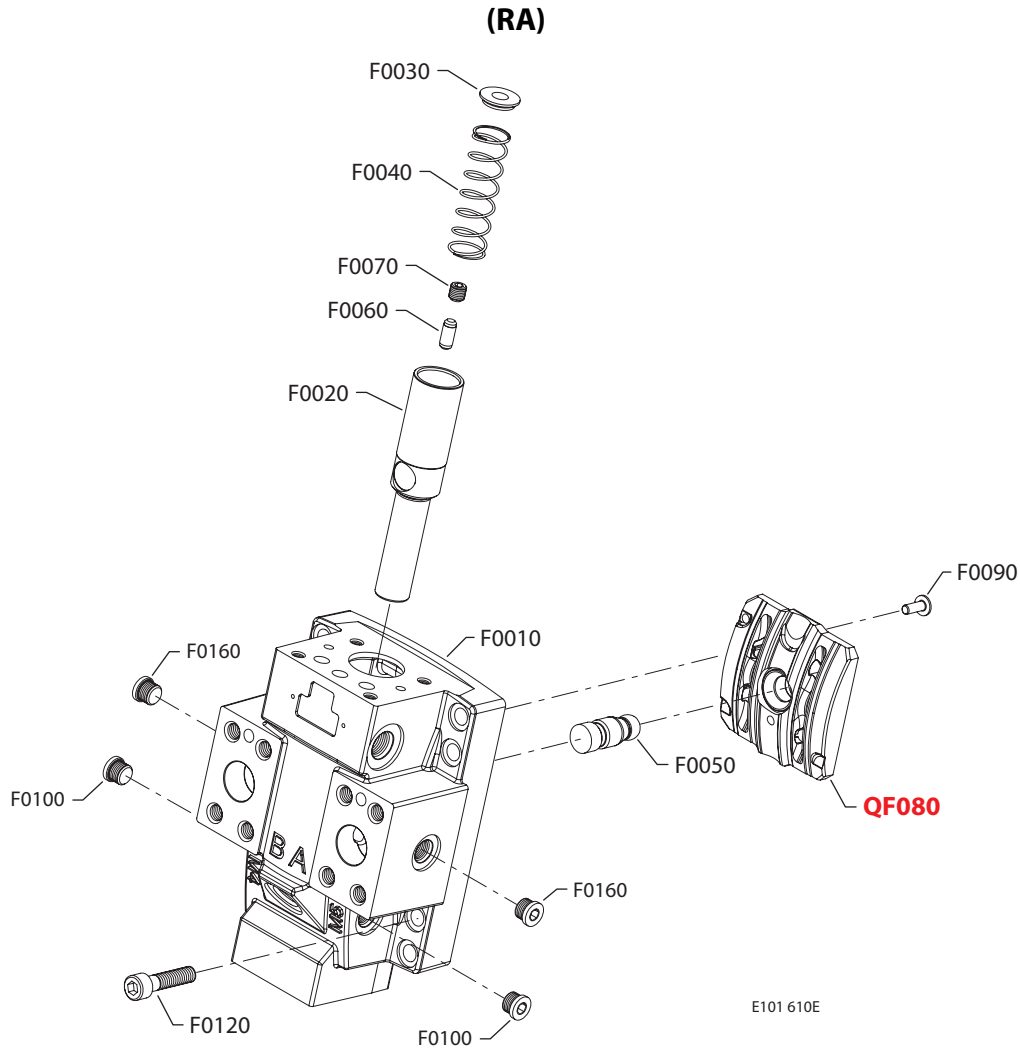
Enlarged **bold** type item numbers are recommended part to stock for servicing.


End cap
End cap

Order Code	Item	Date Begin	Date End	Part Number	Part Name	Qty. per Model/Kit
PM	F0010	12-03		11108198	End cap, side ports	1
	F0020	12-03		11004621	Servo piston	1
	F0030	12-03		11004794	Spring guide	1
	F0040	12-03		11004885	Spring	1
	F0050	12-03		11004619	Setting lug	1
	F0060	12-03		11008915	Setting lug pin	1
	F0070	12-03		042465	Set screw, M10 x 10	1
	F0090	12-03		11014186	Button head screw	1
	F0100	12-03		140644	Plug assembly	2
	F0120	12-03		672295 (9007314-1010)	Screw, M10 x 45	8
	F0150	12-03		664524 (9005110-9000)	Plug assembly	2
	F0162	12-03		001149 (9004201-6200)	O-ring	1
	F0163	12-03		9005110-7500	Plug assembly	1
	F1160	12-03		11108129	Loop flushing adapter assembly	1
	QF080	12-03		11051882	Valve segment assembly	1



End cap



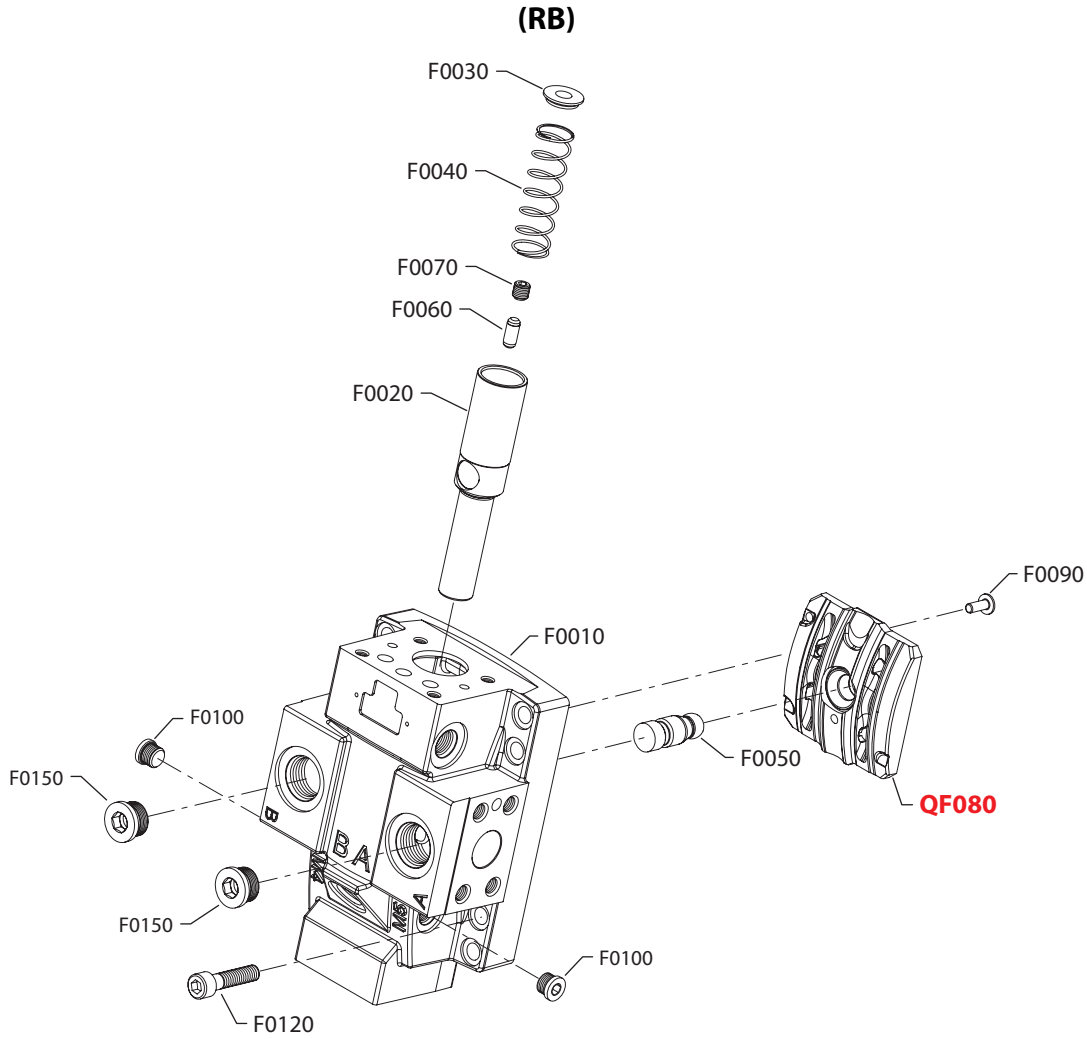
Enlarged **bold** type item numbers are recommended part to stock for servicing.


End cap
End cap

Order Code	Item	Date Begin	Date End	Part Number	Part Name	Qty. per Model/Kit
RA	F0010	08-14		11004637	End cap, axial ports	1
	F0020	08-14		11004621	Servo piston	1
	F0030	08-14		11004794	Spring guide	1
	F0040	08-14		11004885	Spring	1
	F0050	08-14		11004619	Setting lug	1
	F0060	08-14		11008915	Setting lug pin	1
	F0070	08-14		042465	Set screw, M10 x 10	1
	F0090	08-14		11014186	Button head screw	1
	F0100	08-14		140644	Plug assembly	2
	F0120	08-14		672295 (9007314-1010)	Screw, M10 x 45	8
	F0160	08-14		140644	Plug assembly	2
	QF080	08-14		11051882	Valve segment assembly	1
RA, metric	F0010	15-51		11166043	End cap, axial ports, metric	1
	F0020	15-51		11004621	Servo piston	1
	F0030	15-51		11004794	Spring guide	1
	F0040	15-51		11004885	Spring	1
	F0050	15-51		11004619	Setting lug	1
	F0060	15-51		11008915	Setting lug pin	1
	F0070	15-51		042465	Set screw, M10 x 10	1
	F0090	15-51		11014186	Button head screw	1
	F0100	15-51		5000438	Plug assembly, M14	2
	F0120	15-51		672295 (9007314-1010)	Screw, M10 x 45	8
	F0160	15-51		5000438	Plug assembly, M14	2
	QF080	15-51		11051882	Valve segment assembly	1



End cap



E101 611E

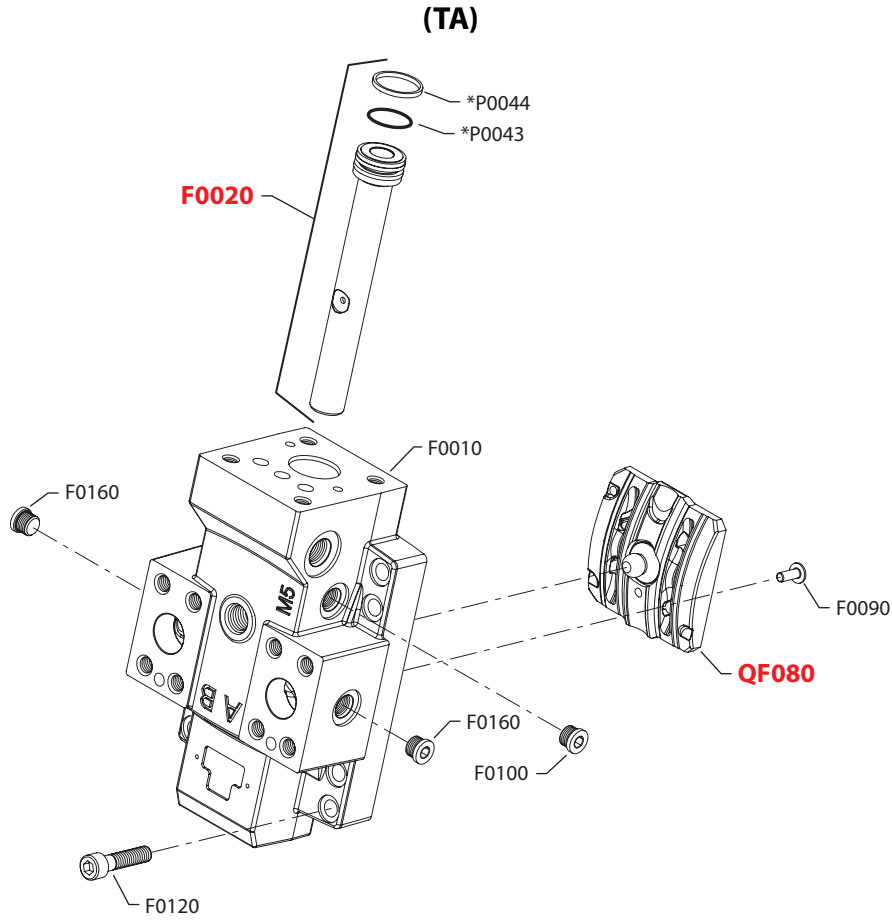
Enlarged **bold** type item numbers are recommended part to stock for servicing.


End cap
End cap

Order Code	Item	Date Begin	Date End	Part Number	Part Name	Qty. per Model/Kit
RB	F0010	08-14		11010111	End cap, side ports	1
	F0020	08-14		11004621	Servo piston	1
	F0030	08-14		11004794	Spring guide	1
	F0040	08-14		11004885	Spring	1
	F0050	08-14		11004619	Setting lug	1
	F0060	08-14		11008915	Setting lug pin	1
	F0070	08-14		042465	Set screw, M10 x 10	1
	F0090	08-14		11014186	Button head screw	1
	F0100	08-14		140644	Plug assembly	2
	F0120	08-14		672295 (9007314-1010)	Screw, M10 x 45	8
	F0150	08-14		664524 (9005110-9000)	Plug assembly	2
	QF080	08-14		11051882	Valve segment assembly	1



End cap

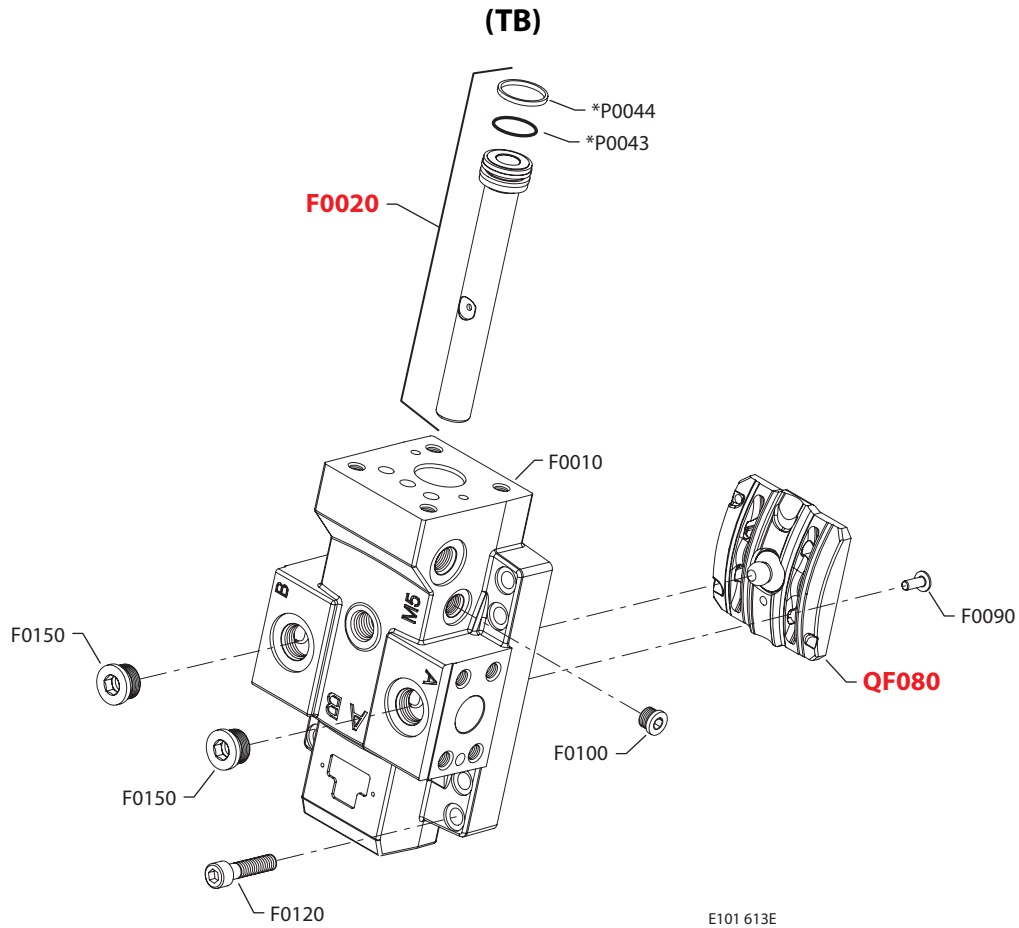


* = included in overhaul seal kit Q210

Enlarged **bold** type item numbers are recommended part to stock for servicing.


End cap
End cap

Order Code	Item	Date Begin	Date End	Part Number	Part Name	Qty. per Model/Kit
TA	F0010	08-14		11024201	End cap, axial ports	1
	F0020	08-14		11023129	Servo piston	1
	F0090	08-14		11014186	Button head screw	1
	F0100	08-14		140644	Plug assembly	1
	F0120	08-14		672295 (9007314-1010)	Screw, M10 x 45	8
	F0160	08-14		140644	Plug assembly	2
	P0043	08-14		504208	O-ring	1
	P0044	08-14		508136	Piston ring	1
	QF080	08-14		11051881	Valve segment assembly	1



* = included in overhaul seal kit Q210

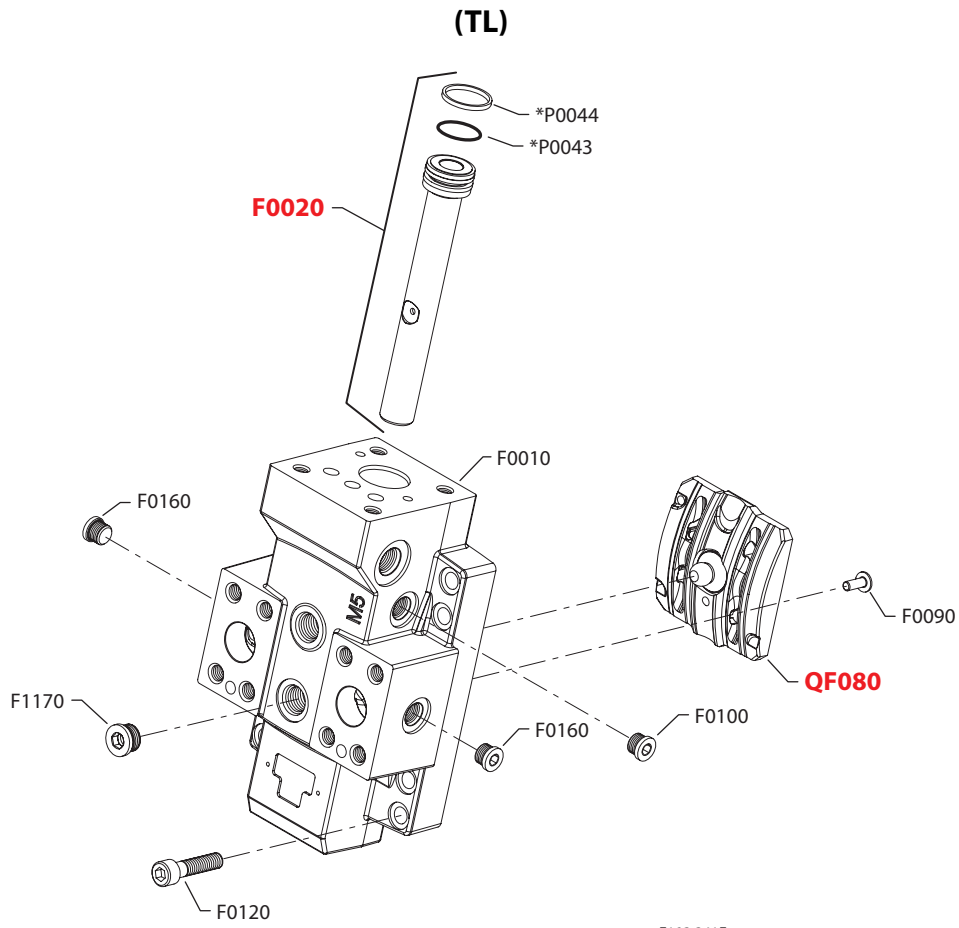
Enlarged **bold** type item numbers are recommended part to stock for servicing.


End cap

Order Code	Item	Date Begin	Date End	Part Number	Part Name	Qty. per Model/Kit
TB	F0010	08-14		11024212	End cap, side ports	1
	F0020	08-14		11023129	Servo piston	1
	F0090	08-14		11014186	Button head screw	1
	F0100	08-14		140644	Plug assembly	1
	F0120	08-14		672295 (9007314-1010)	Screw, M10 x 45	8
	F0150	08-14		664524 (9005110-9000)	Plug assembly	2
	P0043	08-14		504208	O-ring	1
	P0044	08-14		508136	Piston ring	1
	QF080	08-14		11051881	Valve segment assembly	1



End cap



* = included in overhaul seal kit Q210

Enlarged **bold** type item numbers are recommended part to stock for servicing.

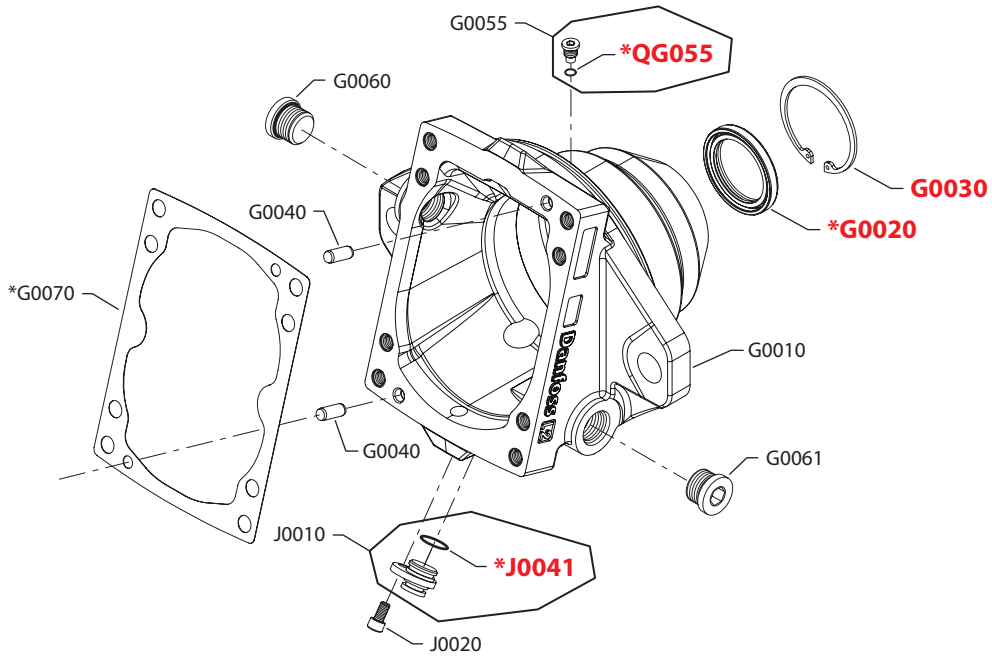

End cap
End cap

Order Code	Item	Date Begin	Date End	Part Number	Part Name	Qty. per Model/Kit
TL	F0010	09-05		11059617	End cap, axial ports	1
	F0020	09-05		11023129	Servo piston	1
	F0090	09-05		11014186	Button head screw	1
	F0100	09-05		140644	Plug assembly	1
	F0120	09-05		672295 (9007314-1010)	Screw, M10 x 45	8
	F0160	09-05		140644	Plug assembly	2
	F1170	09-05		315325 (9005110-8700)	Plug assembly	1
	P0043	09-05		504208	O-ring	1
	P0044	09-05		508136	Piston ring	1
	QF080	09-05		11051881	Valve segment assembly	1

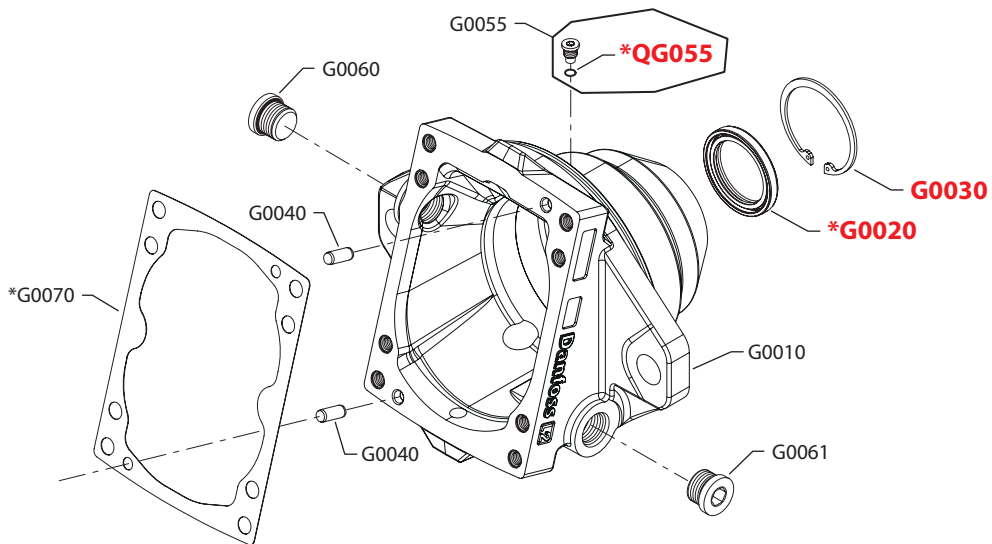


Flange/housing

(CN)



(CS)



E101 614E

* = included in overhaul seal kit Q210

Enlarged **bold** type item numbers are recommended part to stock for servicing.



Flange/housing

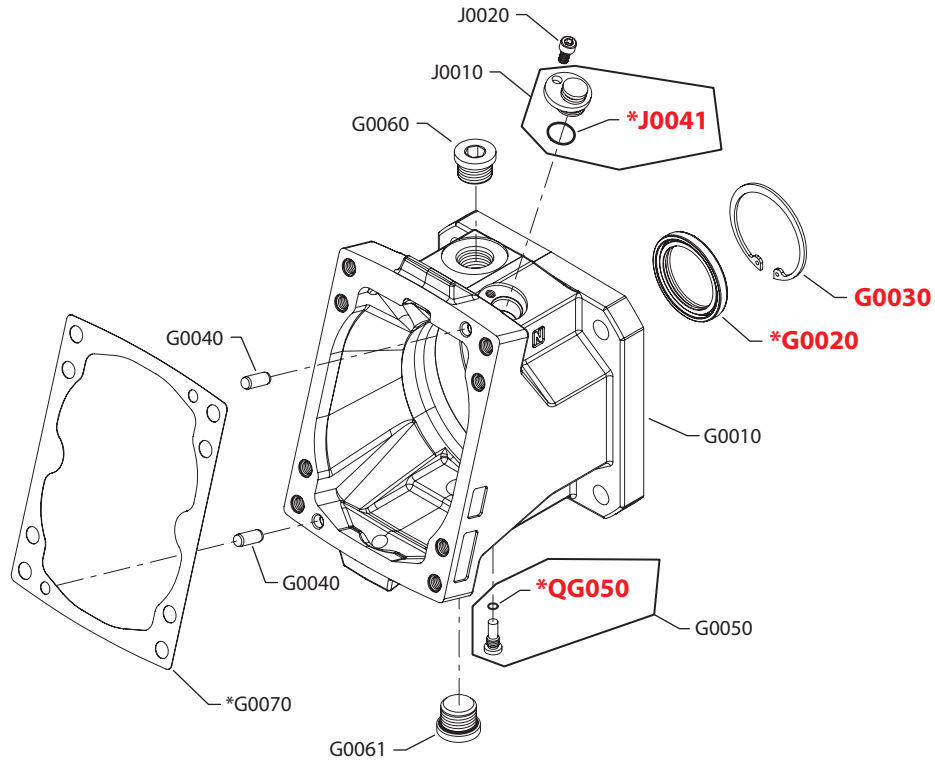
Cartridge flange/Housing

Order Code	Item	Date Begin	Date End	Part Number	Part Name	Qty. per Model/Kit	
CN	G0010	10-22		11078066	Housing, cartridge with speed sensor port	1	
	G0020	08-14		519021	Lip seal	1	
	G0030	08-14		915280	Retaining ring	1	
	G0040	08-14		11007677	Pin	2	
	G0055	10-22		11056747	Shaft locating plug assembly	1	
	G0055	08-14	10-21	327007 (9005110-4400)	Plug assembly	1	
	G0060	08-14		315325 (9005110-8700)	Plug assembly	1	
	G0061	08-14		315325 (9005110-8700)	Plug assembly	1	
	G0070	08-14		11098011	Gasket	1	
	J0010	08-14		11013290	Speed sensor plug assembly	1	
	J0020	08-14		395822 (9007315-0603)	Screw, M6 x 12	1	
	J0041	08-14		018499 (9004100-0160)	O-ring	1	
	QG055	10-22		039297 (9004201-1200)	O-ring	1	
	CS	G0010	10-22		11078066	Housing, cartridge with speed sensor port	1
G0020		08-14		519021	Lip seal	1	
G0030		08-14		915280	Retaining ring	1	
G0040		08-14		11007677	Pin	2	
G0055		10-22		11056747	Shaft locating plug assembly	1	
G0055		08-14	10-21	327007 (9005110-4400)	Plug assembly	1	
G0060		08-14		315325 (9005110-8700)	Plug assembly	1	
G0061		08-14		315325 (9005110-8700)	Plug assembly	1	
G0070		08-14		11098011	Gasket	1	
QG055		10-22		039297 (9004201-1200)	O-ring	1	
CS, metric		G0010	15-45		11161817	Housing, cartridge with speed sensor port, metric	1
		G0020	15-45		519021	Lip seal	1
		G0030	15-45		915280	Retaining ring	1
		G0040	15-45		11007677	Pin	2
	G0055	15-45		11056747	Shaft locating plug assembly	1	
	G0060	15-45		5000439	Plug assembly, M22	1	
	G0061	15-45		5000439	Plug assembly, M22	1	
	G0070	15-45		11098011	Gasket	1	
	QG055	15-45		039297 (9004201-1200)	O-ring	1	

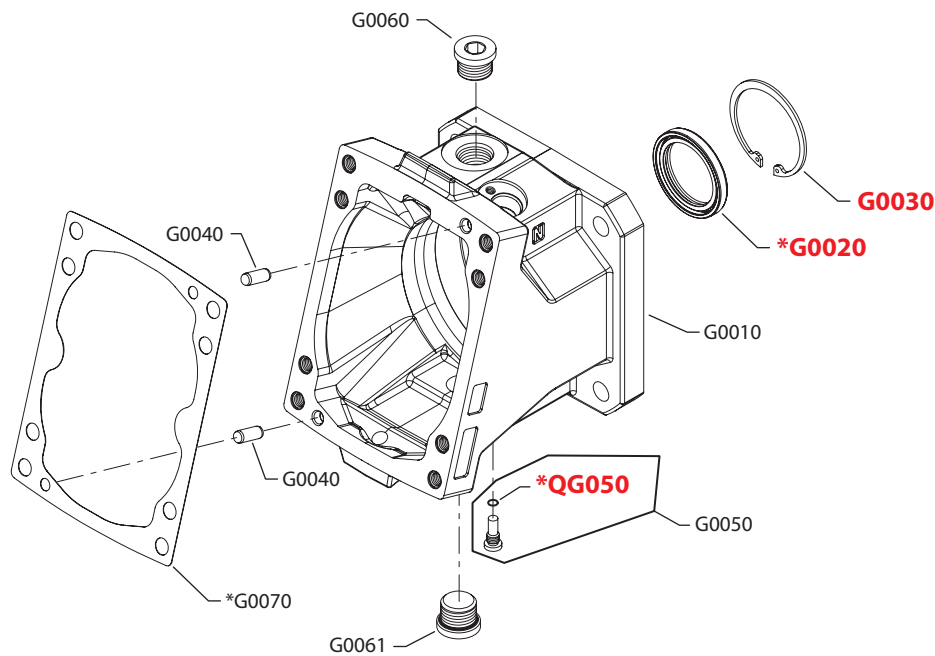


Flange/housing

(DN)



(DS)



* = included in overhaul seal kit Q210

E101 615E
Enlarged **bold** type item numbers are recommended part to stock for servicing.



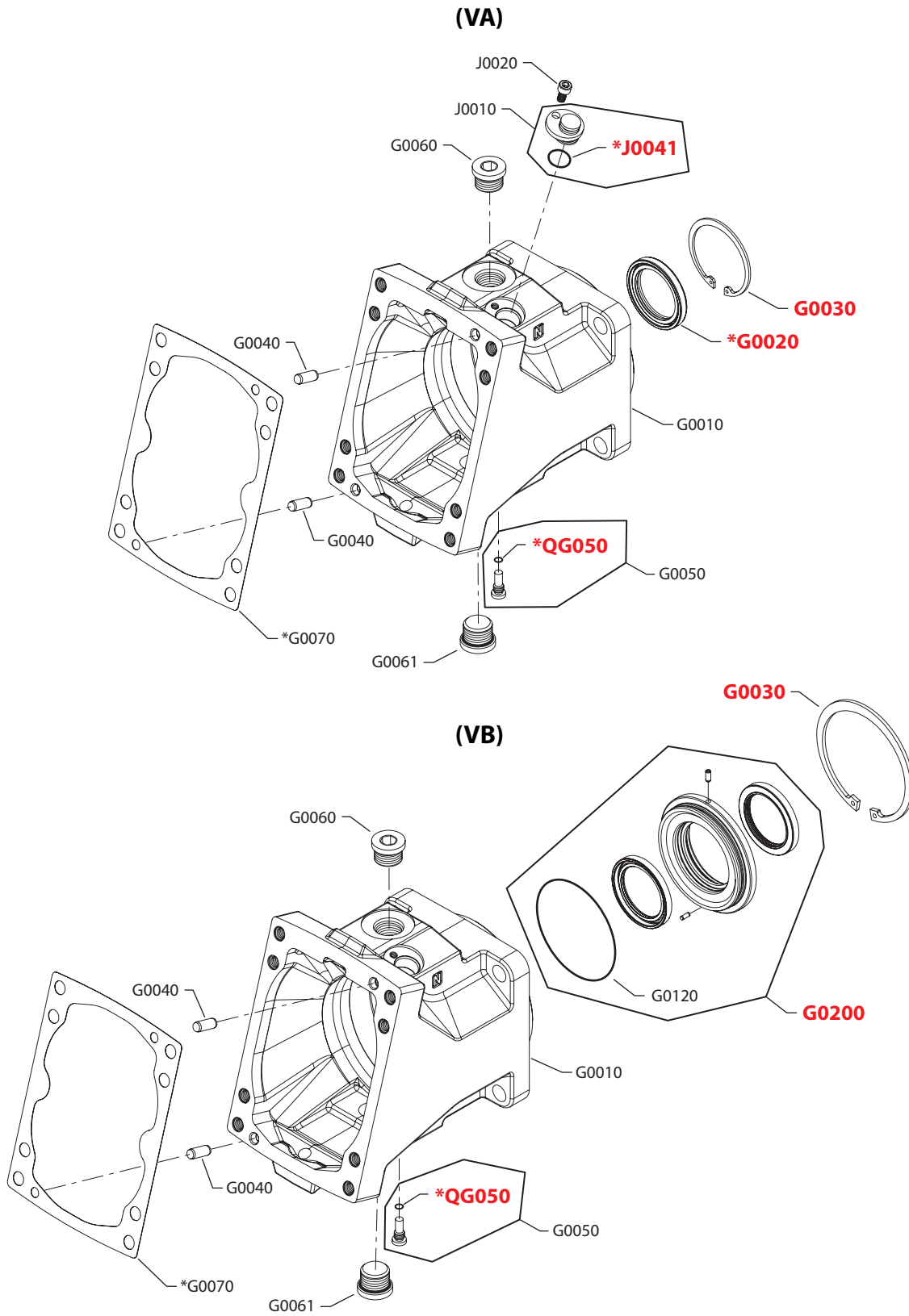
Flange/housing

DIN flange

Order Code	Item	Date Begin	Date End	Part Number	Part Name	Qty. per Model/Kit	
DN	G0010	10-20		11002768	Housing, DIN flange with speed sensor port	1	
	G0020	08-14		519021	Lip seal	1	
	G0030	08-14		915280	Retaining ring	1	
	G0040	08-14		11007677	Pin	2	
	G0050	10-20		11063948	Shaft locating plug assembly	1	
	G0050	08-14	10-19	11001378	Shaft locating plug assembly	1	
	G0060	08-14		315325 (9005110-8700)	Plug assembly	1	
	G0061	08-14		315325 (9005110-8700)	Plug assembly	1	
	G0070	08-14		11098011	Gasket	1	
	J0010	08-14		11013290	Speed sensor plug assembly	1	
	J0041	08-14		018499 (9004100-0160)	O-ring	1	
	J0020	08-14		395822 (9007315-0603)	Screw, M6 x 12	1	
	QG050	10-20		001123 (9004201-2500)	O-ring	1	
	QG050	08-14	10-19	039297 (9004201-1200)	O-ring	1	
	DS	G0010	10-20		11002768	Housing, DIN flange with speed sensor port	1
G0020		08-14		519021	Lip seal	1	
G0030		08-14		915280	Retaining ring	1	
G0040		08-14		11007677	Pin	2	
G0050		10-20		11063948	Shaft locating plug assembly	1	
G0050		08-14	10-19	11001378	Shaft locating plug assembly	1	
G0060		08-14		315325 (9005110-8700)	Plug assembly	1	
G0061		08-14		315325 (9005110-8700)	Plug assembly	1	
G0070		08-14		11098011	Gasket	1	
QG050		10-20		001123 (9004201-2500)	O-ring	1	
QG050		08-14	10-19	039297 (9004201-1200)	O-ring	1	
DS, metric		G0010	15-45		11166042	Housing, DIN flange with speed sensor port, metric	1
		G0020	15-45		519021	Lip seal	1
		G0030	15-45		915280	Retaining ring	1
		G0040	15-45		11007677	Pin	2
	G0050	15-45		11063948	Shaft locating plug assembly	1	
	G0060	15-45		5000439	Plug assembly, M22	1	
	G0061	15-45		5000439	Plug assembly, M22	1	
	G0070	15-45		11098011	Gasket	1	
	QG050	15-45		001123 (9004201-2500)	O-ring	1	



Flange/housing



* = included in overhaul seal kit Q210

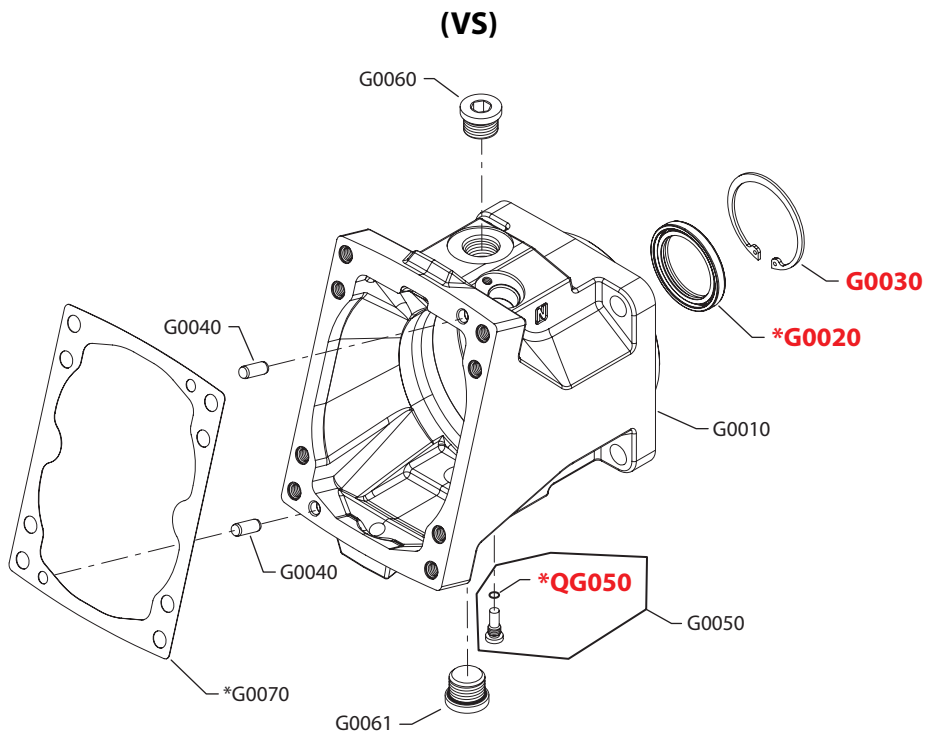
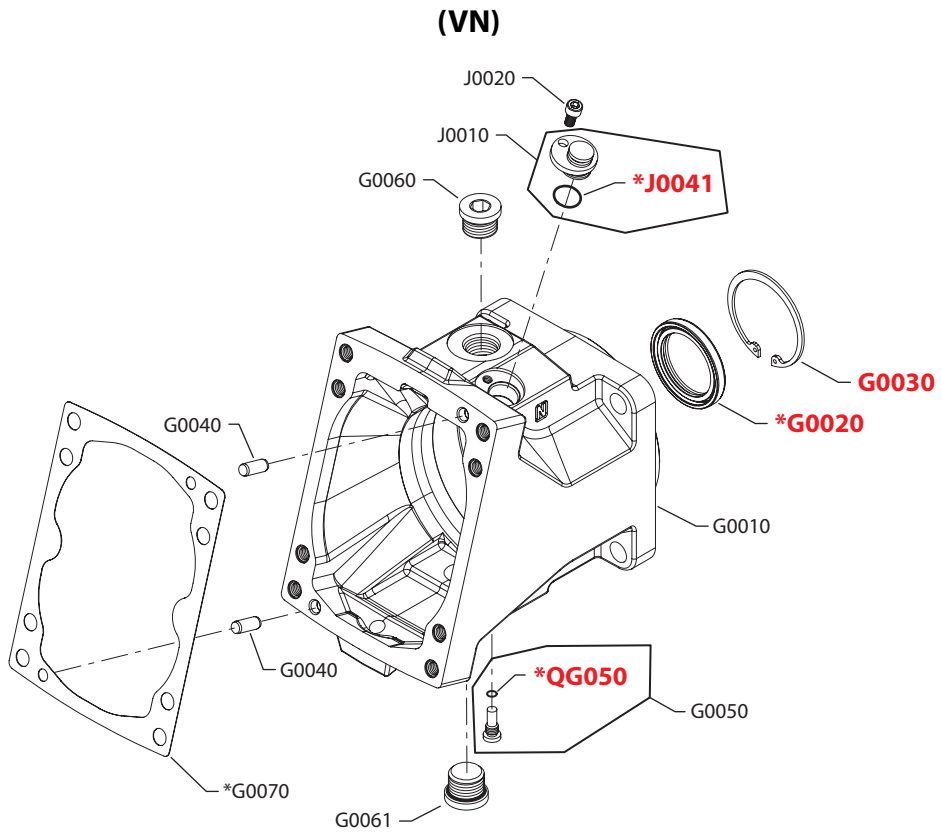
E103 349E
Enlarged **bold** type item numbers are recommended part to stock for servicing.


Flange/housing
SAE flange

Order Code	Item	Date Begin	Date End	Part Number	Part Name	Qty. per Model/Kit	
VA	G0010	10-14		11066910	Housing, SAE flange with speed sensor port	1	
	G0020	09-29		519021	Lip seal	1	
	G0030	09-29		915280	Retaining ring	1	
	G0040	09-29		11007677	Pin	2	
	G0050	10-14		11063948	Shaft locating plug assembly	1	
	G0050	09-29	10-13	11001378	Shaft locating plug assembly	1	
	G0060	09-29		315325 (9005110-8700)	Plug assembly	1	
	G0061	09-29		315325 (9005110-8700)	Plug assembly	1	
	G0070	09-29		11098011	Gasket	1	
	J0010	09-29		11013290	Speed sensor plug assembly	1	
	J0041	09-29		018499 (9004100-0160)	O-ring	1	
	J0020	09-29		395822 (9007315-0603)	Screw, M6 x 12	1	
	QG050	10-14		001123 (9004201-2500)	O-ring	1	
	QG050	09-29	10-13	039297 (9004201-1200)	O-ring	1	
	VB	G0010	11-13		11095940	Housing, SAE flange with speed sensor port	1
		G0030	11-13		392472	Retaining ring	1
		G0040	11-13		11007677	Pin	2
G0050		11-13		11063948	Shaft locating plug assembly	1	
G0060		11-13		315325 (9005110-8700)	Plug assembly	1	
G0061		11-13		315325 (9005110-8700)	Plug assembly	1	
G0070		11-13		11098011	Gasket	1	
G0120		11-13		11114413	O-ring	1	
G0200		11-13		11095939	Seal carrier assembly	1	
QG050		11-13		001123 (9004201-2500)	O-ring	1	



Flange/housing



* = included in overhaul seal kit Q210

E101 616E
Enlarged **bold** type item numbers are recommended part to stock for servicing.

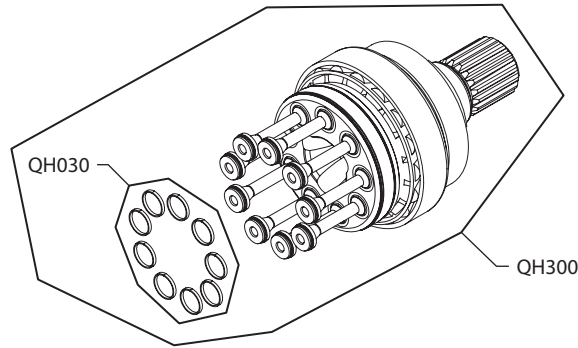

Flange/housing
SAE flange

Order Code	Item	Date Begin	Date End	Part Number	Part Name	Qty. per Model/Kit	
VN	G0010	10-24		11002766	Housing, SAE flange with speed sensor port	1	
	G0020	08-14		519021	Lip seal	1	
	G0030	08-14		915280	Retaining ring	1	
	G0040	08-14		11007677	Pin	2	
	G0050	10-24		11063948	Shaft locating plug assembly	1	
	G0050	08-14	10-23	11001378	Shaft locating plug assembly	1	
	G0060	08-14		315325 (9005110-8700)	Plug assembly	1	
	G0061	08-14		315325 (9005110-8700)	Plug assembly	1	
	G0070	08-14		11098011	Gasket	1	
	J0010	08-14		11013290	Speed sensor plug assembly	1	
	J0041	08-14		018499 (9004100-0160)	O-ring	1	
	J0020	08-14		395822 (9007315-0603)	Screw, M6 x 12	1	
	QG050	10-24		001123 (9004201-2500)	O-ring	1	
	QG050	08-14	10-23	039297 (9004201-1200)	O-ring	1	
	VS	G0010	08-14		11002766	Housing, SAE flange with speed sensor port	1
		G0020	08-14		519021	Lip seal	1
G0030		08-14		915280	Retaining ring	1	
G0040		08-14		11007677	Pin	2	
G0050		10-24		11063948	Shaft locating plug assembly	1	
G0050		08-14	10-23	11001378	Shaft locating plug assembly	1	
G0060		08-14		315325 (9005110-8700)	Plug assembly	1	
G0061		08-14		315325 (9005110-8700)	Plug assembly	1	
G0070		08-14		11098011	Gasket	1	
QG050		10-24		001123 (9004201-2500)	O-ring	1	
QG050		08-14	10-23	039297 (9004201-1200)	O-ring	1	
VS, metric		G0010	15-51		11174592	Housing, SAE flange with speed sensor port, metric	1
		G0020	15-51		519021	Lip seal	1
		G0030	15-51		915280	Retaining ring	1
		G0040	15-51		11007677	Pin	2
		G0050	15-51		11063948	Shaft locating plug assembly	1
	G0060	15-51		5000439	Plug assembly, M22	1	
	G0061	15-51		5000439	Plug assembly, M22	1	
	G0070	15-51		11098011	Gasket	1	
	QG050	15-51		001123 (9004201-2500)	O-ring	1	

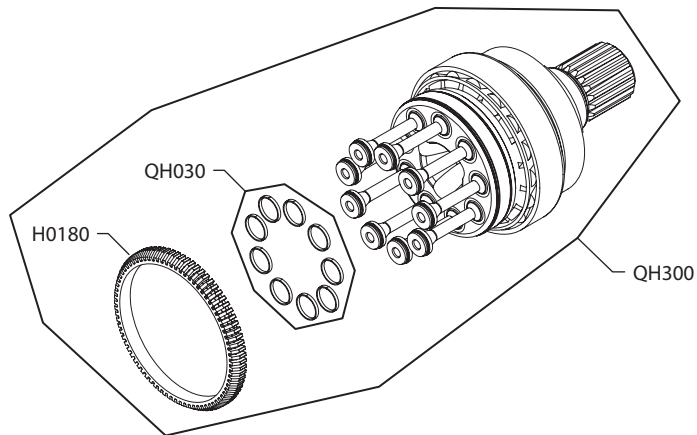


Shaft

(AN, BN, CN, HN & JN)



(AS, BS, CS, HS, JS & OS)



E103 470E

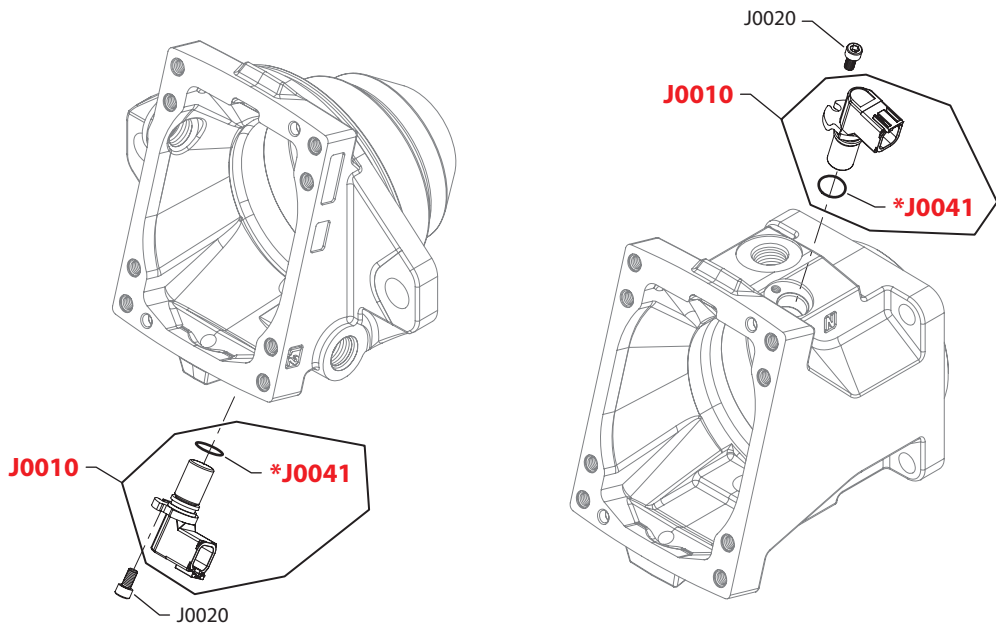

Shaft
Shaft

Order Code	Item	Date Begin	Date End	Part Number	Part Name	Qty. per Model/Kit
AN	QH030	08-14		11174675	Piston ring kit	1
	QH300	08-14		11050519	Shaft assembly, 14 tooth, 12/24 pitch	1
AS	H0180	08-14		11001958	Speed ring	1
	QH030	08-14		11174675	Piston ring kit	1
	QH300	08-14		11050518	Shaft assembly, 14 tooth, 12/24 pitch, speed ring	1
BN	QH030	13-29		11174675	Piston ring kit	1
	QH300	13-29		11117455	Shaft assembly, 21 tooth, 12/24 pitch	1
BS	H0180	13-29		11001958	Speed ring	1
	QH030	13-29		11174675	Piston ring kit	1
	QH300	13-29		11117454	Shaft assembly, 21 tooth, 12/24 pitch, speed ring	1
CN	QH030	13-29		11174675	Piston ring kit	1
	QH300	08-14		11121851	Shaft assembly, 23 tooth	1
CS	H0180	13-29		11001958	Speed ring	1
	QH030	13-29		11174675	Piston ring kit	1
	QH300	08-14		11121863	Shaft assembly, 23 tooth, speed ring	1
HN	QH030	13-29		11174675	Piston ring kit	1
	QH300	08-14		11050517	Shaft assembly, 16 tooth, DIN	1
HS	H0180	13-29		11001958	Speed ring	1
	QH030	13-29		11174675	Piston ring kit	1
	QH300	08-14		11050516	Shaft assembly, 16 tooth, DIN, speed ring	1
JN	QH030	13-29		11174675	Piston ring kit	1
	QH300	08-14		11050514	Shaft assembly, 18 tooth, DIN	1
JS	H0180	13-29		11001958	Speed ring	1
	QH030	13-29		11174675	Piston ring kit	1
	QH300	08-14		11050513	Shaft assembly, 18 tooth, DIN, speed ring	1
OS	H0180	13-29		11001958	Speed ring	1
	QH030	13-29		11174675	Piston ring kit	1
	QH300	08-14		11095815	Shaft assembly, 14 tooth, speed ring	1

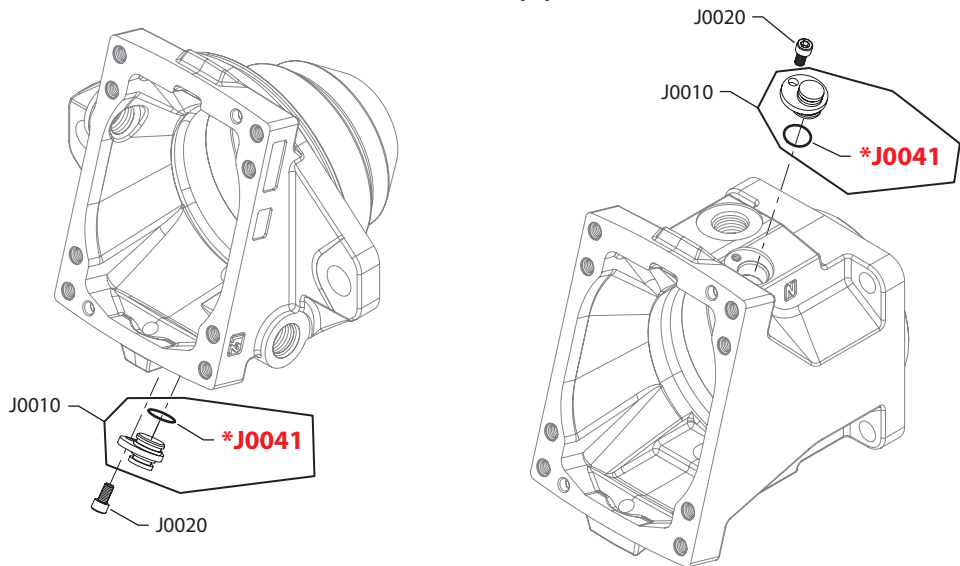


Speed sensing

(B, C & S)



(P)



E101 617E

* = included in base motor seal kit Q210

Enlarged **bold** type item numbers are recommended part to stock for servicing.

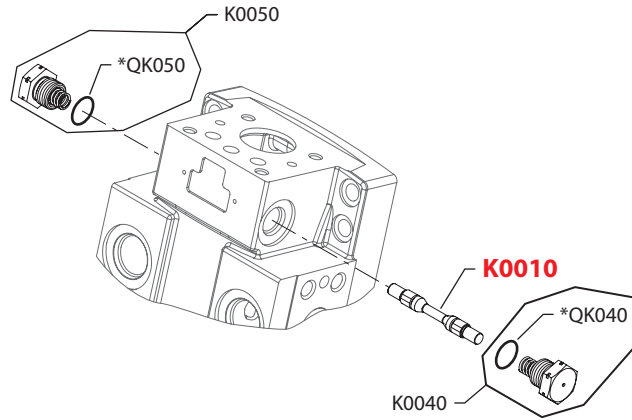

Speed sensing
Speed sensing

Order Code	Item	Date Begin	Date End	Part Number	Part Name	Qty. per Model/Kit
B	J0010	12-15		11102032	Speed sensor assembly	1
	J0020	12-15		395822 (9007315-0603)	Screw, M6 x 12	1
	J0041	12-15		018499 (9004100-0160)	O-ring	1
C	J0010	14-41		11157520	Speed sensor assembly	1
	J0020	14-41		395822 (9007315-0603)	Screw, M6 x 12	1
	J0041	14-41		018499 (9004100-0160)	O-ring	1
N				None		
P	J0010	08-14		11013290	Speed sensor plug assembly	1
	J0020	08-14		395822 (9007315-0603)	Screw, M6 x 12	1
	J0041	08-14		018499 (9004100-0160)	O-ring	1
S	J0010	08-14		149055	Speed sensor assembly	1
	J0020	08-14		395822 (9007315-0603)	Screw, M6 x 12	1
	J0041	08-14		018499 (9004100-0160)	O-ring	1

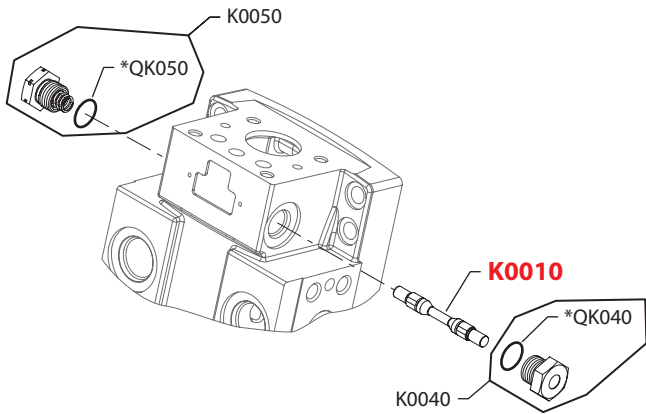


Loop flushing

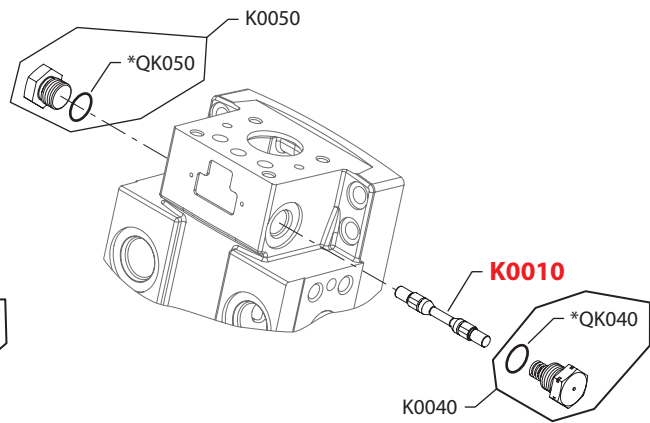
(A & N)



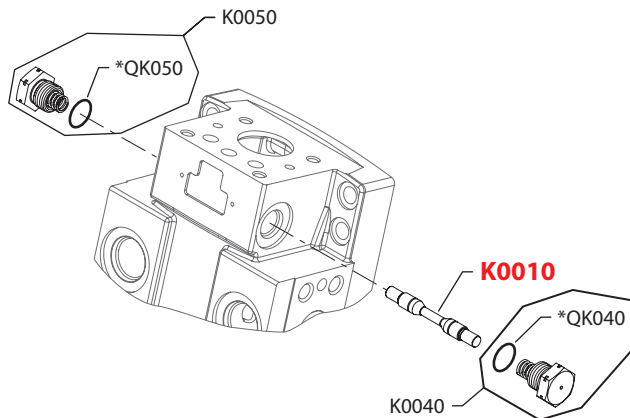
(C)



(D)



(E)



E101 990E

* = included in base motor seal kit Q210

Enlarged **bold** type item numbers are recommended part to stock for servicing.



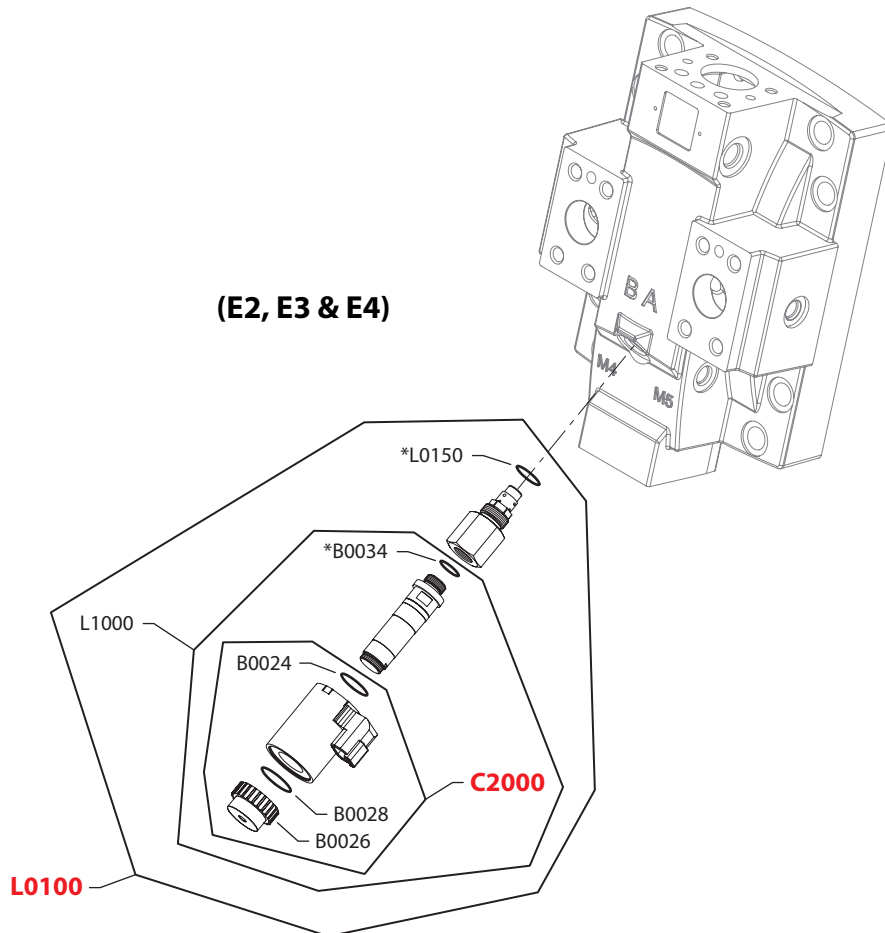
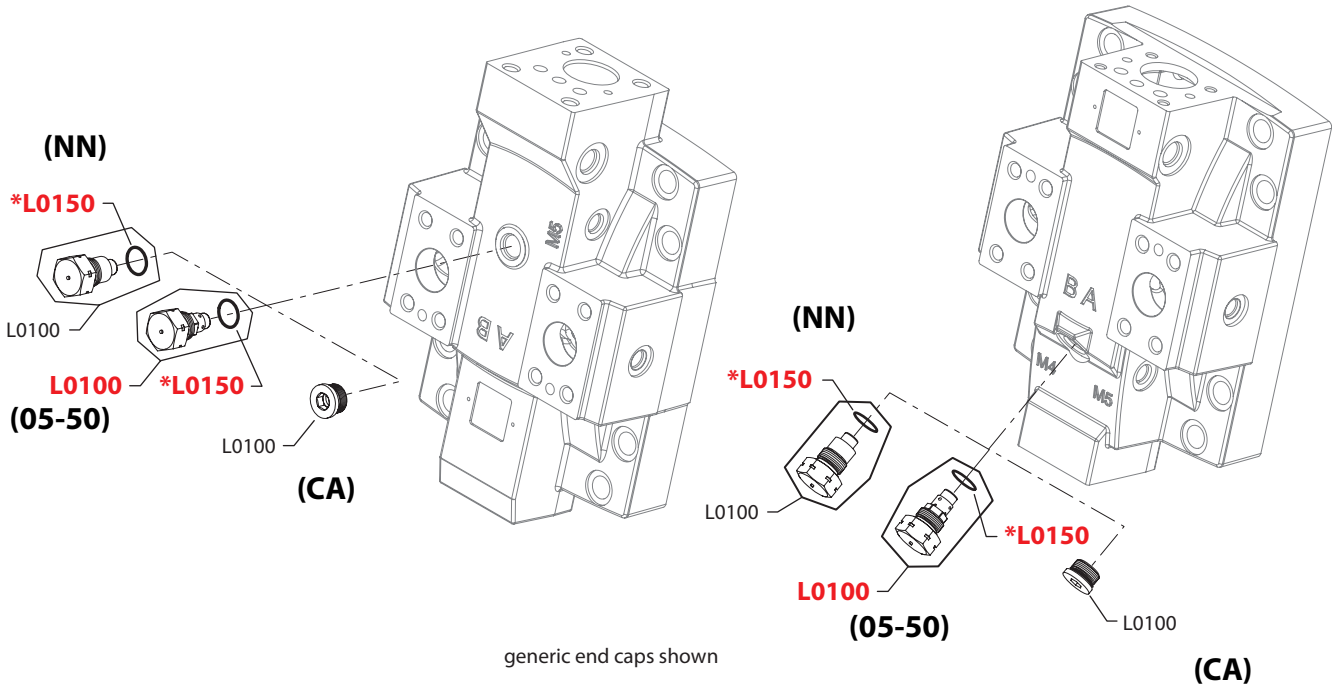
Loop flushing

Loop flushing shuttle system

Order Code	Item	Date Begin	Date End	Part Number	Part Name	Qty. per Model/Kit
A	K0010	08-14		11031106	Spool	1
	K0040	08-14		11160780	Plug/spring assembly	1
	K0050	08-14		11160780	Plug/spring assembly	1
	QK040	08-14		149052	O-ring	1
	QK050	08-14		149052	O-ring	1
C	K0010	12-15		11031106	Spool	1
	K0040	12-15		11115123	Plug/spring assembly	1
	K0050	12-15		11160780	Plug/spring assembly	1
	QK040	12-15		149052	O-ring	1
	QK050	12-15		149052	O-ring	1
D	K0010	12-15		11031106	Spool	1
	K0040	12-15		11160780	Plug/spring assembly	1
	K0050	12-15		11115123	Plug/spring assembly	1
	QK040	12-15		149052	O-ring	1
	QK050	12-15		149052	O-ring	1
E	K0010	14-41		11157411	Spool	1
	K0040	14-41		11160780	Plug/spring assembly	1
	K0050	14-41		11160780	Plug/spring assembly	1
	QK040	14-41		149052	O-ring	1
	QK050	14-41		149052	O-ring	1
N	K0010	08-14		11031106	Spool	1
	K0040	08-14		11160780	Plug/spring assembly	1
	K0050	08-14		11160780	Plug/spring assembly	1
	QK040	08-14		149052	O-ring	1
	QK050	08-14		149052	O-ring	1



Loop flushing



* = included in overhaul seal kit Q210

E103 344E

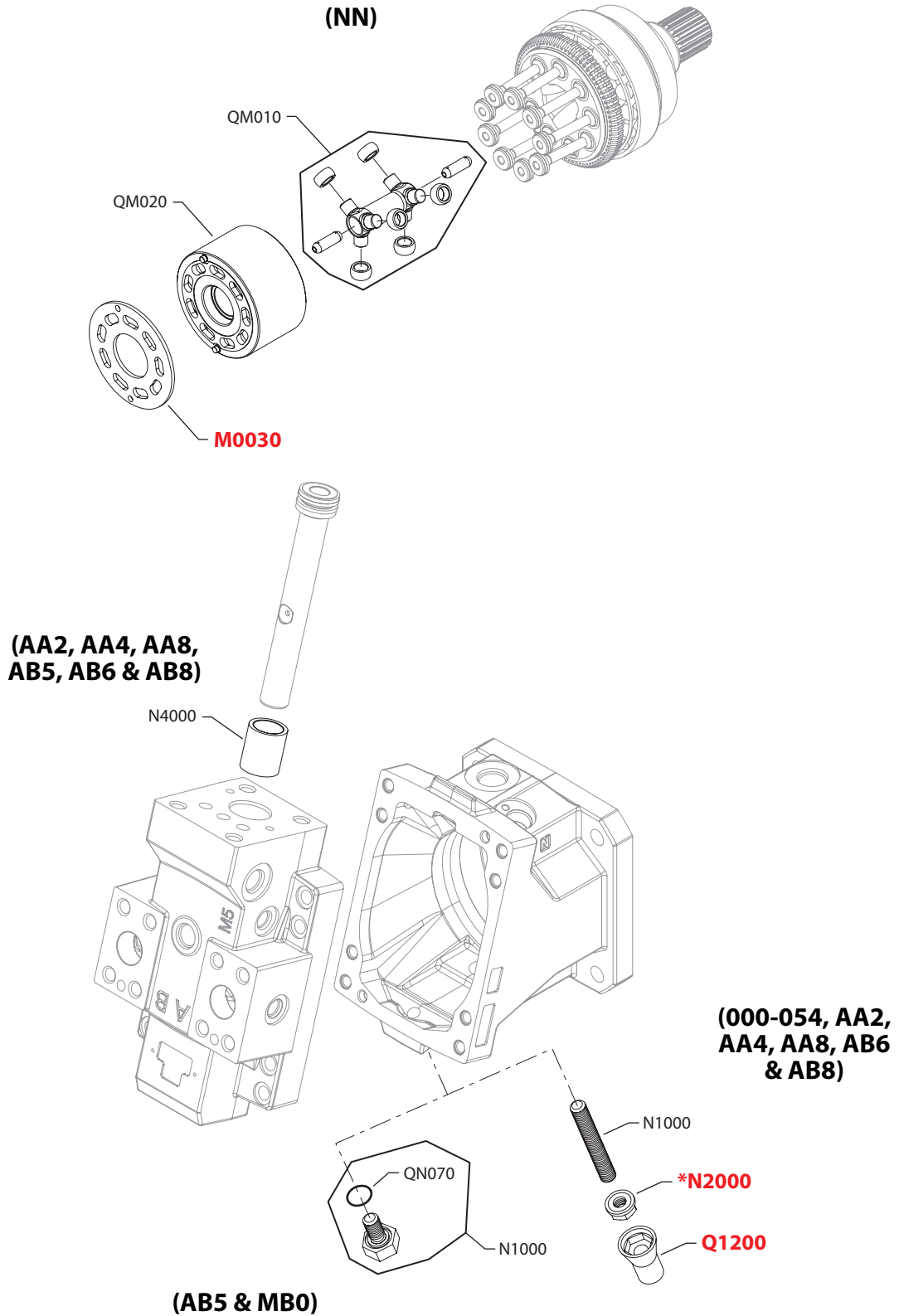
Enlarged **bold** type item numbers are recommended part to stock for servicing.


Loop flushing

Order Code	Item	Date Begin	Date End	Part Number	Part Name	Qty. per Model/Kit
05	L0100	08-14		11008698	Loop flushing relief valve, 5L/min	1
	L0150	08-14		149052	O-ring	1
10	L0100	08-14		11003448	Loop flushing relief valve, 10L/min	1
	L0150	08-14		149052	O-ring	1
15	L0100	08-14		11003450	Loop flushing relief valve, 15L/min	1
	L0150	08-14		149052	O-ring	1
20	L0100	08-14		11001676	Loop flushing relief valve, 20L/min	1
	L0150	08-14		149052	O-ring	1
30	L0100	13-23		11008700	Loop flushing relief valve, 30L/min	1
	L0150	13-23		149052	O-ring	1
40	L0100	13-23		11008701	Loop flushing relief valve, 40L/min	1
	L0150	13-23		149052	O-ring	1
50	L0100	13-23		11001697	Loop flushing relief valve, 50L/min	1
	L0150	13-23		149052	O-ring	1
CA	L0180	13-23		315325 (9005110-8700)	Plug assembly	1
E2	B0024	13-23		11031608	O-ring	1
	B0026	13-23		11027046	Coil nut	1
	B0028	13-23		063172	O-ring	1
	B0034	13-23		085043 (9004201-3700)	O-ring	1
	C2000	13-23		11031763	Coil kit, 12v	1
	L0100	13-23		11096735	Loop flushing relief valve, 12v, 10L/min	1
	L0150	13-23		149052	O-ring	1
	L1000	13-23		11013615	Solenoid valve, 12v	1
E3	B0024	13-23		11031608	O-ring	1
	B0026	13-23		11027046	Coil nut	1
	B0028	13-23		063172	O-ring	1
	B0034	13-23		085043 (9004201-3700)	O-ring	1
	C2000	13-23		11031763	Coil kit, 12v	1
	L0100	13-23		11096736	Loop flushing relief valve, 12v, 15L/min	1
	L0150	13-23		149052	O-ring	1
	L1000	13-23		11013615	Solenoid valve, 12v	1
E4	B0024	16-06		11031608	O-ring	1
	B0026	16-06		11027046	Coil nut	1
	B0028	16-06		063172	O-ring	1
	B0034	16-06		085043 (9004201-3700)	O-ring	1
	C2000	16-06		11031763	Coil kit, 12v	1
	L0100	16-06		11175555	Loop flushing relief valve, 12v, 20L/min	1
	L0150	16-06		149052	O-ring	1
	L1000	16-06		11013615	Solenoid valve, 12v	1
NN	L0100	08-14		11027278	Plug assembly	1
	L0150	08-14		149052	O-ring	1



Special hardware and minimum displacement



* = included in overhaul seal kit Q210

E101 737E

Enlarged **bold** type item numbers are recommended part to stock for servicing.


Special hardware and minimum displacement
Special hardware/common parts

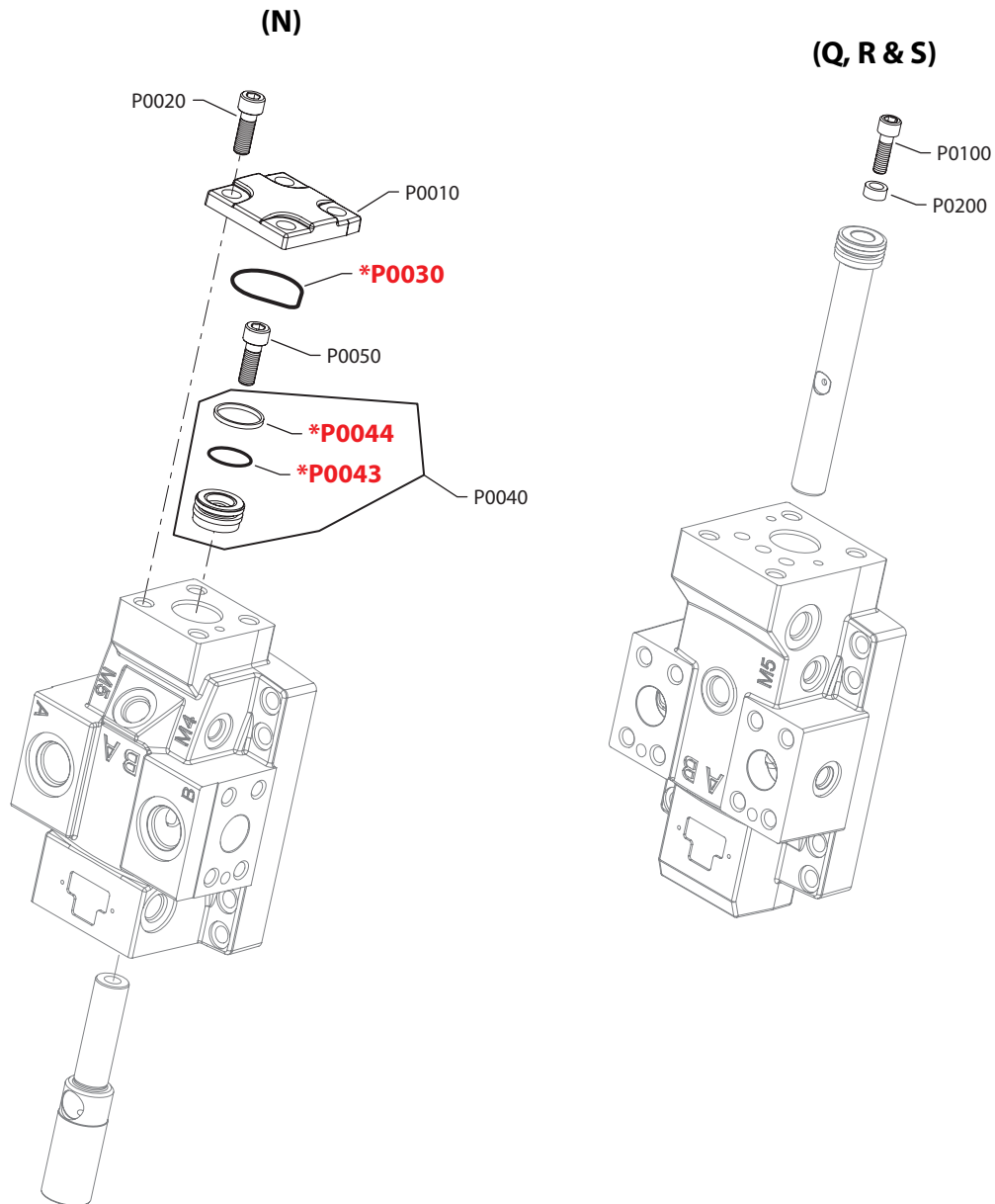
Order Code	Item	Date Begin	Date End	Part Number	Part Name	Qty. per Model/Kit
NN	QM010	08-14		11051898	Synch shaft assembly	1
	QM020	08-14		11051896	Cylinder block assembly	1
	M0030	08-14		515367	Bearing plate	1

Minimum displacement

000-019	N1000	08-14		11012777	Set screw, 0-19cc, M12 x 65mm (SB-2012-018)	1
	N2000	08-14		076042	Seal nut, M12	1
	Q1200	08-14		770842	Plastic cap, green	1
020-035	N1000	08-14		750646	Set screw, 20-35cc, M12 x 75mm (SB-2012-018)	1
	N2000	08-14		076042	Seal nut, M12	1
	Q1200	08-14		770842	Plastic cap, green	1
036-054	N1000	08-14		749564	Set screw, 36-54cc, M12 x 90mm (SB-2012-018)	1
	N2000	08-14		076042	Seal nut, M12	1
	Q1200	08-14		770842	Plastic cap, green	1
AA2	N1000	10-19		11106517	Set screw, 20cc special, 2-position, M12 x 40mm	1
	N2000	10-19		076042	Seal nut, M12	1
	N4000	10-19		11083834	Spacer, 12.27mm	1
	Q1200	10-19		770842	Plastic cap, green	1
AA4	N1000	10-27		11106517	Set screw, 60cc special, 2-position, M12 x 40mm	1
	N2000	10-27		076042	Seal nut, M12	1
	N0040	10-27		11086508	Spacer, 43.95mm	1
	Q1200	10-27		770842	Plastic cap, green	1
AA8	N1000	12-44		11106517	Set screw, 56cc special, 2-position, M12 x 40mm	1
	N2000	12-44		076042	Seal nut, M12	1
	N4000	12-44		11123259	Spacer, 40.90mm	1
	Q1200	12-44		770842	Plastic cap, green	1
AB5	N1000	15-20		11161812	Seal plug assembly, M12	1
	N4000	15-20		11167126	Spacer, 25.00mm	1
	QN070	15-20		11001952	O-ring	1
AB6	N1000	15-28		11106517	Set screw, M12 x 40mm	1
	N2000	15-28		076042	Seal nut, M12	1
	N4000	15-28		11168620	Spacer, 42.20mm	1
	Q1200	15-28		770842	Plastic cap, green	1
AB8	N1000	15-43		11106517	Set screw, M12 x 40mm	1
	N2000	15-43		076042	Seal nut, M12	1
	N4000	15-43		11171592	Spacer, 39.64mm	1
	Q1200	15-43		770842	Plastic cap, green	1
MB0	N1000	15-28		11161812	Seal plug assembly, M12	1
	QN070	15-28		11001952	O-ring	1



Maximum displacement



* = included in overhaul seal kit Q210

E103 342E

Enlarged **bold** type item numbers are recommended part to stock for servicing.


Maximum displacement
Maximum displacement

Order Code	Item	Date Begin	Date End	Part Number	Part Name	Qty. per Model/Kit
N	P0010	08-14		11001110	Servo piston cover	1
	P0020	08-14		737866 (9007314-1207)	Screw, M12 x 30	4
	P0030	08-14		11050757	O-ring	1
	P0040	08-14		11004626	Servo piston assembly	1
	P0043	08-14		504208	O-ring	1
	P0044	08-14		508136	Piston ring	1
	P0050	08-14		293225 (9007314-1007)	Screw, M10 x 30	1
Q	P0100	09-14		506969	Screw, M8 x 25	1
	P0200	09-14		11064423	Spacer, 3.1mm	1
R	P0100	11-26		506969	Screw, M8 x 25	1
	P0200	11-26		781948	Spacer, 6.5mm	1
S	P0100	15-43		506969	Screw, M8 x 25	1
	P0200	15-43		11171588	Spacer, 9.53mm	1
Z				no parts		

Overhaul seal kit

Q210	08-14		11172538	Overhaul seal kit, H1B080	1
B0034	08-14		085043 (9004201-3700)	O-ring, 11.89 x 1.98, nitrile	2
B0035	08-14		11001952	O-ring, 18.00 x 1.50, nitrile	1
C0130	08-14		149040	Control seal	1
C0130	08-14		11016168	Control seal, 2-position	1
G0020	08-14		519021	Lip seal	1
G0070	08-14		11098011	End cap gasket, H1B080	1
J0041	08-14		018499 (9004100-0160)	O-ring, 15.60 x 1.78, nitrile	1
L0150	08-14		149052	O-ring, 15.30 x 2.20, nitrile	1
M223	08-14		085043 (9004201-3700)	O-ring, 11.89 x 1.98, nitrile	1
M224	08-14		732479 (9004105-0100)	O-ring, 6.07 x 1.78, viton	1
N2000	08-14		076042	Seal nut, M12	1
P0030	08-14		11050757	O-ring, 47.00 x 3.00, nitrile	1
P0043	08-14		504208	O-ring, 23.46 x 2.62, nitrile	1
P0044	08-14		508136	Piston ring	1
Q1200	08-14		770842	Plastic cap, green	1
QC160	08-14		039297 (9004201-1200)	O-ring, 6.07 x 1.63, nitrile	1
QG050	08-14		001123 (9004201-2500)	O-ring, 8.92 x 1.83, nitrile	1
QG055	08-14		039297 (9004201-1200)	O-ring, 6.07 x 1.63, nitrile	1
QK040	08-14		149052	O-ring, 15.30 x 2.20, nitrile	1
QK050	08-14		149052	O-ring, 15.30 x 2.20, nitrile	1


Service Bulletin: SB-2012-018

Products affected H1B 80cc bent axis motors

Subject Minimum angle stops

Description As a product improvement Sauer-Danfoss has changed the minimum angle screws on H1B 80cc motors. Previously there were two adjustment ranges: 0cc to 31cc and 32cc to 54cc. Now there are three adjustment ranges: 0cc to 19cc, 20cc to 35cc and 36cc to 54cc. Two new adjusting screws have been released because of this change. As a result of this change the blue protective cap will fit properly through all adjustment ranges.

Models affected H1B 80cc Bent Axis Motors

Serial numbers This change took effect at serial number: N-12-36-XXXXX (12-Sep-2012)

Part numbers affected

Description	Old part number	New part number
0 - 19cc	-	11012777
0 - 31cc	350090	-
20 - 35cc	-	750646
32 - 54cc	749564	-
36 - 54cc	-	749564

Parts disposition ■ Update as needed



Notes



Products we offer:

- Bent Axis Motors
- Closed Circuit Axial Piston Pumps and Motors
- Displays
- Electrohydraulic Power Steering
- Electrohydraulics
- Hydraulic Power Steering
- Integrated Systems
- Joysticks and Control Handles
- Microcontrollers and Software
- Open Circuit Axial Piston Pumps
- Orbital Motors
- PLUS+1® GUIDE
- Proportional Valves
- Sensors
- Steering
- Transit Mixer Drives

Danfoss Power Solutions is a global manufacturer and supplier of high-quality hydraulic and electronic components. We specialize in providing state-of-the-art technology and solutions that excel in the harsh operating conditions of the mobile off-highway market. Building on our extensive applications expertise, we work closely with our customers to ensure exceptional performance for a broad range of off-highway vehicles.

We help OEMs around the world speed up system development, reduce costs and bring vehicles to market faster.

Danfoss – Your Strongest Partner in Mobile Hydraulics.

Go to www.powersolutions.danfoss.com for further product information.

Wherever off-highway vehicles are at work, so is Danfoss.

We offer expert worldwide support for our customers, ensuring the best possible solutions for outstanding performance. And with an extensive network of Global Service Partners, we also provide comprehensive global service for all of our components.

Please contact the Danfoss Power Solution representative nearest you.

Comatrol

www.comatrol.com

Schwarzmueller-Inverter

www.schwarzmueller-inverter.com

Turolla

www.turollaocg.com

Valmova

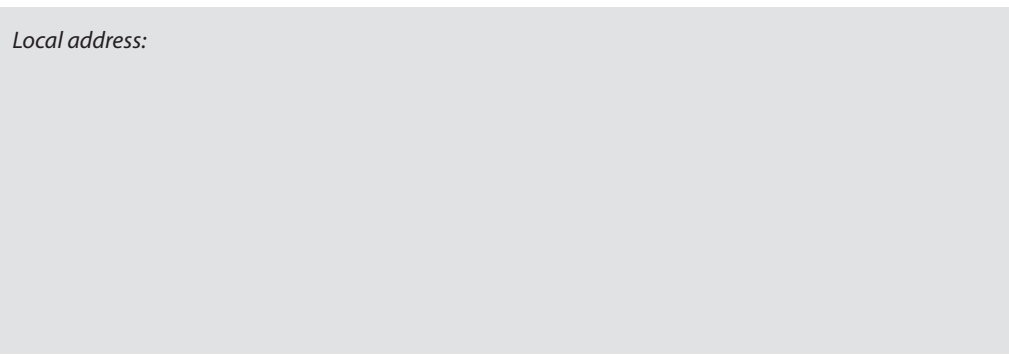
www.valmova.com

Hydro-Gear

www.hydro-gear.com

Daikin-Sauer-Danfoss

www.daikin-sauer-danfoss.com



Local address:

Danfoss Power Solutions US Company
2800 East 13th Street
Ames, IA 50010, USA
Phone: +1 515 239 6000

Danfoss Power Solutions GmbH & Co. OHG
Krokamp 35
D-24539 Neumünster, Germany
Phone: +49 4321 871 0

Danfoss Power Solutions ApS
Nordborgvej 81
DK-6430 Nordborg, Denmark
Phone: +45 7488 4444

Danfoss Power Solutions
Building #22, No. 1000 Jin Hai Rd
Jin Qiao, Pudong New District
Shanghai, China 201206
Phone: +86 21 3418 5200

Danfoss can accept no responsibility for possible errors in catalogues, brochures and other printed material. Danfoss reserves the right to alter its products without notice. This also applies to products already on order provided that such alterations can be made without subsequential changes being necessary in specifications already agreed. All trademarks in this material are property of the respective companies. Danfoss and the Danfoss logotype are trademarks of Danfoss A/S. All rights reserved.