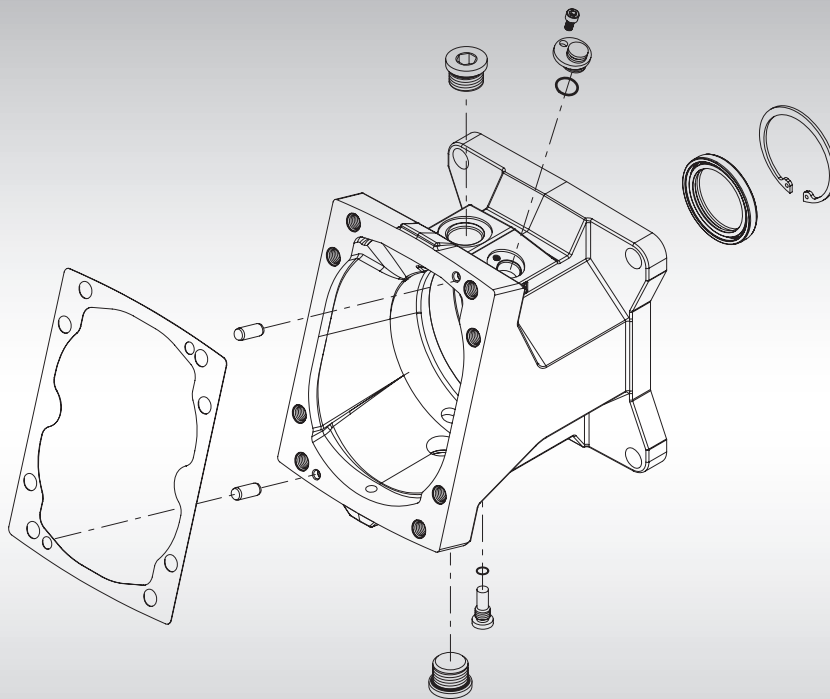




Parts Manual

# H1B 250 cc Bent Axis Motor







**Contents**

<b>General information</b>	Service parts identification .....	4
	Nameplate .....	4
	Date code .....	5
	Service bulletins.....	5
	Procedure to identify a part.....	5
	Order code .....	7
<b>Control</b>	C ontrol .....	8-15
<b>Servo pressure supply</b>	Servo pressure supply .....	16-41
<b>Orifice</b>	Orifice .....	42-43
<b>End cap</b>	End cap.....	44-59
<b>Flange housing</b>	SAE flange .....	60-63
<b>Shaft</b>	Shaft .....	64-65
<b>Speed sensor</b>	Speed sensor.....	64-65
<b>Loop flushing</b>	Shuttle system .....	66-67
	Relief valve .....	68-69
<b>Special hardware</b>	Special hardware/common parts.....	70-71
<b>Minimum displacement</b>	Minimum displacement.....	70-71
<b>Maximum displacement</b>	Maximum displacement .....	72-73
<b>Seal kit</b>	Overhaul seal kit.....	74



**General information**

**Service parts identification**

The following information and procedure is used to identify the module group, item number, manufacture date, part number, and part name of the parts included in the H1B 250 cc variable displacement motors.

The parts listed include all parts which may be used when performing either "Minor Repairs", "Major Repairs" or "Conversions" on the H1B 250 cc motor.

**Nameplate**

Each unit will have a nameplate affixed to the end cap. The nameplate will include the following information.

**Model Code**

The Danfoss model code completely defines the specific unit and must be used when ordering parts to service this product.

**Model Number**

The Danfoss model number is used by the factory in manufacturing. On repeat orders, a complete unit can be ordered by the model number.

**Serial Number**

The Danfoss serial number is used to identify the manufacture date and the unit sequence in the build. The serial number is also used to identify the units warranty time period.

The letter code indicates the location of original manufacture (assembly). "N" indicates the unit was originally assembled in Neumuenster, Germany. "H" indicates the unit was originally assembled in Haiyan, China.

The first number (2 digits) indicates the year of manufacture. ("13" would indicate the unit was manufactured in 2013)

The second number (2 digits) indicates the calendar week of manufacture.

The third number (5 digits) is a sequential number used to identify a specific unit.





**General information**

**Date code**

The date code is defined as the year and week of manufacture. The same item number may list more than one part number. This indicates that there is more than one configuration for that item number. You will see that there are different date codes for the different part numbers. Find the date code of your unit from the nameplate to determine which service part number you need to order.

EXAMPLE: The service part desired is Item G30

Order Code	Item	Date Begin	Date End	Part Number	Part Name	Usage
80	G30	89-17		8000243	End cap gasket	1
	G30	87-02	89-16	8000151	End cap gasket (SB-1995-006)	1

All units using this order code with a date code of 87-02 and up to and including 89-16, must use part number "8000151". All units with a date code of 89-17 and newer must use part number "8000243".

**Service bulletins**

A Service Bulletin Number (SB-\_\_\_\_-\_\_\_\_) may follow the "Part Name" of the part you desire. You must read that Service Bulletin prior to ordering that part. The information contained in these Service Bulletins, as of the print date of this bulletin, are included at the end of this manual. Service Bulletins contain more detailed information such as interchangeability, what additional parts are involved, etc. It is suggested that you add additional Service Bulletins to this manual as you receive them.

**Procedure to identify a part**

**General**

The modular design of H1B units results in a simplified service parts list and part number identification procedure.

The same item numbers are used for same part names on all units within a product type. (Example: The lip seal - Item G0020 has the same item number on all motors.)

A part number that has another number following it in parentheses is done to make this a world wide manual. The first number is sold in Germany. The number in parentheses is sold in the United States. (Example: 314583 (9008000-0118), customers would order 9008000-0118 if ordering the part in the United States.)

**Example of a Part Identification**

The nameplate on an H1 motor has an Order Code of H1B250 A L1 BA N A PA VS FS S B 50 NN 050 N 00 NNN. Use the following procedures to determine the part number of the minimum angle set screw used on this motor.

1) Referring to the minimum displacement module in the Order Code (see page 7), the minimum angle set screw option for this motor is identified by the code "050". (H1B250 A L1 BA N A PA VS FS S B 50 NN **050** N 00 NNN)

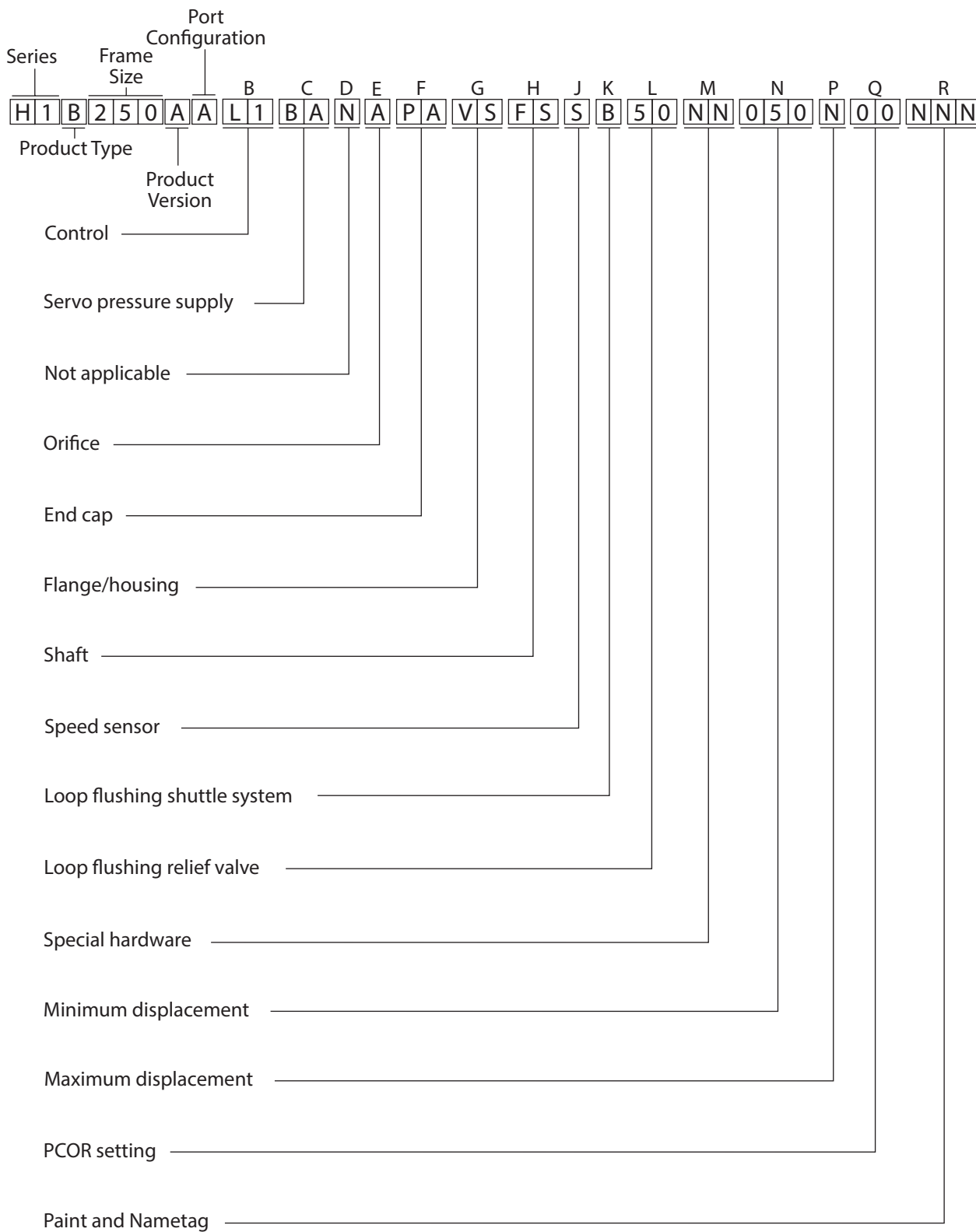
2) Referring to the Service Parts List, find the minimum displacement group. Next find the order code that relates to this unit, which is "050". The minimum angle set screw is found to be item N1000 and part number 750646.



**Notes**



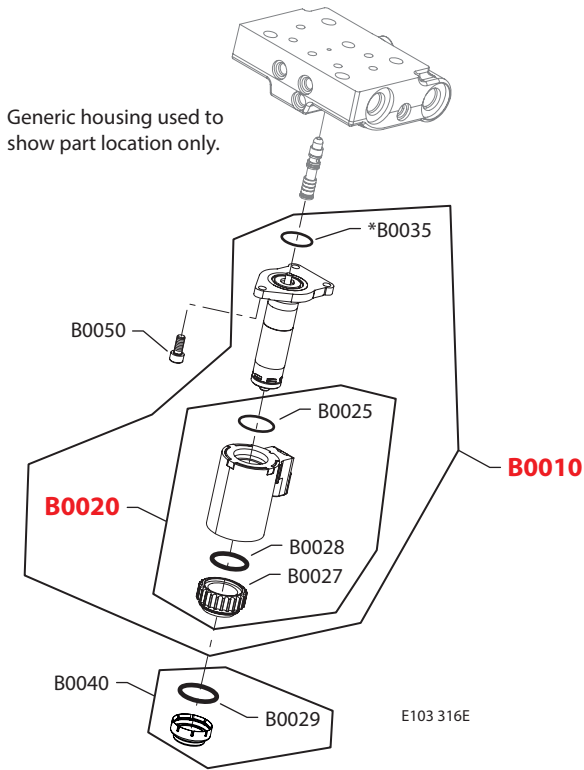
Order code



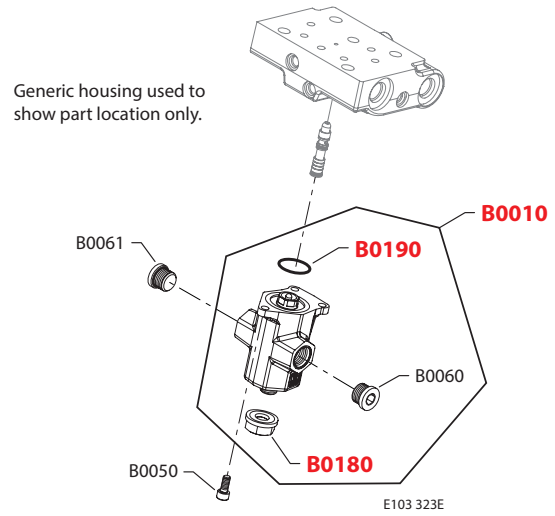


Control

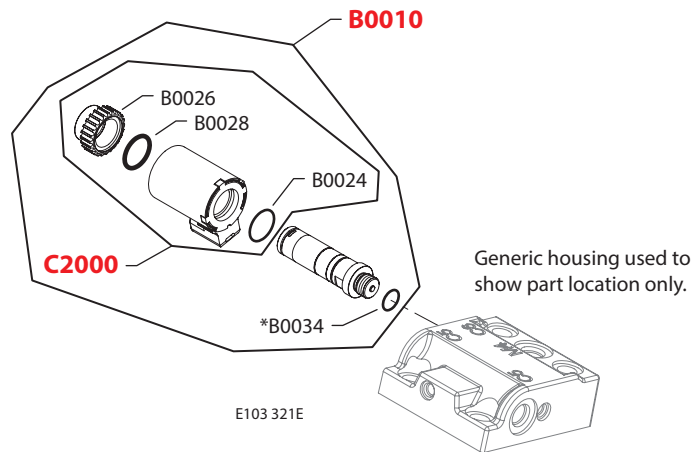
(D1 & D2)



(DH)



(E1 & E2)



\* = included in overhaul seal kit Q210

Enlarged **bold** type item numbers are recommended part to stock for servicing.




**Control**
**Electric proportional**

Order Code	Item	Date Begin	Date End	Part Number	Part Name	Qty. per Model/Kit
D1	B0010	11-18		149053	Solenoid valve, proportional, 12 volt	1
	B0020	11-18		11031746	Coil kit, 12 volt	1
	B0025	11-18		11004735	O-ring	1
	B0027	11-18		11004749	Coil nut	1
	B0028	11-18		063172	O-ring	1
	B0029	11-18		11037174	O-ring	1
	B0035	11-18		11001952	O-ring	1
	B0040	11-18		11014185	Plastic cap	1
	B0050	11-18		716860	Screw, M5 x 12	3
D2	B0010	11-18		11002705	Solenoid valve, proportional, 24 volt	1
	B0020	11-18		11031749	Coil kit, 24 volt	1
	B0025	11-18		11004735	O-ring	1
	B0027	11-18		11004749	Coil nut	1
	B0028	11-18		063172	O-ring	1
	B0029	11-18		11037174	O-ring	1
	B0035	11-18		11001952	O-ring	1
	B0040	11-18		11014185	Plastic cap	1
	B0050	11-18		716860	Screw, M5 x 12	3

**Hydraulic proportional**

DH	B0010	14-37		11146306	Actuator assembly	1
	B0050	14-37		716860	Screw, M5 x 12	3
	B0060	14-37		140644	Plug assembly	1
	B0061	14-37		140644	Plug assembly	1
	B0180	14-37		076042 (9003509-0012)	Seal nut, M12	1
	B0190	14-37		012575 (9004105-1170)	O-ring	1

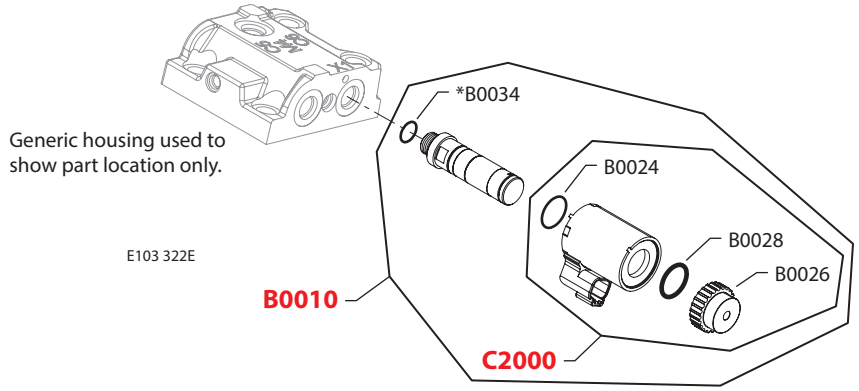
**Electric 2-position**

E1	B0010	11-18		11013615	Solenoid, on/off, 12 volt	1
	B0024	11-18		11031608	O-ring	1
	B0026	11-18		11027046	Coil nut	1
	B0028	11-18		063172	O-ring	1
	B0034	11-18		085043 (9004201-3700)	O-ring	1
	C2000	11-18		11031763	Coil kit, 12 volt	1
	E2	B0010	11-18		11013616	Solenoid, on/off, 24 volt
B0024		11-18		11031608	O-ring	1
B0026		11-18		11027046	Coil nut	1
B0028		11-18		063172	O-ring	1
B0034		11-18		085043 (9004201-3700)	O-ring	1
C2000		11-18		11031764	Coil kit, 24 volt	1

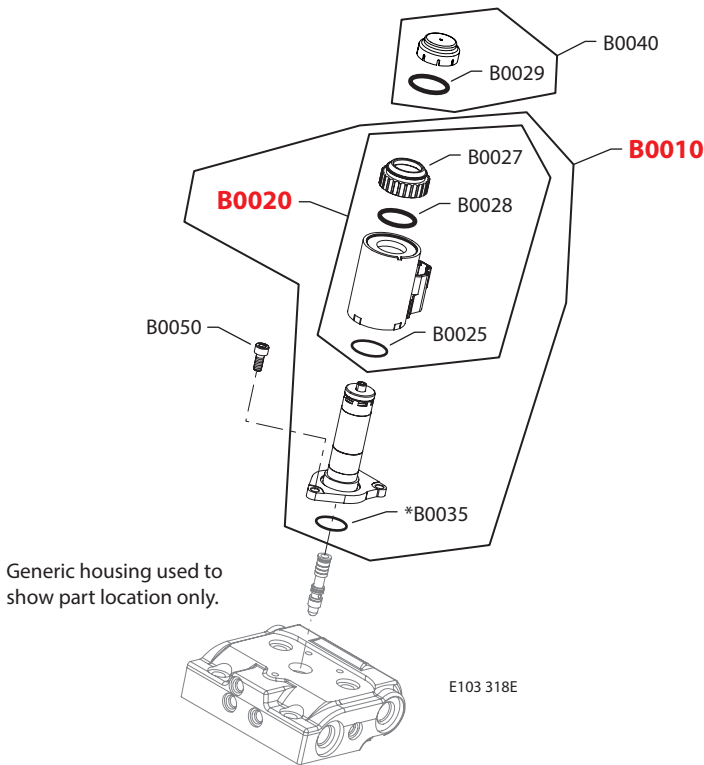


Control

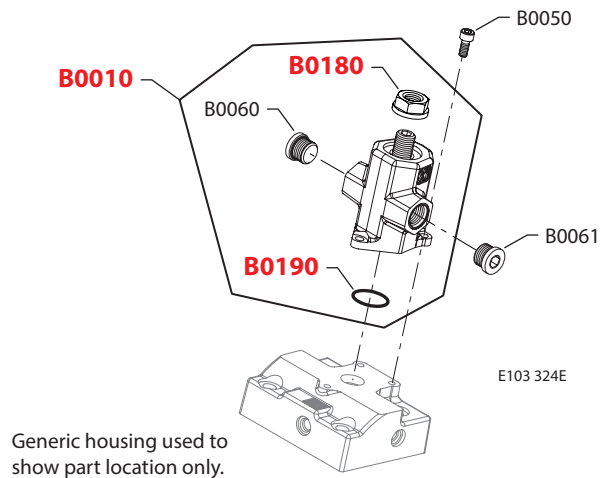
(F1 & F2)



(K1 & K2)



(KH)



\* = included in overhaul seal kit Q210

Enlarged **bold** type item numbers are recommended part to stock for servicing.


**Control**
**Electric 2-position control**

Order Code	Item	Date Begin	Date End	Part Number	Part Name	Qty. per Model/Kit
F1	B0010	11-48		11013615	Solenoid, on/off, 12 volt	1
	B0024	11-48		11031608	O-ring	1
	B0026	11-48		11027046	Coil nut	1
	B0028	11-48		063172	O-ring	1
	B0034	11-48		085043 (9004201-3700)	O-ring	1
	C2000	11-48		11031763	Coil kit, 12 volt	1
F2	B0010	11-48		11013616	Solenoid, on/off, 24 volt	1
	B0024	11-48		11031608	O-ring	1
	B0026	11-48		11027046	Coil nut	1
	B0028	11-48		063172	O-ring	1
	B0034	11-48		085043 (9004201-3700)	O-ring	1
	C2000	11-48		11031764	Coil kit, 24 volt	1

**Hydraulic 2-position**

HE	no parts				
HF	no parts				

**Electric 2-position control**

K1	B0010	11-18		149053	Solenoid valve, proportional, 12 volt	1
	B0020	11-18		11031746	Coil kit, 12 volt	1
	B0025	11-18		11004735	O-ring	1
	B0027	11-18		11004749	Coil nut	1
	B0028	11-18		063172	O-ring	1
	B0029	11-18		11037174	O-ring	1
	B0035	11-18		11001952	O-ring	1
	B0040	11-18		11014185	Plastic cap	1
	B0050	11-18		716860	Screw, M5 x 12	3
K2	B0010	11-18		11002705	Solenoid valve, proportional, 24 volt	1
	B0020	11-18		11031749	Coil kit, 24 volt	1
	B0025	11-18		11004735	O-ring	1
	B0027	11-18		11004749	Coil nut	1
	B0028	11-18		063172	O-ring	1
	B0029	11-18		11037174	O-ring	1
	B0035	11-18		11001952	O-ring	1
	B0040	11-18		11014185	Plastic cap	1
	B0050	11-18		716860	Screw, M5 x 12	3

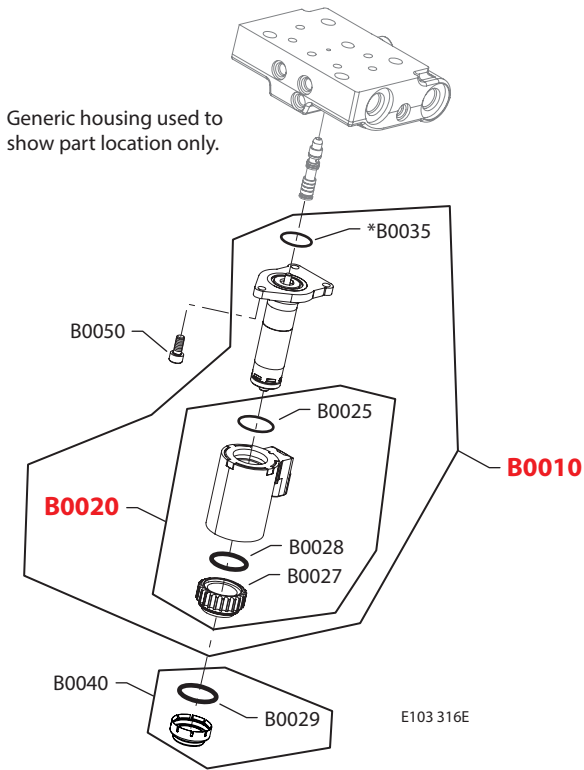
**Hydraulic proportional**

KH	B0010	15-48		11146306	Actuator assembly	1
	B0050	15-48		716860	Screw, M5 x 12	3
	B0060	15-48		140644	Plug assembly	1
	B0061	15-48		140644	Plug assembly	1
	B0180	15-48		076042 (9003509-0012)	Seal nut, M12	1
	B0190	15-48		012575 (9004105-1170)	O-ring	1

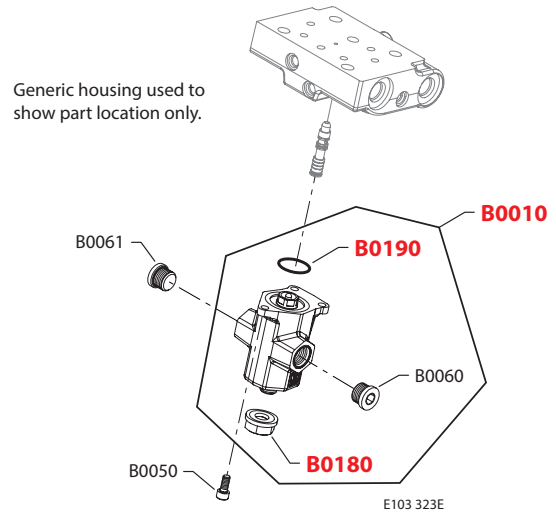


Control

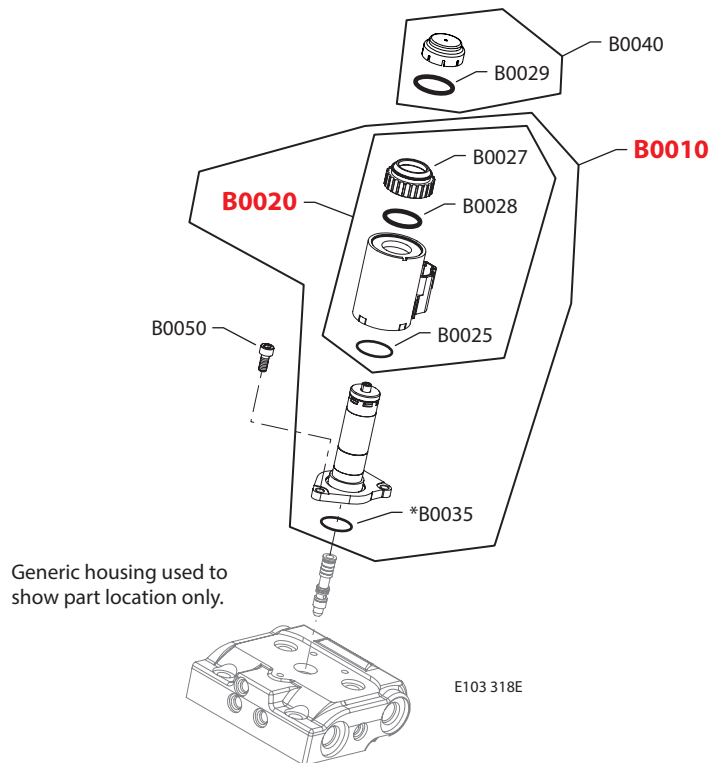
**(L1 & L2)**



**(LH)**



**M1 & M2)**



\* = included in overhaul seal kit Q210

Enlarged **bold** type item numbers are recommended part to stock for servicing.


**Control**
**Electric proportional control**

Order Code	Item	Date Begin	Date End	Part Number	Part Name	Qty. per Model/Kit
L1	B0010	11-18		149053	Solenoid valve, proportional, 12 volt	1
	B0020	11-18		11031746	Coil kit, 12 volt	1
	B0025	11-18		11004735	O-ring	1
	B0027	11-18		11004749	Coil nut	1
	B0028	11-18		063172	O-ring	1
	B0029	11-18		11037174	O-ring	1
	B0035	11-18		11001952	O-ring	1
	B0040	11-18		11014185	Plastic cap	1
	B0050	11-18		716860	Screw, M5 x 12	3
L2	B0010	11-18		11002705	Solenoid valve, proportional, 24 volt	1
	B0020	11-18		11031749	Coil kit, 24 volt	1
	B0025	11-18		11004735	O-ring	1
	B0027	11-18		11004749	Coil nut	1
	B0028	11-18		063172	O-ring	1
	B0029	11-18		11037174	O-ring	1
	B0035	11-18		11001952	O-ring	1
	B0040	11-18		11014185	Plastic cap	1
	B0050	11-18		716860	Screw, M5 x 12	3

**Hydraulic proportional**

LH	B0010	14-37		11146306	Actuator assembly	1
	B0050	14-37		716860	Screw, M5	3
	B0060	14-37		140644	Plug assembly	1
	B0061	14-37		140644	Plug assembly	1
	B0180	14-37		076042 (9003509-0012)	Seal nut, M12	1
	B0190	14-37		012575 (9004105-1170)	O-ring	1

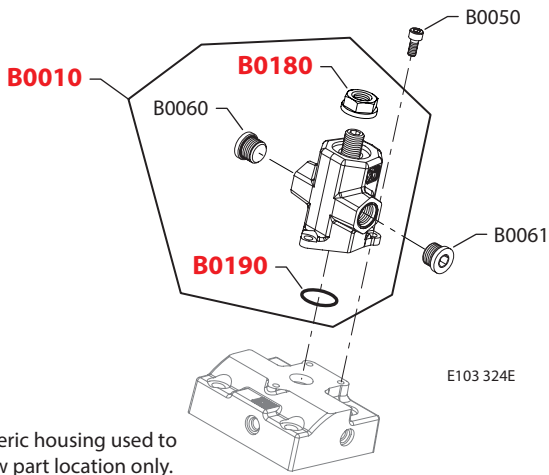
**Electric proportional control**

M1	B0010	11-18		149053	Solenoid valve, proportional, 12 volt	1
	B0020	11-18		11031746	Coil kit, 12 volt	1
	B0025	11-18		11004735	O-ring	1
	B0027	11-18		11004749	Coil nut	1
	B0028	11-18		063172	O-ring	1
	B0029	11-18		11037174	O-ring	1
	B0035	11-18		11001952	O-ring	1
	B0040	11-18		11014185	Plastic cap	1
	B0050	11-18		716860	Screw, M5 x 12	3
M2	B0010	11-18		11002705	Solenoid valve, proportional, 24 volt	1
	B0020	11-18		11031749	Coil kit, 24 volt	1
	B0025	11-18		11004735	O-ring	1
	B0027	11-18		11004749	Coil nut	1
	B0028	11-18		063172	O-ring	1
	B0029	11-18		11037174	O-ring	1
	B0035	11-18		11001952	O-ring	1
	B0040	11-18		11014185	Plastic cap	1
	B0050	11-18		716860	Screw, M5 x 12	3

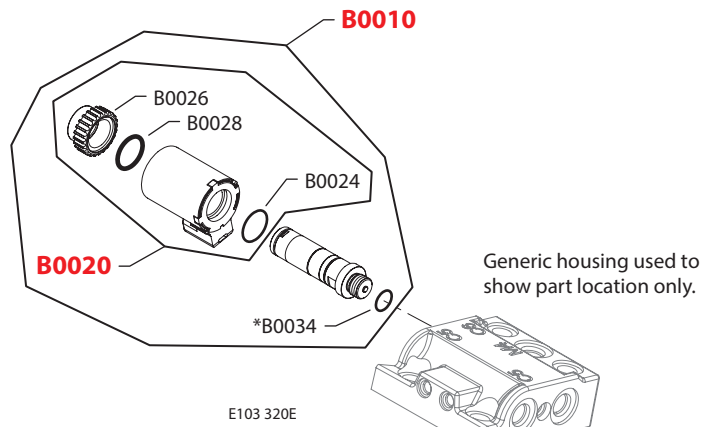


**Control**

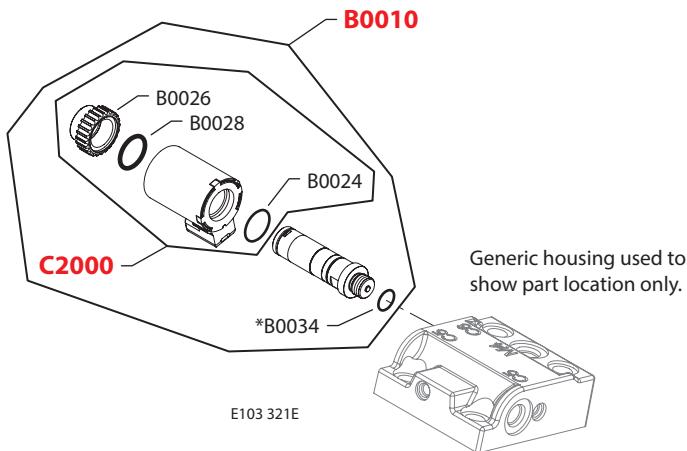
**(MH)**



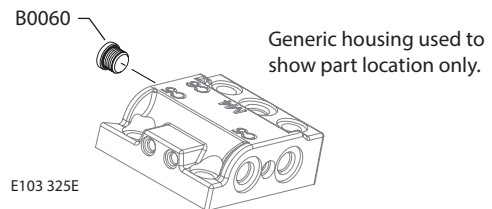
**(P1 & P2)**



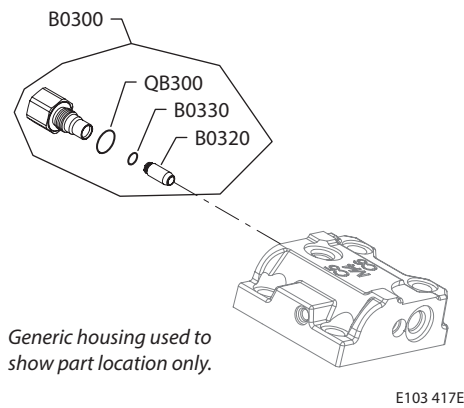
**(T1 & T2)**



**(TA)**



**(TH)**



\* = included in overhaul seal kit Q210

Enlarged **bold** type item numbers are recommended part to stock for servicing.


**Control**
**Hydraulic proportional control**

Order Code	Item	Date Begin	Date End	Part Number	Part Name	Qty. per Model/Kit
MH	B0010	14-23		11146306	Actuator assembly	1
	B0050	14-23		716860	Screw, M5 x 12	3
	B0060	14-23		140644	Plug assembly	1
	B0061	14-23		140644	Plug assembly	1
	B0180	14-23		076042 (9003509-0012)	Seal nut, M12	1
	B0190	14-23		012575 (9004105-1170)	O-ring	1

**Hydraulic 2-position**

N1				no parts		
NA				no parts		
NB				no parts		

**Electric 2-position control**

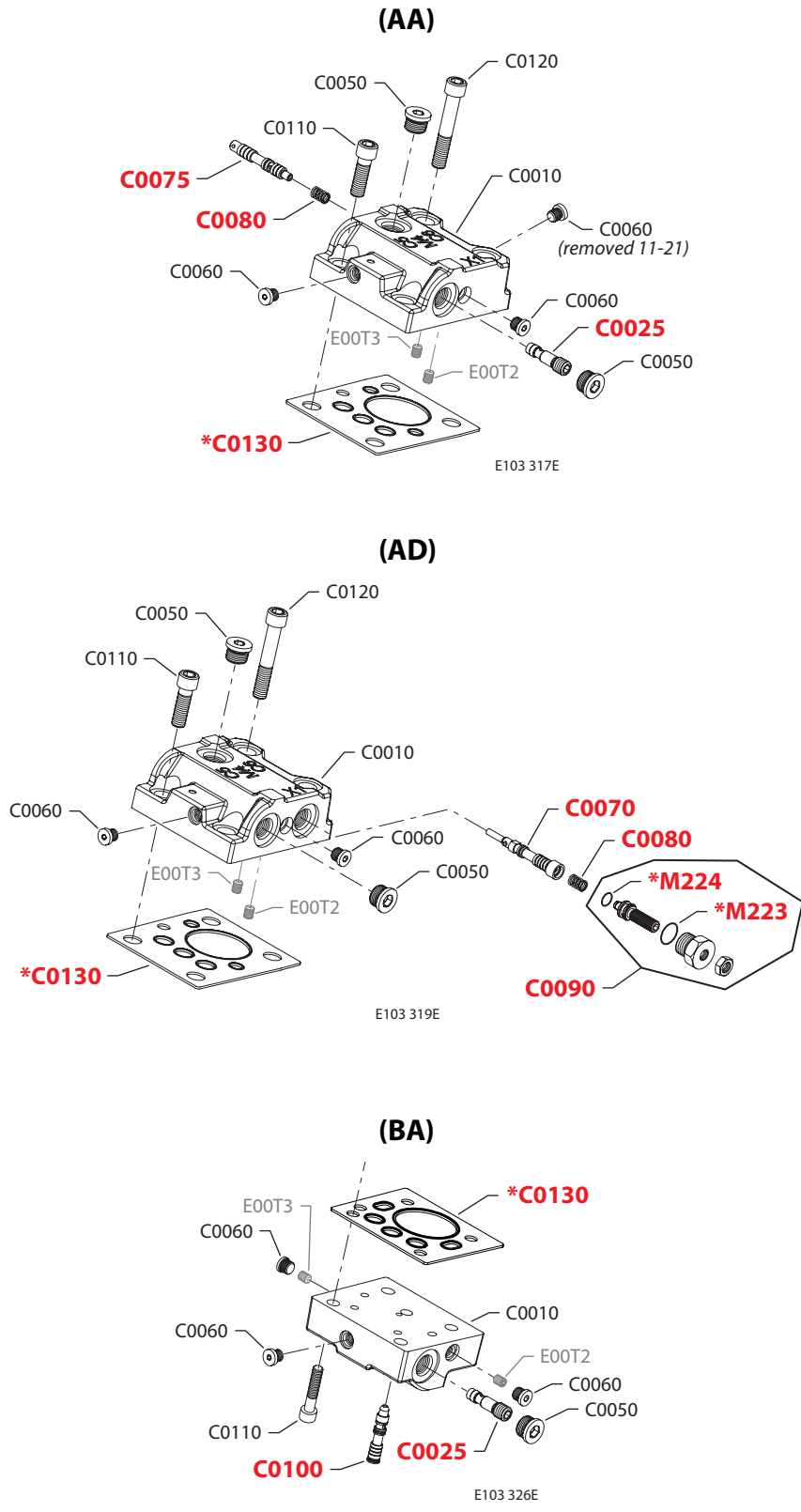
P1	B0010	11-18		11013613	Solenoid valve, proportional, 12 volt	1
	B0020	11-18		11031751	Coil kit, 12 volt	1
	B0024	11-18		11031608	O-ring	1
	B0026	11-18		11027046	Coil nut	1
	B0028	11-18		063172	O-ring	1
	B0034	11-18		085043 (9004201-3700)	O-ring	1
	P2	B0010	11-18		11013614	Solenoid valve, proportional, 24 volt
B0020		11-18		11031762	Coil kit, 24 volt	1
B0024		11-18		11031608	O-ring	1
B0026		11-18		11027046	Coil nut	1
B0028		11-18		063172	O-ring	1
B0034		11-18		085043 (9004201-3700)	O-ring	1
T1		B0010	11-18		11013615	Solenoid, on/off, 12 volt
	B0024	11-18		11031608	O-ring	1
	B0026	11-18		11027046	Coil nut	1
	B0028	11-18		063172	O-ring	1
	B0034	11-18		085043 (9004201-3700)	O-ring	1
	C2000	11-18		11031763	Coil kit, 12 volt	1
	T2	B0010	11-18		11013616	Solenoid, on/off, 24 volt
B0024		11-18		11031608	O-ring	1
B0026		11-18		11027046	Coil nut	1
B0028		11-18		063172	O-ring	1
B0034		11-18		085043 (9004201-3700)	O-ring	1
C2000		11-18		11031764	Coil kit, 24 volt	1
TA		B0060	11-46		140644	Plug assembly

**Hydraulic 2-position**

TH	B0300	15-27		11157844	PCOR override adapter assembly	1
	B0320	15-27		11157843	Sensing spool	1
	B0330	15-27		11164139	O-ring	1
	QB300	15-27		085043 (9004201-3700)	O-ring	1



Servo pressure supply



\* = included in overhaul seal kit Q210

Enlarged **bold** type item numbers are recommended part to stock for servicing.

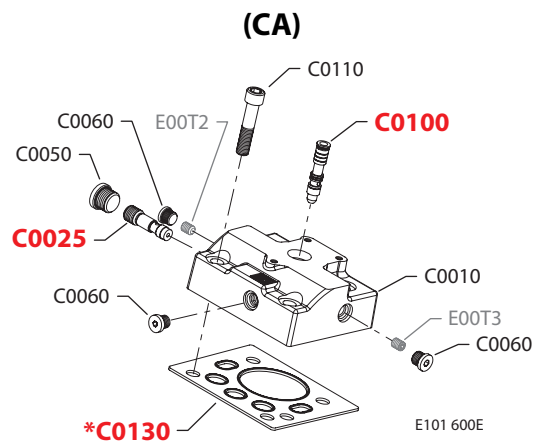
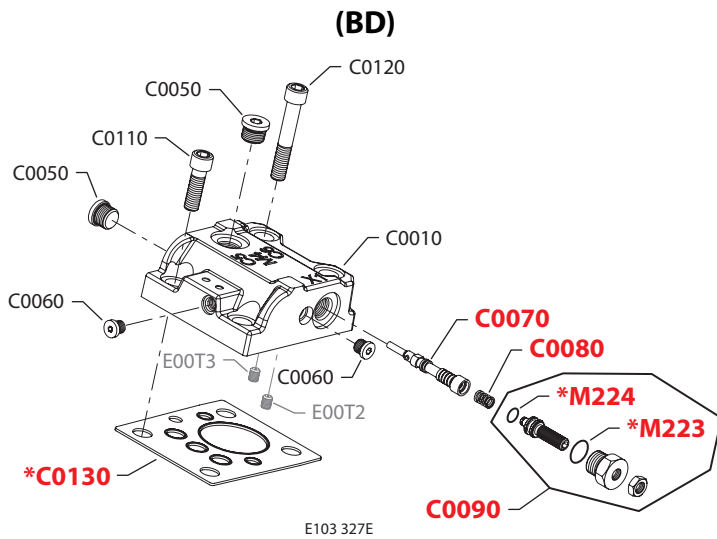
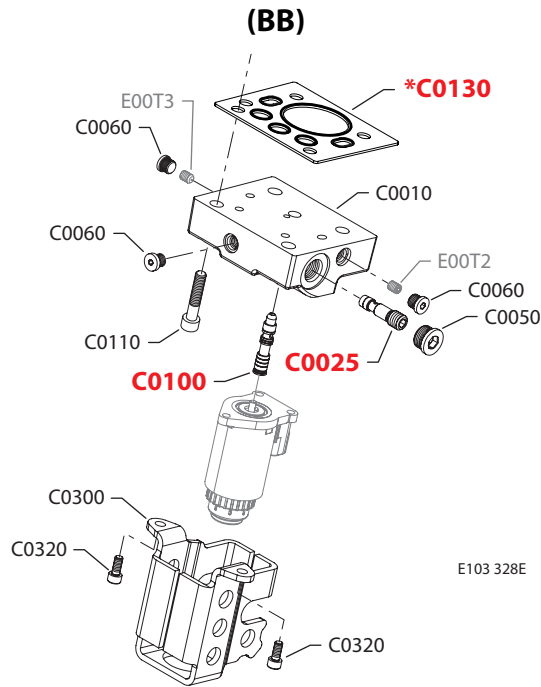



**Servo pressure supply**
**Servo pressure supply**

Order Code	Item	Date Begin	Date End	Part Number	Part Name	Qty. per Model/Kit	
AA	C0010	11-18		11086113	Control housing, 2-position	1	
	C0025	11-18		11000893	Shuttle valve assembly	1	
	C0050	11-18		140644	Plug assembly	2	
	C0060	11-22		11040532	Plug assembly	2	
	C0060	11-18	11-21	11040532	Plug assembly	3	
	C0075	11-18		11016166	Spool	1	
	C0080	11-18		11067002	Spring	1	
	C0110	11-18		737866 (9007314-1207)	Screw, M12 x 30	2	
	C0120	11-18		283325 (9007314-1211)	Screw, M12 x 50	2	
	C0130	11-18		11016168	Control seal	1	
	AD	C0010	12-14		11110070	Control housing, 2-position	1
		C0050	12-14		140644	Plug assembly	2
		C0060	12-14		11040532	Plug assembly	2
C0070		12-14		11016228	Spool	1	
C0080		12-14		11067002	Spring	1	
C0090		12-14		509360	Adjuster	1	
C0110		12-14		737866 (9007314-1207)	Screw, M12 x 30	2	
C0120		12-14		283325 (9007314-1211)	Screw, M12 x 50	2	
C0130		12-14		11016168	Control seal	1	
M223		12-14		085043 (9004201-3700)	O-ring	1	
M224		12-14		732479 (9004105-0100)	O-ring	1	
BA		C0010	11-18		149057	Control housing, proportional	1
		C0025	11-18		11000893	Shuttle valve assembly	1
	C0050	11-18		140644	Plug assembly	1	
	C0060	11-18		11040532	Plug assembly	3	
	C0100	11-18		149041	Spool	1	
	C0110	11-18		710855	Screw, M8 x 35	4	
	C0130	11-18		149040	Control seal	1	
	BA, metric	C0010	15-45		11161819	Control housing, proportional, metric	1
C0025		15-45		11000893	Shuttle valve assembly	1	
C0050		15-45		5000438	Plug assembly, M14	1	
C0060		15-45		11040532	Plug assembly	3	
C0100		15-45		149041	Spool	1	
C0110		15-45		710855	Screw, M8 x 35	4	
C0130		15-45		149040	Control seal	1	



Servo pressure supply



\* = included in overhaul seal kit Q210

Enlarged **bold** type item numbers are recommended part to stock for servicing.



Servo pressure supply

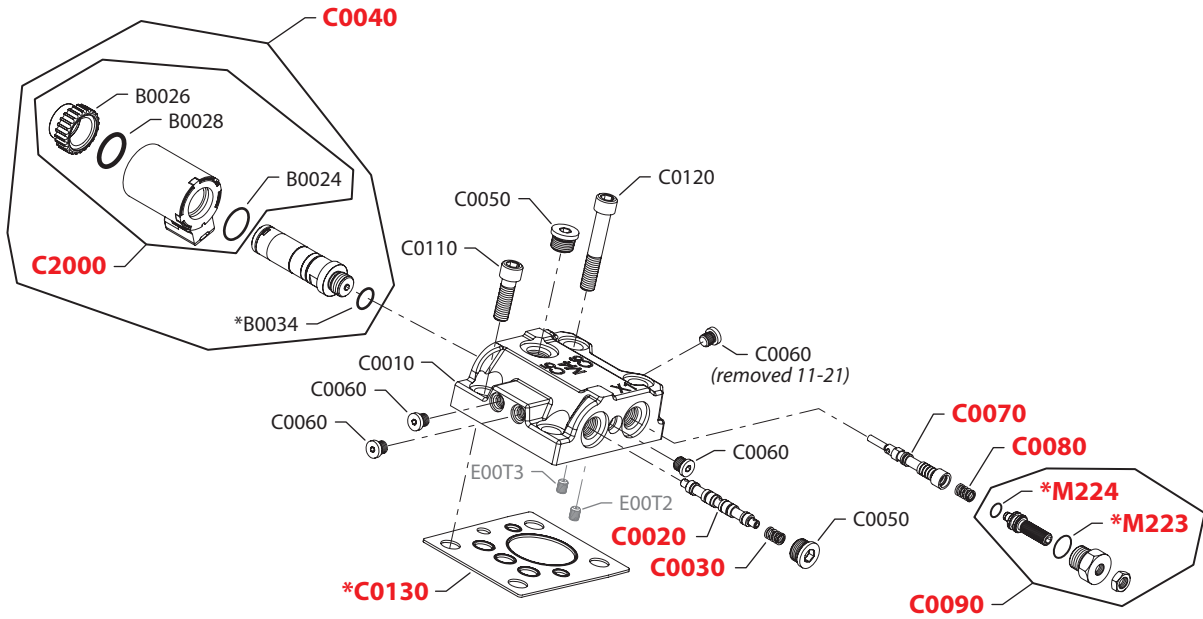
Servo pressure supply

Order Code	Item	Date Begin	Date End	Part Number	Part Name	Qty. per Model/Kit
BB	C0010	12-24		11116918	Control housing, proportional	1
	C0025	12-24		11000893	Shuttle valve assembly	1
	C0050	12-24		140644	Plug assembly	1
	C0060	12-24		11040532	Plug assembly	3
	C0100	12-24		149041	Spool	1
	C0110	12-24		710855	Screw, M8 x 35	4
	C0130	12-24		149040	Control seal	1
	C0300	12-24		11086158	Protective cover	1
	C0320	12-24		395822	Screw, M6 x 12mm	2
	BD	C0010	12-14		11110071	Control housing, 2-position
C0050		12-14		140644	Plug assembly	2
C0060		12-14		11040532	Plug assembly	2
C0070		12-14		11016228	Spool	1
C0080		12-14		11067002	Spring	1
C0090		12-14		509360	Adjuster	1
C0110		12-14		737866 (9007314-1207)	Screw, M12 x 30	2
C0120		12-14		283325 (9007314-1211)	Screw, M12 x 50	2
C0130		12-14		11016168	Control seal	1
M223		12-14		085043 (9004201-3700)	O-ring	1
M224		12-14		732479 (9004105-0100)	O-ring	1
CA		C0010	11-18		149057	Control housing, proportional
	C0025	11-18		11000893	Shuttle valve assembly	1
	C0050	11-18		140644	Plug assembly	1
	C0060	11-18		11040532	Plug assembly	3
	C0100	11-18		149041	Spool	1
	C0110	11-18		710855	Screw, M8 x 35	4
	C0130	11-18		149040	Control seal	1



Servo pressure supply

(D1 & D2)



E101 601E

\* = included in overhaul seal kit Q210

Enlarged **bold** type item numbers are recommended part to stock for servicing.



Servo pressure supply

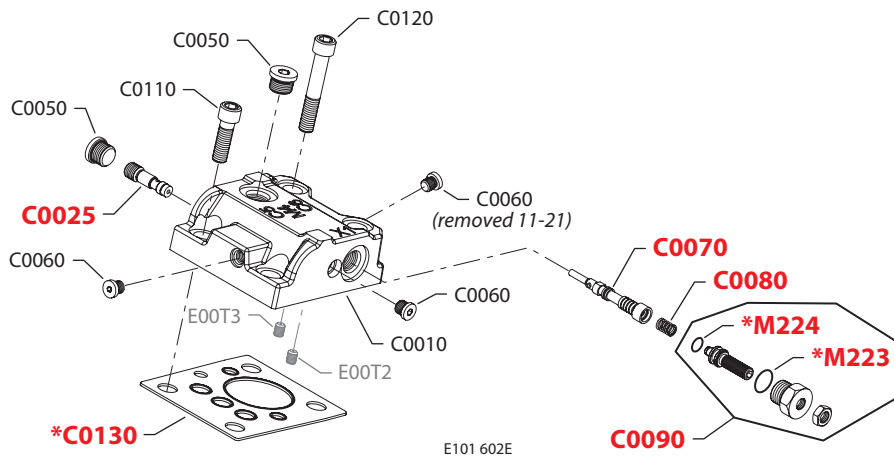
Servo pressure supply

Order Code	Item	Date Begin	Date End	Part Number	Part Name	Qty. per Model/Kit
D1	B0024	11-18		11031608	O-ring	1
	B0026	11-18		11027046	Coil nut	1
	B0028	11-18		063172	O-ring	1
	B0034	11-18		085043 (9004201-3700)	O-ring	1
	C0010	11-18		11086114	Control housing, PCOR	1
	C0020	11-18		11016229	Spool	1
	C0030	11-18		11067002	Spring	1
	C0040	11-18		11013615	Solenoid, on/off, 12 volt	1
	C0050	11-18		140644	Plug assembly	2
	C0060	11-22		11040532	Plug assembly	3
	C0060	11-18	11-21	11040532	Plug assembly	4
	C0070	11-18		11016228	Spool	1
	C0080	11-18		11067002	Spring	1
	C0090	11-18		509360	Adjuster	1
	C0110	11-18		737866 (9007314-1207)	Screw, M12 x 30	2
	C0120	11-18		283325 (9007314-1211)	Screw, M12 x 50	2
	C0130	11-18		11016168	Control seal	1
	C2000	11-18		11031763	Coil kit, 12 volt	1
	M223	11-18		085043 (9004201-3700)	O-ring	1
	M224	11-18		732479 (9004105-0100)	O-ring	1
D2	B0024	11-18		11031608	O-ring	1
	B0026	11-18		11027046	Coil nut	1
	B0028	11-18		063172	O-ring	1
	B0034	11-18		085043 (9004201-3700)	O-ring	1
	C0010	11-18		11086114	Control housing, PCOR	1
	C0020	11-18		11016229	Spool	1
	C0030	11-18		11067002	Spring	1
	C0040	11-18		11013616	Solenoid, on/off, 24 volt	1
	C0050	11-18		140644	Plug assembly	2
	C0060	11-22		11040532	Plug assembly	3
	C0060	11-18	11-21	11040532	Plug assembly	4
	C0070	11-18		11016228	Spool	1
	C0080	11-18		11067002	Spring	1
	C0090	11-18		509360	Adjuster	1
	C0110	11-18		737866 (9007314-1207)	Screw, M12 x 30	2
	C0120	11-18		283325 (9007314-1211)	Screw, M12 x 50	2
	C0130	11-18		11016168	Control seal	1
	C2000	11-18		11031764	Coil kit, 24 volt	1
	M223	11-18		085043 (9004201-3700)	O-ring	1
	M224	11-18		732479 (9004105-0100)	O-ring	1

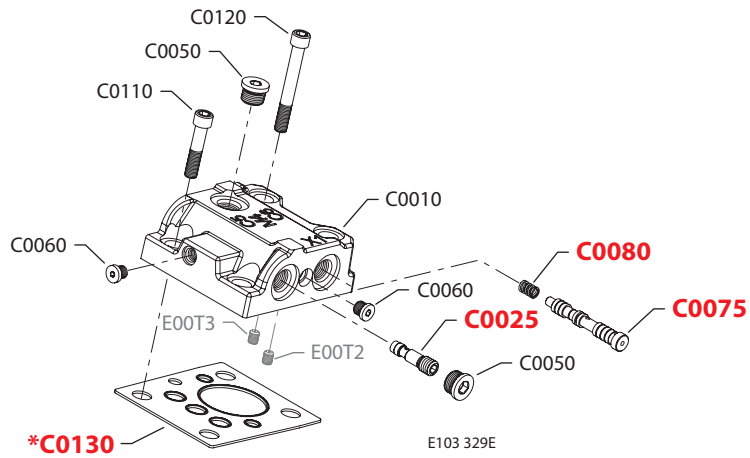


Servo pressure supply

(DA)



(EA)



\* = included in overhaul seal kit Q210

Enlarged **bold** type item numbers are recommended part to stock for servicing.



Servo pressure supply

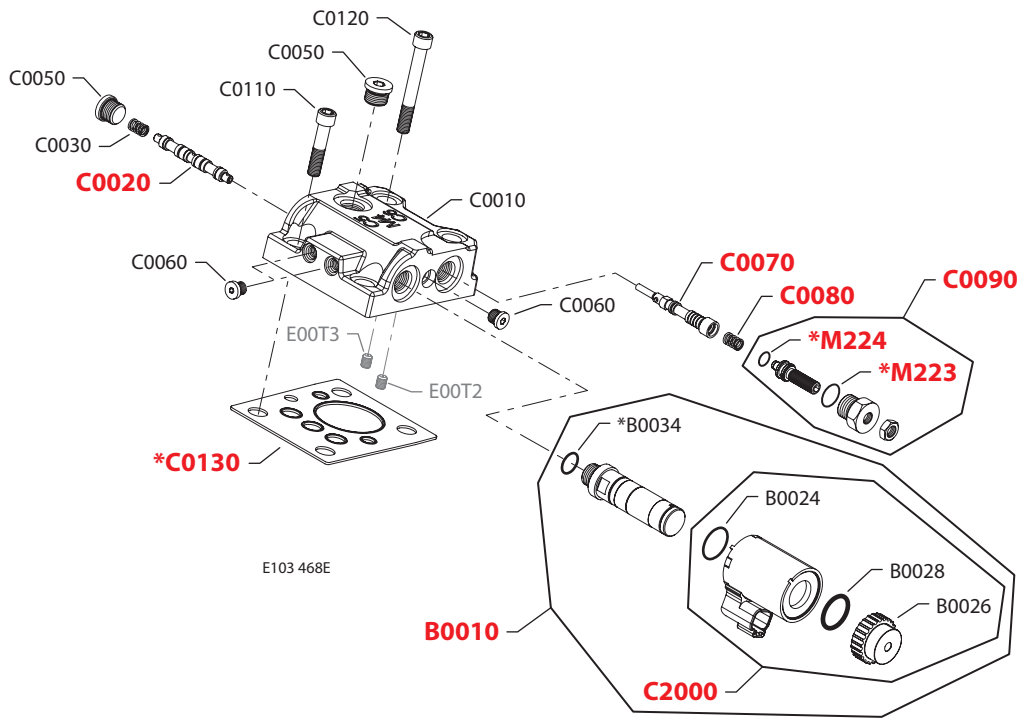
Servo pressure supply

Order Code	Item	Date Begin	Date End	Part Number	Part Name	Qty. per Model/Kit	
DA	C0010	11-18		11086115	Control housing, PCOR	1	
	C0025	11-18		11000893	Shuttle valve assembly	1	
	C0050	11-18		140644	Plug assembly	2	
	C0060	11-22		11040532	Plug assembly	2	
	C0060	11-18	11-21	11040532	Plug assembly	3	
	C0070	11-18		11016228	Spool	1	
	C0080	11-18		11067002	Spring	1	
	C0090	11-18		509360	Adjuster	1	
	C0110	11-18		737866 (9007314-1207)	Screw, M12 x 30	2	
	C0120	11-18		283325 (9007314-1211)	Screw, M12 x 50	2	
	C0130	11-18		11016168	Control seal	1	
	M223	11-18		085043 (9004201-3700)	O-ring	1	
	M224	11-18		732479 (9004105-0100)	O-ring	1	
	EA	C0010	11-22		11099281	Control housing, 2-position	1
		C0025	11-22		11000893	Shuttle valve assembly	1
		C0050	11-22		140644	Plug assembly	2
C0060		11-22		11040532	Plug assembly	2	
C0075		11-22		11122114	Spool, 2-position	1	
C0080		11-22		11067002	Spring	1	
C0110		11-22		737866 (9007314-1207)	Screw, M12 x 30	2	
C0120		11-22		283325 (9007314-1211)	Screw, M12 x 50	2	
C0130		11-22		11016168	Control seal	1	



Servo pressure supply

(G1 & G2)



\* = included in overhaul seal kit Q210

Enlarged **bold** type item numbers are recommended part to stock for servicing.





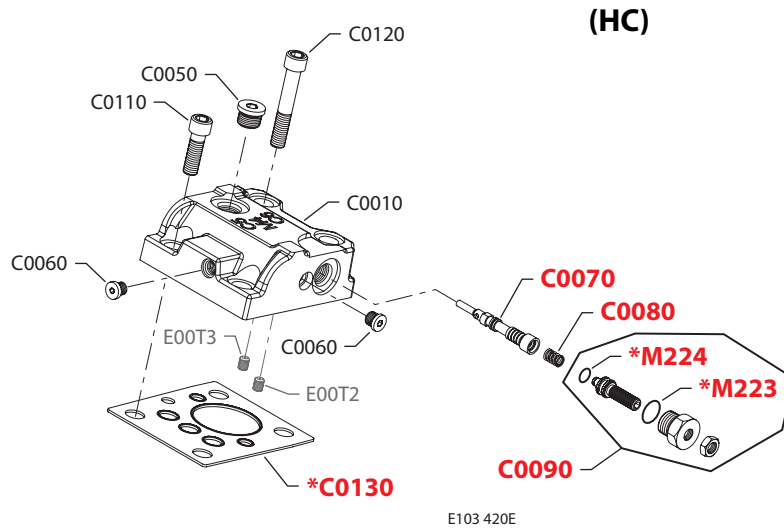
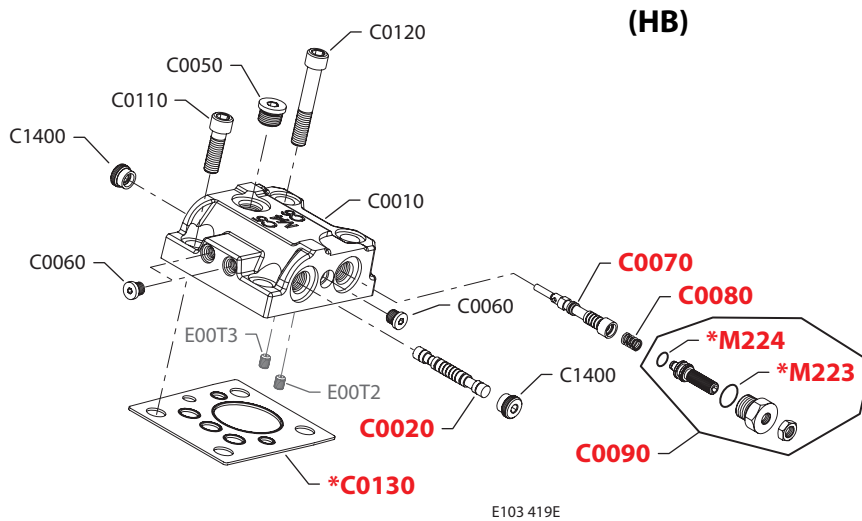
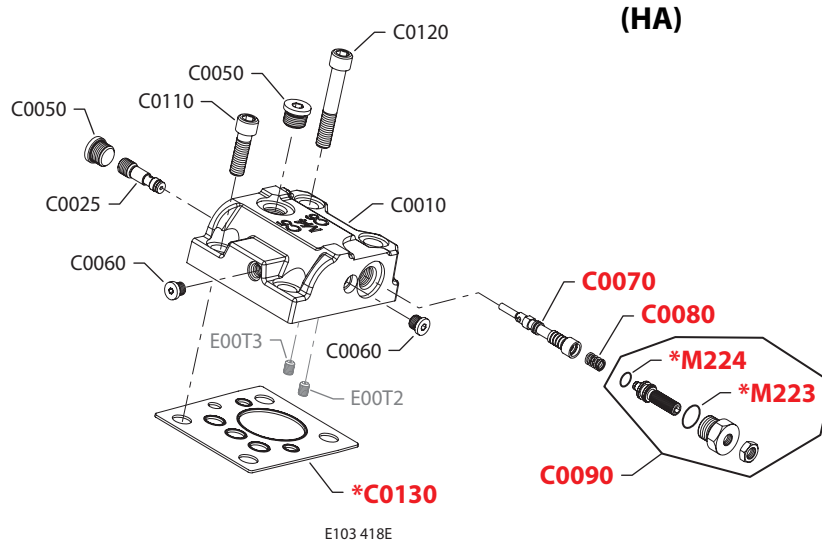
Servo pressure supply

Servo pressure supply

Order Code	Item	Date Begin	Date End	Part Number	Part Name	Qty. per Model/Kit
G1	B0024	16-07		11031608	O-ring	1
	B0026	16-07		11027046	Coil nut	1
	B0028	16-07		063172	O-ring	1
	B0034	16-07		085043 (9004201-3700)	O-ring	1
	C0010	16-07		11173253	Control housing, 2-position	1
	C0020	16-07		11016229	Spool	1
	C0030	16-07		11067002	Spring	1
	C0040	16-07		11013615	Solenoid valve, 12v	1
	C0050	16-07		140644	Plug assembly	2
	C0060	16-07		11040532	Plug assembly	3
	C0070	16-07		11016228	Spool	1
	C0080	16-07		11067002	Spring	1
	C0090	16-07		509360	Adjuster	1
	C0110	16-07		737866 (9007314-1207)	Screw, M12 x 30	2
	C0120	16-07		283325 (9007314-1211)	Screw, M12 x 50	2
	C0130	16-07		11016168	Control seal	1
	C2000	16-07		11031763	Coil kit, 12v	1
	M223	16-07		085043 (9004201-3700)	O-ring	1
	M224	16-07		732479 (9004105-0100)	O-ring	1
	G2	B0024	16-07		11031608	O-ring
B0026		16-07		11027046	Coil nut	1
B0028		16-07		063172	O-ring	1
B0034		16-07		085043 (9004201-3700)	O-ring	1
C0010		16-07		11173253	Control housing, 2-position	1
C0020		16-07		11016229	Spool	1
C0030		16-07		11067002	Spring	1
C0040		16-07		11013616	Solenoid valve, 24v	1
C0050		16-07		140644	Plug assembly	2
C0060		16-07		11040532	Plug assembly	3
C0070		16-07		11016228	Spool	1
C0080		16-07		11067002	Spring	1
C0090		16-07		509360	Adjuster	1
C0110		16-07		737866 (9007314-1207)	Screw, M12 x 30	2
C0120		16-07		283325 (9007314-1211)	Screw, M12 x 50	2
C0130		16-07		11016168	Control seal	1
C2000		16-07		11031764	Coil kit, 24v	1
M223		16-07		085043 (9004201-3700)	O-ring	1
M224		16-07		732479 (9004105-0100)	O-ring	1



Servo pressure supply



\* = included in overhaul seal kit Q210

Enlarged **bold** type item numbers are recommended part to stock for servicing.

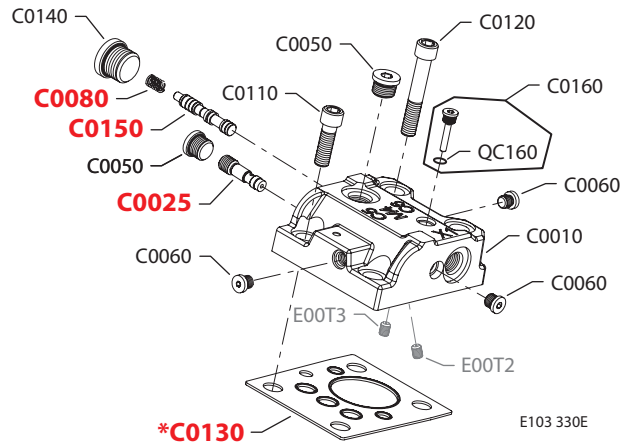

**Servo pressure supply**
**Servo pressure supply**

Order Code	Item	Date Begin	Date End	Part Number	Part Name	Qty. per Model/Kit	
HA	C0010	15-37		11162117	Control housing, 2-position	1	
	C0025	15-37		11000893	Shuttle valve assembly	1	
	C0050	15-37		140644	Plug assembly	2	
	C0060	15-37		11040532	Plug assembly	2	
	C0070	15-37		11016228	Spool	1	
	C0080	15-37		11067002	Spring	1	
	C0090	15-37		509360	Adjuster	1	
	C0110	15-37		737866 (9007314-1207)	Screw, M12 x 30	2	
	C0120	15-37		283325 (9007314-1211)	Screw, M12 x 50	2	
	C0130	15-37		11016168	Control seal	1	
	M223	15-37		085043 (9004201-3700)	O-ring	1	
	M224	15-37		732479 (9004105-0100)	O-ring	1	
	HB	C0010	15-37		11162118	Control housing, 2-position	1
		C0020	15-37		11162120	Spool	1
C0050		15-37		140644	Plug assembly	1	
C0060		15-37		11040532	Plug assembly	3	
C0070		15-37		11016228	Spool	1	
C0080		15-37		11067002	Spring	1	
C0090		15-37		509360	Adjuster	1	
C0110		15-37		737866 (9007314-1207)	Screw, M12 x 30	2	
C0120		15-37		283325 (9007314-1211)	Screw, M12 x 50	2	
C0130		15-37		11016168	Control seal	1	
C1400		15-37		11151817	Limiter plug	2	
M223		15-37		085043 (9004201-3700)	O-ring	1	
M224		15-37		732479 (9004105-0100)	O-ring	1	
HC		C0010	15-37		11162119	Control housing, 2-position	1
	C0050	15-37		140644	Plug assembly	1	
	C0060	15-37		11040532	Plug assembly	2	
	C0070	15-37		11016228	Spool	1	
	C0080	15-37		11067002	Spring	1	
	C0090	15-37		509360	Adjuster	1	
	C0110	15-37		737866 (9007314-1207)	Screw, M12 x 30	2	
	C0120	15-37		283325 (9007314-1211)	Screw, M12 x 50	2	
	C0130	15-37		11016168	Control seal	1	
	M223	15-37		085043 (9004201-3700)	O-ring	1	
	M224	15-37		732479 (9004105-0100)	O-ring	1	

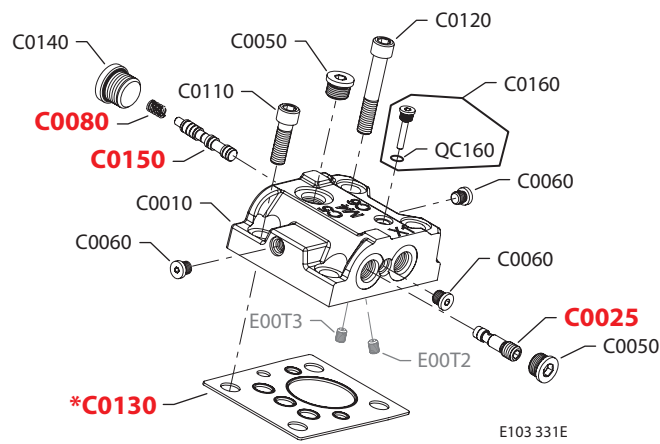


Servo pressure supply

(HE)



(HF)



\* = included in overhaul seal kit Q210

Enlarged **bold** type item numbers are recommended part to stock for servicing.

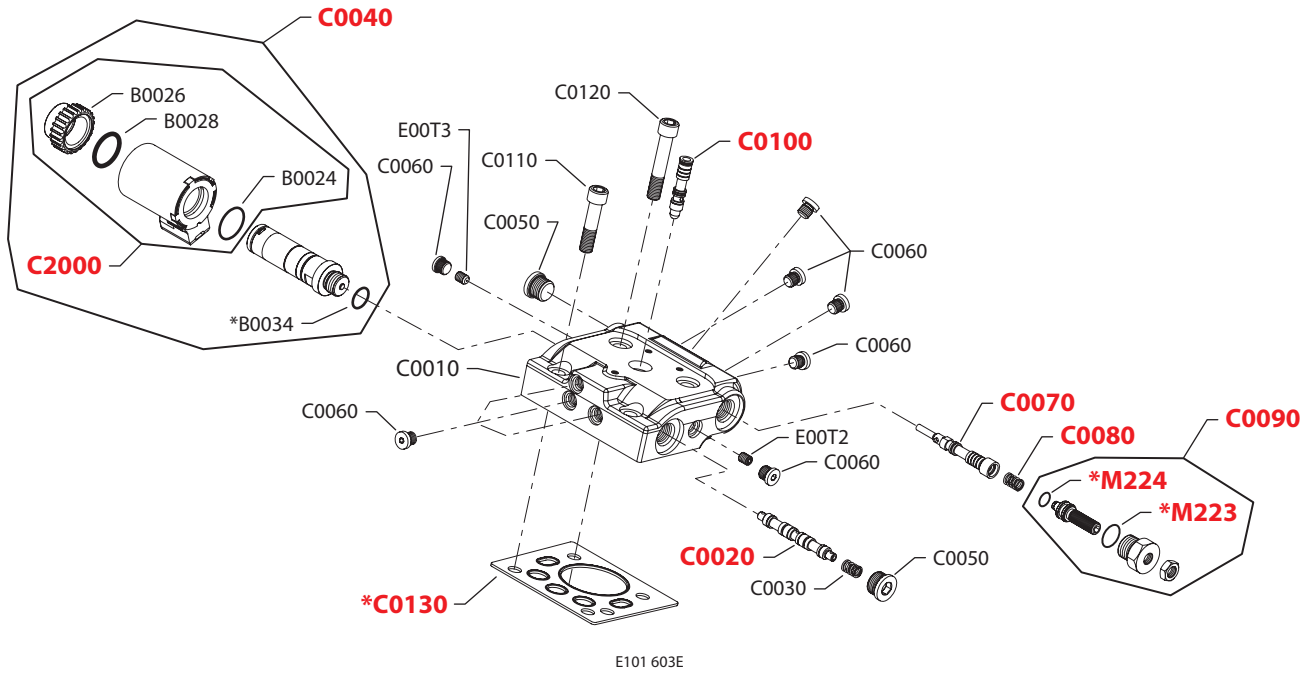

**Servo pressure supply**
**Servo pressure supply**

Order Code	Item	Date Begin	Date End	Part Number	Part Name	Qty. per Model/Kit
HE	C0010	11-18		11086117	Control housing, 2-position	1
	C0025	11-18		11000893	Shuttle valve assembly	1
	C0050	11-18		140644	Plug assembly	2
	C0060	11-18		11040532	Plug assembly	3
	C0080	11-18		11067002	Spring	1
	C0110	11-18		737866 (9007314-1207)	Screw, M12 x 30	2
	C0120	11-18		283325 (9007314-1211)	Screw, M12 x 50	2
	C0130	11-18		11016168	Control seal	1
	C0140	11-18		315325 (9005110-8700)	Plug assembly	1
	C0150	11-18		11068172	Spool	1
	C0160	11-18		511244	Plug assembly	1
	QC160	11-18		039297 (9004201-1200)	O-ring	1
HE, metric	C0010	11-18		11086117	Control housing, 2-position, metric	1
	C0025	11-18		11000893	Shuttle valve assembly	1
	C0050	11-18		5000438	Plug assembly, M14	2
	C0060	11-18		11040532	Plug assembly	3
	C0080	11-18		11067002	Spring	1
	C0110	11-18		737866 (9007314-1207)	Screw, M12 x 30	2
	C0120	11-18		283325 (9007314-1211)	Screw, M12 x 50	2
	C0130	11-18		11016168	Control seal	1
	C0140	11-18		5000439	Plug assembly, M22	1
	C0150	11-18		11068172	Spool	1
	C0160	11-18		511244	Plug assembly	1
	QC160	11-18		039297 (9004201-1200)	O-ring	1
HF	C0010	11-18		11086118	Control housing, 2-position	1
	C0025	11-18		11000893	Shuttle valve assembly	1
	C0050	11-18		140644	Plug assembly	2
	C0060	11-18		11040532	Plug assembly	3
	C0080	11-18		11067002	Spring	1
	C0110	11-18		737866 (9007314-1207)	Screw, M12 x 30	2
	C0120	11-18		283325 (9007314-1211)	Screw, M12 x 50	2
	C0130	11-18		11016168	Control seal	1
	C0140	11-18		315325 (9005110-8700)	Plug assembly	1
	C0150	11-18		11068172	Spool	1
	C0160	11-18		511244	Plug assembly	1
	QC160	11-18		039297 (9004201-1200)	O-ring	1



Servo pressure supply

(K1 & K2)



\* = included in overhaul seal kit Q210

Enlarged **bold** type item numbers are recommended part to stock for servicing.


**Servo pressure supply**
**Servo pressure supply**

Order Code	Item	Date Begin	Date End	Part Number	Part Name	Qty. per Model/Kit
K1	B0024	11-18		11031608	O-ring	1
	B0026	11-18		11027046	Coil nut	1
	B0028	11-18		063172	O-ring	1
	B0034	11-18		085043 (9004201-3700)	O-ring	1
	C0010	11-18		11026748	Control housing, proportional, PCOR	1
	C0020	11-18		11026792	Spool	1
	C0030	11-18		11067002	Spring	1
	C0040	11-18		11013615	Solenoid, on/off, 12 volt	1
	C0050	11-18		140644	Plug assembly	2
	C0060	11-18		11040532	Plug assembly	9
	C0070	11-18		11026751	Spool	1
	C0080	11-18		11067002	Spring	1
	C0090	11-18		509360	Adjuster	1
	C0100	11-18		149041	Spool	1
	C0110	11-18		710855	Screw, M8 x 35	2
	C0120	11-18		746644 (9007314-0810)	Screw, M8 x 45	2
	C0130	11-18		149040	Control seal	1
	C2000	11-18		11031763	Coil kit, 12 volt	1
	M223	11-18		085043 (9004201-3700)	O-ring	1
	M224	11-18		732479 (9004105-0100)	O-ring	1
K2	B0024	11-18		11031608	O-ring	1
	B0026	11-18		11027046	Coil nut	1
	B0028	11-18		063172	O-ring	1
	B0034	11-18		085043 (9004201-3700)	O-ring	1
	C0010	11-18		11026748	Control housing, proportional, PCOR	1
	C0020	11-18		11026792	Spool	1
	C0030	11-18		11067002	Spring	1
	C0040	11-18		11013616	Solenoid, on/off, 24 volt	1
	C0050	11-18		140644	Plug assembly	2
	C0060	11-18		11040532	Plug assembly	9
	C0070	11-18		11026751	Spool	1
	C0080	11-18		11067002	Spring	1
	C0090	11-18		509360	Adjuster	1
	C0100	11-18		149041	Spool	1
	C0110	11-18		710855	Screw, M8 x 35	2
	C0120	11-18		746644 (9007314-0810)	Screw, M8 x 45	2
	C0130	11-18		149040	Control seal	1
	C2000	11-18		11031764	Coil kit, 24 volt	1
	M223	11-18		085043 (9004201-3700)	O-ring	1
	M224	11-18		732479 (9004105-0100)	O-ring	1







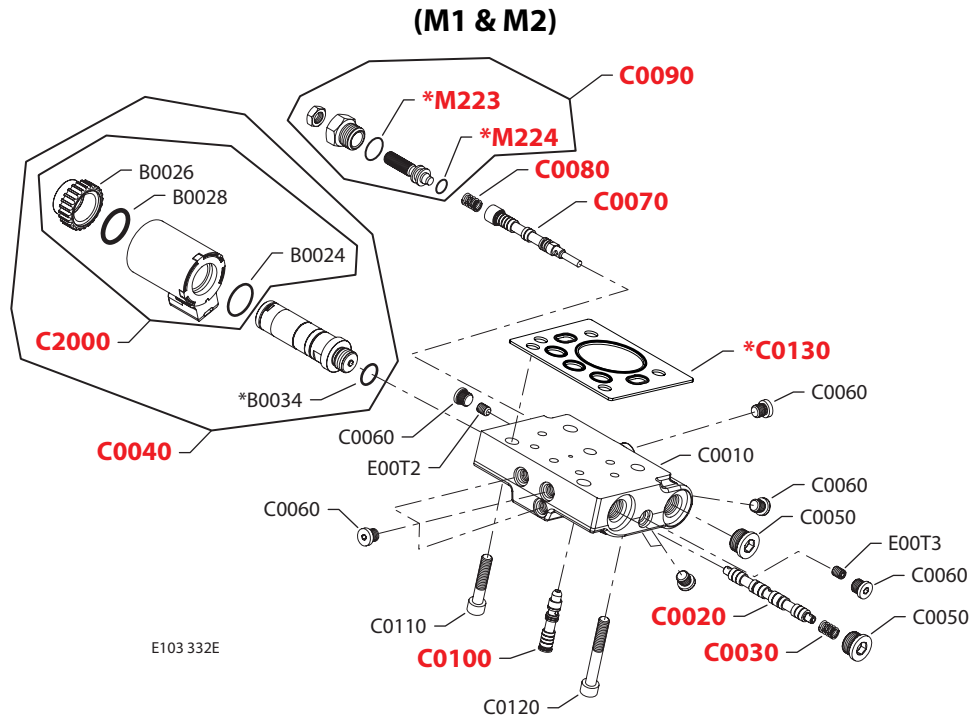
Servo pressure supply

Servo pressure supply

Order Code	Item	Date Begin	Date End	Part Number	Part Name	Qty. per Model/Kit	
KA	C0010	11-18		11026749	Control housing, proportional, PCOR	1	
	C0025	11-18		11000893	Shuttle valve assembly	1	
	C0050	11-18		140644	Plug assembly	2	
	C0060	11-18		11040532	Plug assembly	8	
	C0070	11-18		11026751	Spool	1	
	C0080	11-18		11067002	Spring	1	
	C0090	11-18		509360	Adjuster	1	
	C100	11-18		149041	Spool	1	
	C0110	11-18		710855	Screw, M8 x 35	2	
	C0120	11-18		746644 (9007314-0810)	Screw, M8 x 45	2	
	C0130	11-18		149040	Control seal	1	
	M223	11-18		085043 (9004201-3700)	O-ring	1	
	M224	11-18		732479 (9004105-0100)	O-ring	1	
	KH	C0010	15-48		11161283	Control housing, proportional, PCOR	1
		C0020	15-48		11151818	Spool	1
C0050		15-48		140644	Plug assembly	1	
C0060		15-48		11040532	Plug assembly	9	
C0070		15-48		11026751	Spool	1	
C0080		15-48		11067002	Spring	1	
C0090		15-48		509360	Adjuster	1	
C0100		15-48		149041	Spool	1	
C0110		15-48		710855	Screw, M8 x 35	2	
C0120		15-48		746644 (9007314-0810)	Screw, M8 x 45	2	
C0130		15-48		149040	Control seal	1	
C1400		15-48		11151817	Limiter plug	2	
M223		15-48		085043 (9004201-3700)	O-ring	1	
M224		15-48		732479 (9004105-0100)	O-ring	1	



Servo pressure supply



\* = included in overhaul seal kit Q210

Enlarged **bold** type item numbers are recommended part to stock for servicing.

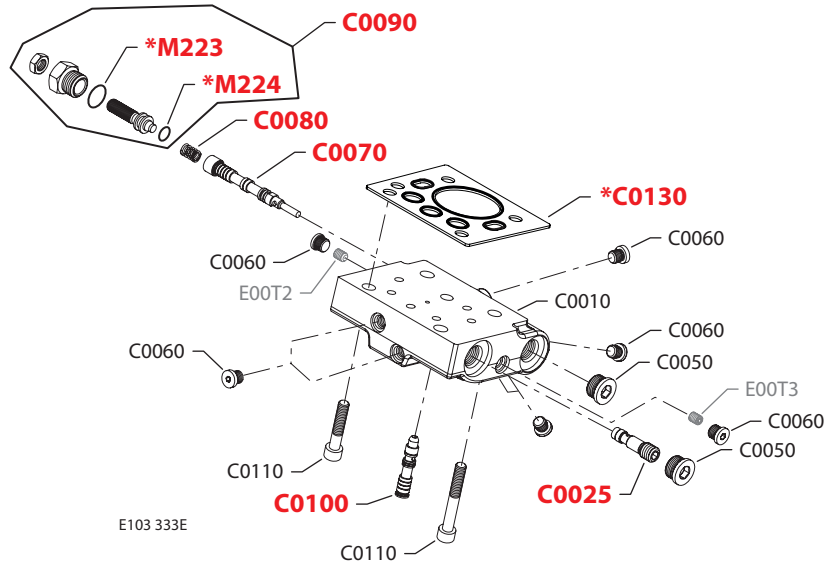

**Servo pressure supply**
**Servo pressure supply**

Order Code	Item	Date Begin	Date End	Part Number	Part Name	Qty. per Model/Kit
M1	B0024	11-18		11031608	O-ring	1
	B0026	11-18		11027046	Coil nut	1
	B0028	11-18		063172	O-ring	1
	B0034	11-18		085043 (9004201-3700)	O-ring	1
	C0010	11-18		11028958	Control housing, proportional, PCOR	1
	C0020	11-18		11026792	Spool	1
	C0030	11-18		11067002	Spring	1
	C0040	11-18		11013615	Solenoid, on/off, 12 volt	1
	C0050	11-18		140644	Plug assembly	2
	C0060	11-18		11040532	Plug assembly	9
	C0070	11-18		11028957	Spool	1
	C0080	11-18		11067002	Spring	1
	C0090	11-18		509360	Adjuster	1
	C0100	11-18		149041	Spool	1
	C0110	11-18		710855	Screw, M8 x 35	2
	C0120	11-18		746644 (9007314-0810)	Screw, M8 x 45	2
	C0130	11-18		149040	Control seal	1
	C2000	11-18		11031763	Coil kit, 12 volt	1
	M223	11-18		085043 (9004201-3700)	O-ring	1
	M224	11-18		732479 (9004105-0100)	O-ring	1
M2	B0024	11-18		11031608	O-ring	1
	B0026	11-18		11027046	Coil nut	1
	B0028	11-18		063172	O-ring	1
	B0034	11-18		085043 (9004201-3700)	O-ring	1
	C0010	11-18		11028958	Control housing, proportional, PCOR	1
	C0020	11-18		11026792	Spool	1
	C0030	11-18		11067002	Spring	1
	C0040	11-18		11013616	Solenoid, on/off, 24 volt	1
	C0050	11-18		140644	Plug assembly	2
	C0060	11-18		11040532	Plug assembly	9
	C0070	11-18		11028957	Spool	1
	C0080	11-18		11067002	Spring	1
	C0090	11-18		509360	Adjuster	1
	C0100	11-18		149041	Spool	1
	C0110	11-18		710855	Screw, M8 x 35	2
	C0120	11-18		746644 (9007314-0810)	Screw, M8 x 45	2
	C0130	11-18		149040	Control seal	1
	C2000	11-18		11031764	Coil kit, 24 volt	1
	M223	11-18		085043 (9004201-3700)	O-ring	1
	M224	11-18		732479 (9004105-0100)	O-ring	1

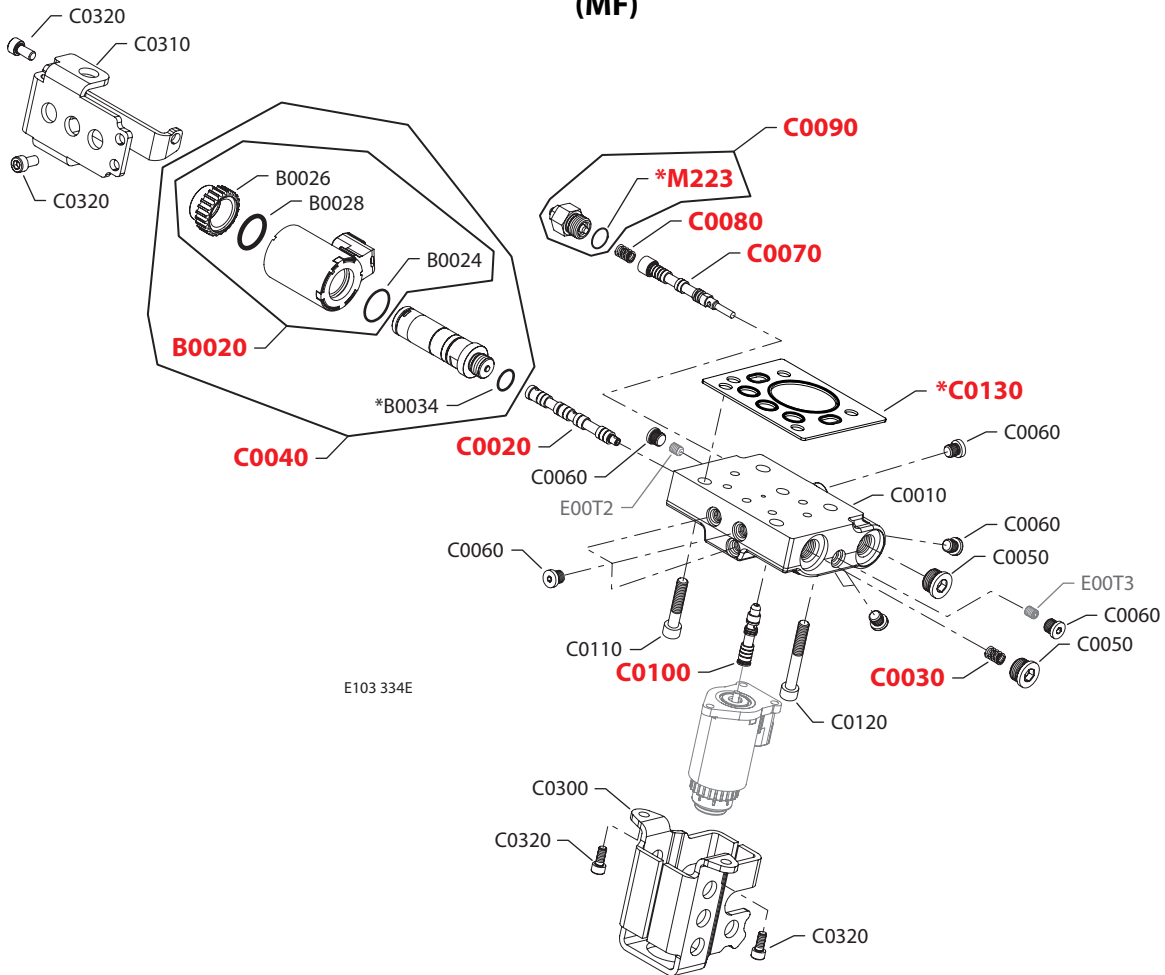


Servo pressure supply

(MA)



(MF)



\* = included in overhaul seal kit Q210

Enlarged **bold** type item numbers are recommended part to stock for servicing.

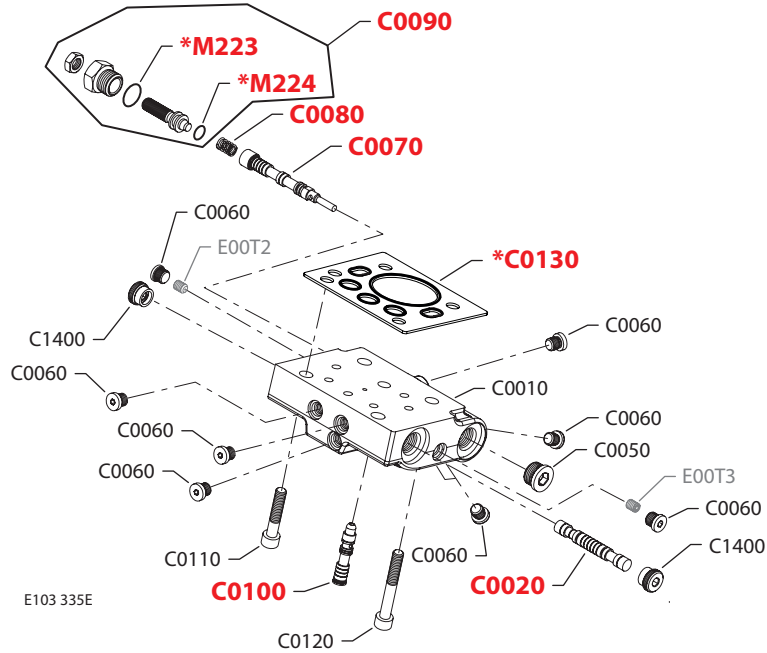

**Servo pressure supply**
**Servo pressure supply**

Order Code	Item	Date Begin	Date End	Part Number	Part Name	Qty. per Model/Kit
MA	C0010	11-18		11028959	Control housing, proportional, PCOR	1
	C0025	11-18		11000893	Spool	1
	C0050	11-18		140644	Plug assembly	2
	C0060	11-18		11040532	Plug assembly	8
	C0070	11-18		11028957	Spool	1
	C0080	11-18		11067002	Spring	1
	C0090	11-18		509360	Adjuster	1
	C0100	11-18		149041	Spool	1
	C0110	11-18		710855	Screw, M8 x 35	2
	C0120	11-18		746644 (9007314-0810)	Screw, M8 x 45	2
	C0130	11-18		149040	Control seal	1
	M223	11-18		085043 (9004201-3700)	O-ring	1
	M224	11-18		732479 (9004105-0100)	O-ring	1
	MF	B0020	12-05		11031763	Coil kit, 12 volt
B0024		12-05		11031608	O-ring	1
B0026		12-05		11027046	Coil nut	1
B0028		12-05		063172	O-ring	1
B0034		12-05		085043 (9004201-3700)	O-ring	1
C0010		12-05		11123556	Control housing, proportional, PCOR	1
C0020		12-05		11101616	Spool	1
C0030		12-05		11067002	Spring	1
C0040		12-05		11013615	Solenoid, on/off, 12 volt	1
C0050		12-05		140644	Plug assembly	2
C0060		12-05		11040532	Plug assembly	9
C0070		12-05		11028957	Spool	1
C0080		12-05		11067002	Spring	1
C0090		12-05		509360	Adjuster	1
C0100		12-05		149041	Spool	1
C0110		12-05		710855	Screw, M8 x 35	2
C0120		12-05		746644 (9007314-0810)	Screw, M8 x 45	2
C0130		12-05		149040	Control seal	1
C0300		12-05		11086158	Protective cover	1
C0310		12-05		11086159	Protective cover	1
C0320		12-05		395822	Screw, M6 x 12mm	4
M223		12-05		085043 (9004201-3700)	O-ring	1
M224		12-05		732479 (9004105-0100)	O-ring	1

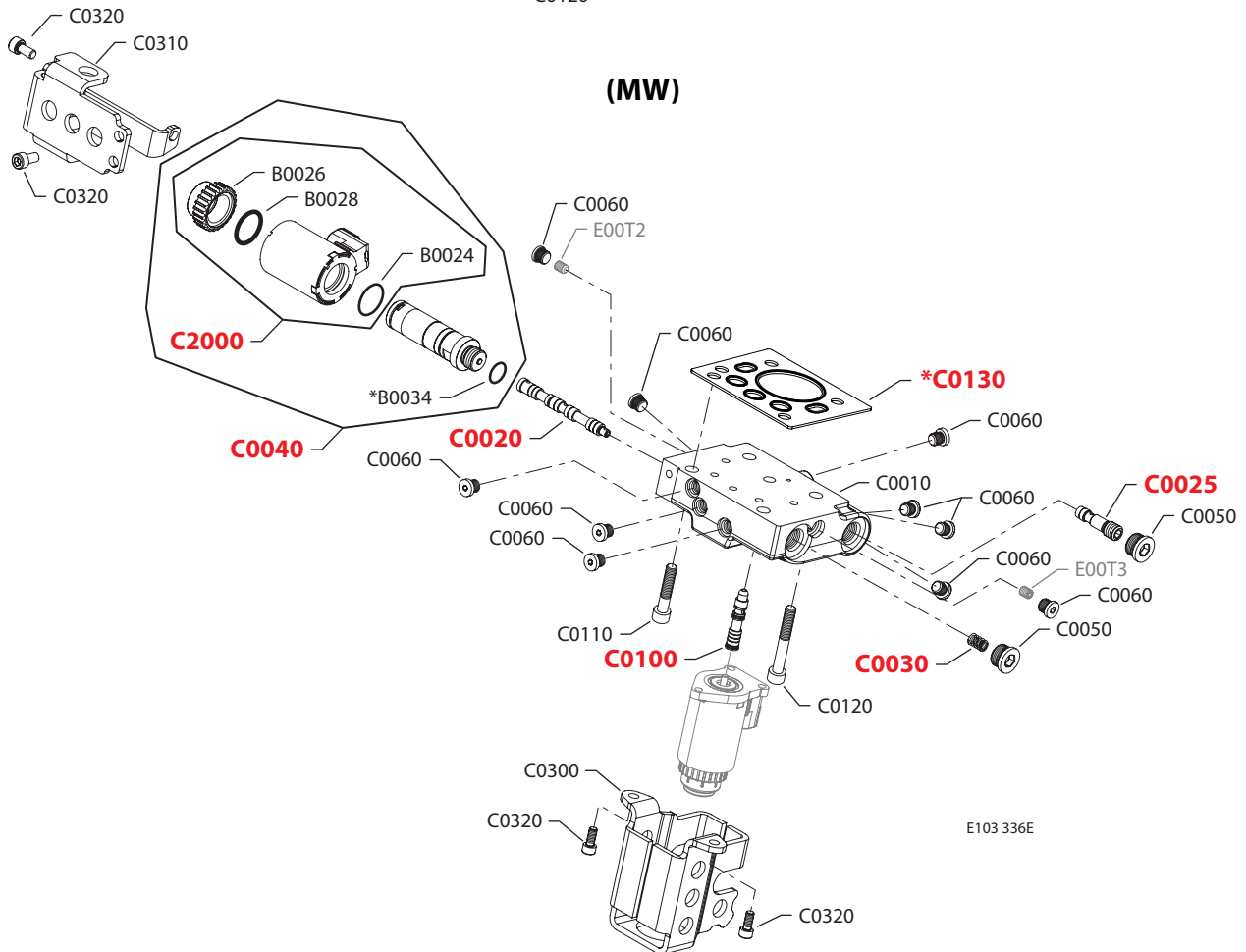


Servo pressure supply

(MH)



(MW)



\* = included in overhaul seal kit Q210

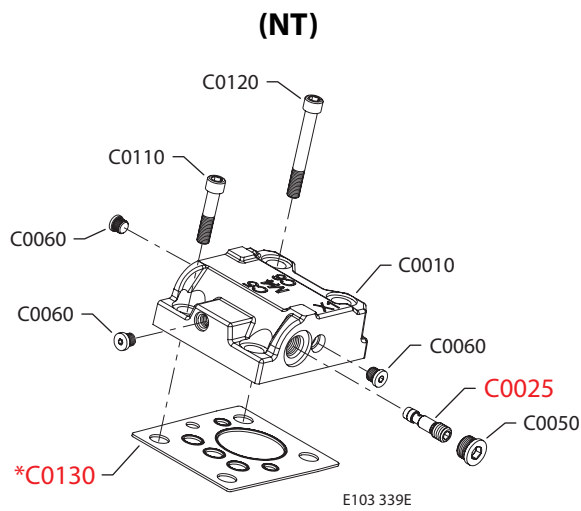
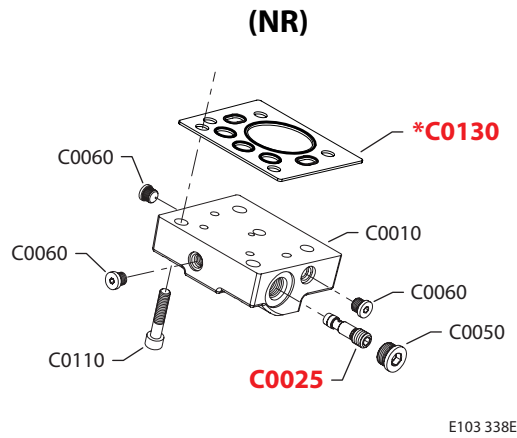
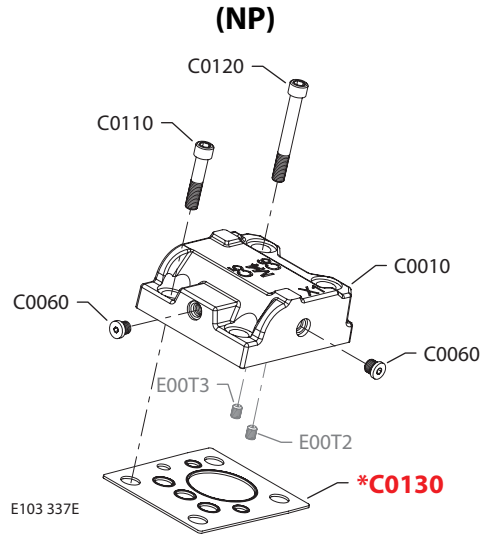
Enlarged **bold** type item numbers are recommended part to stock for servicing.


**Servo pressure supply**
**Servo pressure supply**

Order Code	Item	Date Begin	Date End	Part Number	Part Name	Qty. per Model/Kit
MH	C0010	14-37		11151816	Control housing, proportional, PCOR	1
	C0020	14-37		11151818	Spool	1
	C0050	14-37		140644	Plug assembly	1
	C0060	14-37		11040532	Plug assembly	9
	C0070	14-37		11028957	Spool	1
	C0080	14-37		11067002	Spring	1
	C0090	14-37		509360	Adjuster	1
	C0100	14-37		149041	Spool	1
	C0110	14-37		710855	Screw, M8 x 35	2
	C0120	14-37		746644 (9007314-0810)	Screw, M8 x 45	2
	C0130	14-37		149040	Control seal	1
	C1400	14-37		11151817	Limiter plug	2
	M223	14-37		085043 (9004201-3700)	O-ring	1
	M224	14-37		732479 (9004105-0100)	O-ring	1
MW	B0024	12-05		11031608	O-ring	1
	B0026	12-05		11027046	Coil nut	1
	B0028	12-05		063172	O-ring	1
	B0034	12-05		085043 (9004201-3700)	O-ring	1
	C0010	12-05		11101720	Control housing, proportional, PCOR	1
	C0020	12-05		11101616	Spool	1
	C0025	12-05		11000893	Shuttle valve assembly	1
	C0030	12-05		11067002	Spring	1
	C0040	12-05		11013615	Solenoid, on/off, 12 volt	1
	C0050	12-05		140644	Plug assembly	2
	C0060	12-05		11040532	Plug assembly	10
	C0100	12-05		149041	Spool	1
	C0110	12-05		710855	Screw, M8 x 35	2
	C0120	12-05		746644 (9007314-0810)	Screw, M8 x 45	2
	C0130	12-05		149040	Control seal	1
	C0300	12-05		11086158	Protective cover	1
	C0310	12-05		11086159	Protective cover	1
	C0320	12-05		395822	Screw, M6 x 12	4
C2000	12-05		11031763	Coil kit, 12 volt	1	



Servo pressure supply



\* = included in overhaul seal kit Q210

Enlarged **bold** type item numbers are recommended part to stock for servicing.




**Servo pressure supply**
**Servo pressure supply**

Order Code	Item	Date Begin	Date End	Part Number	Part Name	Qty. per Model/Kit
NP	C0010	11-18		11086116	Control housing, 2-position	1
	C0050	11-18		140644	Plug assembly	1
	C0060	11-18		11040532	Plug assembly	2
	C0110	11-18		737866 (9007314-1207)	Screw, M12 x 30	2
	C0120	11-18		283325 (9007314-1211)	Screw, M12 x 50	2
	C0130	11-18		11016168	Control seal	1
	NR	C0010	12-42		11123843	Control housing, proportional
C0025		12-42		11000893	Shuttle valve	1
C0050		12-42		140644	Plug assembly	1
C0060		12-42		11040532	Plug assembly	3
C0110		12-42		710855	Screw, M8 x 35	2
C0130		12-42		149040	Control seal	1
C0170		12-42		716860	Screw, M5 x 12	1
NT		C0010	12-42		11123847	Control housing, 2-position
	C0025	12-42		11000893	Shuttle valve	1
	C0050	12-42		140644	Plug assembly	1
	C0060	12-42		11040532	Plug assembly	3
	C0110	12-42		737866 (9007314-1207)	Screw, M12 x 30	2
	C0120	12-42		283325 (9007314-1211)	Screw, M12 x 50	2
	C0130	12-42		11016168	Control seal	1



Orifice

(A, C & D)



See servo pressure supply  
drawing for orifice location

E101 607E



**Orifice**

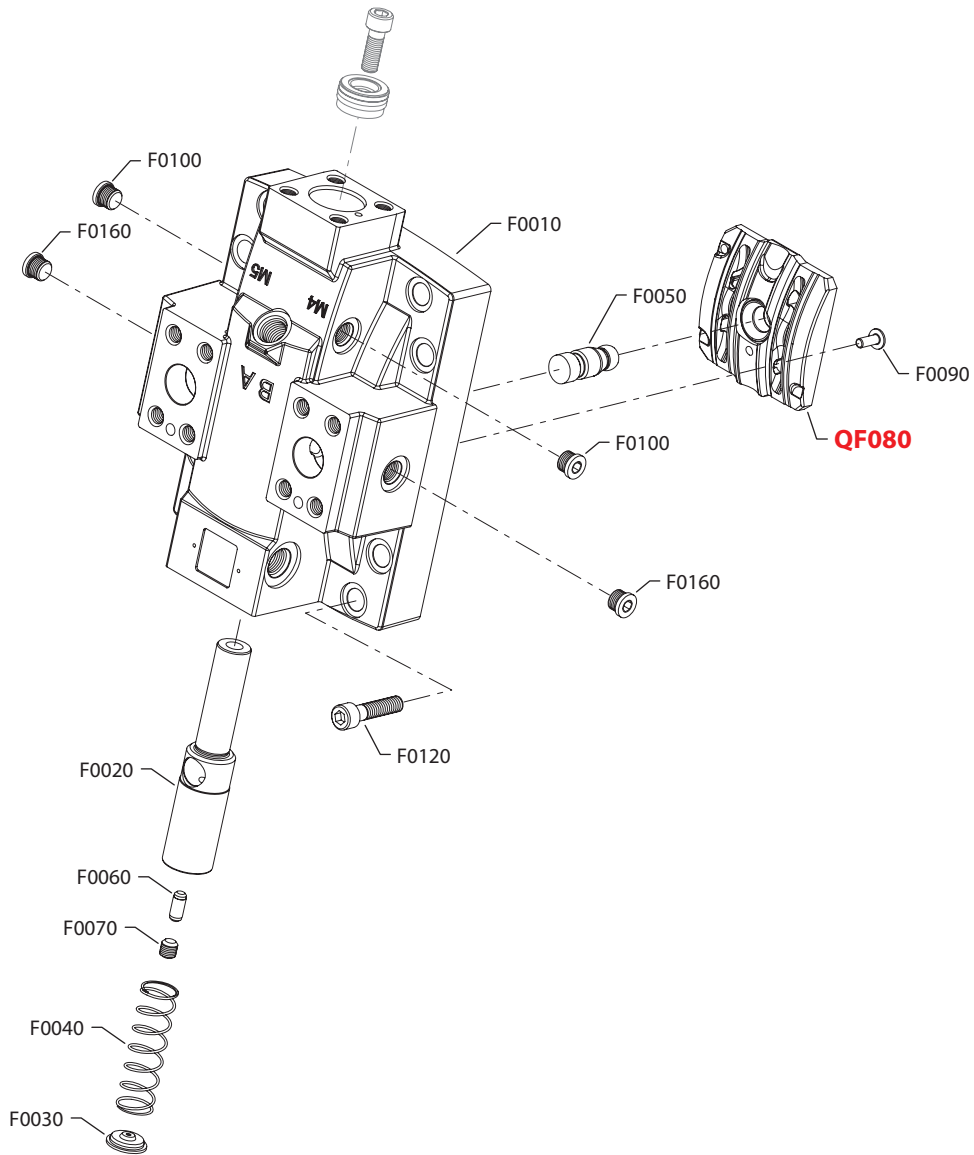
**Orifice**

Order Code	Item	Date Begin	Date End	Part Number	Part Name	Qty. per Model/Kit
A	E00T2	11-18		516598	Orifice plug, 1.2 mm	1
	E00T3	11-18		516598	Orifice plug, 1.2 mm	1
B	E00T2	11-18		578542	Orifice plug, 0.8 mm	1
	E00T3	11-18		578542	Orifice plug, 0.8 mm	1
C	E00T2	11-18		511825	Orifice plug, 0.6 mm	1
	E00T3	11-18		511825	Orifice plug, 0.6 mm	1
D	E00T2	11-18		679316	Orifice plug, 0.5 mm	1
	E00T3	11-18		679316	Orifice plug, 0.5 mm	1
N				None		



End cap

(PA)



E103 000E

\* = included in overhaul seal kit Q210

Enlarged **bold** type item numbers are recommended part to stock for servicing.

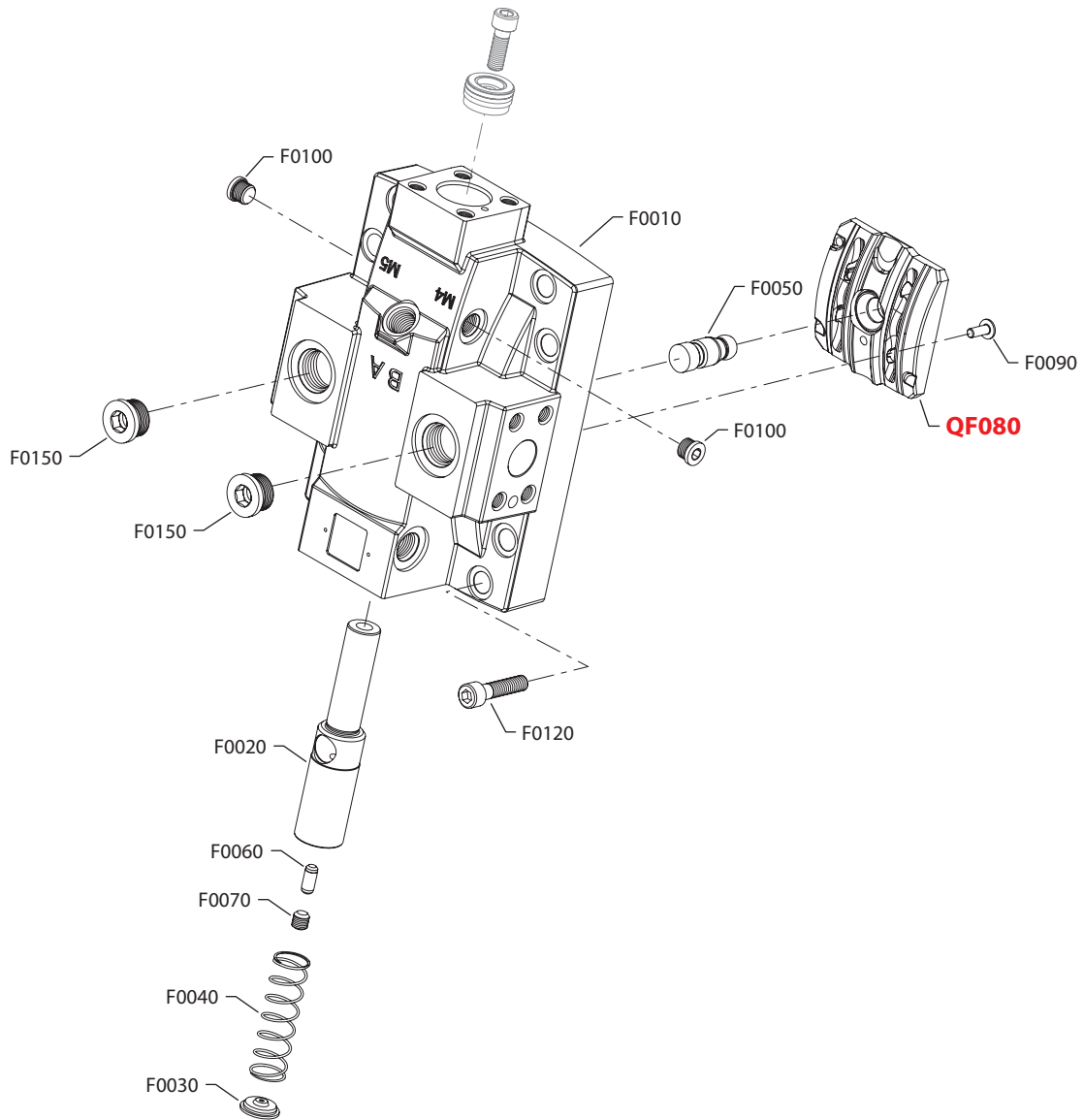

**End cap**
**End cap**

<b>Order Code</b>	<b>Item</b>	<b>Date Begin</b>	<b>Date End</b>	<b>Part Number</b>	<b>Part Name</b>	<b>Qty. per Model/Kit</b>
PA	F0010	13-23		11090018	End cap, axial ports	1
	F0020	13-23		11093066	Servo piston	1
	F0030	13-23		11090825	Spring guide	1
	F0040	13-23		11094299	Spring	1
	F0050	13-23		11093068	Setting lug	1
	F0060	13-23		11008915	Setting lug pin	1
	F0070	13-23		042465	Set screw, M10 x 10	1
	F0090	13-23		11014186	Button head screw	1
	F0100	13-23		140644	Plug assembly	2
	F0120	13-23		703900	Screw, M16 x 70	8
	F0160	13-23		140644	Plug assembly	2
	QF080	13-23		11086155	Valve segment assembly	1
PA, metric	F0010	13-23		11172638	End cap, axial ports, metric	1
	F0020	13-23		11093066	Servo piston	1
	F0030	13-23		11090825	Spring guide	1
	F0040	13-23		11094299	Spring	1
	F0050	13-23		11093068	Setting lug	1
	F0060	13-23		11008915	Setting lug pin	1
	F0070	13-23		042465	Set screw, M10 x 10	1
	F0090	13-23		11014186	Button head screw	1
	F0100	13-23		5000438	Plug assembly, M14	2
	F0120	13-23		703900	Screw, M16 x 70	8
	F0160	13-23		5000438	Plug assembly, M14	2
	QF080	13-23		11086155	Valve segment assembly	1



End cap

(PB)



E103 001E

\* = included in overhaul seal kit Q210

Enlarged **bold** type item numbers are recommended part to stock for servicing.

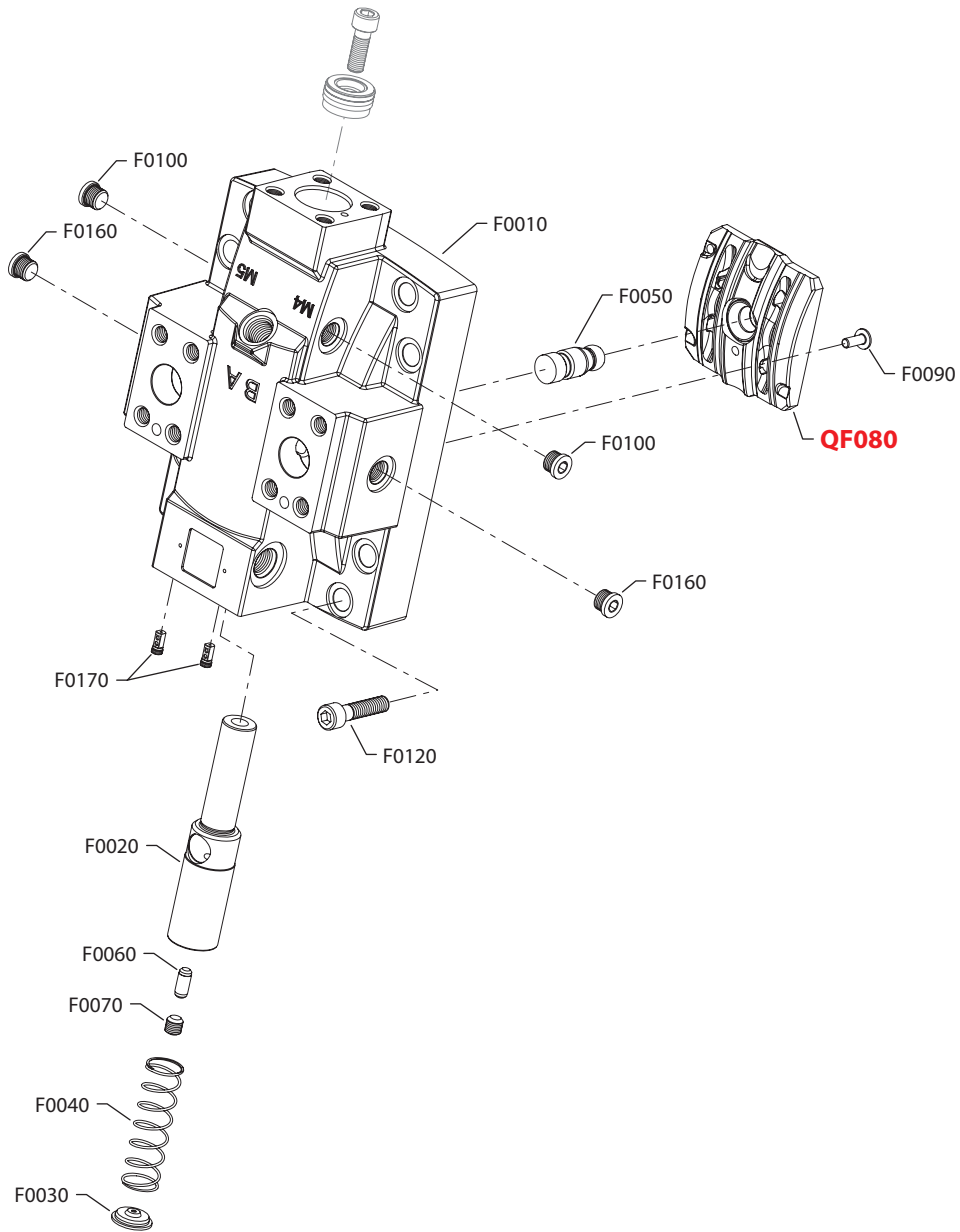

**End cap**
**End cap**

<b>Order Code</b>	<b>Item</b>	<b>Date Begin</b>	<b>Date End</b>	<b>Part Number</b>	<b>Part Name</b>	<b>Qty. per Model/Kit</b>
PB	F0010	13-23		11090017	End cap, side ports	1
	F0020	13-23		11093066	Servo piston	1
	F0030	13-23		11090825	Spring guide	1
	F0040	13-23		11094299	Spring	1
	F0050	13-23		11093068	Setting lug	1
	F0060	13-23		11008915	Setting lug pin	1
	F0070	13-23		042465	Set screw, M10 x 10	1
	F0090	13-23		11014186	Button head screw	1
	F0100	13-23		140644	Plug assembly	2
	F0120	13-23		703900	Screw, M16 x 70	8
	F0150	13-23		664524 (9005110-9000)	Plug assembly	2
	QF080	13-23		11086155	Valve segment assembly	1



End cap

(PF)



E103 421E

\* = included in overhaul seal kit Q210

Enlarged **bold** type item numbers are recommended part to stock for servicing.





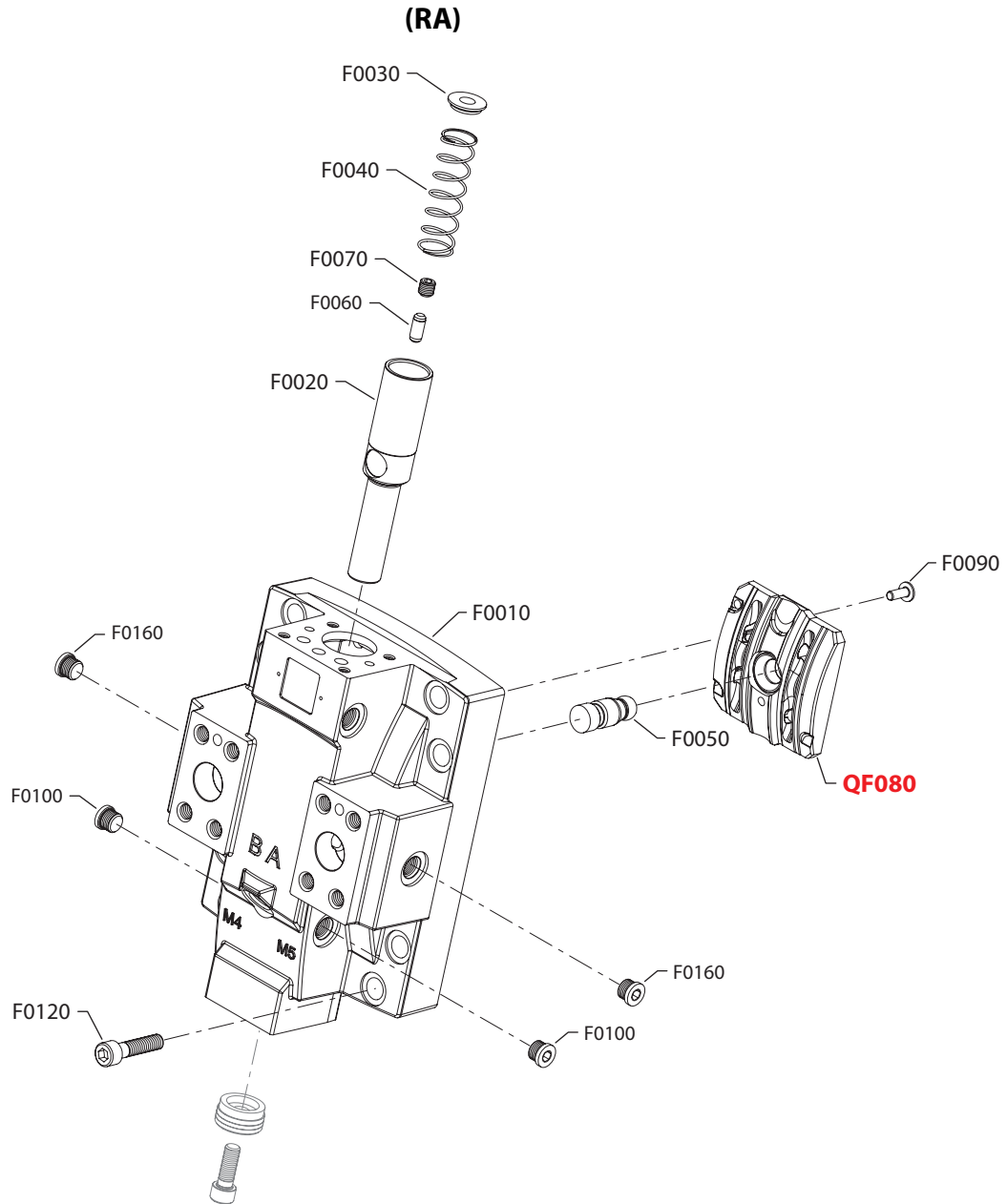
**End cap**

**End cap**

Order Code	Item	Date Begin	Date End	Part Number	Part Name	Qty. per Model/Kit
PF	F0010	13-23		11161881	End cap, axial ports	1
	F0020	13-23		11093066	Servo piston	1
	F0030	13-23		11090825	Spring guide	1
	F0040	13-23		11094299	Spring	1
	F0050	13-23		11093068	Setting lug	1
	F0060	13-23		11008915	Setting lug pin	1
	F0070	13-23		042465	Set screw, M10 x 10	1
	F0090	13-23		11014186	Button head screw	1
	F0100	13-23		140644	Plug assembly	2
	F0120	13-23		703900	Screw, M16 x 70	8
	F0160	13-23		140644	Plug assembly	2
	F0170	13-23		11124768	Edge filter	2
	QF080	13-23		11086155	Valve segment assembly	1



End cap



E103 002E

\* = included in overhaul seal kit Q210

Enlarged **bold** type item numbers are recommended part to stock for servicing.



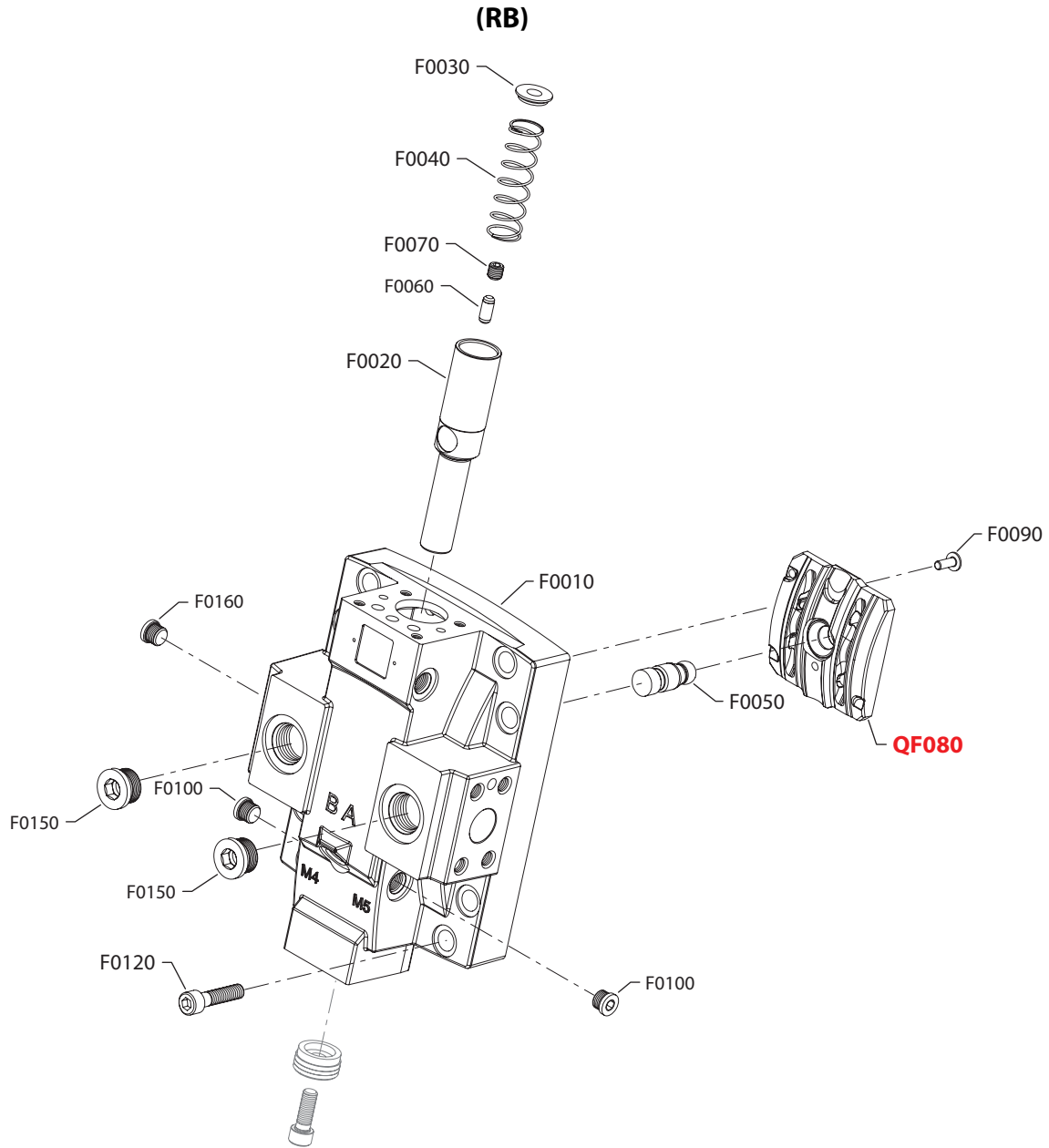
**End cap**

**End cap**

Order Code	Item	Date Begin	Date End	Part Number	Part Name	Qty. per Model/Kit
RA	F0010	13-23		11090018	End cap, axial ports	1
	F0020	13-23		11093066	Servo piston	1
	F0030	13-23		11090825	Spring guide	1
	F0040	13-23		11094299	Spring	1
	F0050	13-23		11093068	Setting lug	1
	F0060	13-23		11008915	Setting lug pin	1
	F0070	13-23		042465	Set screw, M10 x 10	1
	F0090	13-23		11014186	Button head screw	1
	F0100	13-23		140644	Plug assembly	2
	F0120	13-23		703900	Screw, M16 x 70	8
	F0160	13-23		140644	Plug assembly	2
	QF080	13-23		11086155	Valve segment assembly	1



End cap



E103 003E

\* = included in overhaul seal kit Q210

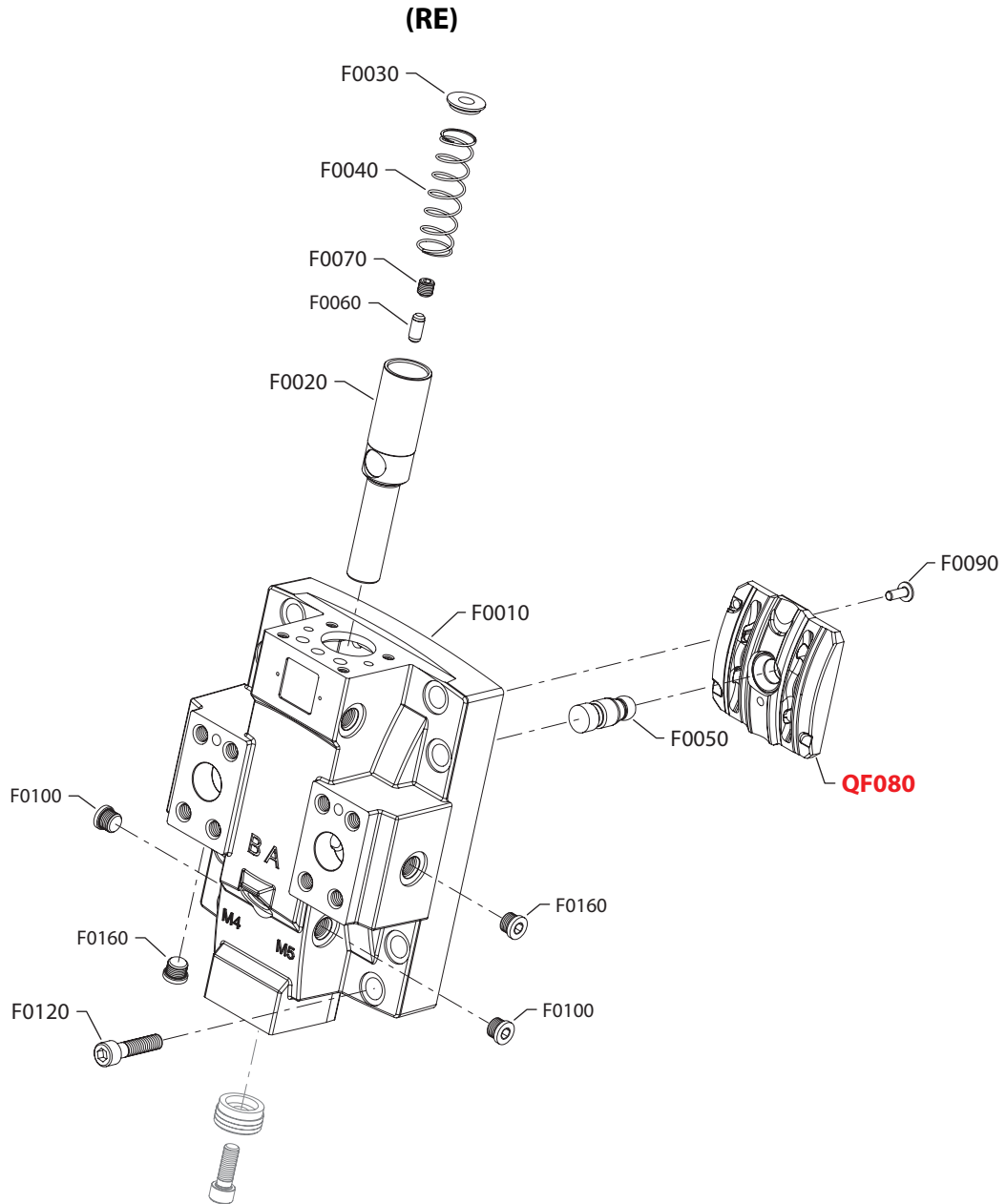
Enlarged **bold** type item numbers are recommended part to stock for servicing.


**End cap**
**End cap**

<b>Order Code</b>	<b>Item</b>	<b>Date Begin</b>	<b>Date End</b>	<b>Part Number</b>	<b>Part Name</b>	<b>Qty. per Model/Kit</b>
RB	F0010	13-23		11090017	End cap, side ports	1
	F0020	13-23		11093066	Servo piston	1
	F0030	13-23		11090825	Spring guide	1
	F0040	13-23		11094299	Spring	1
	F0050	13-23		11093068	Setting lug	1
	F0060	13-23		11008915	Setting lug pin	1
	F0070	13-23		042465	Set screw, M10 x 10	1
	F0090	13-23		11014186	Button head screw	1
	F0100	13-23		140644	Plug assembly	2
	F0120	13-23		703900	Screw, M16 x 70	8
	F0150	13-23		664524 (9005110-9000)	Plug assembly	2
	QF080	13-23		11086155	Valve segment assembly	1



Variable displacement motor



E101 986E

\* = included in overhaul seal kit Q210

Enlarged **bold** type item numbers are recommended part to stock for servicing.



**Variable displacement motor**

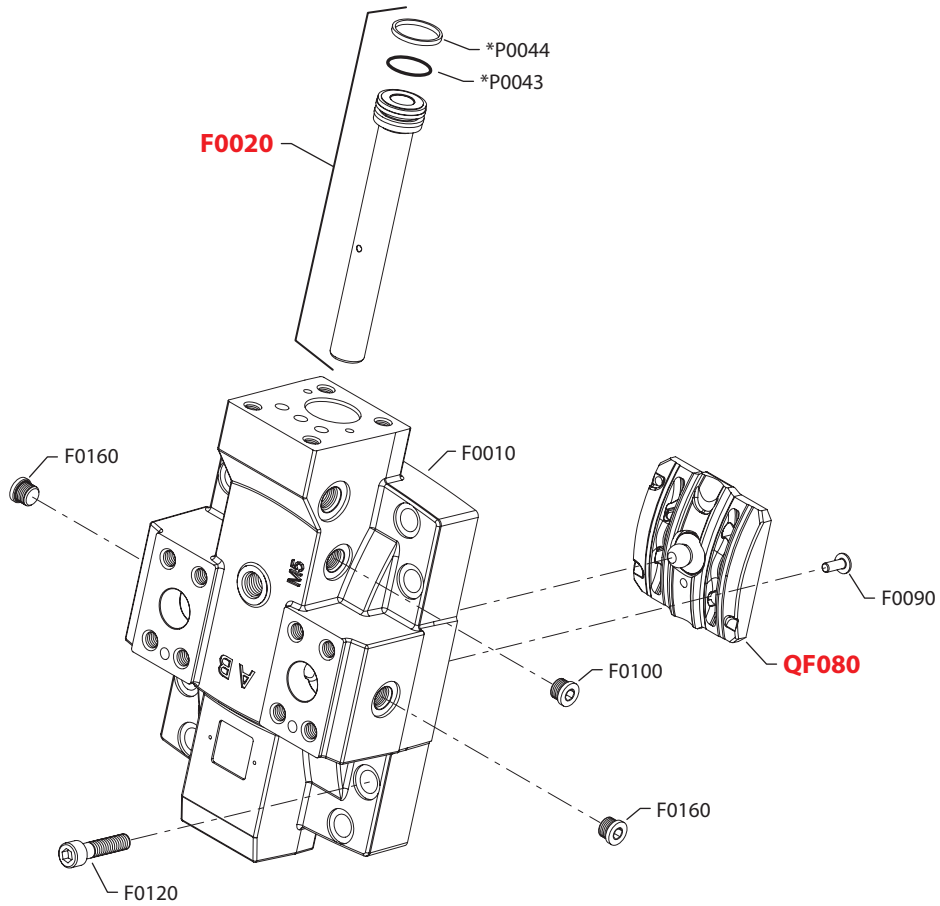
**End cap**

Order Code	Item	Date Begin	Date End	Part Number	Part Name	Qty. per Model/Kit
RE	F0010	13-23		11106050	End cap, axial ports	1
	F0020	13-23		11093066	Servo piston	1
	F0030	13-23		11090825	Spring guide	1
	F0040	13-23		11094299	Spring	1
	F0050	13-23		11093068	Setting lug	1
	F0060	13-23		11008915	Setting lug pin	1
	F0070	13-23		042465	Set screw, M10 x 10	1
	F0090	13-23		11014186	Button head screw	1
	F0100	13-23		140644	Plug assembly	2
	F0120	13-23		703900	Screw, M16 x 70	8
	F0160	13-23		140644	Plug assembly	2
	QF080	13-23		11086155	Valve segment assembly	1



End cap

(TA)



E103 004E

\* = included in overhaul seal kit Q210

Enlarged **bold** type item numbers are recommended part to stock for servicing.

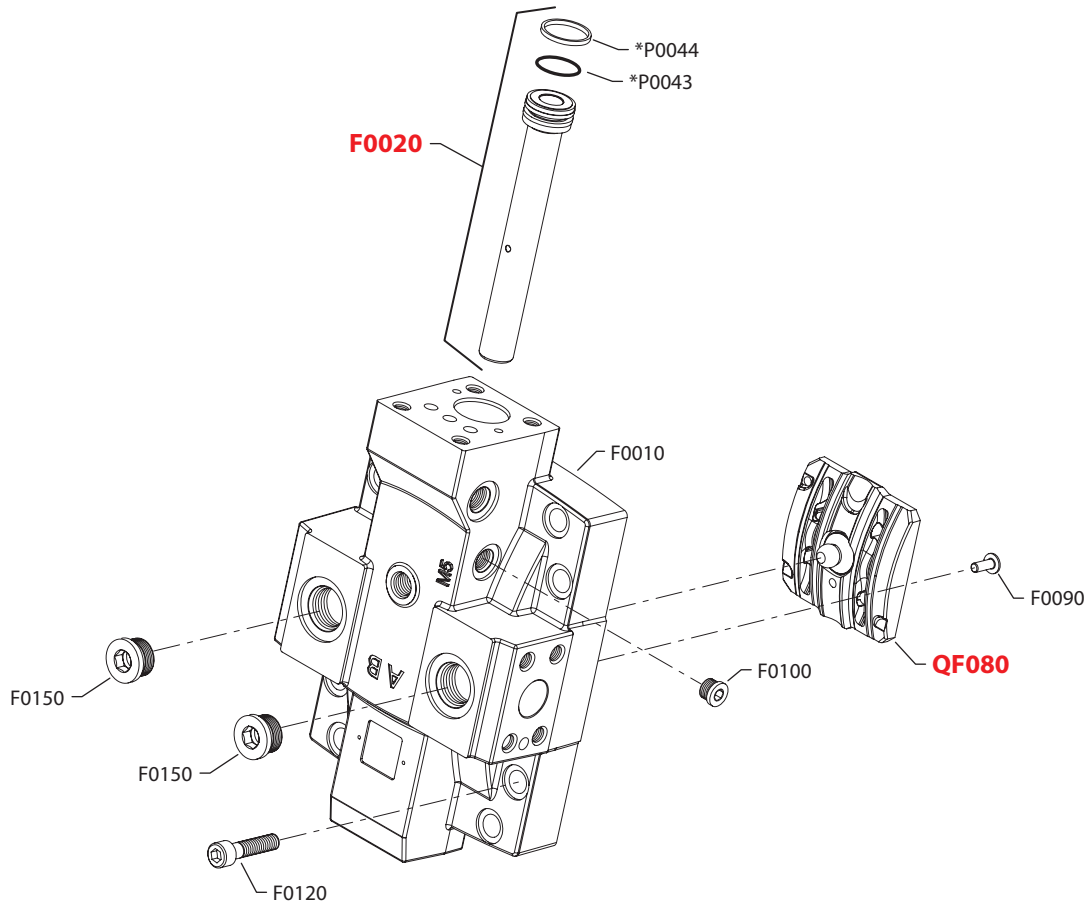



**End cap**
**End cap**

Order Code	Item	Date Begin	Date End	Part Number	Part Name	Qty. per Model/Kit
TA	F0010	13-23		11115846	End cap, axial ports	1
	F0020	13-23		11140319	Servo piston assembly	1
	F0090	13-23		11014186	Button head screw	1
	F0100	13-23		140644	Plug assembly	1
	F0120	13-23		703900	Screw, M16 x 70	8
	F0160	13-23		140644	Plug assembly	2
	P0043	13-23		11063016	O-ring	1
	P0044	13-23		11063013	Piston ring	1
	QF080	13-23		11116072	Valve segment assembly	1
	TA, metric	F0010	13-23		11175038	End cap, axial ports, metric
F0020		13-23		11140319	Servo piston assembly	1
F0090		13-23		11014186	Button head screw	1
F0100		13-23		5000438	Plug assembly, M14	1
F0120		13-23		703900	Screw, M16 x 70	8
F0160		13-23		5000438	Plug assembly, M14	2
P0043		13-23		11063016	O-ring	1
P0044		13-23		11063013	Piston ring	1
QF080		13-23		11116072	Valve segment assembly	1



(TB)



\* = included in overhaul seal kit Q210

E103 005E

Enlarged **bold** type item numbers are recommended part to stock for servicing.

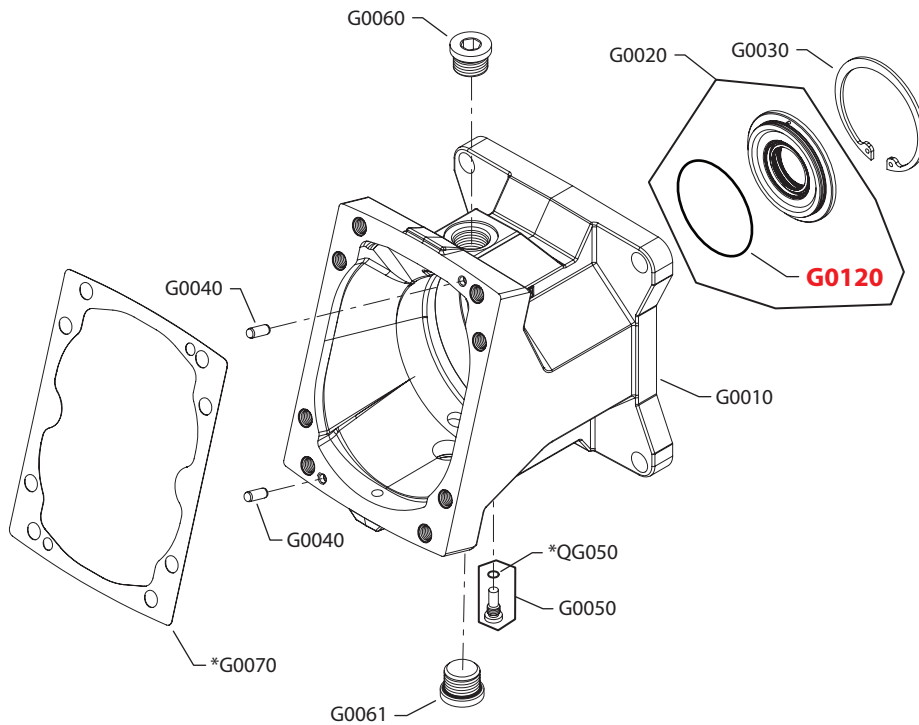

**End cap**

<b>Order Code</b>	<b>Item</b>	<b>Date Begin</b>	<b>Date End</b>	<b>Part Number</b>	<b>Part Name</b>	<b>Qty. per Model/Kit</b>
TB	F0010	13-23		11115847	End cap, side ports	1
	F0020	13-23		11140319	Servo piston assembly	1
	F0090	13-23		11014186	Button head screw	1
	F0100	13-23		140644	Plug assembly	1
	F0120	13-23		703900	Screw, M16 x 70	8
	F0150	13-23		664524 (9005110-9000)	Plug assembly	2
	P0043	13-23		11063016	O-ring	1
	P0044	13-23		11063013	Piston ring	1
	QF080	13-23		11116072	Valve segment assembly	1

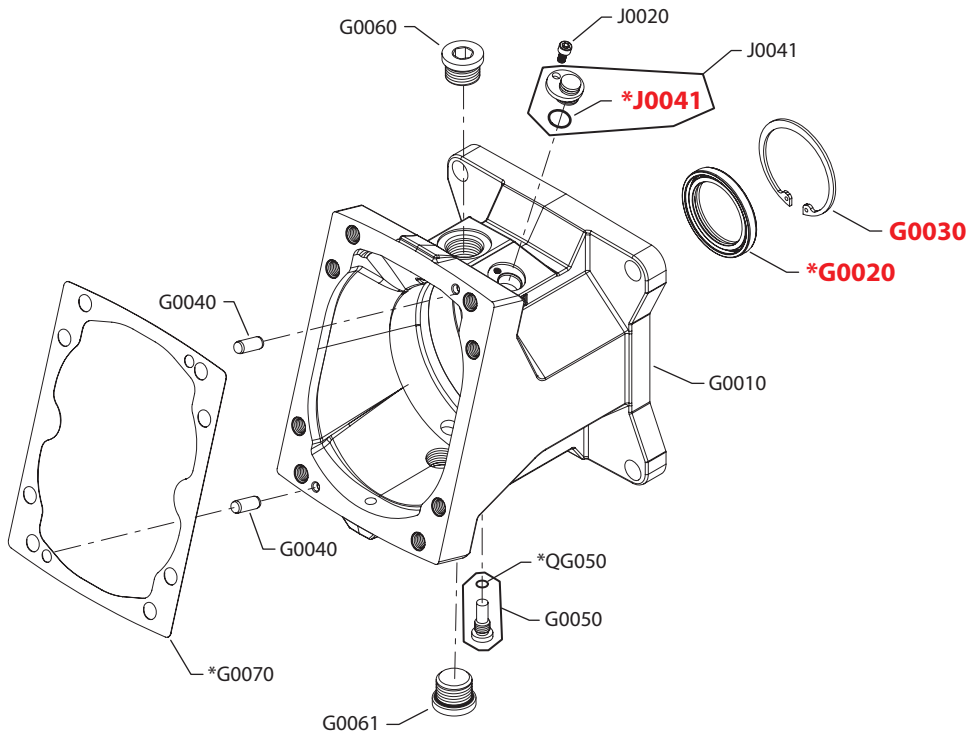


Flange/housing

(VC)



(VN)



\* = included in overhaul seal kit Q210

E101 987E

Enlarged **bold** type item numbers are recommended part to stock for servicing.

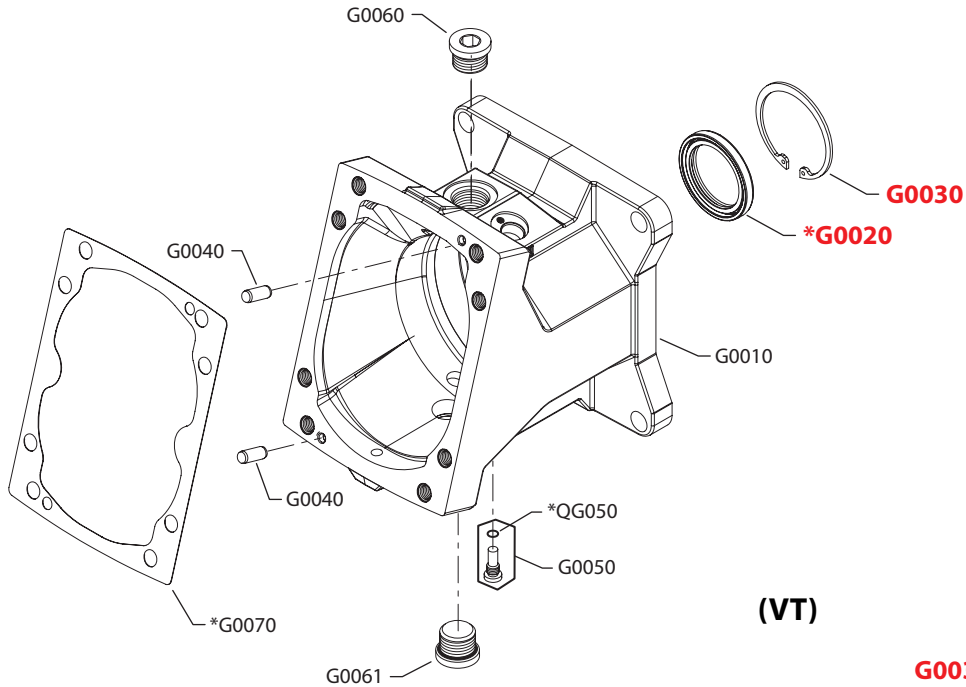

**Flange/housing**
**Flange/housing**

Order Code	Item	Date Begin	Date End	Part Number	Part Name	Qty. per Model/Kit
VC	G0010	13-23		11095943	Housing, SAE with speed sensor port	1
	G0030	13-23		11070170	Retaining ring	1
	G0040	13-23		11007677	Pin	2
	G0050	13-23		11063948	Shaft locating plug assembly	1
	G0060	13-23		320002 (9005110-9200)	Plug assembly	1
	G0061	13-23		320002 (9005110-9200)	Plug assembly	1
	G0070	13-23		11090824	Gasket	1
	G0120	13-23		11070158	O-ring	1
	G2000	13-23		11095938	Shaft seal carrier assembly	1
	QG050	13-23		001123 (9004201-2500)	O-ring	1
VN	G0010	13-23		11089959	Housing, SAE flange with speed sensor port	1
	G0020	13-23		519022	Lip seal	1
	G0030	13-23		392423	Retaining ring	1
	G0040	13-23		11007677	Pin	2
	G0050	13-23		11063948	Shaft locating plug assembly	1
	G0060	13-23		320002 (9005110-9200)	Plug assembly	1
	G0061	13-23		320002 (9005110-9200)	Plug assembly	1
	G0070	13-23		11090824	Gasket	1
	J0010	13-23		11013290	PPU plug assembly	1
	J0020	13-23		395822 (9007315-0603)	Screw, M6 x 12	1
	J0041	13-23		018499 (9004100-0160)	O-ring	1
	QG050	13-23		001123 (9004201-2500)	O-ring	1
	VN, metric	G0010	16-07		11172637	Housing, SAE flange with speed sensor port, metric
G0020		16-07		519022	Lip seal	1
G0030		16-07		392423	Retaining ring	1
G0040		16-07		11007677	Pin	2
G0050		16-07		11063948	Shaft locating plug assembly	1
G0060		16-07		11164204	Plug assembly, M33	1
G0061		16-07		11164204	Plug assembly, M33	1
G0070		16-07		11090824	Gasket	1
J0010		16-07		11013290	PPU plug assembly	1
J0020		16-07		395822 (9007315-0603)	Screw, M6 x 12	1
J0041		16-07		018499 (9004100-0160)	O-ring	1
QG050		16-07		001123 (9004201-2500)	O-ring	1

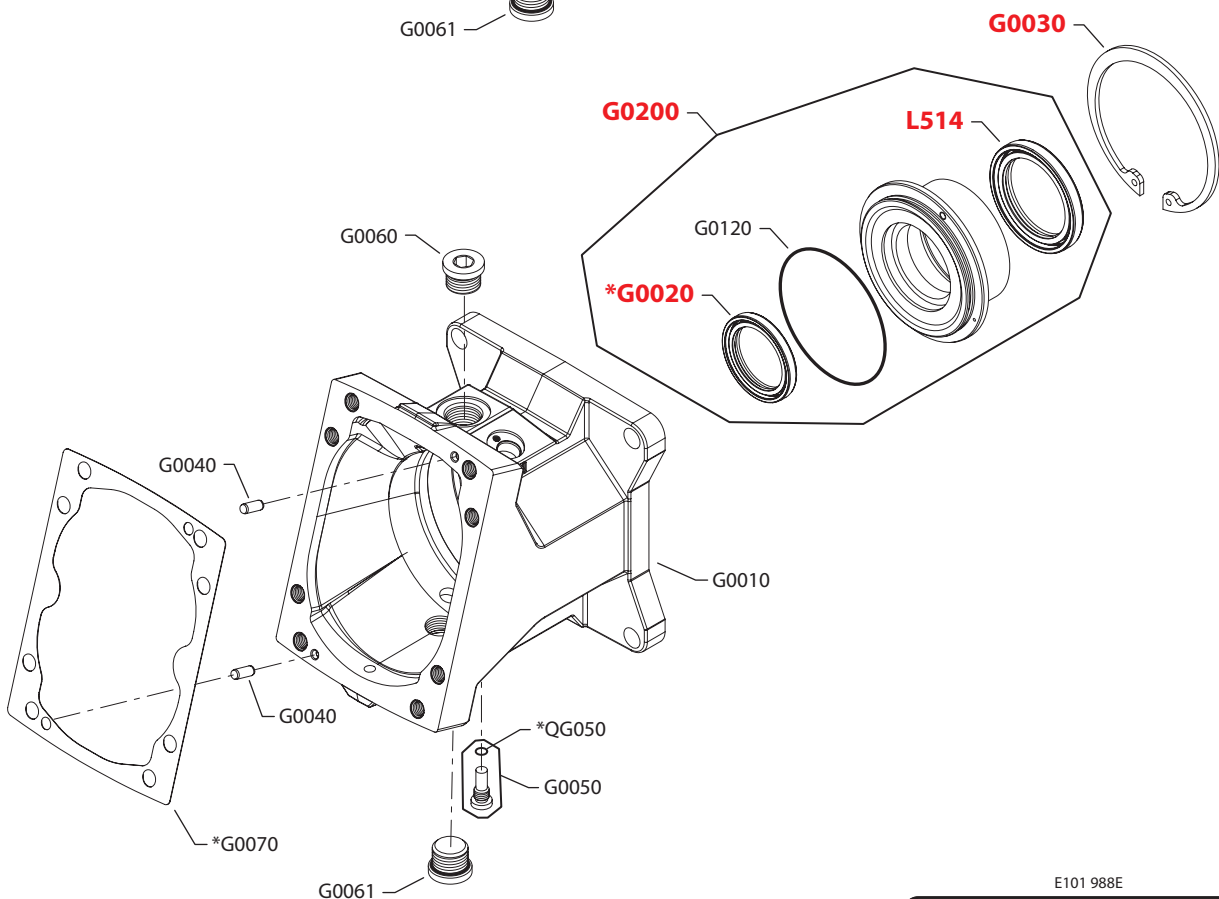


Flange/housing

(VS)



(VT)



\* = included in overhaul seal kit Q210

E101 988E

Enlarged **bold** type item numbers are recommended part to stock for servicing.


**Flange/housing**
**Flange/housing**

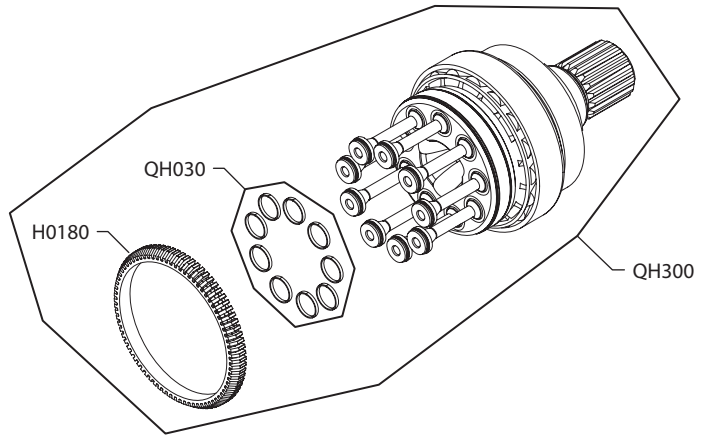
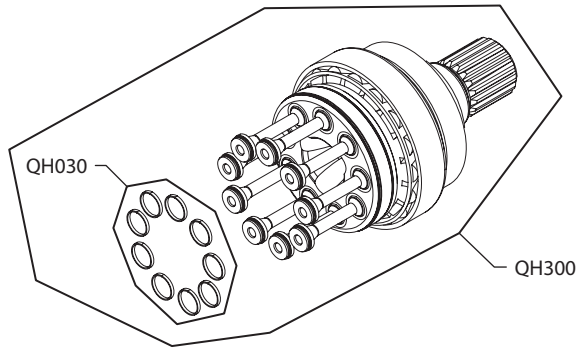
Order Code	Item	Date Begin	Date End	Part Number	Part Name	Qty. per Model/Kit
VS	G0010	13-23		11089959	Housing, SAE flange with speed sensor port	1
	G0020	13-23		519022	Lip seal	1
	G0030	13-23		392423	Retaining ring	1
	G0040	13-23		11007677	Pin	2
	G0050	13-23		11063948	Shaft locating plug assembly	1
	G0060	13-23		320002 (9005110-9200)	Plug assembly	1
	G0061	13-23		320002 (9005110-9200)	Plug assembly	1
	G0070	13-23		11090824	Gasket	1
	QG050	13-23		001123 (9004201-2500)	O-ring	1
	VS, metric	G0010	15-45		11172637	Housing, SAE flange with speed sensor port
G0020		15-45		519022	Lip seal	1
G0030		15-45		392423	Retaining ring	1
G0040		15-45		11007677	Pin	2
G0050		15-45		11063948	Shaft locating plug assembly	1
G0060		15-45		11164204	Plug assembly, M33	1
G0061		15-45		11164204	Plug assembly, M33	1
G0070		15-45		11090824	Gasket	1
QG050		15-45		001123 (9004201-2500)	O-ring	1
VT		G0010	14-27		11095943	Housing, SAE flange with speed sensor port
	G0020	14-27		519022	Lip seal	1
	G0030	14-27		11070170	Retaining ring	1
	G0040	14-27		11007677	Pin	2
	G0050	14-27		11063948	Shaft locating plug assembly	1
	G0060	14-27		320002 (9005110-9200)	Plug assembly	1
	G0061	14-27		320002 (9005110-9200)	Plug assembly	1
	G0070	14-27		11090824	Gasket	1
	G0120	14-27		11070158	O-ring	1
	G0200	14-27		11152435	Seal carrier assembly	1
	L514	14-27		521664	Lip seal	1
	QG050	14-27		001123 (9004201-2500)	O-ring	1



Shaft and speed sensing

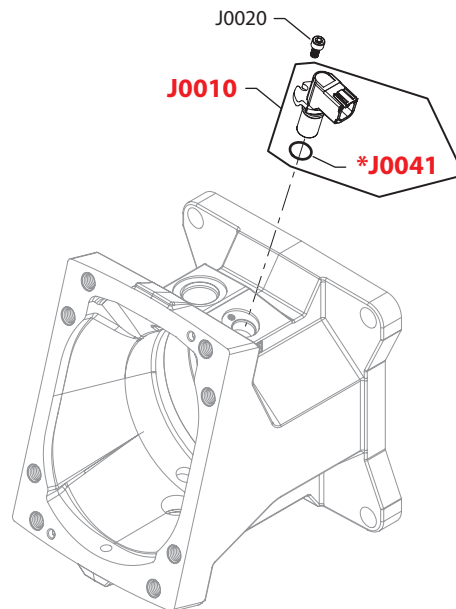
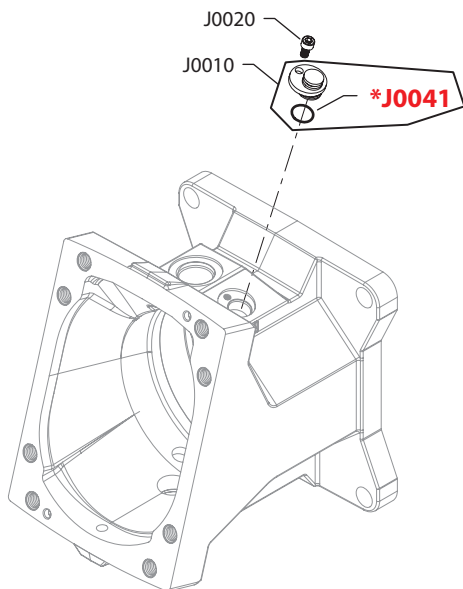
(DN & FN)

(DS, FS & PS)



(P)

(B, C & S)



E101 989E

\* = included in overhaul seal kit Q210

Enlarged **bold** type item numbers are recommended part to stock for servicing.




**Shaft and speed sensing**
**Shaft**

Order Code	Item	Date Begin	Date End	Part Number	Part Name	Qty. per Model/Kit
DN	QH030	13-23		11100639	Piston ring kit	1
	QH300	13-23		11094973	Shaft assembly, 27 tooth, 16/32 pitch	1
DS	H180	13-23		11086231	Speed ring	1
	QH030	13-23		11100639	Piston ring kit	1
	QH300	13-23		11094970	Shaft assembly, 27 tooth, 16/32 pitch, speed ring	1
FN	QH030	13-23		11100639	Piston ring kit	1
	QH300	13-23		11086222	Shaft assembly, 15 tooth	1
FS	H180	13-23		11086231	Speed ring	1
	QH030	13-23		11100639	Piston ring kit	1
	QH300	13-23		11086198	Shaft assembly, 15 tooth, speed ring	1
PS	H180	13-23		11086231	Speed ring	1
	QH030	13-23		11100639	Piston ring kit	1
	QH300	13-23		11096985	Shaft assembly, 27 tooth, 16/32 pitch, speed ring	1

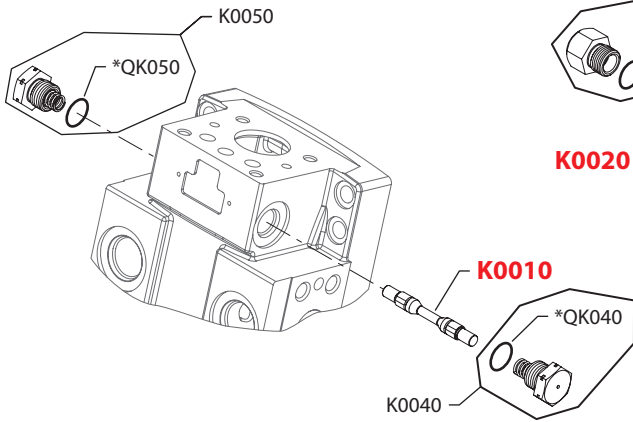
**Speed sensing**

B	J0010	12-15		11102032	Speed sensor assembly	1
	J0020	12-15		395822 (9007315-0603)	Screw, M6 x 12	1
	J0041	12-15		018499 (9004100-0160)	O-ring	1
C	J0010	14-41		11157520	Speed sensor assembly	1
	J0020	14-41		395822 (9007315-0603)	Screw, M6 x 12	1
	J0041	14-41		018499 (9004100-0160)	O-ring	1
N				None		
P	J0010	13-23		11013290	Plug assembly	1
	J0020	13-23		395822 (9007315-0603)	Screw, M6 x 12	1
	J0041	13-23		018499 (9004100-0160)	O-ring	1
S	J0010	13-23		149055	Speed sensor	1
	J0020	13-23		395822 (9007315-0603)	Screw, M6 x 12	1
	J0041	13-23		018499 (9004100-0160)	O-ring	1

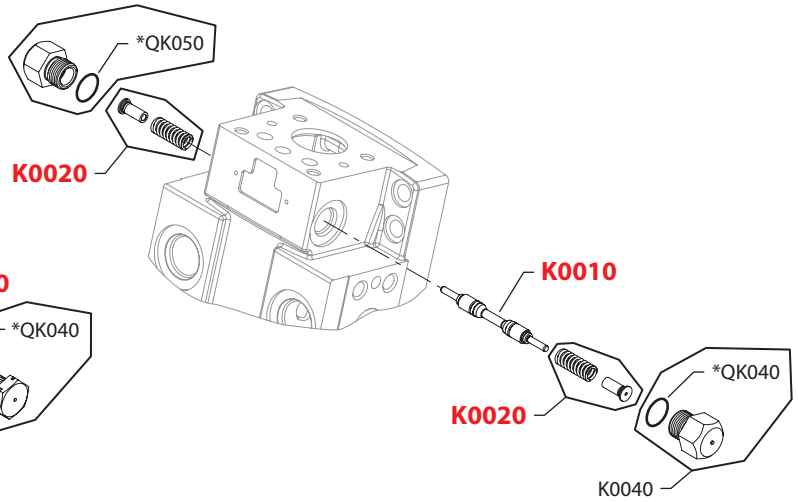


Loop flushing

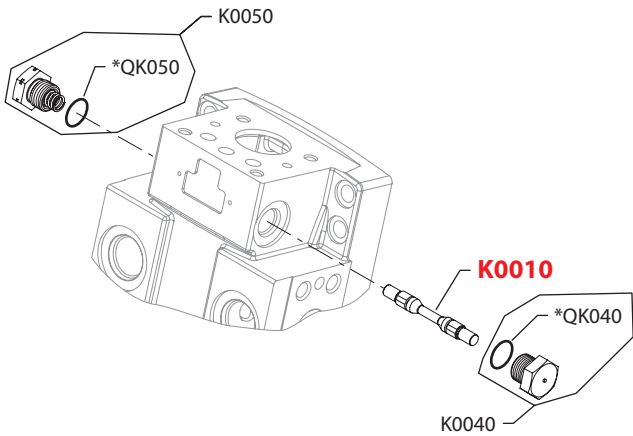
(A & N)



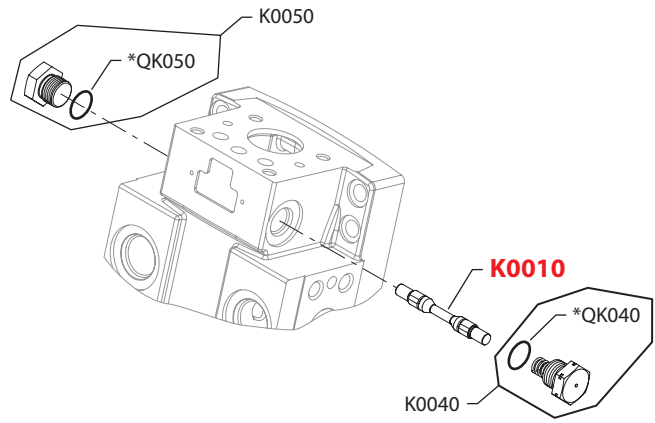
(B)



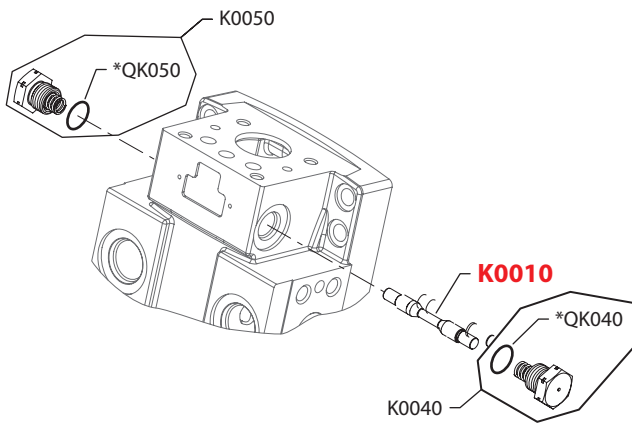
(C)



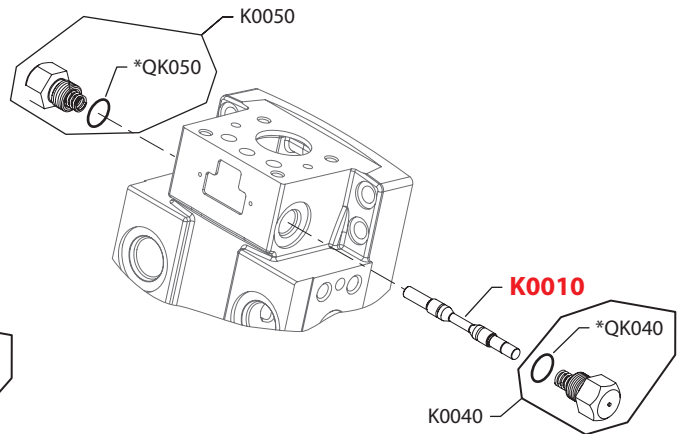
(D)



(E)



(F)



E103 351E

\* = included in base motor seal kit Q210

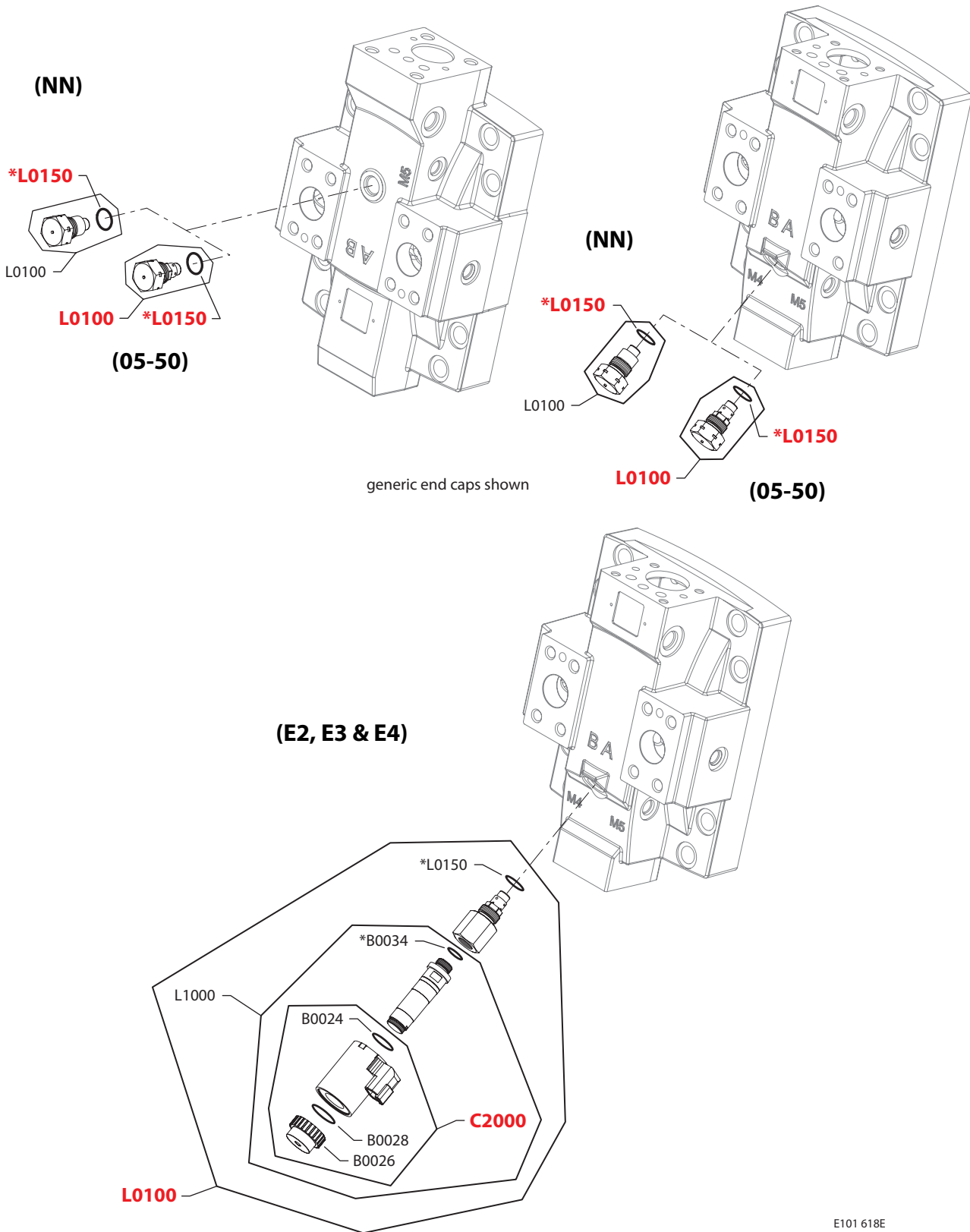
Enlarged **bold** type item numbers are recommended part to stock for servicing.


**Loop flushing**
**Loop flushing shuttle system**

Order Code	Item	Date Begin	Date End	Part Number	Part Name	Qty. per Model/Kit
A	K0010	11-18		11031106	Spool	1
	K0040	11-18		11160780	Plug/spring assembly	1
	K0050	11-18		11160780	Plug/spring assembly	1
	QK040	11-18		149052	O-ring	1
	QK050	11-18		149052	O-ring	1
B	K0010	15-45		11101037	Spool	1
	K0020	15-45		11101439	Spring/plug assembly	2
	K0040	15-45		11101035	Plug assembly	1
	K0050	15-45		11101035	Plug assembly	1
	QK040	15-45		149052	O-ring	1
	QK050	15-45		149052	O-ring	1
C	K0010	12-15		11031106	Spool	1
	K0040	12-15		11115123	Plug assembly	1
	K0050	12-15		11160780	Plug/spring assembly	1
	QK040	12-15		149052	O-ring	1
	QK050	12-15		149052	O-ring	1
D	K0010	12-15		11031106	Spool	1
	K0040	12-15		11160780	Plug/spring assembly	1
	K0050	12-15		11115123	Plug assembly	1
	QK040	12-15		149052	O-ring	1
	QK050	12-15		149052	O-ring	1
E	K0010	14-41		11157411	Spool	1
	K0040	14-41		11160780	Plug/spring assembly	1
	K0050	14-41		11160780	Plug/spring assembly	1
	QK040	14-41		149052	O-ring	1
	QK050	14-41		149052	O-ring	1
F	K0010	14-41		11157409	Spool	1
	K0040	14-41		11158323	Plug/spring assembly	1
	K0050	14-41		11158323	Plug/spring assembly	1
	QK040	14-41		149052	O-ring	1
	QK050	14-41		149052	O-ring	1
N	K0010	11-18		11031106	Spool	1
	K0040	11-18		11160780	Plug/spring assembly	1
	K0050	11-18		11160780	Plug/spring assembly	1
	QK040	11-18		149052	O-ring	1
	QK050	11-18		149052	O-ring	1



Loop flushing



\* = included in overhaul seal kit Q210

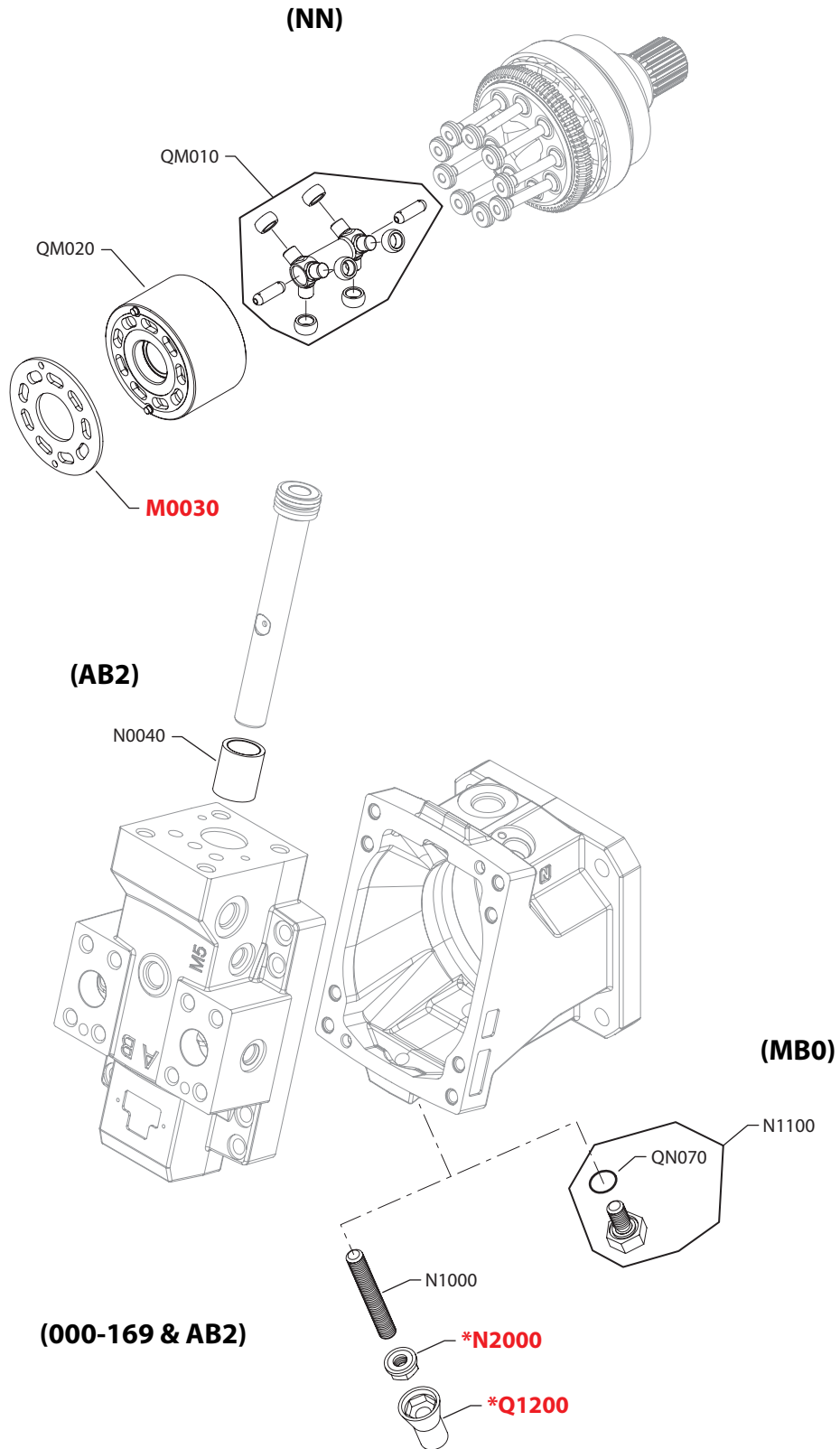
E101 618E  
 Enlarged **bold** type item numbers are recommended part to stock for servicing.


**Loop flushing**
**Loop flushing relief valve**

Order Code	Item	Date Begin	Date End	Part Number	Part Name	Qty. per Model/Kit
05	L0100	11-18		11008698	Loop flushing relief valve, 5L/min	1
	L0150	11-18		149052	O-ring	1
10	L0100	11-18		11003448	Loop flushing relief valve, 10L/min	1
	L0150	11-18		149052	O-ring	1
15	L0100	11-18		11003450	Loop flushing relief valve, 15L/min	1
	L0150	11-18		149052	O-ring	1
20	L0100	11-18		11001676	Loop flushing relief valve, 20L/min	1
	L0150	11-18		149052	O-ring	1
30	L0100	13-23		11008700	Loop flushing relief valve, 30L/min	1
	L0150	13-23		149052	O-ring	1
40	L0100	13-23		11008701	Loop flushing relief valve, 40L/min	1
	L0150	13-23		149052	O-ring	1
50	L0100	13-23		11001697	Loop flushing relief valve, 50L/min	1
	L0150	13-23		149052	O-ring	1
E2	B0024	13-23		11031608	O-ring	1
	B0026	13-23		11027046	Coil nut	1
	B0028	13-23		063172	O-ring	1
	B0034	13-23		085043 (9004201-3700)	O-ring	1
	L0010	13-23		11013615	Solenoid valve, 12v	1
	L0150	13-23		149052	O-ring	1
	L1000	13-23		11096735	Loop flushing relief valve, 12v, 10L/min	1
	C2000	13-23		11031763	Coil kit, 12v	1
E3	B0024	13-23		11031608	O-ring	1
	B0026	13-23		11027046	Coil nut	1
	B0028	13-23		063172	O-ring	1
	B0034	13-23		085043 (9004201-3700)	O-ring	1
	L0010	13-23		11013615	Solenoid valve, 12v	1
	L0150	13-23		149052	O-ring	1
	L1000	13-23		11096736	Loop flushing relief valve, 12v, 15L/min	1
	C2000	13-23		11031763	Coil kit, 12v	1
E4	B0024	16-06		11031608	O-ring	1
	B0026	16-06		11027046	Coil nut	1
	B0028	16-06		063172	O-ring	1
	B0034	16-06		085043 (9004201-3700)	O-ring	1
	L0010	16-06		11013615	Solenoid valve, 12v	1
	L0150	16-06		149052	O-ring	1
	L1000	16-06		11175555	Loop flushing relief valve, 12v, 20L/min	1
	C2000	16-06		11031763	Coil kit, 12v	1
NN	L0100	11-18		11027278	Plug assembly	1
	L0150	11-18		149052	O-ring	1



Special hardware and minimum displacement



\* = included in overhaul seal kit Q210

E101 737E  
 Enlarged **bold** type item numbers are recommended part to stock for servicing.


**Special hardware and minimum displacement**
**Special hardware/common parts**

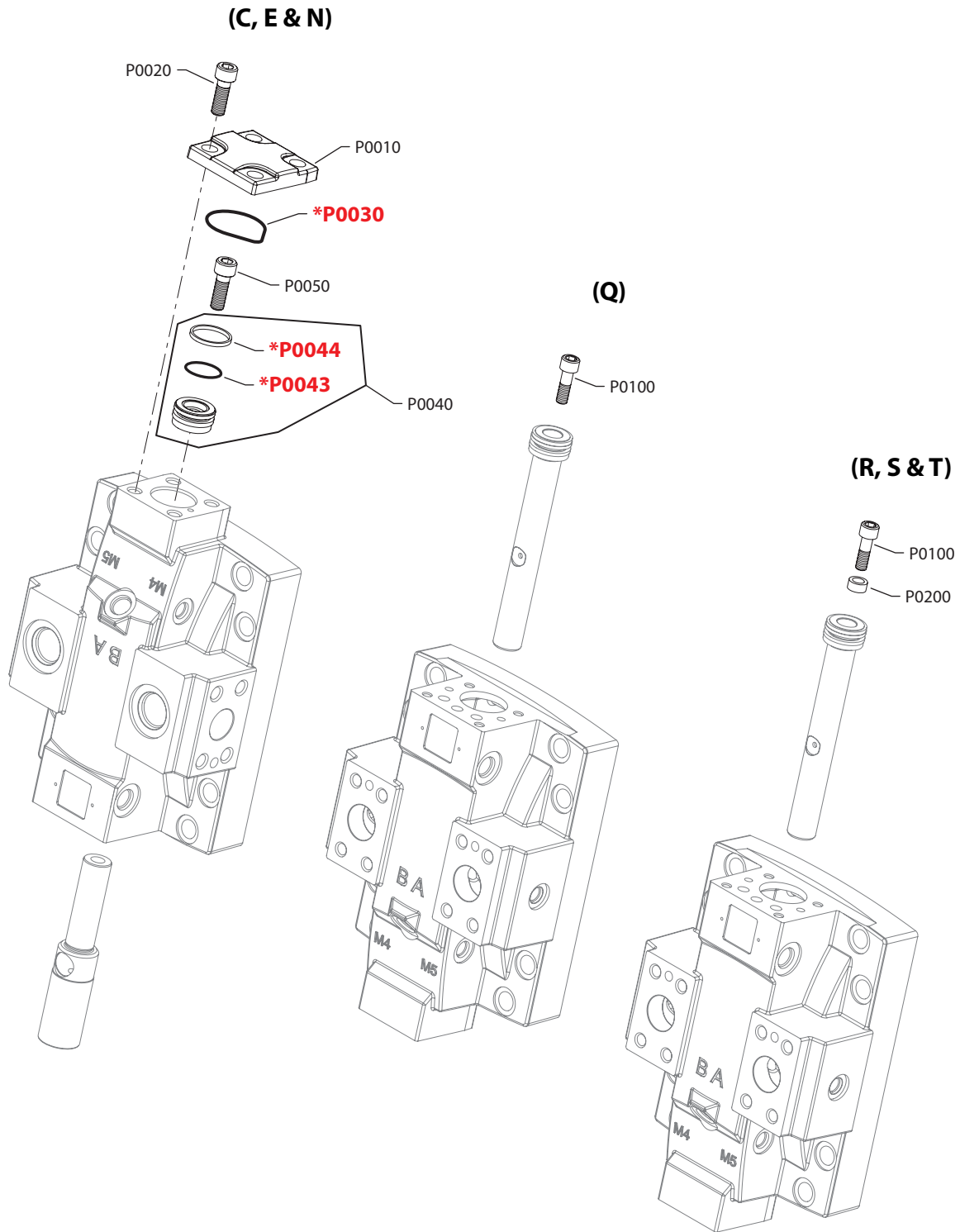
Order Code	Item	Date Begin	Date End	Part Number	Part Name	Qty. per Model/Kit
NN	QM010	13-23		11086121	Synch shaft assembly	1
	QM020	13-23		11086152	Cylinder block assembly	1
	M0030	13-23		515370	Bearing plate	1

**Minimum displacement**

000-052	N1000	13-23		750646	Set screw, 0-52cc, M12 x 75	1
	N2000	13-23		076042	Seal nut, M12	1
	Q1200	13-23		770842	Plastic cap, green	1
053-103	N1000	13-23		749564	Set screw, 53-103cc, M12 x 90	1
	N2000	13-23		076042	Seal nut, M12	1
	Q1200	13-23		770842	Plastic cap, green	1
104-169	N1000	13-23		11094518	Set screw, 104-169cc, M12 x 110	1
	N2000	13-23		076042	Seal nut, M12	1
	Q1200	13-23		770842	Plastic cap, green	1
AB2	N1000	13-23		11106517	Set screw, 200cc, M12 x 40	1
	N2000	13-23		076042	Seal nut, M12	1
	N0040	13-23		11157830	Spacer, 69.16mm	1
	Q1200	13-23		770842	Plastic cap, green	1
MB0	N1100	13-23		11161812	Seal plug assembly	1
	QN070	13-23		11001952	O-ring	1



Maximum displacement



\* = included in overhaul seal kit Q210

E103 006E

Enlarged **bold** type item numbers are recommended part to stock for servicing.




**Maximum displacement**
**Maximum displacement**

Order Code	Item	Date Begin	Date End	Part Number	Part Name	Qty. per Model/Kit
C	P0010	13-23		11001110	Servo piston cover	1
	P0020	13-23		737866 (9007314-1207)	Screw, M12 x 30	4
	P0030	13-23		11050757	O-ring	1
	P0040	13-23		11132145	Servo piston assembly	1
	P0043	13-23		11063016	O-ring	1
	P0044	13-23		11063013	Piston ring	1
	P0050	13-23		11069403	Screw, M14 x 35	1
E	P0010	13-23		11001110	Servo piston cover	1
	P0020	13-23		737866 (9007314-1207)	Screw, M12 x 30	4
	P0030	13-23		11050757	O-ring	1
	P0040	13-23		11125475	Servo piston assembly	1
	P0043	13-23		11063016	O-ring	1
	P0044	13-23		11063013	Piston ring	1
	P0050	13-23		11069403	Screw, M14 x 35	1
N	P0010	13-23		11001110	Servo piston cover	1
	P0020	13-23		737866 (9007314-1207)	Screw, M12 x 30	4
	P0030	13-23		11050757	O-ring	1
	P0040	13-23		11062354	Servo piston assembly	1
	P0043	13-23		11063016	O-ring	1
	P0044	13-23		11063013	Piston ring	1
	P0050	13-23		11069403	Screw, M14 x 35	1
Q	P0100	14-27		293225	Screw, M10 x 30	1
R	P0100	14-27		293225	Screw, M10 x 30	1
	P0200	14-27		672071	Spacer, 4.50mm	1
S	P0100	13-23		293225	Screw, M10 x 30	1
	P0200	13-23		318683	Spacer, 9.00mm	1
T	P0100	14-27		727586	Screw, M10 x 35	1
	P0200	14-27		643098	Spacer, 14.00mm	1
Z				no parts		


**Seal kit**
**Overhaul seal kit**

Order Code	Item	Date Begin	Date End	Part Number	Part Name	Qty. per Model/Kit
	Q210	13-23		11172555	Overhaul seal kit, H1B250	1
	B0034	13-23		085043 (9004201-3700)	O-ring, 11.89 x 1.98, nitrile	2
	B0035	13-23		11001952	O-ring, 18.00 x 1.50, nitrile	1
	C0130	13-23		149040	Control seal	1
	C0130	13-23		11016168	Control seal, 2-position	1
	G0020	13-23		519022	Lip seal	1
	G0070	13-23		11090824	End cap gasket, H1B250	1
	J0041	13-23		018499 (9004100-0160)	O-ring, 15.60 x 1.78, nitrile	1
	L0150	13-23		149052	O-ring, 15.30 x 2.20, nitrile	1
	M223	13-23		085043 (9004201-3700)	O-ring, 11.89 x 1.98, nitrile	1
	M224	13-23		732479 (9004105-0100)	O-ring, 6.07 x 1.78, viton	1
	N2000	13-23		076042	Seal nut, M12	1
	P0030	13-23		11050757	O-ring, 47.00 x 3.00, nitrile	1
	P0043	13-23		11063016	O-ring, 26.64 x 2.62, nitrile	1
	P0044	13-23		11063013	Piston ring	1
	Q1200	13-23		770842	Plastic cap, green	1
	QC160	13-23		039297 (9004201-1200)	O-ring, 6.07 x 1.63, nitrile	1
	QG050	13-23		001123 (9004201-2500)	O-ring, 8.92 x 1.83, nitrile	1
	QG055	13-23		039297 (9004201-1200)	O-ring, 6.07 x 1.63, nitrile	1
	QK0040	13-23		149052	O-ring, 15.30 x 2.20, nitrile	2
	QK0050	13-23		149052	O-ring, 15.30 x 2.20, nitrile	2



**Notes**



**Products we offer:**

- Bent Axis Motors
- Closed Circuit Axial Piston Pumps and Motors
- Displays
- Electrohydraulic Power Steering
- Electrohydraulics
- Hydraulic Power Steering
- Integrated Systems
- Joysticks and Control Handles
- Microcontrollers and Software
- Open Circuit Axial Piston Pumps
- Orbital Motors
- PLUS+1® GUIDE
- Proportional Valves
- Sensors
- Steering
- Transit Mixer Drives

**Danfoss Power Solutions** is a global manufacturer and supplier of high-quality hydraulic and electronic components. We specialize in providing state-of-the-art technology and solutions that excel in the harsh operating conditions of the mobile off-highway market. Building on our extensive applications expertise, we work closely with our customers to ensure exceptional performance for a broad range of off-highway vehicles.

We help OEMs around the world speed up system development, reduce costs and bring vehicles to market faster.

Danfoss – Your Strongest Partner in Mobile Hydraulics.

**Go to [www.powersolutions.danfoss.com](http://www.powersolutions.danfoss.com) for further product information.**

Wherever off-highway vehicles are at work, so is Danfoss.

We offer expert worldwide support for our customers, ensuring the best possible solutions for outstanding performance. And with an extensive network of Global Service Partners, we also provide comprehensive global service for all of our components.

Please contact the Danfoss Power Solution representative nearest you.

**Comatrol**

[www.comatrol.com](http://www.comatrol.com)

**Schwarzmueller-Inverter**

[www.schwarzmueller-inverter.com](http://www.schwarzmueller-inverter.com)

**Turolla**

[www.turollaocg.com](http://www.turollaocg.com)

**Valmova**

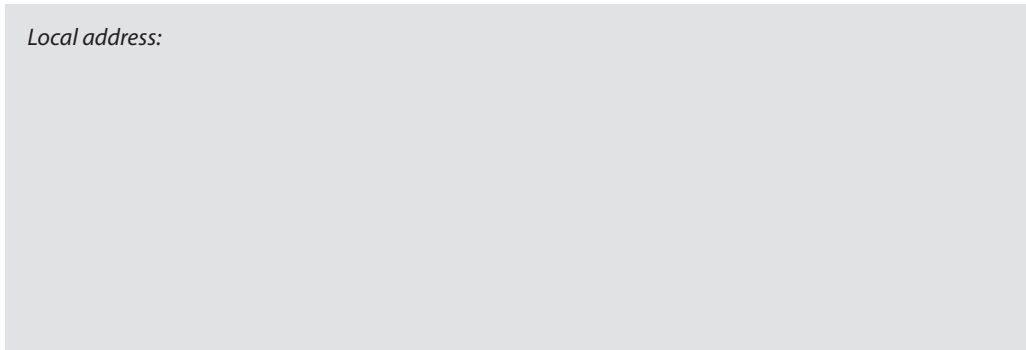
[www.valmova.com](http://www.valmova.com)

**Hydro-Gear**

[www.hydro-gear.com](http://www.hydro-gear.com)

**Daikin-Sauer-Danfoss**

[www.daikin-sauer-danfoss.com](http://www.daikin-sauer-danfoss.com)



*Local address:*

**Danfoss Power Solutions US Company**  
2800 East 13th Street  
Ames, IA 50010, USA  
Phone: +1 515 239 6000

**Danfoss Power Solutions GmbH & Co. OHG**  
Krokamp 35  
D-24539 Neumünster, Germany  
Phone: +49 4321 871 0

**Danfoss Power Solutions ApS**  
Nordborgvej 81  
DK-6430 Nordborg, Denmark  
Phone: +45 7488 4444

**Danfoss Power Solutions**  
Building #22, No. 1000 Jin Hai Rd  
Jin Qiao, Pudong New District  
Shanghai, China 201206  
Phone: +86 21 3418 5200

Danfoss can accept no responsibility for possible errors in catalogues, brochures and other printed material. Danfoss reserves the right to alter its products without notice. This also applies to products already on order provided that such alterations can be made without subsequential changes being necessary in specifications already agreed. All trademarks in this material are property of the respective companies. Danfoss and the Danfoss logotype are trademarks of Danfoss A/S. All rights reserved.