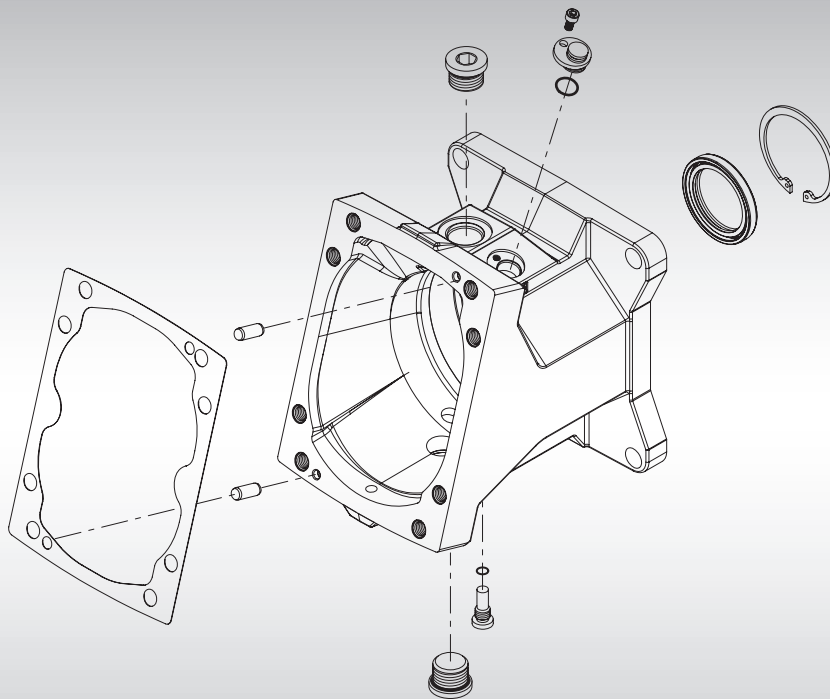




Parts Manual

H1B 210 cc Bent Axis Motor







Contents

General information	Service parts identification	4
	Nameplate	4
	Date code	5
	Service bulletins.....	5
	Procedure to identify a part.....	5
	Order code	7
Control	Control.....	14-15
Servo pressure supply	Servo pressure supply	16-41
Orifice	Orifice	42-43
End cap	End cap.....	44-55
Flange housing	DIN flange	56-57
	SAE flange	58-59
Shaft	Shaft	60-61
Speed sensor	Speed sensor.....	60-61
Loop flushing	Shuttle system	62-63
	Relief valve	64-65
Special hardware	Special hardware/common parts.....	66-67
Minimum displacement	Minimum displacement.....	66-67
Maximum displacement	Maximum displacement	68-69
Seal kit	Overhaul seal kit.....	69



General information

Service parts identification

The following information and procedure is used to identify the module group, item number, manufacture date, part number, and part name of the parts included in the H1B 210 cc variable displacement motors.

The parts listed include all parts which may be used when performing either "Minor Repairs", "Major Repairs" or "Conversions" on the H1B 210 cc motor.

Nameplate

Each unit will have a nameplate affixed to the end cap. The nameplate will include the following information.

Model Code

The Danfoss model code completely defines the specific unit and must be used when ordering parts to service this product.

Model Number

The Danfoss model number is used by the factory in manufacturing. On repeat orders, a complete unit can be ordered by the model number.

Serial Number

The Danfoss serial number is used to identify the manufacture date and the unit sequence in the build. The serial number is also used to identify the units warranty time period.

The letter code indicates the location of original manufacture (assembly). "N" indicates the unit was originally assembled in Neumuenster, Germany. "H" indicates the unit was originally assembled in Haiyan, China.

The first number (2 digits) indicates the year of manufacture. ("15" would indicate the unit was manufactured in 2015)

The second number (2 digits) indicates the calendar week of manufacture.

The third number (5 digits) is a sequential number used to identify a specific unit.





General information

Date code

The date code is defined as the year and week of manufacture. The same item number may list more than one part number. This indicates that there is more than one configuration for that item number. You will see that there are different date codes for the different part numbers. Find the date code of your unit from the nameplate to determine which service part number you need to order.

EXAMPLE: The service part desired is Item G30

Order Code	Item	Date Begin	Date End	Part Number	Part Name	Usage
80	G30	89-17		8000243	End cap gasket	1
	G30	87-02	89-16	8000151	End cap gasket (SB-1995-006)	1

All units using this order code with a date code of 87-02 and up to and including 89-16, must use part number "8000151". All units with a date code of 89-17 and newer must use part number "8000243".

Service bulletins

A Service Bulletin Number (SB-____-____) may follow the "Part Name" of the part you desire. You must read that Service Bulletin prior to ordering that part. The information contained in these Service Bulletins, as of the print date of this bulletin, are included at the end of this manual. Service Bulletins contain more detailed information such as interchangeability, what additional parts are involved, etc. It is suggested that you add additional Service Bulletins to this manual as you receive them.

Procedure to identify a part

General

The modular design of H1B units results in a simplified service parts list and part number identification procedure.

The same item numbers are used for same part names on all units within a product type. (Example: The lip seal - Item G0020 has the same item number on all motors.)

A part number that has another number following it in parentheses is done to make this a world wide manual. The first number is sold in Germany. The number in parentheses is sold in the United States. (Example: 314583 (9008000-0118), customers would order 9008000-0118 if ordering the part in the United States.)

Example of a Part Identification

The nameplate on an H1 motor has an Order Code of H1-B-210-A-A-F1-EA-N-A-TB-VN-FN-N-A-15-NN-042-Z-00-NNN. Use the following procedures to determine the part number of the minimum angle set screw used on this motor.

1) Referring to the minimum displacement module in the Order Code (see page 7), the minimum angle set screw option for this motor is identified by the code "042". (H1-B-210-A-A-F1-EA-N-A-TB-VN-FN-N-A-15-NN **042** Z 00 NNN)

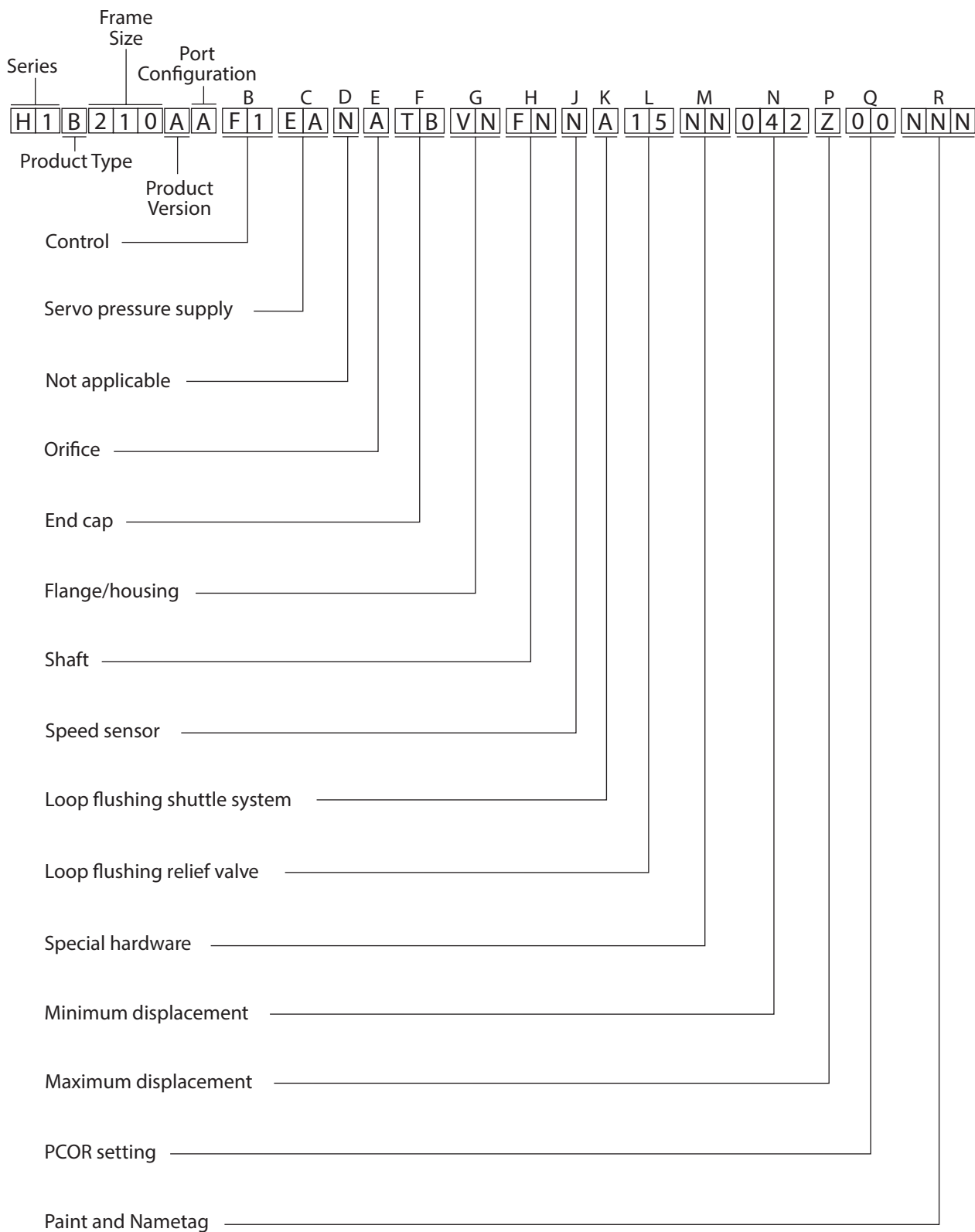
2) Referring to the Service Parts List, find the minimum displacement group. Next find the order code that relates to this unit, which is "042". The minimum angle set screw is found to be item N1000 and part number 749564.



Notes



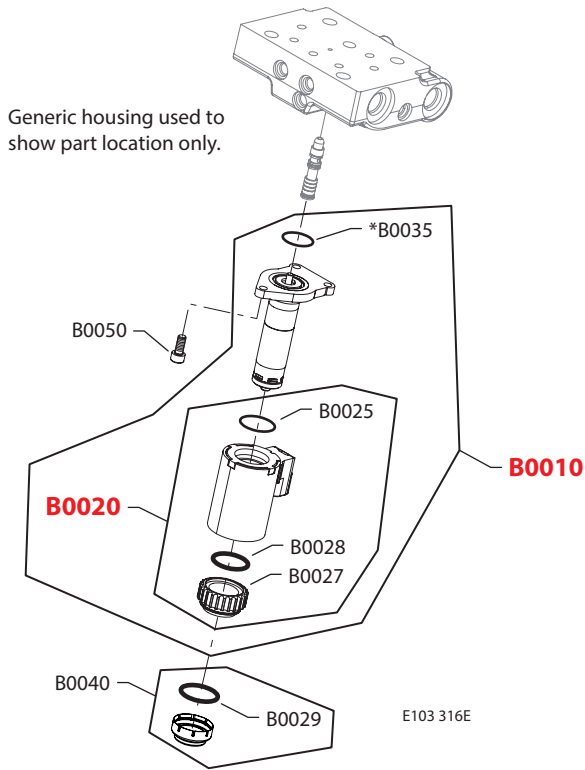
Order code



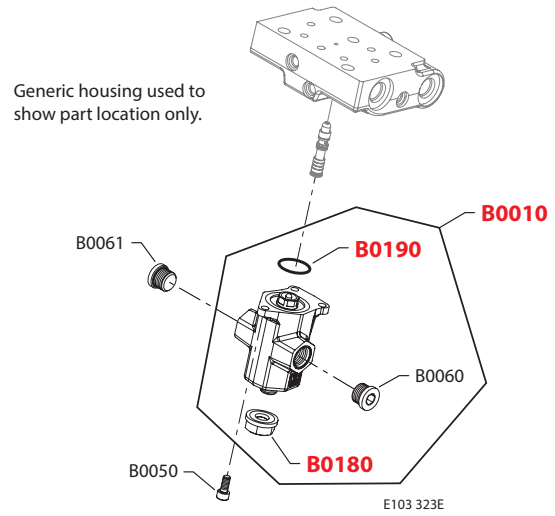


Control

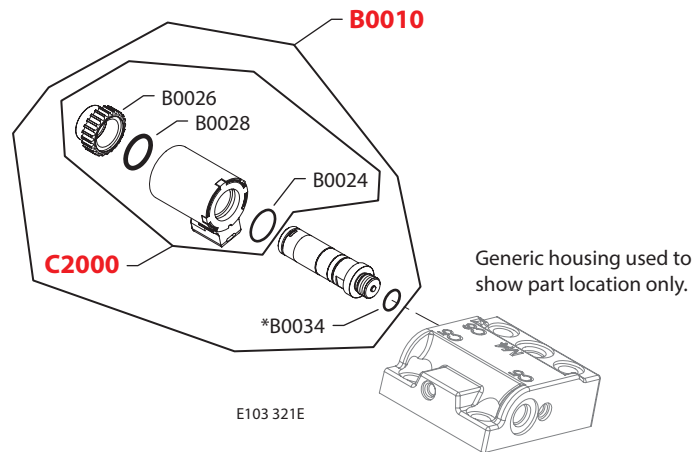
(D1 & D2)



(DH)



(E1 & E2)



* = included in overhaul seal kit Q210

Enlarged **bold** type item numbers are recommended part to stock for servicing.


Control
Electric proportional

Order Code	Item	Date Begin	Date End	Part Number	Part Name	Qty. per Model/Kit
D1	B0010	15-49		149053	Solenoid valve, proportional, 12 volt	1
	B0020	15-49		11031746	Coil kit, 12 volt	1
	B0025	15-49		11004735	O-ring	1
	B0027	15-49		11004749	Coil nut	1
	B0028	15-49		063172	O-ring	1
	B0029	15-49		11037174	O-ring	1
	B0035	15-49		11001952	O-ring	1
	B0040	15-49		11014185	Plastic cap	1
	B0050	15-49		716860	Screw, M5 x 12	3
D2	B0010	15-49		11002705	Solenoid valve, proportional, 24 volt	1
	B0020	15-49		11031749	Coil kit, 24 volt	1
	B0025	15-49		11004735	O-ring	1
	B0027	15-49		11004749	Coil nut	1
	B0028	15-49		063172	O-ring	1
	B0029	15-49		11037174	O-ring	1
	B0035	15-49		11001952	O-ring	1
	B0040	15-49		11014185	Plastic cap	1
	B0050	15-49		716860	Screw, M5 x 12	3

Hydraulic proportional

DH	B0010	15-49		11146306	Actuator assembly	1
	B0050	15-49		716860	Screw, M5 x 12	3
	B0060	15-49		140644	Plug assembly	1
	B0061	15-49		140644	Plug assembly	1
	B0180	15-49		076042 (9003509-0012)	Seal nut, M12	1
	B0190	15-49		012575 (9004105-1170)	O-ring	1

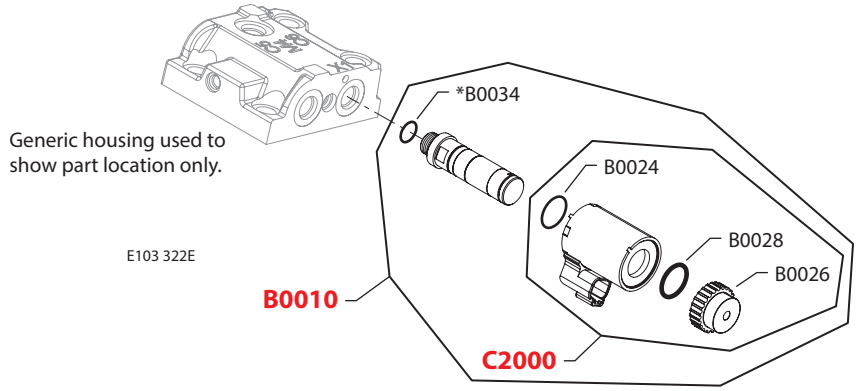
Electric 2-position

E1	B0010	15-49		11013615	Solenoid, on/off, 12 volt	1
	B0024	15-49		11031608	O-ring	1
	B0026	15-49		11027046	Coil nut	1
	B0028	15-49		063172	O-ring	1
	B0034	15-49		085043 (9004201-3700)	O-ring	1
	C2000	15-49		11031763	Coil kit, 12 volt	1
	E2	B0010	15-49		11013616	Solenoid, on/off, 24 volt
B0024		15-49		11031608	O-ring	1
B0026		15-49		11027046	Coil nut	1
B0028		15-49		063172	O-ring	1
B0034		15-49		085043 (9004201-3700)	O-ring	1
C2000		15-49		11031764	Coil kit, 24 volt	1

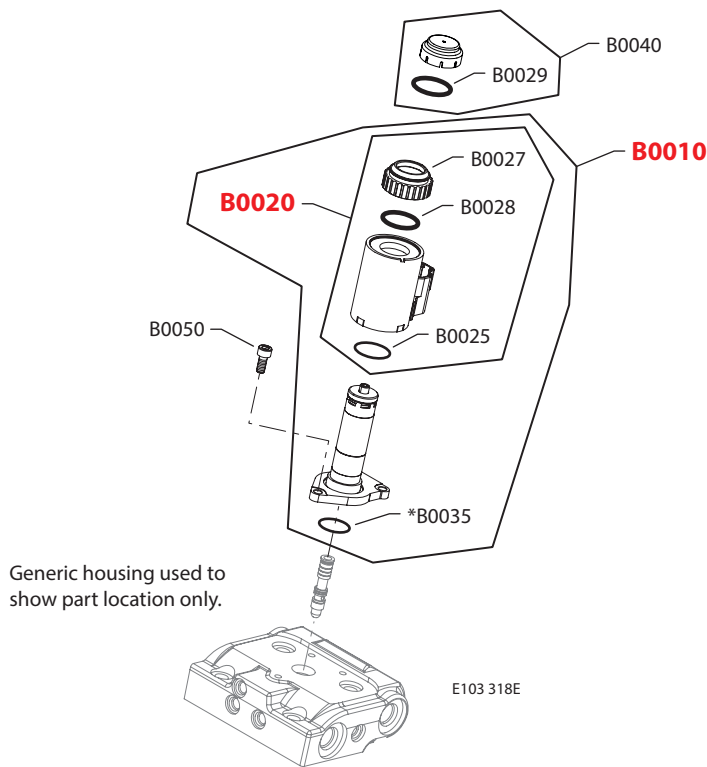


Control

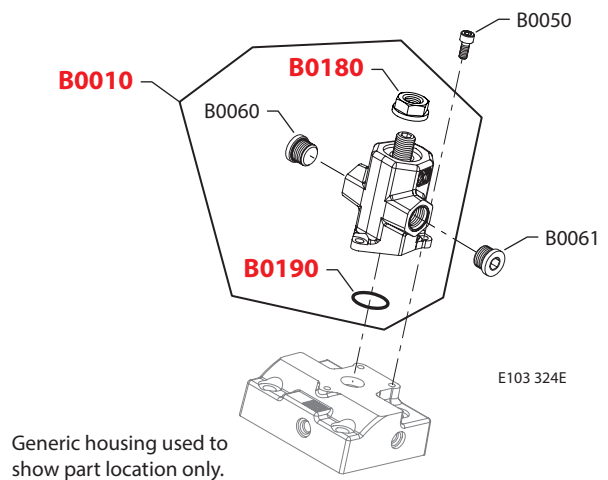
(F1 & F2)



(K1 & K2)



(KH)



* = included in overhaul seal kit Q210

Enlarged **bold** type item numbers are recommended part to stock for servicing.


Control
Electric 2-position control

Order Code	Item	Date Begin	Date End	Part Number	Part Name	Qty. per Model/Kit
F1	B0010	15-49		11013615	Solenoid, on/off, 12 volt	1
	B0024	15-49		11031608	O-ring	1
	B0026	15-49		11027046	Coil nut	1
	B0028	15-49		063172	O-ring	1
	B0034	15-49		085043 (9004201-3700)	O-ring	1
	C2000	15-49		11031763	Coil kit, 12 volt	1
F2	B0010	15-49		11013616	Solenoid, on/off, 24 volt	1
	B0024	15-49		11031608	O-ring	1
	B0026	15-49		11027046	Coil nut	1
	B0028	15-49		063172	O-ring	1
	B0034	15-49		085043 (9004201-3700)	O-ring	1
	C2000	15-49		11031764	Coil kit, 24 volt	1

Hydraulic 2-position

HE	no parts				
HF	no parts				

Electric 2-position control

K1	B0010	15-49		149053	Solenoid valve, proportional, 12 volt	1
	B0020	15-49		11031746	Coil kit, 12 volt	1
	B0025	15-49		11004735	O-ring	1
	B0027	15-49		11004749	Coil nut	1
	B0028	15-49		063172	O-ring	1
	B0029	15-49		11037174	O-ring	1
	B0035	15-49		11001952	O-ring	1
	B0040	15-49		11014185	Plastic cap	1
	B0050	15-49		716860	Screw, M5 x 12	3
	K2	B0010	15-49		11002705	Solenoid valve, proportional, 24 volt
B0020		15-49		11031749	Coil kit, 24 volt	1
B0025		15-49		11004735	O-ring	1
B0027		15-49		11004749	Coil nut	1
B0028		15-49		063172	O-ring	1
B0029		15-49		11037174	O-ring	1
B0035		15-49		11001952	O-ring	1
B0040		15-49		11014185	Plastic cap	1
B0050		15-49		716860	Screw, M5 x 12	3

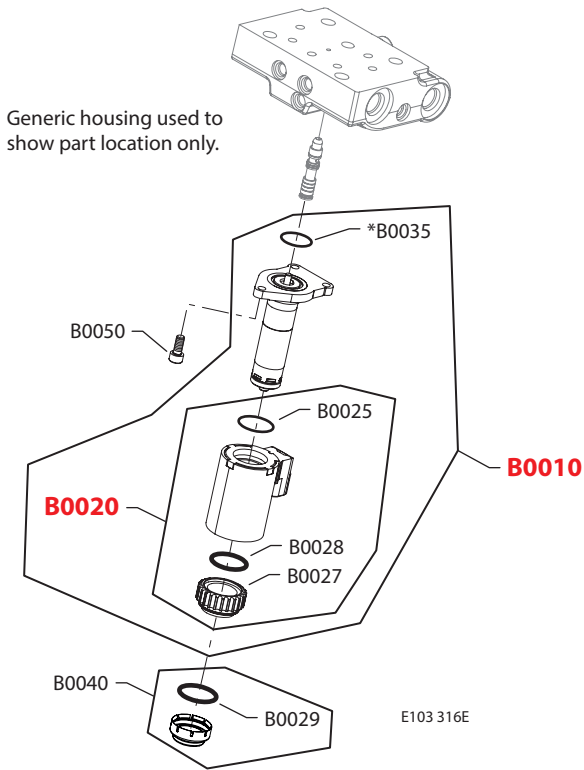
Hydraulic proportional

KH	B0010	15-48		11146306	Actuator assembly	1
	B0050	15-48		716860	Screw, M5 x 12	3
	B0060	15-48		140644	Plug assembly	1
	B0061	15-48		140644	Plug assembly	1
	B0180	15-48		076042 (9003509-0012)	Seal nut, M12	1
	B0190	15-48		012575 (9004105-1170)	O-ring	1

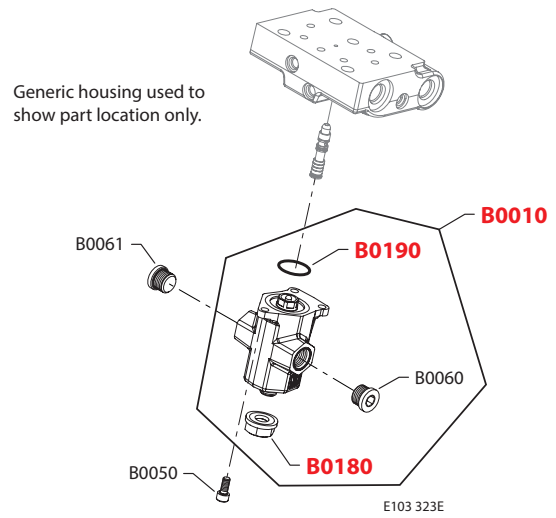


Control

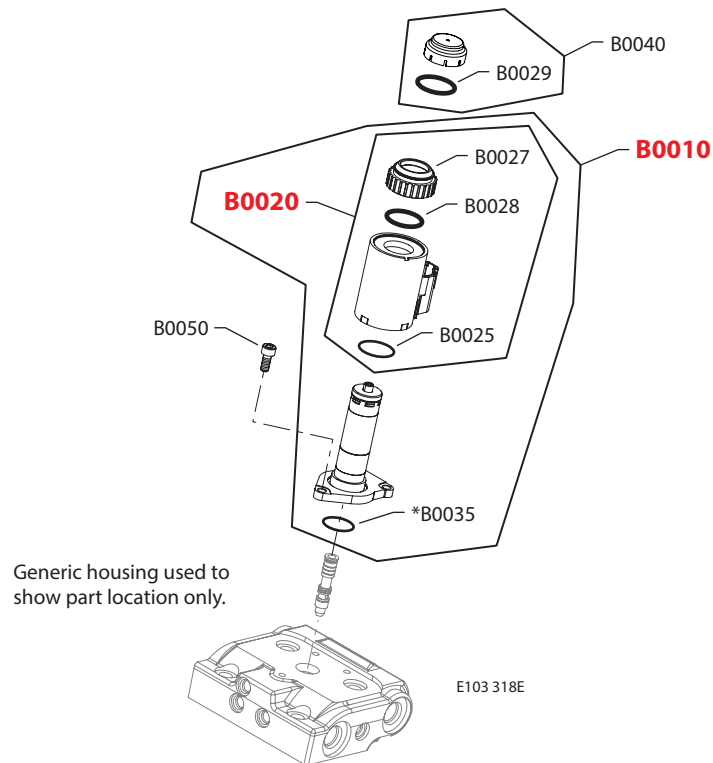
(L1 & L2)



(LH)



M1 & M2)



* = included in overhaul seal kit Q210

Enlarged **bold** type item numbers are recommended part to stock for servicing.


Control
Electric proportional control

Order Code	Item	Date Begin	Date End	Part Number	Part Name	Qty. per Model/Kit
L1	B0010	15-49		149053	Solenoid valve, proportional, 12 volt	1
	B0020	15-49		11031746	Coil kit, 12 volt	1
	B0025	15-49		11004735	O-ring	1
	B0027	15-49		11004749	Coil nut	1
	B0028	15-49		063172	O-ring	1
	B0029	15-49		11037174	O-ring	1
	B0035	15-49		11001952	O-ring	1
	B0040	15-49		11014185	Plastic cap	1
	B0050	15-49		716860	Screw, M5 x 12	3
L2	B0010	15-49		11002705	Solenoid valve, proportional, 24 volt	1
	B0020	15-49		11031749	Coil kit, 24 volt	1
	B0025	15-49		11004735	O-ring	1
	B0027	15-49		11004749	Coil nut	1
	B0028	15-49		063172	O-ring	1
	B0029	15-49		11037174	O-ring	1
	B0035	15-49		11001952	O-ring	1
	B0040	15-49		11014185	Plastic cap	1
	B0050	15-49		716860	Screw, M5 x 12	3

Hydraulic proportional

LH	B0010	15-49		11146306	Actuator assembly	1
	B0050	15-49		716860	Screw, M5	3
	B0060	15-49		140644	Plug assembly	1
	B0061	15-49		140644	Plug assembly	1
	B0180	15-49		076042 (9003509-0012)	Seal nut, M12	1
	B0190	15-49		012575 (9004105-1170)	O-ring	1

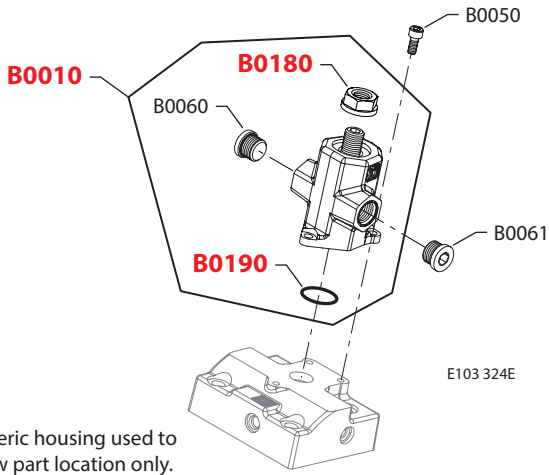
Electric proportional control

M1	B0010	15-49		149053	Solenoid valve, proportional, 12 volt	1
	B0020	15-49		11031746	Coil kit, 12 volt	1
	B0025	15-49		11004735	O-ring	1
	B0027	15-49		11004749	Coil nut	1
	B0028	15-49		063172	O-ring	1
	B0029	15-49		11037174	O-ring	1
	B0035	15-49		11001952	O-ring	1
	B0040	15-49		11014185	Plastic cap	1
	B0050	15-49		716860	Screw, M5 x 12	3
M2	B0010	15-49		11002705	Solenoid valve, proportional, 24 volt	1
	B0020	15-49		11031749	Coil kit, 24 volt	1
	B0025	15-49		11004735	O-ring	1
	B0027	15-49		11004749	Coil nut	1
	B0028	15-49		063172	O-ring	1
	B0029	15-49		11037174	O-ring	1
	B0035	15-49		11001952	O-ring	1
	B0040	15-49		11014185	Plastic cap	1
	B0050	15-49		716860	Screw, M5 x 12	3

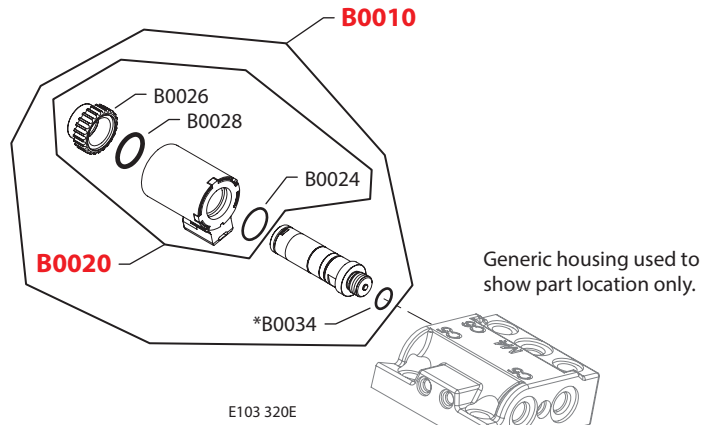


Control

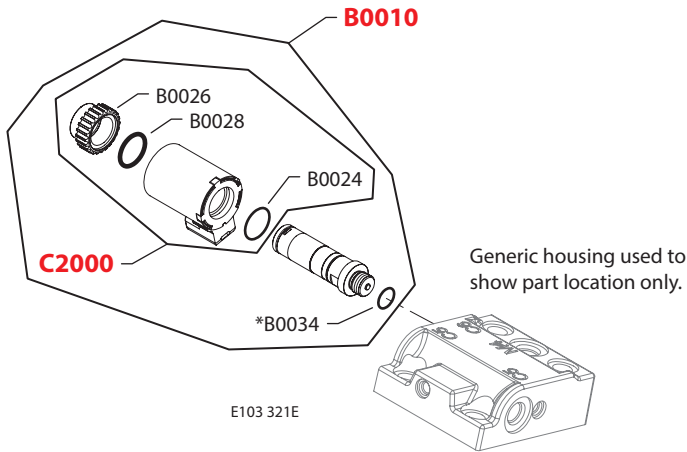
(MH)



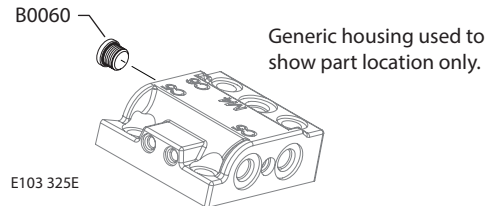
(P1 & P2)



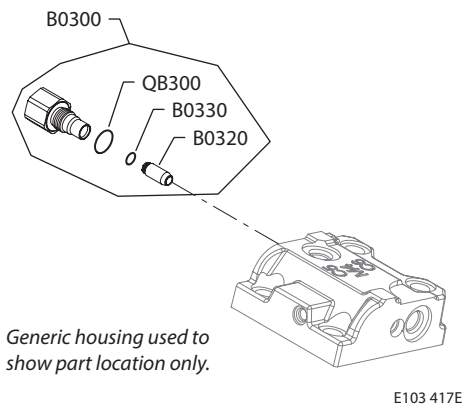
(T1 & T2)



(TA)



(TH)



* = included in overhaul seal kit Q210

Enlarged **bold** type item numbers are recommended part to stock for servicing.


Control
Hydraulic proportional control

Order Code	Item	Date Begin	Date End	Part Number	Part Name	Qty. per Model/Kit
MH	B0010	15-49		11146306	Actuator assembly	1
	B0050	15-49		716860	Screw, M5 x 12	3
	B0060	15-49		140644	Plug assembly	1
	B0061	15-49		140644	Plug assembly	1
	B0180	15-49		076042 (9003509-0012)	Seal nut, M12	1
	B0190	15-49		012575 (9004105-1170)	O-ring	1

Hydraulic 2-position

N1	no parts				
NA	no parts				
NB	no parts				

Electric 2-position control

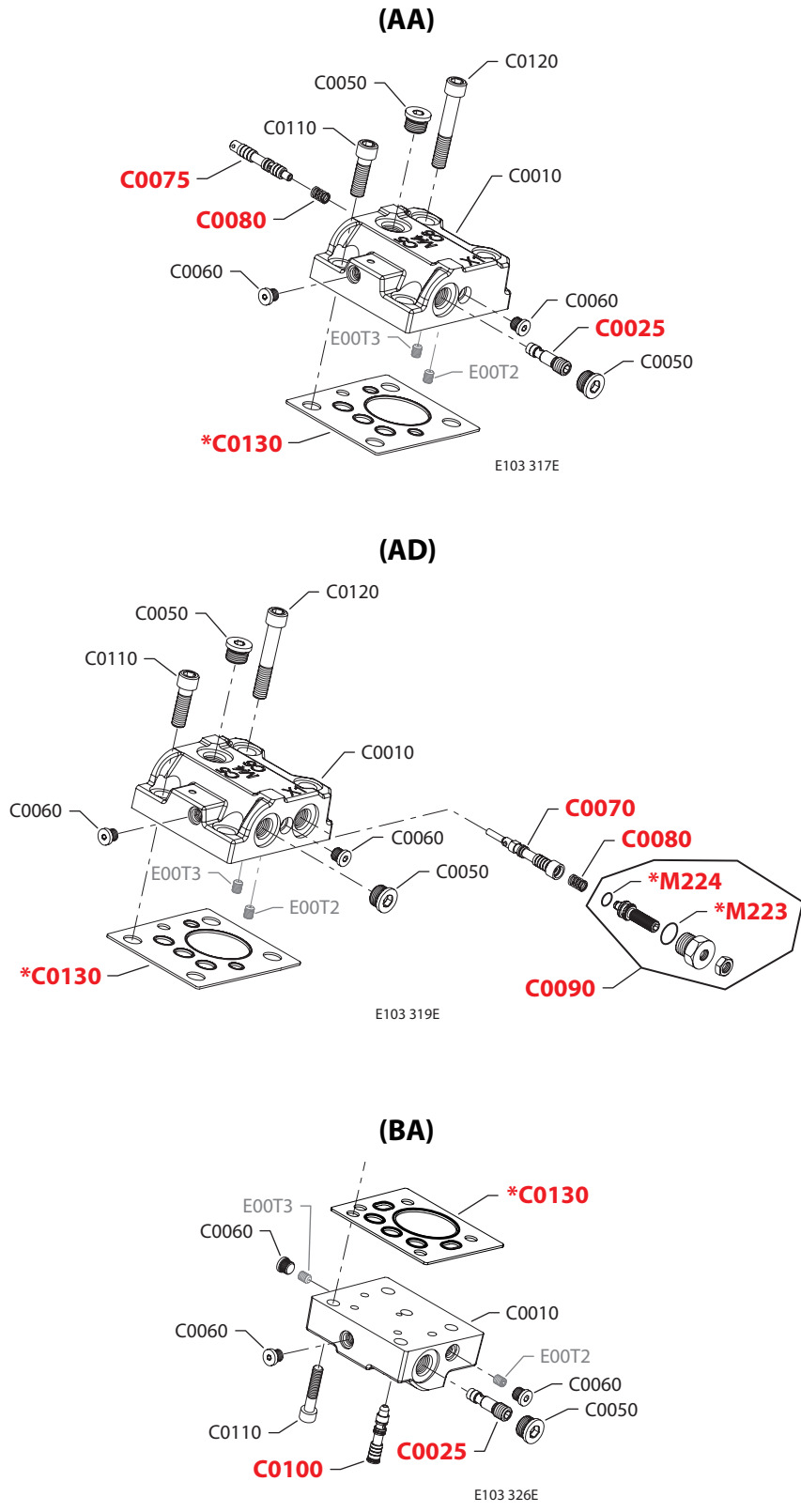
P1	B0010	15-49		11013613	Solenoid valve, proportional, 12 volt	1
	B0020	15-49		11031751	Coil kit, 12 volt	1
	B0024	15-49		11031608	O-ring	1
	B0026	15-49		11027046	Coil nut	1
	B0028	15-49		063172	O-ring	1
	B0034	15-49		085043 (9004201-3700)	O-ring	1
	P2	B0010	15-49		11013614	Solenoid valve, proportional, 24 volt
B0020		15-49		11031762	Coil kit, 24 volt	1
B0024		15-49		11031608	O-ring	1
B0026		15-49		11027046	Coil nut	1
B0028		15-49		063172	O-ring	1
B0034		15-49		085043 (9004201-3700)	O-ring	1
T1		B0010	15-49		11013615	Solenoid, on/off, 12 volt
	B0024	15-49		11031608	O-ring	1
	B0026	15-49		11027046	Coil nut	1
	B0028	15-49		063172	O-ring	1
	B0034	15-49		085043 (9004201-3700)	O-ring	1
	C2000	15-49		11031763	Coil kit, 12 volt	1
	T2	B0010	15-49		11013616	Solenoid, on/off, 24 volt
B0024		15-49		11031608	O-ring	1
B0026		15-49		11027046	Coil nut	1
B0028		15-49		063172	O-ring	1
B0034		15-49		085043 (9004201-3700)	O-ring	1
C2000		15-49		11031764	Coil kit, 24 volt	1
TA		B0060	11-46		140644	Plug assembly

Hydraulic 2-position

TH	B0300	15-49		11157844	PCOR override adapter assembly	1
	B0320	15-49		11157843	Sensing spool	1
	B0330	15-49		11164139	O-ring	1
	QB300	15-49		085043 (9004201-3700)	O-ring	1



Servo pressure supply



* = included in overhaul seal kit Q210

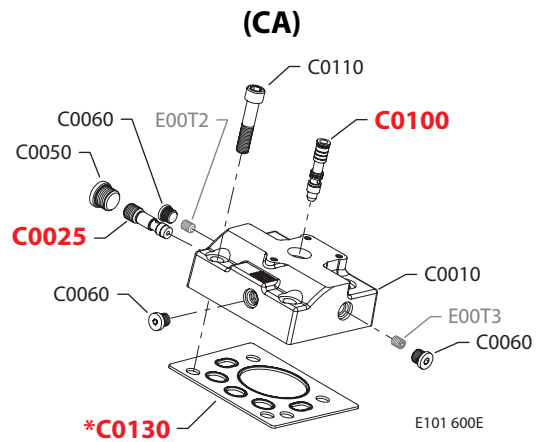
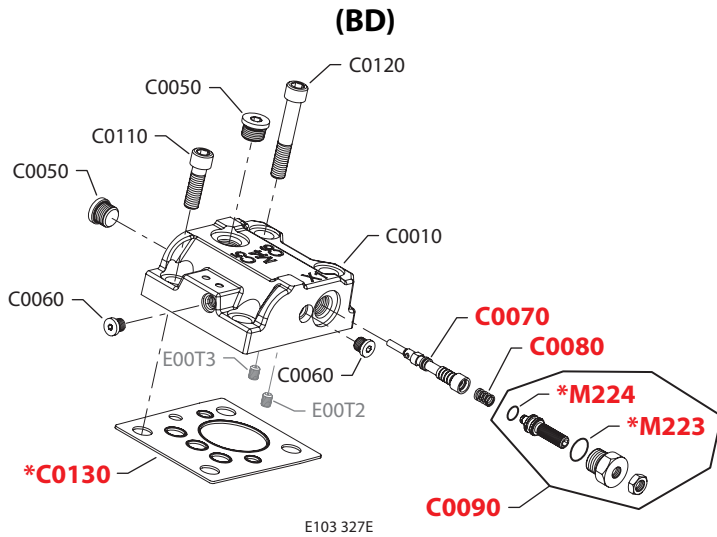
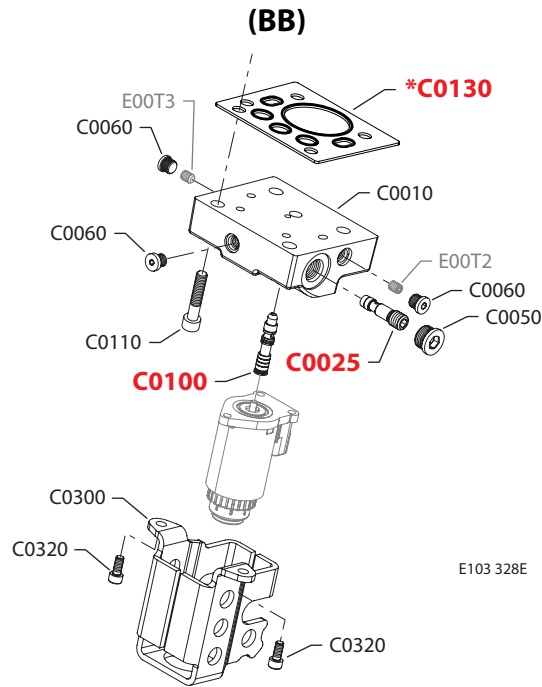
Enlarged **bold** type item numbers are recommended part to stock for servicing.


Servo pressure supply
Servo pressure supply

Order Code	Item	Date Begin	Date End	Part Number	Part Name	Qty. per Model/Kit	
AA	C0010	15-49		11086113	Control housing, 2-position	1	
	C0025	15-49		11000893	Shuttle valve assembly	1	
	C0050	15-49		140644	Plug assembly	2	
	C0060	15-49		11040532	Plug assembly	2	
	C0075	15-49		11016166	Spool	1	
	C0080	15-49		11067002	Spring	1	
	C0110	15-49		737866 (9007314-1207)	Screw, M12 x 30	2	
	C0120	15-49		283325 (9007314-1211)	Screw, M12 x 50	2	
	C0130	15-49		11016168	Control seal	1	
	AD	C0010	15-49		11110070	Control housing, 2-position	1
C0050		15-49		140644	Plug assembly	2	
C0060		15-49		11040532	Plug assembly	2	
C0070		15-49		11016228	Spool	1	
C0080		15-49		11067002	Spring	1	
C0090		15-49		509360	Adjuster	1	
C0110		15-49		737866 (9007314-1207)	Screw, M12 x 30	2	
C0120		15-49		283325 (9007314-1211)	Screw, M12 x 50	2	
C0130		15-49		11016168	Control seal	1	
M223		15-49		085043 (9004201-3700)	O-ring	1	
M224		15-49		732479 (9004105-0100)	O-ring	1	
BA		C0010	15-49		149057	Control housing, proportional	1
		C0025	15-49		11000893	Shuttle valve assembly	1
	C0050	15-49		140644	Plug assembly	1	
	C0060	15-49		11040532	Plug assembly	3	
	C0100	15-49		149041	Spool	1	
	C0110	15-49		710855	Screw, M8 x 35	4	
	C0130	15-49		149040	Control seal	1	
	BA, metric	C0010	15-45		11161819	Control housing, proportional, metric	1
C0025		15-45		11000893	Shuttle valve assembly	1	
C0050		15-45		5000438	Plug assembly, M14	1	
C0060		15-45		11040532	Plug assembly	3	
C0100		15-45		149041	Spool	1	
C0110		15-45		710855	Screw, M8 x 35	4	
C0130		15-45		149040	Control seal	1	



Servo pressure supply



* = included in overhaul seal kit Q210

Enlarged **bold** type item numbers are recommended part to stock for servicing.

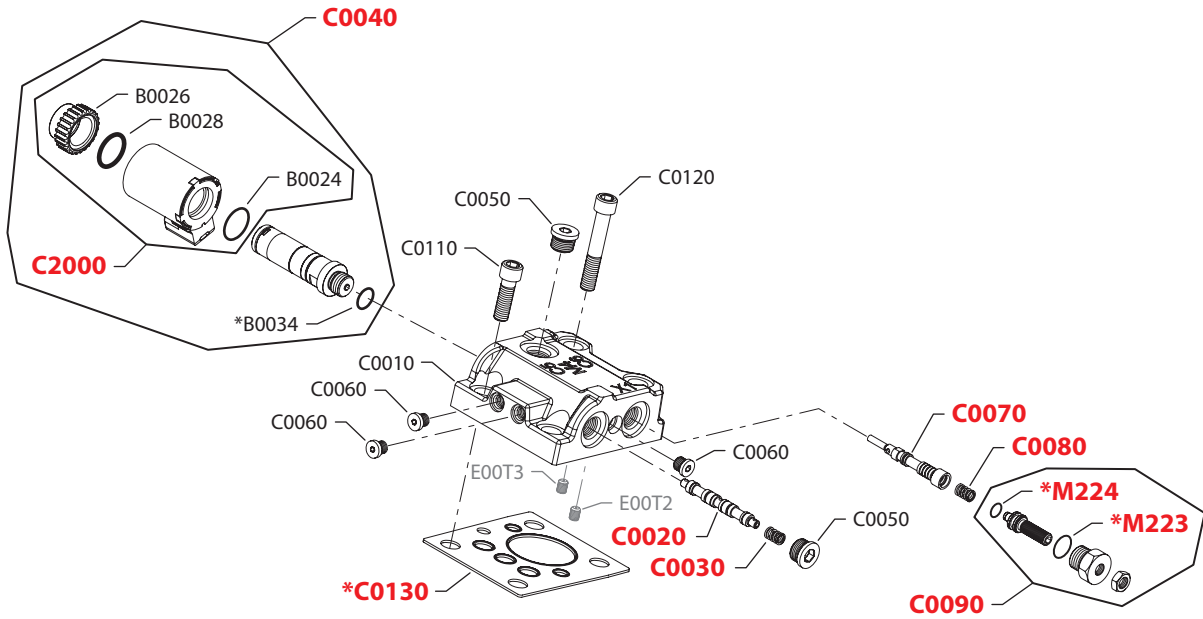

Servo pressure supply
Servo pressure supply

Order Code	Item	Date Begin	Date End	Part Number	Part Name	Qty. per Model/Kit
BB	C0010	12-24		11116918	Control housing, proportional	1
	C0025	12-24		11000893	Shuttle valve assembly	1
	C0050	12-24		140644	Plug assembly	1
	C0060	12-24		11040532	Plug assembly	3
	C0100	12-24		149041	Spool	1
	C0110	12-24		710855	Screw, M8 x 35	4
	C0130	12-24		149040	Control seal	1
	C0300	12-24		11086158	Protective cover	1
	C0320	12-24		395822	Screw, M6 x 12mm	2
	BD	C0010	15-49		11110071	Control housing, 2-position
C0050		15-49		140644	Plug assembly	2
C0060		15-49		11040532	Plug assembly	2
C0070		15-49		11016228	Spool	1
C0080		15-49		11067002	Spring	1
C0090		15-49		509360	Adjuster	1
C0110		15-49		737866 (9007314-1207)	Screw, M12 x 30	2
C0120		15-49		283325 (9007314-1211)	Screw, M12 x 50	2
C0130		15-49		11016168	Control seal	1
M223		15-49		085043 (9004201-3700)	O-ring	1
M224		15-49		732479 (9004105-0100)	O-ring	1
CA		C0010	15-49		149057	Control housing, proportional
	C0025	15-49		11000893	Shuttle valve assembly	1
	C0050	15-49		140644	Plug assembly	1
	C0060	15-49		11040532	Plug assembly	3
	C0100	15-49		149041	Spool	1
	C0110	15-49		710855	Screw, M8 x 35	4
	C0130	15-49		149040	Control seal	1



Servo pressure supply

(D1 & D2)



E101 601E

* = included in overhaul seal kit Q210

Enlarged **bold** type item numbers are recommended part to stock for servicing.

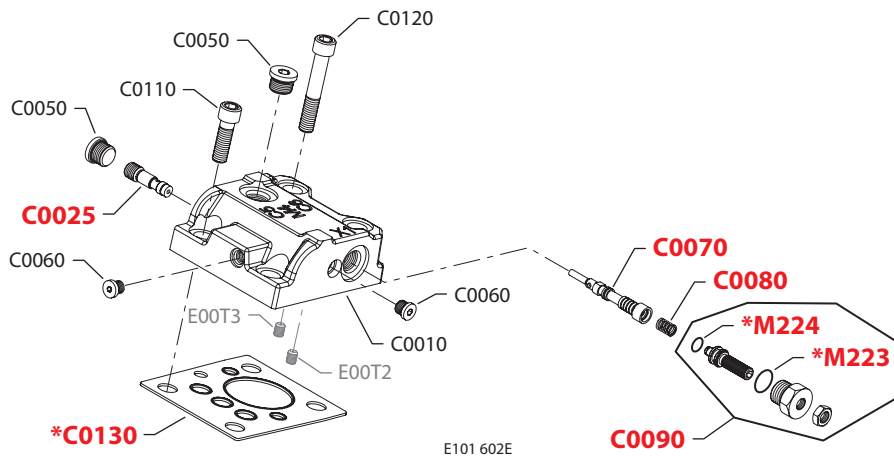

Servo pressure supply
Servo pressure supply

Order Code	Item	Date Begin	Date End	Part Number	Part Name	Qty. per Model/Kit
D1	B0024	15-49		11031608	O-ring	1
	B0026	15-49		11027046	Coil nut	1
	B0028	15-49		063172	O-ring	1
	B0034	15-49		085043 (9004201-3700)	O-ring	1
	C0010	15-49		11086114	Control housing, PCOR	1
	C0020	15-49		11016229	Spool	1
	C0030	15-49		11067002	Spring	1
	C0040	15-49		11013615	Solenoid, on/off, 12 volt	1
	C0050	15-49		140644	Plug assembly	2
	C0060	15-49		11040532	Plug assembly	3
	C0070	15-49		11016228	Spool	1
	C0080	15-49		11067002	Spring	1
	C0090	15-49		509360	Adjuster	1
	C0110	15-49		737866 (9007314-1207)	Screw, M12 x 30	2
	C0120	15-49		283325 (9007314-1211)	Screw, M12 x 50	2
	C0130	15-49		11016168	Control seal	1
	C2000	15-49		11031763	Coil kit, 12 volt	1
	M223	15-49		085043 (9004201-3700)	O-ring	1
	M224	15-49		732479 (9004105-0100)	O-ring	1
	D2	B0024	15-49		11031608	O-ring
B0026		15-49		11027046	Coil nut	1
B0028		15-49		063172	O-ring	1
B0034		15-49		085043 (9004201-3700)	O-ring	1
C0010		15-49		11086114	Control housing, PCOR	1
C0020		15-49		11016229	Spool	1
C0030		15-49		11067002	Spring	1
C0040		15-49		11013616	Solenoid, on/off, 24 volt	1
C0050		15-49		140644	Plug assembly	2
C0060		15-49		11040532	Plug assembly	3
C0070		15-49		11016228	Spool	1
C0080		15-49		11067002	Spring	1
C0090		15-49		509360	Adjuster	1
C0110		15-49		737866 (9007314-1207)	Screw, M12 x 30	2
C0120		15-49		283325 (9007314-1211)	Screw, M12 x 50	2
C0130		15-49		11016168	Control seal	1
C2000		15-49		11031764	Coil kit, 24 volt	1
M223		15-49		085043 (9004201-3700)	O-ring	1
M224		15-49		732479 (9004105-0100)	O-ring	1

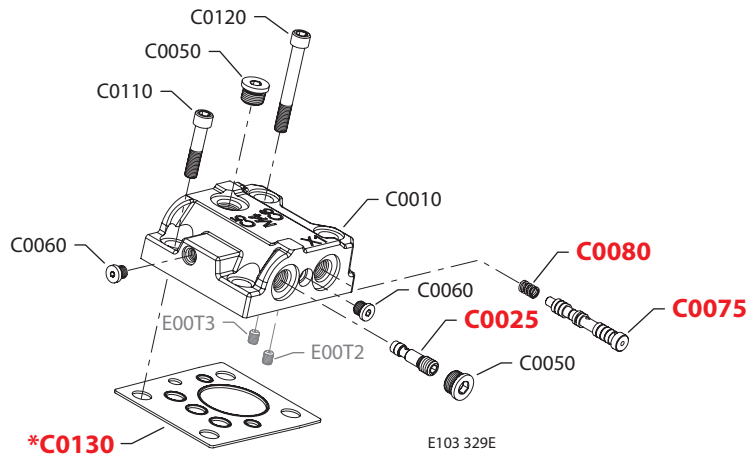


Servo pressure supply

(DA)



(EA)



* = included in overhaul seal kit Q210

Enlarged **bold** type item numbers are recommended part to stock for servicing.

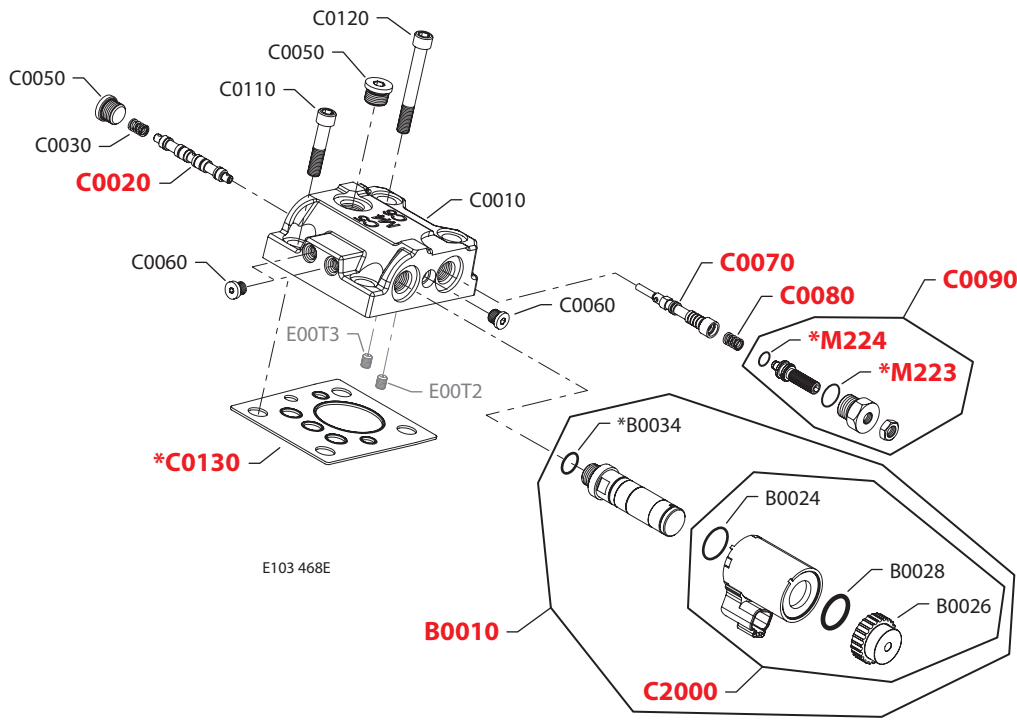

Servo pressure supply
Servo pressure supply

Order Code	Item	Date Begin	Date End	Part Number	Part Name	Qty. per Model/Kit
DA	C0010	15-49		11086115	Control housing, PCOR	1
	C0025	15-49		11000893	Shuttle valve assembly	1
	C0050	15-49		140644	Plug assembly	2
	C0060	15-49		11040532	Plug assembly	2
	C0070	15-49		11016228	Spool	1
	C0080	15-49		11067002	Spring	1
	C0090	15-49		509360	Adjuster	1
	C0110	15-49		737866 (9007314-1207)	Screw, M12 x 30	2
	C0120	15-49		283325 (9007314-1211)	Screw, M12 x 50	2
	C0130	15-49		11016168	Control seal	1
	M223	15-49		085043 (9004201-3700)	O-ring	1
	M224	15-49		732479 (9004105-0100)	O-ring	1
EA	C0010	15-49		11099281	Control housing, 2-position	1
	C0025	15-49		11000893	Shuttle valve assembly	1
	C0050	15-49		140644	Plug assembly	2
	C0060	15-49		11040532	Plug assembly	2
	C0075	15-49		11122114	Spool, 2-position	1
	C0080	15-49		11067002	Spring	1
	C0110	15-49		737866 (9007314-1207)	Screw, M12 x 30	2
	C0120	15-49		283325 (9007314-1211)	Screw, M12 x 50	2
	C0130	15-49		11016168	Control seal	1



Servo pressure supply

(G1 & G2)



* = included in overhaul seal kit Q210

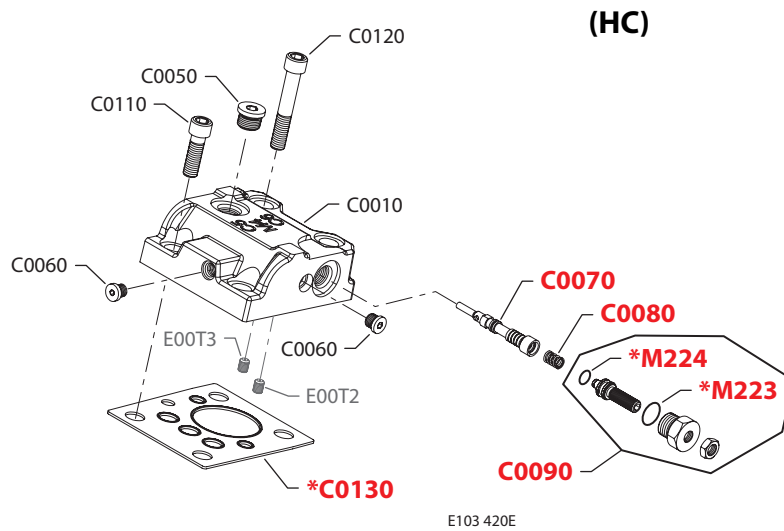
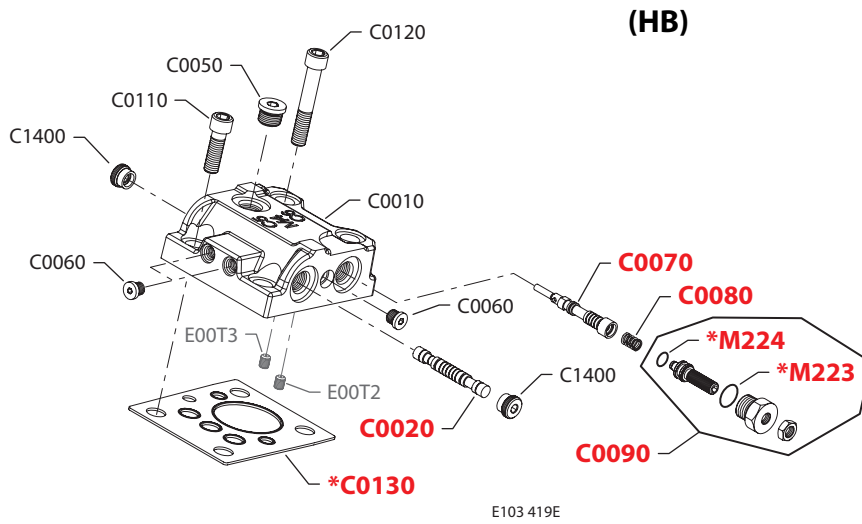
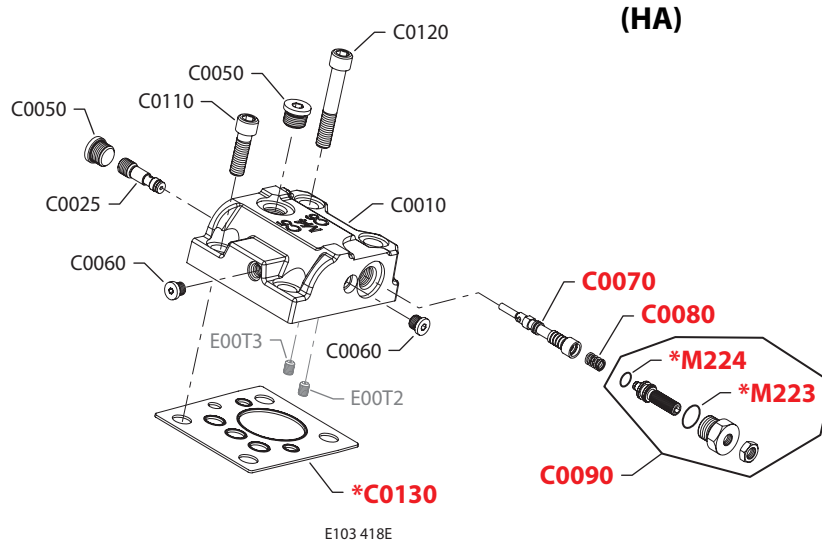
Enlarged **bold** type item numbers are recommended part to stock for servicing.


Servo pressure supply
Servo pressure supply

Order Code	Item	Date Begin	Date End	Part Number	Part Name	Qty. per Model/Kit
G1	B0024	16-07		11031608	O-ring	1
	B0026	16-07		11027046	Coil nut	1
	B0028	16-07		063172	O-ring	1
	B0034	16-07		085043 (9004201-3700)	O-ring	1
	C0010	16-07		11173253	Control housing, 2-position	1
	C0020	16-07		11016229	Spool	1
	C0030	16-07		11067002	Spring	1
	C0040	16-07		11013615	Solenoid valve, 12v	1
	C0050	16-07		140644	Plug assembly	2
	C0060	16-07		11040532	Plug assembly	3
	C0070	16-07		11016228	Spool	1
	C0080	16-07		11067002	Spring	1
	C0090	16-07		509360	Adjuster	1
	C0110	16-07		737866 (9007314-1207)	Screw, M12 x 30	2
	C0120	16-07		283325 (9007314-1211)	Screw, M12 x 50	2
	C0130	16-07		11016168	Control seal	1
	C2000	16-07		11031763	Coil kit, 12v	1
	M223	16-07		085043 (9004201-3700)	O-ring	1
	M224	16-07		732479 (9004105-0100)	O-ring	1
	G2	B0024	16-07		11031608	O-ring
B0026		16-07		11027046	Coil nut	1
B0028		16-07		063172	O-ring	1
B0034		16-07		085043 (9004201-3700)	O-ring	1
C0010		16-07		11173253	Control housing, 2-position	1
C0020		16-07		11016229	Spool	1
C0030		16-07		11067002	Spring	1
C0040		16-07		11013616	Solenoid valve, 24v	1
C0050		16-07		140644	Plug assembly	2
C0060		16-07		11040532	Plug assembly	3
C0070		16-07		11016228	Spool	1
C0080		16-07		11067002	Spring	1
C0090		16-07		509360	Adjuster	1
C0110		16-07		737866 (9007314-1207)	Screw, M12 x 30	2
C0120		16-07		283325 (9007314-1211)	Screw, M12 x 50	2
C0130		16-07		11016168	Control seal	1
C2000		16-07		11031764	Coil kit, 24v	1
M223		16-07		085043 (9004201-3700)	O-ring	1
M224		16-07		732479 (9004105-0100)	O-ring	1



Servo pressure supply



* = included in overhaul seal kit Q210

Enlarged **bold** type item numbers are recommended part to stock for servicing.

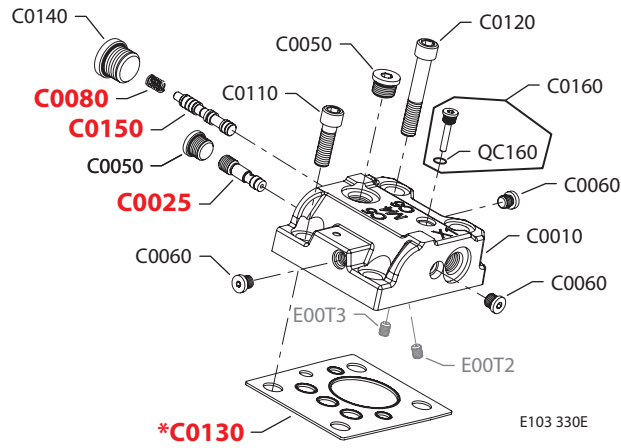

Servo pressure supply
Servo pressure supply

Order Code	Item	Date Begin	Date End	Part Number	Part Name	Qty. per Model/Kit	
HA	C0010	15-49		11162117	Control housing, 2-position	1	
	C0025	15-49		11000893	Shuttle valve assembly	1	
	C0050	15-49		140644	Plug assembly	2	
	C0060	15-49		11040532	Plug assembly	2	
	C0070	15-49		11016228	Spool	1	
	C0080	15-49		11067002	Spring	1	
	C0090	15-49		509360	Adjuster	1	
	C0110	15-49		737866 (9007314-1207)	Screw, M12 x 30	2	
	C0120	15-49		283325 (9007314-1211)	Screw, M12 x 50	2	
	C0130	15-49		11016168	Control seal	1	
	M223	15-49		085043 (9004201-3700)	O-ring	1	
	M224	15-49		732479 (9004105-0100)	O-ring	1	
	HB	C0010	15-49		11162118	Control housing, 2-position	1
		C0020	15-49		11162120	Spool	1
C0050		15-49		140644	Plug assembly	1	
C0060		15-49		11040532	Plug assembly	3	
C0070		15-49		11016228	Spool	1	
C0080		15-49		11067002	Spring	1	
C0090		15-49		509360	Adjuster	1	
C0110		15-49		737866 (9007314-1207)	Screw, M12 x 30	2	
C0120		15-49		283325 (9007314-1211)	Screw, M12 x 50	2	
C0130		15-49		11016168	Control seal	1	
C1400		15-49		11151817	Limiter plug	2	
M223		15-49		085043 (9004201-3700)	O-ring	1	
M224		15-49		732479 (9004105-0100)	O-ring	1	
HC		C0010	15-49		11162119	Control housing, 2-position	1
	C0050	15-49		140644	Plug assembly	1	
	C0060	15-49		11040532	Plug assembly	2	
	C0070	15-49		11016228	Spool	1	
	C0080	15-49		11067002	Spring	1	
	C0090	15-49		509360	Adjuster	1	
	C0110	15-49		737866 (9007314-1207)	Screw, M12 x 30	2	
	C0120	15-49		283325 (9007314-1211)	Screw, M12 x 50	2	
	C0130	15-49		11016168	Control seal	1	
	M223	15-49		085043 (9004201-3700)	O-ring	1	
	M224	15-49		732479 (9004105-0100)	O-ring	1	

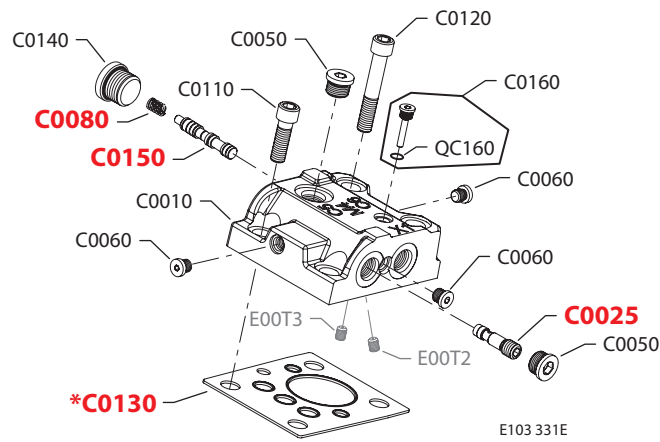


Servo pressure supply

(HE)



(HF)



* = included in overhaul seal kit Q210

Enlarged **bold** type item numbers are recommended part to stock for servicing.

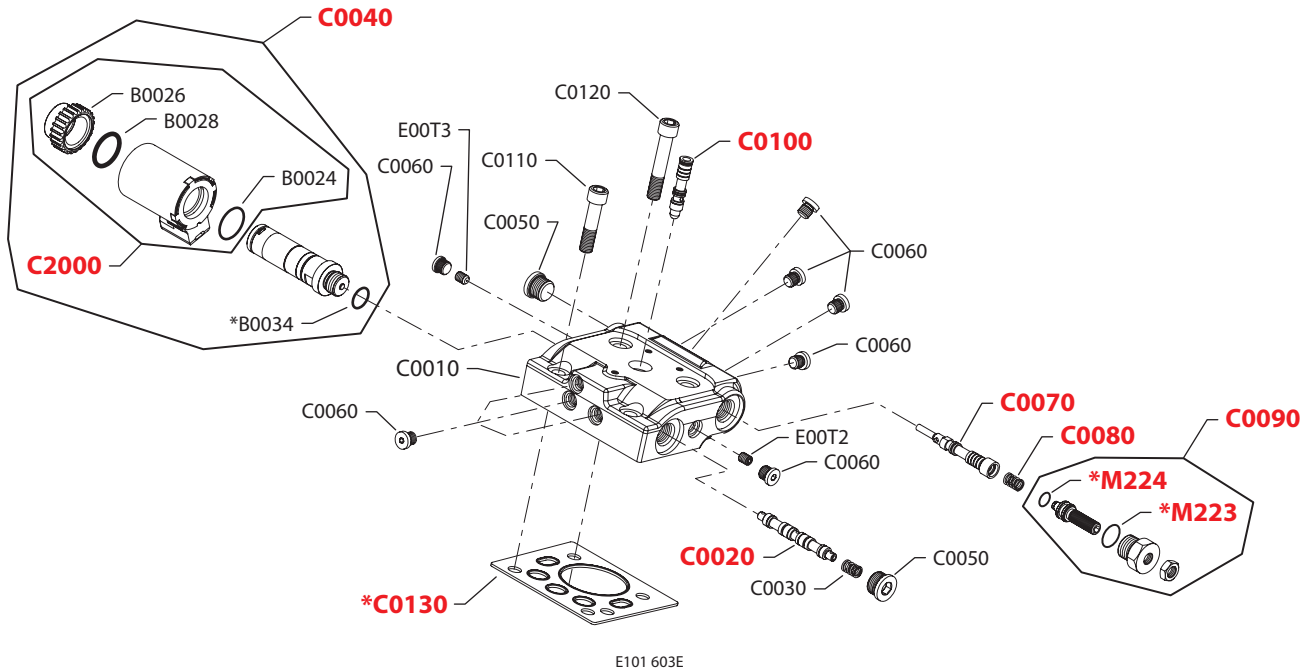

Servo pressure supply
Servo pressure supply

Order Code	Item	Date Begin	Date End	Part Number	Part Name	Qty. per Model/Kit	
HE	C0010	15-49		11086117	Control housing, 2-position	1	
	C0025	15-49		11000893	Shuttle valve assembly	1	
	C0050	15-49		140644	Plug assembly	2	
	C0060	15-49		11040532	Plug assembly	3	
	C0080	15-49		11067002	Spring	1	
	C0110	15-49		737866 (9007314-1207)	Screw, M12 x 30	2	
	C0120	15-49		283325 (9007314-1211)	Screw, M12 x 50	2	
	C0130	15-49		11016168	Control seal	1	
	C0140	15-49		315325 (9005110-8700)	Plug assembly	1	
	C0150	15-49		11068172	Spool	1	
	C0160	15-49		511244	Plug assembly	1	
	QC160	15-49		039297 (9004201-1200)	O-ring	1	
	HE, metric	C0010	15-49		11086117	Control housing, 2-position, metric	1
		C0025	15-49		11000893	Shuttle valve assembly	1
C0050		15-49		5000438	Plug assembly, M14	2	
C0060		15-49		11040532	Plug assembly	3	
C0080		15-49		11067002	Spring	1	
C0110		15-49		737866 (9007314-1207)	Screw, M12 x 30	2	
C0120		15-49		283325 (9007314-1211)	Screw, M12 x 50	2	
C0130		15-49		11016168	Control seal	1	
C0140		15-49		5000439	Plug assembly, M22	1	
C0150		15-49		11068172	Spool	1	
C0160		15-49		511244	Plug assembly	1	
QC160		15-49		039297 (9004201-1200)	O-ring	1	
HF		C0010	15-49		11086118	Control housing, 2-position	1
		C0025	15-49		11000893	Shuttle valve assembly	1
	C0050	15-49		140644	Plug assembly	2	
	C0060	15-49		11040532	Plug assembly	3	
	C0080	15-49		11067002	Spring	1	
	C0110	15-49		737866 (9007314-1207)	Screw, M12 x 30	2	
	C0120	15-49		283325 (9007314-1211)	Screw, M12 x 50	2	
	C0130	15-49		11016168	Control seal	1	
	C0140	15-49		315325 (9005110-8700)	Plug assembly	1	
	C0150	15-49		11068172	Spool	1	
	C0160	15-49		511244	Plug assembly	1	
	QC160	15-49		039297 (9004201-1200)	O-ring	1	



Servo pressure supply

(K1 & K2)



* = included in overhaul seal kit Q210

Enlarged **bold** type item numbers are recommended part to stock for servicing.

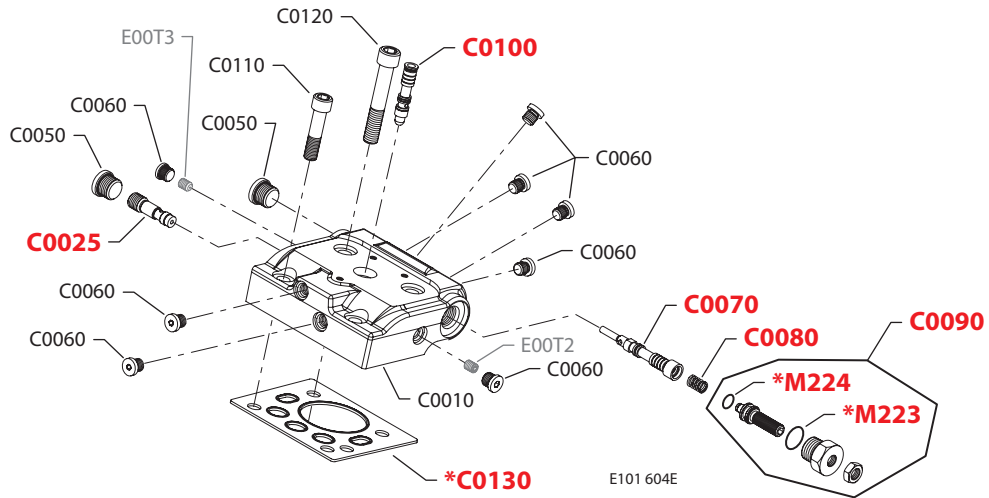

Servo pressure supply
Servo pressure supply

Order Code	Item	Date Begin	Date End	Part Number	Part Name	Qty. per Model/Kit
K1	B0024	15-49		11031608	O-ring	1
	B0026	15-49		11027046	Coil nut	1
	B0028	15-49		063172	O-ring	1
	B0034	15-49		085043 (9004201-3700)	O-ring	1
	C0010	15-49		11026748	Control housing, proportional, PCOR	1
	C0020	15-49		11026792	Spool	1
	C0030	15-49		11067002	Spring	1
	C0040	15-49		11013615	Solenoid, on/off, 12 volt	1
	C0050	15-49		140644	Plug assembly	2
	C0060	15-49		11040532	Plug assembly	9
	C0070	15-49		11026751	Spool	1
	C0080	15-49		11067002	Spring	1
	C0090	15-49		509360	Adjuster	1
	C0100	15-49		149041	Spool	1
	C0110	15-49		710855	Screw, M8 x 35	2
	C0120	15-49		746644 (9007314-0810)	Screw, M8 x 45	2
	C0130	15-49		149040	Control seal	1
	C2000	15-49		11031763	Coil kit, 12 volt	1
	M223	15-49		085043 (9004201-3700)	O-ring	1
	M224	15-49		732479 (9004105-0100)	O-ring	1
K2	B0024	15-49		11031608	O-ring	1
	B0026	15-49		11027046	Coil nut	1
	B0028	15-49		063172	O-ring	1
	B0034	15-49		085043 (9004201-3700)	O-ring	1
	C0010	15-49		11026748	Control housing, proportional, PCOR	1
	C0020	15-49		11026792	Spool	1
	C0030	15-49		11067002	Spring	1
	C0040	15-49		11013616	Solenoid, on/off, 24 volt	1
	C0050	15-49		140644	Plug assembly	2
	C0060	15-49		11040532	Plug assembly	9
	C0070	15-49		11026751	Spool	1
	C0080	15-49		11067002	Spring	1
	C0090	15-49		509360	Adjuster	1
	C0100	15-49		149041	Spool	1
	C0110	15-49		710855	Screw, M8 x 35	2
	C0120	15-49		746644 (9007314-0810)	Screw, M8 x 45	2
	C0130	15-49		149040	Control seal	1
	C2000	15-49		11031764	Coil kit, 24 volt	1
	M223	15-49		085043 (9004201-3700)	O-ring	1
	M224	15-49		732479 (9004105-0100)	O-ring	1

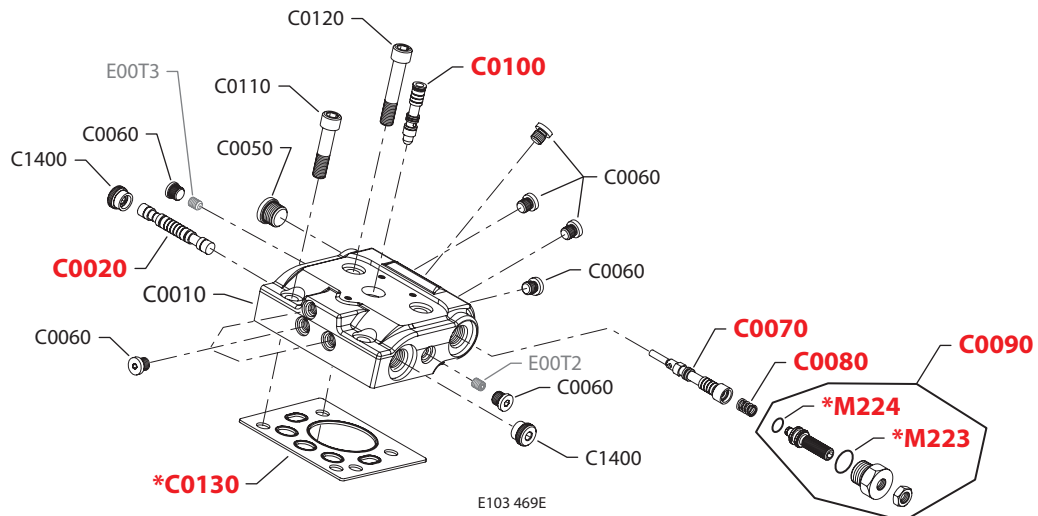


Servo pressure supply

(KA)



(KH)



* = included in overhaul seal kit Q210

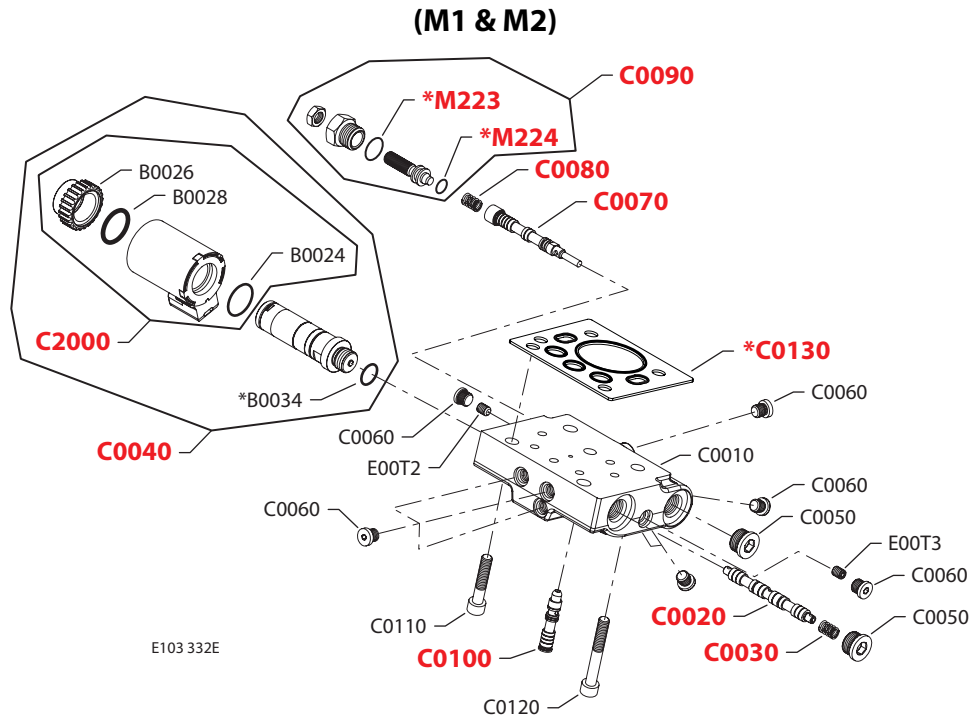
Enlarged **bold** type item numbers are recommended part to stock for servicing.


Servo pressure supply
Servo pressure supply

Order Code	Item	Date Begin	Date End	Part Number	Part Name	Qty. per Model/Kit	
KA	C0010	15-49		11026749	Control housing, proportional, PCOR	1	
	C0025	15-49		11000893	Shuttle valve assembly	1	
	C0050	15-49		140644	Plug assembly	2	
	C0060	15-49		11040532	Plug assembly	8	
	C0070	15-49		11026751	Spool	1	
	C0080	15-49		11067002	Spring	1	
	C0090	15-49		509360	Adjuster	1	
	C100	15-49		149041	Spool	1	
	C0110	15-49		710855	Screw, M8 x 35	2	
	C0120	15-49		746644 (9007314-0810)	Screw, M8 x 45	2	
	C0130	15-49		149040	Control seal	1	
	M223	15-49		085043 (9004201-3700)	O-ring	1	
	M224	15-49		732479 (9004105-0100)	O-ring	1	
	KH	C0010	15-48		11161283	Control housing, proportional, PCOR	1
		C0020	15-48		11151818	Spool	1
C0050		15-48		140644	Plug assembly	1	
C0060		15-48		11040532	Plug assembly	9	
C0070		15-48		11026751	Spool	1	
C0080		15-48		11067002	Spring	1	
C0090		15-48		509360	Adjuster	1	
C0100		15-48		149041	Spool	1	
C0110		15-48		710855	Screw, M8 x 35	2	
C0120		15-48		746644 (9007314-0810)	Screw, M8 x 45	2	
C0130		15-48		149040	Control seal	1	
C1400		15-48		11151817	Limiter plug	2	
M223		15-48		085043 (9004201-3700)	O-ring	1	
M224		15-48		732479 (9004105-0100)	O-ring	1	



Servo pressure supply



* = included in overhaul seal kit Q210

Enlarged **bold** type item numbers are recommended part to stock for servicing.



Servo pressure supply

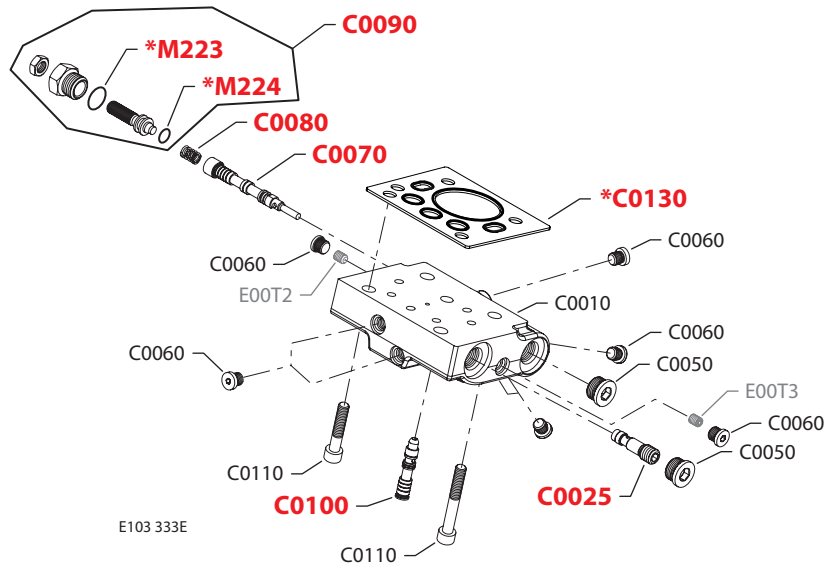
Servo pressure supply

Order Code	Item	Date Begin	Date End	Part Number	Part Name	Qty. per Model/Kit
M1	B0024	15-49		11031608	O-ring	1
	B0026	15-49		11027046	Coil nut	1
	B0028	15-49		063172	O-ring	1
	B0034	15-49		085043 (9004201-3700)	O-ring	1
	C0010	15-49		11028958	Control housing, proportional, PCOR	1
	C0020	15-49		11026792	Spool	1
	C0030	15-49		11067002	Spring	1
	C0040	15-49		11013615	Solenoid, on/off, 12 volt	1
	C0050	15-49		140644	Plug assembly	2
	C0060	15-49		11040532	Plug assembly	9
	C0070	15-49		11028957	Spool	1
	C0080	15-49		11067002	Spring	1
	C0090	15-49		509360	Adjuster	1
	C0100	15-49		149041	Spool	1
	C0110	15-49		710855	Screw, M8 x 35	2
	C0120	15-49		746644 (9007314-0810)	Screw, M8 x 45	2
	C0130	15-49		149040	Control seal	1
	C2000	15-49		11031763	Coil kit, 12 volt	1
	M223	15-49		085043 (9004201-3700)	O-ring	1
	M224	15-49		732479 (9004105-0100)	O-ring	1
M2	B0024	15-49		11031608	O-ring	1
	B0026	15-49		11027046	Coil nut	1
	B0028	15-49		063172	O-ring	1
	B0034	15-49		085043 (9004201-3700)	O-ring	1
	C0010	15-49		11028958	Control housing, proportional, PCOR	1
	C0020	15-49		11026792	Spool	1
	C0030	15-49		11067002	Spring	1
	C0040	15-49		11013616	Solenoid, on/off, 24 volt	1
	C0050	15-49		140644	Plug assembly	2
	C0060	15-49		11040532	Plug assembly	9
	C0070	15-49		11028957	Spool	1
	C0080	15-49		11067002	Spring	1
	C0090	15-49		509360	Adjuster	1
	C0100	15-49		149041	Spool	1
	C0110	15-49		710855	Screw, M8 x 35	2
	C0120	15-49		746644 (9007314-0810)	Screw, M8 x 45	2
	C0130	15-49		149040	Control seal	1
	C2000	15-49		11031764	Coil kit, 24 volt	1
	M223	15-49		085043 (9004201-3700)	O-ring	1
	M224	15-49		732479 (9004105-0100)	O-ring	1

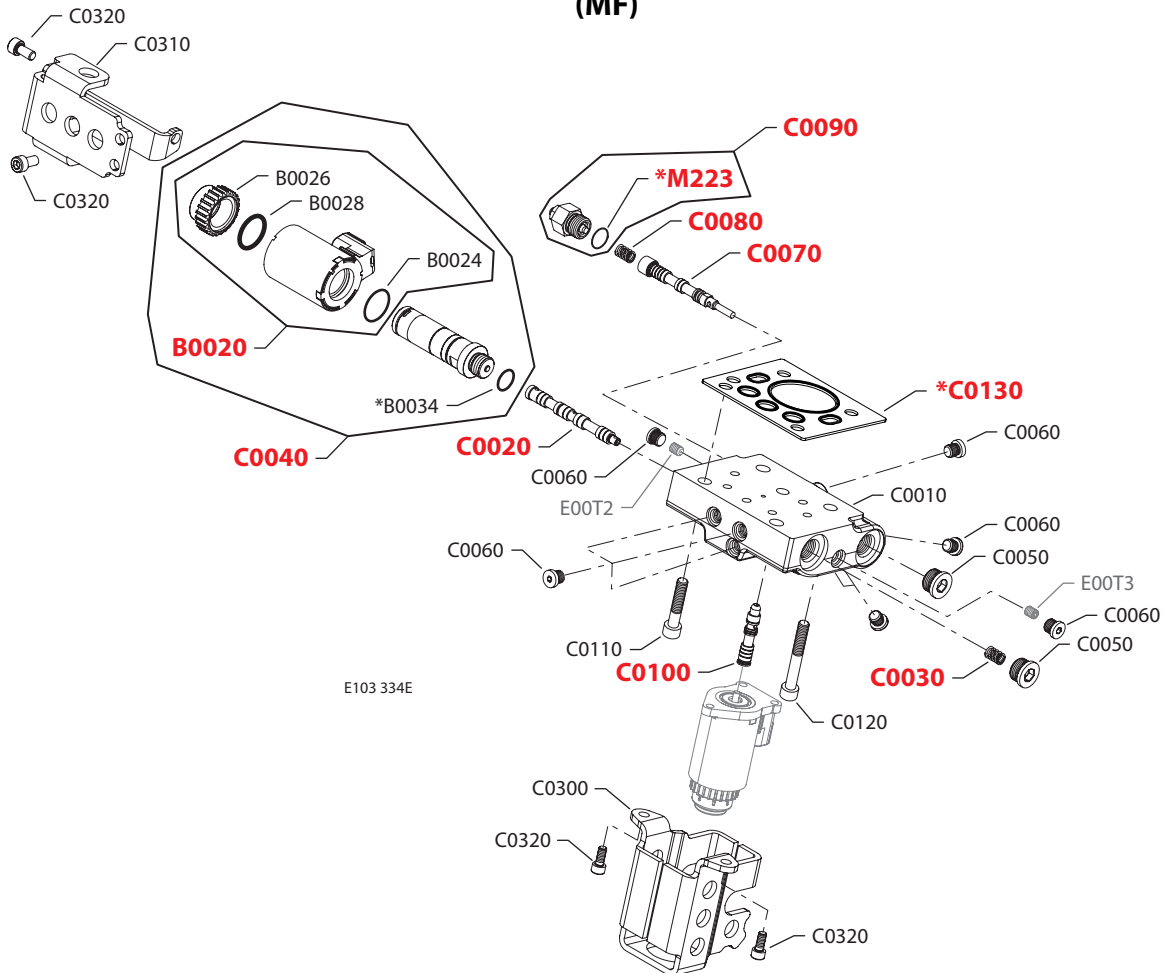


Servo pressure supply

(MA)



(MF)



* = included in overhaul seal kit Q210

Enlarged **bold** type item numbers are recommended part to stock for servicing.

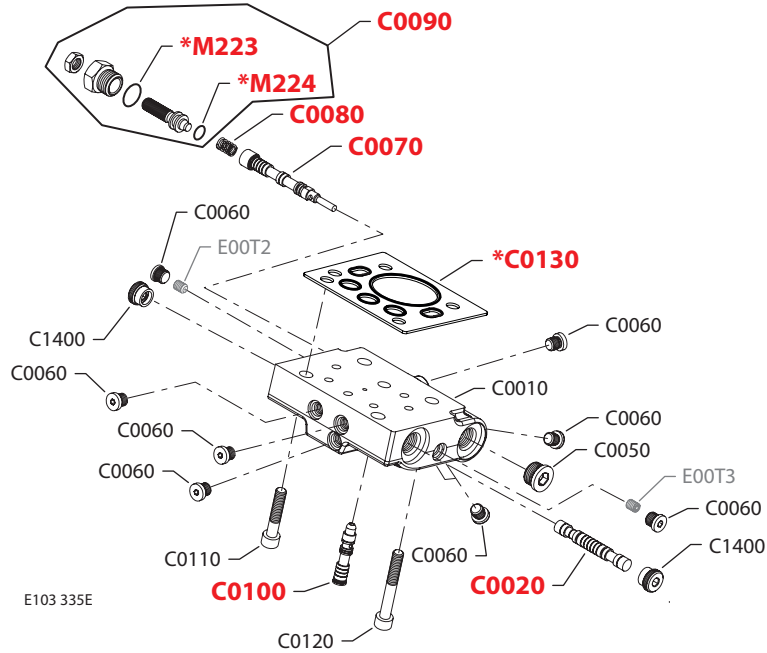

Servo pressure supply
Servo pressure supply

Order Code	Item	Date Begin	Date End	Part Number	Part Name	Qty. per Model/Kit
MA	C0010	15-49		11028959	Control housing, proportional, PCOR	1
	C0025	15-49		11000893	Spool	1
	C0050	15-49		140644	Plug assembly	2
	C0060	15-49		11040532	Plug assembly	8
	C0070	15-49		11028957	Spool	1
	C0080	15-49		11067002	Spring	1
	C0090	15-49		509360	Adjuster	1
	C0100	15-49		149041	Spool	1
	C0110	15-49		710855	Screw, M8 x 35	2
	C0120	15-49		746644 (9007314-0810)	Screw, M8 x 45	2
	C0130	15-49		149040	Control seal	1
	M223	15-49		085043 (9004201-3700)	O-ring	1
	M224	15-49		732479 (9004105-0100)	O-ring	1
	MF	B0020	15-49		11031763	Coil kit, 12 volt
B0024		15-49		11031608	O-ring	1
B0026		15-49		11027046	Coil nut	1
B0028		15-49		063172	O-ring	1
B0034		15-49		085043 (9004201-3700)	O-ring	1
C0010		15-49		11123556	Control housing, proportional, PCOR	1
C0020		15-49		11101616	Spool	1
C0030		15-49		11067002	Spring	1
C0040		15-49		11013615	Solenoid, on/off, 12 volt	1
C0050		15-49		140644	Plug assembly	2
C0060		15-49		11040532	Plug assembly	9
C0070		15-49		11028957	Spool	1
C0080		15-49		11067002	Spring	1
C0090		15-49		509360	Adjuster	1
C0100		15-49		149041	Spool	1
C0110		15-49		710855	Screw, M8 x 35	2
C0120		15-49		746644 (9007314-0810)	Screw, M8 x 45	2
C0130		15-49		149040	Control seal	1
C0300		15-49		11086158	Protective cover	1
C0310		15-49		11086159	Protective cover	1
C0320		15-49		395822	Screw, M6 x 12mm	4
M223		15-49		085043 (9004201-3700)	O-ring	1
M224		15-49		732479 (9004105-0100)	O-ring	1

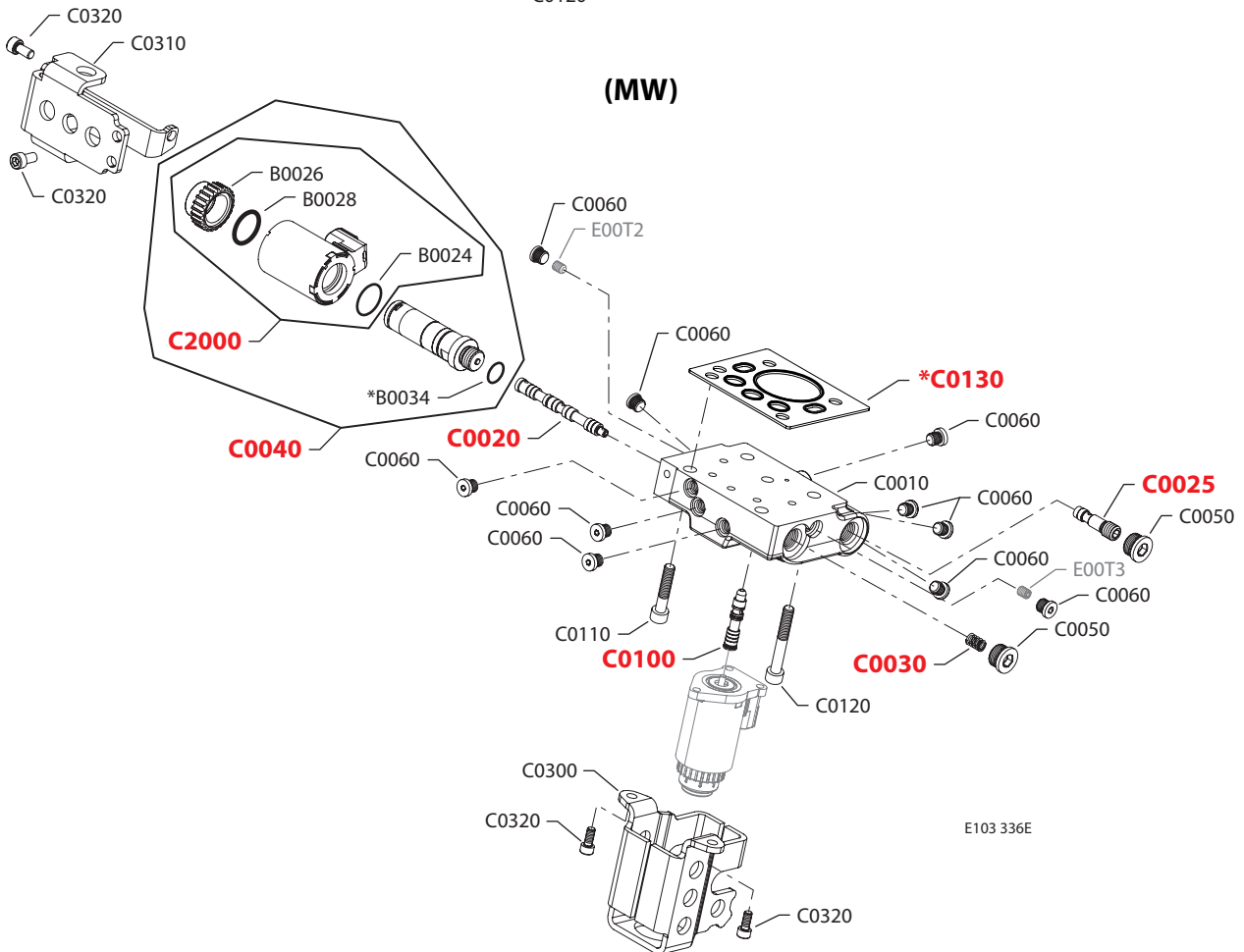


Servo pressure supply

(MH)



(MW)



* = included in overhaul seal kit Q210

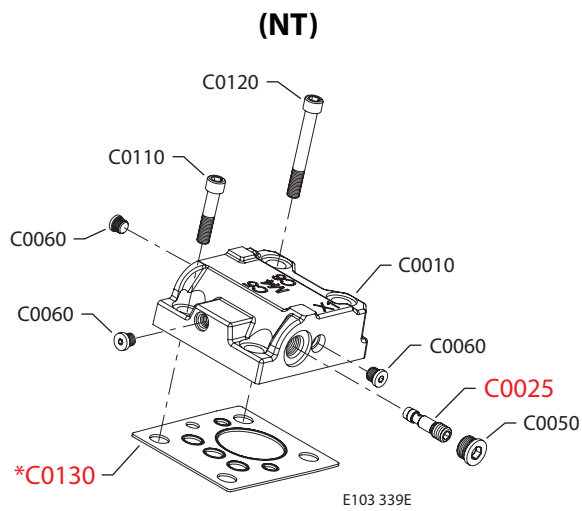
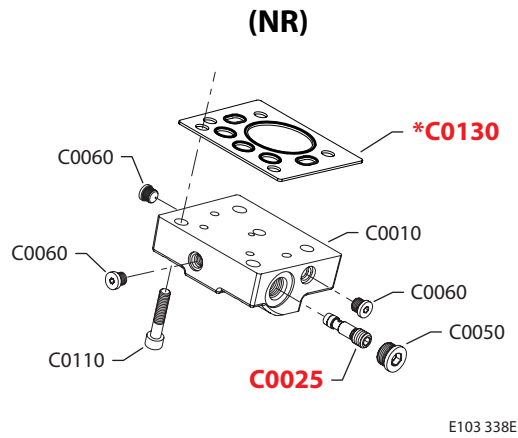
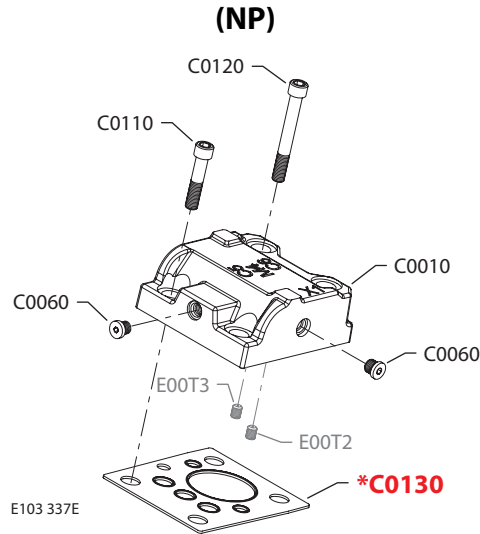
Enlarged **bold** type item numbers are recommended part to stock for servicing.


Servo pressure supply
Servo pressure supply

Order Code	Item	Date Begin	Date End	Part Number	Part Name	Qty. per Model/Kit
MH	C0010	15-49		11151816	Control housing, proportional, PCOR	1
	C0020	15-49		11151818	Spool	1
	C0050	15-49		140644	Plug assembly	1
	C0060	15-49		11040532	Plug assembly	9
	C0070	15-49		11028957	Spool	1
	C0080	15-49		11067002	Spring	1
	C0090	15-49		509360	Adjuster	1
	C0100	15-49		149041	Spool	1
	C0110	15-49		710855	Screw, M8 x 35	2
	C0120	15-49		746644 (9007314-0810)	Screw, M8 x 45	2
	C0130	15-49		149040	Control seal	1
	C1400	15-49		11151817	Limiter plug	2
	M223	15-49		085043 (9004201-3700)	O-ring	1
	M224	15-49		732479 (9004105-0100)	O-ring	1
MW	B0024	15-49		11031608	O-ring	1
	B0026	15-49		11027046	Coil nut	1
	B0028	15-49		063172	O-ring	1
	B0034	15-49		085043 (9004201-3700)	O-ring	1
	C0010	15-49		11101720	Control housing, proportional, PCOR	1
	C0020	15-49		11101616	Spool	1
	C0025	15-49		11000893	Shuttle valve assembly	1
	C0030	15-49		11067002	Spring	1
	C0040	15-49		11013615	Solenoid, on/off, 12 volt	1
	C0050	15-49		140644	Plug assembly	2
	C0060	15-49		11040532	Plug assembly	10
	C0100	15-49		149041	Spool	1
	C0110	15-49		710855	Screw, M8 x 35	2
	C0120	15-49		746644 (9007314-0810)	Screw, M8 x 45	2
	C0130	15-49		149040	Control seal	1
	C0300	15-49		11086158	Protective cover	1
	C0310	15-49		11086159	Protective cover	1
	C0320	15-49		395822	Screw, M6 x 12	4
	C2000	15-49		11031763	Coil kit, 12 volt	1



Servo pressure supply



* = included in overhaul seal kit Q210

Enlarged **bold** type item numbers are recommended part to stock for servicing.


Servo pressure supply
Servo pressure supply

Order Code	Item	Date Begin	Date End	Part Number	Part Name	Qty. per Model/Kit
NP	C0010	15-49		11086116	Control housing, 2-position	1
	C0050	15-49		140644	Plug assembly	1
	C0060	15-49		11040532	Plug assembly	2
	C0110	15-49		737866 (9007314-1207)	Screw, M12 x 30	2
	C0120	15-49		283325 (9007314-1211)	Screw, M12 x 50	2
	C0130	15-49		11016168	Control seal	1
	NR	C0010	15-49		11123843	Control housing, proportional
C0025		15-49		11000893	Shuttle valve	1
C0050		15-49		140644	Plug assembly	1
C0060		15-49		11040532	Plug assembly	3
C0110		15-49		710855	Screw, M8 x 35	2
C0130		15-49		149040	Control seal	1
C0170		15-49		716860	Screw, M5 x 12	1
NT		C0010	15-49		11123847	Control housing, 2-position
	C0025	15-49		11000893	Shuttle valve	1
	C0050	15-49		140644	Plug assembly	1
	C0060	15-49		11040532	Plug assembly	3
	C0110	15-49		737866 (9007314-1207)	Screw, M12 x 30	2
	C0120	15-49		283325 (9007314-1211)	Screw, M12 x 50	2
	C0130	15-49		11016168	Control seal	1



Orifice

(A, B, C & D)



See servo pressure supply
drawing for orifice location

E101 607E



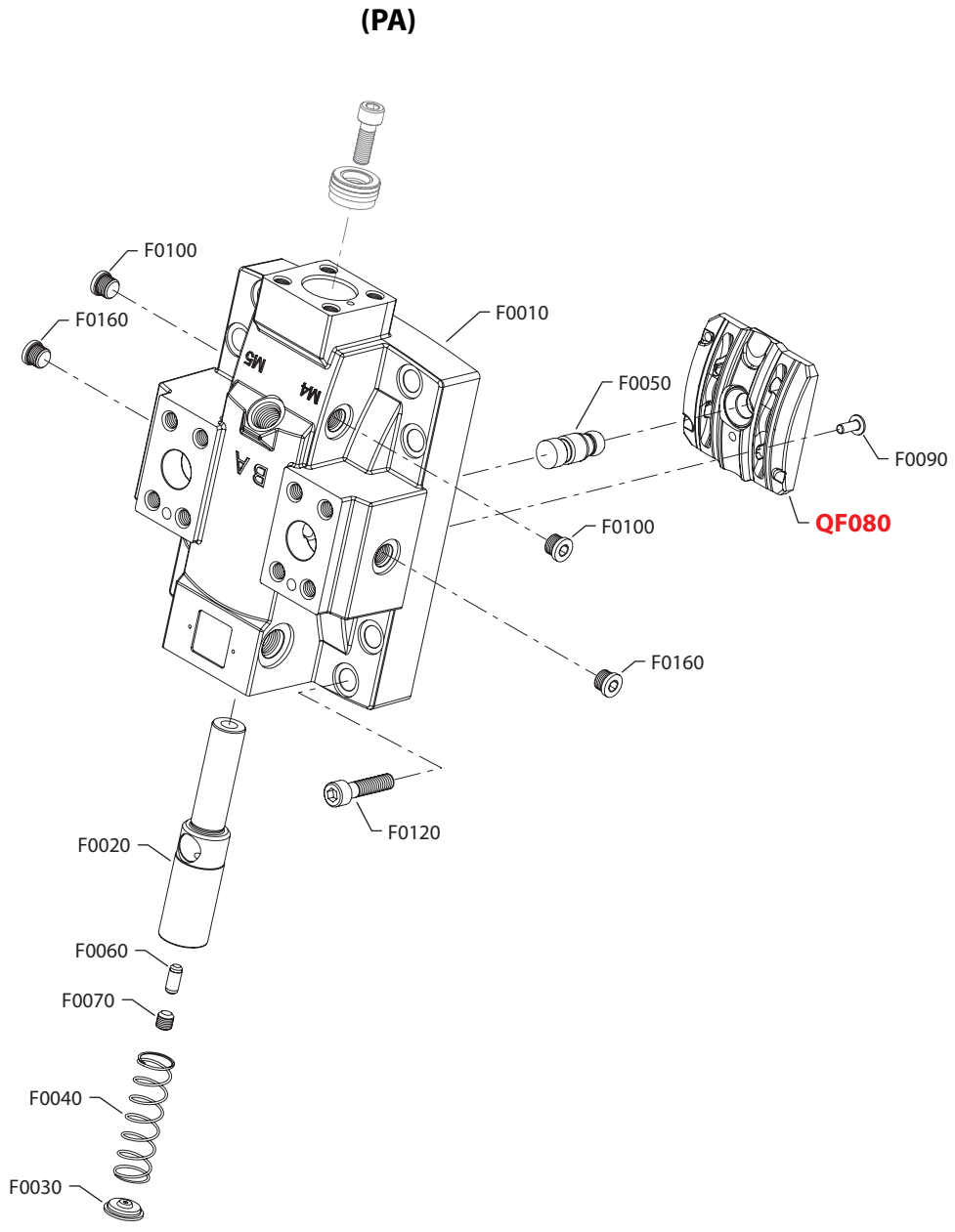
Orifice

Orifice

Order Code	Item	Date Begin	Date End	Part Number	Part Name	Qty. per Model/Kit
A	E00T2	15-49		516598	Orifice plug, 1.2 mm	1
	E00T3	15-49		516598	Orifice plug, 1.2 mm	1
B	E00T2	15-49		578542	Orifice plug, 0.8 mm	1
	E00T3	15-49		578542	Orifice plug, 0.8 mm	1
C	E00T2	15-49		511825	Orifice plug, 0.6 mm	1
	E00T3	15-49		511825	Orifice plug, 0.6 mm	1
D	E00T2	15-49		679316	Orifice plug, 0.5 mm	1
	E00T3	15-49		679316	Orifice plug, 0.5 mm	1
N				None		



End cap



* = included in overhaul seal kit Q210

E103 000E
 Enlarged **bold** type item numbers are recommended part to stock for servicing.

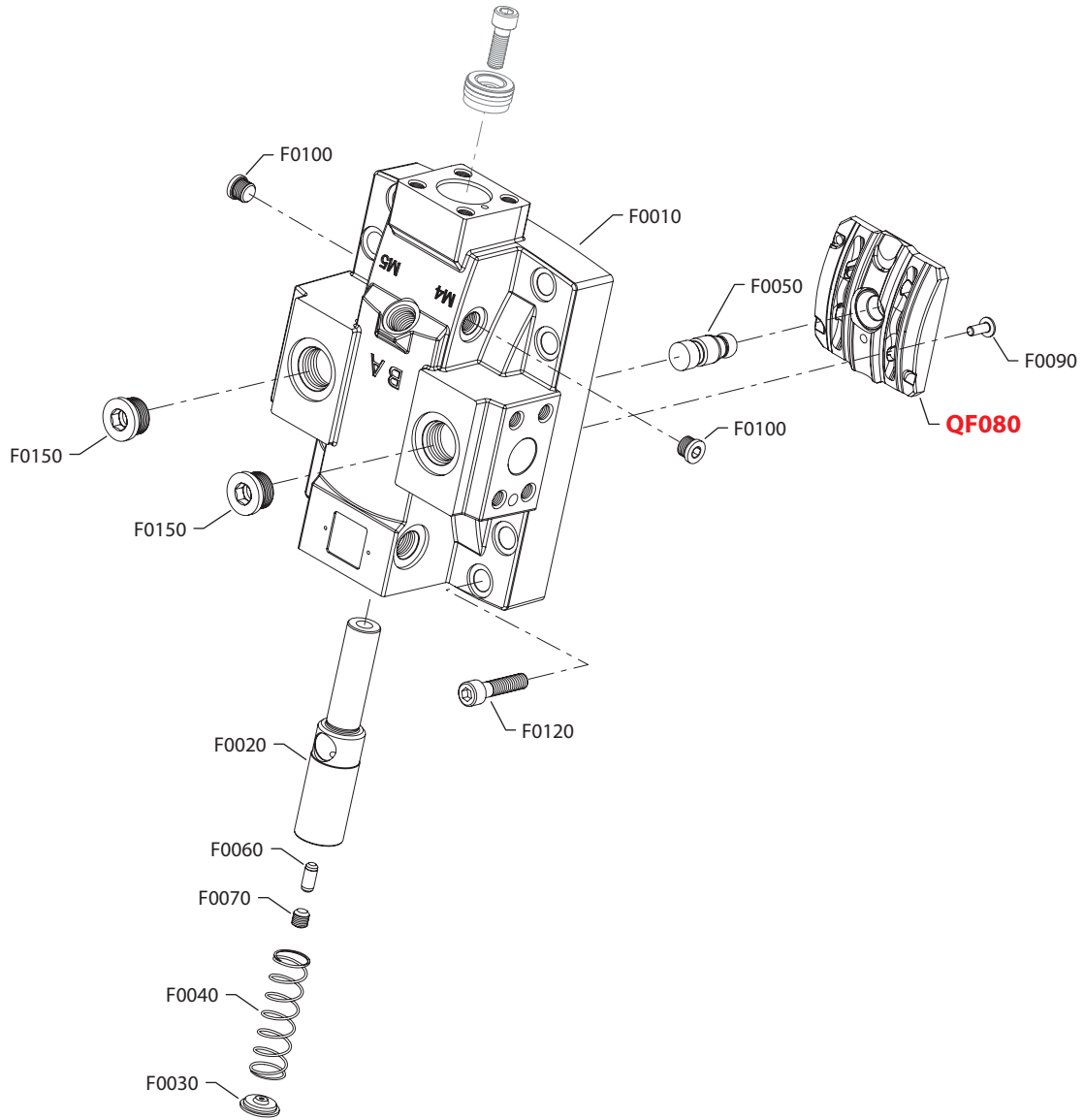

End cap
End cap

Order Code	Item	Date Begin	Date End	Part Number	Part Name	Qty. per Model/Kit
PA	F0010	15-49		11149879	End cap, axial ports	1
	F0020	15-49		11149628	Servo piston	1
	F0030	15-49		11149626	Spring guide	1
	F0040	15-49		11150689	Spring	1
	F0050	15-49		11149627	Setting lug	1
	F0060	15-49		11008915	Setting lug pin	1
	F0070	15-49		042465	Set screw, M10 x 10	1
	F0090	15-49		11014186	Button head screw	1
	F0100	15-49		140644	Plug assembly	2
	F0120	15-49		703900	Screw, M16 x 70	8
	F0160	15-49		140644	Plug assembly	2
	QF080	15-49		11149568	Valve segment assembly	1
PA, metric	F0010	15-49		11171560	End cap, axial ports, metric	1
	F0020	15-49		11149628	Servo piston	1
	F0030	15-49		11149626	Spring guide	1
	F0040	15-49		11150689	Spring	1
	F0050	15-49		11149627	Setting lug	1
	F0060	15-49		11008915	Setting lug pin	1
	F0070	15-49		042465	Set screw, M10 x 10	1
	F0090	15-49		11014186	Button head screw	1
	F0100	15-49		5000438	Plug assembly, M14	2
	F0120	15-49		703900	Screw, M16 x 70	8
	F0160	15-49		5000438	Plug assembly, M14	2
	QF080	15-49		11149568	Valve segment assembly	1



End cap

(PB)



E103 001E

* = included in overhaul seal kit Q210

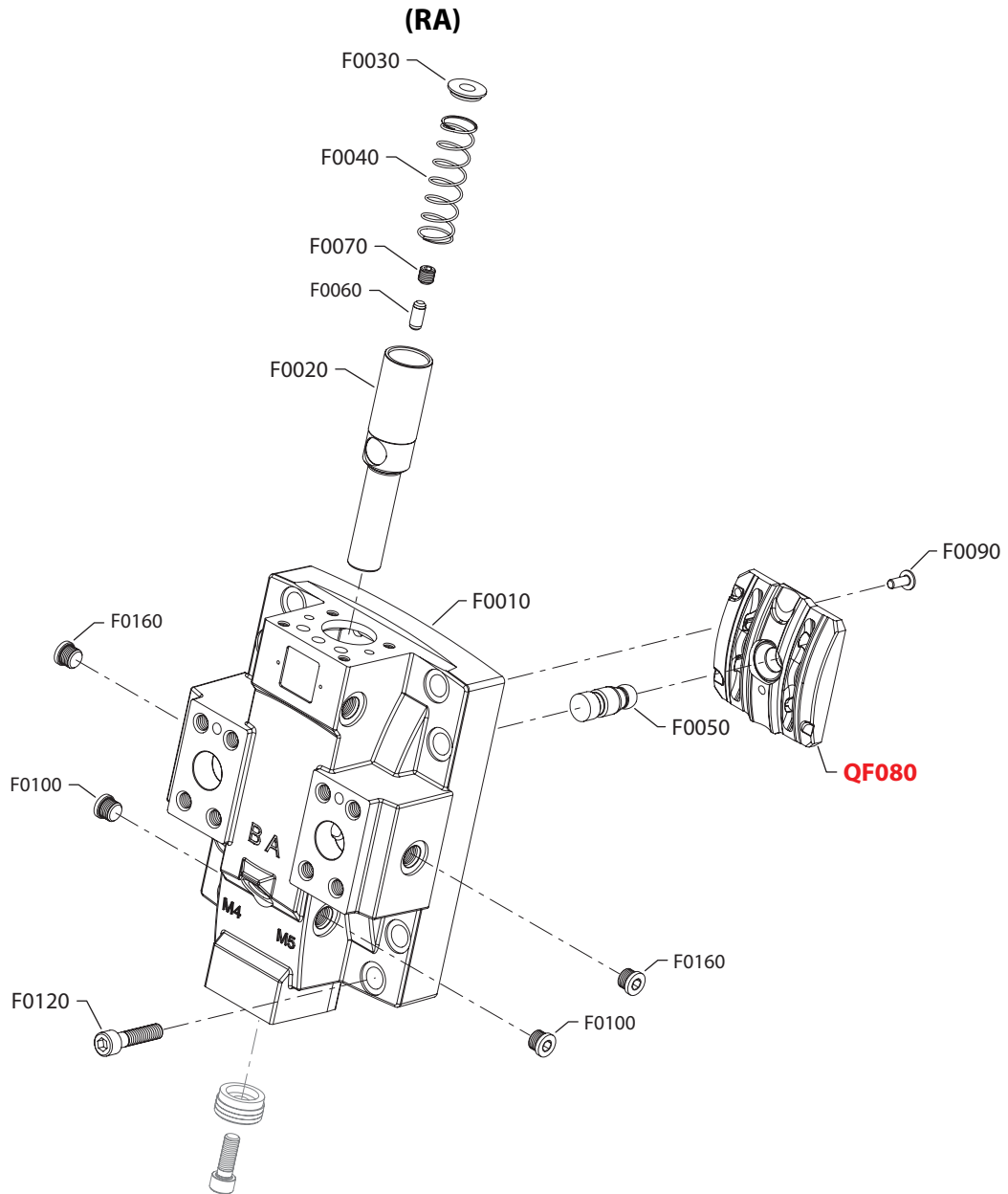
Enlarged **bold** type item numbers are recommended part to stock for servicing.


End cap
End cap

Order Code	Item	Date Begin	Date End	Part Number	Part Name	Qty. per Model/Kit
PB	F0010	15-49		11149880	End cap, side ports	1
	F0020	15-49		11149628	Servo piston	1
	F0030	15-49		11149626	Spring guide	1
	F0040	15-49		11150689	Spring	1
	F0050	15-49		11149627	Setting lug	1
	F0060	15-49		11008915	Setting lug pin	1
	F0070	15-49		042465	Set screw, M10 x 10	1
	F0090	15-49		11014186	Button head screw	1
	F0100	15-49		140644	Plug assembly	2
	F0120	15-49		703900	Screw, M16 x 70	8
	F0150	15-49		664524 (9005110-9000)	Plug assembly	2
	QF080	15-49		11149568	Valve segment assembly	1



End cap



E103 002E

* = included in overhaul seal kit Q210

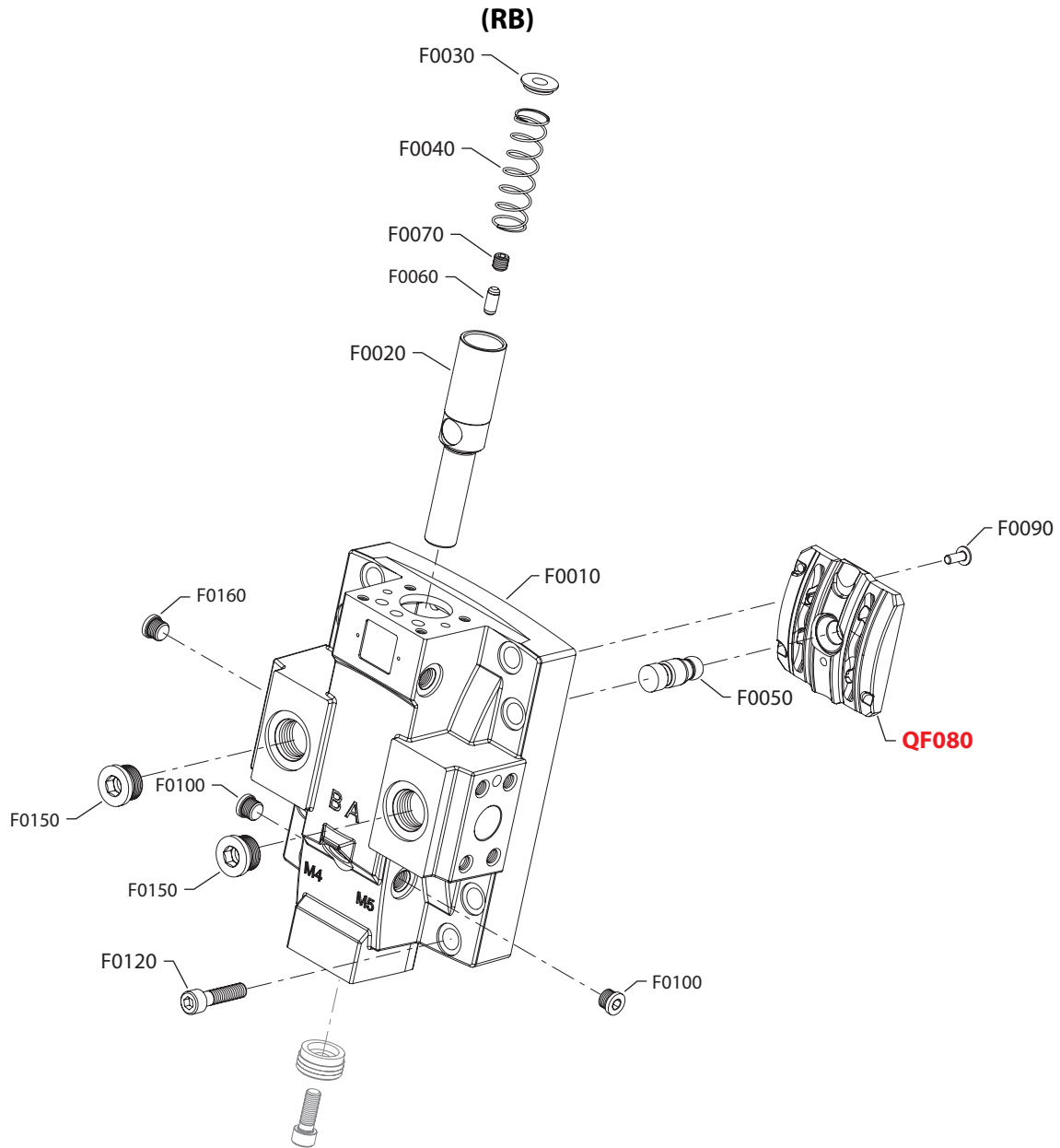
Enlarged **bold** type item numbers are recommended part to stock for servicing.


End cap
End cap

Order Code	Item	Date Begin	Date End	Part Number	Part Name	Qty. per Model/Kit
RA	F0010	15-49		11149879	End cap, axial ports	1
	F0020	15-49		11149628	Servo piston	1
	F0030	15-49		11149626	Spring guide	1
	F0040	15-49		11150689	Spring	1
	F0050	15-49		11149627	Setting lug	1
	F0060	15-49		11008915	Setting lug pin	1
	F0070	15-49		042465	Set screw, M10 x 10	1
	F0090	15-49		11014186	Button head screw	1
	F0100	15-49		140644	Plug assembly	2
	F0120	15-49		703900	Screw, M16 x 70	8
	F0160	15-49		140644	Plug assembly	2
	QF080	15-49		11149568	Valve segment assembly	1



End cap



E103 003E

* = included in overhaul seal kit Q210

Enlarged **bold** type item numbers are recommended part to stock for servicing.



End cap

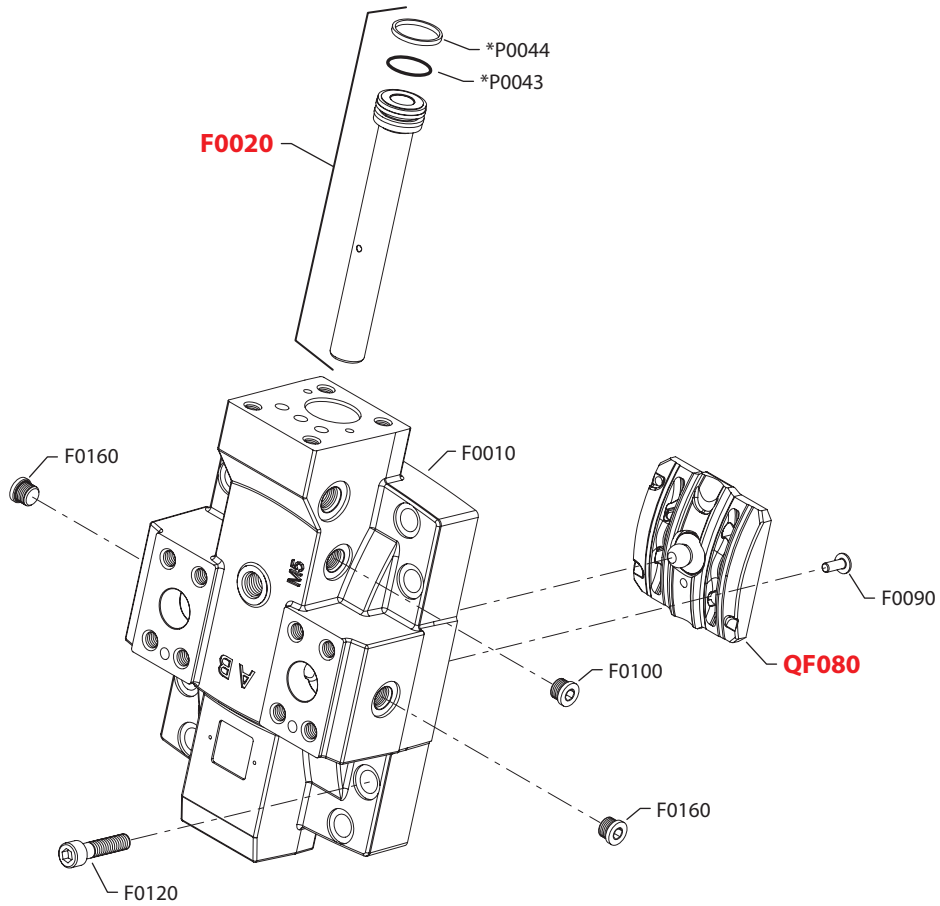
End cap

Order Code	Item	Date Begin	Date End	Part Number	Part Name	Qty. per Model/Kit
RB	F0010	15-49		11149880	End cap, side ports	1
	F0020	15-49		11149628	Servo piston	1
	F0030	15-49		11149626	Spring guide	1
	F0040	15-49		11150689	Spring	1
	F0050	15-49		11149627	Setting lug	1
	F0060	15-49		11008915	Setting lug pin	1
	F0070	15-49		042465	Set screw, M10 x 10	1
	F0090	15-49		11014186	Button head screw	1
	F0100	15-49		140644	Plug assembly	2
	F0120	15-49		703900	Screw, M16 x 70	8
	F0150	15-49		664524 (9005110-9000)	Plug assembly	2
	QF080	15-49		11149568	Valve segment assembly	1



End cap

(TA)



E103 004E

* = included in overhaul seal kit Q210

Enlarged **bold** type item numbers are recommended part to stock for servicing.



End cap

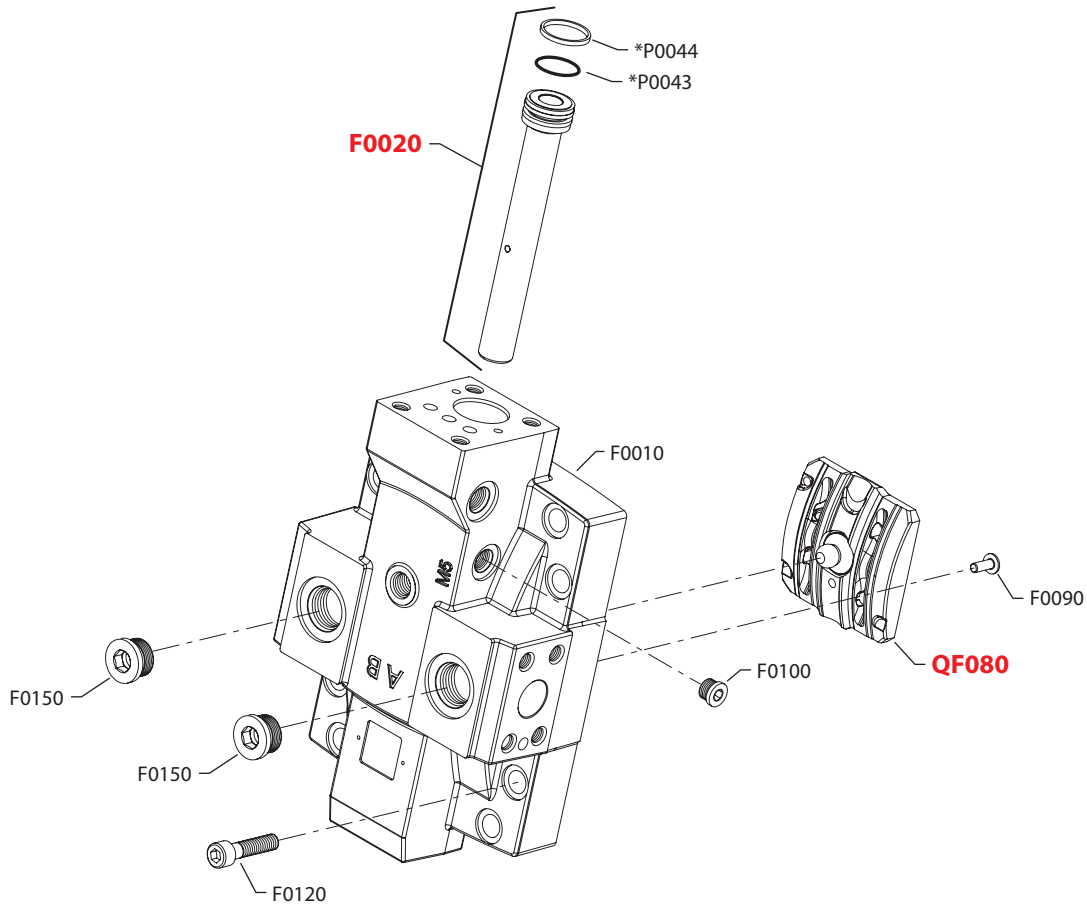
End cap

Order Code	Item	Date Begin	Date End	Part Number	Part Name	Qty. per Model/Kit
TA	F0010	15-49		11153159	End cap, axial ports	1
	F0020	15-49		11153150	Servo piston assembly	1
	F0090	15-49		11014186	Button head screw	1
	F0100	15-49		140644	Plug assembly	1
	F0120	15-49		703900	Screw, M16 x 70	8
	F0160	15-49		140644	Plug assembly	2
	P0043	15-49		11063016	O-ring	1
	P0044	15-49		11063013	Piston ring	1
	QF080	15-49		11153154	Valve segment assembly	1



End cap

(TB)



* = included in overhaul seal kit Q210

E103 005E

Enlarged **bold** type item numbers are recommended part to stock for servicing.

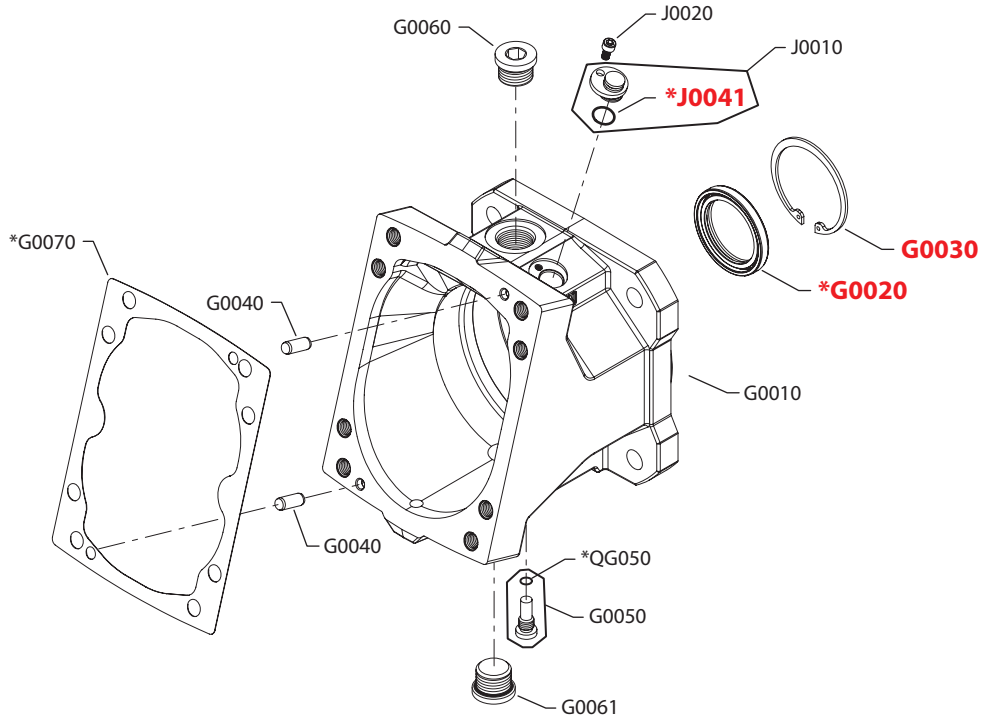

End cap
End cap

Order Code	Item	Date Begin	Date End	Part Number	Part Name	Qty. per Model/Kit
TB	F0010	15-49		11153167	End cap, side ports	1
	F0020	15-49		11153150	Servo piston assembly	1
	F0090	15-49		11014186	Button head screw	1
	F0100	15-49		140644	Plug assembly	1
	F0120	15-49		703900	Screw, M16 x 70	8
	F0150	15-49		664524 (9005110-9000)	Plug assembly	2
	P0043	15-49		11063016	O-ring	1
	P0044	15-49		11063013	Piston ring	1
	QF080	15-49		11153154	Valve segment assembly	1

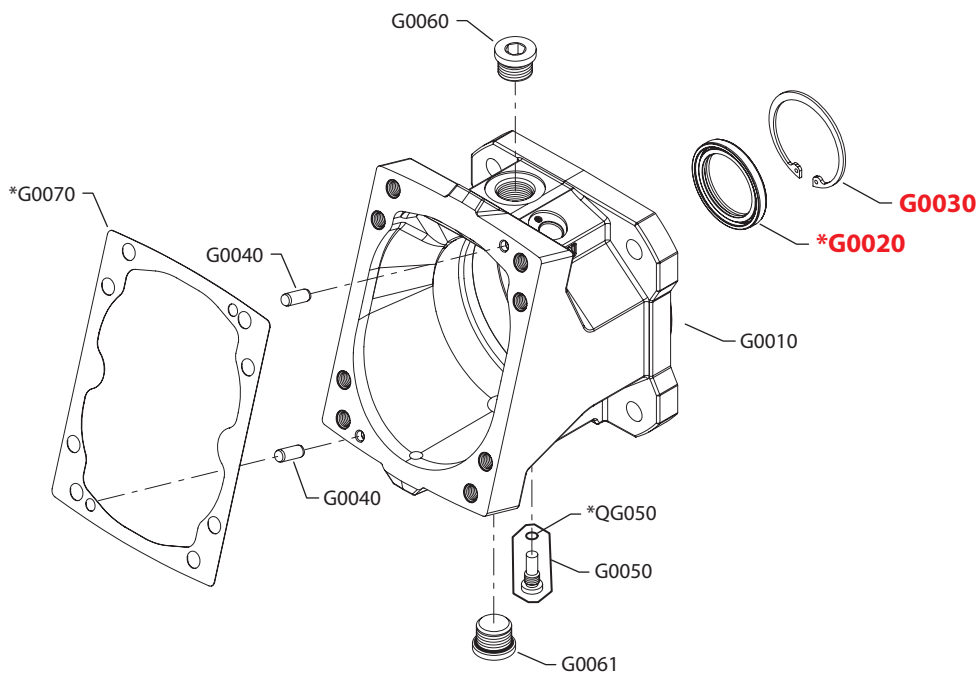


Flange/housing

(DN)



(DS & DW)



* = included in overhaul seal kit Q210

E103 427E

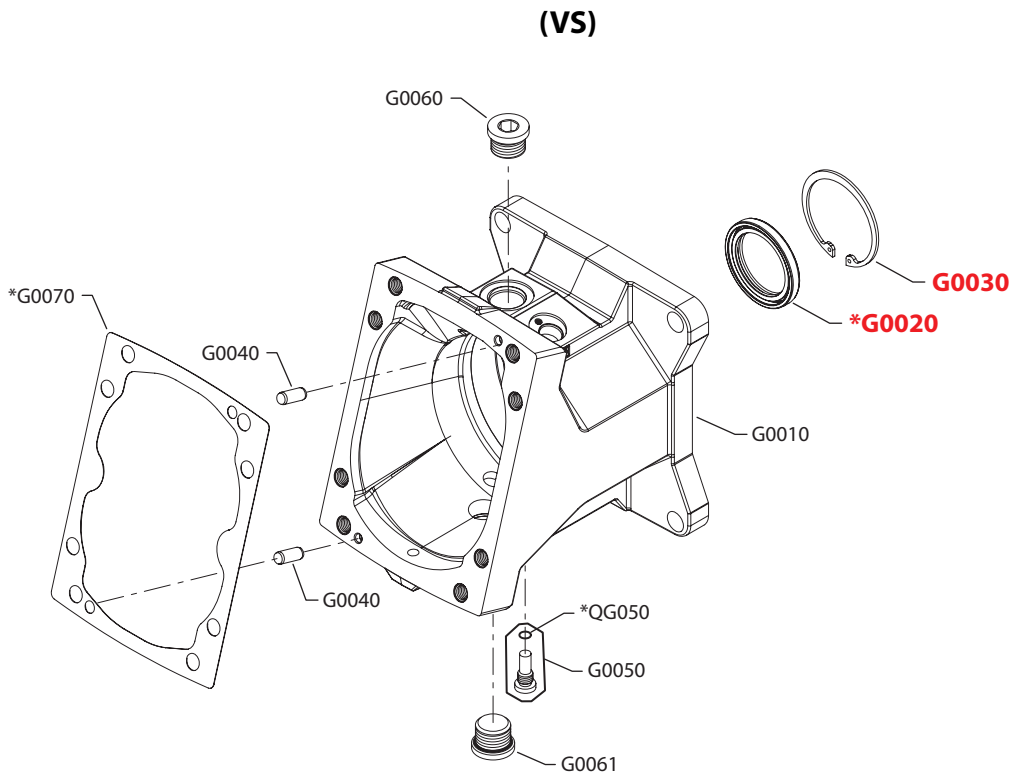
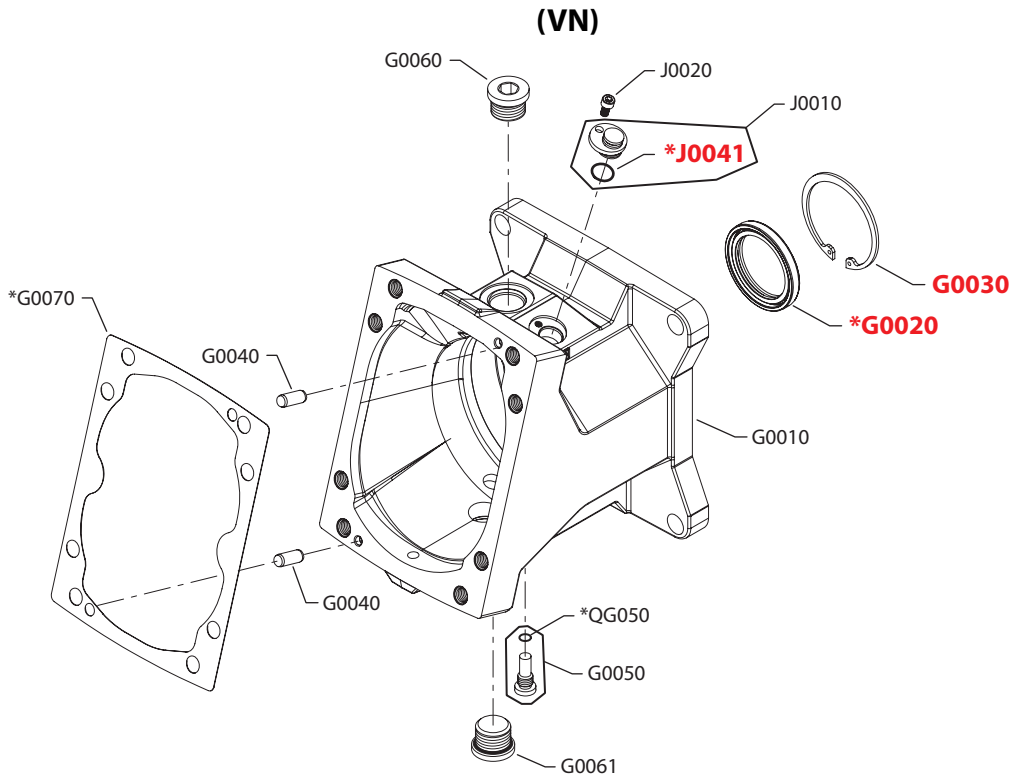
Enlarged **bold** type item numbers are recommended part to stock for servicing.


Flange/housing
DIN Flange/housing

Order Code	Item	Date Begin	Date End	Part Number	Part Name	Qty. per Model/Kit	
DN	G0010	15-49		11151611	Housing, DIN flange with speed sensor port	1	
	G0020	15-49		519022	Lip seal	1	
	G0030	15-49		392423	Retaining ring	1	
	G0040	15-49		11007677	Pin	2	
	G0050	15-49		11063948	Shaft locating plug assembly	1	
	G0060	15-49		320002 (9005110-9200)	Plug assembly	1	
	G0061	15-49		320002 (9005110-9200)	Plug assembly	1	
	G0070	15-49		11150696	Gasket	1	
	J0010	15-49		11013290	PPU plug assembly	1	
	J0020	15-49		395822 (9007315-0603)	Screw, M6 x 12	1	
	J0041	15-49		018499 (9004100-0160)	O-ring	1	
	QG050	15-49		001123 (9004201-2500)	O-ring	1	
	DS	G0010	15-49		11151611	Housing, DIN flange with speed sensor port	1
G0020		15-49		519022	Lip seal	1	
G0030		15-49		392423	Retaining ring	1	
G0040		15-49		11007677	Pin	2	
G0050		15-49		11063948	Shaft locating plug assembly	1	
G0060		15-49		320002 (9005110-9200)	Plug assembly	1	
G0061		15-49		320002 (9005110-9200)	Plug assembly	1	
G0070		15-49		11150696	Gasket	1	
QG050		15-49		001123 (9004201-2500)	O-ring	1	
DW		G0010	15-49		11164979	Housing, DIN D flange with speed sensor port	1
		G0020	15-49		519022	Lip seal	1
		G0030	15-49		392423	Retaining ring	1
		G0040	15-49		11007677	Pin	2
	G0050	15-49		11063948	Shaft locating plug assembly	1	
	G0060	15-49		320002 (9005110-9200)	Plug assembly	1	
	G0061	15-49		320002 (9005110-9200)	Plug assembly	1	
	G0070	15-49		11150696	Gasket	1	
	QG050	15-49		001123 (9004201-2500)	O-ring	1	



Flange/housing



E103 428E

* = included in overhaul seal kit Q210

Enlarged **bold** type item numbers are recommended part to stock for servicing.


Flange/housing
SAE Flange/housing

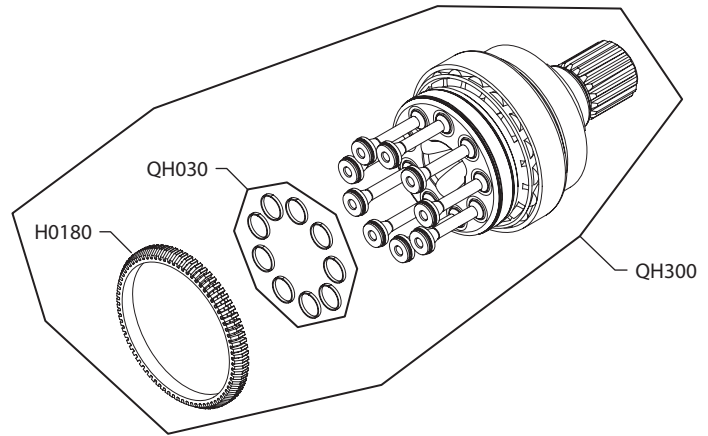
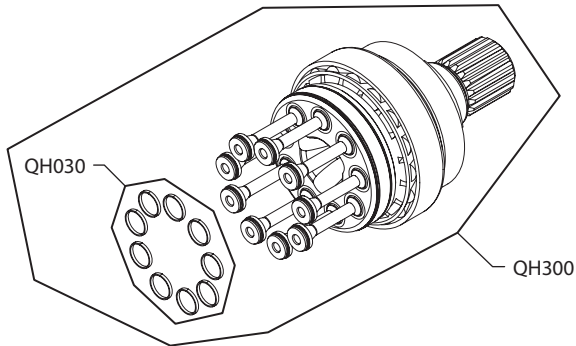
Order Code	Item	Date Begin	Date End	Part Number	Part Name	Qty. per Model/Kit
VN	G0010	15-49		11150692	Housing, SAE flange with speed sensor port	1
	G0020	15-49		519022	Lip seal	1
	G0030	15-49		392423	Retaining ring	1
	G0040	15-49		11007677	Pin	2
	G0050	15-49		11063948	Shaft locating plug assembly	1
	G0060	15-49		320002 (9005110-9200)	Plug assembly	1
	G0061	15-49		320002 (9005110-9200)	Plug assembly	1
	G0070	15-49		11150696	Gasket	1
	J0010	15-49		11013290	PPU plug assembly	1
	J0020	15-49		395822 (9007315-0603)	Screw, M6 x 12	1
	J0041	15-49		018499 (9004100-0160)	O-ring	1
	QG050	15-49		001123 (9004201-2500)	O-ring	1
VS	G0010	15-49		11150692	Housing, SAE flange with speed sensor port	1
	G0020	15-49		519022	Lip seal	1
	G0030	15-49		392423	Retaining ring	1
	G0040	15-49		11007677	Pin	2
	G0050	15-49		11063948	Shaft locating plug assembly	1
	G0060	15-49		320002 (9005110-9200)	Plug assembly	1
	G0061	15-49		320002 (9005110-9200)	Plug assembly	1
	G0070	15-49		11150696	Gasket	1
	QG050	15-49		001123 (9004201-2500)	O-ring	1



Shaft and speed sensing

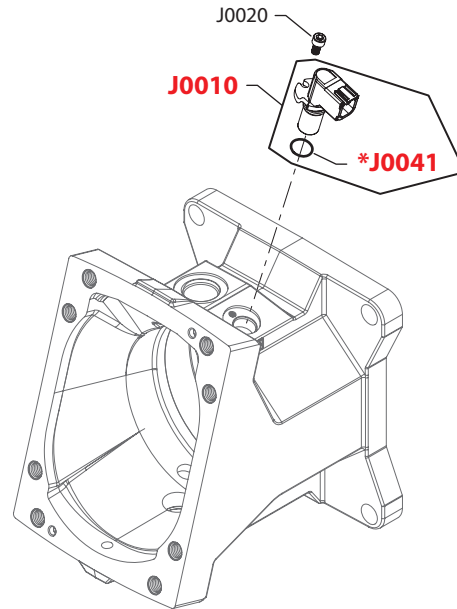
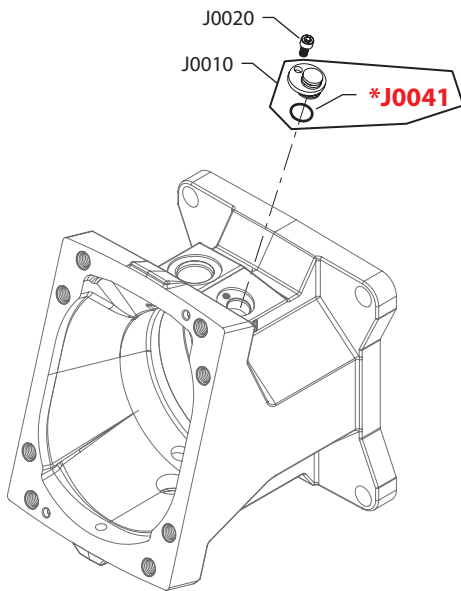
(DN, FN & LN)

(DS, FS & LS)



(P)

(B, C & S)



* = included in overhaul seal kit Q210

E101 989E

Enlarged **bold** type item numbers are recommended part to stock for servicing.


Shaft and speed sensing
Shaft

Order Code	Item	Date Begin	Date End	Part Number	Part Name	Qty. per Model/Kit
DN	QH030	15-49		11174677	Piston ring kit	1
	QH300	15-49		11154955	Shaft assembly, 27 tooth, 16/32 pitch	1
DS	H0180	15-49		11151088	Speed ring	1
	QH030	15-49		11174677	Piston ring kit	1
	QH300	15-49		11154956	Shaft assembly, 27 tooth, 16/32 pitch, speed ring	1
FN	QH030	15-49		11174677	Piston ring kit	1
	QH300	15-49		11154957	Shaft assembly, 15 tooth	1
FS	H0180	15-49		11151088	Speed ring	1
	QH030	15-49		11174677	Piston ring kit	1
	QH300	15-49		11154958	Shaft assembly, 15 tooth, speed ring	1
LN	QH030	15-49		11174677	Piston ring kit	1
	QH300	15-49		11154959	Shaft assembly, 24 tooth, DIN	1
LS	H0180	15-49		11151088	Speed ring	1
	QH030	15-49		11174677	Piston ring kit	1
	QH300	15-49		11154960	Shaft assembly, 24 tooth, DIN, speed ring	1

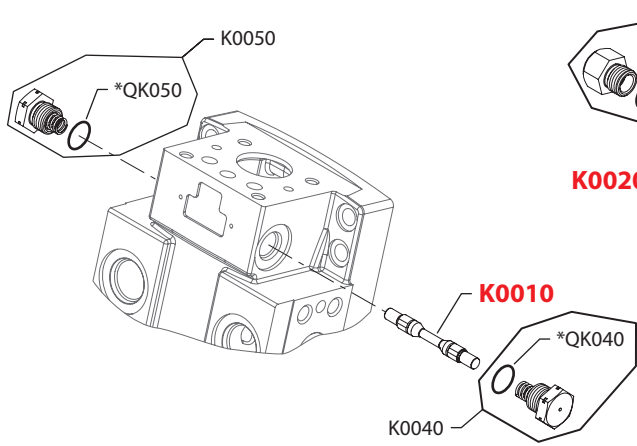
Speed sensing

B	J0010	15-49		11102032	Speed sensor assembly	1
	J0020	15-49		395822 (9007315-0603)	Screw, M6 x 12	1
	J0041	15-49		018499 (9004100-0160)	O-ring	1
C	J0010	15-49		11157520	Speed sensor assembly	1
	J0020	15-49		395822 (9007315-0603)	Screw, M6 x 12	1
	J0041	15-49		018499 (9004100-0160)	O-ring	1
N				None		
P	J0010	15-49		11013290	Plug assembly	1
	J0020	15-49		395822 (9007315-0603)	Screw, M6 x 12	1
	J0041	15-49		018499 (9004100-0160)	O-ring	1
S	J0010	15-49		149055	Speed sensor	1
	J0020	15-49		395822 (9007315-0603)	Screw, M6 x 12	1
	J0041	15-49		018499 (9004100-0160)	O-ring	1

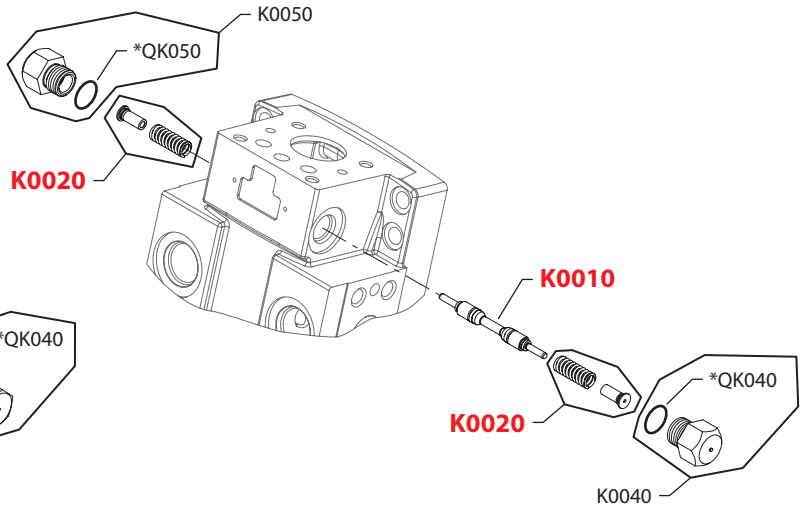


Loop flushing

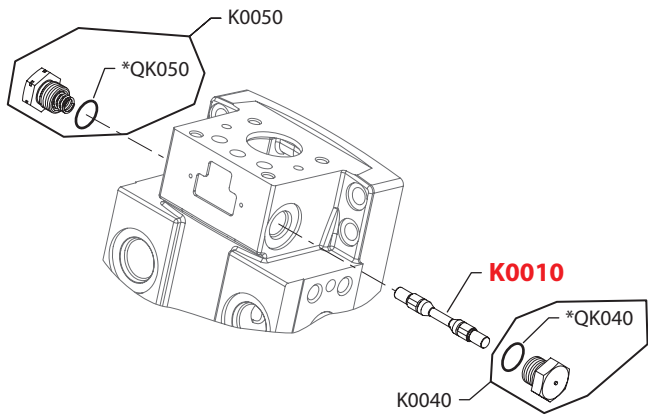
(A & N)



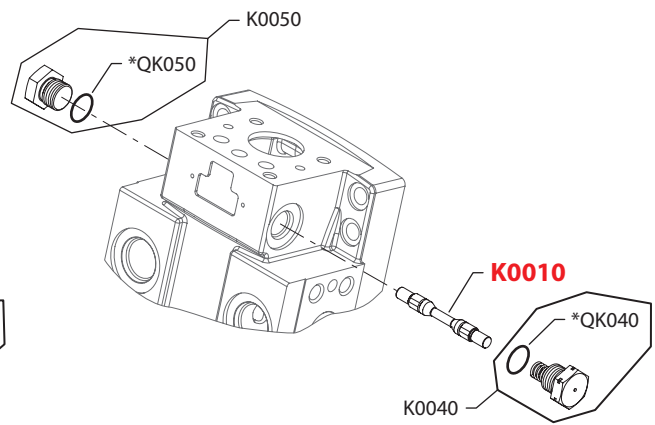
(B)



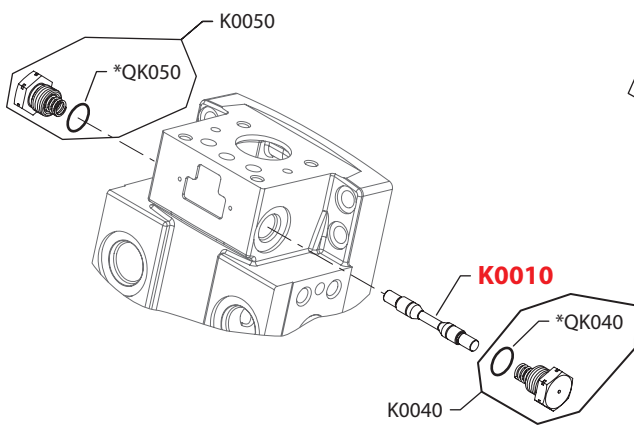
(C)



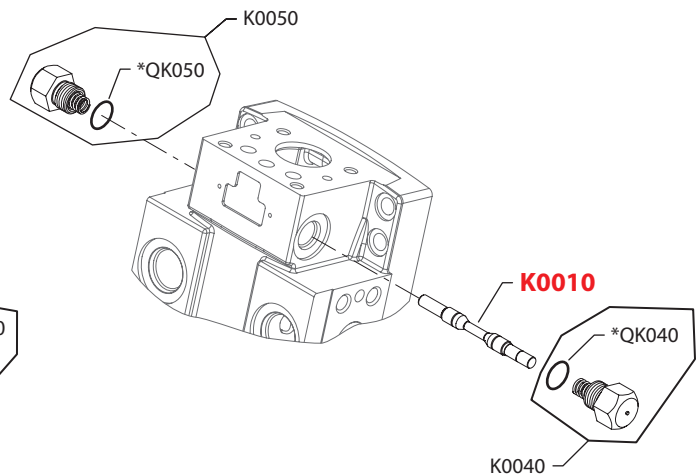
(D)



(E)



(F)



E103 351E

* = included in base motor seal kit Q210

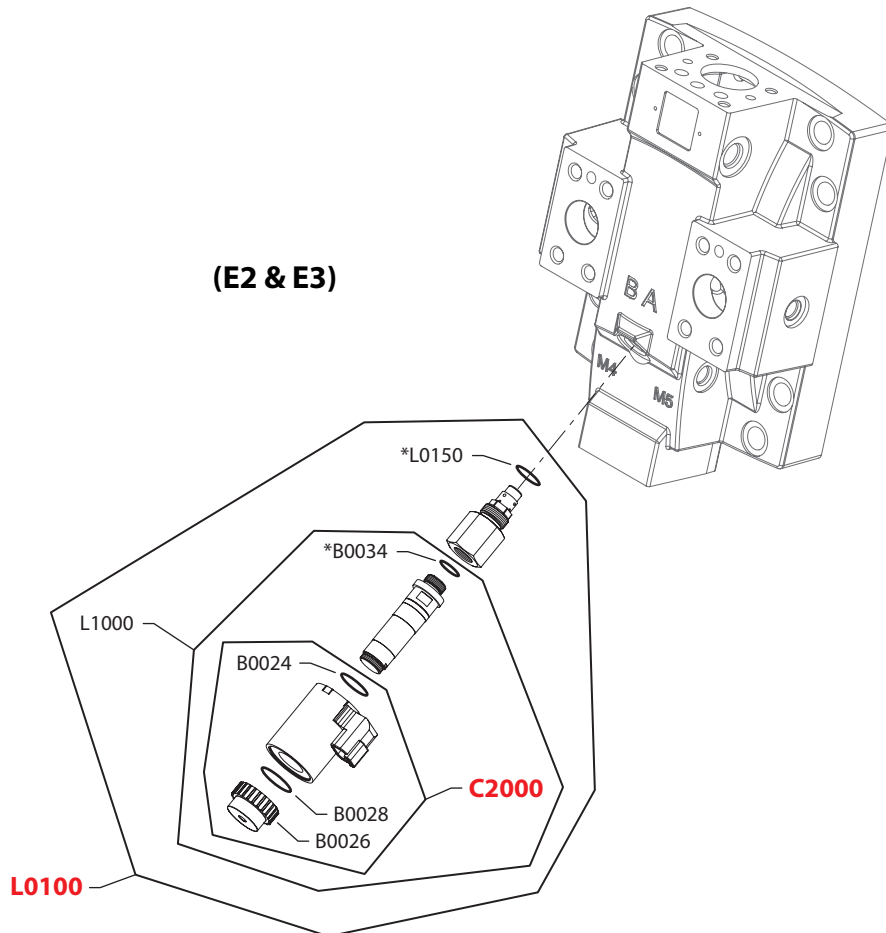
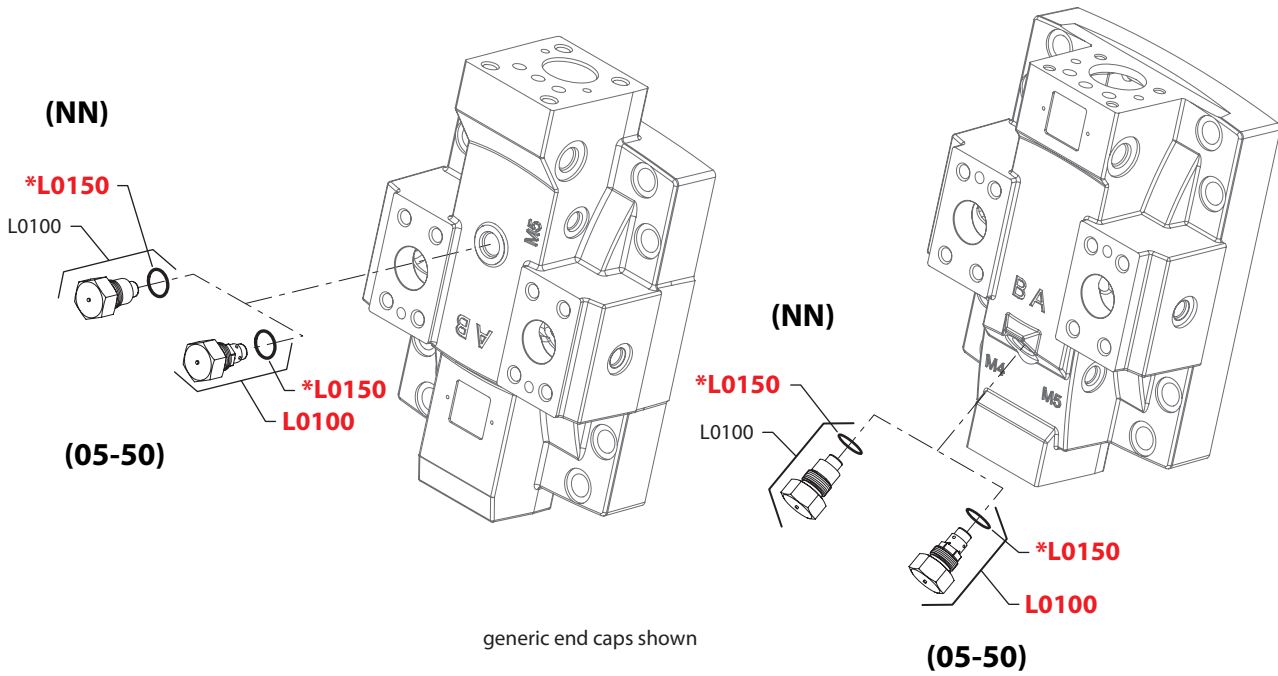
Enlarged **bold** type item numbers are recommended part to stock for servicing.


Loop flushing
Loop flushing shuttle system

Order Code	Item	Date Begin	Date End	Part Number	Part Name	Qty. per Model/Kit
A	K0010	15-49		11031106	Spool, dampened	1
	K0040	15-49		11160780	Loop flushing plug assembly, 6.5 bar	1
	K0050	15-49		11160780	Loop flushing plug assembly, 6.5 bar	1
	QK040	15-49		149052	O-ring	2
	QK050	15-49		149052	O-ring	2
B	K0010	15-49		11101037	Spool, 12.5 bar	1
	K0020	15-49		11101439	Spring/plug assembly, 12.5 bar	2
	K0040	15-49		11101035	Plug assembly, 12.5 bar	1
	K0050	15-49		11101035	Plug assembly, 12.5 bar	1
	QK040	15-49		149052	O-ring	1
	QK050	15-49		149052	O-ring	1
C	K0010	15-49		11031106	Spool	1
	K0040	15-49		11115123	Special plug assembly	1
	K0050	15-49		11160780	Loop flushing plug assembly, 6.5 bar	1
	QK040	15-49		149052	O-ring	1
	QK050	15-49		149052	O-ring	1
D	K0010	15-49		11031106	Spool	1
	K0040	15-49		11160780	Loop flushing plug assembly, 6.5 bar	1
	K0050	15-49		11115123	Special plug assembly	1
	QK040	15-49		149052	O-ring	1
	QK050	15-49		149052	O-ring	1
E	K0010	15-49		11157411	Spool, 6.5 bar	1
	K0040	15-49		11160780	Loop flushing plug assembly, 6.5 bar	1
	K0050	15-49		11160780	Loop flushing plug assembly, 6.5 bar	1
	QK040	15-49		149052	O-ring	2
	QK050	15-49		149052	O-ring	2
F	K0010	15-49		11157409	Spool	1
	K0040	15-49		11158323	Plug assembly, 12.5 bar	1
	K0050	15-49		11158323	Plug assembly, 12.5 bar	1
	QK040	15-49		149052	O-ring	1
	QK050	15-49		149052	O-ring	1
N	K0010	15-49		11031106	Spool	1
	K0040	15-49		11160780	Loop flushing plug assembly, 6.5 bar	1
	K0050	15-49		11160780	Loop flushing plug assembly, 6.5 bar	1
	QK040	15-49		149052	O-ring	2
	QK050	15-49		149052	O-ring	2



Loop flushing



* = included in overhaul seal kit Q210

E101 618E

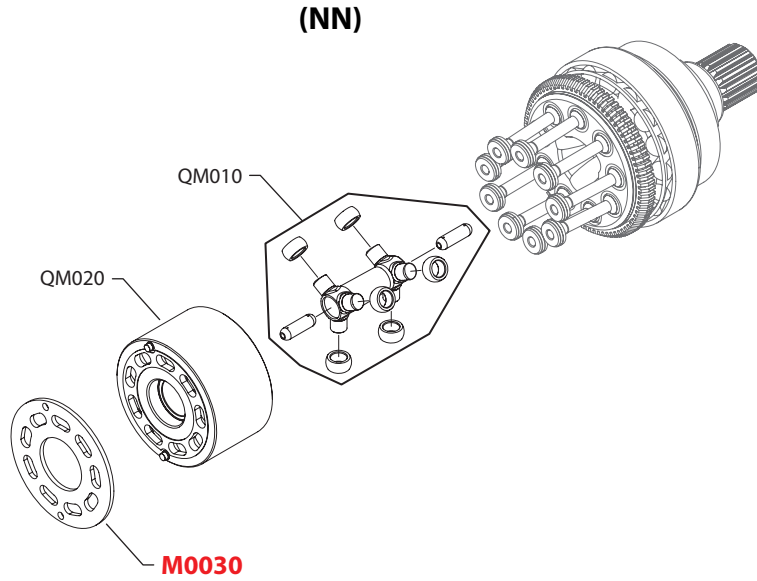
Enlarged **bold** type item numbers are recommended part to stock for servicing.


Loop flushing
Loop flushing relief valve

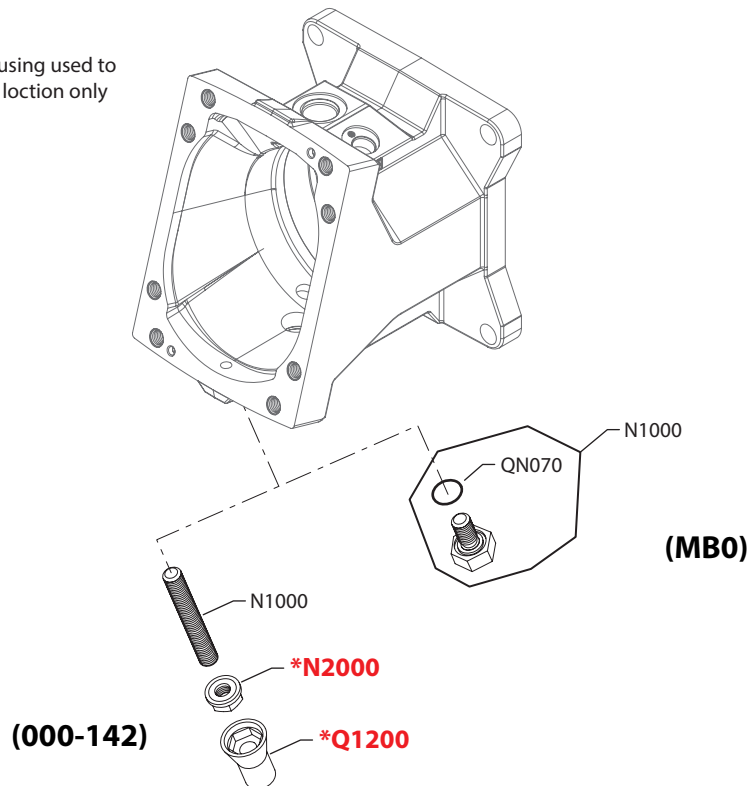
Order Code	Item	Date Begin	Date End	Part Number	Part Name	Qty. per Model/Kit
05	L0100	15-49		11008698	Loop flushing relief valve, 5L/min	1
	L0150	15-49		149052	O-ring	1
10	L0100	15-49		11003448	Loop flushing relief valve, 10L/min	1
	L0150	15-49		149052	O-ring	1
15	L0100	15-49		11003450	Loop flushing relief valve, 15L/min	1
	L0150	15-49		149052	O-ring	1
20	L0100	15-49		11001676	Loop flushing relief valve, 20L/min	1
	L0150	15-49		149052	O-ring	1
30	L0100	15-49		11008700	Loop flushing relief valve, 30L/min	1
	L0150	15-49		149052	O-ring	1
40	L0100	15-49		11008701	Loop flushing relief valve, 40L/min	1
	L0150	15-49		149052	O-ring	1
50	L0100	15-49		11001697	Loop flushing relief valve, 50L/min	1
	L0150	15-49		149052	O-ring	1
E2	B0024	15-49		11031608	O-ring	1
	B0026	15-49		11027046	Coil nut	1
	B0028	15-49		063172	O-ring	1
	B0034	15-49		085043 (9004201-3700)	O-ring	1
	C2000	15-49		11031763	Coil kit, 12v	1
	L0100	15-49		11096735	Loop flushing relief valve, 12v	1
	L0150	15-49		149052	O-ring	1
	L1000	15-49		11013615	Solenoid valve, 12v	1
E3	B0024	15-49		11031608	O-ring	1
	B0026	15-49		11027046	Coil nut	1
	B0028	15-49		063172	O-ring	1
	B0034	15-49		085043 (9004201-3700)	O-ring	1
	C2000	15-49		11031763	Coil kit, 12v	1
	L0100	15-49		11096736	Loop flushing relief valve, 12v	1
	L0150	15-49		149052	O-ring	1
	L1000	15-49		11013615	Solenoid valve, 12v	1
NN	L0100	15-49		11027278	Plug assembly	1
	L0150	15-49		149052	O-ring	1



Special hardware and minimum displacement



Generic housing used to show part location only



E103 429E

* = included in overhaul seal kit Q210

Enlarged **bold** type item numbers are recommended part to stock for servicing.


Special hardware and minimum displacement
Special hardware/common parts

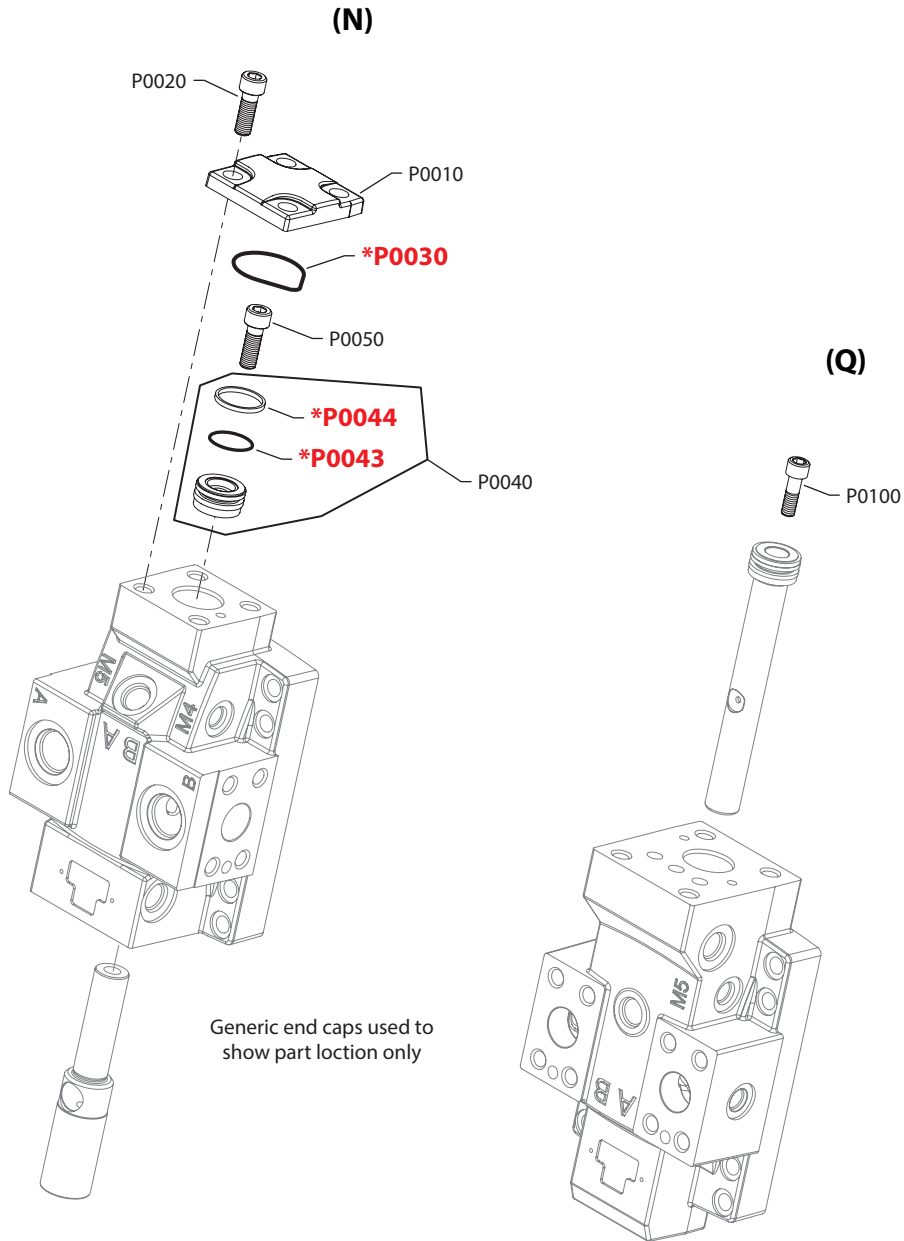
Order Code	Item	Date Begin	Date End	Part Number	Part Name	Qty. per Model/Kit
NN	QM010	15-49		11155000	Synch shaft assembly	1
	QM020	15-49		11154997	Cylinder block assembly	1
	M0030	15-49		11151730	Bearing plate	1

Minimum displacement

000-041	N1000	15-49		750646	Set screw, 0-41cc, M12 x 75	1
	N2000	15-49		076042	Seal nut, M12	1
	Q1200	15-49		770842	Plastic cap, green	1
042-090	N1000	15-49		749564	Set screw, 42-90cc, M12 x 90	1
	N2000	15-49		076042	Seal nut, M12	1
	Q1200	15-49		770842	Plastic cap, green	1
091-142	N1000	15-49		11152460	Set screw, 91-142cc, M12 x 105	1
	N2000	15-49		076042	Seal nut, M12	1
	Q1200	15-49		770842	Plastic cap, green	1
MBO	N1000	15-49		11161812	Seal plug assembly, M12	1
	QN070	15-49		11001952	O-ring	1



Maximum displacement



* = included in overhaul seal kit Q210

E103 430E

Enlarged **bold** type item numbers are recommended part to stock for servicing.


Maximum displacement and seal kit
Maximum displacement

Order Code	Item	Date Begin	Date End	Part Number	Part Name	Qty. per Model/Kit
N	P0010	15-49		11001110	Servo piston cover	1
	P0020	15-49		737866 (9007314-1207)	Screw, M12 x 30	4
	P0030	15-49		11050757	O-ring	1
	P0040	15-49		11062354	Servo piston assembly	1
	P0043	15-49		11063016	O-ring	1
	P0044	15-49		11063013	Piston ring	1
	P0050	15-49		11069403	Screw, M14 x 35	1
Q	P0100	15-49		293225	Screw, M10 x 30	1
Z				no parts		

Overhaul seal kit

	Q210	15-49		11172554	Overhaul seal kit, H1B210	1
	B0034	15-49		085043 (9004201-3700)	O-ring, 11.89 x 1.98, nitrile	2
	B0035	15-49		11001952	O-ring, 18.00 x 1.50, nitrile	1
	C0130	15-49		149040	Control seal	1
	C0130	15-49		11016168	Control seal, 2-position	1
	G0020	15-49		519022	Lip seal	1
	G0070	15-49		11150696	End cap gasket, H1B250	1
	J0041	15-49		018499 (9004100-0160)	O-ring, 15.60 x 1.78, nitrile	1
	L0150	15-49		149052	O-ring, 15.30 x 2.20, nitrile	1
	M223	15-49		085043 (9004201-3700)	O-ring, 11.89 x 1.98, nitrile	1
	M224	15-49		732479 (9004105-0100)	O-ring, 6.07 x 1.78, viton	1
	N2000	15-49		076042	Seal nut, M12	1
	P0030	15-49		11050757	O-ring, 47.00 x 3.00, nitrile	1
	P0043	15-49		11063016	O-ring, 26.64 x 2.62, nitrile	1
	P0044	15-49		11063013	Piston ring	1
	QC160	15-49		039297 (9004201-1200)	O-ring, 6.07 x 1.63, nitrile	1
	QG050	15-49		001123 (9004201-2500)	O-ring, 8.92 x 1.83, nitrile	1
	QK040	15-49		149052	O-ring, 15.30 x 2.20, nitrile	1
	QK050	15-49		149052	O-ring, 15.30 x 2.20, nitrile	1
	Q1200	15-49		770842	Plastic cap, green	1



Notes



Notes



Products we offer:

- Bent Axis Motors
- Closed Circuit Axial Piston Pumps and Motors
- Displays
- Electrohydraulic Power Steering
- Electrohydraulics
- Hydraulic Power Steering
- Integrated Systems
- Joysticks and Control Handles
- Microcontrollers and Software
- Open Circuit Axial Piston Pumps
- Orbital Motors
- PLUS+1® GUIDE
- Proportional Valves
- Sensors
- Steering
- Transit Mixer Drives

Danfoss Power Solutions is a global manufacturer and supplier of high-quality hydraulic and electronic components. We specialize in providing state-of-the-art technology and solutions that excel in the harsh operating conditions of the mobile off-highway market. Building on our extensive applications expertise, we work closely with our customers to ensure exceptional performance for a broad range of off-highway vehicles.

We help OEMs around the world speed up system development, reduce costs and bring vehicles to market faster.

Danfoss – Your Strongest Partner in Mobile Hydraulics.

Go to www.powersolutions.danfoss.com for further product information.

Wherever off-highway vehicles are at work, so is Danfoss.

We offer expert worldwide support for our customers, ensuring the best possible solutions for outstanding performance. And with an extensive network of Global Service Partners, we also provide comprehensive global service for all of our components.

Please contact the Danfoss Power Solution representative nearest you.

Comatrol

www.comatrol.com

Schwarzmueller-Inverter

www.schwarzmueller-inverter.com

Turolla

www.turollaocg.com

Valmova

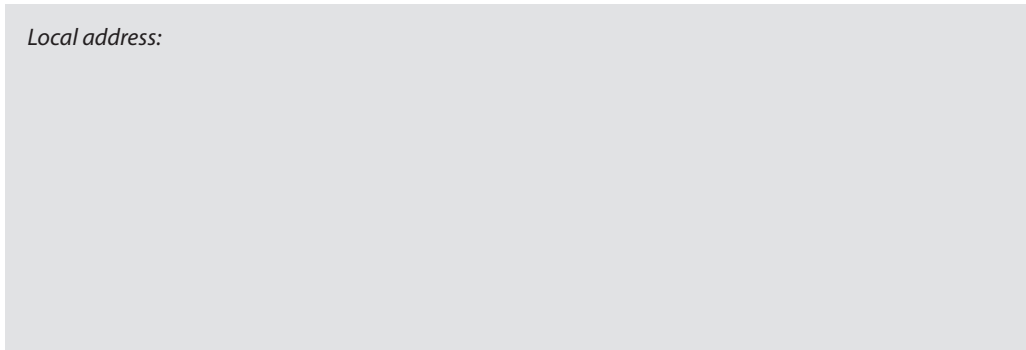
www.valmova.com

Hydro-Gear

www.hydro-gear.com

Daikin-Sauer-Danfoss

www.daikin-sauer-danfoss.com



Local address:

Danfoss Power Solutions US Company
2800 East 13th Street
Ames, IA 50010, USA
Phone: +1 515 239 6000

Danfoss Power Solutions GmbH & Co. OHG
Krokamp 35
D-24539 Neumünster, Germany
Phone: +49 4321 871 0

Danfoss Power Solutions ApS
Nordborgvej 81
DK-6430 Nordborg, Denmark
Phone: +45 7488 4444

Danfoss Power Solutions
Building #22, No. 1000 Jin Hai Rd
Jin Qiao, Pudong New District
Shanghai, China 201206
Phone: +86 21 3418 5200

Danfoss can accept no responsibility for possible errors in catalogues, brochures and other printed material. Danfoss reserves the right to alter its products without notice. This also applies to products already on order provided that such alterations can be made without subsequential changes being necessary in specifications already agreed. All trademarks in this material are property of the respective companies. Danfoss and the Danfoss logotype are trademarks of Danfoss A/S. All rights reserved.