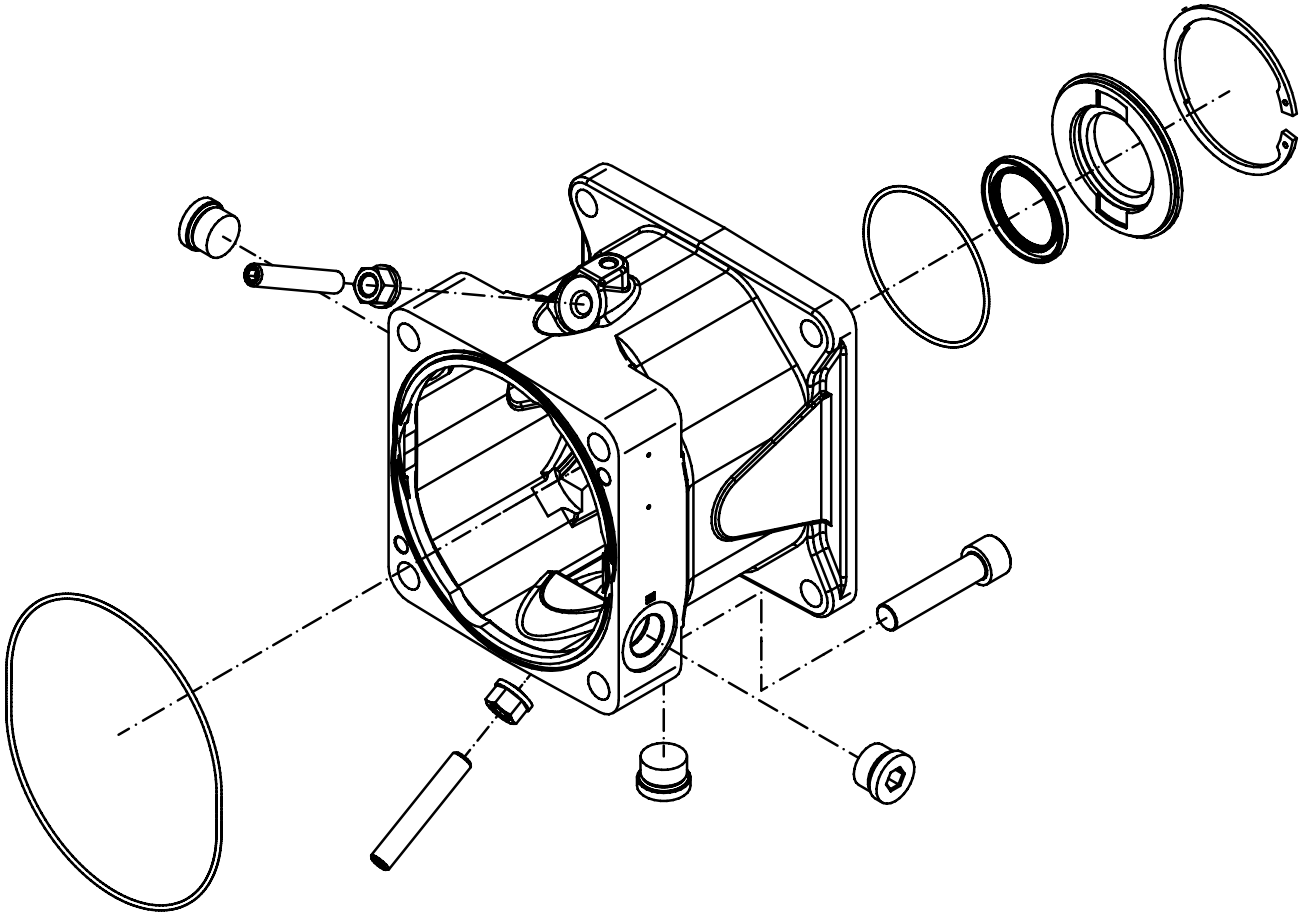


Parts Manual

D1 High Power Open Circuit Pump Size 193



**Version****History**

Table of Revisions

Date	Page	Changed	Rev.
March 2017		Fifth edition	0202
January 2017		- L1410531 was splitted to 3 parts manuals from last edition. <ul style="list-style-type: none"> • L1410531: Parts Manual for Size 145 • AX00000310: Parts Manual for Size 193 • AX00000311: Parts Manual for Size 260 - Updated all part numbers and drawings	0201
June 2016		Third edition - added Size 260	0102
Apr 2016		Converted to Danfoss layout	0101
Jul 2015		Second edition	AB
Jan 2015		First edition	AA



Contents

General Information	Service Parts Identification	4
	Nameplate	4
	Date Code	5
	Service Bulletins.....	5
	Procedure to Identify a Part.....	5
	Order Code	7
Variable Displacement Pump	Control Type	8-11
	Input Shaft	12-15
	Mounting Flange.....	16-17
	Endcap	18-19
	Auxiliary Mounting Flange	20-31
	Kit Group	32-33
	Name Tag.....	34-35
	Over Haul Seal Kit.....	35



General information

Service Parts identification

The following information and procedure is used to identify the module group, item number, manufacture date, part number, and part name of the parts included in the D1 193 cc variable displacement pump.

The parts listed include all parts which may be used when performing either "Minor Repairs", "Major Repairs" or "Conversions" on the D1 193 cc pump.

Nameplate

Each unit will have a nameplate affixed to the housing. The nameplate will include the following information.

Model Number

The Danfoss model number is used by the factory in manufacturing. On repeat orders, a complete unit can be ordered by the model number.

Model Code

The Danfoss model code completely defines the specific unit and must be used when ordering parts to service this product.

Serial Number

The Danfoss serial number is used to identify the manufacture date and the unit sequence in the build. The serial number is also used to identify the units warranty time period.

The letter code indicates the location of original manufacture (assembly). "H" indicates the unit was originally assembled in Haiyan, China.

The first number (2 digits) indicates the year of manufacture. ("14" would indicate the unit was manufactured in 2014).

The second number (2 digits) indicates the calendar week of manufacture.

The third number (5 digits) is a sequential number used to identify a specific unit.





General Information

Date Code

The date code is defined as the year and week of manufacture. The same item number may list more than one part number. This indicates that there is more than one configuration for that item number. You will see that there are different date codes for the different part numbers. Find the date code of your unit from the nameplate to determine which service part number you need to order.

Service Bulletins

A Service Bulletin Number (SB-____ - ____) may follow the “Part Name” of the part you desire. You must read that Service Bulletin prior to ordering that part. The information contained in these Service Bulletins, as of the print date of this bulletin, are included at the end of this manual. Service Bulletins contain more detailed information such as interchangeability, what additional parts are involved, etc. It is suggested that you add additional Service Bulletins to this manual as you receive them.

Procedure to Identify a Part

General

The modular design of D1 units results in a simplified service parts list and part number identification procedure.

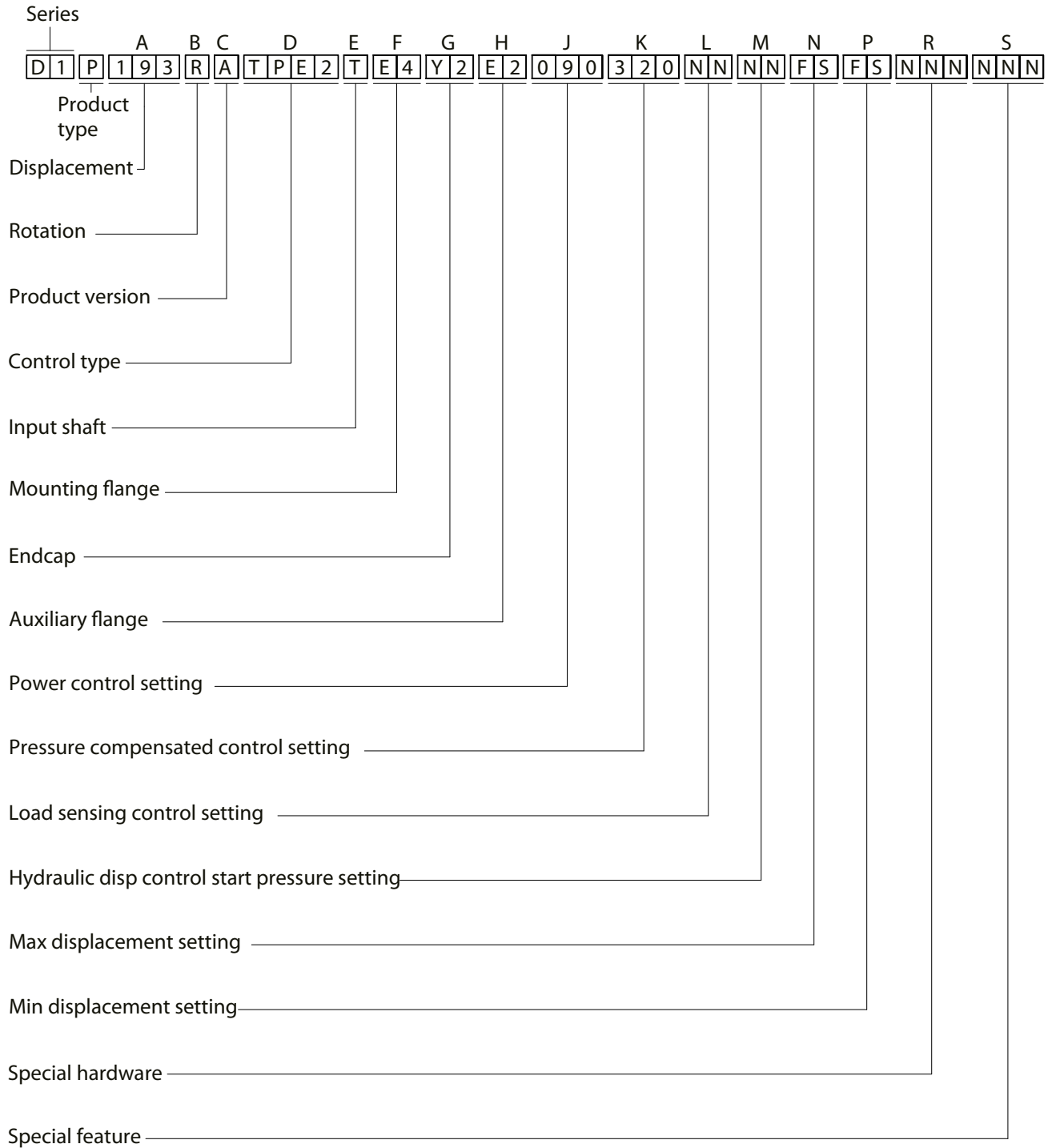
The same item numbers are used for same part names on all units within a product type. (Example: The shaft - Item E100 has the same item number on all pumps.)



Notes

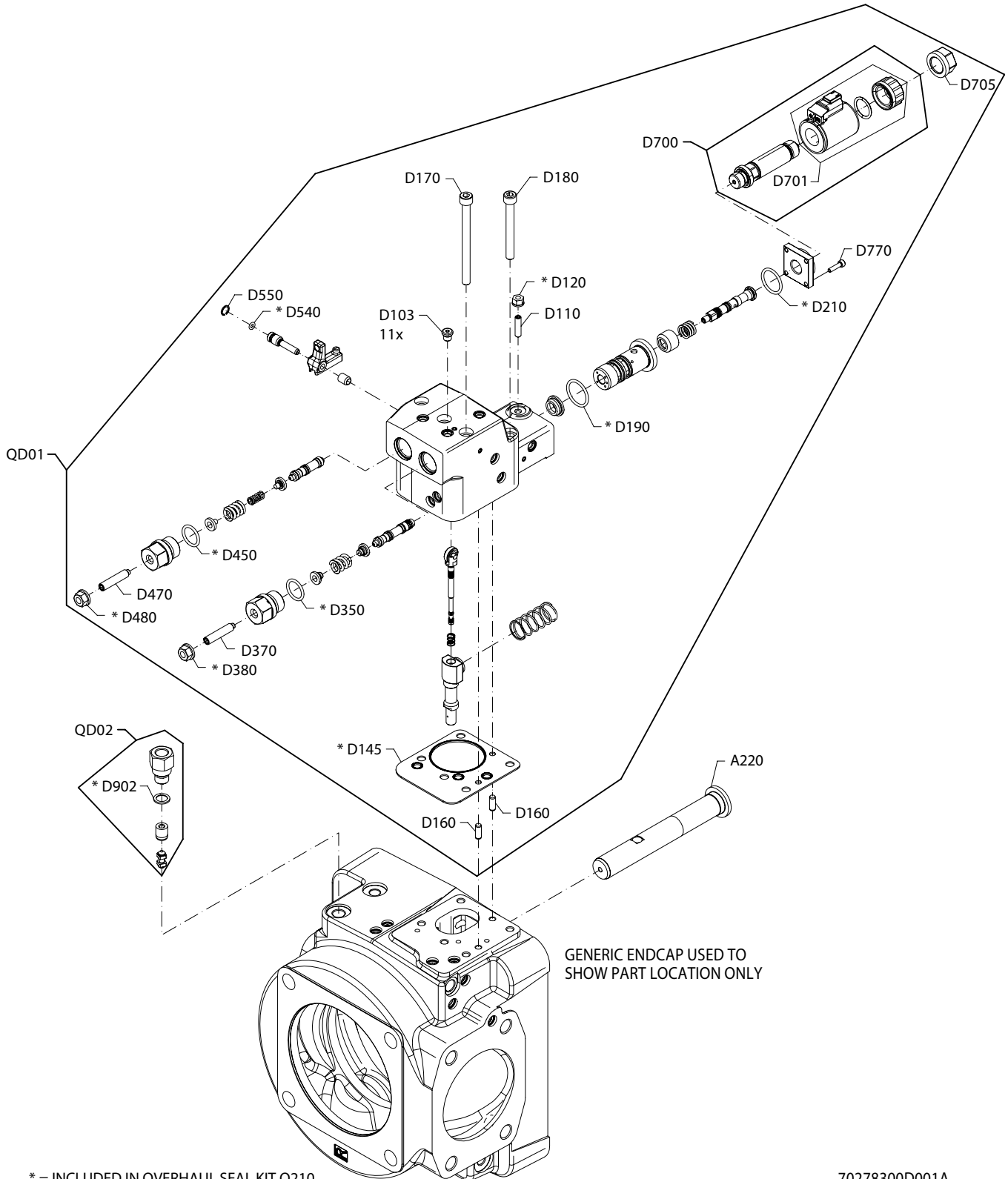


Order Code



Control Type

TPE2



* = INCLUDED IN OVERHAUL SEAL KIT Q210

70278300D001A



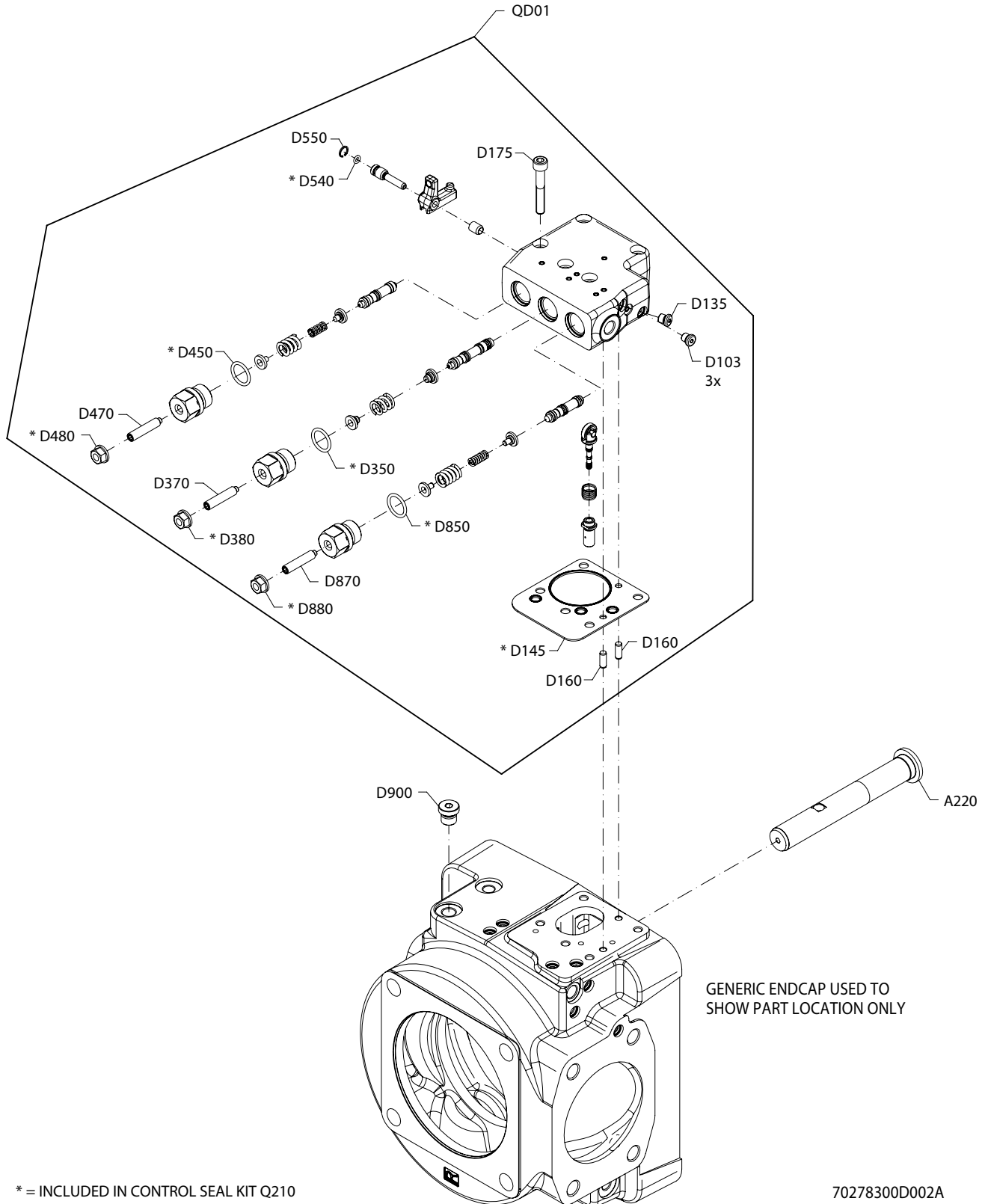
Control Type

TPE2

Order Code	Item	Date Begin	Date End	Part Number	Part Name	Qty. per Model/Kit
TPE2	D110	16-01		11126005	SCREW-SOC	1
	D120	16-01		9003509-0006	NUT-HEX SEAL	1
	D145	16-01		11168710	SEAL	1
	D160	16-01		11130807	PIN-DOWEL	2
	D170	16-01		11125762	SCREW-SOC	3
	D180	16-01		11128407	SCREW-SOC	2
	D190	16-01		9004104-1200	O-RING	1
	D210	16-01		11130945	O-RING	1
	D350	16-01		9004104-1160	O-RING	1
	D370	16-01		11167267	SCREW-SOC	1
	D380	16-01		612291	NUT-HEX SEAL	1
	D450	16-01		9004104-1160	O-RING	1
	D470	16-01		11167267	SCREW-SOC	1
	D480	16-01		612291	SEAL-LOCK NUT	1
	D540	16-01		9004104-0100	O-RING	1
	D550	16-01		11130806	RETAINER RING	1
	D700	16-01		11146859	SOLENOID	1
	D701	16-01		11189731	COIL, ASSY	1
	D705	16-01		11155340	CAP-SOLENOID	1
	D902	16-01		11135346	SEAL	1
A220	16-01		11124670	PISTON-BIAS	1	
QD01	16-01		11180172	SVC KIT-CONTROL	1	
QD02	16-01		11153191	SVC KIT-SHUTTLE VALVE	1	

Control Type

TPSN



* = INCLUDED IN CONTROL SEAL KIT Q210

70278300D002A



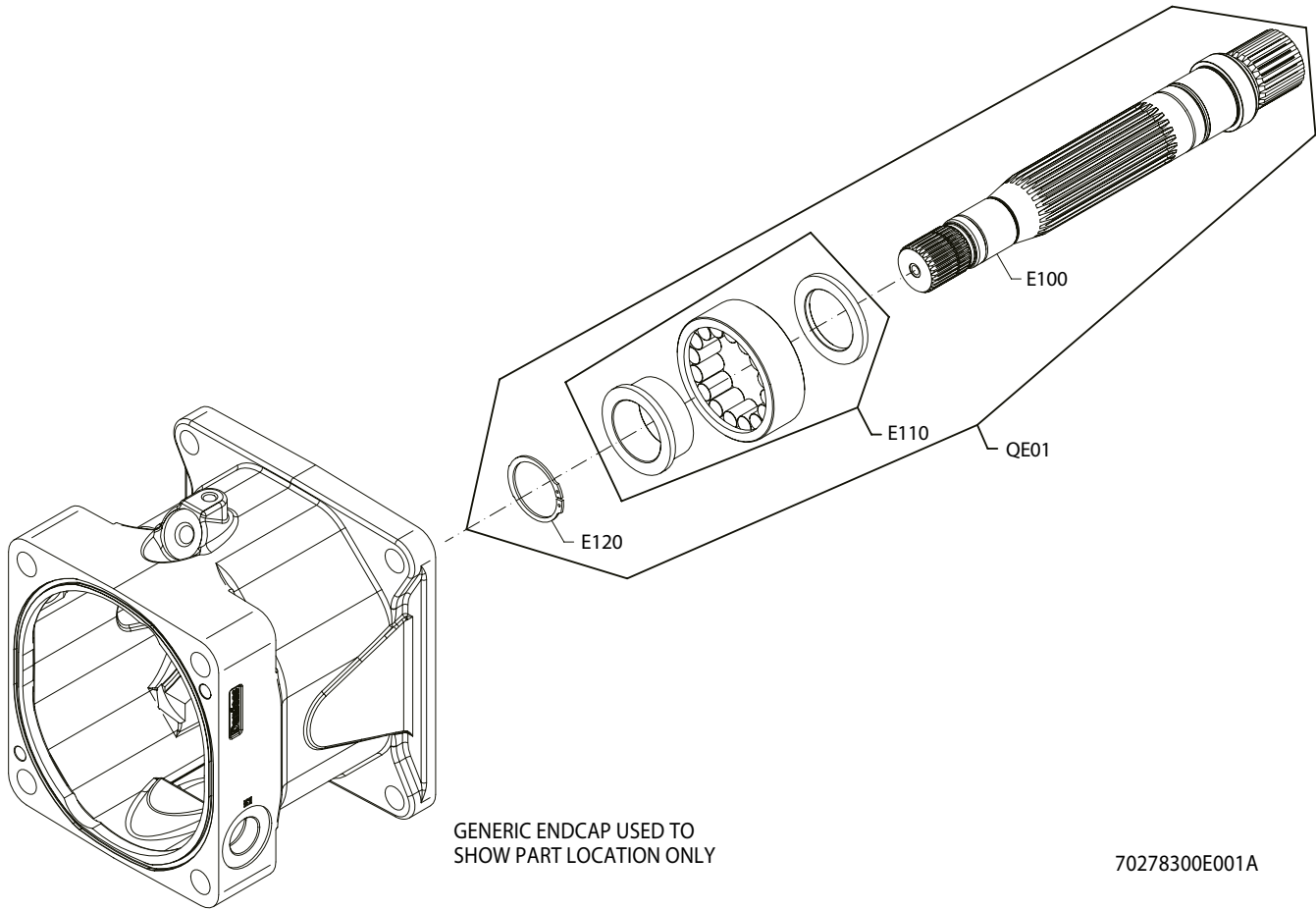
Control Type

TPSN

Order Code	Item	Date Begin	Date End	Part Number	Part Name	Qty. per Model/Kit
TPSN	D135	16-01		11040532	PLUG ASSY-SOC	1
	D145	16-01		11168710	SEAL	1
	D160	16-01		11130807	PIN	2
	D175	16-01		527218	SCREW-SHC	5
	D350	16-01		9004104-1160	O-RING	1
	D370	16-01		11167267	SCREW-SOC	1
	D380	16-01		612291	SEAL-LOCK NUT	1
	D450	16-01		9004104-1160	O-RING	1
	D470	16-01		11167267	SCREW-SOC	1
	D480	16-01		612291	SEAL-LOCK NUT	1
	D540	16-01		9004104-0100	O-RING	1
	D550	16-01		11130806	RETAINER RING	1
	D850	16-01		9004104-1160	O-RING	1
	D870	16-01		11167267	SCREW-SOC	1
	D880	16-01		612291	SEAL-LOCK NUT	1
	D900	16-01		11139781	PLUG ASSY-SOC	1
	A220	16-01		11124670	PISTON-BIAS	1
	QD01	16-01		11180173	SVC KIT-CONTROL	1

Input Shaft

Input Shaft: A, S, T





Input Shaft

Input Shaft: A

Order Code	Item	Date Begin	Date End	Part Number	Part Name	Qty. per Model/Kit
A	E100	16-01		11172575	SHAFT	1
	E110	16-01		11126180	BEARING	1
	E120	16-01		11125394	RETAINER RING	1
	QE01	16-01		11189644	SVC KIT-SHAFT	1

Input Shaft: S

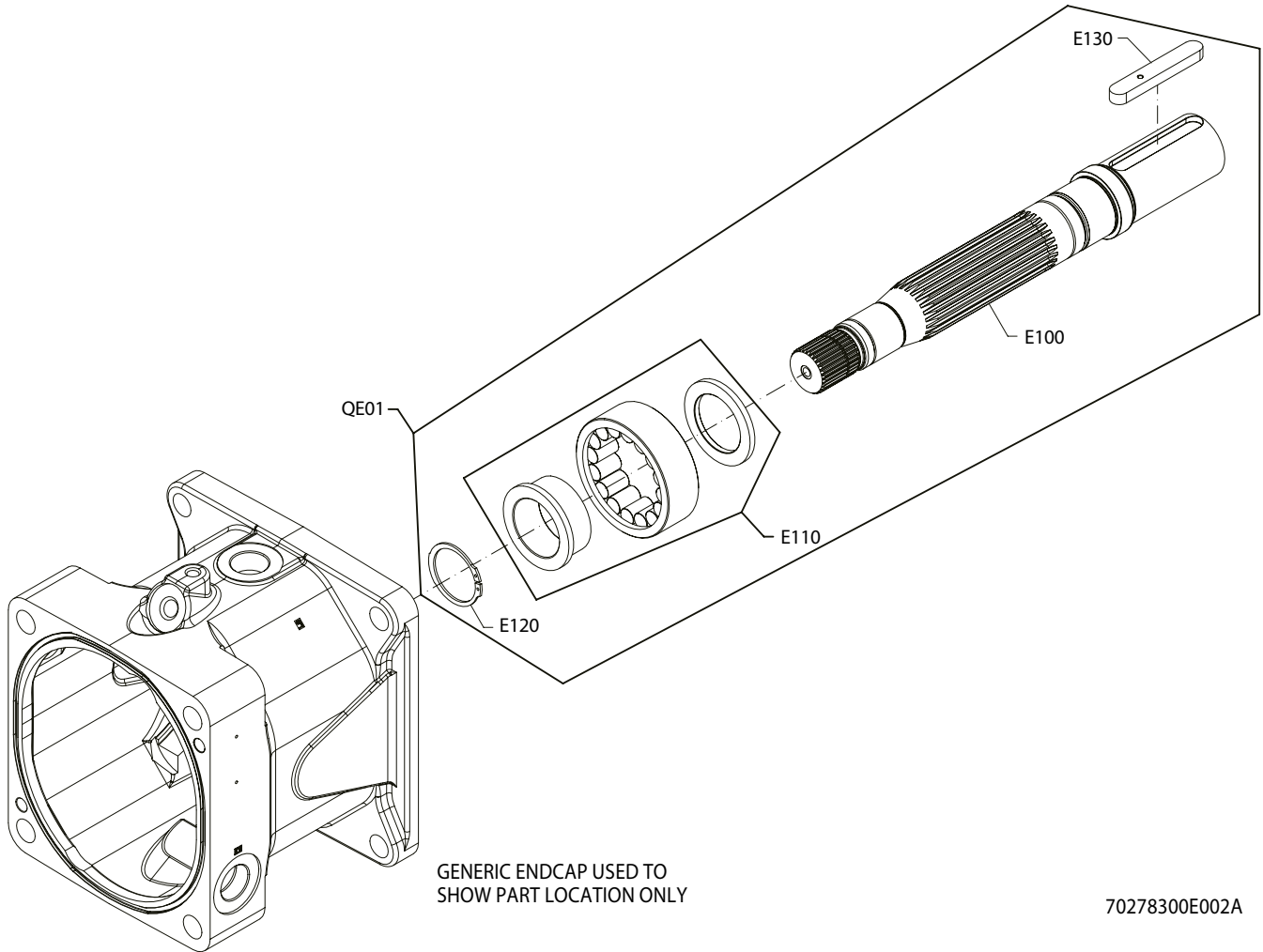
Order Code	Item	Date Begin	Date End	Part Number	Part Name	Qty. per Model/Kit
S	E100	16-01		11172574	SHAFT	1
	E110	16-01		11126180	BEARING	1
	E120	16-01		11125394	RETAINER RING	1
	QE01	16-01		11189643	SVC KIT-SHAFT	1

Input Shaft: T

Order Code	Item	Date Begin	Date End	Part Number	Part Name	Qty. per Model/Kit
T	E100	16-01		11124626	SHAFT	1
	E110	16-01		11126180	BEARING	1
	E120	16-01		11125394	RETAINER RING	1
	QE01	16-01		11189646	SVC KIT-SHAFT	1

Input Shaft

Input Shaft: P



GENERIC ENDCAP USED TO
SHOW PART LOCATION ONLY

70278300E002A



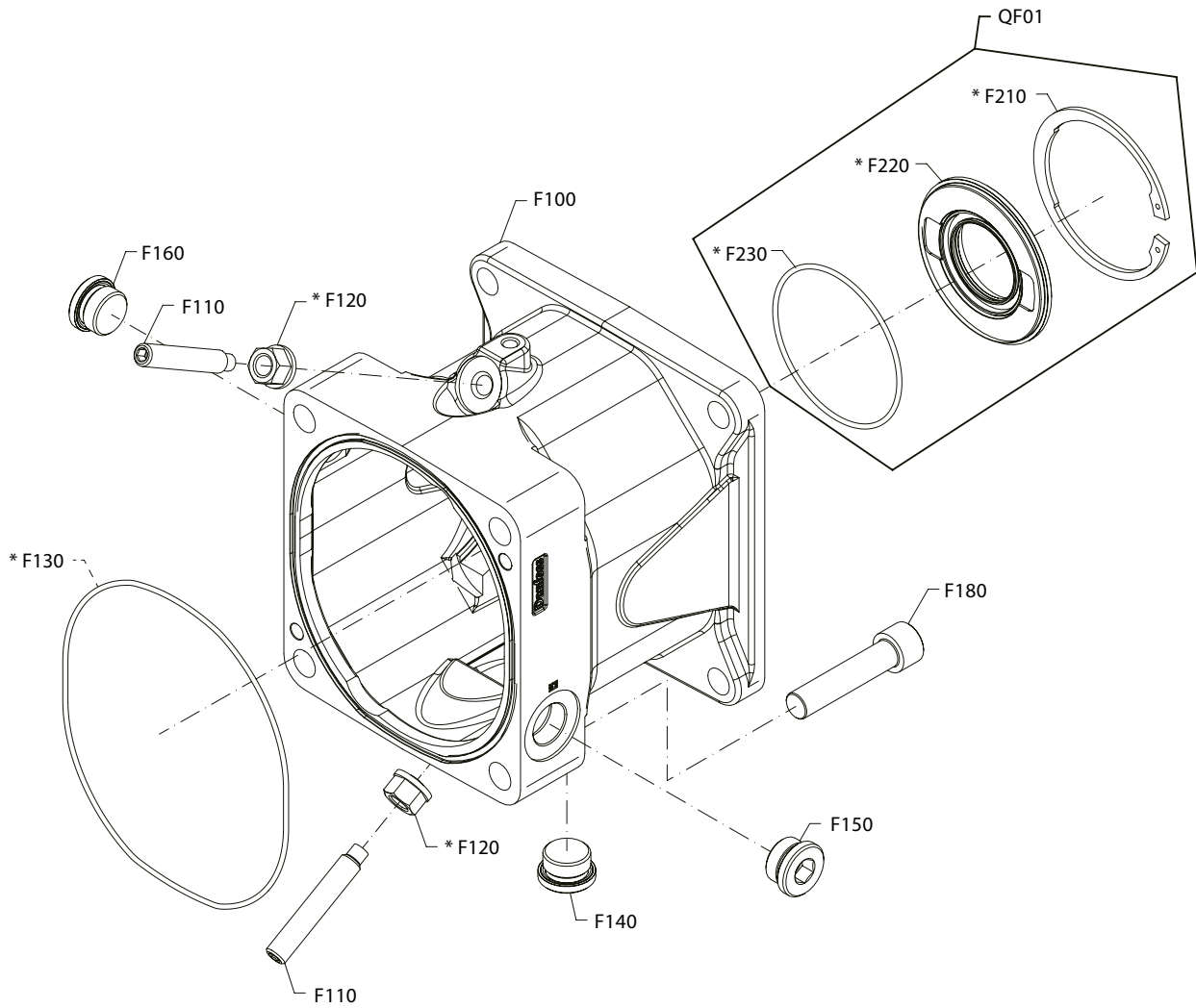
Input Shaft

Input Shaft: P

Order Code	Item	Date Begin	Date End	Part Number	Part Name	Qty. per Model/Kit
P	E100	16-01		11172573	SHAFT	1
	E110	16-01		11126180	BEARING	1
	E120	16-01		11125394	RETAINER RING	1
	E130	16-01		11172700	KEY	1
	QE01	16-01		11189645	SVC KIT-SHAFT	1

Mounting Flange

Mounting Flange: E4



* = INCLUDED IN OVERHAUL SEAL KIT Q210

70278300F001A



Mounting Flange

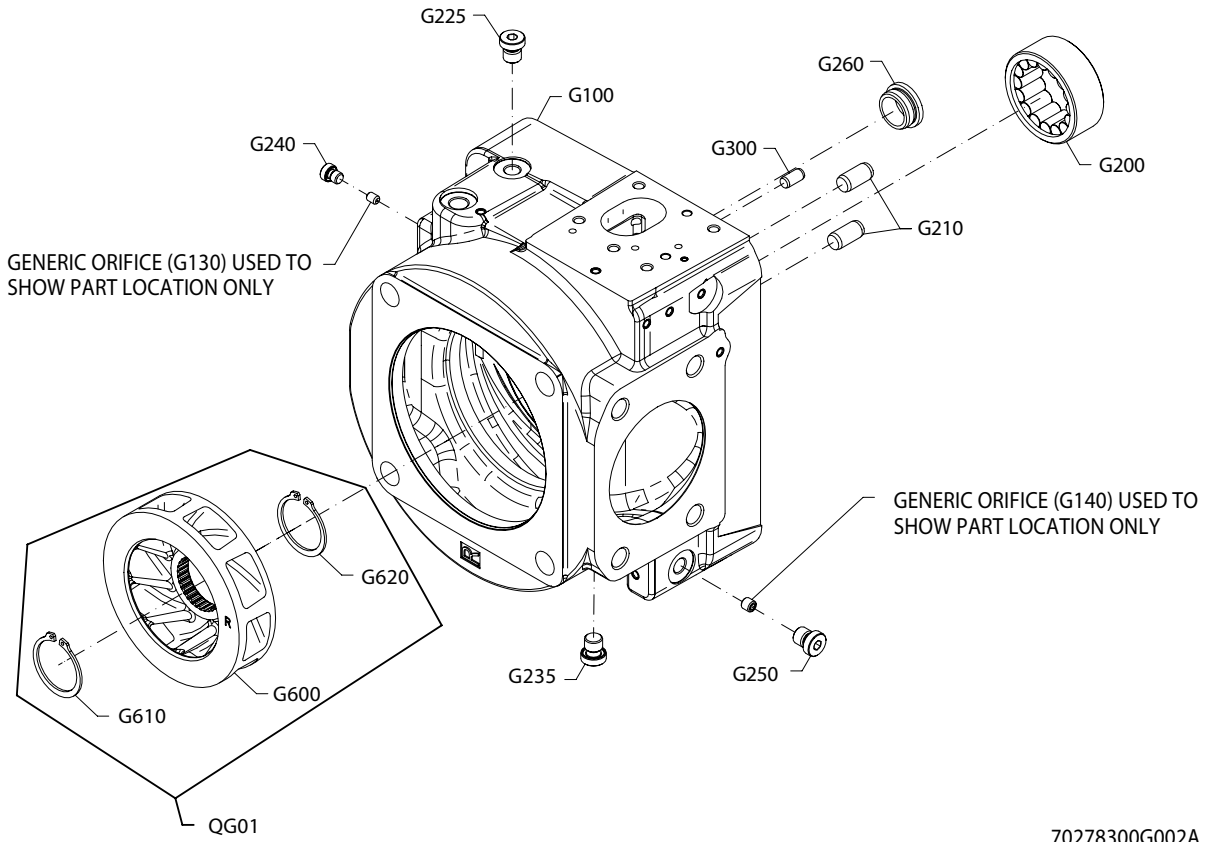
Mounting Flange: E4

Order Code	Item	Date Begin	Date End	Part Number	Part Name	Qty. per Model/Kit
E4	F100	16-01		11136907	HOUSING	1
	F110	16-01		11164808	SCREW-SET	2
	F120	16-01		11125710	NUT-HEX	2
	F130	16-01		11143013	O-RING	1
	F140	16-01		11167122	PLUG ASSY-SOC	1
	F150	16-01		11167122	PLUG ASSY-SOC	1
	F160	16-01		11167122	PLUG ASSY-SOC	1
	F180	16-01		11125711	SCREW-SOC	4
	F210	16-01		11125359	RETAINER RING	1
	F220	16-01		11127785	SEAL CARRIER ASSY	1
	F230	16-01		11130726	O-RING	1
	QF01	16-01		11153194	SVC KIT-SHAFT SEAL	1



End Cap

End Cap: RY2



70278300G002A



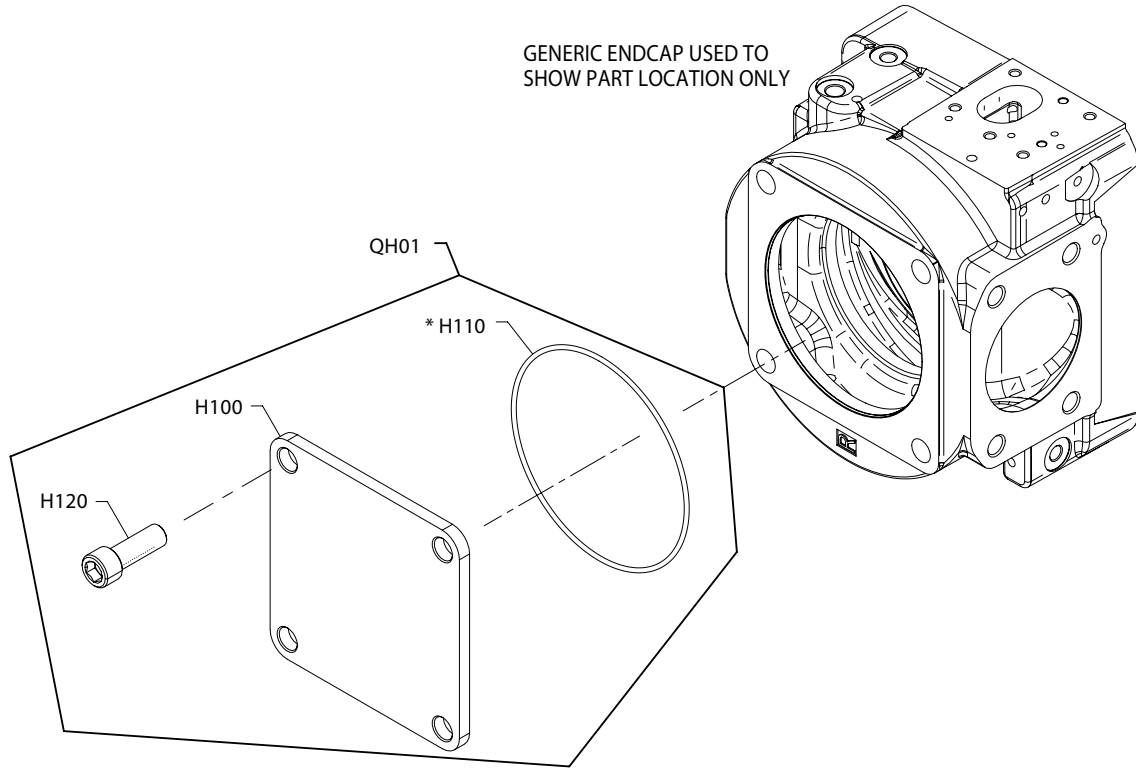
End Cap

End Cap: RY2

Order Code	Item	Date Begin	Date End	Part Number	Part Name	Qty. per Model/Kit
RY2	G100			11129045	END CAP ASSY	1
	G200			11126179	BEARING	1
	G210			11125269	PIN-DOWEL	2
	G225			11135349	PLUG ASSY-SOC	1
	G235			11135349	PLUG ASSY-SOC	1
	G240			11135424	PLUG ASSY-SOC	1
	G250			11135349	PLUG ASSY-SOC	1
	G260			11124672	BUSHING	1
	G300			11135318	PIN	1
	G600			11126107	IMPELLER	1
	G610			11127784	RETAINER RING	1
	G620			11127784	RETAINER RING	1
	QG01			11153195	SVC KIT-IMPELLER	1

Auxiliary Mounting Flange

Auxiliary Mounting Flange:NN



* = INCLUDED IN OVERHAUL SEAL KIT Q210

70278300H006A



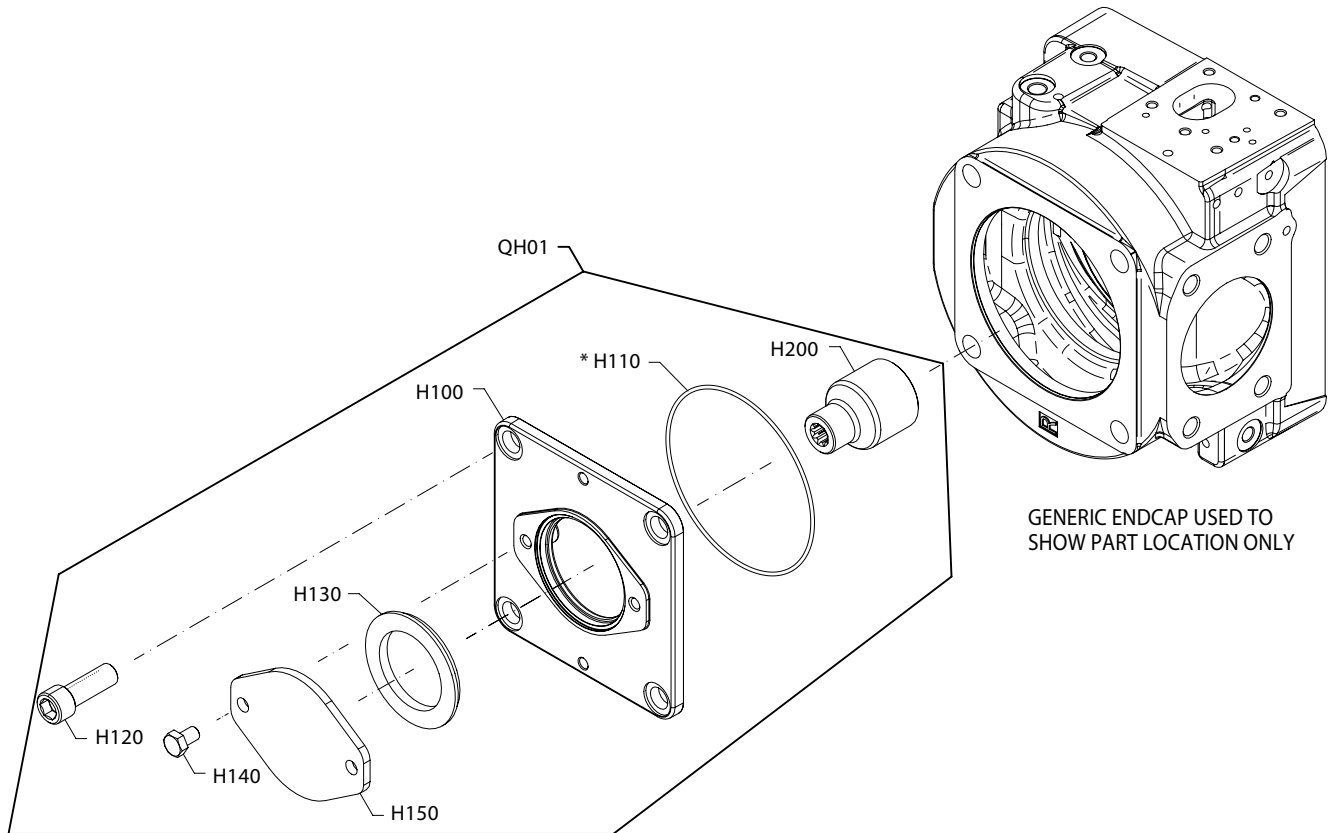
Auxiliary Mounting Flange

Auxiliary Mounting Flange:NN

Order Code	Item	Date Begin	Date End	Part Number	Part Name	Qty. per Model/Kit
NN	H100	16-01		11159172	COVER	1
	H110	16-01		505068	O-RING	1
	H120	16-01		11130802	SCREW-SOC	4
	QH01	16-01		11160951	SVC KIT-AUX PAD	1

Auxiliary Mounting Flange

Auxiliary Mounting Flange:A1



* = INCLUDED IN OVERHAUL SEAL KIT Q210

70278300H001A



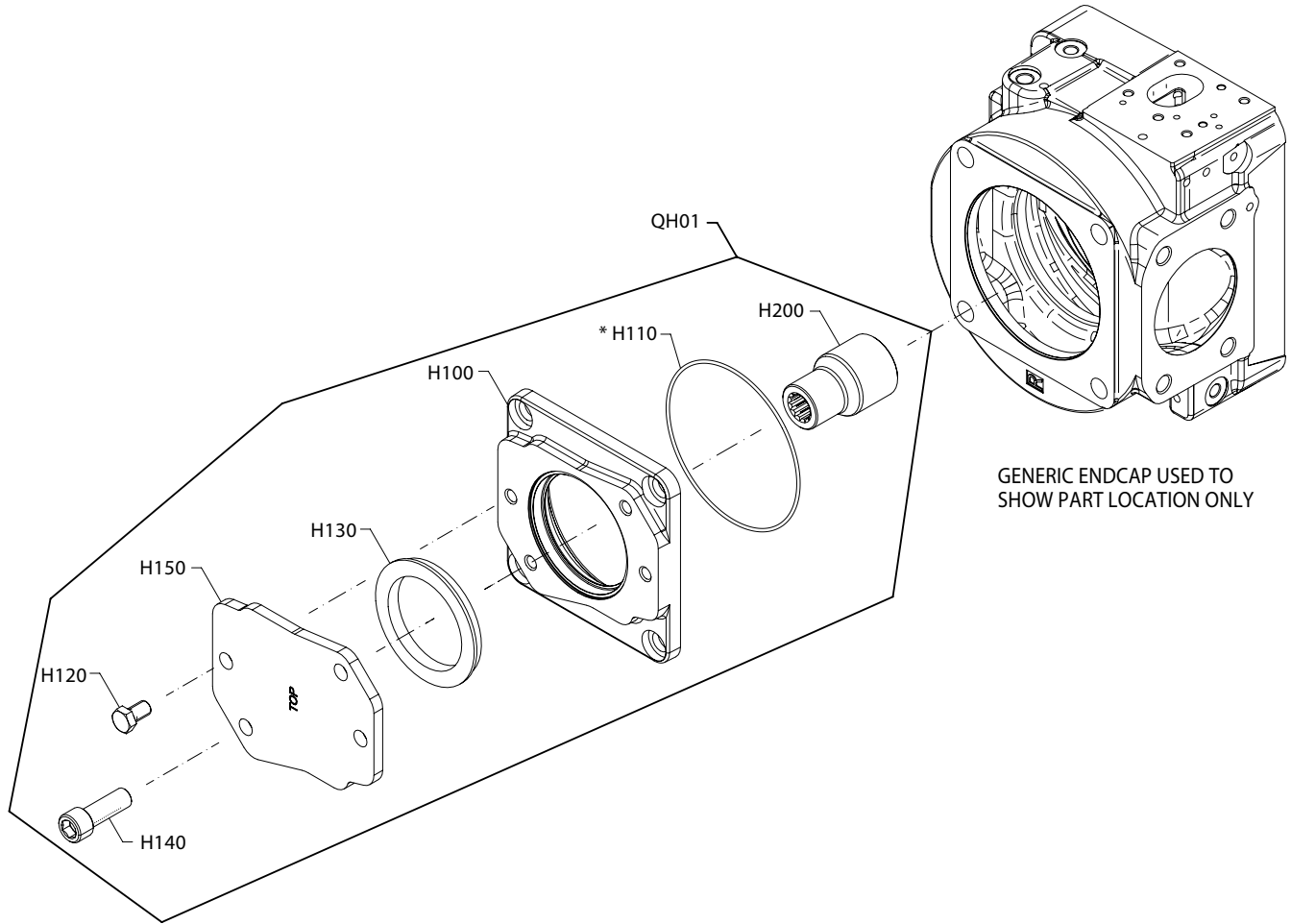
Auxiliary Mounting Flange

Auxiliary Mounting Flange:A1

Order Code	Item	Date Begin	Date End	Part Number	Part Name	Qty. per Model/Kit
A1	H100	16-01		11137727	ADAPTER	1
	H110	16-01		11130792	O-RING	1
	H120	16-01		11130802	SCREW-SOC	4
	H130	16-01		4800482	SEAL	1
	H140	16-01		11139662	SCREW-HEX	2
	H150	16-01		4460586	COVER	1
	H200	16-01		11138417	COUPLING	1
	QH01	16-01		11160946	SVC KIT-AUX PAD	1

Auxiliary Mounting Flange

Auxiliary Mounting Flange:B1



* = INCLUDED IN OVERHAUL SEAL KIT Q210

70278300H002A



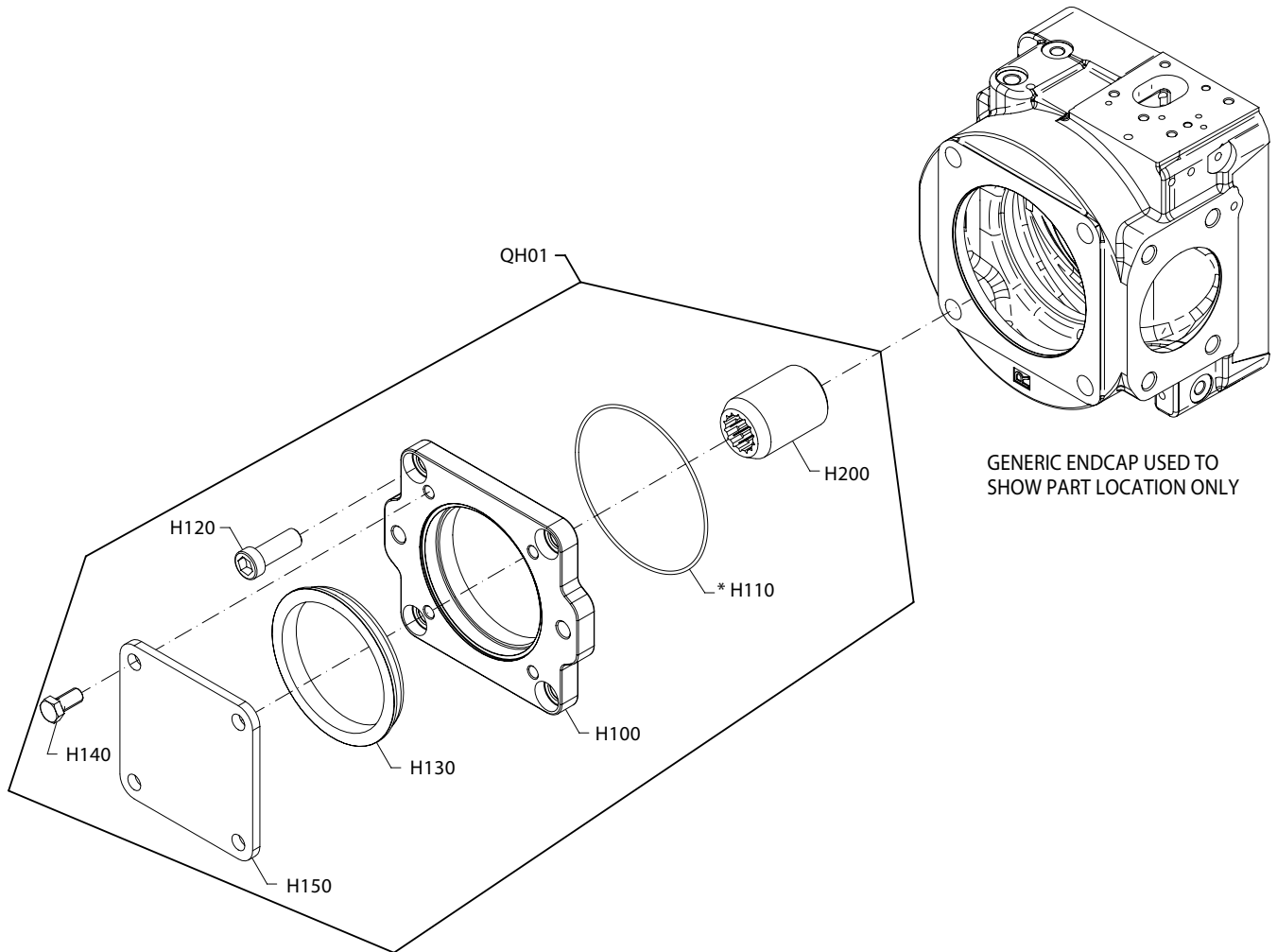
Auxiliary Mounting Flange

Auxiliary Mounting Flange:B1

Order Code	Item	Date Begin	Date End	Part Number	Part Name	Qty. per Model/Kit
B1	H100	16-01		11129048	ADAPTER	1
	H110	16-01		11130792	O-RING	1
	H120	16-01		11130802	SCREW-SOC	4
	H130	16-01		8801061	SEAL	1
	H140	16-01		5000760	SCREW-HEX	2
	H150	16-01		11154207	COVER	1
	H200	16-01		11138204	COUPLING	1
	QH01	16-01		11160947	SVC KIT-AUX PAD	1

Auxiliary Mounting Flange

Auxiliary Mounting Flange:C5



* = INCLUDED IN OVERHAUL SEAL KIT Q210

70278300H003A



Auxiliary Mounting Flange

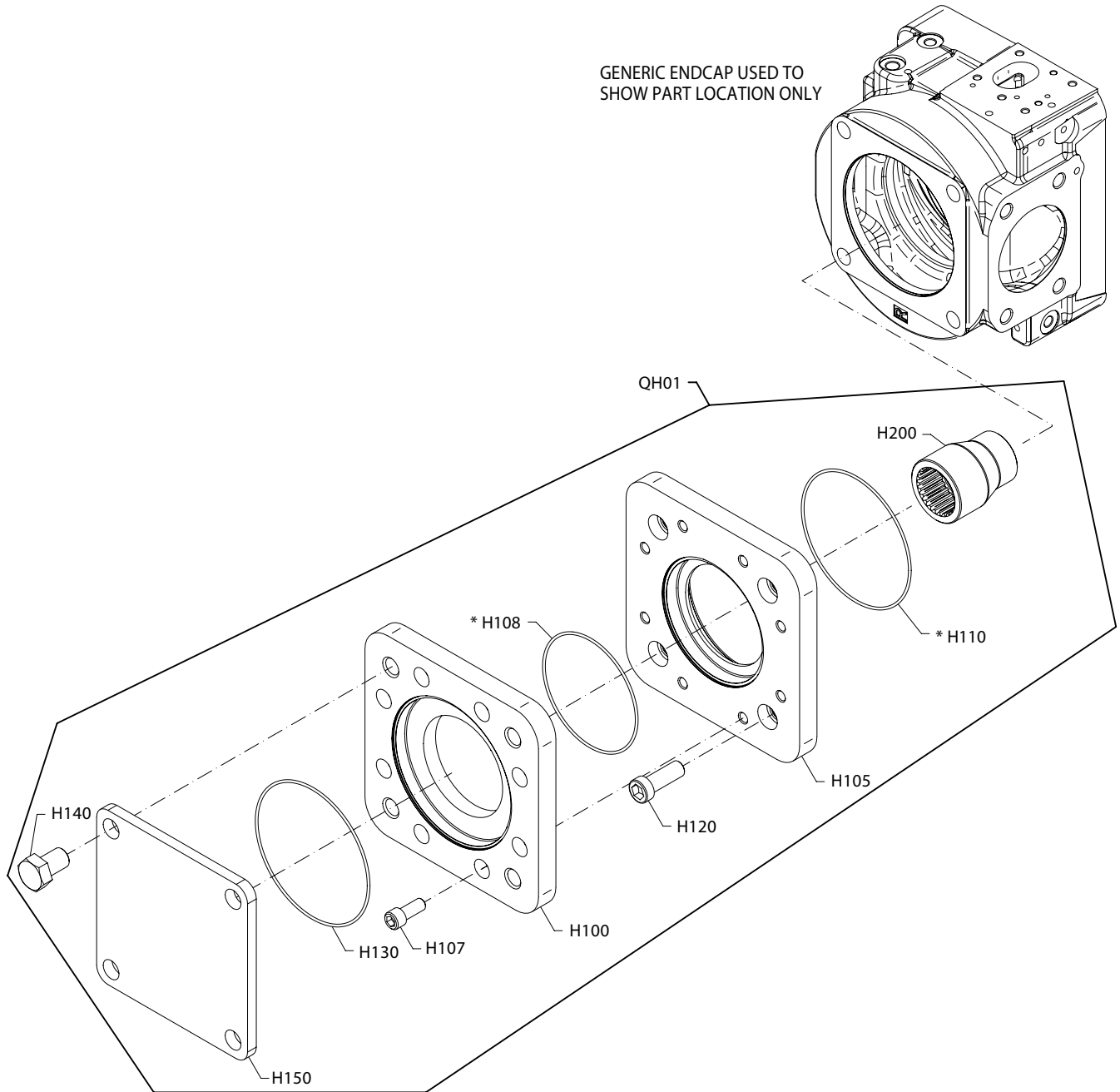
Auxiliary Mounting Flange:C5

Order Code	Item	Date Begin	Date End	Part Number	Part Name	Qty. per Model/Kit
C5	H100	16-01		11156542	ADAPTER	1
	H110	16-01		11130792	O-RING	1
	H120	16-01		11165544	SCREW-SOC	4
	H130	16-01		11081805	SEAL	1
	H140	16-01		5000760	SCREW-HEX	4
	H150	16-01		8801060	COVER	1
	H200	16-01		11153130	COUPLING	1
	QH01	16-01		11160948	SVC KIT-AUX PAD	1

Auxiliary Mounting Flange

Auxiliary Mounting Flange:D5

GENERIC ENDCAP USED TO
SHOW PART LOCATION ONLY



* = INCLUDED IN OVERHAUL SEAL KIT Q210

70278300H004A



Auxiliary Mounting Flange

Auxiliary Mounting Flange:D5

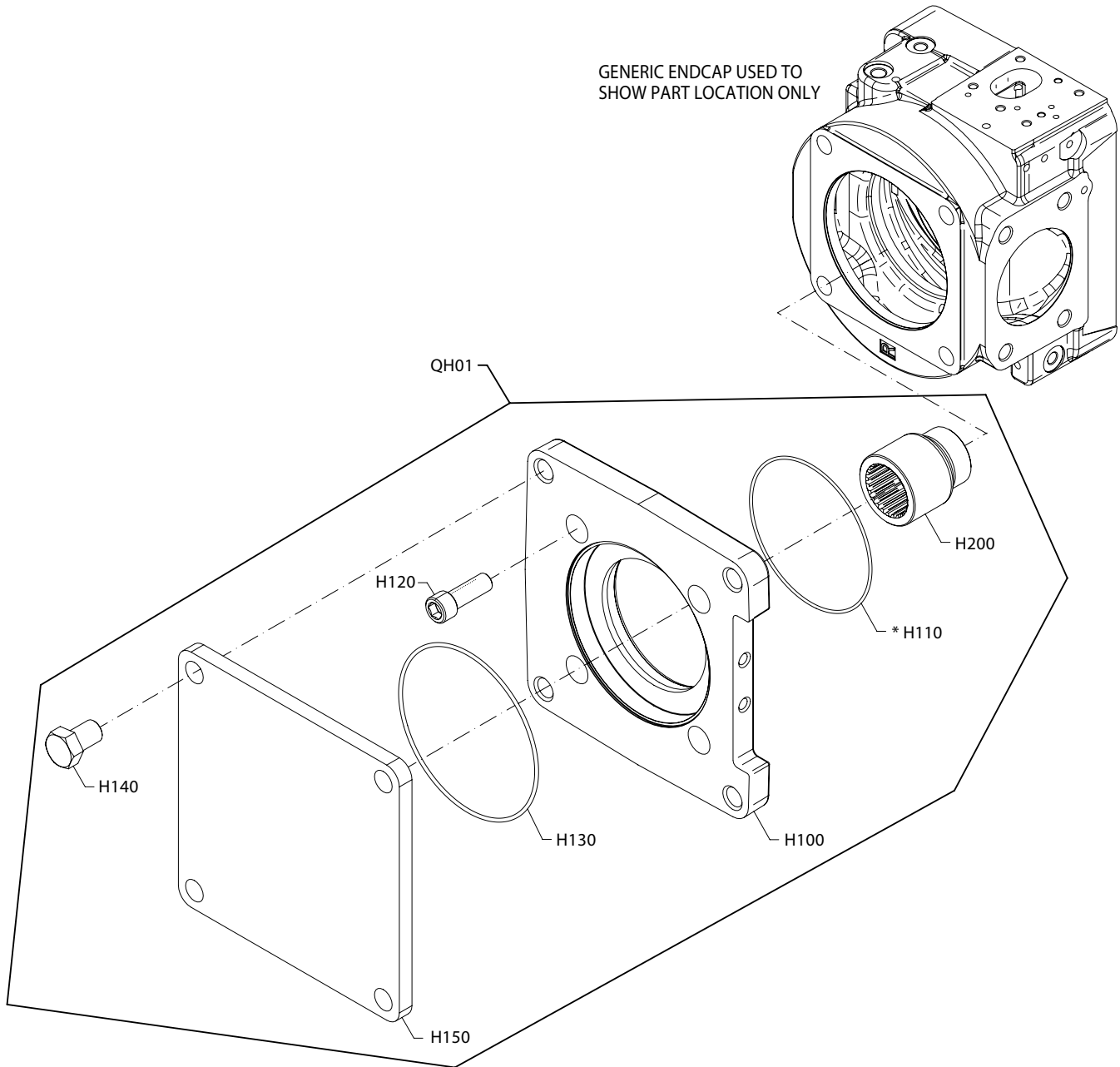
Order Code	Item	Date Begin	Date End	Part Number	Part Name	Qty. per Model/Kit
D5	H100	16-01		11165411	ADAPTER-REAR	1
	H105	16-01		11165410	ADAPTER-FRONT	1
	H107	16-01		9007314-1207	SCREW-SOC	8
	H108	16-01		9004104-1580	O-RING	1
	H110	16-01		11130792	O-RING	1
	H120	16-01		11165544	SCREW-SOC	4
	H130	16-01		9004104-1620	O-RING	1
	H140	16-01		11024165	SCREW-HEX	4
	H150	16-01		338400	COVER	1
	H200	16-01		11180061	COUPLING	1
QH01	16-01		11170706	SVC KIT-AUX PAD	1	



Auxiliary Mounting Flange

Auxiliary Mounting Flange:E2

GENERIC ENDCAP USED TO
SHOW PART LOCATION ONLY



* = INCLUDED IN OVERHAUL SEAL KIT Q210

70278300H005A



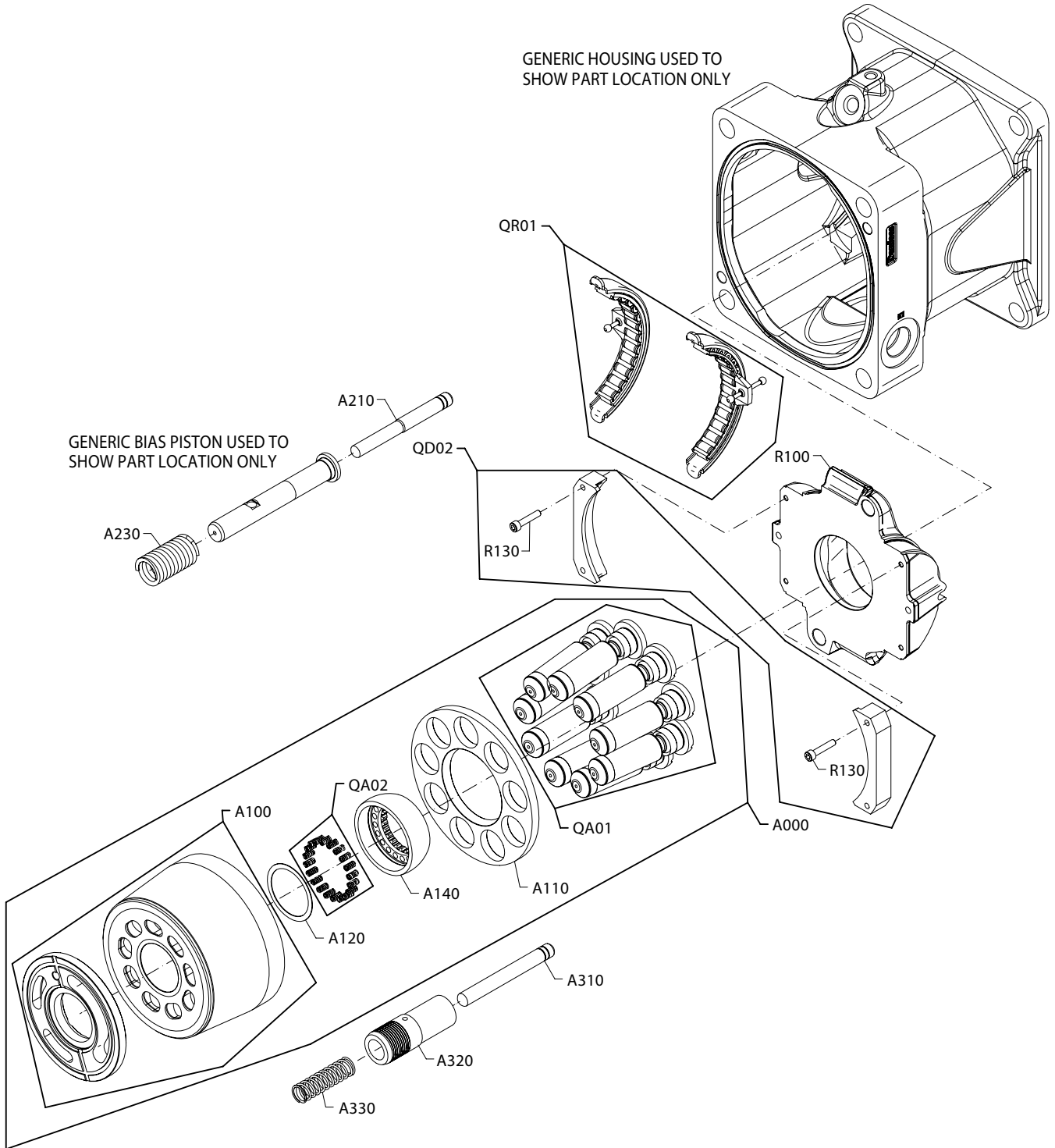
Auxiliary Mounting Flange

Auxiliary Mounting Flange:E2

Order Code	Item	Date Begin	Date End	Part Number	Part Name	Qty. per Model/Kit
E2	H100	16-01		11136088	ADAPTER	1
	H110	16-01		11130792	O-RING	1
	H120	16-01		11130802	SCREW-SOC	4
	H130	16-01		505068	O-RING	1
	H140	16-01		11024165	SCREW-HEX	4
	H150	16-01		750422	COVER	1
	H200	16-01		11138418	COUPLING	1
	QH01	16-01		11160950	SVC KIT-AUX PAD	1

Kit Group

Kit Group: NNN



70278300R001A



Kit Group

Kit Group: NNN

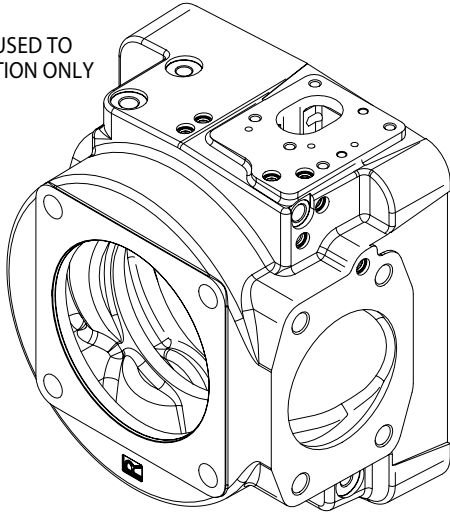
Order Code	Item	Date Begin	Date End	Part Number	Part Name	Qty. per Model/Kit
NNN	A000	16-01		11126025	KIT ASSY	1
	A100	16-01		11142921	VALVE PLATE SET-CYLINDER BLOCK	1
	A110	16-01		11154983	RETAINER-SLIPPER	1
	A120	16-01		11124666	WASHER	1
	A140	16-01		11141966	GUIDE-SLIPPER RETAINER	1
	A210	16-01		11124669	ROD-BIAS	1
	A230	16-01		11124673	SPRING-HELICAL COMP, 4.25x31.5x104	1
	A310	16-01		11124668	ROD-SERVO	1
	A320	16-01		11125505	PISTON-SERVO	1
	A330	16-01		11124674	SPRING	1
	R100	16-01		11160531	SWASHPLATE	1
	R130	16-01		11142920	SCREW-SOC	4
	QA01	16-01		11153198	SVC KIT-PISTON	1
	QA02	16-01		11187630	SVC KIT-SPRING	1
	QR01	16-01		11187631	SVC KIT-BEARING	1
	QR02	16-01		11189654	SVC KIT-HOLDER	1



Kit Group

Name Tag: NNN

GENERIC ENDCAP USED TO
SHOW PART LOCATION ONLY



G130
(DETAIL LOCATION SEE ENDCAP OPTION 70278300G-xxx)

G140
(DETAIL LOCATION SEE ENDCAP OPTION 70278300G-xxx)

70278300S001A



Kit Group

Name Tag: NNN

Order Code	Item	Date Begin	Date End	Part Number	Part Name	Qty. per Model/Kit
NNN	G130	16-01		516598	ORIFICE	1
	G140	16-01		11131955	ORIFICE	1

Over Haul Seal Kit

Item	Date Begin	Date End	Part Number	Part Name	Qty. per Model/Kit
Q210	16-01		11187635	SVC KIT-OVERHAUL SEAL	
BOM for Q210	D120	16-01	9003509-0006	NUT-HEX SEAL	1
	D145	16-01	11168710	SEAL	1
	D190	16-01	9004104-1200	O-RING	1
	D210	16-01	11130945	O-RING	1
	D350	16-01	9004104-1160	O-RING	1
	D380	16-01	612291	NUT-HEX SEAL	1
	D450	16-01	9004104-1160	O-RING	1
	D480	16-01	612291	SEAL-LOCK NUT	1
	D540	16-01	9004104-0100	O-RING	1
	D850	16-01	9004104-1160	O-RING	1
	D880	16-01	612291	SEAL-LOCK NUT	1
	D902	16-01	11135346	SEAL	1
	F120	16-01	11125710	NUT-HEX	2
	F130	16-01	11143013	O-RING	1
	F220	16-01	11127785	SEAL CARRIER ASSY	1
	F230	16-01	11130726	O-RING	1
	H108	16-01	9004104-1580	O-RING	1
H110	16-01	11130792	O-RING	1	
H110	16-01	505068	O-RING	1	

Products we offer:

- Bent Axis Motors
- Closed Circuit Axial Piston Pumps and Motors
- Displays
- Electrohydraulic Power Steering
- Electrohydraulics
- Hydraulic Power Steering
- Integrated Systems
- Joysticks and Control Handles
- Microcontrollers and Software
- Open Circuit Axial Piston Pumps
- Orbital Motors
- PLUS+1® GUIDE
- Proportional Valves
- Sensors
- Steering
- Transit Mixer Drives

Danfoss Power Solutions is a global manufacturer and supplier of high-quality hydraulic and electronic components. We specialize in providing state-of-the-art technology and solutions that excel in the harsh operating conditions of the mobile off-highway market. Building on our extensive applications expertise, we work closely with our customers to ensure exceptional performance for a broad range of off-highway vehicles.

We help OEMs around the world speed up system development, reduce costs and bring vehicles to market faster.

Danfoss – Your Strongest Partner in Mobile Hydraulics.

Go to www.powersolutions.danfoss.com for further product information.

Wherever off-highway vehicles are at work, so is Danfoss.

We offer expert worldwide support for our customers, ensuring the best possible solutions for outstanding performance. And with an extensive network of Global Service Partners, we also provide comprehensive global service for all of our components.

Please contact the Danfoss Power Solution representative nearest you.

Comatrol

www.comatrol.com

Schwarz Müller-Inverter

www.schwarzmueller-inverter.com

Turolla

www.turollaocg.com

Valmova

www.valmova.com

Hydro-Gear

www.hydro-gear.com

Daikin-Sauer-Danfoss

www.daikin-sauer-danfoss.com

Local address:

Danfoss Power Solutions (US) Company

2800 East 13th Street
Ames, IA 50010, USA
Phone: +1 515 239 6000

Danfoss Power Solutions GmbH & Co. OHG

Krokamp 35
D-24539 Neumünster, Germany
Phone: +49 4321 871 0

Danfoss Power Solutions ApS

Nordborgvej 81
DK-6430 Nordborg, Denmark
Phone: +45 7488 2222

Danfoss Power Solutions (Shanghai) Co. Ltd.

Building #22, No. 1000 Jin Hai Rd
Jin Qiao, Pudong New District
Shanghai, China 201206
Phone: +86 21 3418 5200

Danfoss can accept no responsibility for possible errors in catalogues, brochures and other printed material. Danfoss reserves the right to alter its products without notice. This also applies to products already on order provided that such alterations can be made without consequential changes being necessary in specifications already agreed. All trademarks in this material are property of the respective companies. Danfoss and the Danfoss logotype are trademarks of Danfoss A/S. All rights reserved.