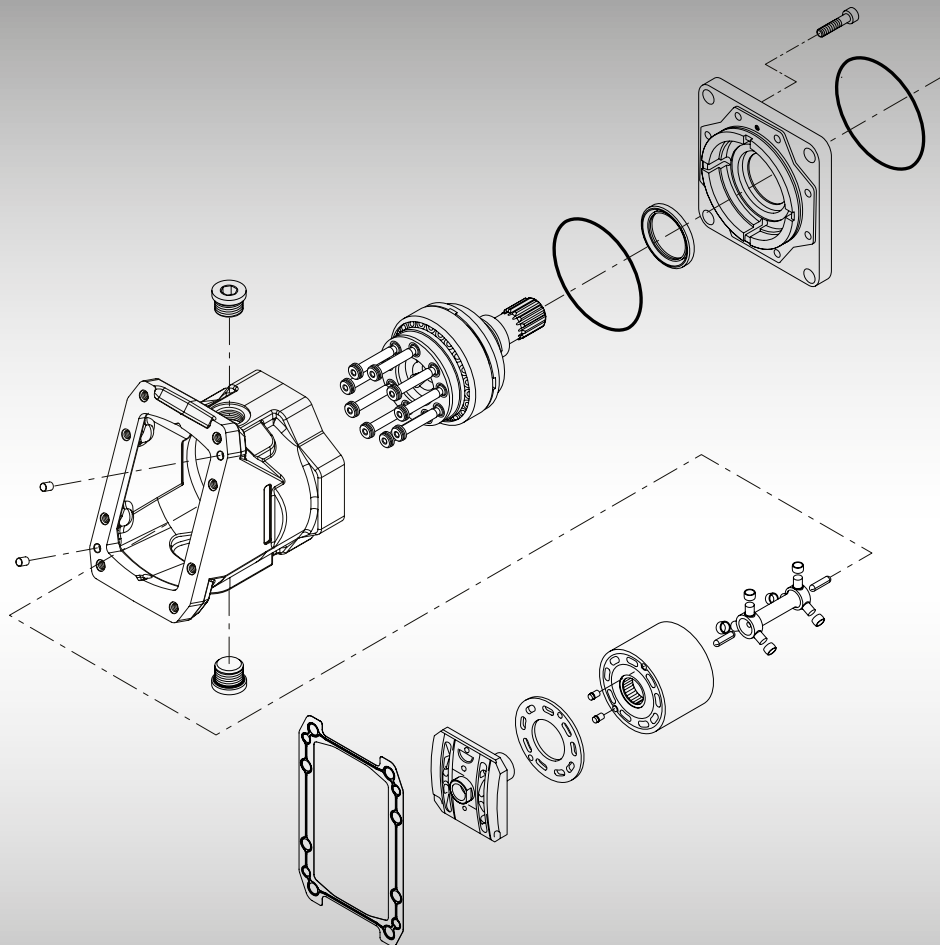




Parts Manual

Variable Displacement Motors Series 51, 60cc




Contents

| | | |
|--------------------------------------|---|-------|
| General Information | Service parts identification | 5 |
| | Nameplate | 5 |
| | Date code..... | 6 |
| | Service bulletins..... | 6 |
| | Procedure to identify a part..... | 6 |
| Order code | Order code | 7 |
| Cartridge flange | Special hardware | 8-11 |
| DIN flange | Special hardware | 12-13 |
| SAE flange | Special hardware | 14-15 |
| Maximum displacement | Maximum displacement common parts | 16-17 |
| | Maximum displacement..... | 16-17 |
| End cap | Axial ports | 18-19 |
| | Side ports | 20-23 |
| Threshold/range | Threshold/range..... | 24-25 |
| Charge relief | Charge relief | 26-27 |
| Output shaft | Shaft | 28-29 |
| Control | Electric proportional (D7 and D8) | 30-31 |
| | Electric 2-position (E1 and E2) | 32-33 |
| | Electric proportional (EP, EQ, ER, and ES) | 34-35 |
| | Electric 2-position (F1 and F2) | 36-37 |
| | Hydraulic porportional with electric override (H1 and H2) | 38-39 |
| | Electric proportional w/pressure reducing (H3 and H4) | 40-41 |
| | Hydraulic proportional (HA and HP) | 42-43 |
| | Hydraulic proportional (HS and HZ) | 44-45 |
| | Hydraulic porportional with electric override (J1) | 46-47 |
| | Hydraulic proportional (JA) | 48-49 |
| | Hydraulic porportional with electric override (K1 and K2) | 50-51 |
| | Electric proportional (L1, L2, L3, L4 and L7)..... | 52-53 |
| | Hydraulic 2-position (N2)..... | 52-53 |
| | Pressure compensator (PC)..... | 54-55 |
| | Electric 2-position with solenoid (T9) | 56-57 |
| | Pressure compensator (TA) | 56-57 |
| | Hydraulic 2-position (TH) | 56-57 |
| Electric 2-position (U1 and U2)..... | 58-59 | |
| Electric proportional (Y7) | 58-59 | |


Contents

| | | |
|-----------------------------|--|--------|
| Servo supply | Servo pressure supply | 60-67 |
| Loop flushing system | Loop flushing | 68-69 |
| Control ramp | Control ramp | 70-71 |
| Orifice | Orifice | 72-87 |
| Minimum displacement | Minimum displacement | 86-87 |
| Pcor adjuster | PCOR adjuster | 86-87 |
| Overhaul seal kit | Overhaul seal kit | 88 |
| Service bulletins | SB-1993-006 (end cap gasket) | 89 |
| | SB-1995-013 (threshold adjustment screw) | 90 |
| | SB-1996-005 (end cap and valve segment) | 91-92 |
| | SB-1997-009 (servo piston seal ring) | 93 |
| | SB-1997-030 (valve segment) | 94 |
| | SB-1998-035 (incorporate speed sensor in cartridge motors) | 95 |
| | SB-1999-059 (thread change on DIN shaft assemblies) | 96 |
| | SB-2000-044 (loop flushing spring and spring seat change) | 97 |
| | SB-2001-015 (synch shaft kit) | 98 |
| | SB-2002-001 (end cap/control interface seal) | 99-100 |
| | SB-2004-004 (end cap gasket) | 101 |
| | SB-2005-012 (DIN flange/lip seal) | 102 |
| | SB-2009-006 (bearing housing redesign) | 103 |



General information

Service parts identification

The following information and procedure is used to identify the module group, item number, manufacture date, part number, and part name of the parts included in the Series 51 60cc variable displacement motors.

The parts listed include all parts which may be used when performing either “Minor Repairs”, “Major Repairs” or “Conversions” on the Series 51 60cc motors.

Nameplate

Each unit will have a nameplate affixed to the housing. The nameplate will include the following information.

Model Code

The Danfoss model code completely defines the specific unit and must be used when ordering parts to service this product.

Model Number

The Danfoss model number is used by the factory in manufacturing. On repeat orders, a complete unit can be ordered by the model number.

Serial Number

The Danfoss serial number is used to identify the manufacture date and the unit sequence in the build. The serial number is also used to identify the units warranty time period.

The letter code indicates the location of original manufacture (assembly). “N” indicates the unit was originally assembled in Neumuenster, Germany.

The first number (2 digits) indicates the year of manufacture. (“01” would indicate the unit was manufactured in 2001)

The second number (2 digits) indicates the calendar week of manufacture.

The third number (5 digits) is a sequential number used to identify a specific unit.





General information

Date code

The date code is defined as the year and week of manufacture. The same item number may list more than one part number. This indicates that there is more than one configuration for that item number. You will see that there are different date codes for the different part numbers. Find the date code of your unit from the nameplate to determine which service part number you need to order.

EXAMPLE: The service part desired is Item L035.

| Order Code | Item | Date Begin | Date End | Part Number | Part Name | Usage |
|------------|------|------------|----------|-------------|-------------------------------|-------|
| C | L035 | 00-25 | | 515752 | Bearing housing (SB-2000-049) | 1 |
| | L035 | 92-07 | 00-24 | 743831 | Bearing housing | 1 |

All units using this order code with a date code of 92-07 and up to and including 00-24, must use part number "743831". All units with a date code of 00-25 and newer must use part number "515752".

Service bulletins

A Service Bulletin Number (SB-____-____) may follow the "Part Name" of the part you desire. You must read that Service Bulletin prior to ordering that part. The information contained in these Service Bulletins, as of the print date of this bulletin, are included at the end of this manual. Service Bulletins contain more detailed information such as interchangeability, what additional parts are involved, etc. It is suggested that you add additional Service Bulletins to this manual as you receive them.

Procedure to identify a part

General

The modular design of Series 51 motors result in a simplified service parts list and part number identification procedure.

The same item numbers are used for same part names on all units within a product type. (Example: The lip seal - Item L40, has the same item number on all motors.)

A part number that has another number following it in parentheses is done to make this a world wide manual. The first number is sold in Germany. The number in parentheses is sold in the United States. (Example: 664524 (9005110-9000), customers would order 9005110-9000 if ordering the part in the United States.)

Example of a part identification

The nameplate on a Series 51 motor has an Order Code of 51V060 R S1 N HZ B1 A N C2 NNN 026 AA E4 03 00. Use the following procedures to determine the part number of the drive shaft used on this motor.

1) Referring to the shaft module in the Order Code (see page 7), the shaft option for this motor is identified by the code "S1". (51V060 R **S1** N HZ B1 A N C2 NNN 026 AA E4 03 00)

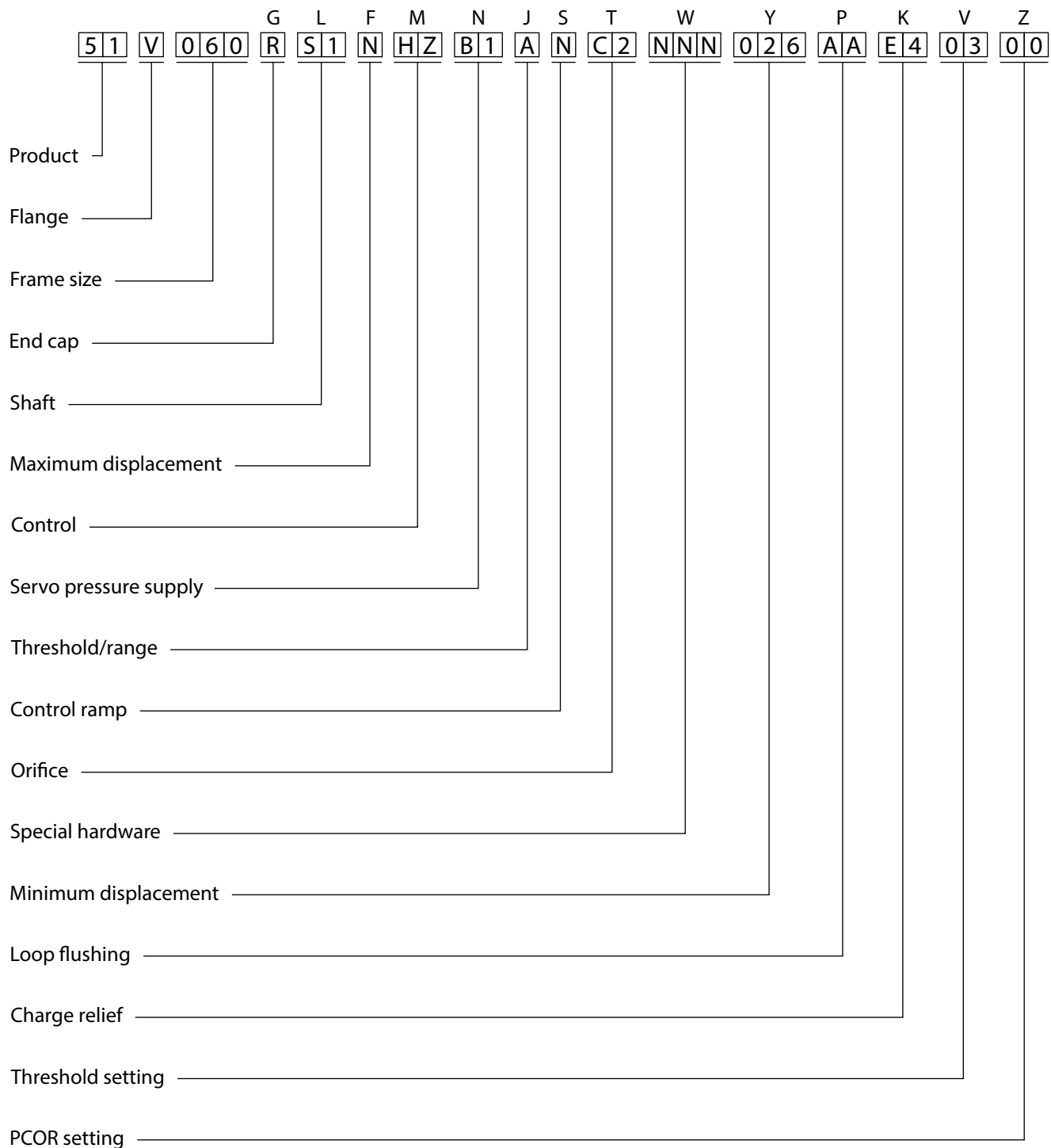
2) Referring to the Service Parts List, find the shaft group. Next find the order code that relates to this unit, which is "S1". The shaft is found to be item QL10 and part number 11100478 if a speed ring is not required. The shaft is found to be item QL11 and part number 11100479 if a speed ring is required.



Notes



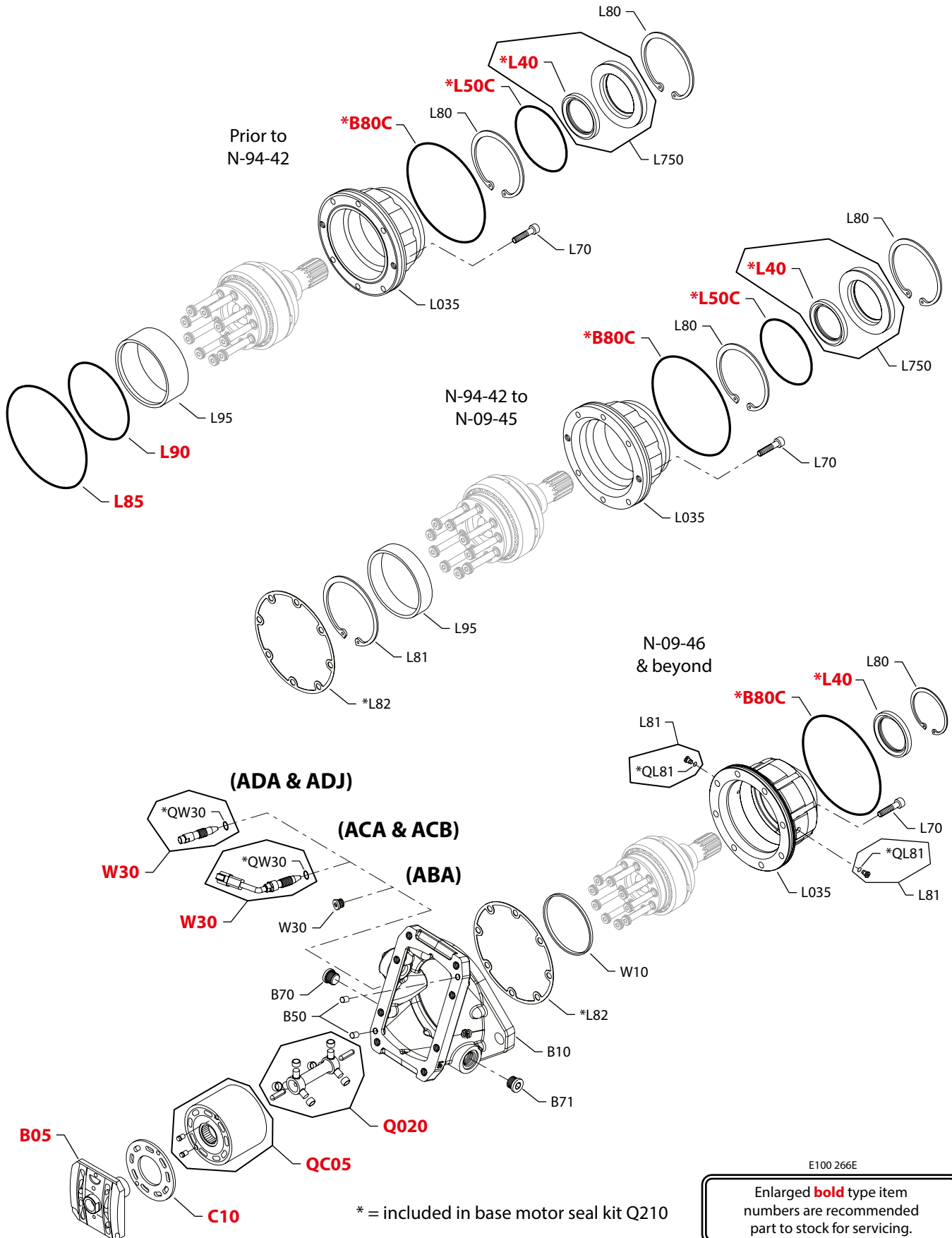
Order code



P100 542E



Variable Displacement Motor



E100 266E

Enlarged **bold** type item numbers are recommended part to stock for servicing.


Variable Displacement Motor
Cartridge flange common parts

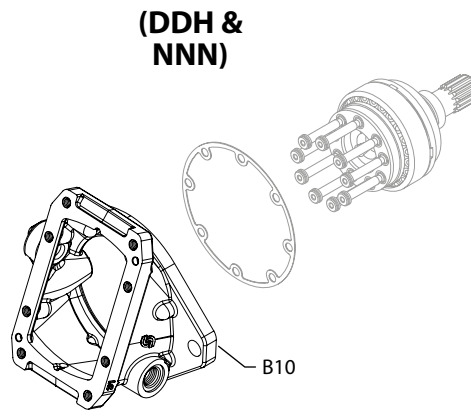
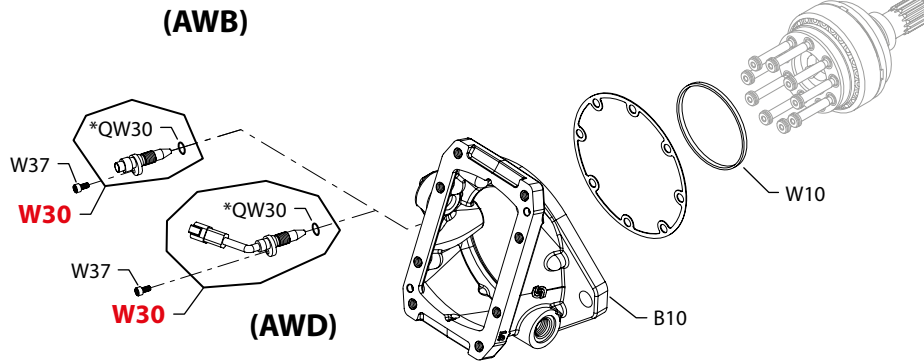
| Order code | Item | Date begin | Date end | Part number | Part name | Qty. per model/kit |
|------------|------|------------|----------|-----------------------|---|--------------------|
| C | B05 | 92-07 | | 508197 | Valve segment (SB-1996-005 & SB-1997-030) | 1 |
| | B50 | 92-07 | | 9004800-3708 | Pin | 2 |
| | B70 | 92-07 | | 664524 (9005110-9000) | Plug assembly | 1 |
| | B71 | 92-07 | | 664524 (9005110-9000) | Plug assembly | 1 |
| | B80C | 92-07 | | 726927 | O-ring | 1 |
| | C10 | 92-07 | | 515366 | Bearing plate | 1 |
| | L035 | 09-46 | | 11038245 | Bearing housing (SB-2009-006) | 1 |
| | L035 | 94-42 | 09-45 | 11009204 | Bearing housing (SB-1998-035) | 1 |
| | L40 | 09-46 | | 519021 | Lip seal (SB-2009-006) | 1 |
| | L40 | 92-07 | 09-45 | 673525 (9008000-0114) | Lip seal | 1 |
| | L50C | 92-07 | 09-45 | 501879 | O-ring (SB-2009-006) | 1 |
| | L70 | 92-07 | | 710855 | Screw | 8 |
| | L80 | 09-46 | | 915280 | Retaining ring (SB-2009-006) | 1 |
| | L80 | 92-07 | 09-45 | 392456 | Retaining ring | 2 |
| | L81 | 09-46 | | 11056747 | Shaft log (SB-2009-006) | 2 |
| | L81 | 94-42 | 09-45 | 501120 | Retaining ring (SB-1998-035) | 1 |
| | L82 | 94-42 | | 501019 | Gasket | 1 |
| | L85 | 92-07 | 94-41 | 916759 | O-ring (SB-1998-035) | 1 |
| | L90 | 92-07 | 94-41 | 279570 | O-ring (SB-1998-035) | 1 |
| | L95 | 94-42 | 09-45 | 501116 | Distance ring (SB-1998-035 & SB-2009-006) | 1 |
| | L95 | 92-07 | 94-41 | 741702 | Distance ring | 1 |
| | L750 | 92-07 | 09-45 | 510482 | Seal carrier assembly (SB-2009-006) | 1 |
| | Q020 | 92-07 | | 517308 | Synch shaft kit (SB-2001-015) | 1 |
| | QC05 | 92-07 | | 732719 | Cylinder block assembly | 1 |
| | QL81 | 09-46 | | 039297 (9004201-1200) | O-ring | 2 |

Special hardware

| | | | | | | |
|-----|------|-------|--|-----------------------|--|---|
| ABA | B10 | 92-07 | | 501103 | Housing with speed sensor port | 1 |
| | W10 | 92-07 | | 11132980 | Speed ring | 1 |
| | W30 | 92-07 | | 140644 | Plug assembly | 1 |
| ACA | B10 | 08-26 | | 501103 | Housing with speed sensor port | 1 |
| | QW30 | 08-26 | | 085043 (9004201-3700) | O-ring | 1 |
| | W10 | 08-26 | | 11132980 | Speed ring | 1 |
| | W30 | 08-26 | | KPPG23408 | Speed sensor | 1 |
| ACB | B10 | 07-08 | | 501103 | Housing with speed sensor port | 1 |
| | QW30 | 07-08 | | 085043 (9004201-3700) | O-ring | 1 |
| | W10 | 07-08 | | 11132980 | Speed ring | 1 |
| | W30 | 07-08 | | KPPG26408 | Speed sensor | 1 |
| ADA | B10 | 95-40 | | 501103 | Housing with speed sensor port (SB-1998-035) | 1 |
| | QW30 | 95-40 | | 085043 (9004201-3700) | O-ring | 1 |
| | W10 | 95-40 | | 11132980 | Speed ring | 1 |
| | W30 | 95-40 | | KPPG256 | Speed sensor | 1 |
| ADJ | B10 | 95-40 | | 501103 | Housing with speed sensor port (SB-1998-035) | 1 |
| | QW30 | 95-40 | | 085043 (9004201-3700) | O-ring | 1 |
| | W10 | 95-40 | | 11132980 | Speed ring | 1 |
| | W30 | 95-40 | | KPPG256 | Speed sensor | 1 |



Variable Displacement Motor



* = included in base motor seal kit Q210

E103 121E

Enlarged **bold** type item numbers are recommended part to stock for servicing.

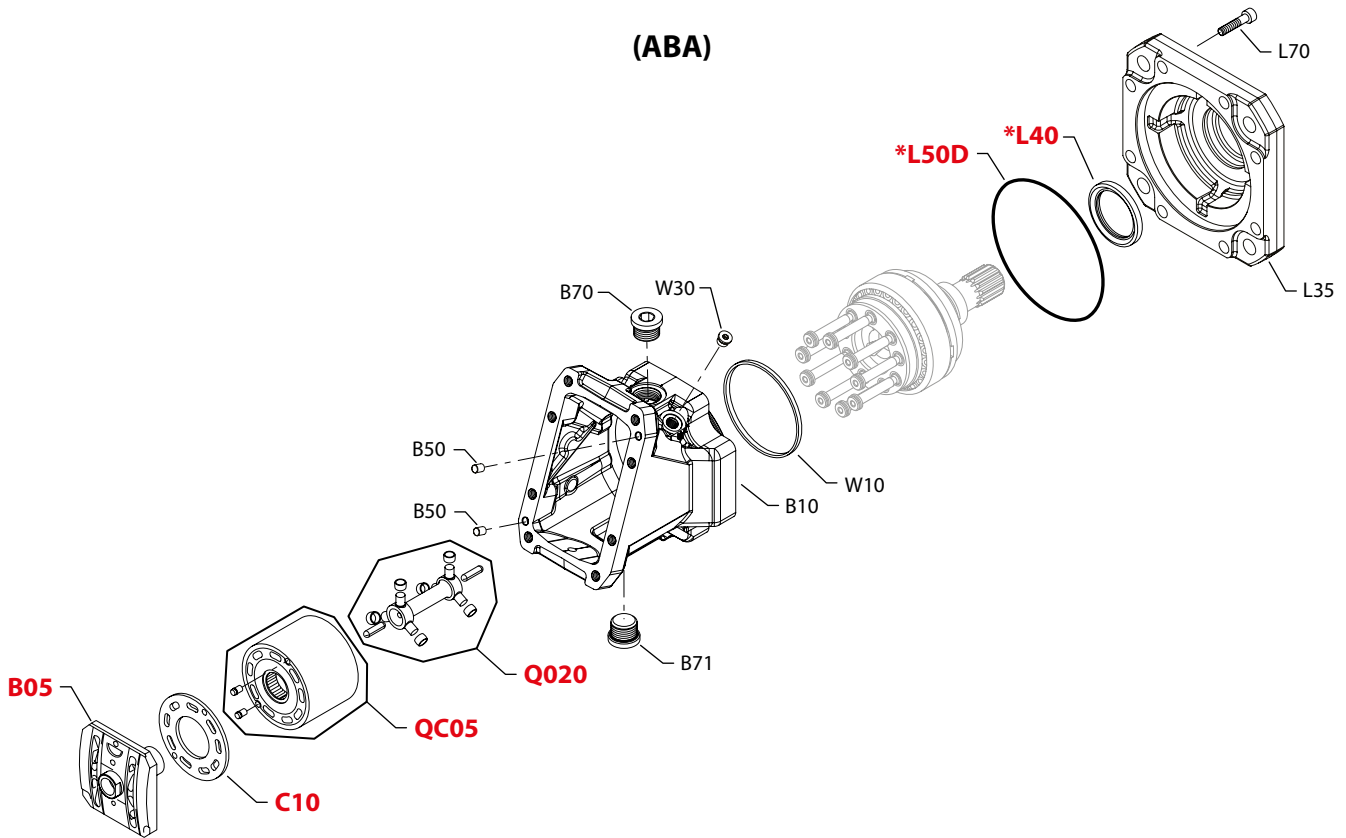

Variable Displacement Motor
Special hardware, cartridge flange

| Order code | Item | Date begin | Date end | Part number | Part name | Qty. per model/kit |
|-------------------|-------------|-------------------|-----------------|-----------------------|-----------------------------------|---------------------------|
| AWB | B10 | 95-40 | | 519235 | Housing with speed sensor port | 1 |
| | QW30 | 95-40 | | 085043 (9004201-3700) | O-ring | 1 |
| | W10 | 95-40 | | 11132980 | Speed ring | 1 |
| | W30 | 95-40 | | KPPG356 | Speed sensor | 1 |
| | W37 | 95-40 | | 395822 (9007315-0603) | Screw | 1 |
| AWD | B10 | 04-51 | | 519235 | Housing without speed sensor port | 1 |
| | QW30 | 04-51 | | 085043 (9004201-3700) | O-ring | 1 |
| | W10 | 04-51 | | 11132980 | Speed ring | 1 |
| | W30 | 04-51 | | KPPG36708B | Speed sensor | 1 |
| | W37 | 04-51 | | 395822 (9007315-0603) | Screw | 1 |
| DDH | B10 | 08-04 | | 505526 | Housing without speed sensor port | 1 |
| NNN | B10 | 92-07 | | 505526 | Housing without speed sensor port | 1 |

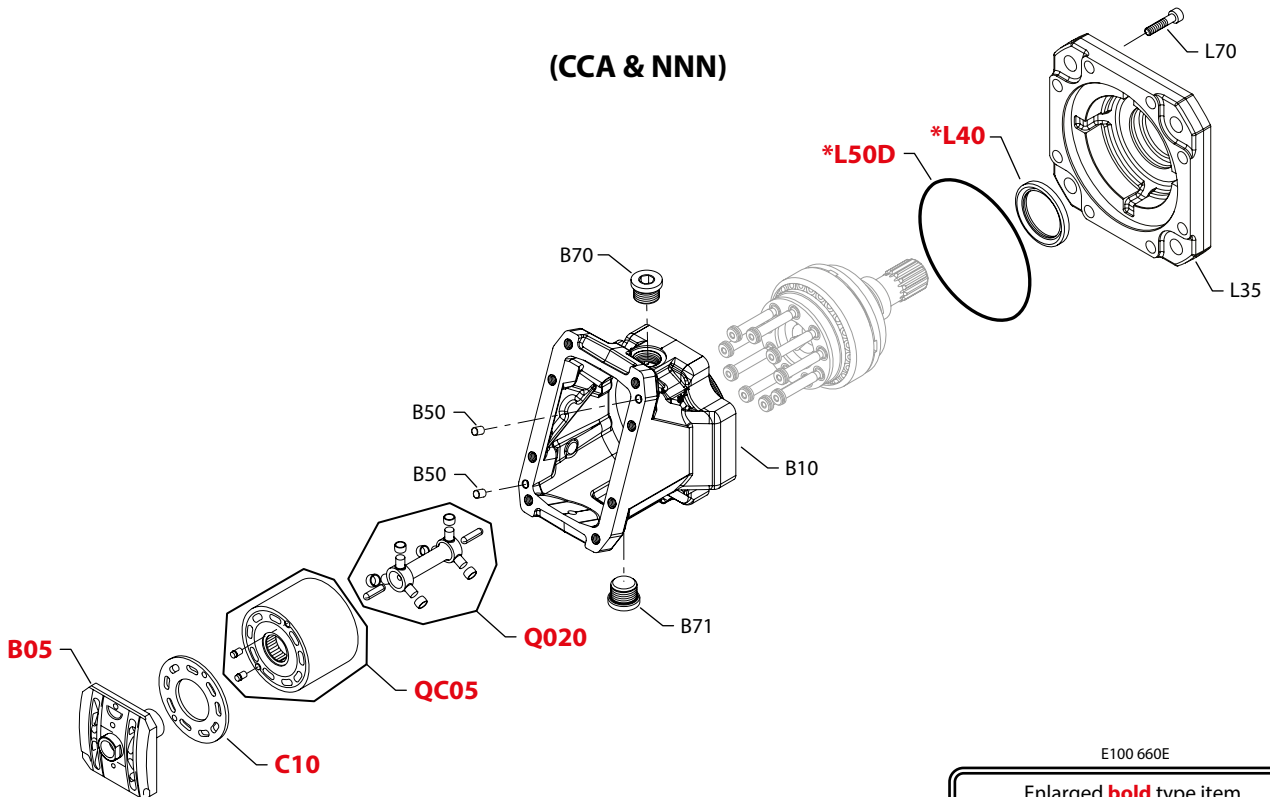


Variable Displacement Motor

(ABA)



(CCA & NNN)



E100 660E

* = included in base motor seal kit Q210

Enlarged **bold** type item numbers are recommended part to stock for servicing.


Variable Displacement Motor
DIN flange common parts

| Order code | Item | Date begin | Date end | Part number | Part name | Qty. per model/kit |
|------------|------|------------|----------|-----------------------|---|--------------------|
| D | B05 | 92-01 | | 508197 | Valve segment (SB-1996-005 & SB-1997-030) | 1 |
| | B50 | 92-01 | | 001289 (9004800-3708) | Pin | 2 |
| | B70 | 92-01 | | 664524 (9005110-9000) | Plug assembly | 1 |
| | B71 | 92-01 | | 664524 (9005110-9000) | Plug assembly | 1 |
| | C10 | 92-01 | | 515366 | Bearing plate | 1 |
| | L35 | 92-01 | | 520314 | Flange, DIN (SB-2005-012) | 1 |
| | L40 | 06-14 | | 519021 | Lip seal (SB-2005-012) | 1 |
| | L40 | 92-01 | 06-13 | 673525 (9008000-0114) | Lip seal | 1 |
| | L50D | 92-01 | | 767962 | O-ring | 1 |
| | L70 | 92-01 | | 506969 | Screw | 8 |
| | QC05 | 92-01 | | 732719 | Cylinder block assembly | 1 |
| | Q020 | 92-01 | | 517308 | Synch shaft kit (SB-2001-015) | 1 |

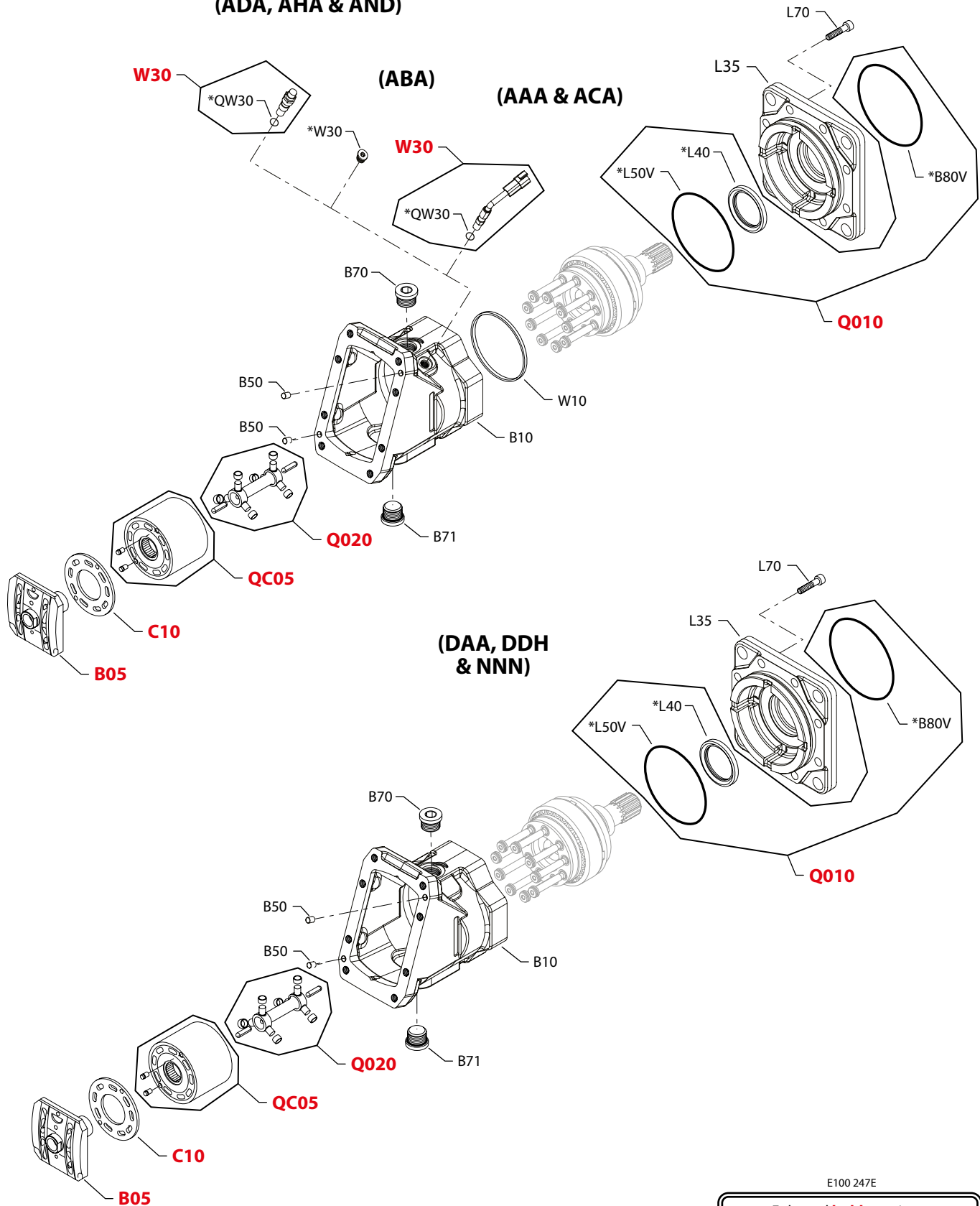
Special hardware, DIN flange

| | | | | | | |
|-----|-----|-------|--|----------|-----------------------------------|---|
| ABA | B10 | 92-07 | | 504577 | Housing with speed sensor port | 1 |
| | W10 | 92-07 | | 11132980 | Speed ring | 1 |
| | W30 | 92-07 | | 140644 | Plug assembly | 1 |
| CCA | B10 | 05-33 | | 776013 | Housing without speed sensor port | 1 |
| NNN | B10 | 92-07 | | 776013 | Housing without speed sensor port | 1 |



Variable Displacement Motor

(ADA, AHA & AND)



E100 247E

* = included in base motor seal kit Q210

Enlarged **bold** type item numbers are recommended part to stock for servicing.


Variable Displacement Motor
SAE flange common parts

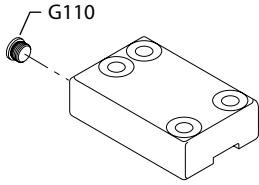
| Order code | Item | Date begin | Date end | Part number | Part name | Qty. per model/kit |
|------------|------|------------|----------|-----------------------|---|--------------------|
| V | B05 | 92-07 | | 508197 | Valve segment (SB-1996-005 & SB-1997-030) | 1 |
| | B50 | 92-07 | | 001289 (9004800-3708) | Pin | 2 |
| | B70 | 92-07 | | 664524 (9005110-9000) | Plug assembly | 1 |
| | B71 | 92-07 | | 664524 (9005110-9000) | Plug assembly | 1 |
| | B80V | 92-07 | | 930511 | O-ring | 1 |
| | C10 | 92-07 | | 515366 | Bearing plate | 1 |
| | L35 | 92-07 | | 520318 | Flange, SAE (SB-2005-012) | 1 |
| | L40 | 06-14 | | 519021 | Lip seal (SB-2005-012) | 1 |
| | L40 | 92-07 | 06-13 | 673525 (9008000-0114) | Lip seal | 1 |
| | L50V | 92-07 | | 917088 | O-ring | 1 |
| | L70 | 92-07 | | 506969 | Screw | 8 |
| | QC05 | 92-07 | | 732719 | Cylinder block assembly | 1 |
| | Q010 | 92-07 | | 771618 | Shaft seal kit | 1 |
| | Q020 | 92-07 | | 517308 | Synch shaft kit (SB-2001-015) | 1 |

Special hardware

| | | | | | | |
|-----|------|-------|--|-----------------------|-----------------------------------|---|
| AAA | B10 | 93-35 | | 504575 | Housing with speed sensor port | 1 |
| | QW30 | 93-35 | | 085043 (9004201-3700) | O-ring | 1 |
| | W10 | 93.35 | | 11132980 | Speed ring | 1 |
| | W30 | 93-35 | | KPPG12508 | Speed sensor assembly | 1 |
| ABA | B10 | 95-51 | | 504575 | Housing with speed sensor port | 1 |
| | W10 | 95-51 | | 11132980 | Speed ring | 1 |
| | W30 | 95-51 | | 140644 | Plug assembly | 1 |
| ACA | B10 | 94-04 | | 504575 | Housing with speed sensor port | 1 |
| | QW30 | 94-04 | | 085043 (9004201-3700) | O-ring | 1 |
| | W10 | 94-04 | | 11132980 | Speed ring | 1 |
| | W30 | 94-04 | | KPPG13408 | Speed sensor assembly | 1 |
| ADA | B10 | 94-12 | | 504575 | Housing with speed sensor port | 1 |
| | QW30 | 94-12 | | 085043 (9004201-3700) | O-ring | 1 |
| | W10 | 94-12 | | 11132980 | Speed ring | 1 |
| | W30 | 94-12 | | KPPG156 | Speed sensor assembly | 1 |
| AHA | B10 | 00-08 | | 504575 | Housing with speed sensor port | 1 |
| | QW30 | 00-08 | | 085043 (9004201-3700) | O-ring | 1 |
| | W10 | 00-08 | | 11132980 | Speed ring | 1 |
| | W30 | 00-08 | | KPPG166 | Speed sensor assembly | 1 |
| AND | B10 | 05-51 | | 504575 | Housing with speed sensor port | 1 |
| | QW30 | 05-51 | | 085043 (9004201-3700) | O-ring | 1 |
| | W10 | 05-51 | | 11132980 | Speed ring | 1 |
| | W30 | 05-51 | | KPPG166 | Speed sensor assembly | 1 |
| DAA | B10 | 04-41 | | 503875 | Housing without speed sensor port | 1 |
| DDH | B10 | 07-42 | | 503875 | Housing without speed sensor port | 1 |
| NNN | B10 | 92-07 | | 503875 | Housing without speed sensor port | 1 |

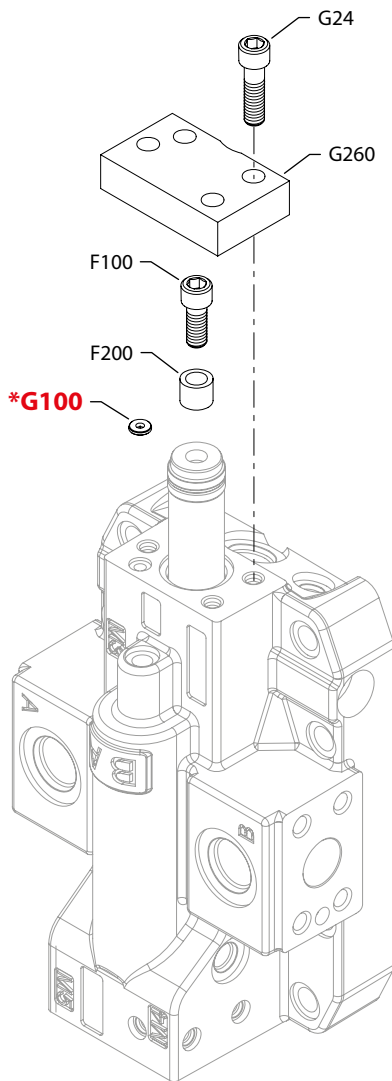


Variable Displacement Motor

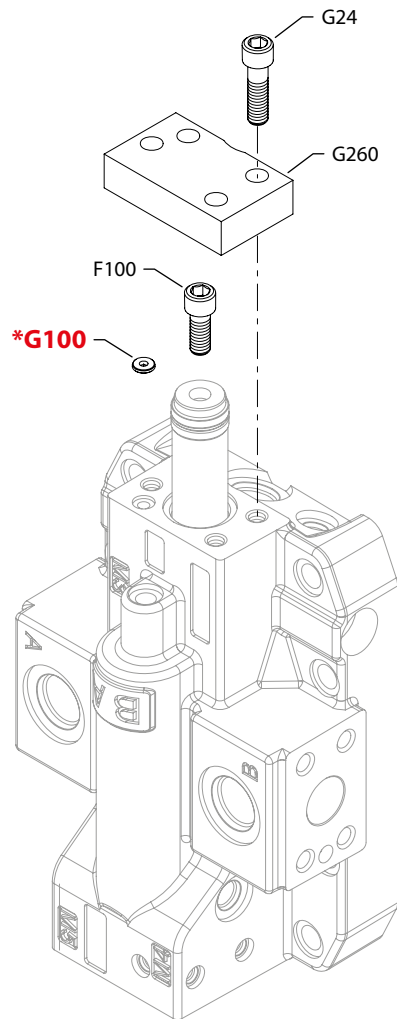


Prior to 03-39

(A, B, C, D, F & G)



(N)



E100 272E

* = included in base motor seal kit Q210

Enlarged **bold** type item numbers are recommended part to stock for servicing.


Variable Displacement Motor
Maximum displacement common parts

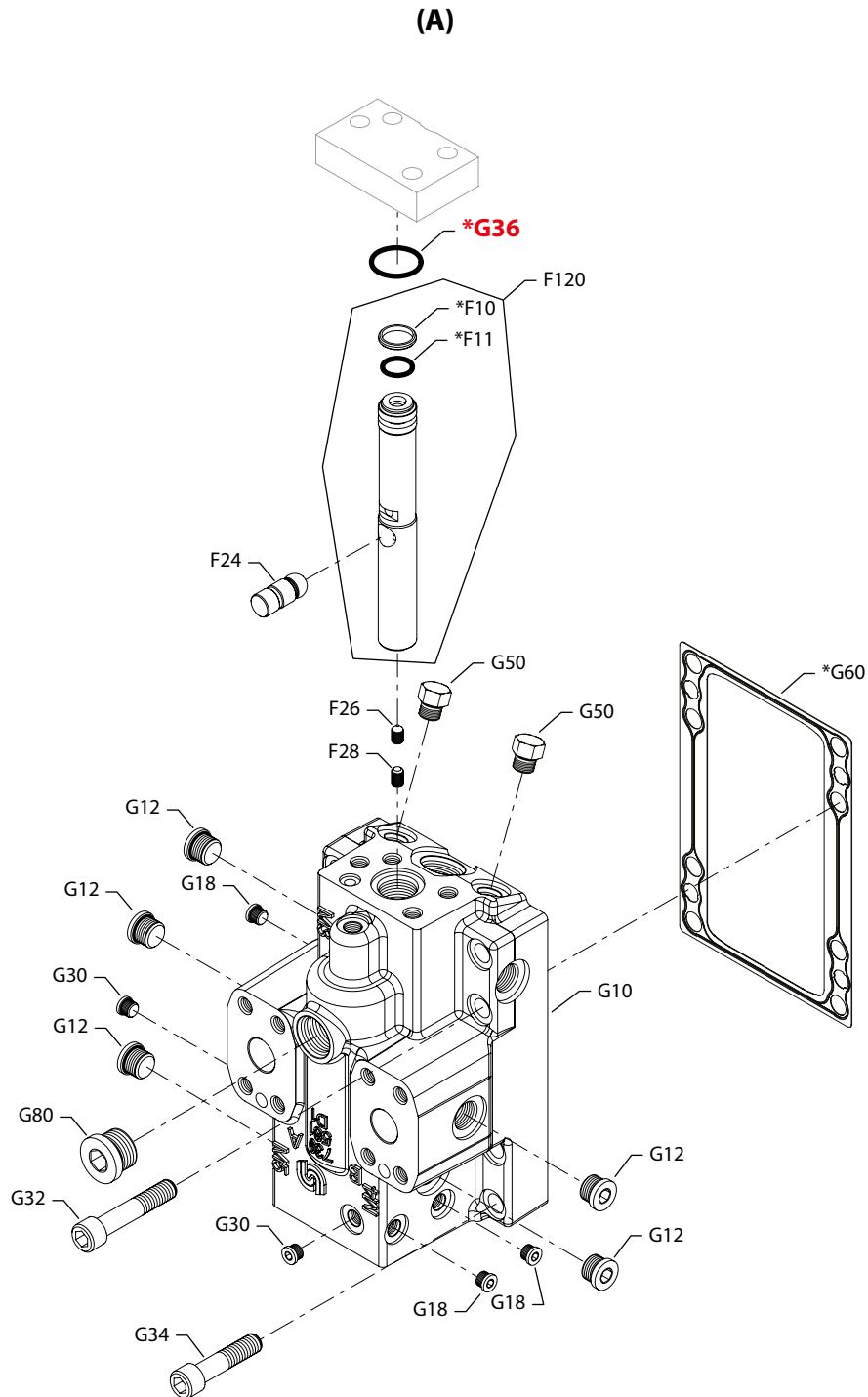
| Order code | Item | Date begin | Date end | Part number | Part name | Qty. per model/kit |
|------------|------|------------|----------|-----------------------|---------------------|--------------------|
| | G24 | 92-07 | | 727586 (9007314-1008) | Screw | 4 |
| | G100 | 92-07 | | 792739 | O-ring, rectangular | 1 |
| | G110 | 92-07 | 03-38 | 504519 | Plug assembly | 1 |
| | G260 | 92-07 | | 518364 | Cover | 1 |

Maximum displacement

| | | | | | | |
|---|------|-------|--|-----------------------|-------------------|---|
| A | F100 | 92-40 | | 506969 | Screw, M8 x 25 mm | 1 |
| | F200 | 92-40 | | 780890 | Spacer, 3.5 mm | 1 |
| B | F100 | 92-40 | | 506969 | Screw, M8 x 25 mm | 1 |
| | F200 | 92-40 | | 781948 | Spacer, 6.5 mm | 1 |
| C | F100 | 94-12 | | 746594 | Screw, M8 x 30 mm | 1 |
| | F200 | 94-12 | | 500088 | Spacer, 13 mm | 1 |
| D | F100 | 94-12 | | 746594 | Screw, M8 x 30 mm | 1 |
| | F200 | 94-12 | | 789594 | Spacer, 12.5 mm | 1 |
| F | F100 | 94-40 | | 124156 | Screw, M8 x 40 mm | 1 |
| | F200 | 94-40 | | 781906 | Spacer, 18.5 mm | 1 |
| G | F100 | 92-40 | | 124156 | Screw, M8 x 40 mm | 1 |
| | F200 | 92-40 | | 781922 | Spacer, 21.5 mm | 1 |
| N | F100 | 92-07 | | 395723 (9007315-0805) | Screw, M8 x 20 mm | 1 |



Variable Displacement Motor



* = included in base motor seal kit Q210

E100 319E
 Enlarged **bold** type item numbers are recommended part to stock for servicing.

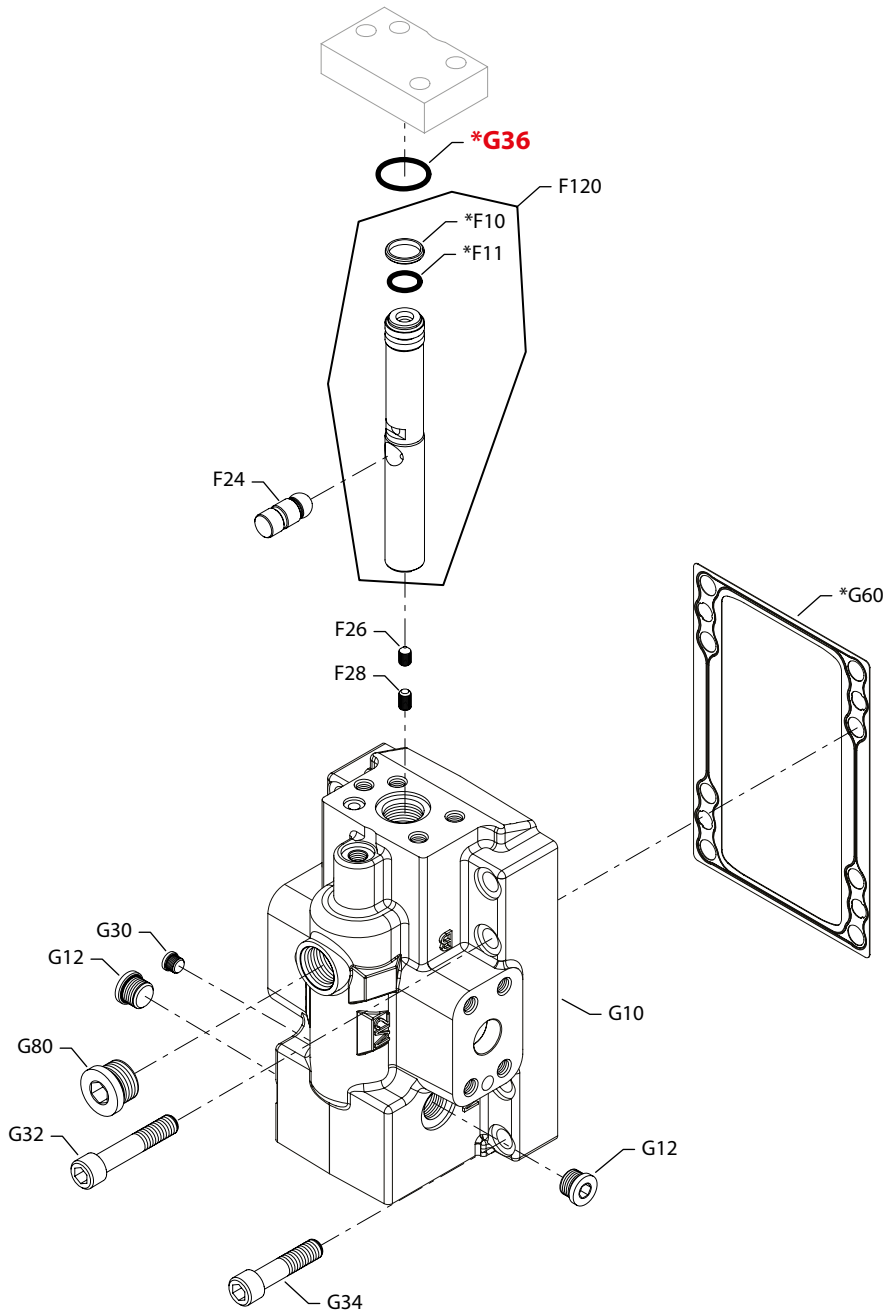

Variable Displacement Motor
End cap, axial ports

| Order code | Item | Date begin | Date end | Part number | Part name | Qty. per model/kit |
|------------|------|------------|----------|-----------------------|---|--------------------|
| A | F10 | 92-19 | | 508131 | Servo piston seal ring (SB-1997-009) | 1 |
| | F11 | 92-19 | | 015404 | O-ring | 1 |
| | F24 | 92-19 | | 511118 | Feedback lever | 1 |
| | F26 | 92-19 | | 733089 | Set screw | 1 |
| | F28 | 92-19 | | 010397 | Set screw | 1 |
| | F120 | 92-19 | | 510074 | Servo piston assembly | 1 |
| | G10 | 92-19 | | 515695 | End cap, axial ports (SB-1996-005, SB-2002-001) | 1 |
| | G12 | 95-13 | | 140644 | Plug assembly | 5 |
| | G12 | 92-19 | 95-12 | 515965 (9005110-5600) | Plug assembly | 7 |
| | G18 | 95-13 | | 11040532 | Plug assembly | 2 |
| | G18 | 92-19 | 95-12 | 092114 (9007712-0604) | Set screw | 2 |
| | G30 | 92-19 | | 11040532 | Plug assembly | 2 |
| | G32 | 92-19 | | 654053 | Screw | 4 |
| | G34 | 92-19 | | 672295 | Screw | 4 |
| | G36 | 92-19 | | 071878 (9004105-1190) | O-ring | 1 |
| | G50 | 92-19 | | 001511 (9005100-4400) | Plug assembly | 2 |
| | G60 | 92-19 | | 515733 | End cap gasket (SB-1993-006 & SB-2004-004) | 1 |
| | G80 | 92-19 | | 315325 (9005110-8700) | Plug assembly | 1 |



Variable Displacement Motor

(G)



* = included in base motor seal kit Q210

E103 122E
 Enlarged **bold** type item numbers are recommended part to stock for servicing.

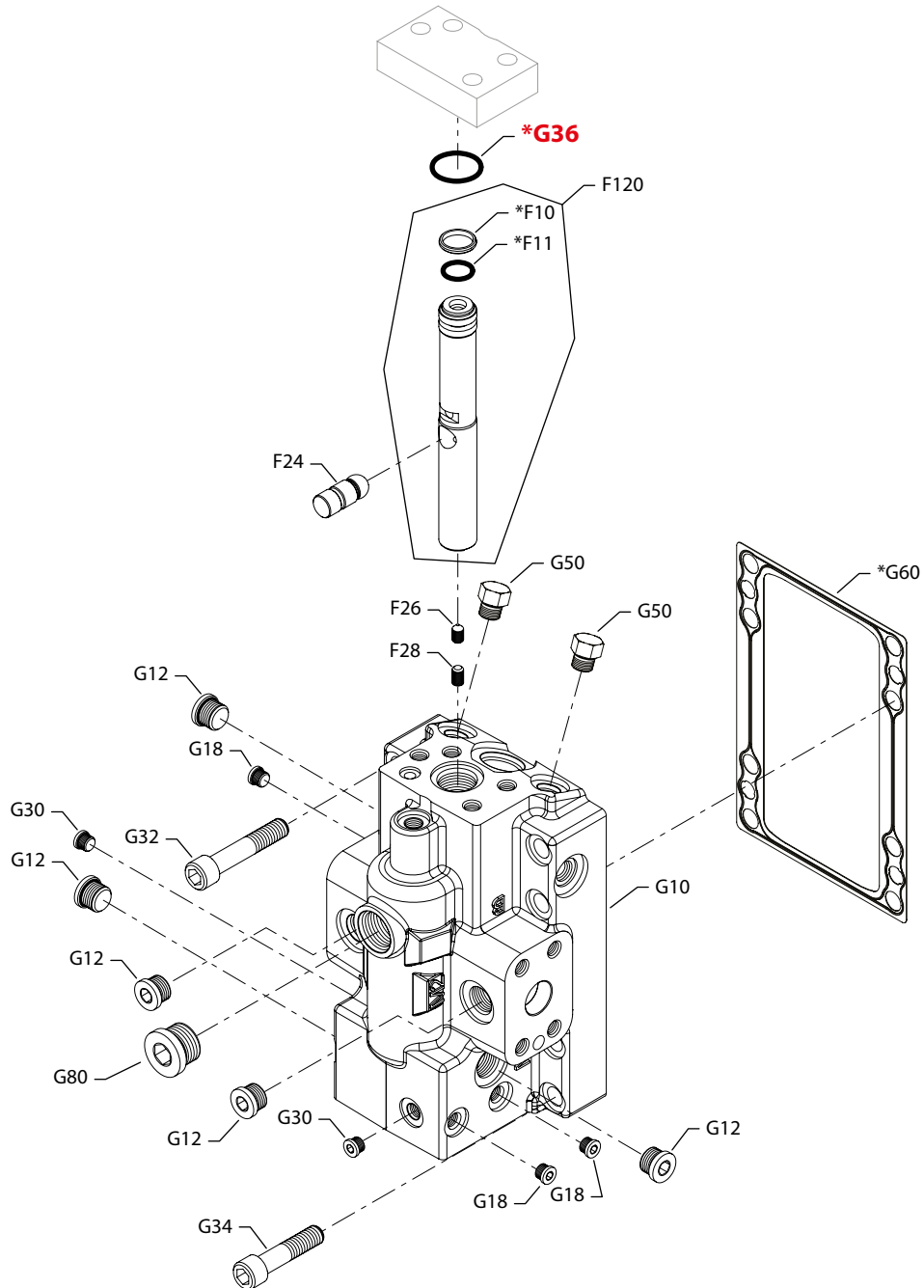

Variable Displacement Motor
End cap, side ports

| Order code | Item | Date begin | Date end | Part number | Part name | Qty. per model/kit |
|------------|------|------------|----------|-----------------------|--|--------------------|
| G | F10 | 96-04 | | 508131 | Servo piston seal ring (SB-1997-009) | 1 |
| | F11 | 96-04 | | 015404 | O-ring | 1 |
| | F24 | 96-04 | | 511118 | Feedback lever | 1 |
| | F26 | 96-04 | | 733089 | Set screw | 1 |
| | F28 | 96-04 | | 010397 | Set screw | 1 |
| | F120 | 96-04 | | 510074 | Servo piston assembly | 1 |
| | G10 | 96-04 | | 508159 | End cap, side ports | 1 |
| | G12 | 96-04 | | 140644 | Plug assembly | 2 |
| | G32 | 96-04 | | 654053 | Screw | 4 |
| | G34 | 96-04 | | 672295 | Screw | 4 |
| | G36 | 96-04 | | 071878 (9004105-1190) | O-ring | 2 |
| | G60 | 96-04 | | 515733 | End cap gasket (SB-1993-006 & SB-2004-004) | 1 |
| | G80 | 96-04 | | 315325 (9005110-8700) | Plug assembly | 1 |



Variable Displacement Motor

(R & V)



* = included in base motor seal kit Q210

E100 321E
 Enlarged **bold** type item numbers are recommended part to stock for servicing.

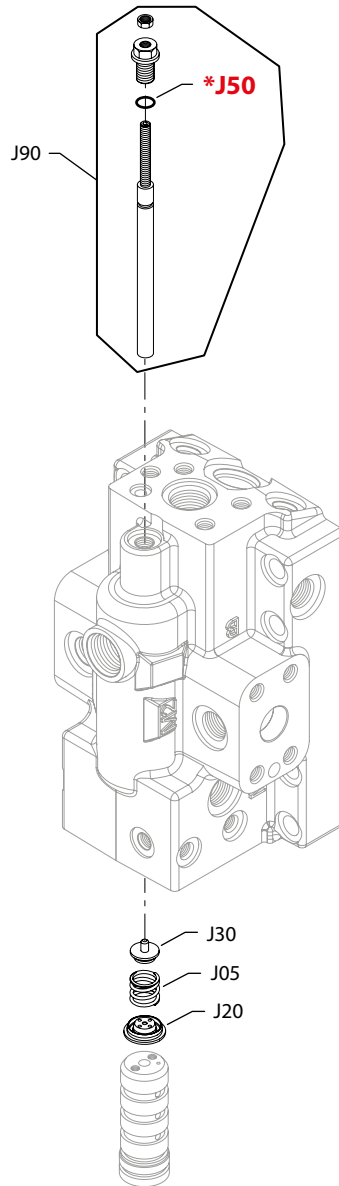

Variable Displacement Motor
End cap, side ports

| Order code | Item | Date begin | Date end | Part number | Part name | Qty. per model/kit |
|------------|------|------------|----------|-----------------------|--|------------------------|
| R | F10 | 92-07 | | 508131 | Servo piston seal ring (SB-1997-009) | 1 |
| | F11 | 92-07 | | 015404 | O-ring | 1 |
| | F12 | 92-07 | 92-18 | 358580 | Servo piston | 1 |
| | F24 | 92-07 | | 511118 | Feedback lever | 1 |
| | F26 | 92-07 | | 733089 | Set screw | 1 |
| | F28 | 92-07 | | 010397 | Set screw | 1 |
| | F120 | 92-19 | | 510074 | Servo piston assembly | 1 |
| | G10 | 92-07 | | 516057 | End cap, side ports (SB-1996-005, SB-2002-001) | 1 |
| | G12 | 95-13 | | 140644 | Plug assembly | 5 |
| | G12 | 92-07 | 95-12 | 515965 (9005110-5600) | Plug assembly | 7 |
| | G18 | 95-13 | | 11040532 | Plug assembly | 3 |
| | G18 | 92-07 | 95-12 | 092114 (9007712-0604) | Set screw | 2 |
| | G30 | 92-07 | | 11040532 | Plug assembly | 2 |
| | G32 | 92-07 | | 654053 | Screw | 4 |
| | G34 | 92-07 | | 672295 | Screw | 4 |
| | G36 | 92-07 | | 071878 (9004105-1190) | O-ring | 1 |
| | G50 | 92-07 | | 001511 (9005100-4400) | Plug assembly | 2 |
| | G60 | 92-07 | | 515733 | End cap gasket (SB-1993-006 & SB-2004-004) | 1 |
| | G80 | 92-07 | | 315325 (9005110-8700) | Plug assembly | 1 |
| | V | F10 | 01-01 | | 508131 | Servo piston seal ring |
| F11 | | 01-01 | | 015404 | O-ring | 1 |
| F24 | | 01-01 | | 511118 | Feedback lever | 1 |
| F26 | | 01-01 | | 733089 | Set screw | 1 |
| F28 | | 01-01 | | 010397 | Set screw | 1 |
| F120 | | 01-01 | | 510074 | Servo piston assembly | 1 |
| G10 | | 01-01 | | 519526 | End cap, side ports (SB-2002-001) | 1 |
| G12 | | 01-01 | | 140644 | Plug assembly | 5 |
| G18 | | 01-01 | | 11040532 | Plug assembly | 3 |
| G30 | | 01-01 | | 11040532 | Plug assembly | 2 |
| G32 | | 01-01 | | 654053 | Screw | 4 |
| G34 | | 01-01 | | 672295 | Screw | 4 |
| G36 | | 01-01 | | 071878 (9004105-1190) | O-ring | 1 |
| G50 | | 01-01 | | 001511 (9005100-4400) | Plug assembly | 2 |
| G60 | | 01-01 | | 515733 | End cap gasket (SB-1993-006 & SB-2004-004) | 1 |
| G80 | | 01-01 | | 315325 (9005110-8700) | Plug assembly | 1 |



Variable Displacement Motor

(A, B, C, D, G, H, J, K, L,
P, R, S, V & W)



* = included in base motor seal kit Q210

E100 299E

Enlarged **bold** type item numbers are recommended part to stock for servicing.


Variable Displacement Motor
Threshold/range common parts

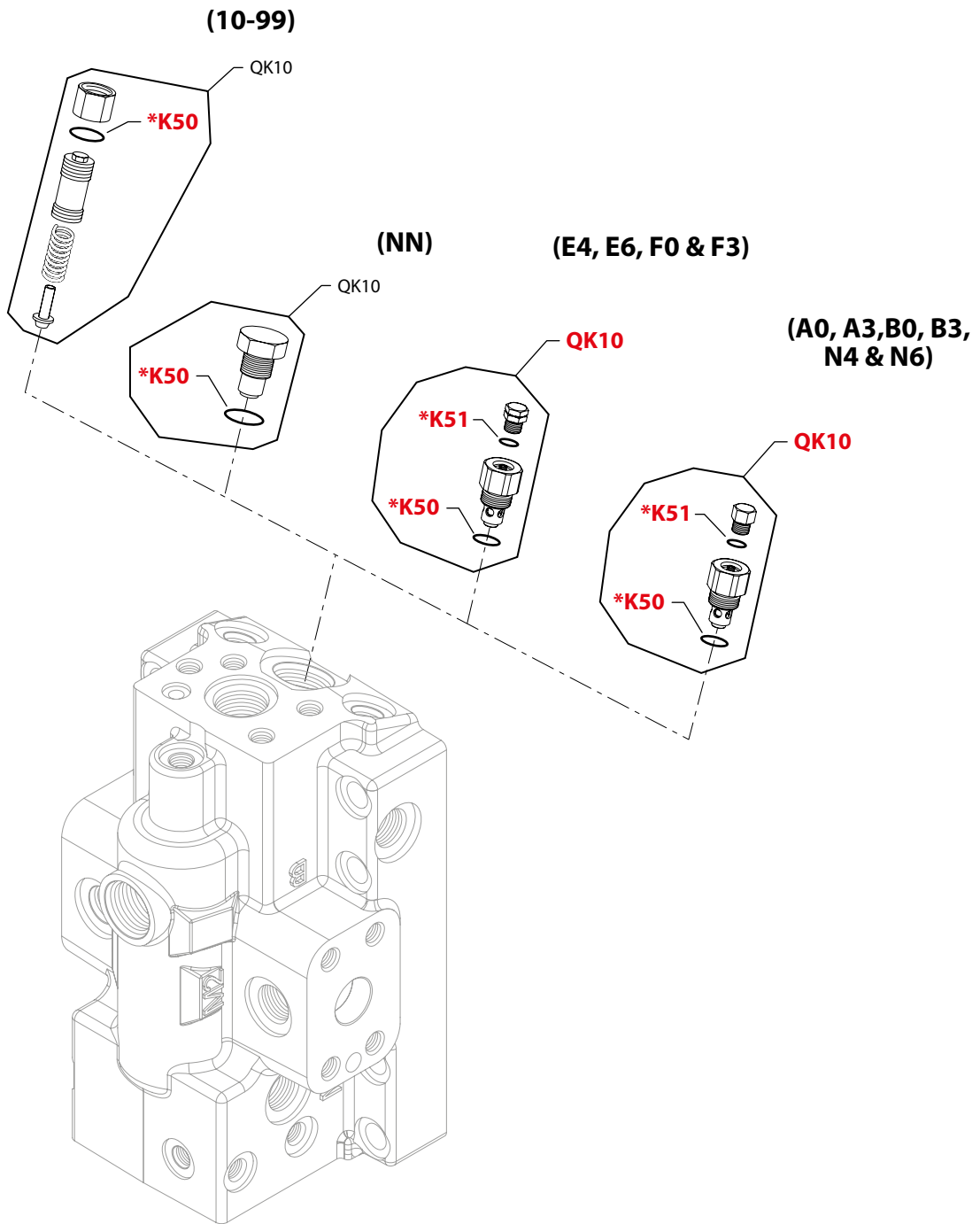
| Order code | Item | Date begin | Date end | Part number | Part name | Qty. per model/kit |
|------------|------|------------|----------|-----------------------|---|--------------------|
| | J20 | 92-07 | | 11036824 | Spring seat | 1 |
| | J30 | 96-07 | | 507670 | Spring seat (SB-1995-013) | 1 |
| | J50 | 92-07 | | 732479 (9004105-0100) | O-ring | 1 |
| | J90 | 96-07 | | 507675 | Threshold adjustment screw assembly (SB-1995-013) | 1 |

Threshold/range

| | | | | | | |
|-----------------|-----|-------|--|----------|--------|---|
| A | J05 | 92-07 | | 507638 | Spring | 1 |
| (2-5 bar) | | | | | | |
| B | J05 | 92-07 | | 722215 | Spring | 1 |
| (6-12 bar) | | | | | | |
| C | J05 | 92-07 | | 722207 | Spring | 1 |
| (13-30 bar) | | | | | | |
| D | J05 | 92-07 | | 722207 | Spring | 1 |
| (20-30 bar) | | | | | | |
| G | J05 | 92-07 | | 722207 | Spring | 1 |
| (3-5 bar) | | | | | | |
| H | J05 | 92-07 | | 722207 | Spring | 1 |
| (6-8 bar) | | | | | | |
| J | J05 | 92-07 | | 722215 | Spring | 1 |
| (15-50 mA) | | | | | | |
| K | J05 | 92-07 | | 722207 | Spring | 1 |
| (51-85 mA) | | | | | | |
| L | J05 | 92-07 | | 722215 | Spring | 1 |
| (110-370 mA) | | | | | | |
| N | | | | No parts | | |
| (no adjustment) | | | | | | |
| P | J05 | 95-24 | | 722215 | Spring | 1 |
| (no adjustment) | | | | | | |
| R | J05 | 99-35 | | 507638 | Spring | 1 |
| (320 mA) | | | | | | |
| S | J05 | 99-35 | | 507638 | Spring | 1 |
| (640 mA) | | | | | | |
| V | J05 | 95-35 | | 507638 | Spring | 1 |
| (220 mA) | | | | | | |
| W | J05 | 97-41 | | 507638 | Spring | 1 |
| (440 mA) | | | | | | |



Variable Displacement Motor



E100 255E

* = included in base motor seal kit Q210

Enlarged **bold** type item numbers are recommended part to stock for servicing.

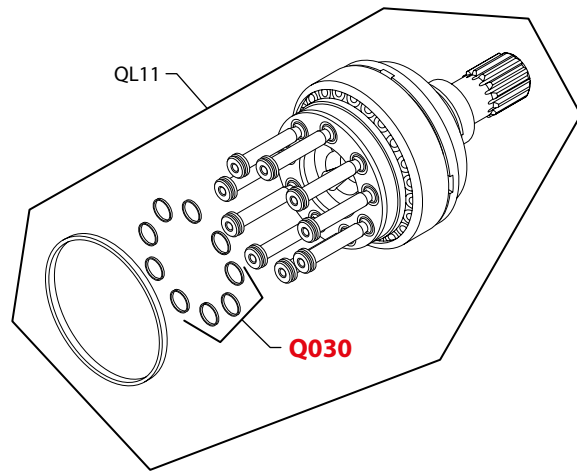
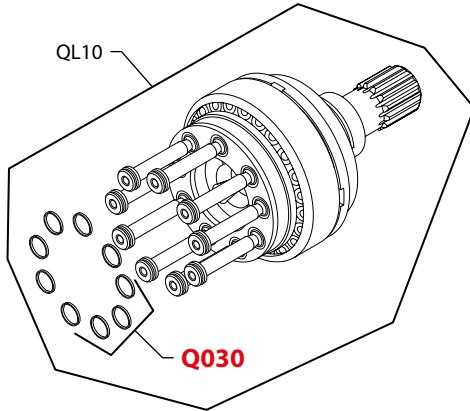

Variable Displacement Motor
Charge pressure relief

| Order code | Item | Date begin | Date end | Part number | Part name | Qty. per model/kit |
|------------|------|------------|----------|-----------------------|---------------------------------|--------------------|
| 00 | | 92-07 | 01-18 | None | | |
| 10-99 | K50 | 92-07 | 01-17 | 001149 (9004201-6200) | O-ring | 1 |
| | QK10 | 92-07 | 01-17 | 8510012 | Charge relief valve kit | 1 |
| A0 | K50 | 97-25 | | 001149 (9004201-6200) | O-ring | 1 |
| | K51 | 97-25 | | 085043 (9004201-3700) | O-ring | 1 |
| | QK10 | 97-25 | | 8510253 | Cartridge kit, 13 bar, 11 l/min | 1 |
| A3 | K50 | 97-25 | | 001149 (9004201-6200) | O-ring | 1 |
| | K51 | 97-25 | | 085043 (9004201-3700) | O-ring | 1 |
| | QK10 | 97-25 | | 8510256 | Cartridge kit, 13 bar, 16 l/min | 1 |
| B0 | K50 | 97-25 | | 001149 (9004201-6200) | O-ring | 1 |
| | K51 | 97-25 | | 085043 (9004201-3700) | O-ring | 1 |
| | QK10 | 97-25 | | 11020552 | Cartridge kit, 13 bar, 22 l/min | 1 |
| B3 | K50 | 97-25 | | 001149 (9004201-6200) | O-ring | 1 |
| | K51 | 97-25 | | 085043 (9004201-3700) | O-ring | 1 |
| | QK10 | 97-25 | | 8510243 | Cartridge kit, 13 bar, 27 l/min | 1 |
| E4 | K50 | 97-25 | | 001149 (9004201-6200) | O-ring | 1 |
| | K51 | 97-25 | | 085043 (9004201-3700) | O-ring | 1 |
| | QK10 | 97-25 | | 8510261 | Cartridge kit, 16 bar, 4 l/min | 1 |
| E6 | K50 | 97-25 | | 001149 (9004201-6200) | O-ring | 1 |
| | K51 | 97-25 | | 085043 (9004201-3700) | O-ring | 1 |
| | QK10 | 97-25 | | 8510252 | Cartridge kit, 16 bar, 7 l/min | 1 |
| F0 | K50 | 97-25 | | 001149 (9004201-6200) | O-ring | 1 |
| | K51 | 97-25 | | 085043 (9004201-3700) | O-ring | 1 |
| | QK10 | 97-25 | | 8510259 | Cartridge kit, 16 bar, 11 l/min | 1 |
| F3 | K50 | 97-25 | | 001149 (9004201-6200) | O-ring | 1 |
| | K51 | 97-25 | | 085043 (9004201-3700) | O-ring | 1 |
| | QK10 | 97-25 | | 8510262 | Cartridge kit, 16 bar, 16 l/min | 1 |
| N4 | K50 | 97-25 | | 001149 (9004201-6200) | O-ring | 1 |
| | K51 | 97-25 | | 085043 (9004201-3700) | O-ring | 1 |
| | QK10 | 97-25 | | 8510255 | Cartridge kit, 13 bar, 4 l/min | 1 |
| N6 | K50 | 97-25 | | 001149 (9004201-6200) | O-ring | 1 |
| | K51 | 97-25 | | 085043 (9004201-3700) | O-ring | 1 |
| | QK10 | 97-25 | | 11097072 | Cartridge kit, 13 bar, 7 l/min | 1 |
| NN | K50 | 97-25 | | 001149 (9004201-6200) | O-ring | 1 |
| | QK10 | 97-25 | | 11097045 | Loop flushing defeated kit | 1 |



Variable Displacement Motor

(C6, D1, D2 & S1)



E100 663E

Enlarged **bold** type item numbers are recommended part to stock for servicing.

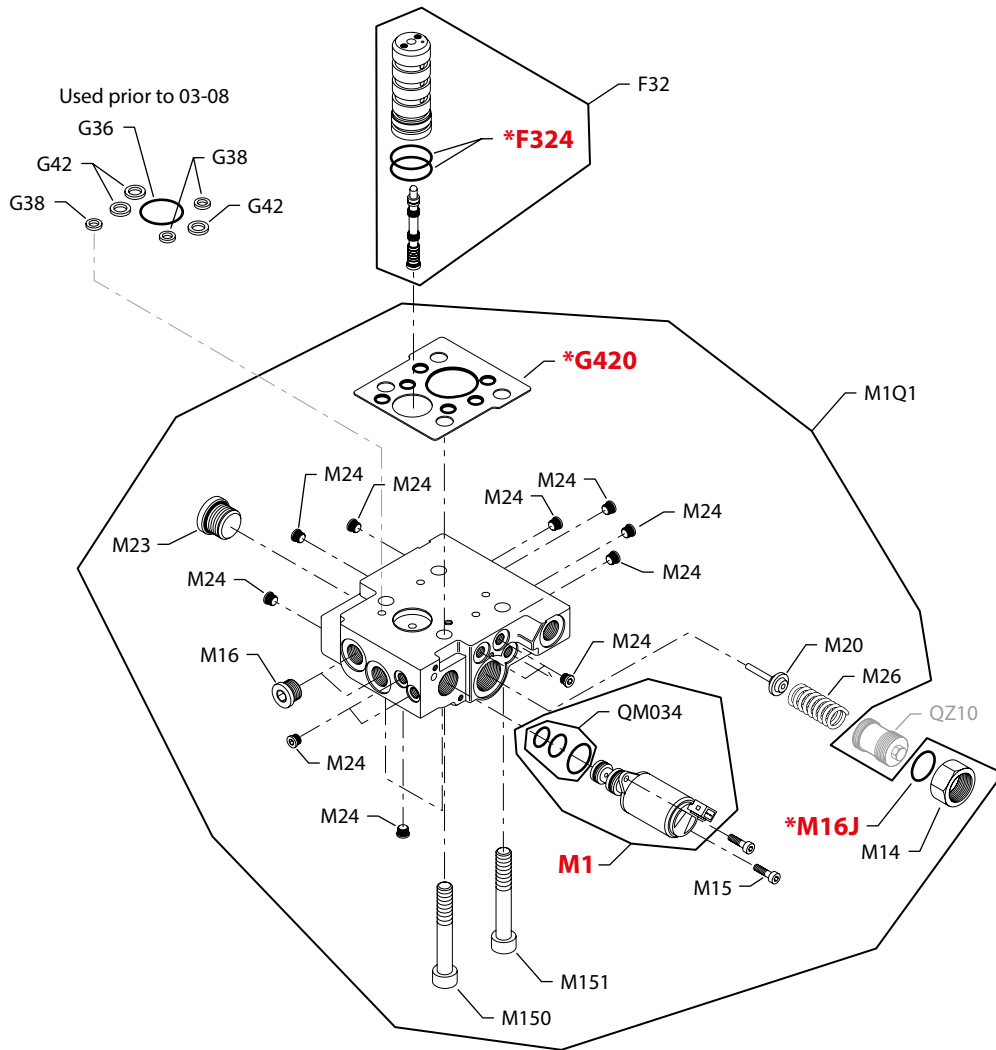

Variable Displacement Motor
Shaft

| Order code | Item | Date begin | Date end | Part number | Part name | Qty. per model/kit |
|------------|------|------------|----------|-------------|--|--------------------|
| C6 | QL10 | 92-07 | | 11100425 | Shaft, 21 tooth spline without speed ring | 1 |
| | QL11 | 92-07 | | 11100426 | Shaft, 21 tooth spline with speed ring | 1 |
| | Q030 | 92-07 | | 11100632 | Piston ring kit | 1 |
| D1 | QL10 | 92-07 | | 11100443 | Shaft, 14 t. spline without speed ring (SB-1999-059) | 1 |
| | QL11 | 92-07 | | 11100444 | Shaft, 14 tooth spline with speed ring (SB-1999-059) | 1 |
| | Q030 | 92-07 | | 11100632 | Piston ring kit | 1 |
| D2 | QL10 | 92-07 | | 11100447 | Shaft, 16 tooth without speed ring (SB-1999-059) | 1 |
| | QL11 | 92-07 | | 11100448 | Shaft, 16 tooth with speed ring (SB-1999-059) | 1 |
| | Q030 | 92-07 | | 11100632 | Piston ring kit | 1 |
| S1 | QL10 | 92-07 | | 11100478 | Shaft, 14 tooth spline without speed ring | 1 |
| | QL11 | 92-07 | | 11100479 | Shaft, 14 tooth spline with speed ring | 1 |
| | Q030 | 92-07 | | 11100632 | Piston ring kit | 1 |



Variable Displacement Motor

(D7 & D8)



E100 655E

* = included in base motor seal kit QZ10

Enlarged **bold** type item numbers are recommended part to stock for servicing.

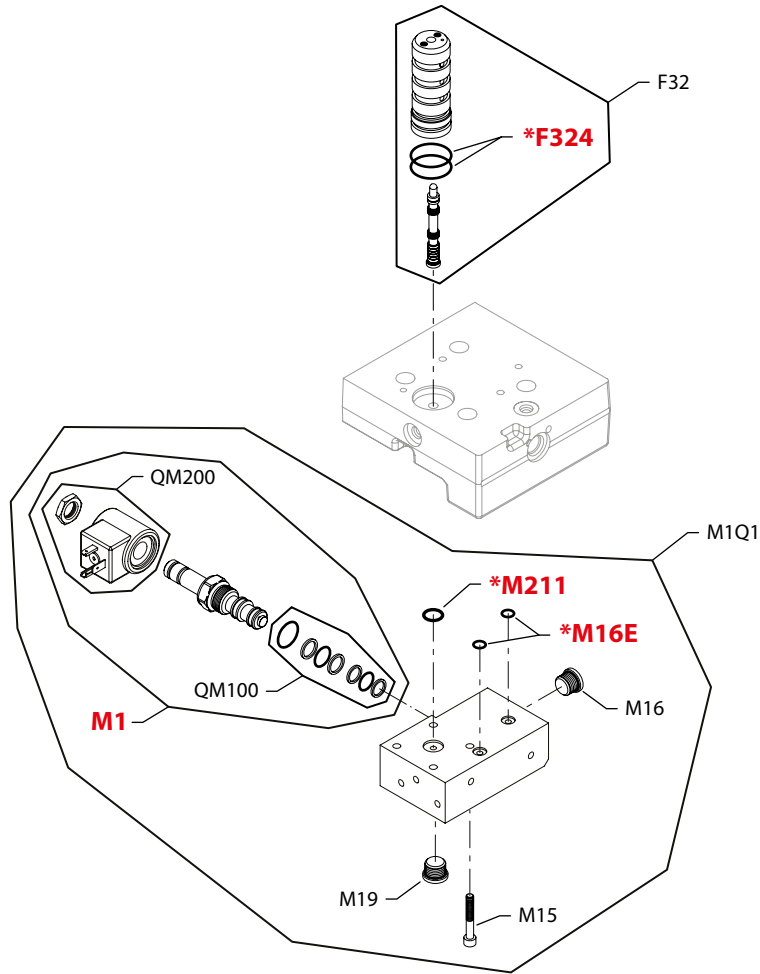

Variable Displacement Motor
Electric proportional

| Order code | Item | Date begin | Date end | Part number | Part name | Qty. per model/kit |
|------------|-------|------------|----------|-----------------------|--|--------------------|
| D7 | F32 | 99-35 | | 727115 | 4-way valve assembly | 1 |
| | F324 | 99-35 | | 730036 | O-ring | 2 |
| | G36 | 99-35 | 03-07 | 364968 | O-ring (SB-2002-001) | 1 |
| | G38 | 99-35 | 03-07 | 792739 | O-ring (SB-2002-001) | 3 |
| | G42 | 99-35 | 03-07 | 754580 | O-ring (SB-2002-001) | 3 |
| | G420 | 03-08 | | 511810 | Gasket/O-ring seal (SB-2002-001) | 1 |
| | M1 | 99-35 | | 518080 | Solenoid valve, 12 volt, Jet connector | 1 |
| | M1Q1 | 99-35 | | 518257 | Control kit, 12 volt, Jet connector | 1 |
| | M14 | 99-35 | | 342709 | Nut | 1 |
| | M15 | 99-35 | | 067694 | Screw | 2 |
| | M16 | 99-35 | | 140644 | Plug assembly | 2 |
| | M16J | 99-35 | | 001149 (9004201-6200) | O-ring | 1 |
| | M20 | 99-35 | | 501876 | PCOR spool | 1 |
| | M23 | 99-35 | | 315325 | Plug assembly | 1 |
| | M24 | 99-35 | | 11040532 | Plug | 15 |
| | M26 | 99-35 | | 509152 | Spring | 1 |
| | M150 | 99-35 | | 739664 | Screw | 2 |
| | M151 | 99-35 | | 680686 | Screw | 2 |
| | QM034 | 99-35 | | 11099849 | Solenoid valve seal kit | 1 |
| D8 | F32 | 99-35 | | 727115 | 4-way valve assembly | 1 |
| | F324 | 99-35 | | 730036 | O-ring | 2 |
| | G36 | 99-35 | 03-07 | 364968 | O-ring (SB-2002-001) | 1 |
| | G38 | 99-35 | 03-07 | 792739 | O-ring (SB-2002-001) | 3 |
| | G42 | 99-35 | 03-07 | 754580 | O-ring (SB-2002-001) | 3 |
| | G420 | 03-08 | | 511810 | Gasket/O-ring seal (SB-2002-001) | 1 |
| | M1 | 99-35 | | 518081 | Solenoid valve, 24 volt, Jet connector | 1 |
| | M1Q1 | 99-35 | | 518256 | Control kit, 24 volt, Jet connector | 1 |
| | M14 | 99-35 | | 342709 | Nut | 1 |
| | M15 | 99-35 | | 067694 | Screw | 2 |
| | M16 | 99-35 | | 140644 | Plug assembly | 2 |
| | M16J | 99-35 | | 001149 (9004201-6200) | O-ring | 1 |
| | M20 | 99-35 | | 501876 | PCOR spool | 1 |
| | M23 | 99-35 | | 315325 | Plug assembly | 1 |
| | M24 | 99-35 | | 11040532 | Plug | 15 |
| | M26 | 99-35 | | 509152 | Spring | 1 |
| | M150 | 99-35 | | 739664 | Screw | 2 |
| | M151 | 99-35 | | 680686 | Screw | 2 |
| | QM034 | 99-35 | | 11099849 | Solenoid valve seal kit | 1 |



Variable Displacement Motor

(E1 & E2)



E100 257E

* = included in base motor seal kit Q210

Enlarged **bold** type item numbers are recommended part to stock for servicing.

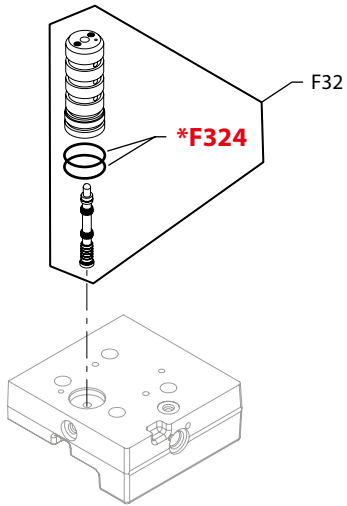

Variable Displacement Motor
Electric 2-position

| Order code | Item | Date begin | Date end | Part number | Part name | Qty. per model/kit |
|------------|-------|------------|----------|-----------------------|---|----------------------|
| E1 | F32 | 92-07 | | 727115 | 4-way valve assembly | 1 |
| | F324 | 92-07 | | 730036 | O-ring | 2 |
| | M1 | 92-07 | | 784942 | Solenoid valve, 12 volt, DIN connector | 1 |
| | M1Q1 | 92-07 | | 503618 | Control kit, 12 volt, DIN connector | 1 |
| | M15 | 92-07 | | 329599 | Screw | 4 |
| | M16 | 92-07 | | 140644 | Plug assembly | 1 |
| | M16E | 92-07 | | 732479 (9004105-0100) | O-ring | 2 |
| | M19 | 92-07 | | 140644 | Plug assembly | 1 |
| | M211 | 92-07 | | 365015 | O-ring | 1 |
| | QM100 | 92-07 | | 11146862 | Solenoid valve seal kit | 1 |
| | QM200 | 92-07 | | 11146863 | Coil kit, 12 volt, DIN connector | 1 |
| | E2 | F32 | 92-07 | | 727115 | 4-way valve assembly |
| F324 | | 92-07 | | 730036 | O-ring | 2 |
| M1 | | 92-07 | | 784934 | Solenoid valve, 24, volt, DIN connector | 1 |
| M1Q1 | | 92-07 | | 503617 | Control kit, 24 volt, DIN connector | 1 |
| M15 | | 92-07 | | 329599 | Screw | 4 |
| M16 | | 92-07 | | 140644 | Plug assembly | 1 |
| M16E | | 92-07 | | 732479 (9004105-0100) | O-ring | 2 |
| M19 | | 92-07 | | 140644 | Plug assembly | 1 |
| M211 | | 92-07 | | 365015 | O-ring | 1 |
| QM100 | | 92-07 | | 11146862 | Solenoid valve seal kit | 1 |
| QM200 | | 92-07 | | 11146864 | Coil kit, 24 volt, DIN connector | 1 |

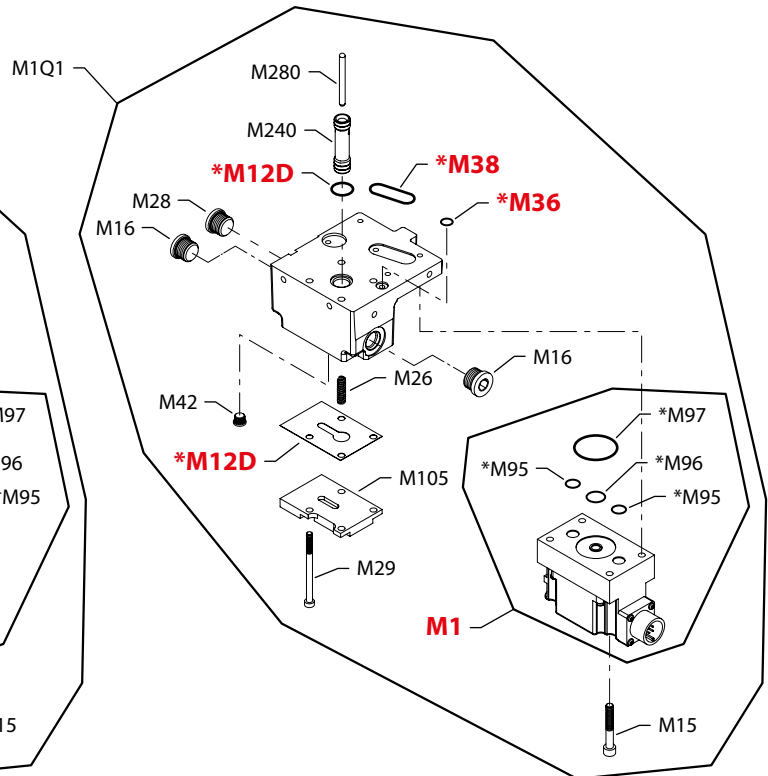
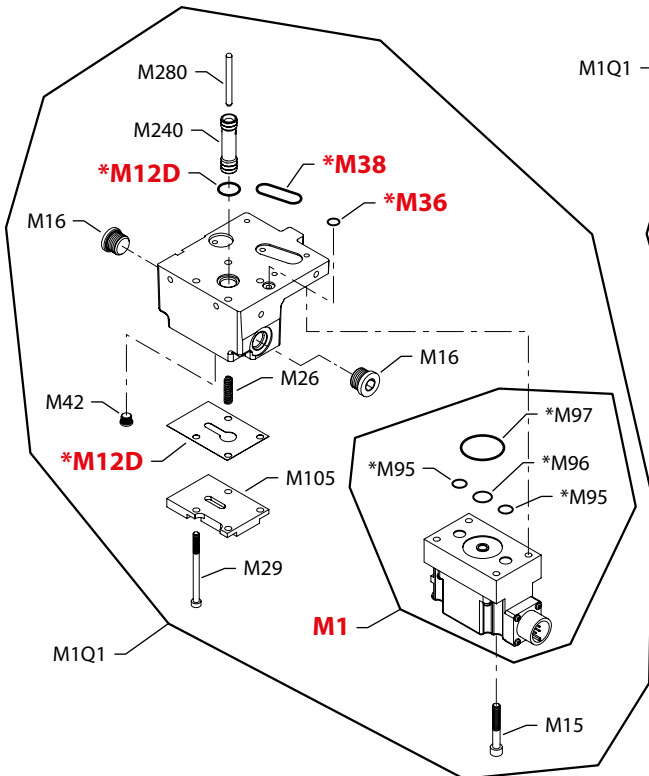
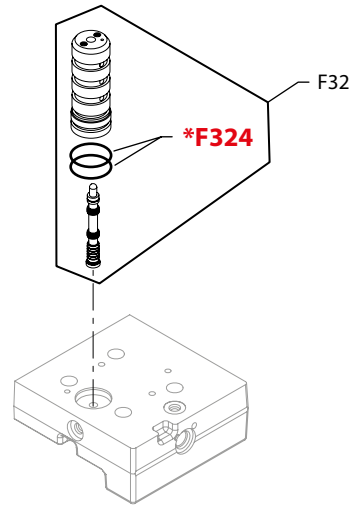


Variable Displacement Motor

(EP & EQ)



(ER & ES)



E100 258E

* = included in base motor seal kit Q210

Enlarged **bold** type item numbers are recommended part to stock for servicing.


Variable Displacement Motor
Electric proportional common parts

| Order code | Item | Date begin | Date end | Part number | Part name | Qty. per model/kit |
|------------|------|------------|----------|-----------------------|----------------------|--------------------|
| | F32 | 92-07 | | 753186 | 4-way valve assembly | 1 |
| | F324 | 92-07 | | 730036 | O-ring | 2 |
| | M12D | 92-07 | | 504358 | Gasket | 1 |
| | M15 | 92-07 | | 067678 (9007315-0504) | Screw | 4 |
| | M16 | 92-07 | | 140644 | Plug assembly | 2 |
| | M26 | 92-07 | | 717454 | Spring | 1 |
| | M29 | 92-07 | | 771832 | Screw | 4 |
| | M30 | 92-07 | | 056770 (9004105-0150) | O-ring | 1 |
| | M36 | 92-07 | | 732479 (9004105-0100) | O-ring | 1 |
| | M38 | 92-07 | | 011395 (9004104-0230) | O-ring | 1 |
| | M42 | 92-07 | | 11040532 | Plug assembly | 1 |
| | M95 | 92-07 | | 9004104-0120 | O-ring | 2 |
| | M96 | 92-07 | | 9004104-0140 | O-ring | 1 |
| | M97 | 92-07 | | 9004104-0240 | O-ring | 1 |
| | M105 | 92-07 | | 751883 | Cover | 1 |
| | M240 | 92-07 | | 741942 | Piston | 1 |
| | M280 | 92-07 | | 742320 | Pin | 1 |

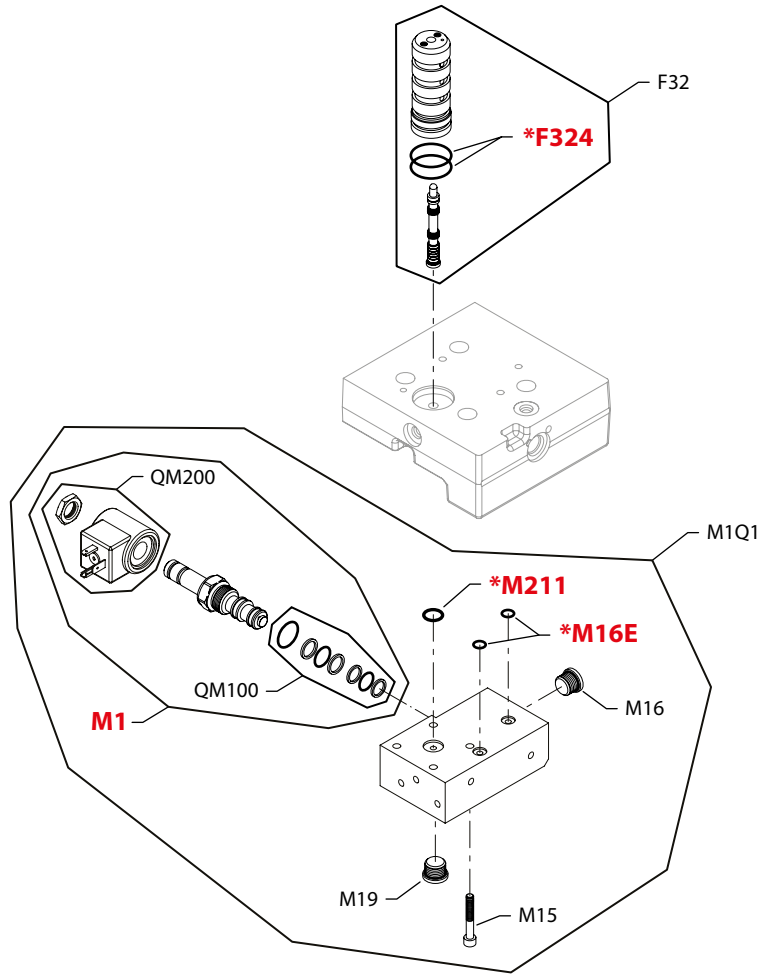
Electric proportional

| | | | | | | |
|----|------|-------|--|-------------|--------------------------------|---|
| EP | M1 | 92-07 | | MCV110A1058 | PCP, Packard connector | 1 |
| | M16 | 92-07 | | 140644 | Plug assembly | 2 |
| | M1Q1 | 92-07 | | 503791 | Control kit, Packard connector | 1 |
| EQ | M1 | 92-07 | | MCV110A1017 | PCP, MS connector | 1 |
| | M16 | 92-07 | | 140644 | Plug assembly | 2 |
| | M1Q1 | 92-07 | | 503790 | Control kit, MS connector | 1 |
| ER | M1 | 95-17 | | MCV110A1058 | PCP, Packard connector | 1 |
| | M16 | 92-07 | | 140644 | Plug assembly | 3 |
| | M1Q1 | 95-17 | | 507391 | Control kit, Packard connector | 1 |
| ES | M1 | 95-17 | | MCV110A1017 | PCP, MS connector | 1 |
| | M16 | 92-07 | | 140644 | Plug assembly | 3 |
| | M1Q1 | 95-17 | | 507393 | Control kit, MS connector | 1 |



Variable Displacement Motor

(F1 & F2)



* = included in base motor seal kit Q210

E100 257E

Enlarged **bold** type item numbers are recommended part to stock for servicing.

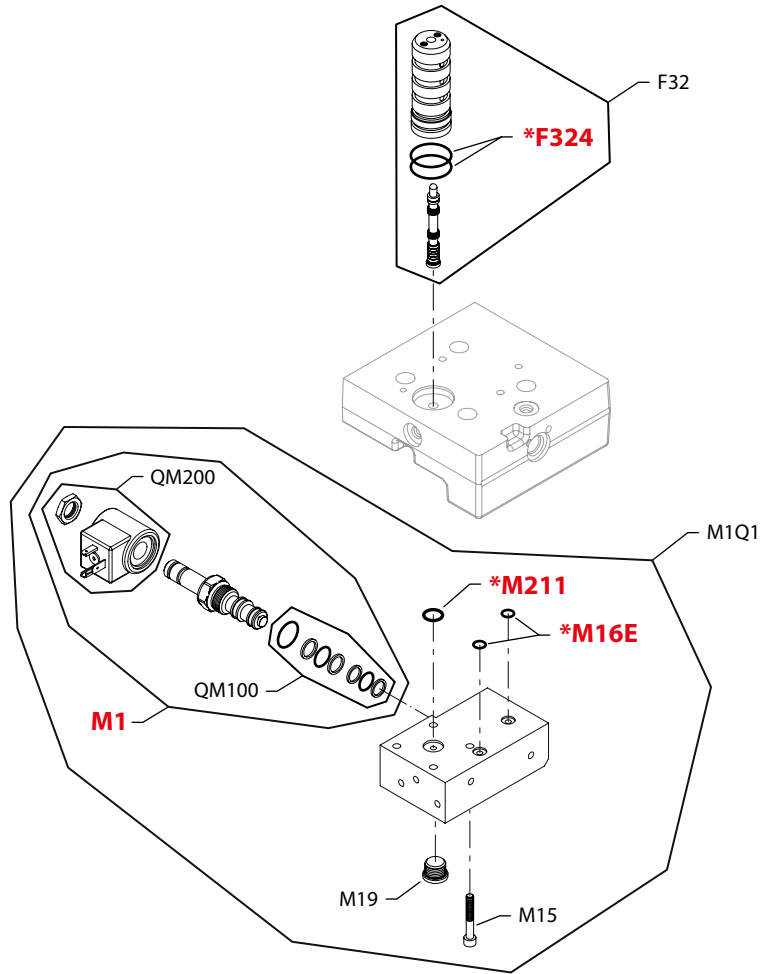

Variable Displacement Motor
Electric 2-position

| Order code | Item | Date begin | Date end | Part number | Part name | Qty. per model/kit |
|------------|-------|------------|----------|-----------------------|---|----------------------|
| F1 | F32 | 92-07 | | 500820 | 4-way valve assembly | 1 |
| | F324 | 92-07 | | 730036 | O-ring | 2 |
| | M1 | 92-07 | | 784942 | Solenoid valve, 12 volt, DIN connector | 1 |
| | M1Q1 | 92-07 | | 503618 | Control kit, 12 volt, DIN connector | 1 |
| | M15 | 92-07 | | 329599 | Screw | 4 |
| | M16 | 92-07 | | 140644 | Plug assembly | 1 |
| | M16E | 92-07 | | 732479 (9004105-0100) | O-ring | 2 |
| | M19 | 92-07 | | 140644 | Plug assembly | 1 |
| | M211 | 92-07 | | 365015 | O-ring | 1 |
| | QM100 | 92-07 | | 11146862 | Solenoid valve seal kit | 1 |
| | QM200 | 92-07 | | 11146863 | Coil kit, 12 volt, DIN connector | 1 |
| | F2 | F32 | 92-07 | | 500820 | 4-way valve assembly |
| F324 | | 92-07 | | 730036 | O-ring | 2 |
| M1 | | 92-07 | | 784934 | Solenoid valve, 24, volt, DIN connector | 1 |
| M1Q1 | | 92-07 | | 503617 | Control kit, 24 volt, DIN connector | 1 |
| M15 | | 92-07 | | 329599 | Screw | 4 |
| M16 | | 92-07 | | 140644 | Plug assembly | 1 |
| M16E | | 92-07 | | 732479 (9004105-0100) | O-ring | 2 |
| M19 | | 92-07 | | 140644 | Plug assembly | 1 |
| M211 | | 92-07 | | 365015 | O-ring | 1 |
| QM100 | | 92-07 | | 11146862 | Solenoid valve seal kit | 1 |
| QM200 | | 92-07 | | 11146864 | Coil kit, 24 volt, DIN connector | 1 |



Variable Displacement Motor

(H1 & H2)



E100 260E

* = included in base motor seal kit Q210

Enlarged **bold** type item numbers are recommended part to stock for servicing.

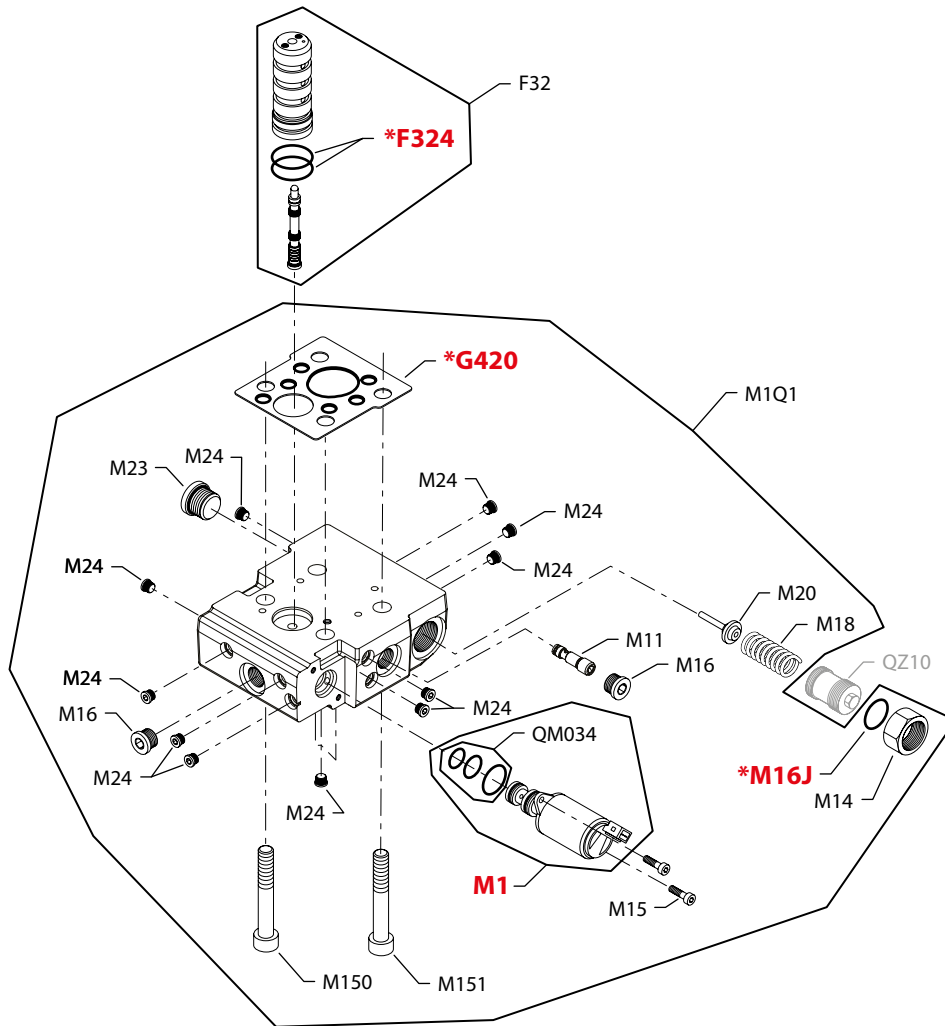

Variable Displacement Motor
Hydraulic proportional w/maximum angle override

| Order code | Item | Date begin | Date end | Part number | Part name | Qty. per model/kit |
|-------------------|-------------|-------------------|-----------------|-----------------------|---|---------------------------|
| H1 | F32 | 92-07 | | 727115 | 4-way valve assembly | 1 |
| | F324 | 92-07 | | 730036 | O-ring | 2 |
| | M1 | 92-07 | | 784942 | Solenoid valve, 12 volt, DIN connector | 1 |
| | M1Q1 | 92-07 | | 503613 | Control kit, 12 volt, DIN connector | 1 |
| | M15 | 92-07 | | 329599 | Screw | 4 |
| | M16E | 92-07 | | 732479 (9004105-0100) | O-ring | 2 |
| | M19 | 92-07 | | 140644 | Plug assembly | 1 |
| | M211 | 92-07 | | 365015 | O-ring | 1 |
| | QM100 | 92-07 | | 11146862 | Solenoid valve seal kit | 1 |
| | QM200 | 92-07 | | 11146863 | Coil kit, 12 volt, DIN connector | 1 |
| H2 | F32 | 92-07 | | 727115 | 4-way valve assembly | 1 |
| | F324 | 92-07 | | 730036 | O-ring | 2 |
| | M1 | 92-07 | | 784934 | Solenoid valve, 24, volt, DIN connector | 1 |
| | M1Q1 | 92-07 | | 503614 | Control kit, 24 volt, DIN connector | 1 |
| | M15 | 92-07 | | 329599 | Screw | 4 |
| | M16E | 92-07 | | 732479 (9004105-0100) | O-ring | 2 |
| | M19 | 92-07 | | 140644 | Plug assembly | 1 |
| | M211 | 92-07 | | 365015 | O-ring | 1 |
| | QM100 | 92-07 | | 11146862 | Solenoid valve seal kit | 1 |
| | QM200 | 92-07 | | 11146864 | Coil kit, 24 volt, DIN connector | 1 |



Variable Displacement Motor

(H3 & H4)



E103 123E

* = included in base motor seal kit Q210

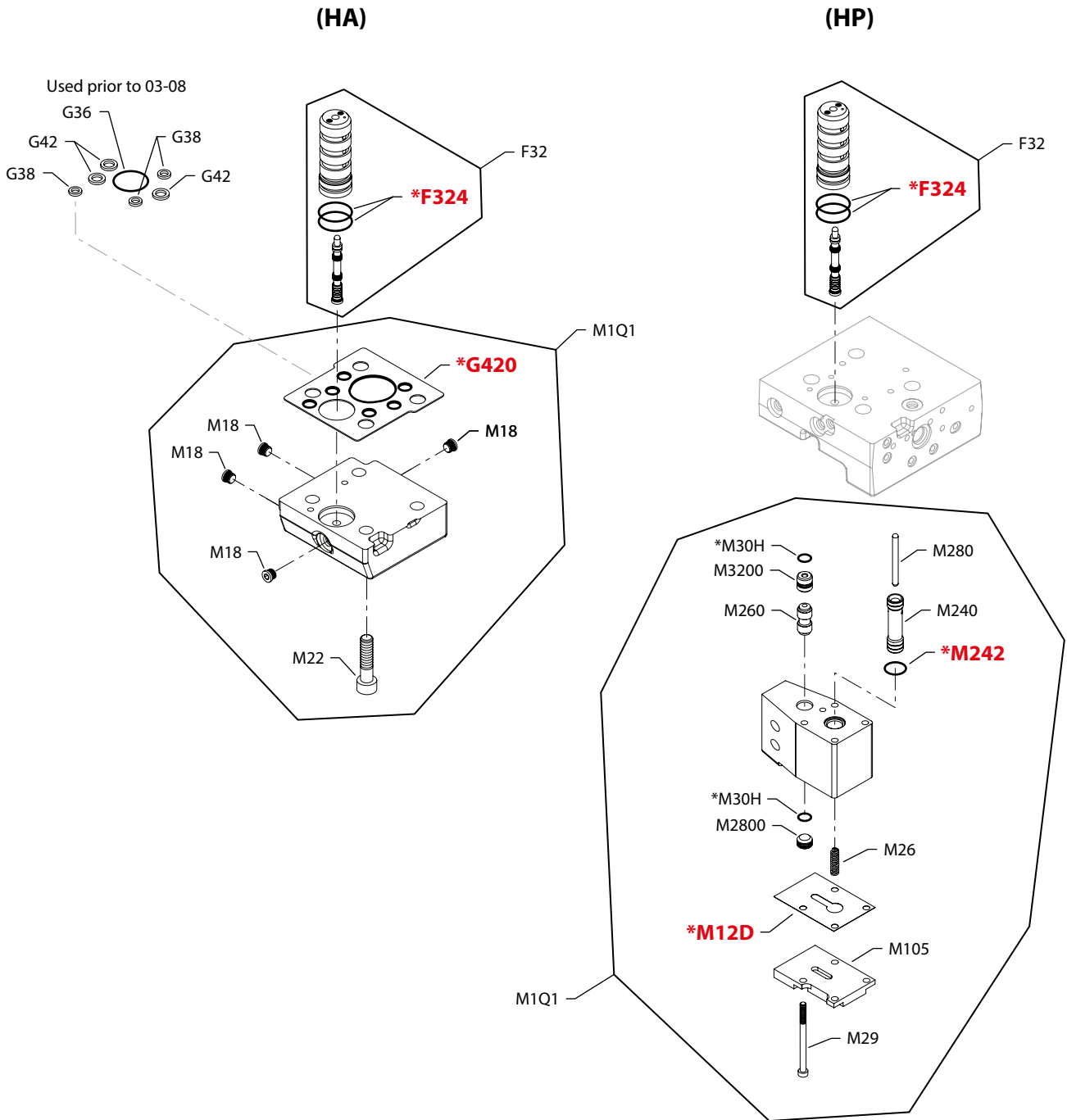
Enlarged **bold** type item numbers are recommended part to stock for servicing.


Variable Displacement Motor
Electric proportional w/pressure reducing

| Order code | Item | Date begin | Date end | Part number | Part name | Qty. per model/kit |
|------------|-------|------------|----------|-----------------------|--|--------------------|
| H3 | F32 | 07-21 | | 727115 | 4-way valve assembly | 1 |
| | F324 | 07-21 | | 730036 | O-ring | 2 |
| | G420 | 07-21 | | 511810 | Gasket/O-ring seal | 1 |
| | M1 | 07-21 | | 518080 | Solenoid valve, 12 volt, 25 bar, Jet connector | 1 |
| | M1Q1 | 07-21 | | 11097916 | Control kit, 12 volt, 25 bar, Jet connector | 1 |
| | M11 | 07-21 | | 11000893 | Shuttle valve | 1 |
| | M14 | 07-21 | | 342709 (9003575-0101) | Nut | 1 |
| | M15 | 07-21 | | 067694 | Screw | 2 |
| | M16 | 07-21 | | 140644 | Plug assembly | 2 |
| | M16J | 07-21 | | 001149 (9004201-6200) | O-ring | 1 |
| | M20 | 07-21 | | 501876 | PCOR spool | 1 |
| | M23 | 07-21 | | 315325 (9005110-8700) | Plug assembly | 1 |
| | M24 | 07-21 | | 11040532 | Plug | 15 |
| | M26 | 07-21 | | 509152 | Spring | 1 |
| | M150 | 07-21 | | 739664 | Screw | 2 |
| | M151 | 07-21 | | 739664 | Screw | 2 |
| | QM034 | 07-21 | | 11099849 | Solenoid valve seal kit | 1 |
| H4 | F32 | 07-21 | | 727115 | 4-way valve assembly | 1 |
| | F324 | 07-21 | | 730036 | O-ring | 2 |
| | G420 | 07-21 | | 511810 | Gasket/O-ring seal | 1 |
| | M1 | 07-21 | | 518081 | Solenoid valve, 24 volt, 25 bar, Jet connector | 1 |
| | M1Q1 | 07-21 | | 11013385 | Control kit, 24 volt, 25 bar, Jet connector | 1 |
| | M11 | 07-21 | | 11000893 | Shuttle valve | 1 |
| | M14 | 07-21 | | 342709 (9003575-0101) | Nut | 1 |
| | M15 | 07-21 | | 067694 | Screw | 2 |
| | M16 | 07-21 | | 140644 | Plug assembly | 2 |
| | M16J | 07-21 | | 001149 (9004201-6200) | O-ring | 1 |
| | M20 | 07-21 | | 501876 | PCOR spool | 1 |
| | M23 | 07-21 | | 315325 (9005110-8700) | Plug assembly | 1 |
| | M24 | 07-21 | | 11040532 | Plug | 15 |
| | M26 | 07-21 | | 509152 | Spring | 1 |
| | M150 | 07-21 | | 739664 | Screw | 2 |
| | M151 | 07-21 | | 739664 | Screw | 2 |
| | QM034 | 07-21 | | 11099849 | Solenoid valve seal kit | 1 |



Variable Displacement Motor



* = included in base motor seal kit Q210

E100 304E

Enlarged **bold** type item numbers are recommended part to stock for servicing.

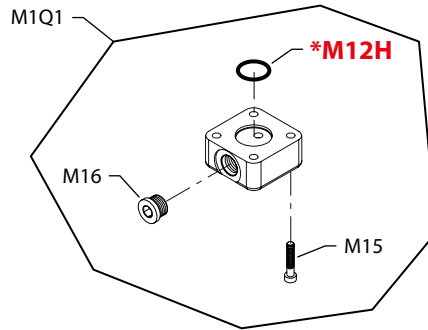
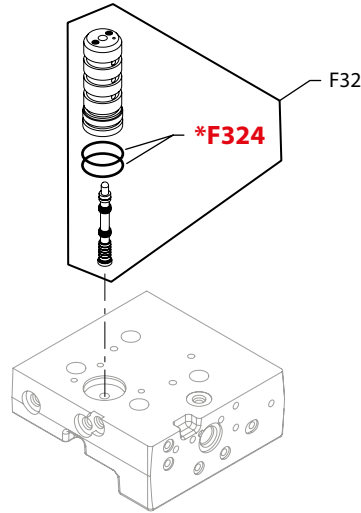

Variable Displacement Motor
Hydraulic proportional

| Order code | Item | Date begin | Date end | Part number | Part name | Qty. per model/kit |
|------------|------|------------|----------|-----------------------|----------------------------------|----------------------|
| HA | F32 | 94-12 | | 727115 | 4-way valve assembly | 1 |
| | F324 | 94-12 | | 730036 | O-ring | 2 |
| | G36 | 94-12 | 03-07 | 364968 | O-ring (SB-2002-001) | 1 |
| | G38 | 94-12 | 03-07 | 792739 | O-ring (SB-2002-001) | 3 |
| | G42 | 94-12 | 03-07 | 754580 | O-ring (SB-2002-001) | 3 |
| | G420 | 03-08 | | 511810 | Gasket/O-ring seal (SB-2002-001) | 1 |
| | M1Q1 | 94-12 | | 518237 | Control kit | 1 |
| | M18 | 94-12 | | 11040532 | Plug assembly | 4 |
| | M22 | 94-12 | | 732982 (9007314-1009) | Screw | 4 |
| | HP | F32 | 92-07 | | 753186 | 4-way valve assembly |
| F324 | | 92-07 | | 730036 | O-ring | 2 |
| M1Q1 | | 92-07 | | 796482 | Control kit | 1 |
| M12D | | 92-07 | | 504358 | Gasket | 1 |
| M26 | | 92-07 | | 717454 | Spring | 1 |
| M29 | | 92-07 | | 771832 | Screw | 4 |
| M30H | | 92-07 | | 011296 (9004105-0120) | O-ring | 2 |
| M105 | | 92-07 | | 751883 | Cover | 1 |
| M240 | | 92-07 | | 741942 | Shuttle piston | 1 |
| M242 | | 92-07 | | 056770 | O-ring | 1 |
| M260 | | 92-07 | | 751644 | Shuttle valve | 1 |
| M280 | | 92-07 | | 742320 | Pin | 1 |
| M2800 | | 92-07 | | 342246 | Sealing plug | 1 |
| M3200 | | 92-07 | | 353615 | Sealing plug | 1 |



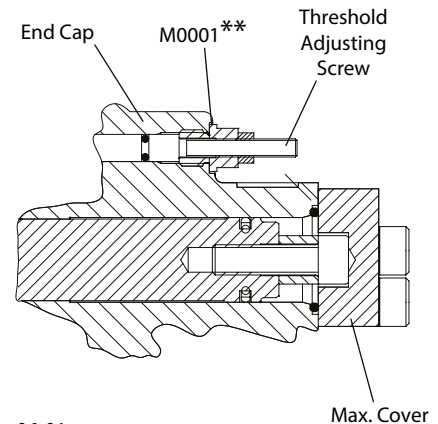
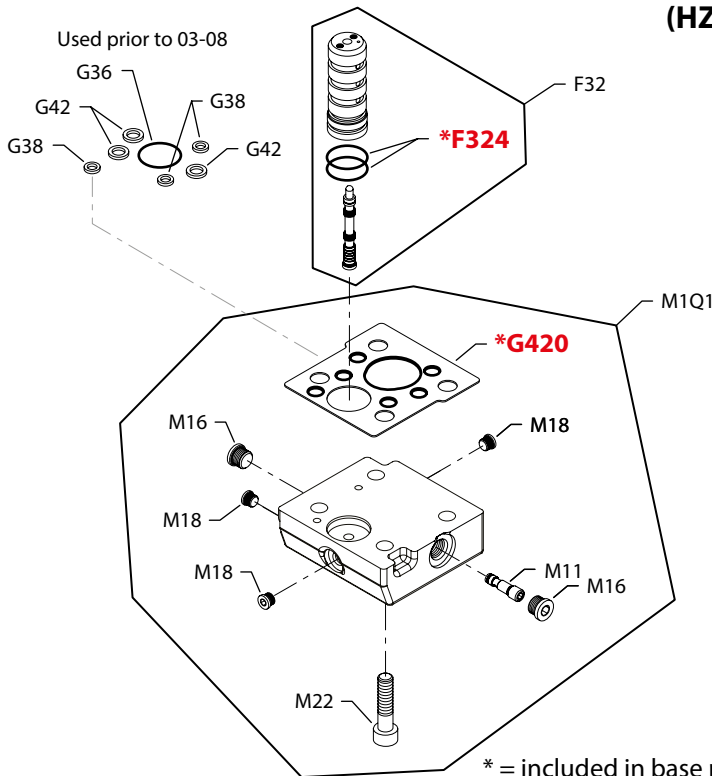
Variable Displacement Motor

(HS)

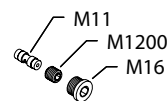


(HZ)

** The seal ring M0001 is required only if there has been a seal ring in the location previously.



Used prior to 06-01



E103 124E

Enlarged **bold** type item numbers are recommended part to stock for servicing.


Variable Displacement Motor
Hydraulic proportional

| Order code | Item | Date begin | Date end | Part number | Part name | Qty. per model/kit |
|------------|------|------------|----------|-------------|----------------------------------|----------------------|
| HS | F32 | 92-07 | | 727115 | 4-way valve assembly | 1 |
| | F324 | 92-07 | | 730036 | O-ring | 2 |
| | M1Q1 | 92-07 | | 503804 | Control kit | 1 |
| | M12H | 92-07 | | 364984 | O-ring | 1 |
| | M15 | 92-07 | | 124115 | Screw | 4 |
| | M16 | 92-07 | | 140644 | Plug assembly | 1 |
| | HZ | F32 | 92-07 | | 727115 | 4-way valve assembly |
| F324 | | 92-07 | | 730036 | O-ring | 2 |
| G36 | | 92-07 | 03-07 | 364968 | O-ring (SB-2002-001) | 1 |
| G38 | | 92-07 | 03-07 | 792739 | O-ring (SB-2002-001) | 3 |
| G42 | | 92-07 | 03-07 | 754580 | O-ring (SB-2002-001) | 3 |
| G420 | | 03-08 | | 511810 | Gasket/O-ring seal (SB-2002-001) | 1 |
| M1Q1 | | 92-07 | | 518221 | Control kit (SB-2002-001) | 1 |
| M001 | | 07-16 | | 084673 | Seal ring | 1 |
| M11 | | 06-01 | | 11000893 | Shuttle valve | 1 |
| M11 | | 92-07 | 05-52 | 759415 | Shuttle valve | 1 |
| M16 | | 92-07 | | 140644 | Plug assembly | 2 |
| M18 | | 92-07 | | 11040532 | Plug | 3 |
| M22 | | 92-07 | | 732982 | Screw | 4 |
| M1200 | | 92-07 | 05-52 | 759423 | Orifice plug | 1 |

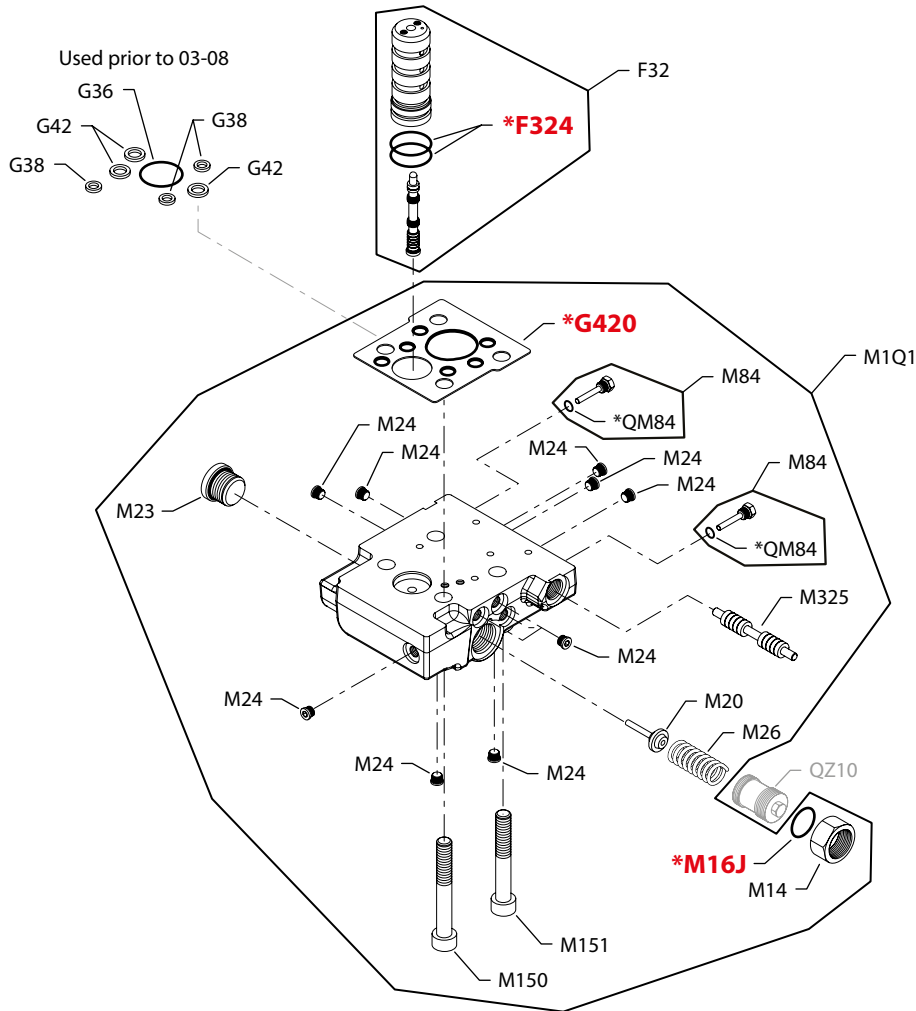

Variable Displacement Motor
Hydraulic proportional with electric override

| Order code | Item | Date begin | Date end | Part number | Part name | Qty. per model/kit |
|------------|-------|------------|----------|-----------------------|--|--------------------|
| J1 | F32 | 94-47 | | 727115 | 4-way valve assembly | 1 |
| | F324 | 94-47 | | 730036 | O-ring | 2 |
| | G36 | 94-47 | 03-07 | 364968 | O-ring (SB-2002-001) | 1 |
| | G38 | 94-47 | 03-07 | 792739 | O-ring (SB-2002-001) | 3 |
| | G42 | 94-47 | 03-07 | 754580 | O-ring (SB-2002-001) | 3 |
| | G420 | 03-08 | | 511810 | Gasket/O-ring seal (SB-2002-001) | 1 |
| | M1 | 94-47 | | 784942 | Solenoid valve, 12 volt, DIN connector | 1 |
| | M1Q1 | 94-47 | | 518230 | Control kit, 12 volt, DIN connector | 1 |
| | M14 | 94-47 | | 342709 (9003575-0101) | Nut | 1 |
| | M16 | 94-47 | | 140644 | Plug assembly | 1 |
| | M16J | 94-47 | | 001149 (9004201-6200) | O-ring | 1 |
| | M20 | 94-47 | | 746016 | PCOR spool assembly | 1 |
| | M23 | 94-47 | | 315325 (9005110-8700) | Plug assembly | 1 |
| | M24 | 94-47 | | 11040532 | Plug assembly | 21 |
| | M26 | 94-47 | | 509152 | Spring | 1 |
| | M150 | 94-47 | | 739664 | Screw | 2 |
| | M151 | 94-47 | | 680686 | Screw | 2 |
| | QM100 | 94-47 | | 11146862 | Solenoid valve seal kit | 1 |
| | QM200 | 94-47 | | 11146863 | Coil kit, 12 volt | 1 |



Variable Displacement Motor

(JA)



* = included in base motor seal kit QZ10

E100 306E
Enlarged **bold** type item numbers are recommended part to stock for servicing.

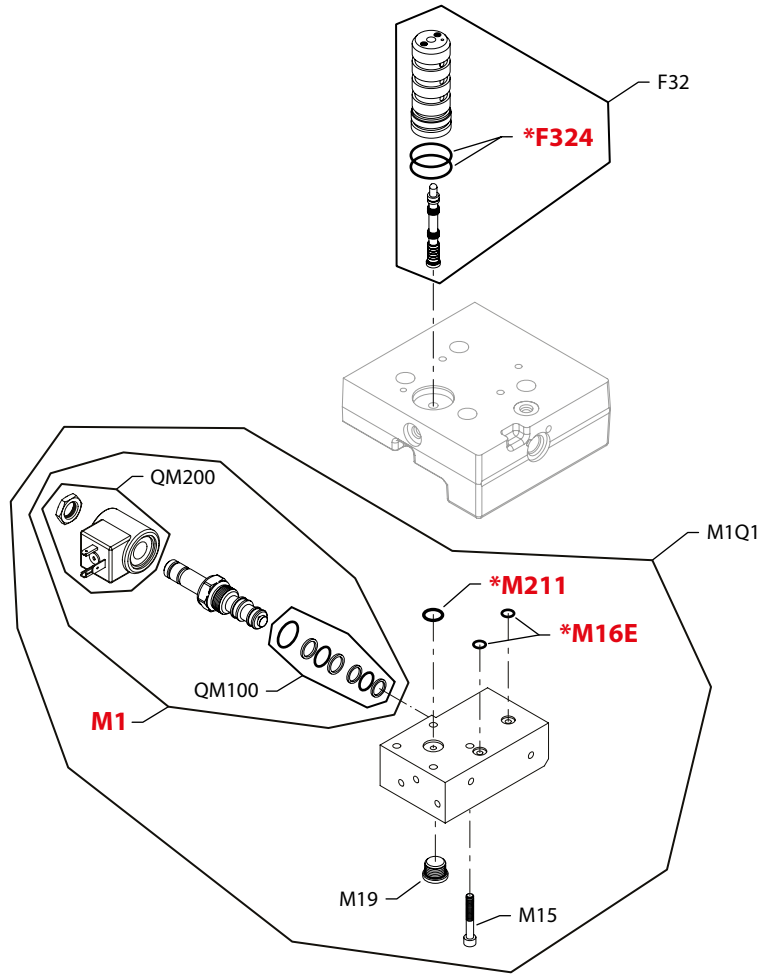

Variable Displacement Motor
Hydraulic proportional

| Order code | Item | Date begin | Date end | Part number | Part name | Qty. per model/kit |
|------------|------|------------|----------|-----------------------|----------------------------------|--------------------|
| JA | F32 | 95-50 | | 727115 | 4-way valve assembly | 1 |
| | F324 | 95-50 | | 730036 | O-ring | 2 |
| | G36 | 95-50 | 03-07 | 364968 | O-ring (SB-2002-001) | 1 |
| | G38 | 95-50 | 03-07 | 792739 | O-ring (SB-2002-001) | 3 |
| | G42 | 95-50 | 03-07 | 754580 | O-ring (SB-2002-001) | 3 |
| | G420 | 03-08 | | 511810 | Gasket/O-ring seal (SB-2002-001) | 1 |
| | M1Q1 | 95-50 | | 518246 | Control kit | 1 |
| | M14 | 95-50 | | 342709 (9003575-0101) | Nut | 1 |
| | M16J | 95-50 | | 001149 (9004201-6200) | O-ring | 1 |
| | M20 | 95-50 | | 501876 | PCOR spool assembly | 1 |
| | M23 | 95-50 | | 315325 (9005110-8700) | Plug assembly | 1 |
| | M24 | 95-50 | | 11040532 | Plug assembly | 11 |
| | M26 | 95-50 | | 509152 | Spring | 1 |
| | M84 | 95-50 | | 735266 | Plug assembly | 2 |
| | M150 | 95-50 | | 739664 | Screw | 2 |
| | M151 | 95-50 | | 680686 | Screw | 2 |
| | M325 | 95-50 | | 346080 | Spool | 1 |
| | QM84 | 95-50 | | 039297 (9004201-1200) | O-ring | 1 |



Variable Displacement Motor

(K1 & K2)



E103 125E

* = included in base motor seal kit Q210

Enlarged **bold** type item numbers are recommended part to stock for servicing.

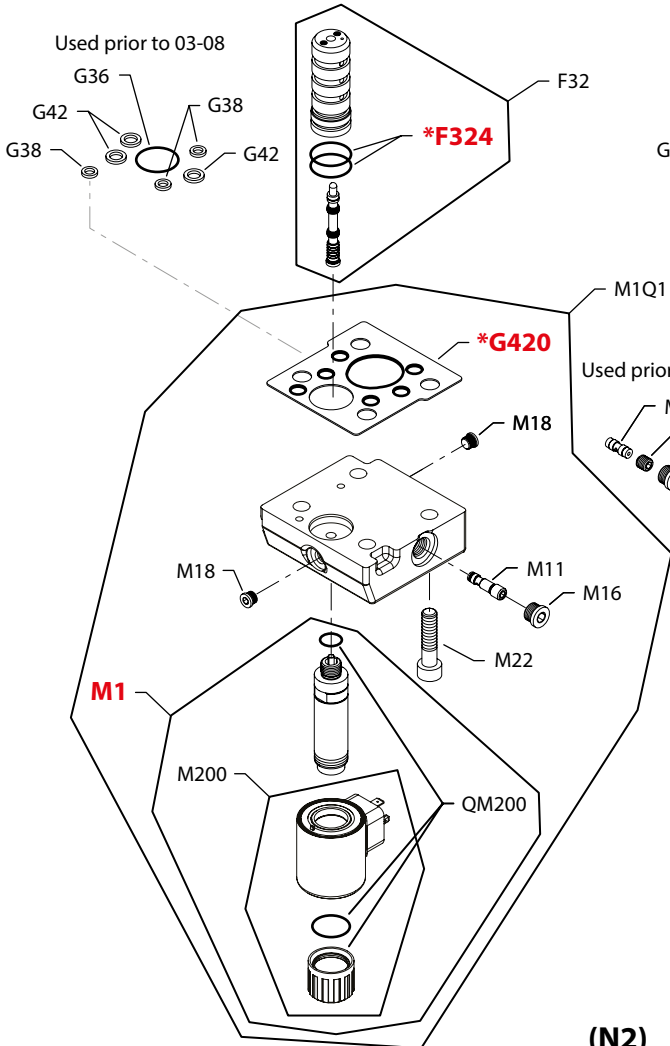

Variable Displacement Motor
Hydraulic proportional with electric override

| Order code | Item | Date begin | Date end | Part number | Part name | Qty. per model/kit |
|-------------------|-------------|-------------------|-----------------|-----------------------|--|---------------------------|
| K1 | F32 | 91-35 | | 727115 | 4-way valve assembly | 1 |
| | F324 | 91-35 | | 730036 | O-ring | 2 |
| | M1 | 91-35 | | 784942 | Solenoid valve, 12 volt, DIN connector | 1 |
| | M1Q1 | 91-35 | | 503620 | Control kit, 12 volt, DIN connector | 1 |
| | M15 | 91-35 | | 329599 | Screw | 4 |
| | M16E | 91-35 | | 732479 (9004105-0100) | O-ring | 2 |
| | M19 | 91-35 | | 140644 | Plug assembly | 1 |
| | M211 | 91-35 | | 365015 | O-ring | 1 |
| | K2 | F32 | 91-35 | | 727115 | 4-way valve assembly |
| F324 | | 91-35 | | 730036 | O-ring | 2 |
| M1 | | 91-35 | | 784934 | Solenoid valve, 24 volt, DIN connector | 1 |
| M1Q1 | | 91-35 | | 503806 | Control kit, 24 volt, DIN connector | 1 |
| M15 | | 91-35 | | 329599 | Screw | 4 |
| M16E | | 91-35 | | 732479 (9004105-0100) | O-ring | 2 |
| M19 | | 91-35 | | 140644 | Plug assembly | 1 |
| M211 | | 91-35 | | 365015 | O-ring | 1 |

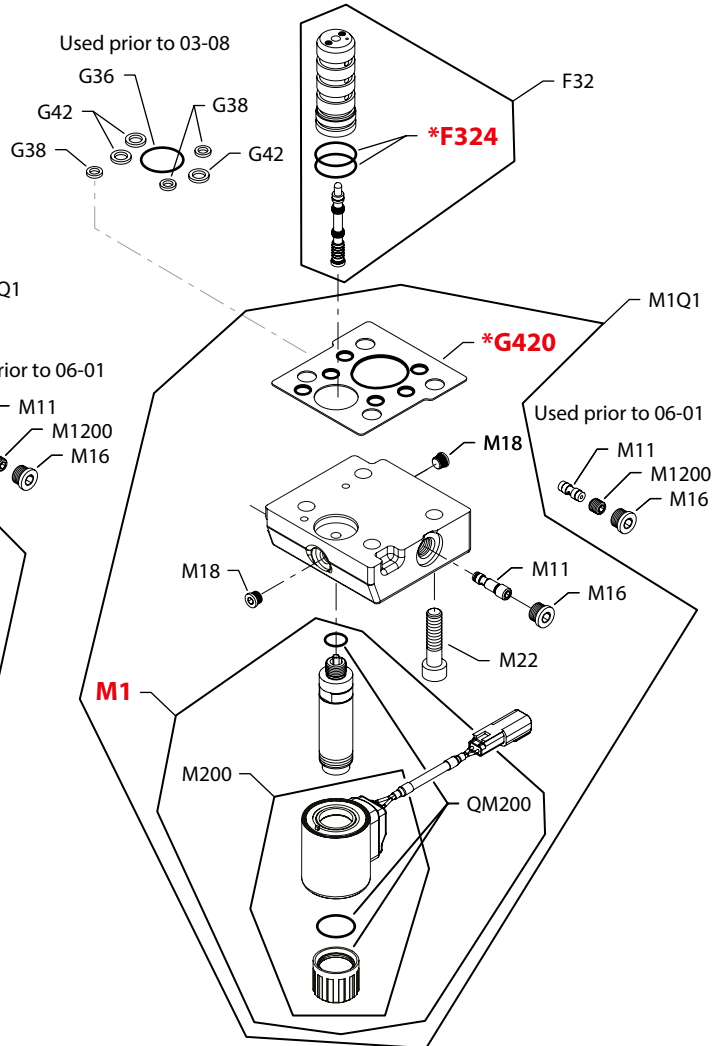


Variable Displacement Motor

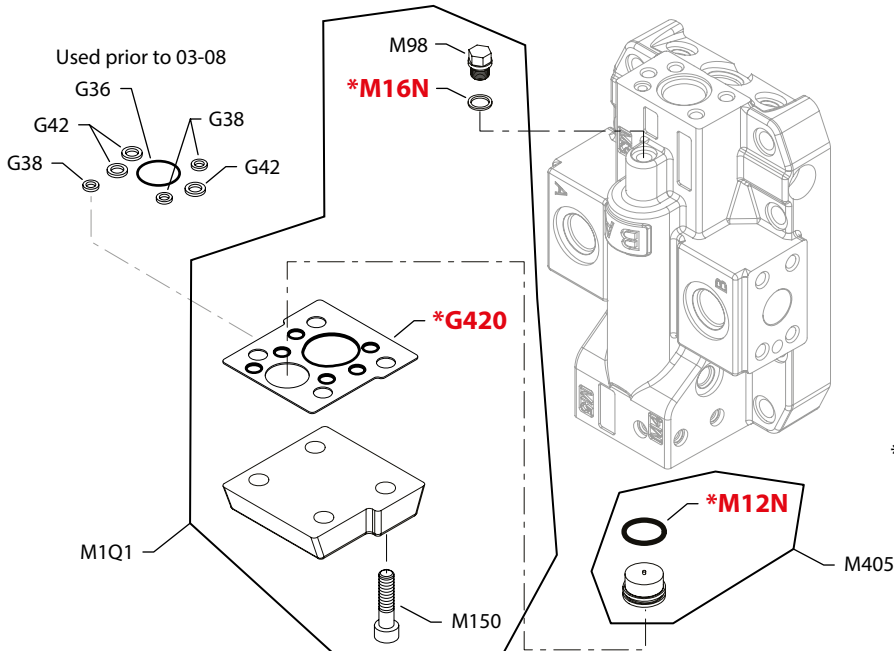
(L1, L2 & L7)



(L3 & L4)



(N2)



* = included in base motor seal kit Q210

E100 307E

Enlarged **bold** type item numbers are recommended part to stock for servicing.


Variable Displacement Motor
Electric proportional common parts

| Order code | Item | Date begin | Date end | Part number | Part name | Qty. per model/kit |
|------------|-------|------------|----------|-------------|----------------------------------|--------------------|
| | F32 | 95-35 | | 509845 | 4-way valve assembly | 1 |
| | F324 | 95-35 | | 730036 | O-ring | 2 |
| | G36 | 95-35 | 03-07 | 364968 | O-ring (SB-2002-001) | 1 |
| | G38 | 95-35 | 03-07 | 792739 | O-ring (SB-2002-001) | 3 |
| | G42 | 95-35 | 03-07 | 754580 | O-ring (SB-2002-001) | 3 |
| | G420 | 03-08 | | 511810 | Gasket/O-ring seal (SB-2002-001) | 1 |
| | M11 | 06-01 | | 11000893 | Shuttle valve | 1 |
| | M11 | 95-35 | 05-52 | 759415 | Shuttle valve | 1 |
| | M16 | 95-35 | | 140644 | Plug assembly | 1 |
| | M18 | 95-35 | | 11040532 | Plug | 2 |
| | M22 | 95-35 | | 727586 | Screw | 4 |
| | M1200 | 95-35 | 05-52 | 759423 | Orifice plug | 1 |

Electric proportional

| | | | | | | |
|----|-------|-------|--|----------|---|---|
| L1 | M1 | 95-35 | | 11026442 | Solenoid valve, 12 volt, DIN connector | 1 |
| | M1Q1 | 95-35 | | 518247 | Control kit, 12 volt, DIN connector | 1 |
| | M200 | 95-35 | | 11026452 | Coil kit, 12 volt, DIN connector | 1 |
| | QM200 | 95-35 | | 11121251 | Coil nut kit | 1 |
| L2 | M1 | 95-35 | | 11026443 | Solenoid valve, 24 volt, DIN connector | 1 |
| | M1Q1 | 95-35 | | 518243 | Control kit, 24 volt, DIN connector | 1 |
| | M200 | 95-35 | | 11026453 | Coil kit, 24 volt, DIN connector | 1 |
| | QM200 | 95-35 | | 11121251 | Coil nut kit | 1 |
| L3 | M1 | 01-19 | | 11026447 | Solenoid, 12 volt, Deutsch connector | 1 |
| | M1Q1 | 01-19 | | 518259 | Control kit, 12 volt, Deutsch connector | 1 |
| | M200 | 01-19 | | 11026454 | Coil kit, 12 volt, Deutsch connector | 1 |
| | QM200 | 01-19 | | 11121272 | Coil nut kit | 1 |
| L4 | M1 | 96-24 | | 11048359 | Solenoid, 24 volt, Jet connector | 1 |
| | M1Q1 | 96-24 | | 11048356 | Control kit, 24 volt, Jet connector | 1 |
| | M200 | 96-24 | | 11048358 | Coil kit, 24 volt, Jet connector | 1 |
| | QM200 | 96-24 | | 11121272 | Coil nut kit | 1 |
| L7 | M1 | 96-24 | | 11026438 | Solenoid, 12 volt, Jet connector | 1 |
| | M1Q1 | 96-24 | | 518249 | Control kit, 12 volt, Jet connector | 1 |
| | M200 | 96-24 | | 11026450 | Coil kit, 12 volt, Jet connector | 1 |
| | QM200 | 96-24 | | 11121251 | Coil nut kit | 1 |

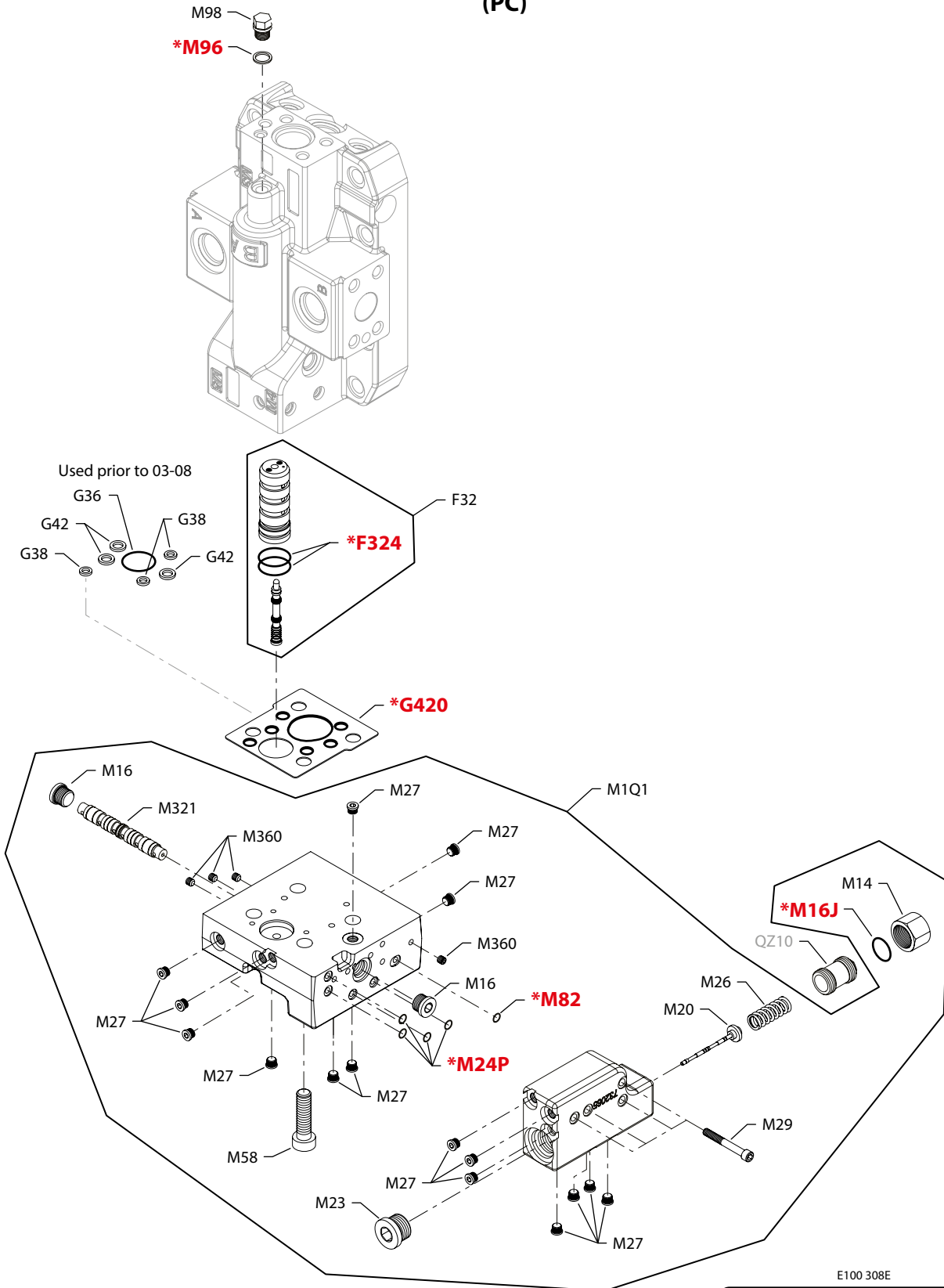
Hydraulic 2-position

| | | | | | | |
|----|------|-------|-------|--------|----------------------------------|---|
| N2 | G36 | 92-07 | 03-07 | 364968 | O-ring (SB-2002-001) | 1 |
| | G38 | 92-07 | 03-07 | 792739 | O-ring (SB-2002-001) | 3 |
| | G42 | 92-07 | 03-07 | 754580 | O-ring (SB-2002-001) | 3 |
| | G420 | 03-08 | | 511810 | Gasket/O-ring seal (SB-2002-001) | 1 |
| | M1Q1 | 92-07 | | 518226 | Control kit | 1 |
| | M12N | 92-07 | | 730036 | O-ring | 1 |
| | M16N | 92-07 | | 084673 | Sealing ring | 2 |
| | M98 | 92-07 | | 745331 | Plug assembly | 1 |
| | M150 | 92-07 | | 727586 | Screw | 4 |
| | M405 | 92-07 | | 510415 | Sleeve assembly | 1 |



Variable Displacement Motor

(PC)



E100 308E

* = included in base motor seal kit QZ10

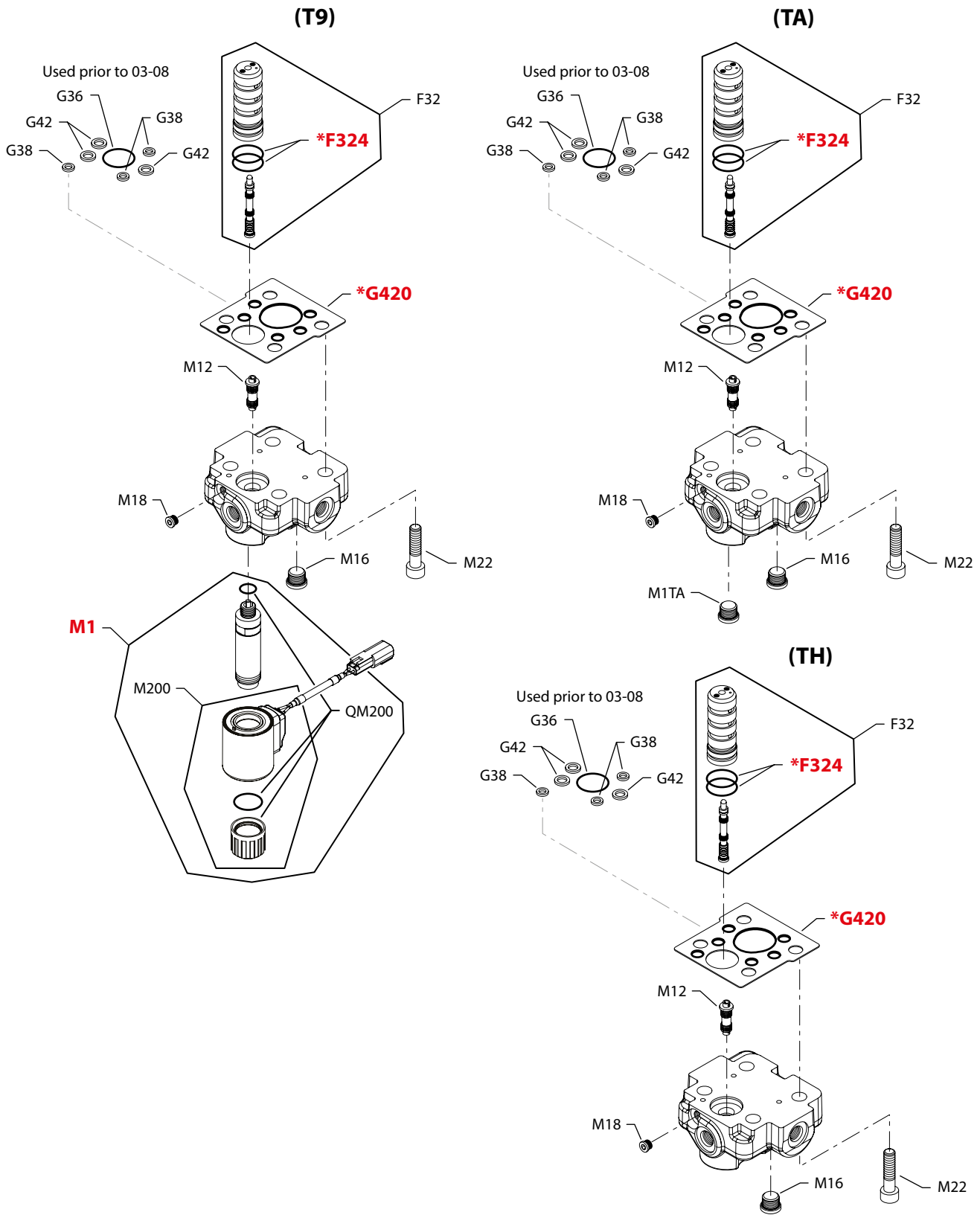
Enlarged **bold** type item numbers are recommended part to stock for servicing.


Variable Displacement Motor
Pressure compensator

| Order code | Item | Date begin | Date end | Part number | Part name | Qty. per model/kit |
|------------|------|------------|----------|-----------------------|----------------------------------|--------------------|
| PC | F32 | 92-07 | 13-24 | 510416 | 4-way valve assembly | 1 |
| | F324 | 92-07 | 13-24 | 730036 | O-ring | 2 |
| | G36 | 92-07 | 03-07 | 364968 | O-ring (SB-2002-001) | 1 |
| | G38 | 92-07 | 03-07 | 792739 | O-ring (SB-2002-001) | 3 |
| | G42 | 92-07 | 03-07 | 754580 | O-ring (SB-2002-001) | 3 |
| | G420 | 03-08 | 13-24 | 511810 | Gasket/O-ring seal (SB-2002-001) | 1 |
| | M1Q1 | 92-07 | 13-24 | 518223 | Control kit, PC | 1 |
| | M14 | 92-07 | 13-24 | 342709 (9003575-0101) | Nut | 1 |
| | M16 | 92-07 | 13-24 | 140644 | Plug assembly | 2 |
| | M16J | 92-07 | 13-24 | 001149 (9004201-6200) | O-ring | 1 |
| | M20 | 92-07 | 13-24 | 746016 | Relief valve | 1 |
| | M23 | 92-07 | 13-24 | 315325 (9005110-8700) | Plug assembly | 1 |
| | M24P | 92-07 | 13-24 | 732479 (9004105-0100) | O-ring | 4 |
| | M26 | 92-07 | 13-24 | 509152 | Spring | 1 |
| | M27 | 92-07 | 13-24 | 11040532 | Plug assembly | 16 |
| | M29 | 92-07 | 13-24 | 713719 (9007314-0610) | Screw | 4 |
| | M58 | 92-07 | 13-24 | 732982 (9007314-1009) | Screw | 4 |
| | M82 | 92-07 | 13-24 | 732479 (9004105-0100) | O-ring | 1 |
| | M96 | 92-07 | 13-24 | 084673 | Sealing ring | 1 |
| | M98 | 92-07 | 13-24 | 745331 | Plug | 1 |
| | M321 | 92-07 | 13-24 | 519114 | Shuttle valve assembly | 1 |
| | M360 | 92-07 | 13-24 | 092114 (9007712-0604) | Set screw | 4 |



Variable Displacement Motor



* = included in base motor seal kit Q210

E100 334E
Enlarged **bold** type item numbers are recommended part to stock for servicing.


Variable Displacement Motor
Electric 2-position with solenoid valve

| Order code | Item | Date begin | Date end | Part number | Part name | Qty. per model/kit |
|------------|-------|------------|----------|-----------------------|--|--------------------|
| T9 | F32 | 08-51 | | 503380 | 4-way valve assembly | 1 |
| | F324 | 08-51 | | 730036 | O-ring | 2 |
| | G420 | 08-51 | | 511810 | Gasket/O-ring seal (SB-2002-001) | 1 |
| | M12 | 08-51 | | 11082448 | Sensing piston | 1 |
| | M16 | 08-51 | | 140644 | Plug assembly | 1 |
| | M18 | 08-51 | | 11040532 | Plug assembly | 1 |
| | M22 | 08-51 | | 732982 (9007314-1009) | Screw | 4 |
| | M1 | 08-51 | | 11047613 | Solenoid valve, 12 volt, Deutsch connector | 1 |
| | M200 | 08-51 | | 11047612 | Coil kit, 12 volt, Deutsch connector | 1 |
| | QM200 | 08-51 | | 11121272 | Coil nut kit | 1 |

Pressure compensator

| | | | | | | |
|----|------|-------|-------|----------|----------------------------------|---|
| TA | F32 | 97-02 | | 503380 | 4-way valve assembly | 1 |
| | F324 | 97-02 | | 730036 | O-ring | 2 |
| | G36 | 97-02 | 03-07 | 364968 | O-ring (SB-2002-001) | 1 |
| | G38 | 97-02 | 03-07 | 792739 | O-ring (SB-2002-001) | 3 |
| | G42 | 97-02 | 03-07 | 754580 | O-ring (SB-2002-001) | 3 |
| | G420 | 03-08 | | 511810 | Gasket/O-ring seal (SB-2002-001) | 1 |
| | M1TA | 97-02 | | 140644 | Plug assembly | 1 |
| | M12 | 97-02 | | 11082448 | Sensing piston | 1 |
| | M16 | 97-02 | | 140644 | Plug assembly | 1 |
| | M18 | 97-02 | | 11040532 | Plug assembly | 1 |
| | M22 | 97-02 | | 732982 | Screw | 4 |

Hydraulic 2-position

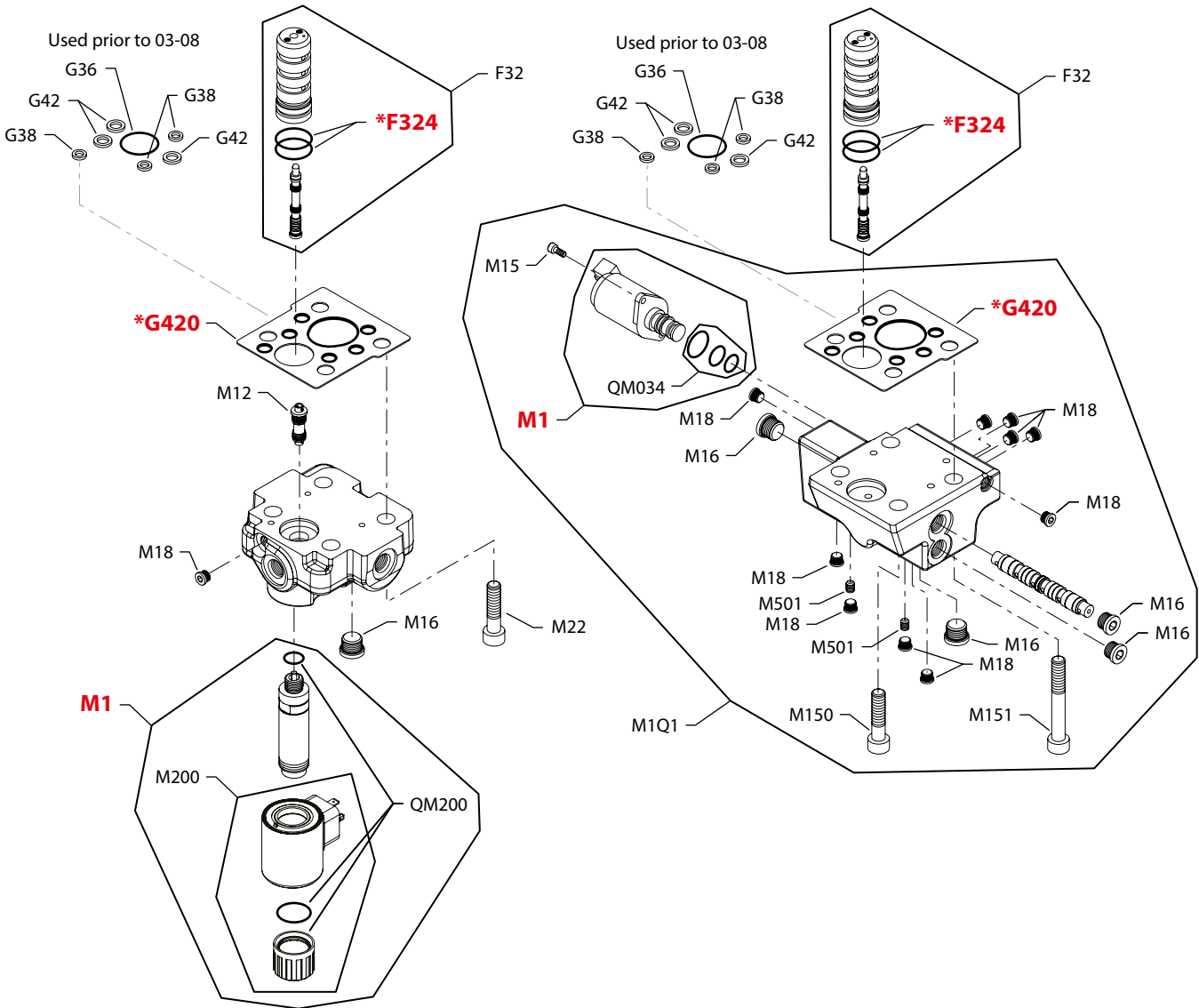
| | | | | | | |
|----|------|-------|-------|----------|----------------------------------|---|
| TH | F32 | 97-02 | | 503380 | 4-way valve assembly | 1 |
| | F324 | 97-02 | | 730036 | O-ring | 2 |
| | G36 | 97-02 | 03-07 | 364968 | O-ring (SB-2002-001) | 1 |
| | G38 | 97-02 | 03-07 | 792739 | O-ring (SB-2002-001) | 3 |
| | G42 | 97-02 | 03-07 | 754580 | O-ring (SB-2002-001) | 3 |
| | G420 | 03-08 | | 511810 | Gasket/O-ring seal (SB-2002-001) | 1 |
| | M12 | 97-02 | | 11083129 | Sensing piston | 1 |
| | M16 | 97-02 | | 140644 | Plug assembly | 1 |
| | M18 | 97-02 | | 11040532 | Plug assembly | 1 |
| | M22 | 97-02 | | 732982 | Screw | 4 |



Variable Displacement Motor

(U1 & U2)

(Y7)



E100 271E

* = included in base motor seal kit Q210

Enlarged **bold** type item numbers are recommended part to stock for servicing.


Variable Displacement Motor
Electric 2-position

| Order code | Item | Date begin | Date end | Part number | Part name | Qty. per model/kit | |
|------------|-------|------------|----------|-----------------------|--|----------------------|---|
| U1 | F32 | 99-30 | | 503925 | 4-way valve assembly | 1 | |
| | F324 | 99-30 | | 730036 | O-ring | 2 | |
| | G36 | 99-30 | 03-07 | 364968 | O-ring (SB-2002-001) | 1 | |
| | G38 | 99-30 | 03-07 | 792739 | O-ring (SB-2002-001) | 3 | |
| | G42 | 99-30 | 03-07 | 754580 | O-ring (SB-2002-001) | 3 | |
| | G420 | 03-08 | | 511810 | Gasket/O-ring seal (SB-2002-001) | 1 | |
| | M1 | 99-30 | | 11026435 | Solenoid valve, 12 volt, DIN connector | 1 | |
| | M12 | 99-30 | | 507292 | Piston | 1 | |
| | M16 | 99-30 | | 140644 | Plug assembly | 1 | |
| | M18 | 99-30 | | 11040532 | Plug assembly | 1 | |
| | M22 | 99-30 | | 732982 (9007314-1009) | Screw | 4 | |
| | M200 | 99-30 | | 11026448 | Coil kit, 12 volt, Din connector | 1 | |
| | QM200 | 99-30 | | 11121273 | Coil nut kit | 1 | |
| | U2 | F32 | 99-30 | | 503925 | 4-way valve assembly | 1 |
| | | F324 | 99-30 | | 730036 | O-ring | 2 |
| G36 | | 99-30 | 03-07 | 364968 | O-ring (SB-2002-001) | 1 | |
| G38 | | 99-30 | 03-07 | 792739 | O-ring (SB-2002-001) | 3 | |
| G42 | | 99-30 | 03-07 | 754580 | O-ring (SB-2002-001) | 3 | |
| G420 | | 03-08 | | 511810 | Gasket/O-ring seal (SB-2002-001) | 1 | |
| M1 | | 99-30 | | 11026436 | Solenoid valve, 24 volt, DIN connector | 1 | |
| M12 | | 99-30 | | 507292 | Piston | 1 | |
| M16 | | 99-30 | | 140644 | Plug assembly | 1 | |
| M18 | | 99-30 | | 11040532 | Plug assembly | 1 | |
| M22 | | 99-30 | | 732982 (9007314-1009) | Screw | 4 | |
| M200 | | 99-30 | | 11026449 | Coil kit, 24 volt, Din connector | 1 | |
| QM200 | | 99-30 | | 11121273 | Coil nut kit | 1 | |

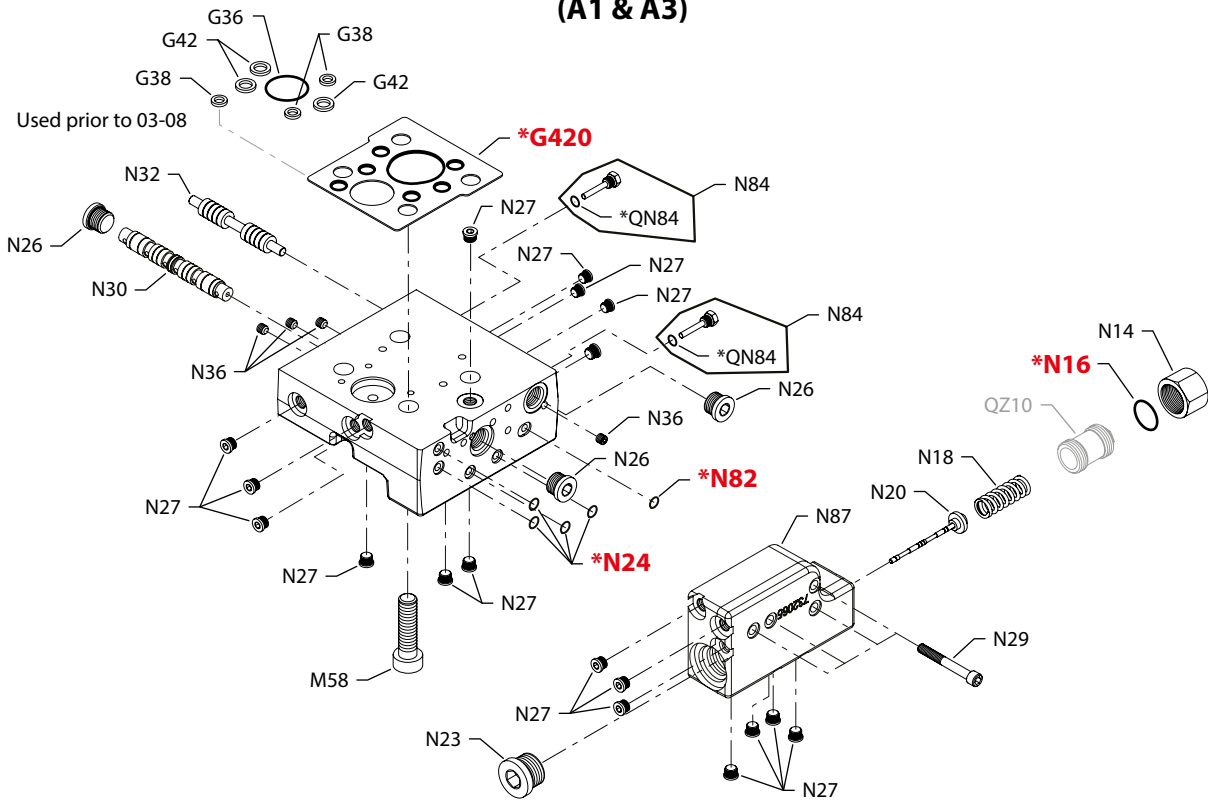
Electric proportional

| | | | | | | |
|----|-------|-------|-------|----------|--|----|
| Y7 | F32 | 01-01 | | 727115 | 4-way valve assembly | 1 |
| | F324 | 01-01 | | 730036 | O-ring | 2 |
| | G36 | 01-01 | 03-07 | 364968 | O-ring (SB-2002-001) | 1 |
| | G38 | 01-01 | 03-07 | 792739 | O-ring (SB-2002-001) | 3 |
| | G42 | 01-01 | 03-07 | 754580 | O-ring (SB-2002-001) | 3 |
| | G420 | 03-08 | | 511810 | Gasket/O-ring seal (SB-2002-001) | 1 |
| | M1 | 01-01 | | 518080 | Solenoid valve, 12 volt, Jet connector | 1 |
| | M1Q1 | 01-01 | | 519577 | Control kit | 1 |
| | M15 | 01-01 | | 067694 | Screw | 2 |
| | M16 | 01-01 | | 140644 | Plug assembly | 4 |
| | M18 | 01-01 | | 11040532 | Plug assembly | 10 |
| | M150 | 01-01 | | 672295 | Screw | 2 |
| | M151 | 01-01 | | 502580 | Screw | 2 |
| | M321 | 01-01 | | 519114 | Spool | 1 |
| | M501 | 01-01 | | 578542 | Orifice, 0.8, M6 x 8 | 2 |
| | QM034 | 01-01 | | 11099849 | Solenoid valve seal kit | 1 |

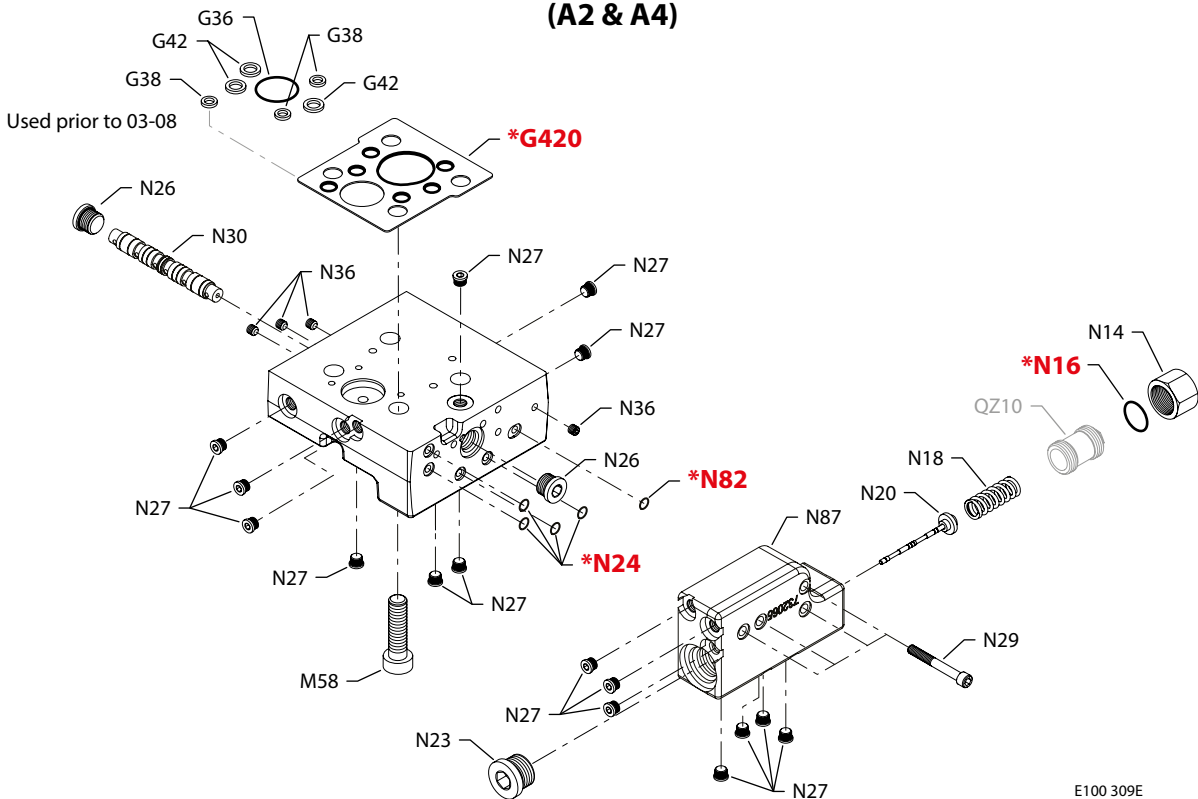


Variable Displacement Motor

(A1 & A3)



(A2 & A4)



* = included in base motor seal kit Q210

E100 309E
Enlarged **bold** type item numbers are recommended part to stock for servicing.

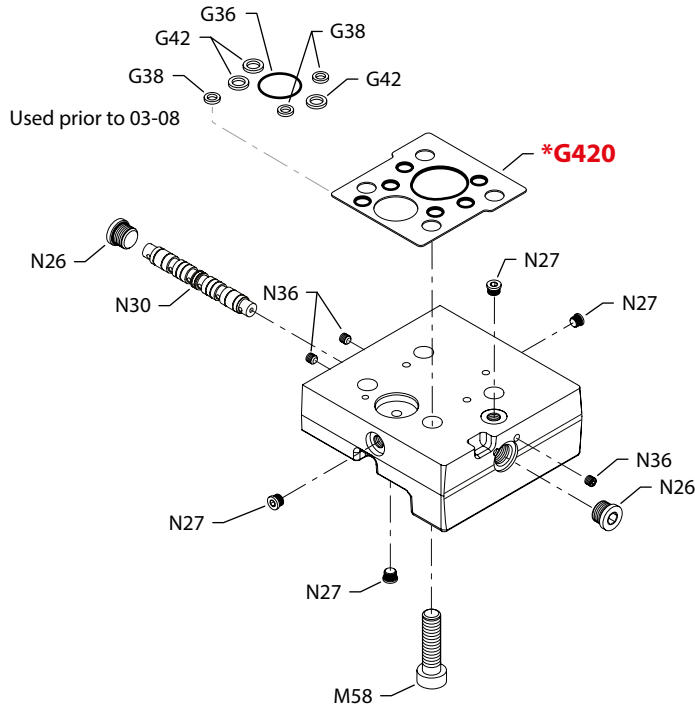

Variable Displacement Motor
Servo pressure supply

| Order code | Item | Date begin | Date end | Part number | Part name | Qty. per model/kit |
|------------|-------|------------|----------|-----------------------|----------------------------------|--------------------|
| A1 & A3 | G36 | 92-07 | 03-07 | 364968 | O-ring (SB-2002-001) | 1 |
| | G38 | 92-07 | 03-07 | 792739 | O-ring (SB-2002-001) | 3 |
| | G42 | 92-07 | 03-07 | 754580 | O-ring (SB-2002-001) | 3 |
| | G420 | 03-08 | | 511810 | Gasket/O-ring seal (SB-2002-001) | 1 |
| | N14 | 92-07 | | 342709 (9003575-0101) | Nut | 1 |
| | N16 | 92-07 | | 001149 (9004201-6200) | O-ring | 1 |
| | N18 | 92-07 | | 509152 | Spring | 1 |
| | N20 | 92-07 | | 746016 | Relief valve | 1 |
| | N23 | 92-07 | | 315325 (9005110-8700) | Plug assembly | 1 |
| | N24 | 92-07 | | 732479 (9004105-0100) | O-ring | 4 |
| | N26 | 92-07 | | 140644 | Plug assembly | 3 |
| | N27 | 92-07 | | 11040532 | Plug assembly | 18 |
| | N29 | 92-07 | | 713719 (9007314-0610) | Screw | 4 |
| | N30 | 92-07 | | 519114 | Shuttle valve assembly | 1 |
| | N32 | 92-07 | | 346080 | Spool | 1 |
| | N36 | 92-07 | | 092114 (9007712-0604) | Set screw | 4 |
| | N58 | 92-07 | | 732982 | Screw | 4 |
| | N82 | 92-07 | | 732479 (9004105-0100) | O-ring | 1 |
| | N84 | 92-07 | | 735266 | Stop assembly | 2 |
| | QN84 | 92-07 | | 039297 (9004201-1200) | O-ring | 2 |
| N87 | 92-07 | | 503887 | PCOR housing assembly | 1 | |
| A2 & A4 | G36 | 92-07 | 03-07 | 364968 | O-ring (SB-2002-001) | 1 |
| | G38 | 92-07 | 03-07 | 792739 | O-ring (SB-2002-001) | 3 |
| | G42 | 92-07 | 03-07 | 754580 | O-ring (SB-2002-001) | 3 |
| | G420 | 03-08 | | 511810 | Gasket/O-ring seal (SB-2002-001) | 1 |
| | N14 | 92-07 | | 342709 (9003575-0101) | Nut | 1 |
| | N16 | 92-07 | | 001149 (9004201-6200) | O-ring | 1 |
| | N18 | 92-07 | | 509152 | Spring | 1 |
| | N20 | 92-07 | | 746016 | Relief valve | 1 |
| | N23 | 92-07 | | 315325 (9005110-8700) | Plug assembly | 1 |
| | N24 | 92-07 | | 732479 (9004105-0100) | O-ring | 4 |
| | N26 | 92-07 | | 140644 | Plug assembly | 2 |
| | N27 | 92-07 | | 11040532 | Plug assembly | 16 |
| | N29 | 92-07 | | 713719 (9007314-0610) | Screw | 4 |
| | N30 | 92-07 | | 519114 | Shuttle valve assembly | 1 |
| | N36 | 92-07 | | 092114 (9007712-0604) | Set screw | 4 |
| | N58 | 92-07 | | 732982 | Screw | 4 |
| | N82 | 92-07 | | 732479 (9004105-0100) | O-ring | 1 |
| | N87 | 92-07 | | 503887 | PCOR housing assembly | 1 |

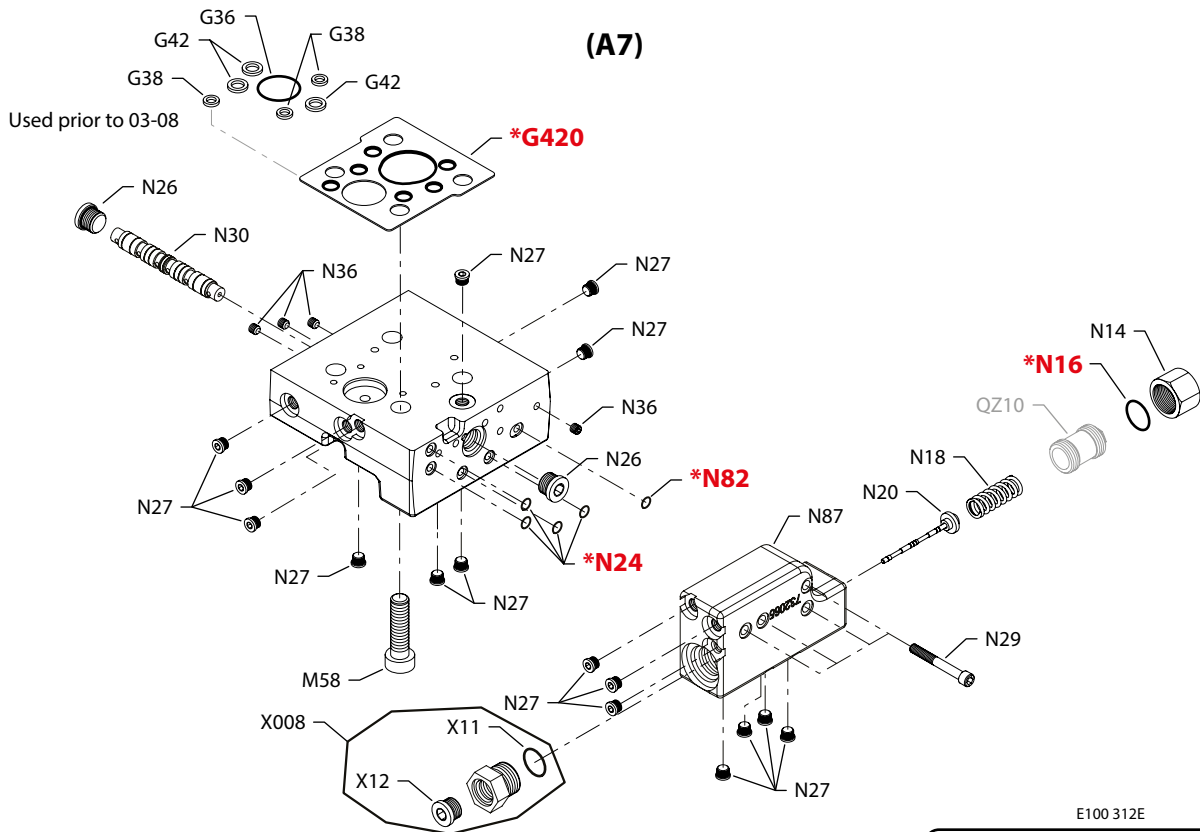


Variable Displacement Motor

(A5 & A6)



(A7)



* = included in base motor seal kit Q210

E100 312E
Enlarged **bold** type item numbers are recommended part to stock for servicing.

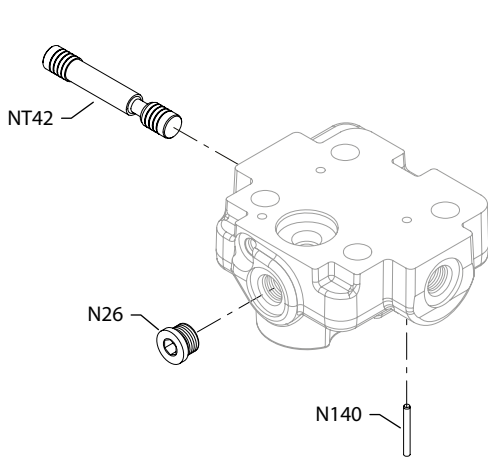

Variable Displacement Motor
Servo pressure supply

| Order code | Item | Date begin | Date end | Part number | Part name | Qty. per model/kit |
|------------|------|------------|----------|-----------------------|----------------------------------|--------------------|
| A5 & A6 | G36 | 92-07 | 03-07 | 364968 | O-ring (SB-2002-001) | 1 |
| | G38 | 92-07 | 03-07 | 792739 | O-ring (SB-2002-001) | 3 |
| | G42 | 92-07 | 03-07 | 754580 | O-ring (SB-2002-001) | 3 |
| | G420 | 03-08 | | 511810 | Gasket/O-ring seal (SB-2002-001) | 1 |
| | N26 | 92-07 | | 140644 | Plug assembly | 2 |
| | N27 | 92-07 | | 11040532 | Plug assembly | 4 |
| | N30 | 92-07 | | 519114 | Shuttle valve assembly | 1 |
| | N36 | 92-07 | | 092114 (9007712-0604) | Set screw | 4 |
| | N58 | 92-07 | | 732982 | Screw | 4 |
| A7 | G36 | 01-07 | 03-07 | 364968 | O-ring (SB-2002-001) | 1 |
| | G38 | 01-07 | 03-07 | 792739 | O-ring (SB-2002-001) | 3 |
| | G42 | 01-07 | 03-07 | 754580 | O-ring (SB-2002-001) | 3 |
| | G420 | 03-08 | | 511810 | Gasket/O-ring seal (SB-2002-001) | 1 |
| | N14 | 01-07 | | 342709 (9003575-0101) | Nut | 1 |
| | N16 | 01-07 | | 001149 (9004201-6200) | O-ring | 1 |
| | N18 | 01-07 | | 509152 | Spring | 1 |
| | N20 | 01-07 | | 746016 | Relief valve | 1 |
| | N24 | 01-07 | | 732479 (9004105-0100) | O-ring | 4 |
| | N26 | 01-07 | | 140644 | Plug assembly | 2 |
| | N27 | 01-07 | | 11040532 | Plug assembly | 16 |
| | N29 | 01-07 | | 713719 (9007314-0610) | Screw | 4 |
| | N30 | 01-07 | | 519114 | Shuttle valve assembly | 1 |
| | N36 | 01-07 | | 092114 (9007712-0604) | Set screw | 4 |
| | N58 | 01-07 | | 732982 | Screw | 4 |
| | N82 | 01-07 | | 732479 (9004105-0100) | O-ring | 1 |
| | N87 | 01-07 | | 503887 | PCOR housing assembly | 1 |
| | X008 | 01-07 | | 779587 | Adapter plug assembly | 1 |
| | X11 | 01-07 | | 001149 (9004201-6200) | O-ring | 1 |
| | X12 | 01-07 | | 140644 | Plug assembly | 1 |

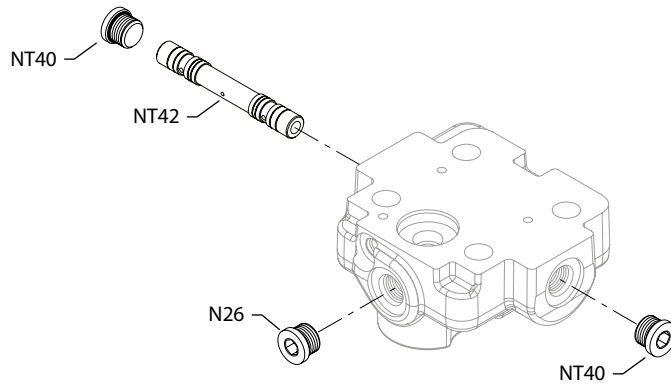


Variable Displacement Motor

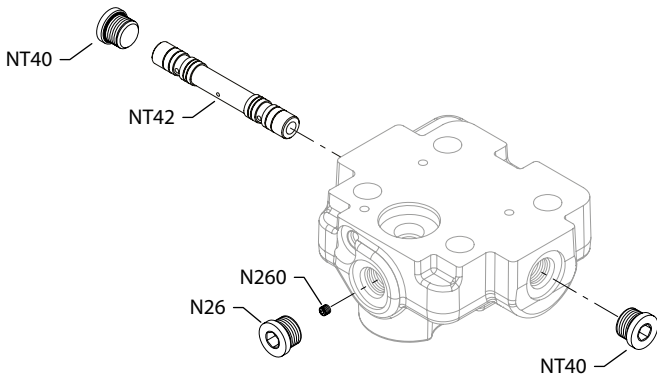
(C0)



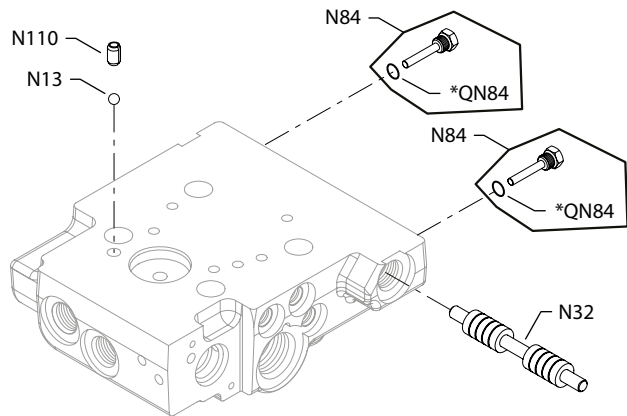
(C2)



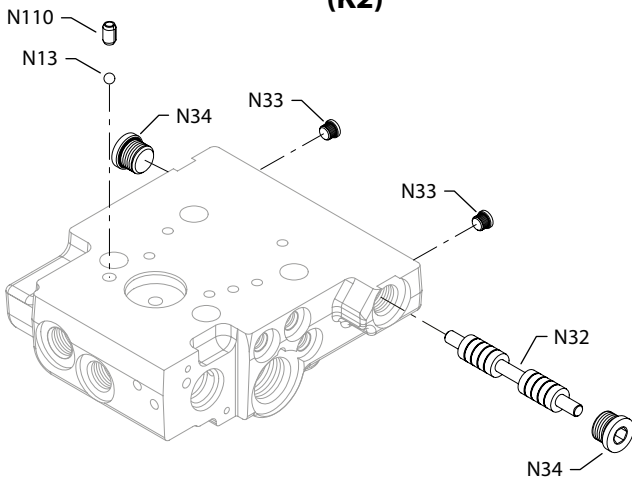
(C5)



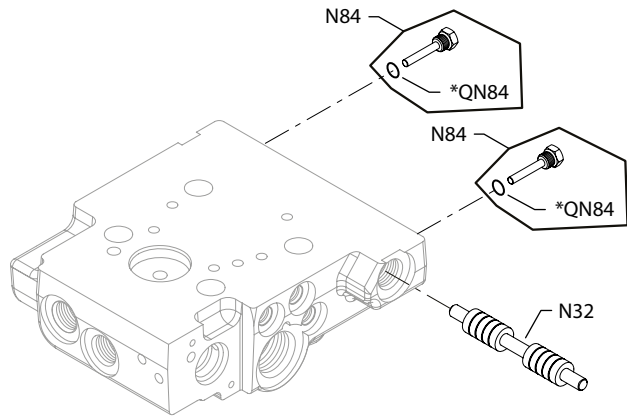
(K1)



(K2)



(K5)



* = included in base pump seal kit Q210

E100 656E
Enlarged **bold** type item numbers are recommended part to stock for servicing.

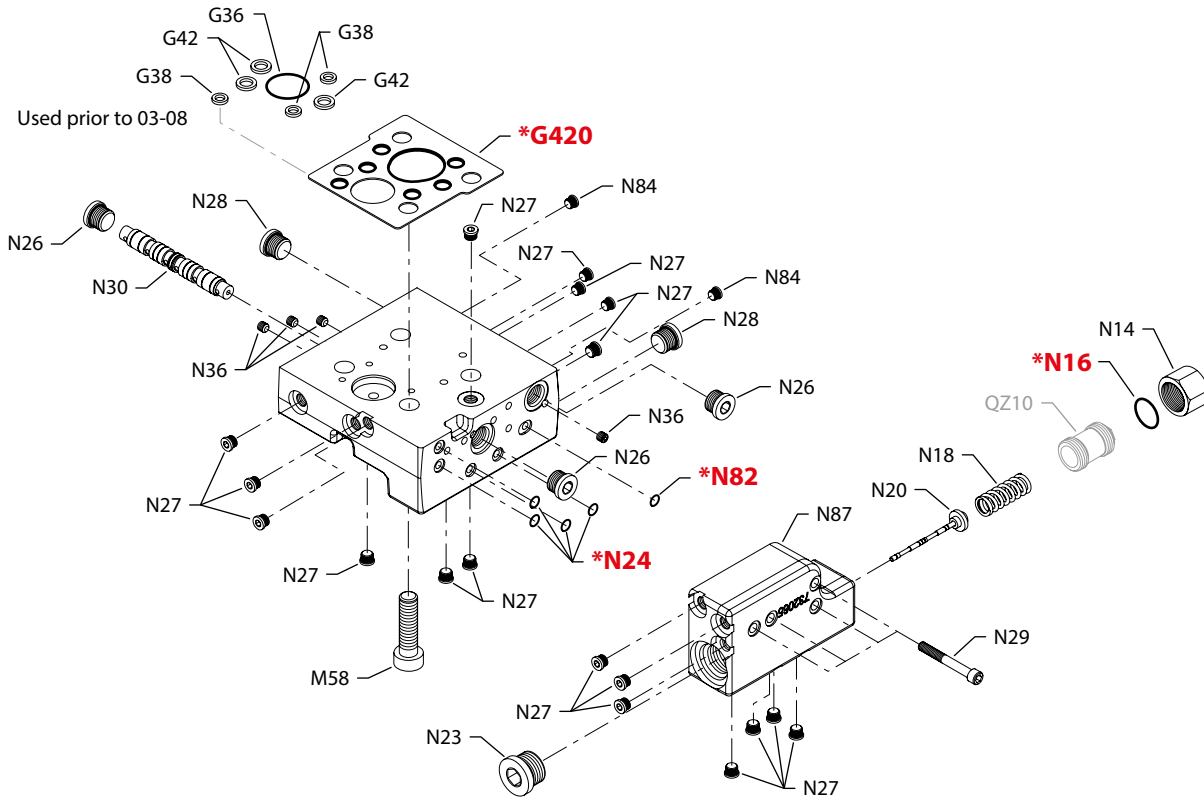

Variable Displacement Motor
Servo pressure supply

| Order code | Item | Date begin | Date end | Part number | Part name | Qty. per model/kit |
|-------------|------|------------|----------|-----------------------|---------------|--------------------|
| B1, B2 & B3 | | | | No parts | | |
| C0 | N26 | 96-10 | | 140644 | Plug assembly | 1 |
| | N140 | 96-10 | | 503503 | Pin | 1 |
| | NT42 | 96-10 | | 508175 | Spool | 1 |
| C2 | N26 | 95-15 | | 140644 | Plug assembly | 1 |
| | NT40 | 95-15 | | 140644 | Plug assembly | 2 |
| | NT42 | 95-15 | | 508156 | Spool | 1 |
| C5 | N26 | 95-15 | | 140644 | Plug assembly | 1 |
| | N260 | 96-31 | | 913897 (9007712-0605) | Set screw | 1 |
| | NT40 | 95-15 | | 140644 | Plug assembly | 2 |
| | NT42 | 95-15 | | 508156 | Spool | 1 |
| K1 | N13 | 95-24 | | 915967 | Ball | 1 |
| | N32 | 95-24 | | 346080 | Spool | 1 |
| | N84 | 95-24 | | 735266 | Stop assembly | 2 |
| | N110 | 95-24 | | 505522 | Slotted pin | 1 |
| | QN84 | 95-24 | | 039297 (9004201-1200) | O-ring | 2 |
| K2 | N110 | 95-24 | | 505522 | Slotted pin | 1 |
| | N13 | 95-24 | | 915967 | Ball | 1 |
| | N32 | 95-24 | | 505462 | Spool | 1 |
| | N33 | 95-24 | | 11040532 | Plug assembly | 2 |
| | N34 | 95-15 | | 140644 | Plug assembly | 2 |
| K5 | N32 | 95-24 | | 346080 | Piston | 1 |
| | N84 | 95-24 | | 735266 | Stop assembly | 2 |
| | QN84 | 95-24 | | 039297 (9004201-1200) | O-ring | 2 |

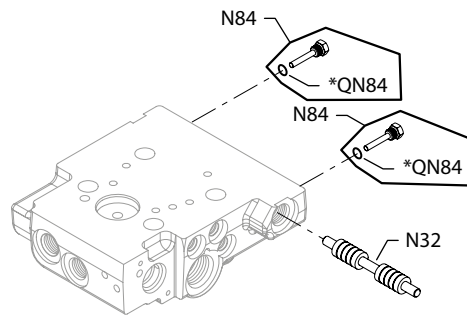


Variable Displacement Motor

(L2, L4, R2 & R4)



(M1)



* = included in base motor seal kit Q210

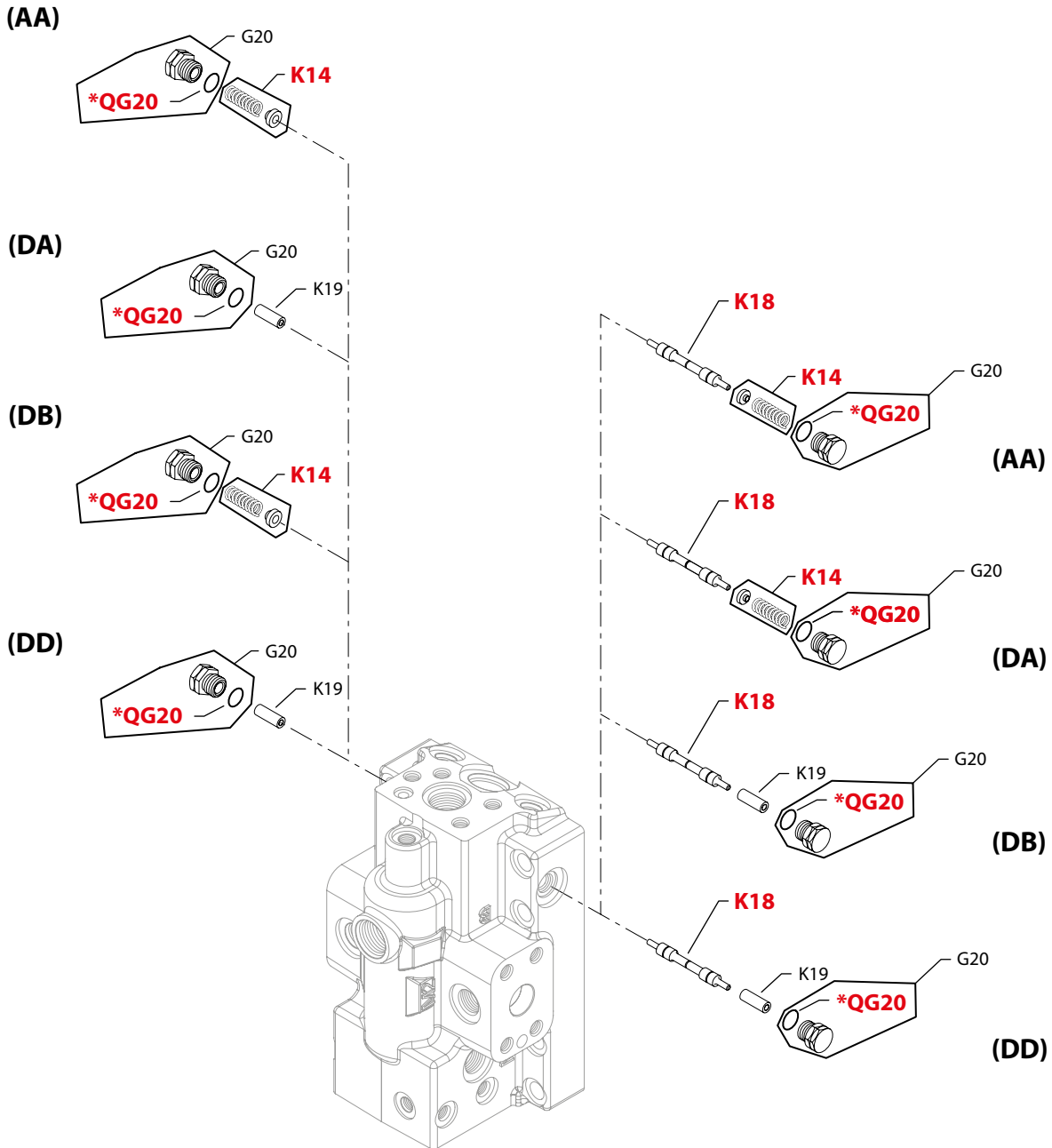
E100 313E
Enlarged **bold** type item numbers are recommended part to stock for servicing.


Variable Displacement Motor
Servo pressure supply

| Order code | Item | Date begin | Date end | Part number | Part name | Qty. per model/kit |
|------------|------|------------|----------|-----------------------|----------------------------------|--------------------|
| L2 & L4 | G36 | 92-07 | 03-07 | 364968 | O-ring (SB-2002-001) | 1 |
| | G38 | 92-07 | 03-07 | 792739 | O-ring (SB-2002-001) | 3 |
| | G42 | 92-07 | 03-07 | 754580 | O-ring (SB-2002-001) | 3 |
| | G420 | 03-08 | | 511810 | Gasket/O-ring seal (SB-2002-001) | 1 |
| | N14 | 92-07 | | 342709 (9003575-0101) | Nut | 1 |
| | N16 | 92-07 | | 001149 (9004201-6200) | O-ring | 1 |
| | N18 | 92-07 | | 509152 | Spring | 1 |
| | N20 | 92-07 | | 746016 | Relief valve | 1 |
| | N23 | 92-07 | | 315325 (9005110-8700) | Plug assembly | 1 |
| | N24 | 92-07 | | 732479 (9004105-0100) | O-ring | 4 |
| | N26 | 92-07 | | 140644 | Plug assembly | 3 |
| | N27 | 92-07 | | 11040532 | Plug assembly | 18 |
| | N28 | 92-07 | | 140644 | Plug assembly | 2 |
| | N29 | 92-07 | | 713719 (9007314-0610) | Screw | 4 |
| | N30 | 92-07 | | 519114 | Shuttle valve assembly | 1 |
| | N36 | 92-07 | | 092114 (9007712-0604) | Set screw | 4 |
| | N58 | 92-07 | | 732982 | Screw | 4 |
| | N82 | 92-07 | | 732479 (9004105-0100) | O-ring | 1 |
| | N84 | 92-07 | | 11040532 | Plug assembly | 2 |
| | N87 | 92-07 | | 503887 | PCOR housing assembly | 1 |
| M1 | N32 | 95-24 | | 346080 | Piston | 1 |
| | N84 | 95-24 | | 735266 | Stop assembly | 2 |
| | QN84 | 95-24 | | 039297 (9004201-1200) | O-ring | 2 |
| NN | | | No parts | | | |
| R2 & R4 | G36 | 92-07 | 03-07 | 364968 | O-ring (SB-2002-001) | 1 |
| | G38 | 92-07 | 03-07 | 792739 | O-ring (SB-2002-001) | 3 |
| | G42 | 92-07 | 03-07 | 754580 | O-ring (SB-2002-001) | 3 |
| | G420 | 03-08 | | 511810 | Gasket/O-ring seal (SB-2002-001) | 1 |
| | N14 | 92-07 | | 342709 (9003575-0101) | Nut | 1 |
| | N16 | 92-07 | | 001149 (9004201-6200) | O-ring | 1 |
| | N18 | 92-07 | | 509152 | Spring | 1 |
| | N20 | 92-07 | | 746016 | Relief valve | 1 |
| | N23 | 92-07 | | 315325 (9005110-8700) | Plug assembly | 1 |
| | N24 | 92-07 | | 732479 (9004105-0100) | O-ring | 4 |
| | N26 | 92-07 | | 140644 | Plug assembly | 3 |
| | N27 | 92-07 | | 11040532 | Plug assembly | 18 |
| | N28 | 92-07 | | 140644 | Plug assembly | 2 |
| | N29 | 92-07 | | 713719 (9007314-0610) | Screw | 4 |
| | N30 | 92-07 | | 519114 | Shuttle valve assembly | 1 |
| | N36 | 92-07 | | 092114 (9007712-0604) | Set screw | 4 |
| | N58 | 92-07 | | 732982 | Screw | 4 |
| | N82 | 92-07 | | 732479 (9004105-0100) | O-ring | 1 |
| | N84 | 92-07 | | 11040532 | Plug assembly | 2 |
| | N87 | 92-07 | | 503887 | PCOR housing assembly | 1 |



Variable Displacement Motor



E103 131E

* = included in base motor seal kit Q210

Enlarged **bold** type item numbers are recommended part to stock for servicing.

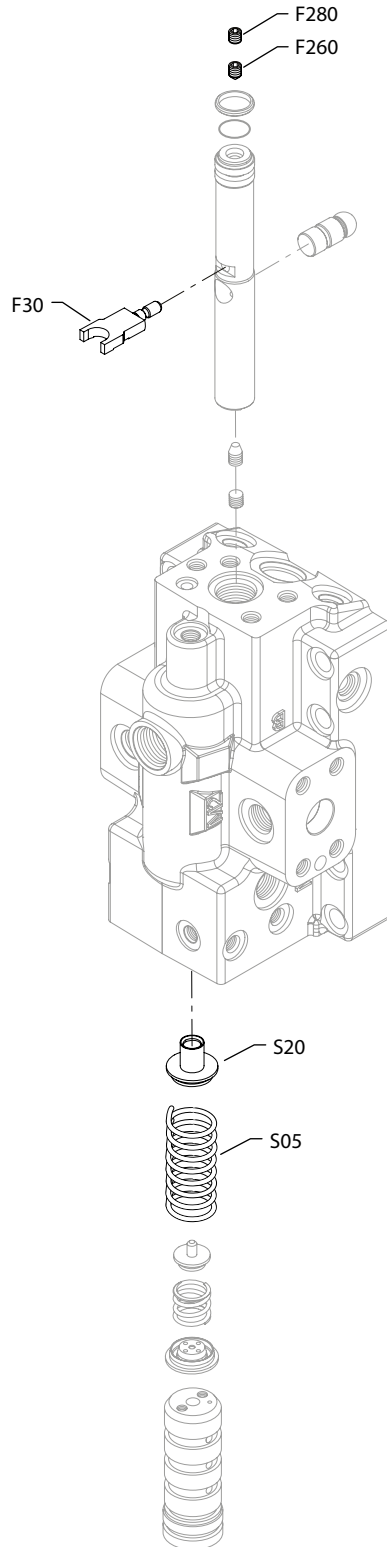

Variable Displacement Motor
Loop flushing

| Order code | Item | Date begin | Date end | Part number | Part name | Qty. per model/kit |
|------------|------|------------|----------|-----------------------|-----------------------------------|--------------------|
| AA | G20 | 92-07 | | 518016 | Plug assembly | 2 |
| | K14 | 92-07 | | 513596 | Spring seat assembly SB-2000-044) | 2 |
| | K18 | 92-07 | | 367789 | Loop flushing spool | 1 |
| | QG20 | 92-07 | | 085043 (9004201-3700) | O-ring | 2 |
| DA | G20 | 11-15 | | 518016 | Plug assembly | 2 |
| | K14 | 11-15 | | 513596 | Spring seat assembly | 1 |
| | K18 | 11-15 | | 367789 | Loop flushing spool | 1 |
| | K19 | 11-15 | | 11020889 | Spacer | 1 |
| | QG20 | 11-15 | | 085043 (9004201-3700) | O-ring | 2 |
| DB | G20 | 11-15 | | 518016 | Plug assembly | 2 |
| | K14 | 11-15 | | 513596 | Spring seat assembly | 1 |
| | K18 | 11-15 | | 367789 | Loop flushing spool | 1 |
| | K19 | 11-15 | | 11020889 | Spacer | 1 |
| | QG20 | 11-15 | | 085043 (9004201-3700) | O-ring | 2 |
| DD | G20 | 11-15 | | 518016 | Plug assembly | 2 |
| | K18 | 11-15 | | 367789 | Loop flushing spool | 1 |
| | K19 | 11-15 | | 11020889 | Spacer | 2 |
| | QG20 | 11-15 | | 085043 (9004201-3700) | O-ring | 2 |
| NN | | | | No parts | | |



Variable Displacement Motor

(A, B, D, E, H, J, K,
L, U, Y & Z)




Variable Displacement Motor
Control ramp common parts

| Order code | Item | Date begin | Date end | Part number | Part name | Qty. per model/kit |
|------------|------|------------|----------|-----------------------|-------------------|--------------------|
| | F30 | 92-07 | | 733105 | Servo piston link | 1 |
| | F260 | 92-07 | | 733089 | Set screw | 1 |
| | F280 | 92-07 | | 010397 (9007712-0606) | Set screw | 1 |

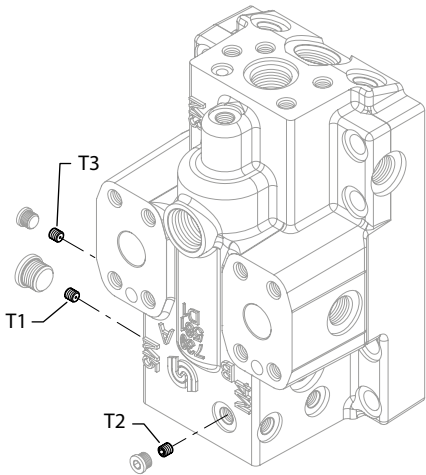
Control ramp

| | | | | | | |
|-------|-----|-------|--|----------|--------------|---|
| A & B | S05 | 95-36 | | 729145 | Spring | 1 |
| | S20 | 95-36 | | 722256 | Spring guide | 1 |
| D | S05 | 92-07 | | 729160 | Spring | 1 |
| | S20 | 92-07 | | 722256 | Spring guide | 1 |
| E | S05 | 92-07 | | 729145 | Spring | 1 |
| | S20 | 92-07 | | 722256 | Spring guide | 1 |
| H | S05 | 92-07 | | 729186 | Spring | 1 |
| | S20 | 92-07 | | 722256 | Spring guide | 1 |
| J | S05 | 99-35 | | 729186 | Spring | 1 |
| | S20 | 99-35 | | 722256 | Spring guide | 1 |
| K | S05 | 99-35 | | 729186 | Spring | 1 |
| | S20 | 99-35 | | 722256 | Spring guide | 1 |
| L | S05 | 92-07 | | 729145 | Spring | 1 |
| | S20 | 92-07 | | 722256 | Spring guide | 1 |
| N | | | | No parts | | |
| U | S05 | 92-07 | | 729178 | Spring | 1 |
| | S20 | 92-07 | | 722256 | Spring guide | 1 |
| Y | S05 | 92-07 | | 729186 | Spring | 1 |
| | S20 | 92-07 | | 722256 | Spring guide | 1 |
| Z | S05 | 92-07 | | 729194 | Spring | 1 |
| | S20 | 92-07 | | 722256 | Spring guide | 1 |

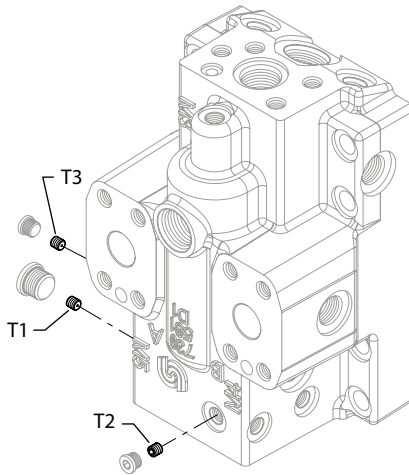


Variable Displacement Motor

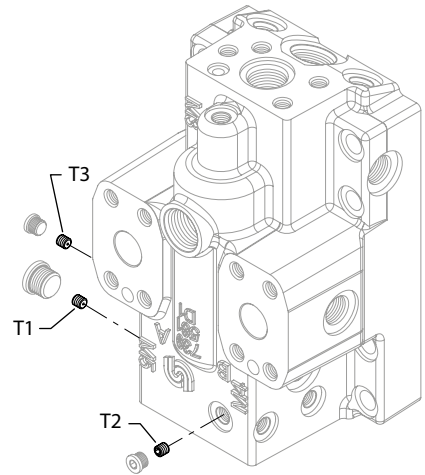
(A0)



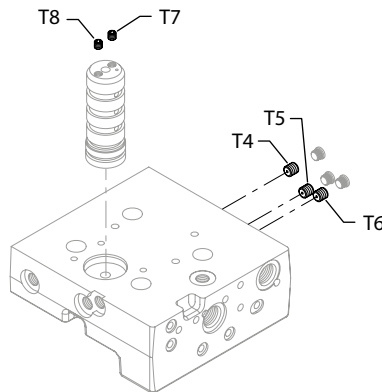
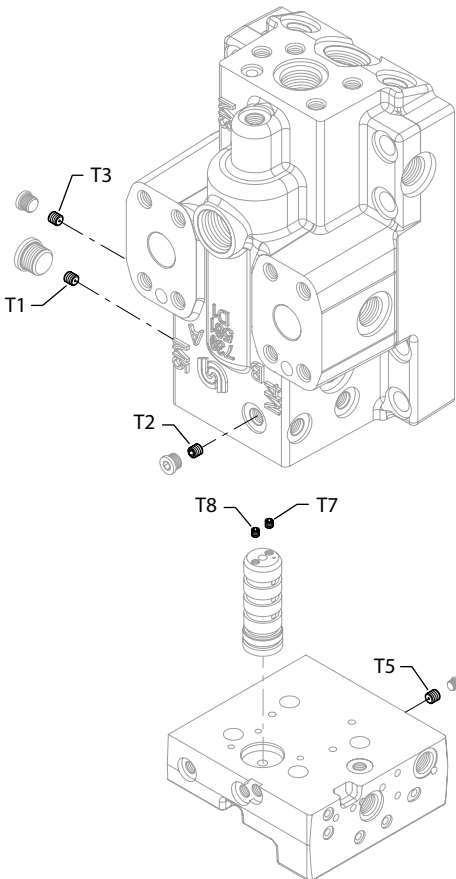
(A2, A8 & B6)



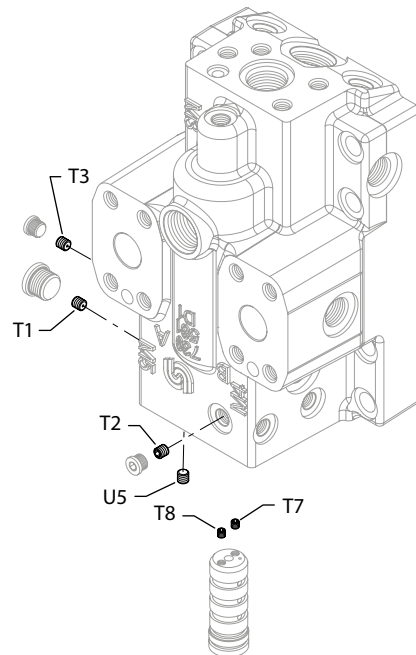
(A6)



(A7)



(A9)

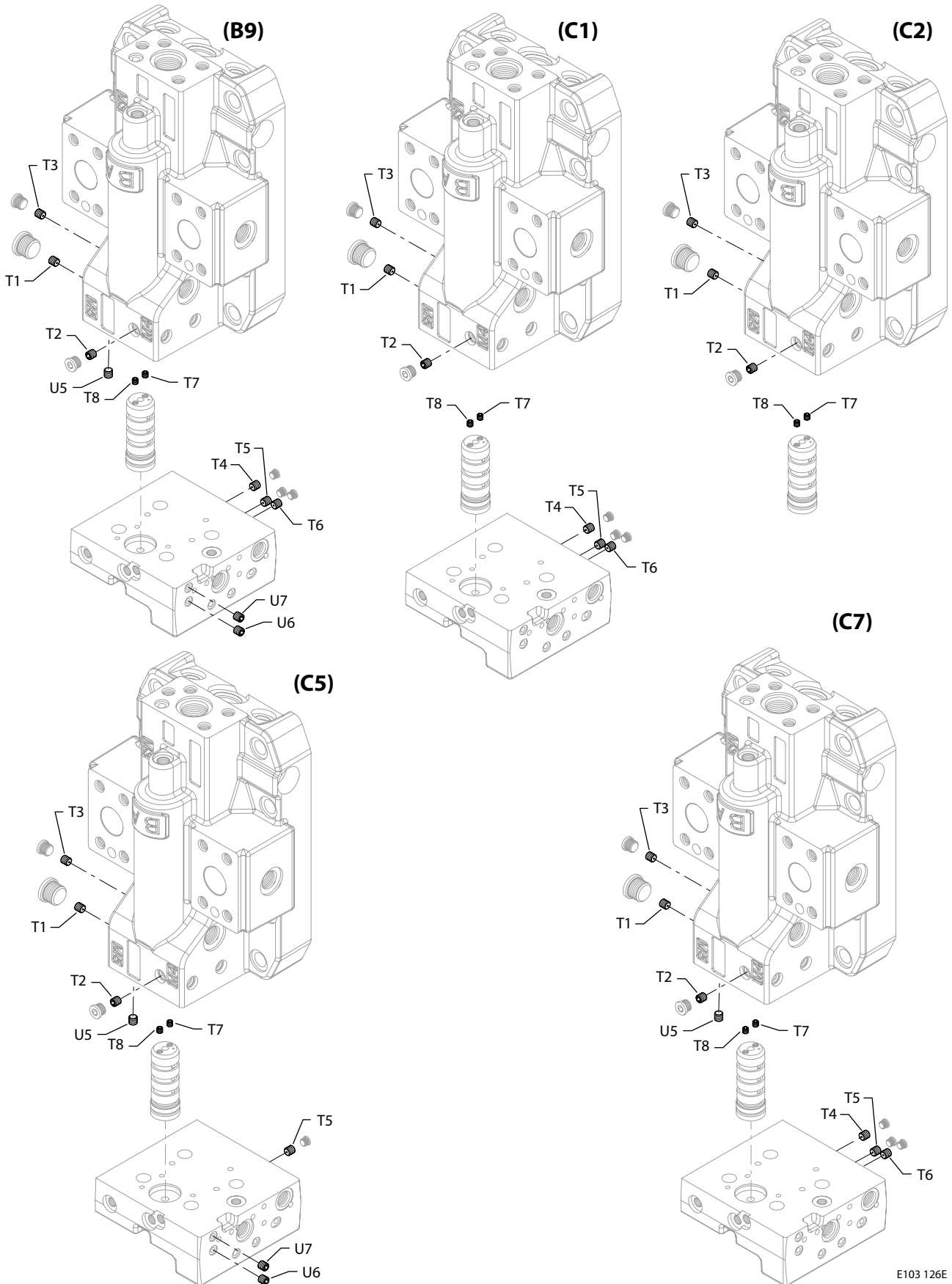



Variable Displacement Motor
Orifice

| Order code | Item | Date begin | Date end | Part number | Part name | Qty. per model/kit |
|------------|------|------------|----------|-----------------------|----------------------|--------------------|
| A0 | T1 | 92.38 | | 913897 (9007712-0605) | Set screw | 1 |
| | T2 | 92.38 | | 913897 (9007712-0605) | Set screw | 1 |
| | T3 | 92.38 | | 913897 (9007712-0605) | Set screw | 1 |
| A2 | T1 | 92-07 | | 679316 | Orifice. 0.5, M6 x 8 | 1 |
| | T2 | 92-07 | | 578542 | Orifice, 0.8, M6 x 8 | 1 |
| | T3 | 92-07 | | 578542 | Orifice, 0.8, M6 x 8 | 1 |
| | T4 | 92-07 | | 578542 | Orifice, 0.8, M6 x 8 | 1 |
| | T5 | 92-07 | | 913897 (9007712-0605) | Set screw | 1 |
| | T6 | 92-07 | | 578542 | Orifice, 0.8, M6 x 8 | 1 |
| | T7 | 92-07 | | 639096 | Orifice. 0.6, M5 x 6 | 1 |
| | T8 | 92-07 | | 639096 | Orifice. 0.6, M5 x 6 | 1 |
| A6 | T1 | 92-07 | | 679316 | Orifice. 0.5, M6 x 8 | 1 |
| | T2 | 92-07 | | 578542 | Orifice, 0.8, M6 x 8 | 1 |
| | T3 | 92-07 | | 578542 | Orifice, 0.8, M6 x 8 | 1 |
| | T7 | 92-07 | | 639096 | Orifice. 0.6, M5 x 6 | 1 |
| | T8 | 92-07 | | 639096 | Orifice. 0.6, M5 x 6 | 1 |
| A7 | T1 | 92-07 | | 679316 | Orifice. 0.5, M6 x 8 | 1 |
| | T2 | 92-07 | | 578542 | Orifice, 0.8, M6 x 8 | 1 |
| | T3 | 92-07 | | 578542 | Orifice, 0.8, M6 x 8 | 1 |
| | T5 | 92-07 | | 578542 | Orifice, 0.8, M6 x 8 | 1 |
| | T7 | 92-07 | | 639096 | Orifice. 0.6, M5 x 6 | 1 |
| | T8 | 92-07 | | 639096 | Orifice. 0.6, M5 x 6 | 1 |
| | | | | | | |
| A8 | T1 | 92-07 | | 679316 | Orifice. 0.5, M6 x 8 | 1 |
| | T2 | 92-07 | | 578542 | Orifice, 0.8, M6 x 8 | 1 |
| | T3 | 92-07 | | 578542 | Orifice, 0.8, M6 x 8 | 1 |
| | T4 | 92-07 | | 913897 (9007712-0605) | Set screw | 1 |
| | T5 | 92-07 | | 913897 (9007712-0605) | Set screw | 1 |
| | T6 | 92-07 | | 578542 | Orifice, 0.8, M6 x 8 | 1 |
| | T7 | 92-07 | | 639096 | Orifice. 0.6, M5 x 6 | 1 |
| | T8 | 92-07 | | 639096 | Orifice. 0.6, M5 x 6 | 1 |
| A9 | T1 | 92-07 | | 679316 | Orifice. 0.5, M6 x 8 | 1 |
| | T2 | 92-07 | | 578542 | Orifice, 0.8, M6 x 8 | 1 |
| | T3 | 92-07 | | 578542 | Orifice, 0.8, M6 x 8 | 1 |
| | T7 | 92-07 | | 639096 | Orifice. 0.6, M5 x 6 | 1 |
| | T8 | 92-07 | | 639096 | Orifice. 0.6, M5 x 6 | 1 |
| | U5 | 92-07 | | 913897 (9007712-0605) | Set screw | 1 |
| B6 | T1 | 92-07 | | 679316 | Orifice. 0.5, M6 x 8 | 1 |
| | T2 | 92-07 | | 578542 | Orifice, 0.8, M6 x 8 | 1 |
| | T3 | 92-07 | | 578542 | Orifice, 0.8, M6 x 8 | 1 |
| | T4 | 92-07 | | 578542 | Orifice, 0.8, M6 x 8 | 1 |
| | T5 | 92-07 | | 913897 (9007712-0605) | Set screw | 1 |
| | T6 | 92-07 | | 913897 (9007712-0605) | Set screw | 1 |
| | T7 | 92-07 | | 639096 | Orifice. 0.6, M5 x 6 | 1 |
| | T8 | 92-07 | | 639096 | Orifice. 0.6, M5 x 6 | 1 |



Variable Displacement Motor



E103 126E

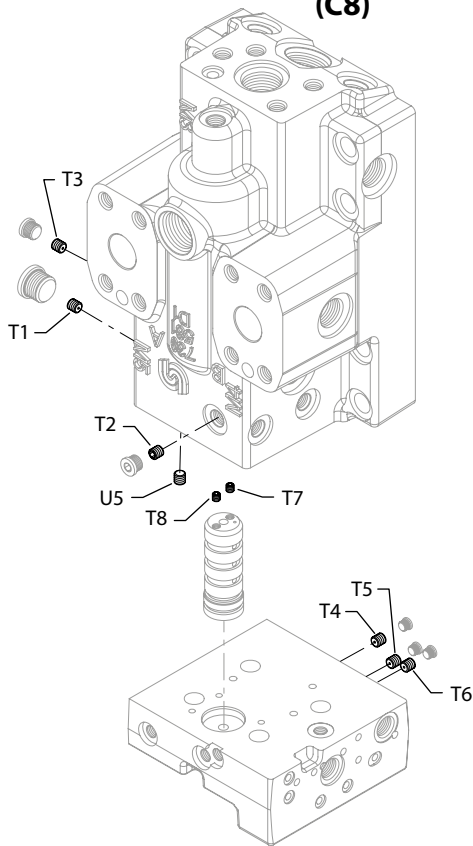

Variable Displacement Motor
Orifice

| Order code | Item | Date begin | Date end | Part number | Part name | Qty. per model/kit | |
|------------|-------|------------|----------|-----------------------|----------------------|--------------------|--|
| B9 | T1 | 92-07 | | 679316 | Orifice. 0.5, M6 x 8 | 1 | |
| | T2 | 92-07 | | 679316 | Orifice. 0.5, M6 x 8 | 1 | |
| | T3 | 92-07 | | 679316 | Orifice. 0.5, M6 x 8 | 1 | |
| | T4 | 92-07 | | 578542 | Orifice, 0.8, M6 x 8 | 1 | |
| | T5 | 92-07 | | 913897 (9007712-0605) | Set screw | 1 | |
| | T6 | 92-07 | | 578542 | Orifice, 0.8, M6 x 8 | 1 | |
| | T7 | 92-07 | | 639096 | Orifice. 0.6, M5 x 6 | 1 | |
| | T8 | 92-07 | | 639096 | Orifice. 0.6, M5 x 6 | 1 | |
| | U5 | 92-07 | | 913897 (9007712-0605) | Set screw | 1 | |
| | U6 | 92-07 | | 511825 | Orifice. 0.6, M6 x 8 | 1 | |
| | U7 | 92-07 | | 511825 | Orifice. 0.6, M6 x 8 | 1 | |
| | <hr/> | | | | | | |
| | C0 | No parts | | | | | |
| <hr/> | | | | | | | |
| C1 | T1 | 92-07 | | 679316 | Orifice. 0.5, M6 x 8 | 1 | |
| | T2 | 92-07 | | 578542 | Orifice, 0.8, M6 x 8 | 1 | |
| | T3 | 92-07 | | 578542 | Orifice, 0.8, M6 x 8 | 1 | |
| | T4 | 92-07 | | 913897 (9007712-0605) | Set screw | 1 | |
| | T5 | 92-07 | | 578542 | Orifice, 0.8, M6 x 8 | 1 | |
| | T6 | 92-07 | | 913897 (9007712-0605) | Set screw | 1 | |
| | T7 | 92-07 | | 639096 | Orifice. 0.6, M5 x 6 | 1 | |
| | T8 | 92-07 | | 639096 | Orifice. 0.6, M5 x 6 | 1 | |
| <hr/> | | | | | | | |
| C2 | T1 | 92-07 | | 679316 | Orifice. 0.5, M6 x 8 | 1 | |
| | T2 | 92-07 | | 578542 | Orifice, 0.8, M6 x 8 | 1 | |
| | T3 | 92-07 | | 578542 | Orifice, 0.8, M6 x 8 | 1 | |
| | T7 | 92-07 | | 639096 | Orifice. 0.6, M5 x 6 | 1 | |
| | T8 | 92-07 | | 639096 | Orifice. 0.6, M5 x 6 | 1 | |
| <hr/> | | | | | | | |
| C5 | T1 | 92-07 | | 679316 | Orifice. 0.5, M6 x 8 | 1 | |
| | T2 | 92-07 | | 578542 | Orifice, 0.8, M6 x 8 | 1 | |
| | T3 | 92-07 | | 578542 | Orifice, 0.8, M6 x 8 | 1 | |
| | T5 | 92-07 | | 578542 | Orifice, 0.8, M6 x 8 | 1 | |
| | T7 | 92-07 | | 639096 | Orifice. 0.6, M5 x 6 | 1 | |
| | T8 | 92-07 | | 639096 | Orifice. 0.6, M5 x 6 | 1 | |
| | U5 | 92-07 | | 913897 (9007712-0605) | Set screw | 1 | |
| | U6 | 92-07 | | 511825 | Orifice. 0.6, M6 x 8 | 1 | |
| | U7 | 92-07 | | 511825 | Orifice. 0.6, M6 x 8 | 1 | |
| <hr/> | | | | | | | |
| C7 | T1 | 92-07 | | 679316 | Orifice. 0.5, M6 x 8 | 1 | |
| | T2 | 92-07 | | 578542 | Orifice, 0.8, M6 x 8 | 1 | |
| | T3 | 92-07 | | 578542 | Orifice, 0.8, M6 x 8 | 1 | |
| | T4 | 92-07 | | 578542 | Orifice, 0.8, M6 x 8 | 1 | |
| | T5 | 92-07 | | 913897 (9007712-0605) | Set screw | 1 | |
| | T6 | 92-07 | | 913897 (9007712-0605) | Set screw | 1 | |
| | T7 | 92-07 | | 639096 | Orifice. 0.6, M5 x 6 | 1 | |
| | T8 | 92-07 | | 639096 | Orifice. 0.6, M5 x 6 | 1 | |
| | U5 | 92-07 | | 913897 (9007712-0605) | Set screw | 1 | |

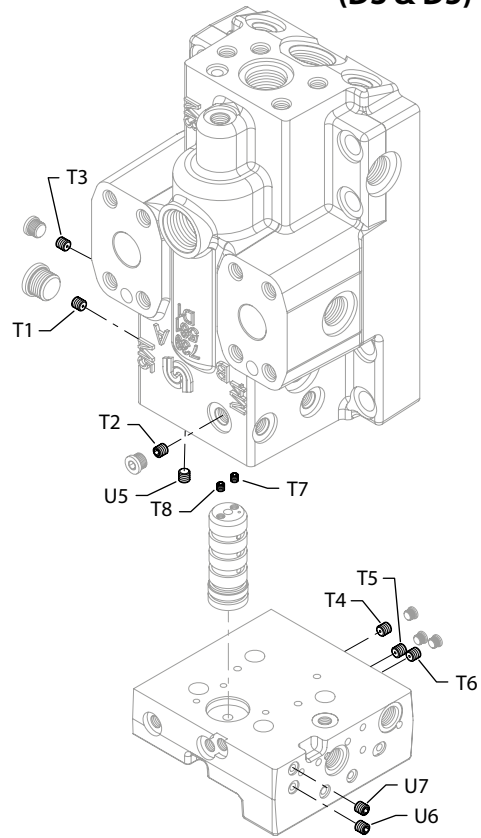


Variable Displacement Motor

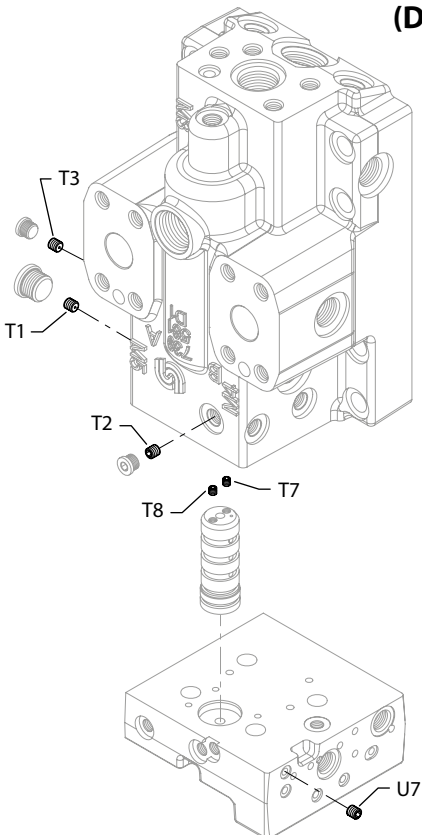
(C8)



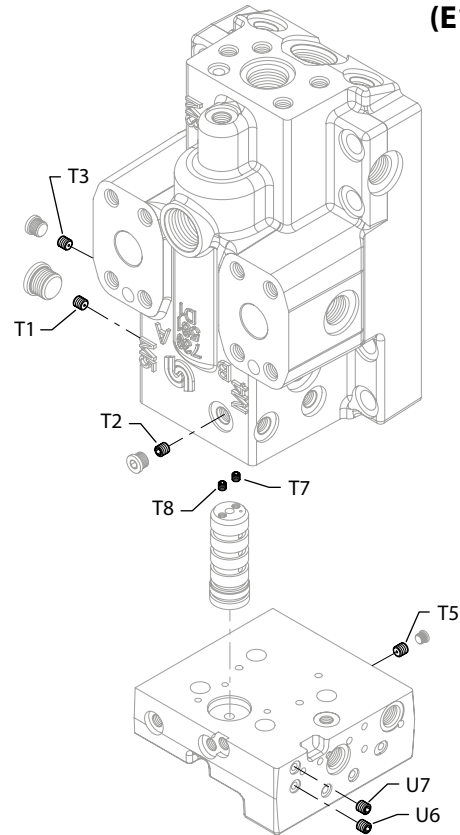
(D3 & D5)



(D7)



(E1)



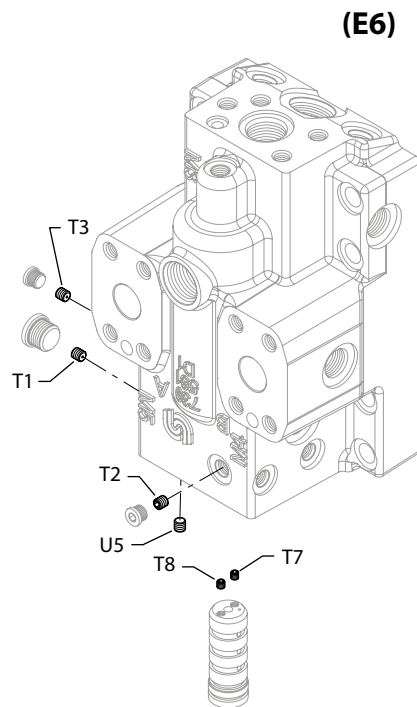
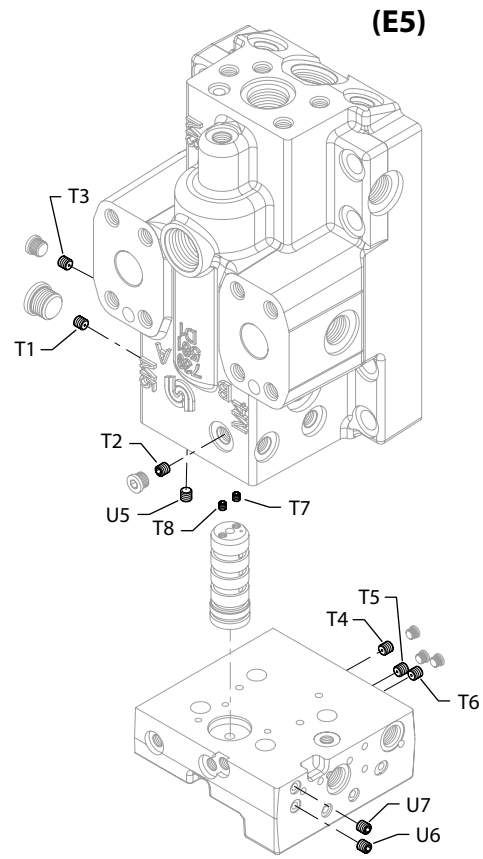
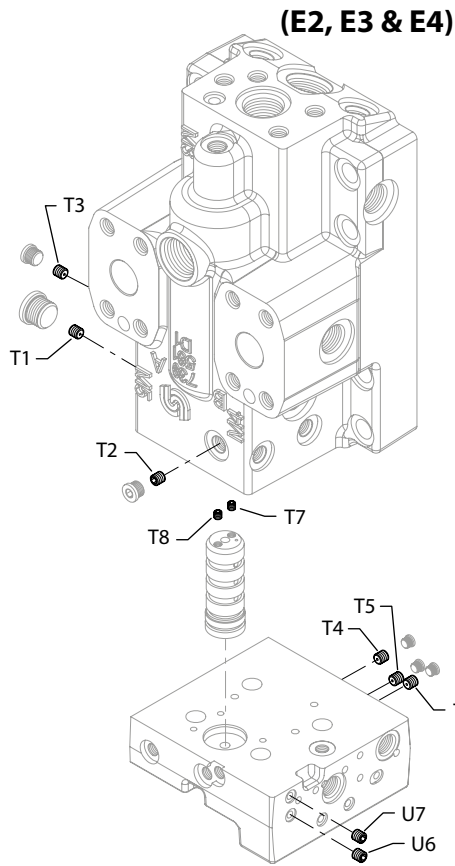
E103 127E


Variable Displacement Motor
Orifice

| Order code | Item | Date begin | Date end | Part number | Part name | Qty. per model/kit |
|------------|-------|------------|----------|-----------------------|----------------------|--------------------|
| C8 | T1 | 92-07 | | 679316 | Orifice. 0.5, M6 x 8 | 1 |
| | T2 | 92-07 | | 578542 | Orifice, 0.8, M6 x 8 | 1 |
| | T3 | 92-07 | | 578542 | Orifice, 0.8, M6 x 8 | 1 |
| | T4 | 92-07 | | 913897 (9007712-0605) | Set screw | 1 |
| | T5 | 92-07 | | 913897 (9007712-0605) | Set screw | 1 |
| | T6 | 92-07 | | 578542 | Orifice, 0.8, M6 x 8 | 1 |
| | T7 | 92-07 | | 639096 | Orifice. 0.6, M5 x 6 | 1 |
| | T8 | 92-07 | | 639096 | Orifice. 0.6, M5 x 6 | 1 |
| | U5 | 92-07 | | 913897 (9007712-0605) | Set screw | 1 |
| D3 | T1 | 92-07 | | 578542 | Orifice, 0.8, M6 x 8 | 1 |
| | T2 | 92-07 | | 511825 | Orifice. 0.6, M6 x 8 | 1 |
| | T3 | 92-07 | | 511825 | Orifice. 0.6, M6 x 8 | 1 |
| | T4 | 92-07 | | 913897 (9007712-0605) | Set screw | 1 |
| | T5 | 92-07 | | 913897 (9007712-0605) | Set screw | 1 |
| | T6 | 92-07 | | 578542 | Orifice, 0.8, M6 x 8 | 1 |
| | T7 | 92-07 | | 639096 | Orifice. 0.6, M5 x 6 | 1 |
| | T8 | 92-07 | | 639096 | Orifice. 0.6, M5 x 6 | 1 |
| | U5 | 92-07 | | 913897 (9007712-0605) | Set screw | 1 |
| U6 | 92-07 | | 511825 | Orifice. 0.6, M6 x 8 | 1 | |
| U7 | 92-07 | | 511825 | Orifice. 0.6, M6 x 8 | 1 | |
| D5 | T1 | 92-07 | | 578542 | Orifice, 0.8, M6 x 8 | 1 |
| | T2 | 92-07 | | 511825 | Orifice. 0.6, M6 x 8 | 1 |
| | T3 | 92-07 | | 511825 | Orifice. 0.6, M6 x 8 | 1 |
| | T4 | 92-07 | | 578542 | Orifice, 0.8, M6 x 8 | 1 |
| | T5 | 92-07 | | 913897 (9007712-0605) | Set screw | 1 |
| | T6 | 92-07 | | 913897 (9007712-0605) | Set screw | 1 |
| | T7 | 92-07 | | 639096 | Orifice. 0.6, M5 x 6 | 1 |
| | T8 | 92-07 | | 639096 | Orifice. 0.6, M5 x 6 | 1 |
| | U5 | 92-07 | | 913897 (9007712-0605) | Set screw | 1 |
| U6 | 92-07 | | 511825 | Orifice. 0.6, M6 x 8 | 1 | |
| U7 | 92-07 | | 511825 | Orifice. 0.6, M6 x 8 | 1 | |
| D7 | T1 | 92-07 | | 578542 | Orifice, 0.8, M6 x 8 | 1 |
| | T2 | 92-07 | | 578542 | Orifice, 0.8, M6 x 8 | 1 |
| | T3 | 92-07 | | 578542 | Orifice, 0.8, M6 x 8 | 1 |
| | T7 | 92-07 | | 511825 | Orifice. 0.6, M6 x 8 | 1 |
| | T8 | 92-07 | | 511825 | Orifice. 0.6, M6 x 8 | 1 |
| | U7 | 92-07 | | 044081 | Orifice. 0.7, M6 x 8 | 1 |
| | U7 | 92-07 | | 044081 | Orifice. 0.7, M6 x 8 | 1 |
| E1 | T1 | 92-07 | | 679316 | Orifice. 0.5, M6 x 8 | 1 |
| | T2 | 92-07 | | 578542 | Orifice, 0.8, M6 x 8 | 1 |
| | T3 | 92-07 | | 578542 | Orifice, 0.8, M6 x 8 | 1 |
| | T5 | 92-07 | | 578542 | Orifice, 0.8, M6 x 8 | 1 |
| | T7 | 92-07 | | 639096 | Orifice. 0.6, M5 x 6 | 1 |
| | T8 | 92-07 | | 639096 | Orifice. 0.6, M5 x 6 | 1 |
| | U6 | 92-07 | | 044081 | Orifice. 0.7, M6 x 8 | 1 |
| | U7 | 92-07 | | 044081 | Orifice. 0.7, M6 x 8 | 1 |



Variable Displacement Motor

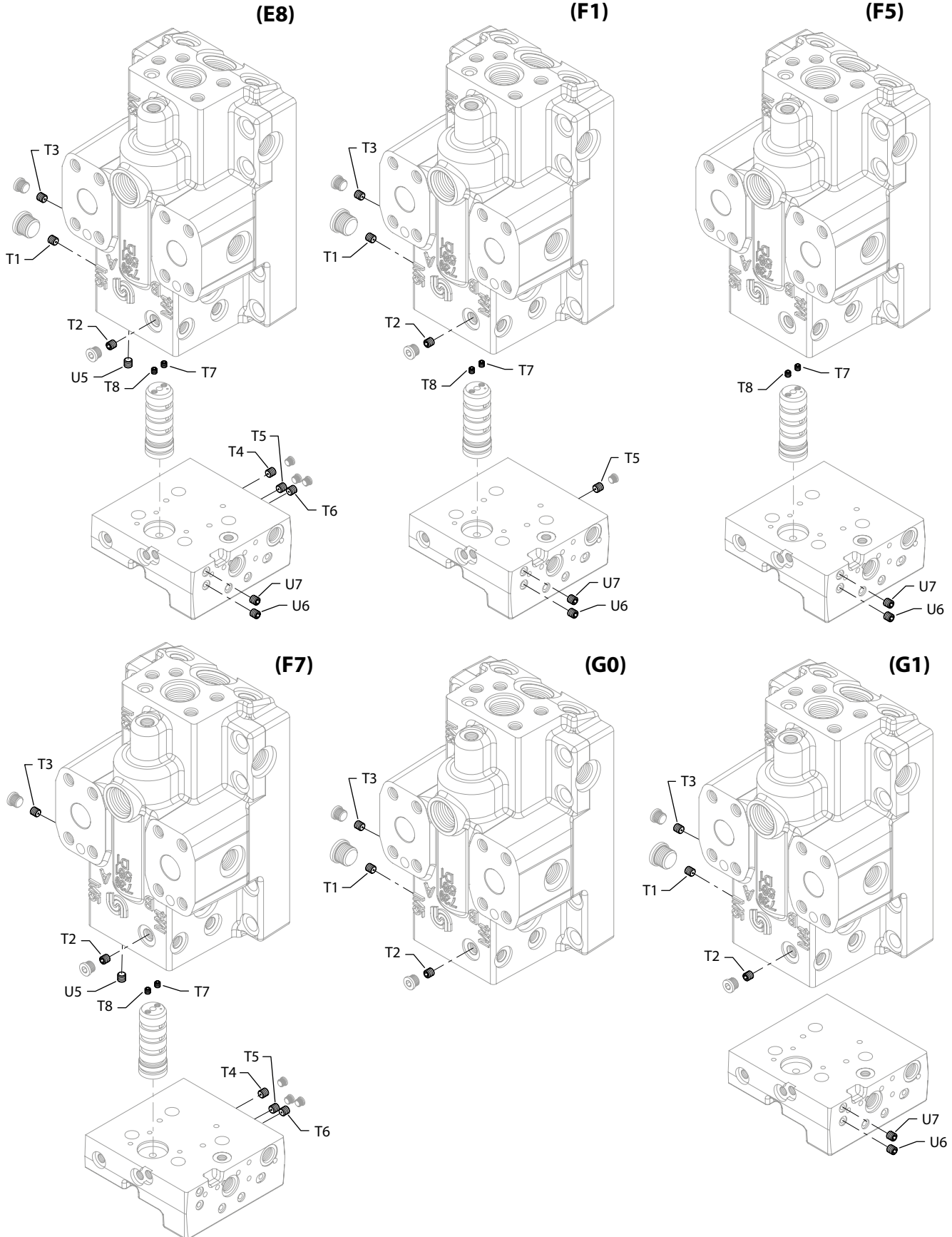



Variable Displacement Motor
Orifice

| Order code | Item | Date begin | Date end | Part number | Part name | Qty. per model/kit |
|------------|-------|------------|-----------------------|-----------------------|----------------------|--------------------|
| E2 | T1 | 92-07 | | 679316 | Orifice. 0.5, M6 x 8 | 1 |
| | T2 | 92-07 | | 578542 | Orifice, 0.8, M6 x 8 | 1 |
| | T3 | 92-07 | | 578542 | Orifice, 0.8, M6 x 8 | 1 |
| | T4 | 92-07 | | 578542 | Orifice, 0.8, M6 x 8 | 1 |
| | T5 | 92-07 | | 913897 (9007712-0605) | Set screw | 1 |
| | T6 | 92-07 | | 578542 | Orifice, 0.8, M6 x 8 | 1 |
| | T7 | 92-07 | | 639096 | Orifice. 0.6, M5 x 6 | 1 |
| | T8 | 92-07 | | 639096 | Orifice. 0.6, M5 x 6 | 1 |
| U6 | 92-07 | | 044081 | Orifice. 0.7, M6 x 8 | 1 | |
| | 92-07 | | 044081 | Orifice. 0.7, M6 x 8 | 1 | |
| E3 | T1 | 92-07 | | 679316 | Orifice. 0.5, M6 x 8 | 1 |
| | T2 | 92-07 | | 578542 | Orifice, 0.8, M6 x 8 | 1 |
| | T3 | 92-07 | | 578542 | Orifice, 0.8, M6 x 8 | 1 |
| | T4 | 92-07 | | 578542 | Orifice, 0.8, M6 x 8 | 1 |
| | T5 | 92-07 | | 913897 (9007712-0605) | Set screw | 1 |
| | T6 | 92-07 | | 913897 (9007712-0605) | Set screw | 1 |
| | T7 | 92-07 | | 639096 | Orifice. 0.6, M5 x 6 | 1 |
| | T8 | 92-07 | | 639096 | Orifice. 0.6, M5 x 6 | 1 |
| U6 | 92-07 | | 044081 | Orifice. 0.7, M6 x 8 | 1 | |
| | 92-07 | | 044081 | Orifice. 0.7, M6 x 8 | 1 | |
| E4 | T1 | 92-07 | | 679316 | Orifice. 0.5, M6 x 8 | 1 |
| | T2 | 92-07 | | 578542 | Orifice, 0.8, M6 x 8 | 1 |
| | T3 | 92-07 | | 578542 | Orifice, 0.8, M6 x 8 | 1 |
| | T4 | 92-07 | | 913897 (9007712-0605) | Set screw | 1 |
| | T5 | 92-07 | | 913897 (9007712-0605) | Set screw | 1 |
| | T6 | 92-07 | | 578542 | Orifice, 0.8, M6 x 8 | 1 |
| | T7 | 92-07 | | 639096 | Orifice. 0.6, M5 x 6 | 1 |
| | T8 | 92-07 | | 639096 | Orifice. 0.6, M5 x 6 | 1 |
| U6 | 92-07 | | 044081 | Orifice. 0.7, M6 x 8 | 1 | |
| | 92-07 | | 044081 | Orifice. 0.7, M6 x 8 | 1 | |
| E5 | T1 | 92-07 | | 679316 | Orifice. 0.5, M6 x 8 | 1 |
| | T2 | 92-07 | | 578542 | Orifice, 0.8, M6 x 8 | 1 |
| | T3 | 92-07 | | 578542 | Orifice, 0.8, M6 x 8 | 1 |
| | T4 | 92-07 | | 578542 | Orifice, 0.8, M6 x 8 | 1 |
| | T5 | 92-07 | | 913897 (9007712-0605) | Set screw | 1 |
| | T6 | 92-07 | | 578542 | Orifice, 0.8, M6 x 8 | 1 |
| | T7 | 92-07 | | 639096 | Orifice. 0.6, M5 x 6 | 1 |
| | T8 | 92-07 | | 639096 | Orifice. 0.6, M5 x 6 | 1 |
| U5 | 92-07 | | 913897 (9007712-0605) | Set screw | 1 | |
| | 92-07 | | 511825 | Orifice. 0.6, M6 x 8 | 1 | |
| U6 | 92-07 | | 511825 | Orifice. 0.6, M6 x 8 | 1 | |
| | 92-07 | | 511825 | Orifice. 0.6, M6 x 8 | 1 | |
| E6 | T1 | 92-07 | | 679316 | Orifice. 0.5, M6 x 8 | 1 |
| | T2 | 92-07 | | 578542 | Orifice, 0.8, M6 x 8 | 1 |
| | T3 | 92-07 | | 578542 | Orifice, 0.8, M6 x 8 | 1 |
| | T7 | 92-07 | | 639096 | Orifice. 0.6, M5 x 6 | 1 |
| | T8 | 92-07 | | 639096 | Orifice. 0.6, M5 x 6 | 1 |
| | U5 | 92-07 | | 913897 (9007712-0605) | Set screw | 1 |



Variable Displacement Motor



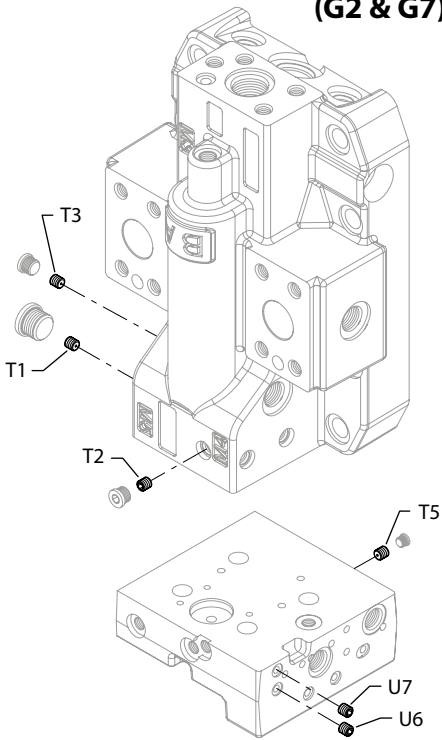

Variable Displacement Motor
Orifice

| Order code | Item | Date begin | Date end | Part number | Part name | Qty. per model/kit | |
|------------|------|------------|----------|-----------------------|----------------------|----------------------|---|
| E8 | T1 | 92-07 | | 679316 | Orifice. 0.5, M6 x 8 | 1 | |
| | T2 | 92-07 | | 578542 | Orifice, 0.8, M6 x 8 | 1 | |
| | T3 | 92-07 | | 578542 | Orifice, 0.8, M6 x 8 | 1 | |
| | T4 | 92-07 | | 913897 (9007712-0605) | Set screw | 1 | |
| | T5 | 92-07 | | 913897 (9007712-0605) | Set screw | 1 | |
| | T6 | 92-07 | | 578542 | Orifice, 0.8, M6 x 8 | 1 | |
| | T7 | 92-07 | | 639096 | Orifice. 0.6, M5 x 6 | 1 | |
| | T8 | 92-07 | | 639096 | Orifice. 0.6, M5 x 6 | 1 | |
| | U5 | 92-07 | | 913897 (9007712-0605) | Set screw | 1 | |
| | U6 | 92-07 | | 511825 | Orifice. 0.6, M6 x 8 | 1 | |
| | U7 | 92-07 | | 511825 | Orifice. 0.6, M6 x 8 | 1 | |
| | F1 | T1 | 92-07 | | 679316 | Orifice. 0.5, M6 x 8 | 1 |
| | | T2 | 92-07 | | 578542 | Orifice, 0.8, M6 x 8 | 1 |
| T3 | | 92-07 | | 578542 | Orifice, 0.8, M6 x 8 | 1 | |
| T5 | | 92-07 | | 578542 | Orifice, 0.8, M6 x 8 | 1 | |
| T7 | | 92-07 | | 639096 | Orifice. 0.6, M5 x 6 | 1 | |
| T8 | | 92-07 | | 639096 | Orifice. 0.6, M5 x 6 | 1 | |
| U6 | | 92-07 | | 578542 | Orifice, 0.8, M6 x 8 | 1 | |
| U7 | | 92-07 | | 578542 | Orifice, 0.8, M6 x 8 | 1 | |
| F5 | T7 | 92-07 | | 639096 | Orifice. 0.6, M5 x 6 | 1 | |
| | T8 | 92-07 | | 639096 | Orifice. 0.6, M5 x 6 | 1 | |
| | U6 | 92-07 | | 913897 (9007712-0605) | Set screw | 1 | |
| | U7 | 92-07 | | 044081 | Orifice. 0.7, M6 x 8 | 1 | |
| F7 | T2 | 92-07 | | 578542 | Orifice, 0.8, M6 x 8 | 1 | |
| | T3 | 92-07 | | 578542 | Orifice, 0.8, M6 x 8 | 1 | |
| | T4 | 92-07 | | 578542 | Orifice, 0.8, M6 x 8 | 1 | |
| | T5 | 92-07 | | 913897 (9007712-0605) | Set screw | 1 | |
| | T6 | 92-07 | | 578542 | Orifice, 0.8, M6 x 8 | 1 | |
| | T7 | 92-07 | | 639096 | Orifice. 0.6, M5 x 6 | 1 | |
| | T8 | 92-07 | | 639096 | Orifice. 0.6, M5 x 6 | 1 | |
| | U5 | 92-07 | | 913897 (9007712-0605) | Set screw | 1 | |
| | G0 | T1 | 92-07 | | 578542 | Orifice, 0.8, M6 x 8 | 1 |
| T2 | | 92-07 | | 679316 | Orifice. 0.5, M6 x 8 | 1 | |
| T3 | | 92-07 | | 679316 | Orifice. 0.5, M6 x 8 | 1 | |
| G1 | T1 | 92-07 | | 578542 | Orifice, 0.8, M6 x 8 | 1 | |
| | T2 | 92-07 | | 679316 | Orifice. 0.5, M6 x 8 | 1 | |
| | T3 | 92-07 | | 679316 | Orifice. 0.5, M6 x 8 | 1 | |
| | U6 | 92-07 | | 578542 | Orifice, 0.8, M6 x 8 | 1 | |
| | U7 | 92-07 | | 578542 | Orifice, 0.8, M6 x 8 | 1 | |

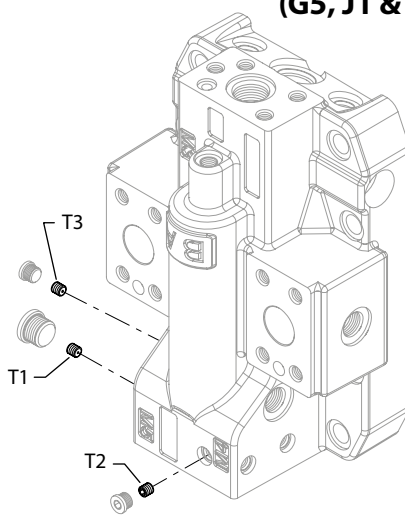


Variable Displacement Motor

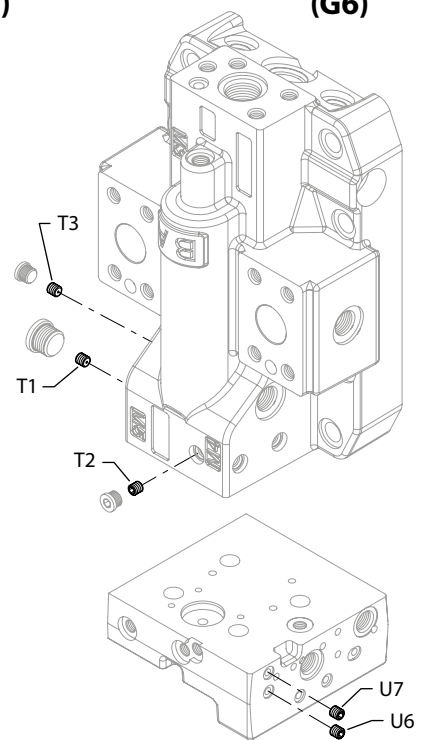
(G2 & G7)



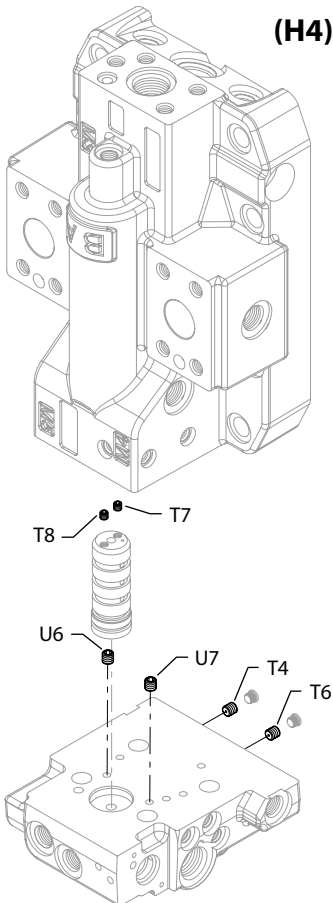
(G5, J1 & J2)



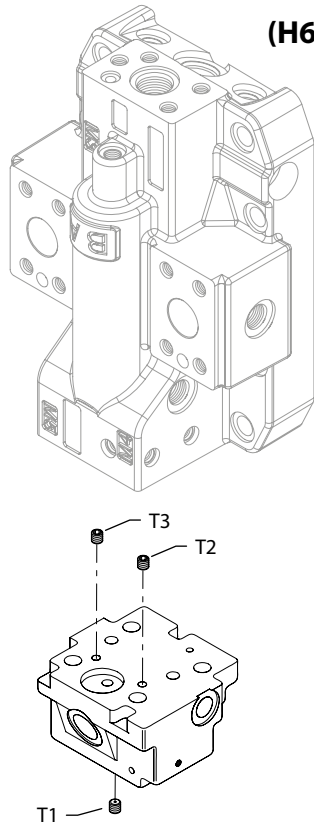
(G6)



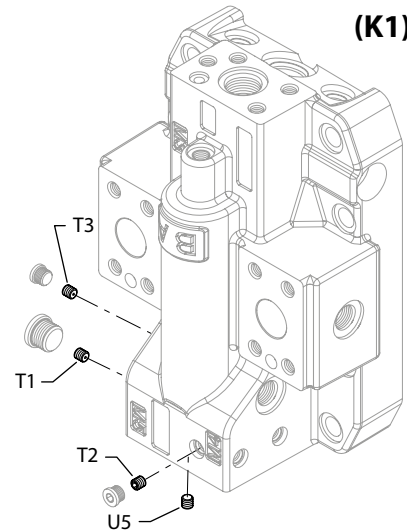
(H4)



(H6)



(K1)



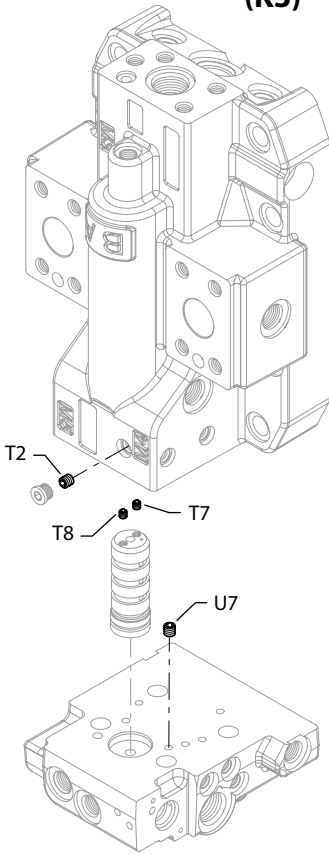

Variable Displacement Motor
Orifice

| Order code | Item | Date begin | Date end | Part number | Part name | Qty. per model/kit |
|------------|------|------------|----------|-----------------------|----------------------|----------------------|
| G2 | T1 | 92-07 | | 578542 | Orifice, 0.8, M6 x 8 | 1 |
| | T2 | 92-07 | | 679316 | Orifice. 0.5, M6 x 8 | 1 |
| | T3 | 92-07 | | 679316 | Orifice. 0.5, M6 x 8 | 1 |
| | T5 | 92-07 | | 913897 (9007712-0605) | Set screw | 1 |
| | U6 | 92-07 | | 578542 | Orifice, 0.8, M6 x 8 | 1 |
| | U7 | 92-07 | | 578542 | Orifice, 0.8, M6 x 8 | 1 |
| | G5 | T1 | 92-07 | | 679316 | Orifice. 0.5, M6 x 8 |
| T2 | | 92-07 | | 679316 | Orifice. 0.5, M6 x 8 | 1 |
| T3 | | 92-07 | | 679316 | Orifice. 0.5, M6 x 8 | 1 |
| G6 | T1 | 92-07 | | 679316 | Orifice. 0.5, M6 x 8 | 1 |
| | T2 | 92-07 | | 679316 | Orifice. 0.5, M6 x 8 | 1 |
| | T3 | 92-07 | | 679316 | Orifice. 0.5, M6 x 8 | 1 |
| | U6 | 92-07 | | 578542 | Orifice, 0.8, M6 x 8 | 1 |
| | U7 | 92-07 | | 578542 | Orifice, 0.8, M6 x 8 | 1 |
| G7 | T1 | 92-07 | | 679316 | Orifice. 0.5, M6 x 8 | 1 |
| | T2 | 92-07 | | 679316 | Orifice. 0.5, M6 x 8 | 1 |
| | T3 | 92-07 | | 679316 | Orifice. 0.5, M6 x 8 | 1 |
| | T5 | 92-07 | | 913897 (9007712-0605) | Set screw | 1 |
| | U6 | 92-07 | | 578542 | Orifice, 0.8, M6 x 8 | 1 |
| | U7 | 92-07 | | 578542 | Orifice, 0.8, M6 x 8 | 1 |
| | H4 | T4 | 92-07 | | 578542 | Orifice, 0.8, M6 x 8 |
| T6 | | 92-07 | | 578542 | Orifice, 0.8, M6 x 8 | 1 |
| T7 | | 92-07 | | 639096 | Orifice. 0.6, M5 x 6 | 1 |
| T8 | | 92-07 | | 639096 | Orifice. 0.6, M5 x 6 | 1 |
| U6 | | 92-07 | | 044081 | Orifice. 0.7, M6 x 8 | 1 |
| U7 | | 92-07 | | 044081 | Orifice. 0.7, M6 x 8 | 1 |
| H6 | | T1 | 92-07 | | 679316 | Orifice, 0.5, M6 x 8 |
| | T2 | 92-07 | | 578542 | Orifice, 0.8, M6 x 8 | 1 |
| | T3 | 92-07 | | 578542 | Orifice, 0.8, M6 x 8 | 1 |
| J1 | T1 | 92-07 | | 578542 | Orifice, 0.8, M6 x 8 | 1 |
| | T2 | 92-07 | | 578542 | Orifice, 0.8, M6 x 8 | 1 |
| | T3 | 92-07 | | 578542 | Orifice, 0.8, M6 x 8 | 1 |
| J2 | T1 | 92-07 | | 511825 | Orifice. 0.6, M6 x 8 | 1 |
| | T2 | 92-07 | | 511825 | Orifice. 0.6, M6 x 8 | 1 |
| | T3 | 92-07 | | 511825 | Orifice. 0.6, M6 x 8 | 1 |
| K1 | T1 | 92-07 | | 679316 | Orifice. 0.5, M6 x 8 | 1 |
| | T2 | 92-07 | | 679316 | Orifice. 0.5, M6 x 8 | 1 |
| | T3 | 92-07 | | 679316 | Orifice. 0.5, M6 x 8 | 1 |
| | U5 | 92-07 | | 913897 (9007712-0605) | Set screw | 1 |

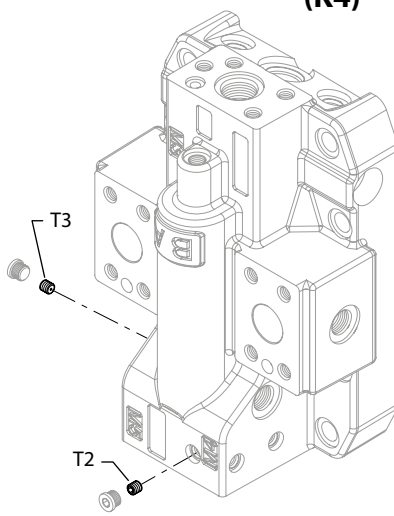


Variable Displacement Motor

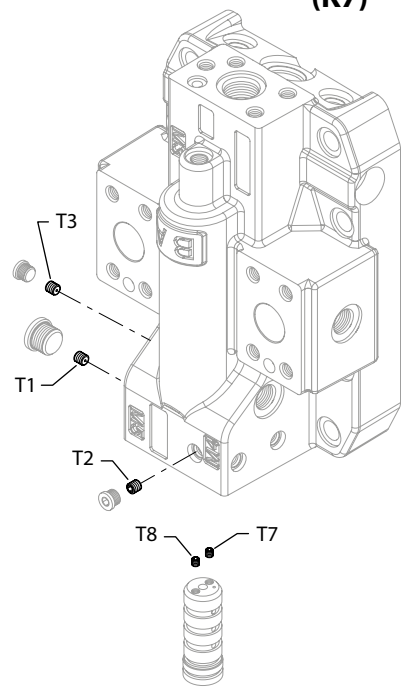
(K3)



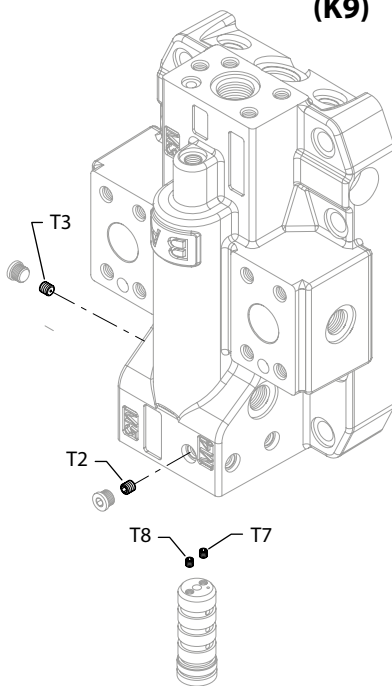
(K4)



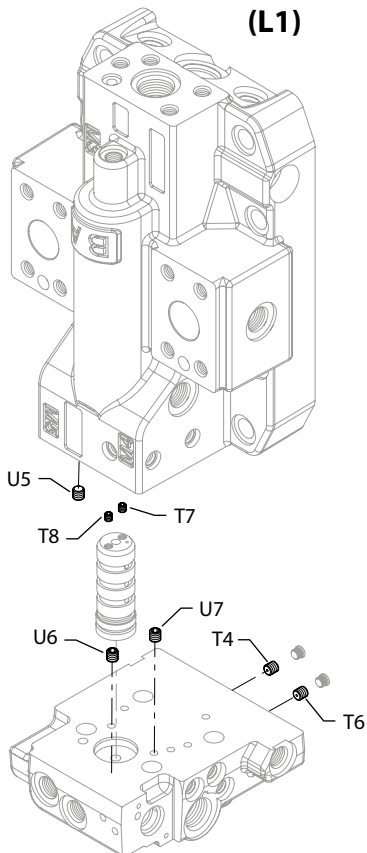
(K7)



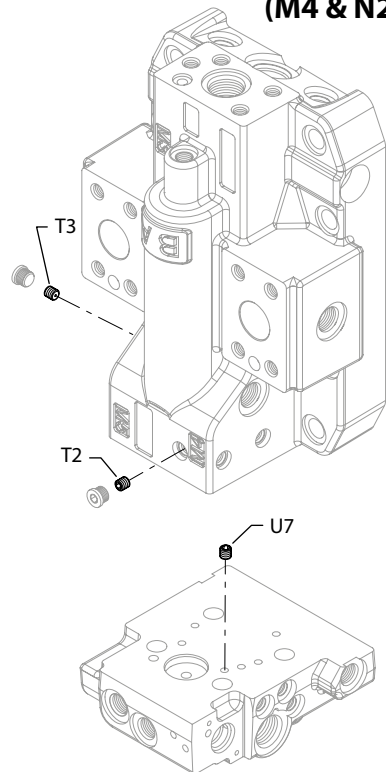
(K9)



(L1)



(M4 & N2)

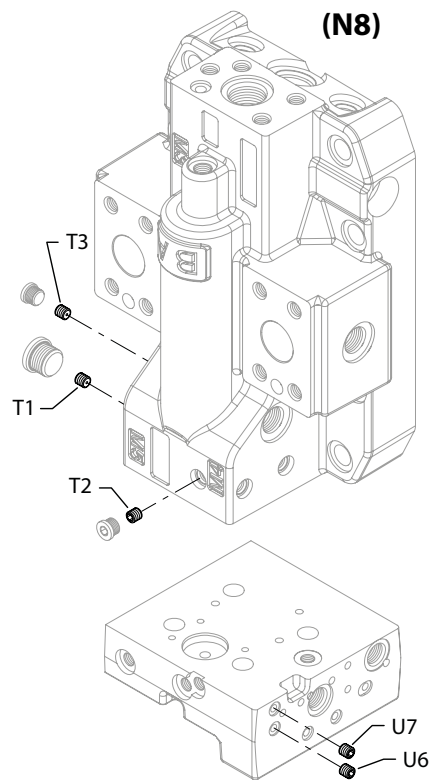
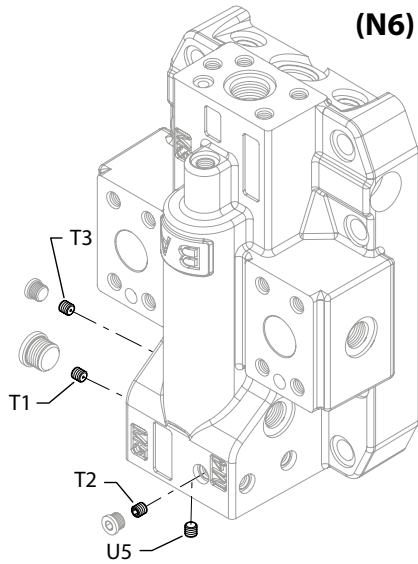



Variable Displacement Motor
Orifice

| Order code | Item | Date begin | Date end | Part number | Part name | Qty. per model/kit |
|------------|------|------------|----------|-----------------------|----------------------|--------------------|
| K3 | T2 | 92-07 | | 511825 | Orifice. 0.6, M6 x 8 | 1 |
| | T7 | 92-07 | | 639096 | Orifice. 0.6, M5 x 6 | 1 |
| | T8 | 92-07 | | 639096 | Orifice. 0.6, M5 x 6 | 1 |
| | U7 | 92-07 | | 511825 | Orifice. 0.6, M6 x 8 | 1 |
| K4 | T2 | 92-07 | | 578542 | Orifice, 0.8, M6 x 8 | 1 |
| | T3 | 92-07 | | 578542 | Orifice, 0.8, M6 x 8 | 1 |
| K7 | T1 | 92-07 | | 578542 | Orifice, 0.8, M6 x 8 | 1 |
| | T2 | 92-07 | | 679316 | Orifice. 0.5, M6 x 8 | 1 |
| | T3 | 92-07 | | 679316 | Orifice. 0.5, M6 x 8 | 1 |
| | T7 | 92-07 | | 639096 | Orifice. 0.6, M5 x 6 | 1 |
| | T8 | 92-07 | | 639096 | Orifice. 0.6, M5 x 6 | 1 |
| K9 | T2 | 92-07 | | 679316 | Orifice. 0.5, M6 x 8 | 1 |
| | T3 | 92-07 | | 679316 | Orifice. 0.5, M6 x 8 | 1 |
| | T7 | 92-07 | | 639096 | Orifice. 0.6, M5 x 6 | 1 |
| | T8 | 92-07 | | 639096 | Orifice. 0.6, M5 x 6 | 1 |
| L1 | T4 | 92-07 | | 578542 | Orifice, 0.8, M6 x 8 | 1 |
| | T6 | 92-07 | | 578542 | Orifice, 0.8, M6 x 8 | 1 |
| | T7 | 92-07 | | 639096 | Orifice. 0.6, M5 x 6 | 1 |
| | T8 | 92-07 | | 639096 | Orifice. 0.6, M5 x 6 | 1 |
| | U5 | 92-07 | | 913897 (9007712-0605) | Set screw | 1 |
| | U6 | 92-07 | | 044081 | Orifice. 0.7, M6 x 8 | 1 |
| | U7 | 92-07 | | 044081 | Orifice. 0.7, M6 x 8 | 1 |
| M4 | T2 | 92-07 | | 578542 | Orifice, 0.8, M6 x 8 | 1 |
| | T3 | 92-07 | | 578542 | Orifice, 0.8, M6 x 8 | 1 |
| | U7 | 92-07 | | 511825 | Orifice. 0.6, M6 x 8 | 1 |
| N2 | T2 | 92-07 | | 511825 | Orifice, 0.6, M6 x 8 | 1 |
| | T3 | 92-07 | | 511825 | Orifice, 0.6, M6 x 8 | 1 |
| | U7 | 92-07 | | 511825 | Orifice, 0.6, M6 x 8 | 1 |

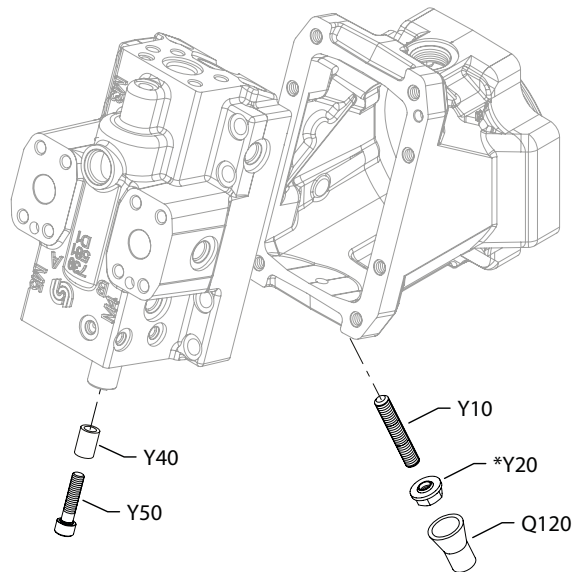
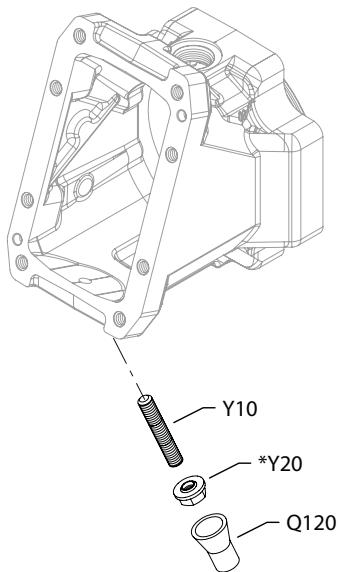


Variable Displacement Motor



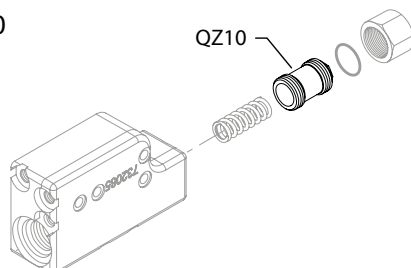
(012-036 & M12)

(039 & 042)



(11-37)

* = included in base motor seal kit Q210




Variable Displacement Motor
Orifice

| Order code | Item | Date begin | Date end | Part number | Part name | Qty. per model/kit |
|------------|------|------------|----------|-----------------------|----------------------|--------------------|
| N6 | T1 | 92-07 | | 511825 | Orifice. 0.6, M6 x 8 | 1 |
| | T2 | 92-07 | | 511825 | Orifice. 0.6, M6 x 8 | 1 |
| | T3 | 92-07 | | 511825 | Orifice. 0.6, M6 x 8 | 1 |
| | U5 | 92-07 | | 913897 (9007712-0605) | Set screw | 1 |
| N8 | T1 | 92-07 | | 578542 | Orifice, 0.8, M6 x 8 | 1 |
| | T2 | 92-07 | | 679316 | Orifice, 0.5, M6 x 8 | 1 |
| | T3 | 92-07 | | 578542 | Orifice, 0.8, M6 x 8 | 1 |
| | U6 | 92-07 | | 578542 | Orifice, 0.8, M6 x 8 | 1 |
| | U7 | 92-07 | | 578542 | Orifice, 0.8, M6 x 8 | 1 |

Minimum displacement

| | | | | | | |
|---------|------|-------|--|----------|---------------------|---|
| 012-029 | Q120 | 92-07 | | 770834 | Safety cap | 1 |
| | Y10 | 92-07 | | 750638 | Set screw, M10 x 65 | 1 |
| | Y20 | 92-07 | | 042432 | Seal nut, M10 | 1 |
| 030-040 | Q120 | 92-07 | | 770834 | Safety cap | 1 |
| | Y10 | 92-07 | | 749556 | Set screw, M10 x 80 | 1 |
| | Y20 | 92-07 | | 042432 | Seal nut, M10 | 1 |
| 039 | Q120 | 92-07 | | 770834 | Safety cap | 1 |
| | Y10 | 92-07 | | 041103 | Set screw, M10 x 40 | 1 |
| | Y20 | 92-07 | | 042432 | Seal nut, M10 | 1 |
| | Y40 | 92-07 | | 781906 | Spacer, 18.5 mm | 1 |
| | Y50 | 92-07 | | 710855 | Screw, M8 x 35 | 1 |
| 042 | Q120 | 92-07 | | 770834 | Safety cap | 1 |
| | Y10 | 92-07 | | 041103 | Set screw, M10 x 40 | 1 |
| | Y20 | 92-07 | | 042432 | Seal nut, M10 | 1 |
| | Y40 | 92-07 | | 11001123 | Spacer, 20.5 mm | 1 |
| | Y50 | 92-07 | | 710855 | Screw, M8 x 35 | 1 |
| M12 | Q120 | 92-07 | | 770834 | Safety cap | 1 |
| | Y10 | 92-07 | | 041103 | Set screw, M10 x 40 | 1 |
| | Y20 | 92-07 | | 042432 | Seal nut, M10 | 1 |

PCOR adjuster

| | | | | | | |
|-------|------|-------|--|----------|-----------------------|---|
| 00 | | | | No parts | | |
| 11-26 | QZ10 | 92-07 | | 11112452 | Adjuster, 70-260 bar | 1 |
| 27-37 | QZ10 | 92-07 | | 11112453 | Adjuster, 270-420 bar | 1 |
| A1-C7 | | | | No parts | | |


Variable Displacement Motor
Overhaul seal kit

| Order Code | Item | Date Begin | Date End | Part Number | Part Name | Qty. per Model/Kit |
|------------|------|------------|----------|-----------------------|----------------------------------|--------------------|
| | Q210 | 92-07 | | 11122311 | Overhaul seal kit, S51 60cc | 1 |
| | B80C | 92-07 | | 726927 | O-ring | 1 |
| | B80V | 92-07 | | 930511 | O-ring | 1 |
| | F10 | 92-07 | | 508131 | Seal ring | 1 |
| | F11 | 92-07 | | 015404 | O-ring | 1 |
| | F324 | 92-07 | | 730036 | O-ring | 2 |
| | G100 | 92-07 | | 792739 | O-ring | 1 |
| | G36 | 92-07 | | 071878 (9004105-1190) | O-ring | 1 |
| | G420 | 03-08 | | 511810 | Gasket/O-ring seal (SB-2002-001) | 1 |
| | G60 | 92-07 | | 515733 | End cap gasket | 1 |
| | J50 | 92-07 | | 732479 (9004105-0100) | O-ring | 1 |
| | K50 | 92-07 | | 001149 (9004201-6200) | O-ring | 1 |
| | K51 | 92-07 | | 085043 (9004201-3700) | O-ring | 1 |
| | L40 | 92-07 | | 519021 | Lip seal | 1 |
| | L40 | 92-07 | | 9008000-0114 | Lip seal | 1 |
| | L50C | 92-07 | | 501879 | O-ring | 1 |
| | L50D | 92-07 | | 767962 | O-ring | 1 |
| | L50V | 92-07 | | 917088 | O-ring | 1 |
| | L82 | 92-07 | | 501019 | Gasket, 51C060 | 1 |
| | M12D | 92-07 | | 504358 | Gasket | 1 |
| | M12H | 92-07 | | 364984 | O-ring | 1 |
| | M12N | 92-07 | | 730036 | O-ring | 1 |
| | M16E | 92-07 | | 732479 (9004105-0100) | O-ring | 2 |
| | M16J | 92-07 | | 001149 (9004201-6200) | O-ring | 1 |
| | M16N | 92-07 | | 084673 | Seal ring | 1 |
| | M211 | 92-07 | | 365015 | O-ring | 1 |
| | M242 | 92-07 | | 056770 | O-ring | 1 |
| | M24P | 92-07 | | 732479 (9004105-0100) | O-ring | 4 |
| | M30 | 92-07 | | 056770 | O-ring | 1 |
| | M30H | 92-07 | | 011296 (9004105-0120) | O-ring | 2 |
| | M36 | 92-07 | | 732479 (9004105-0100) | O-ring | 1 |
| | M38 | 92-07 | | 011395 | O-ring | 1 |
| | M82 | 92-07 | | 732479 (9004105-0100) | O-ring | 1 |
| | M95 | 92-07 | | 9004104-0120 | O-ring | 2 |
| | M96 | 92-07 | | 9004104-0140 | O-ring | 1 |
| | M97 | 92-07 | | 9004104-0240 | O-ring | 1 |
| | N16 | 92-07 | | 001149 (9004201-6200) | O-ring | 1 |
| | N24 | 92-07 | | 732479 (9004105-0100) | O-ring | 4 |
| | N82 | 92-07 | | 732479 (9004105-0100) | O-ring | 1 |
| | QG20 | 92-07 | | 085043 (9004201-3700) | O-ring | 2 |
| | QL81 | 92-07 | | 039297 (9004201-1200) | O-ring | 2 |
| | QM84 | 92-07 | | 039297 (9004201-1200) | O-ring | 2 |
| | QN84 | 92-07 | | 039297 (9004201-1200) | O-ring | 2 |
| | QW30 | 92-07 | | 085043 (9004201-3700) | O-ring | 1 |
| | X11 | 92-07 | | 001149 (9004201-6200) | O-ring | 1 |
| | Y20 | 92-07 | | 042432 | Seal nut | 1 |



Service Bulletin: SB-1993-006

Products affected All Series 51 motors

Subject End cap gasket change.

Description Effective immediately, a new end cap gasket has been incorporated on all Series 51 motors. It is a direct replacement for the current gasket. The visible differences between the two gaskets are:

1. The new gasket is thicker. It measures .040" versus .030".
2. The new gasket has a red tint to the surface.

The new gasket is a stand alone gasket which should not be used with any sealing aid. The current torque values stay the same.

The new gaskets are now available and **MUST** be used in any repair or conversion.

Models affected All series 51 motors

Serial numbers N/A

Part numbers affected

| Frame size | Old part number | New part number |
|------------|-----------------|-----------------|
| 60cc | 729228 | 501198 |
| 80cc | 734368 | 501199 |
| 110cc | 734376 | 501200 |
| 160cc | 734384 | 501201 |
| 250cc | 734392 | 501202 |

Parts disposition

- Interchangeable
- Scrap used parts
- Order replacement parts
- Revise existing part orders



Service Bulletin: SB-1995-013

Products affected Series 51: 60cc-250cc motors

Subject Threshold adjustment screw.

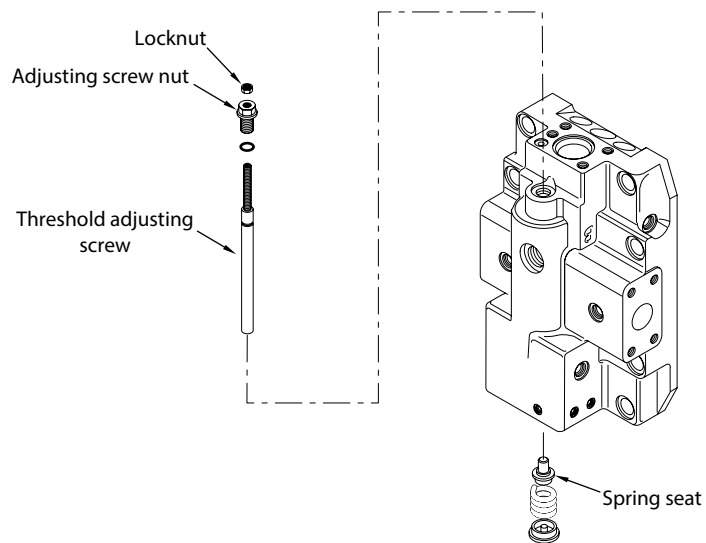
Description

To improve the sensitivity of the threshold adjustment on Series 51 motors, the threads on the adjusting screw are being changed from standard pitch thread to fine pitch thread. The adjusting screw nut and lock nut will also change. At the same time, the bore diameter in the end of the adjusting screw and the pin diameter on the end of the spring seat will decrease.

The old style parts will be obsolete and no longer available as service parts. A service kit containing the adjusting assembly and the spring seat has been created.

Piece parts are not interchangeable.

All noted parts must be replaced.



Models affected All series 51: 60cc - 250cc motors

Serial numbers This change became effective at serial number N-96-07-xxxxx.

Part numbers affected

| Frame size | Old hardware | | | | New kits |
|------------|--------------|---------------------|----------|--------------------------|-------------------------|
| | Spring seat | Adjusting screw nut | Lock nut | Theshold adjusting screw | Threshold adjusting kit |
| 60cc | 722264 | 732487 | 69393 | 729251 | 507691 |
| 80cc | 722264 | 732487 | 69393 | 732503 | 507692 |
| 80cc | 722264 | 732487 | 69393 | 737353 | 507672 |
| 110cc | 722264 | 732487 | 69393 | 732511 | 507693 |
| 110cc | 722264 | 732487 | 69393 | 732503 | 507677 |
| 160cc | 722264 | 732487 | 69393 | 792051 | 507694 |
| 250cc | 722264 | 732487 | 69393 | 792069 | 507695 |

Parts disposition

■ Interchangeable - Piece part are not interchangeable

Service Bulletin: SB-1996-005

Products affected

Series 51: 60cc - 250cc motors

Subject

Change to balanced areas between end cap and valve segment.

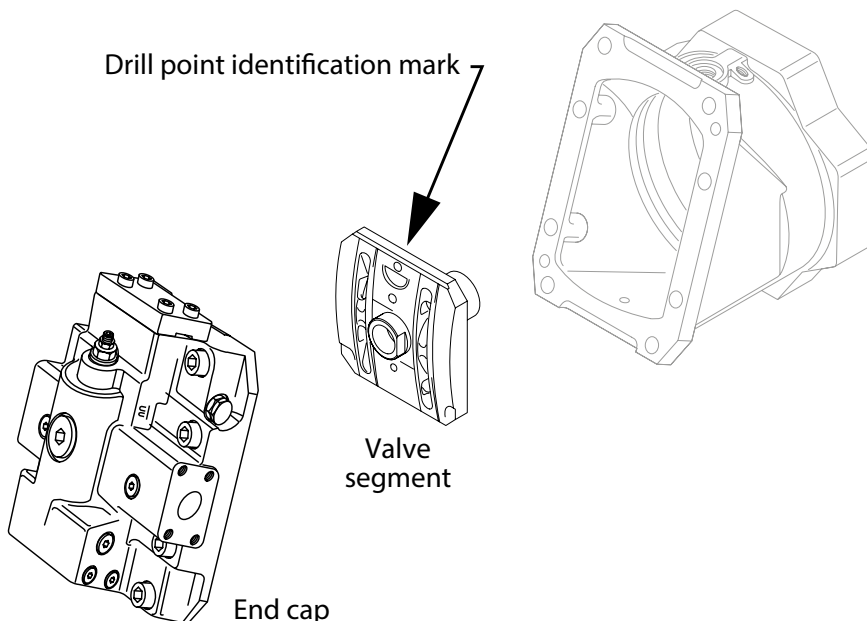
Description

As part of the continuing Series 51 product improvement program, the balance lands on the end cap and valve segment have been changed. The valve segment now defines the balance. The contact surface of the end cap has been made larger while the contact surface of the valve segment has been reduced. The change was implemented in three steps:

1. Change the valve segment so it defines the balance between the valve segment and the end cap. This change was implemented May 1994.
2. Change the end cap to allow a larger contact surface to keep the load arwea constant. This change was implemented January 1995
3. Change the valve segment to allow a smaller contact surface and reduce the balance. This change was implemented Februrary 1996.

Do not use a new end cap with an old valve seagment. However a new valve segment will work with an old end cap. The new valve segment (3rd step) is marked with a drill point on the cylinder block interface side next to the outer drain hole.

The old end cap and valve segment part numbers are obsolete. They are no longer available as genuine service parts.




Service Bulletin: SB-1996-005

Models affected All Series 51 motors

Serial numbers N-96-12-xxxxx and later

Part numbers affected

| End caps | Radial ports | | Radial ports | | Axial ports | | Axial ports | |
|----------|--------------|--------|--------------|--------|-------------|--------|-------------|--------|
| | w/LF | | w/o LF | | w/LF | | w/o LF | |
| | Old | New | Old | New | Old | New | Old | New |
| 60cc | 729210 | 504226 | 779793 | 504227 | - | - | - | - |
| 80cc | 731794 | 504230 | 731794 | 504231 | 739615 | 504232 | 739615 | 504234 |
| 110cc | 731802 | 504236 | 731802 | 504236 | 739631 | 504237 | 739631 | 504238 |
| 160cc | 731810 | 504239 | 731810 | 504240 | 731828 | 504242 | 731828 | 504243 |
| 250cc | 731836 | 504244 | 783282 | 504245 | 731844 | 504246 | 731844 | 504247 |

| Valve segment | Standard spindle | | Retained spindle | |
|---------------|------------------|--------|------------------|--------|
| | Old | New | Old | New |
| 60cc | 732701 | 504718 | - | - |
| 80cc | 360354 | 503939 | - | - |
| 110cc | 349076 | 504715 | 501349 | 507758 |
| 160cc | 356139 | 507242 | 500341 | 507759 |
| 250cc | 367896 | 508202 | 502561 | 508202 |

Parts disposition ■ Interchangeable - except where noted

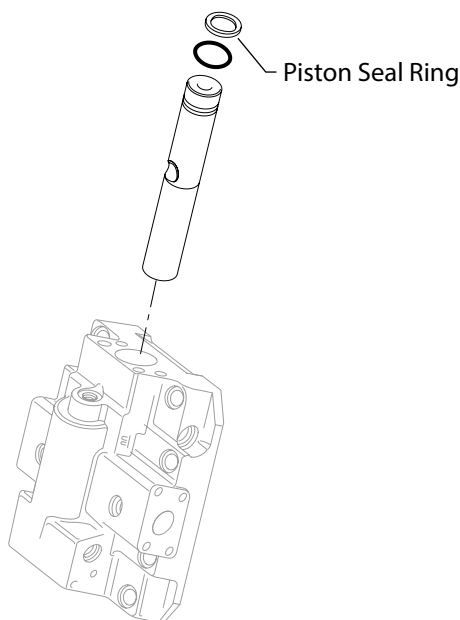


Service Bulletin: SB-1997-009

Products affected Series 51: 60 thru 250cc variable motors

Subject Servo piston seal ring change

Description As a product improvement, Sauer-Danfoss is changing the vendor for the servo piston seal ring used in the Series 51 variable motors. As a result, the old piston seal ring will become obsolete and no longer available as a service part.



Models affected All Series 51 motors

Serial numbers N-96-08-xxxxx and after

Part numbers affected

| Frame size | Old part number | New part number |
|------------|-----------------|-----------------|
| 60cc | 504202 | 508131 |
| 80cc | 504203 | 508132 |
| 110cc | 504204 | 508133 |
| 160cc | 504205 | 508134 |
| 250cc | 687277 | 504136 |

Parts disposition ■ Interchangeable



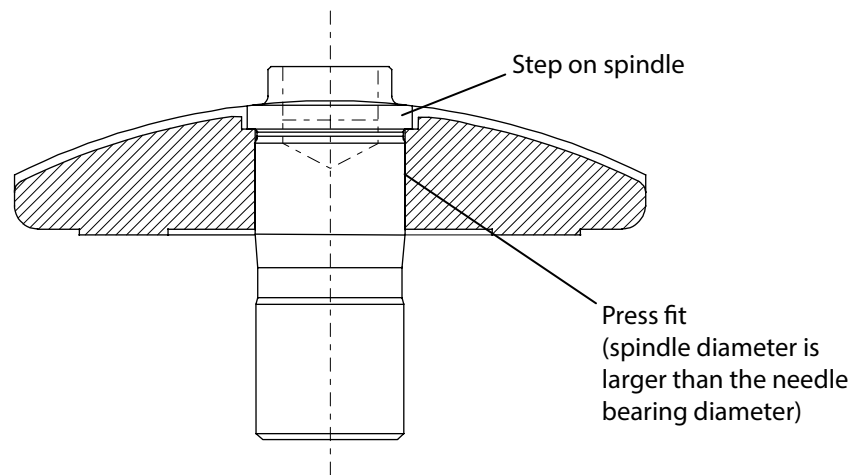
Service Bulletin: SB-1997-030

Products affected Series 51: 60 thru 250cc variable motors

Subject Change to stepped spindle in valve segment

Description As part of the continuing Series 51 product improvement, the valve segment spindle design has been changed. The new design spindle has a step that stops against a recess in the valve segment. The new stepped spindle valve segment assembly replaces the valve segment assemblies with the straight spindle and the retained spindle.

The old segment valve assemblies will become obsolete. The stepped spindle valve segment assembly will be the standard for all models.



Models affected All Series 51 motors

Serial numbers N-96-08-xxxxx and after

Part numbers affected

| Frame size | Obsolete Straight spindle valve segment | Obsolete Retained spindle valve segment | New Stepped spindle valve segment |
|------------|---|---|-----------------------------------|
| 60cc | 504718 | - | 508197 |
| 80cc | 503939 | - | 508198 |
| 110cc | 504715 | 507758 | 508199 |
| 160cc | 507252 | 507759 | 508201 |
| 250cc | 507757 | 507760 | 508202 |

Parts disposition ■ Interchangeable - except where noted

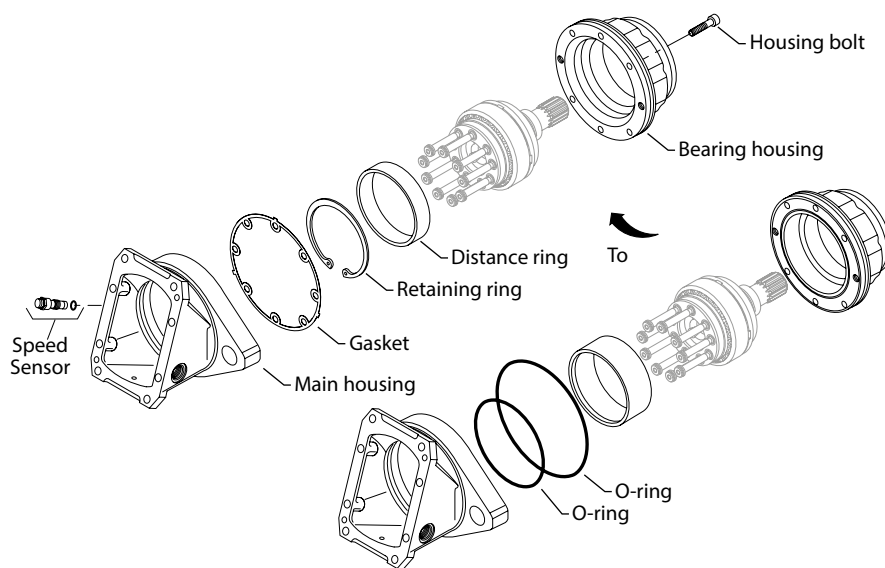


Service Bulletin: SB-1998-035A

Products affected Series 51 cartridge motors

Subject Incorporation of speed sensor into cartridge motors.

Description In order to incorporate a speed sensor into the Series 51 cartridge motors, some changes have been made to the main housing and bearing housing. These changes included: adding a boss to the side of the main housing for the speed sensor, changing from O-ring seals between housings to a gasket seal, shortening the distance ring to allow clearance for the speed sensor, and adding a retaining ring to locate the distance ring. These parts are non-interchangeable as both housings have changed. The old housings and distance ring are obsolete and no longer available as service parts. Refer to Service Bulletin SB-1998-021 for housing bolt torque and sequence.



Models affected 51C060, 51C080, and 51C110 cartridge motors

Serial numbers
 51C060 motors = N-94-42-xxxxx and after
 51C080 motors = N-94-42-xxxxx thru N-98-32-xxxxx. After N98-32-xxxxx see SB-1998-086
 51C110 motors = N-96-24-xxxxx and after

Part numbers affected

| | From | To | From | To | From | To |
|-----------------|--------|--------|--------|--------|--------|--------|
| Description | 60cc | 60cc | 80cc | 80cc | 110cc | 110cc |
| Main housing | 741652 | 501103 | 734855 | 501104 | 738997 | 501105 |
| Bearing housing | 763756 | 501108 | 734632 | 501109 | 738971 | 501110 |
| Retaining ring | -- | 501120 | -- | 371625 | -- | 504732 |
| Gasket | -- | 501019 | -- | 507259 | -- | 501113 |
| O-ring | 792319 | -- | 916759 | -- | 502206 | -- |
| O-ring | 502204 | -- | 279570 | -- | 502207 | -- |
| Distance ring | 741702 | 501116 | 734913 | 501117 | 739045 | 501118 |

Parts disposition ■ Non-interchangeable

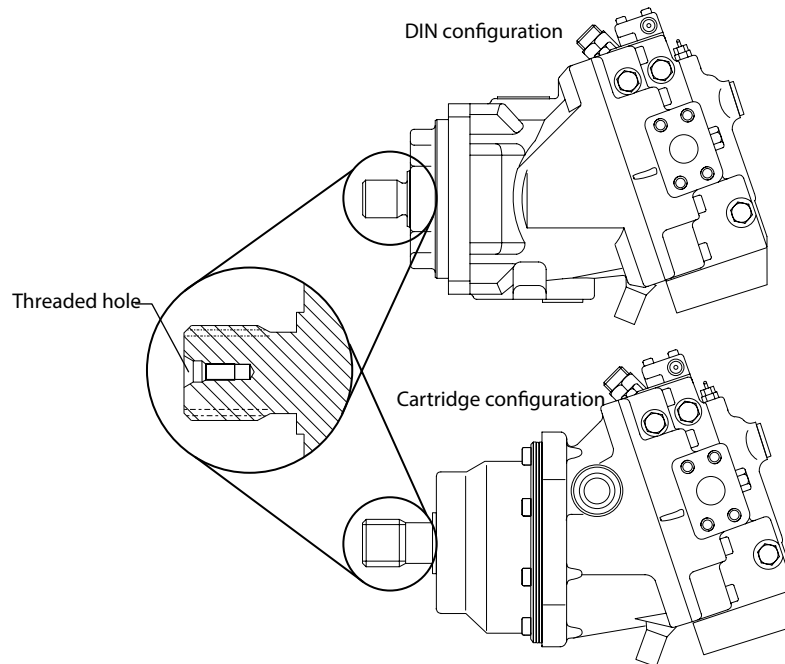


Service Bulletin: SB-1999-059

Products affected Series 51: 60cc, 80cc, 110cc, and 160cc motors

Subject Thread change at customer end of DIN shaft assemblies.

Description As a product improvement, Sauer-Danfoss has changed the threaded hole at the customer end of DIN shaft assemblies to metric threads. Metric shaft assemblies will now have a metric threaded hole. To aid in identifying this change, new shaft assembly part numbers have been released. The new shaft assemblies are interchangeable with the previous shaft assemblies. The previous shaft assembly part numbers will become obsolete.



Models affected All 60, 80, 110, and 160cc motors (Series 51 and 51-1) with DIN shaft assemblies

Serial numbers See table below

Part numbers affected

| Frame size | Shaft code | Previous p/n | New p/n | Bolt size FROM | Bolt size TO | Effective after serial number |
|------------|------------|--------------|---------|----------------|--------------|-------------------------------|
| 60cc | D1 | 747931 | 513034 | 7/16 - 14 | M10 x 1.5 | N-99-17-xxxxx |
| 60cc | D2 | 787622 | 513033 | 7/16 - 14 | M10 x 1.5 | N-99-52-xxxxx |
| 80cc | D2 | 742213 | 513037 | 7/16 - 14 | M10 x 1.5 | N-99-13-xxxxx |
| 80cc | D3 | 783399 | 513035 | 7/16 - 14 | M10 x 1.5 | N-99-12-xxxxx |
| 110cc | D3 | 787663 | 513039 | 5/8 - 11 | M12 x 1.75 | N-99-16-xxxxx |
| 110cc | D4 | 749192 | 513038 | 5/8 - 11 | M12 x 1.75 | N-99-17-xxxxx |
| 160cc | D4 | 787689 | 513041 | 5/8 - 11 | M12 x 1.75 | N-99-16-xxxxx |
| 160cc | D5 | 749226 | 513040 | 5/8 - 11 | M12 x 1.75 | N-99-39-xxxxx |

Parts disposition ■ Interchangeable

Service Bulletin: SB-2000-044

Products affected

All Series 51 & 51-1 motors

Subject

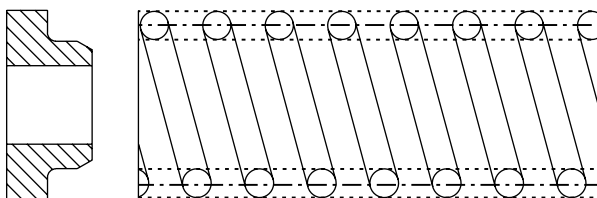
Change to spring and spring seat at ends of loop flushing shuttle spool.

Description

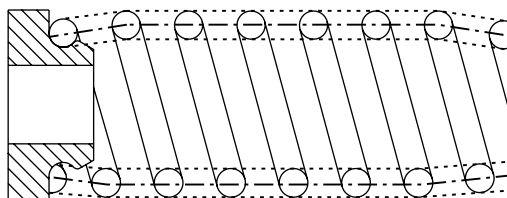
As a product improvement, and to ease assembly, the spring and spring seat at the ends of the loop flushing shuttle spool have been changed. The new spring and spring seat clip together. The old spring and spring seat are interchangeable with the new spring and spring seat as an assembly only.

The old spring seat will become obsolete and no longer available as a service part. The old spring will remain available as a service part.

From:



To:



Models affected

All Series 51 and 51-1 variable motors

Serial numbers

This change became effective at serial number N-00-50-xxxxx

Part numbers affected

From: Spring part number 4350286 and spring seat part number 4800353

To: Spring seat assembly part number 513596

Parts disposition

■ Interchangeable - as an assembly only


Service Bulletin: SB-2001-015
Products affected

All Series 51 & 51-1 motors

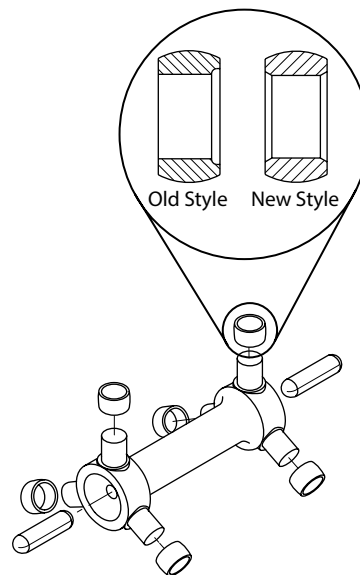
Subject

Incorporation of symmetrical rollers on the synchronizing shaft

Description

As a product improvement and to improve ease of assembly, Sauer-Danfoss has changed the design of the rollers used on the synchronizing shaft in Series 51 and 51-1 motors. The new rollers are symmetrical, in that they can be assembled either direction on the synchronizing shaft. The old rollers were asymmetrical and had to be assembled only one way. The synchronizing shaft has also been changed to accept the symmetrical rollers. The legs for the rollers are now longer in length.

A service kit is available to replace the old design synchronizing shaft and rollers, which are obsolete and no longer available as service parts. The pins at each end of the synchronizing shaft are still the same parts.


Models affected

All Series 51 and 51-1 motors

Serial numbers

Effective after N-01-39-xxxxx

Part numbers affected

| Frame size | Old kit part number | New kit part number |
|------------|---------------------|---------------------|
| 60cc | 771675 | 517308 |
| 80cc | 771121 | 517309 |
| 110cc | 773267 | 516485 |
| 160cc | 776823 | 517310 |
| 250cc | 776831 | 517311 |

Parts disposition

- Interchangeable; as an assembly only
- Use parts in stock



Service Bulletin: SB-2002-001

Products affected

All Series 51 & 51-1 motors

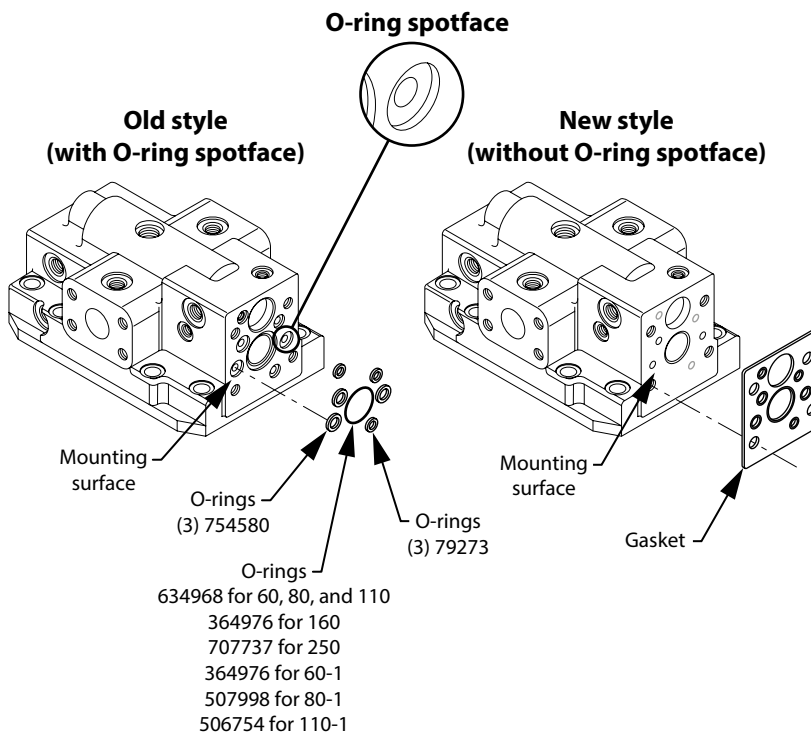
Subject

Sealing change to end cap/control interface

Description

The sealing is improved between the end cap and controls or multi-function blocks on all Series 51 and 51-1 motors. This change replaces individual O-rings with a gasket that incorporates imbedded rubber seal rings. The O-ring spot faces are removed from the end cap mounting face. There is no change to controls' and multi-function blocks' sealing surface.

New end cap part numbers allow better control of this change. Old end cap part numbers are obsolete. You cannot use the new gasket with old end caps and you cannot use the O-rings with new end caps. Control and multi-function block kit now include the O-rings and the new gasket.




Service Bulletin: SB-2002-001

Models affected All Series 51 and 51-1 motors

Serial numbers See table below

Part numbers affected

| End cap code | Frame size | Old part number | New part number | Manufacture date code | Gasket part number |
|--------------|------------|-----------------|-----------------|-----------------------|--------------------|
| R and T | 60 | 504226 | 516057 | N-03-14-xxxxx | 511810 |
| A | 60 | 504228 | 515695 | N-03-12-xxxxx | 511810 |
| R | 60-1 | 506563 | 516902 | N-03-39-xxxxx | 512411 |
| A | 60-1 | 506564 | 516905 | N-03-28-xxxxx | 512411 |
| H | 60-1 | 510643 | 516920 | N-03-28-xxxxx | 512411 |
| R and T | 80 | 504230 | 515056 | N-03-14-xxxxx | 511810 |
| A | 80 | 504232 | 515696 | N-03-27-xxxxx | 511810 |
| R | 80-1 | 507976 | 516903 | N-03-39-xxxxx | 512411 |
| A | 80-1 | 507977 | 516907 | N-03-39-xxxxx | 512411 |
| H | 80-1 | 507978 | 516921 | N-03-39-xxxxx | 512411 |
| R and T | 110 | 504235 | 516058 | N-03-14-xxxxx | 511810 |
| A | 110 | 504237 | 513592 | N-03-01-xxxxx | 511810 |
| R | 110-1 | 506601 | 516904 | N-03-39-xxxxx | 512411 |
| A | 110-1 | 506602 | 515697 | N-03-39-xxxxx | 512411 |
| H | 110-1 | 510634 | 516923 | N-03-39-xxxxx | 512411 |
| R | 160 | 504239 | 516059 | N-03-07-xxxxx | 511851 |
| A | 160 | 504242 | 513543 | N-03-01-xxxxx | 511851 |
| R | 250 | 504244 | 516060 | N-03-07-xxxxx | 511851 |
| A | 250 | 504246 | 513544 | N-03-08-xxxxx | 511851 |

Parts disposition

- Non-interchangeable;
- Order replacement parts

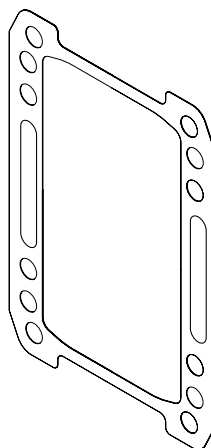


Service Bulletin: SB-2004-004

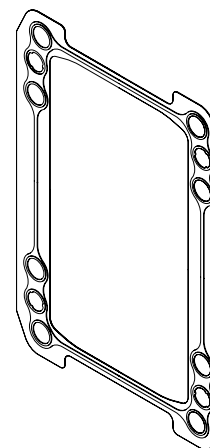
Products affected All Series 51 and 51-1 motors

Subject End cap change

Description Sauer-Danfoss has made a quality improvement change to the gasket sealing the end cap and housing joint. The gasket changed from paper to a rubber coated metal gasket with a raised bead to aid sealing properties. The new gasket is interchangeable with the old gasket. The old gasket will become obsolete and no longer available for service.



Old gasket



New gasket

Models affected Series 51 and 51-1 motors, all sizes (60, 80, 110, 160, and 250 cc)

Serial numbers This change became effective at series numbers:

- N-05-48-xxxxx = 60 cc
- N-04-19-xxxxx = 80 cc
- N-05-48-xxxxx = 110 cc
- N-04-21-xxxxx = 160 cc
- N-04-36-xxxxx = 250 cc

Part numbers affected

| Frame size | Old part number | New part number |
|------------|-----------------|-----------------|
| 60 cc | 501198 | 515733 |
| 80 cc | 501199 | 517237 |
| 110 cc | 501200 | 516124 |
| 160 cc | 501201 | 519806 |
| 250 cc | 501202 | 515735 |

Parts disposition

- Interchangeable;
- Revise exiting part orders

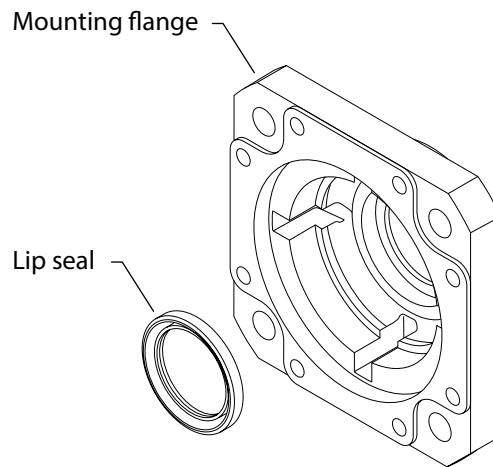


Service Bulletin: SB-2005-012

Products affected Series 51 & 51-1 60 and 80cc motors (SAE & DIN flange only)

Subject Shaft seal change

Description Sauer-Danfoss is continuing to globalize its entire product line. The change to a new shaft seal in the series 51 and 51-1; 60 and 80 cc motors with SAE or DIN mounting flange is part of this effort. The new seal is not interchangeable with the old seal. The new seal has a smaller diameter (60 mm instead of 63.5 mm). The mounting flange has also changed to accept the new seal. The old flanges will become obsolete and no longer available for service. The old seal will remain available for service.



Models affected All series 51 and 51-1; 60 and 80 cc motors with SAE or DIN mounting flange

Serial numbers This change became effective at serial number N-06-13-xxxxx.

Part numbers affected

| Old part number | New part number | Description |
|-----------------------|-----------------|-------------------|
| 673525 / 9008000-0114 | 519021 | Seal |
| 763540 | 520318 | Flange, 60cc, SAE |
| 754895 / 521619 | 519195 | Flange, 80cc, SAE |
| 764076 / 521618 | 11000888 | Flange, 80cc, SAE |
| 775973 | 520314 | Flange, 60cc, DIN |
| 776039 | 520315 | Flange, 80cc, DIN |

Parts disposition

- Non-interchangeable;
- Order replacement parts

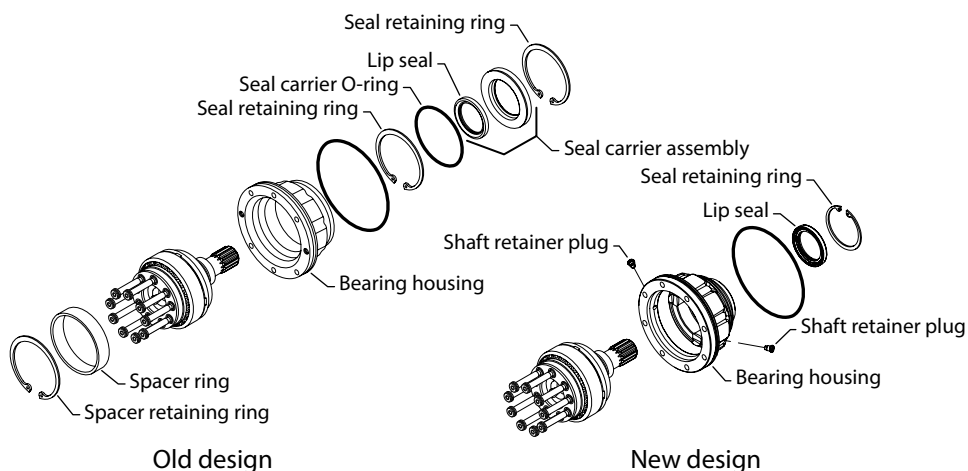


Service Bulletin: SB-2009-006

Products affected Series 51 & 51-1 60 cc cartridge motors

Subject Redesign of bearing housing

Description In an effort to communize the assembly of bent axis motors, the cartridge bearing housing for the series 51 and 51-1 motors has been changed. The new design uses two special plugs to retain the shaft assembly in the housing rather than a spacer ring and retaining ring. The shaft seal hardware has also changed. The new seal design has the lip seal pressed directly into the housing and held in place with a single retaining ring. The old seal design had an O-ring on a seal carrier assembly with two retaining rings holding the seal carrier in place. The lip seal does not change. The new housing will have improved clearances for use in different planetary gearboxes. The old and new housings are not interchangeable. The old housing, spacer ring, spacer retaining ring, seal carrier assembly and retaining rings that held the seal carrier in place will remain available for service.



Models affected All series 51 and 51-1 60cc Cartridge motors.

Serial numbers This change became effective at serial number N09-46-XXXXX. (6 Nov 2009)

Part numbers affected

| Description | Old part number | Replacement part number |
|-----------------------|-----------------|------------------------------|
| Bearing housing | 11009204 | 11038245 |
| Spacer retaining ring | 501120 | 11056747 (retainer plugs)(2) |
| Seal carrier assembly | 510482 | No longer used |
| Lip seal | 519021 | No Change |
| Seal retaining ring | 392456 (2) | 915280 (1) |
| Spacer ring | 501116 | No longer used |
| Seal carrier O-ring | 501879 | No longer used |

Parts disposition

- Non-interchangeable
- Use parts in stock for repair of units built before serial number N09-46-xxxxx
- Order replacement parts
- Revise existing part orders



Products we offer:

- Bent Axis Motors
- Closed Circuit Axial Piston Pumps and Motors
- Displays
- Electrohydraulic Power Steering
- Electrohydraulics
- Hydraulic Power Steering
- Integrated Systems
- Joysticks and Control Handles
- Microcontrollers and Software
- Open Circuit Axial Piston Pumps
- Orbital Motors
- PLUS+1® GUIDE
- Proportional Valves
- Sensors
- Steering
- Transit Mixer Drives

Danfoss Power Solutions is a global manufacturer and supplier of high-quality hydraulic and electronic components. We specialize in providing state-of-the-art technology and solutions that excel in the harsh operating conditions of the mobile off-highway market. Building on our extensive applications expertise, we work closely with our customers to ensure exceptional performance for a broad range of off-highway vehicles.

We help OEMs around the world speed up system development, reduce costs and bring vehicles to market faster.

Danfoss – Your Strongest Partner in Mobile Hydraulics.

Go to www.powersolutions.danfoss.com for further product information.

Wherever off-highway vehicles are at work, so is Danfoss.

We offer expert worldwide support for our customers, ensuring the best possible solutions for outstanding performance. And with an extensive network of Global Service Partners, we also provide comprehensive global service for all of our components.

Please contact the Danfoss Power Solution representative nearest you.

Comatrol

www.comatrol.com

Schwarzmueller-Inverter

www.schwarzmueller-inverter.com

Turolla

www.turollaocg.com

Valmova

www.valmova.com

Hydro-Gear

www.hydro-gear.com

Daikin-Sauer-Danfoss

www.daikin-sauer-danfoss.com

Local address:

Danfoss Power Solutions US Company
2800 East 13th Street
Ames, IA 50010, USA
Phone: +1 515 239 6000

Danfoss Power Solutions GmbH & Co. OHG
Krokamp 35
D-24539 Neumünster, Germany
Phone: +49 4321 871 0

Danfoss Power Solutions ApS
Nordborgvej 81
DK-6430 Nordborg, Denmark
Phone: +45 7488 4444

Danfoss Power Solutions
Building #22, No. 1000 Jin Hai Rd
Jin Qiao, Pudong New District
Shanghai, China 201206
Phone: +86 21 3418 5200

Danfoss can accept no responsibility for possible errors in catalogues, brochures and other printed material. Danfoss reserves the right to alter its products without notice. This also applies to products already on order provided that such alterations can be made without consequential changes being necessary in specifications already agreed. All trademarks in this material are property of the respective companies. Danfoss and the Danfoss logotype are trademarks of Danfoss A/S. All rights reserved.