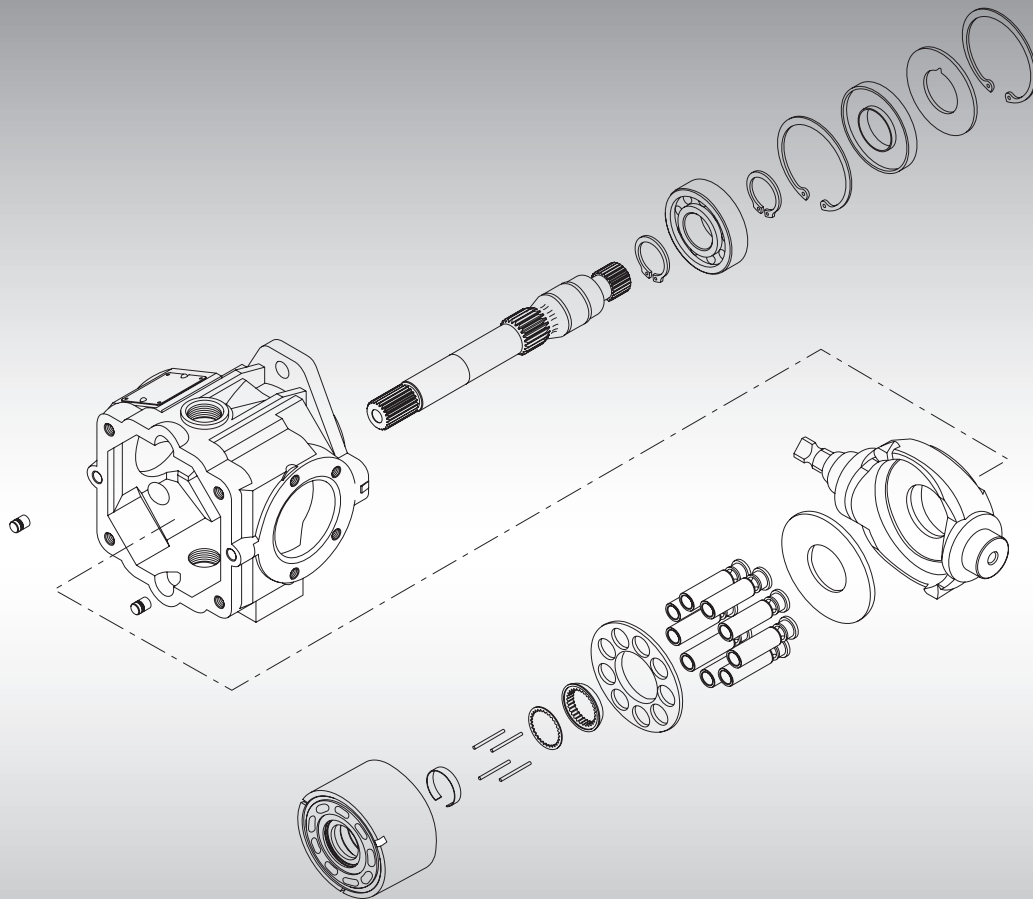




Parts Manual

Series 40 MPV044D and MPT044D Axial Piston Pumps







Contents

General information	Service parts identification.....	4
	Nameplate	4
	Date code	5
	Service bulletins.....	5
	Procedure to identify a part.....	5
	Adobe Acrobat 2-page viewing.....	6
MPV044D	Order code	7
	Swashplate.....	8-9
	Shaft seal	8-9
	Shaft	8-9
	Rotation (valve plate).....	8-9
	Charge pump.....	10-11
	Charge pressure relief valve/setting.....	10-13
	Filtration.....	12-13
	Displacement limitation	13
	By pass valve	13
	System pressure protection.....	12-15
	Direct displacement control.....	14-15
	Auxiliary mounting pad	16-17
	Common parts	18-19
	Special hardware.....	18-19
	Overhaul seal kit.....	20
MPT044D	Order code	22-23
	Swashplate, front pump.....	24-25
	Shaft seal	24-25
	Shaft, front pump.....	24-25
	Rotation (valve plate).....	26-27
	Charge pump.....	28-29
	Charge pressure relief valve/setting.....	28-31
	Filtration.....	32-33
	System pressure protection, front pump.....	34-37
	Direct displacement control, front pump.....	36-39
	Swashplate, rear pump.....	40-41
	Auxiliary mounting pad	40-51
	Common parts	52-53
	Special hardware.....	54-69
	System pressure protection, rear pump.....	70-73
	Direct displacement control, rear pump.....	74-79
	Overhaul seal kit.....	80
Service bulletin	SB-1996-014 (SCR valve assembly)	81
	SB-1998-092 (dowle pin)	82
	SB-1999-040 (trunnion covers/seal)	83
	SB-2000-026 (trunnion lip seal).....	84
	SB-2002-021 (tapered shaft key).....	85
	SB-2003-018 (shaft seal).....	86
	SB-2010-037 (end cap)	85
	SB-2013-002 (gerotor spacer/coupling).....	86



General information

Service parts identification

Use this information and procedure to identify the module group, item number, manufacture date, part number, and part name of the parts included in the Series 40, M44 variable displacement pumps. Use the parts listed when performing minor repairs, major repairs, or conversions on the Series 40: M44 pumps.

Nameplate

Each unit has a nameplate affixed to its housing. The nameplate includes this information:

Model Code

The Sauer-Danfoss model code defines the specific unit. Use it when ordering parts to service this product.

Model Number

The manufacturing factory uses Sauer-Danfoss' model number. On repeat orders, order a complete unit by the model number.

Serial Number

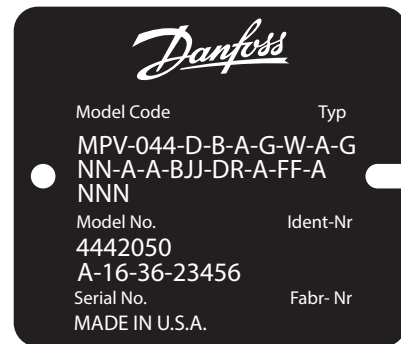
The Sauer-Danfoss serial number identifies the manufacture date and unit sequence in the build. The serial number also identifies the unit's warranty time period.

The letter code indicates the location of original manufacture (assembly). **A** indicates the unit was originally assembled in Ames, Iowa, USA.

The first number (2 digits) indicates the year of manufacture. (01 indicates the unit was manufactured in 2001).

The second number (2 digits) indicates the calendar week of manufacture.

The third number (5 digits) is a sequential number that identifies a specific unit.





General information

Date code

The date code is the year and week of manufacture. The same item number may list more than one part number. This indicates that there is more than one configuration for that item number. You will see that there are different date codes for different part numbers. Find the date code of your unit on the nameplate to determine the service part number you need to order.

EXAMPLE: The service part desired is Item D02.

Order Code	Item	Date Begin	Date End	Part Number	Part Name	Qty. per Model/Kit
N	D02	02-48		5000664	Square key (SB-2002-021)	1
	D02	96-32	02-47	532 (9003310-2514)	Woodruff key	1

All units using this order code with a date code of 96-32, up to and including 02-47, must use part number 9003310-2514. All units with a date code of 02-48, and newer, must use part number 5000664.

Service bulletins

A Service Bulletin Number (SB-____-____) may follow the part name of the part you desire. Read that Service Bulletin before ordering that part. The information contained in these Service Bulletins, as of the print date, are at the end of this manual. Service Bulletins contain more detailed information such as interchangeability, what additional parts are involved, and so forth. We suggest that you add additional Service Bulletins to this manual as you receive them.

Procedure to identify a part

General

The modular design of Series 40 units results in a simplified service parts list and part number identification procedure. The same item numbers are used for same part names on all units within a product type. (Example: The shaft lip seal, Item B02, has the same item number on all pumps.)

A part number that has another number following in parentheses makes this a world-wide manual. The first number is sold in Germany. The number, in parentheses, is sold in the United States. (Example: 701912 (9008000-0121); customers order 9008000-0121 if ordering the part in the United States.)

Example of a part identification

The nameplate on a Series 40 pump has an Order Code of MPV-044-D-B-A-G-W-A-G-NN-A-A-BJJ-DR-A-FF-A-NNN. Do this to determine the part number of the drive shaft used on this pump:

- 1) Referring to the input shaft module in the Order Code (see page 7), the output shaft option for this motor is identified by the code **G**. (MPV-044-D-B-A-**G**-W-A-G-NN-A-A-BJJ-DR-A-FF-A-NNN)
- 2) Referring to the Service Parts List, find the shaft group.
- 3) Find the order code that relates to this unit, which is **G**.
- 4) The shaft is Item E01.
- 5) The part number 4350431.

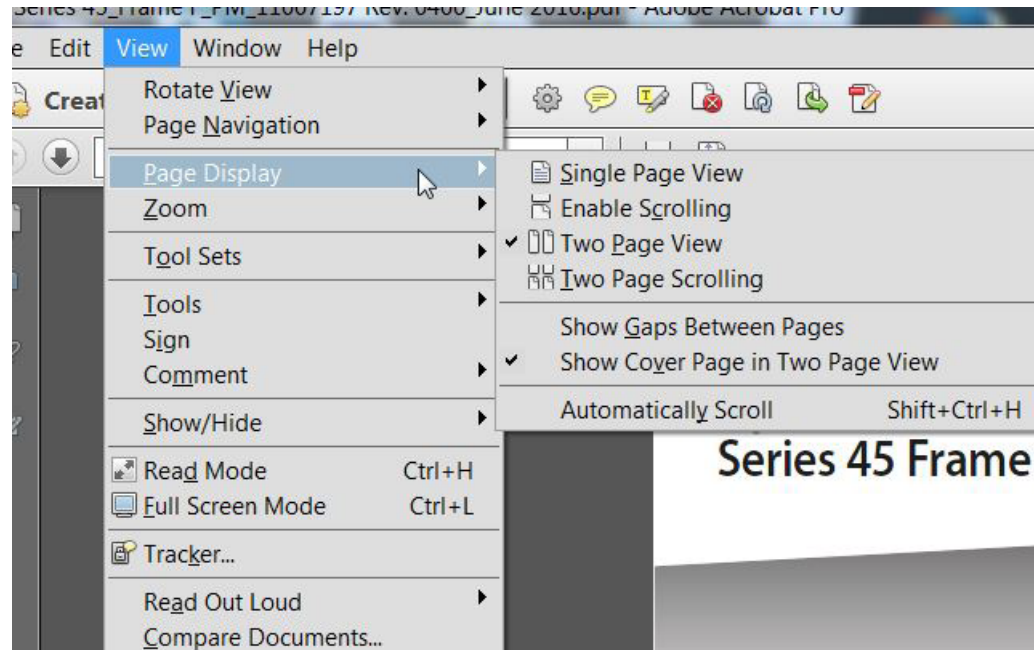


Adobe Acrobat 2-page viewing

Adobe Acrobat 2-page viewing

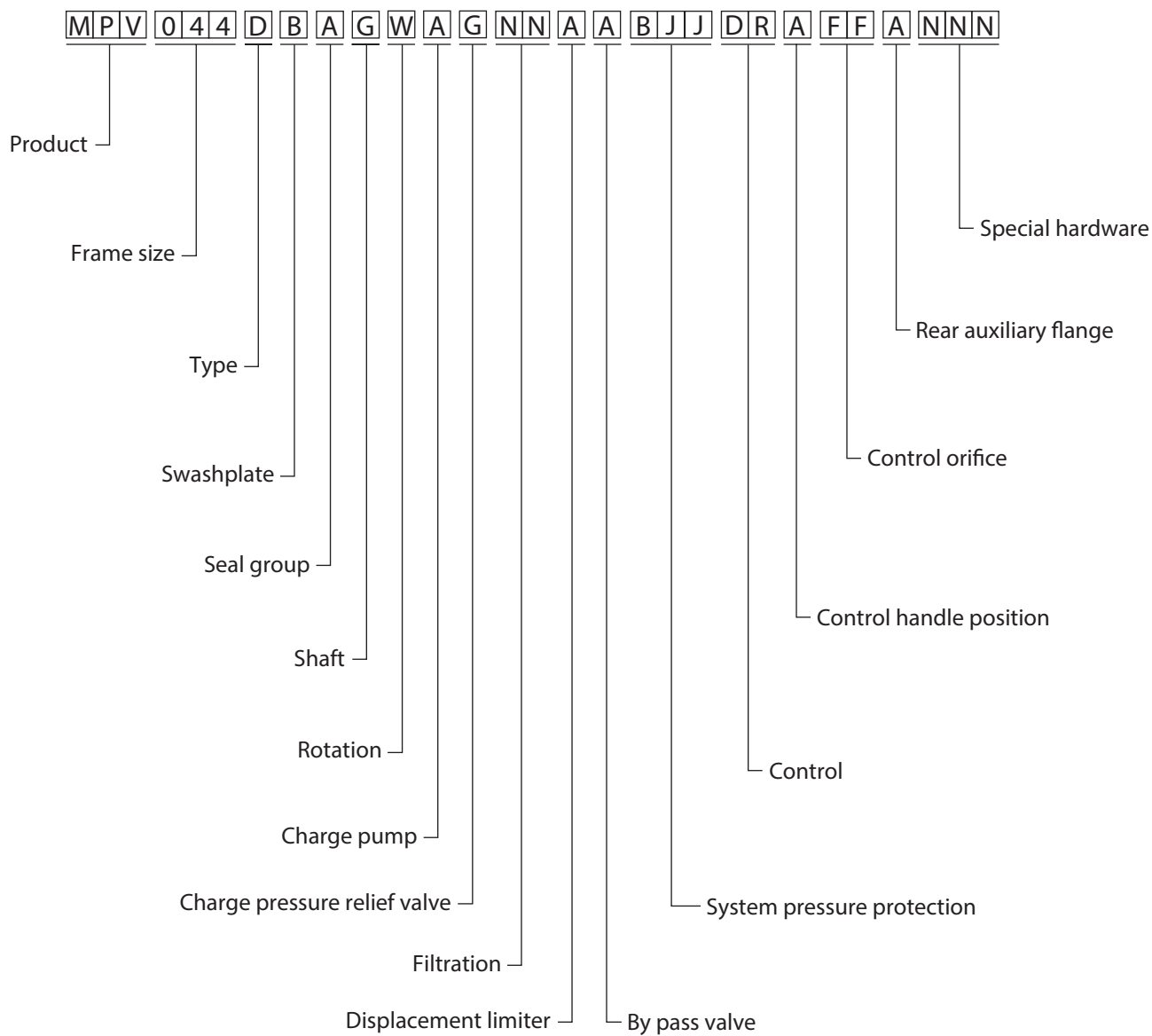
While viewing manual in Adobe Acrobat, the following settings need to be applied to ensure proper page display.

1. With open document
2. Select "View" --> "Page Display" --> "Two Page View"
3. Select "View" --> "Page Display" --> "Show Cover Page in Two Page View"





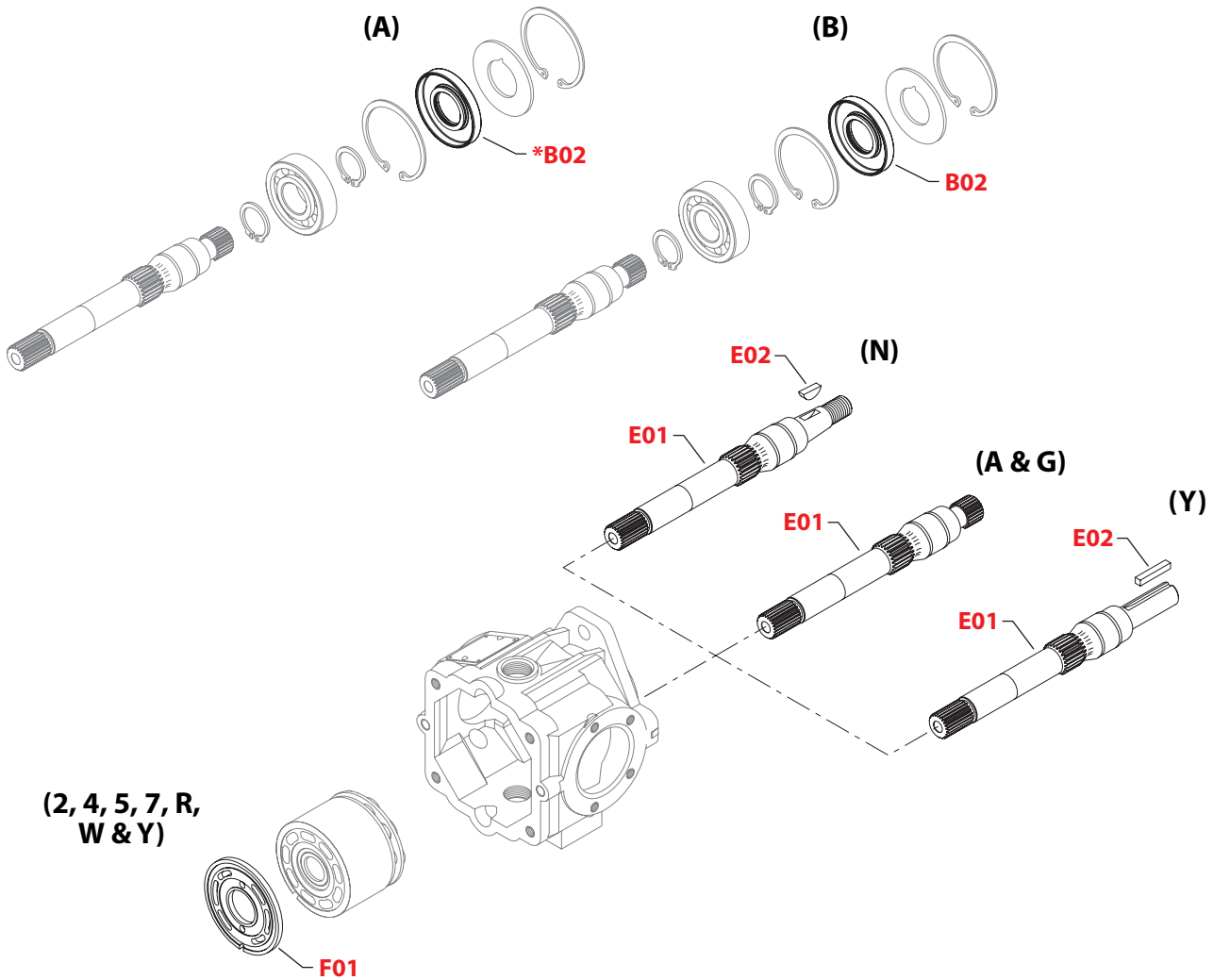
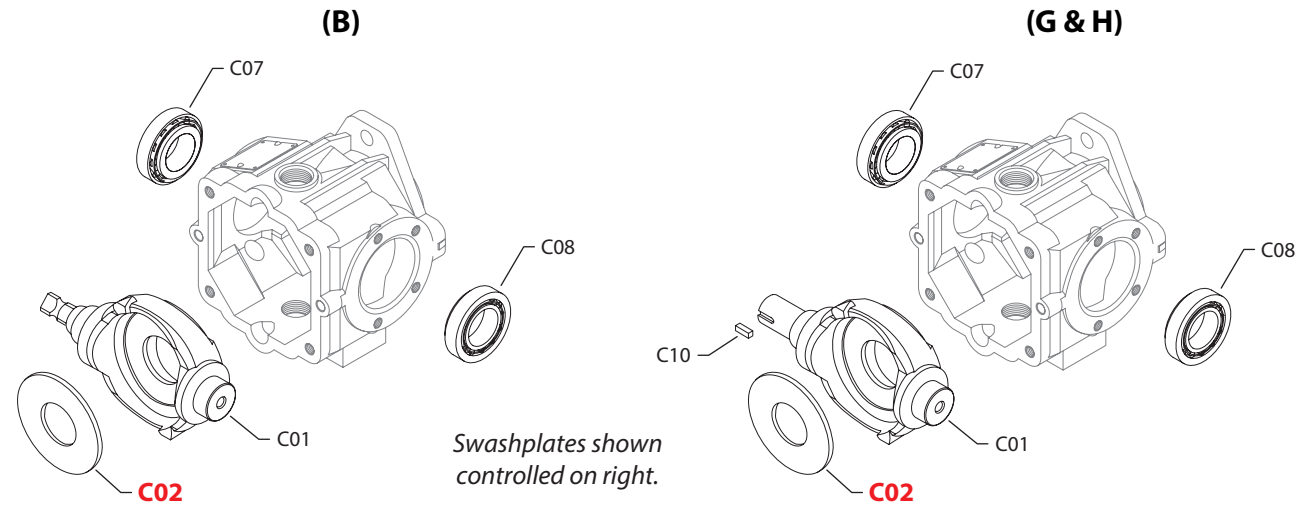
Order code



P100 633E



Variable displacement pump



* = included in overhaul seal kit Q210

E100 548E

Enlarged **bold** type item numbers are recommended part to stock for servicing.


Variable displacement pump
Swashplate

Order Code	Item	Date Begin	Date End	Part Number	Part Name	Qty. per Model/Kit
	C02	95-45		4350148	Thrust plate	1
	C07	95-45		4800470	Bearing kit	1
	C08	95-45		4800470	Bearing kit	1
B	C01	95-45		11166719	Swashplate, tapped	1
G	C01	03-07		4350823	Swashplate, 24 mm diameter keyed, 14.6°	1
	C10	05-05		1040275	Key	1
H	C01	03-07		4350822	Swashplate, 24 mm diameter keyed, 16°	1
	C10	05-05		1040275	Key	1

Shaft seal

A	B02	95-45		5000689	Lip seal (SB-2003-018)	1
B	B02	13-03		11103135	Lip seal	1

Shaft

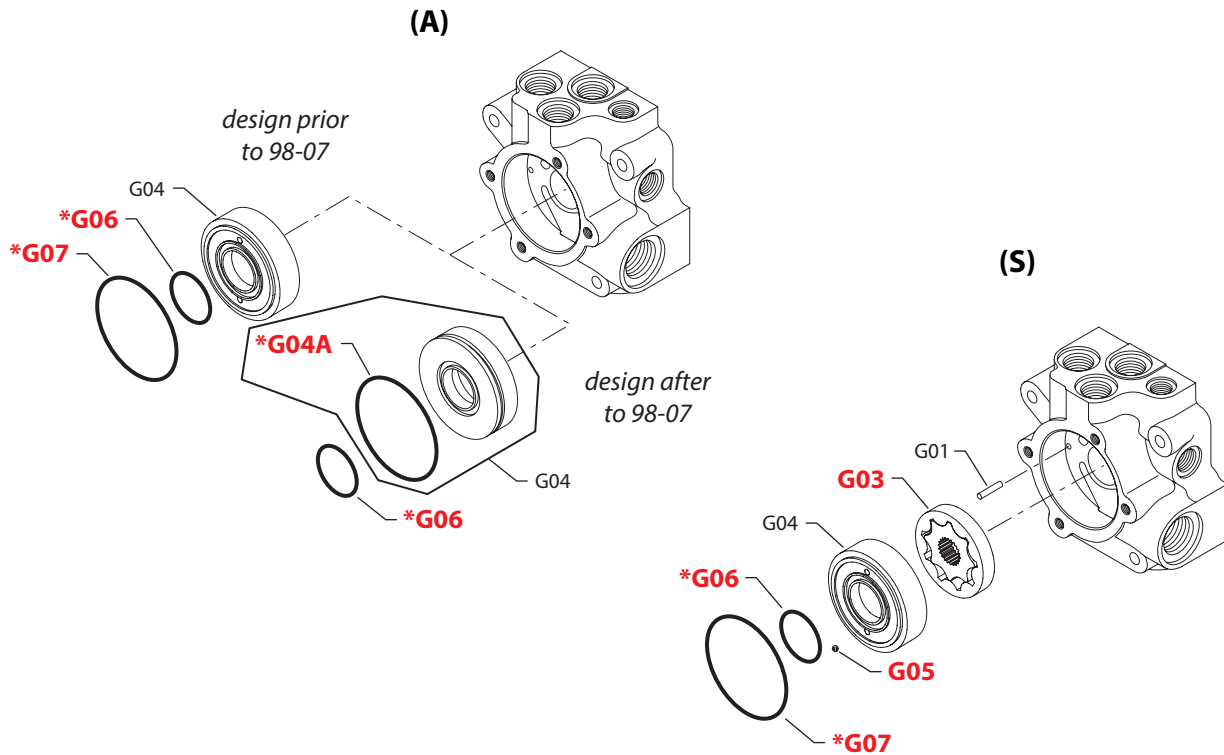
A	E01	95-45		4350397	Shaft, 13-tooth spline	1
G	E01	95-45		4350431	Shaft, 15-tooth spline	1
N	E01	95-45		4350398	Shaft, tapered	1
	E02	95-45		9003310-2514	Key, woodruff	1
Y	E01	95-45		4350399	Shaft, straight key	1
	E02	95-45		9003261-2524	Key, square	1

Rotation

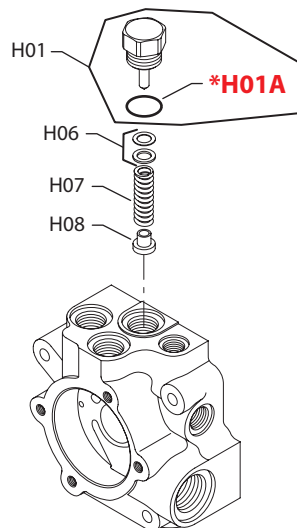
2	F01	98-12		4350729	Valve plate, CCW, 4° index	1
4	F01	98-43		4440076	Valve plate, CCW, low force	1
5	F01	98-43		4440075	Valve plate, CW, low force	1
7	F01	98-12		4350728	Valve plate, CW, 4° index	1
8	F01	95-45		4350730	Valve plate, CW, 6° index	1
9	F01	95-45		4350731	Valve plate, CCW, 6° index	1
R	F01	95-45		4350157	Valve plate, CW	1
W	F01	95-45		4350322	Valve plate, CW, quiet	1
Y	F01	95-45		4350323	Valve plate, CCW, quiet	1



Variable displacement pump



(C, E, F, G, H & R)



E100 549E

* = included in overhaul seal kit Q210

Enlarged **bold** type item numbers are recommended part to stock for servicing.


Variable displacement pump
Charge pump

Order Code	Item	Date Begin	Date End	Part Number	Part Name	Qty. per Model/Kit
A	G04	98-07		4800670	Spacer assembly	1
	G04	95-45	98-06	4800179	Spacer	1
	G04A	98-07		673533	O-ring	1
	G06	98-07		5000352	O-ring	1
	G07	95-45	98-06	5000353	O-ring	1
S	G01	95-45		9004800-1908	Pin	1
	G03	95-45		4800170	Gerotor assembly	1
	G04	95-45		4800179	Spacer	1
	G05	95-45		018564 (9001210-1900)	Ball	1
	G06	95-45		5000352	O-ring	1
	G07	95-45		5000353	O-ring	1

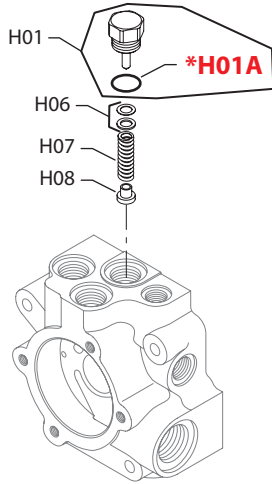
Charge pressure relief valve/setting

C	H01	95-50		4800308	Plug assembly/18 bar [260 psi]	1
	H01A	95-50		001149 (9004201-6200)	O-ring	1
	H06	95-50		4510027	Shim kit	1
	H07	95-50		4800176	Spring	1
	H08	95-50		4800134	Poppet	1
E	H01	95-45		4800308	Plug assembly/11 bar [160 psi]	1
	H01A	95-45		001149 (9004201-6200)	O-ring	1
	H06	95-45		4510027	Shim kit	1
	H07	95-45		4800176	Spring	1
	H08	95-45		4800134	Poppet	1
F	H01	95-45		4800308	Plug assembly/7.5 bar [110 psi]	1
	H01A	95-45		001149 (9004201-6200)	O-ring	1
	H06	95-45		4510027	Shim kit	1
	H07	95-45		4800714	Spring	1
	H08	95-45		4800134	Poppet	1
G	H01	95-45		4800308	Plug assembly/14 bar [200 psi]	1
	H01A	95-45		001149 (9004201-6200)	O-ring	1
	H06	95-45		4510027	Shim kit	1
	H07	95-45		4800176	Spring	1
	H08	95-45		4800134	Poppet	1
H	H01	03-26		4800308	Plug assembly/14 bar [200 psi]	1
	H01A	03-26		001149 (9004201-6200)	O-ring	1
	H06	03-26		4510027	Shim kit	1
	H07	03-26		11022448	Spring	1
	H08	03-26		4800134	Poppet	1
R	H01	98-40		4800308	Plug assembly/6.2 bar [90 psi]	1
	H01A	98-40		001149 (9004201-6200)	O-ring	1
	H06	98-40		4510027	Shim kit	1
	H07	98-40		4800714	Spring	1
	H08	98-40		4800134	Poppet	1

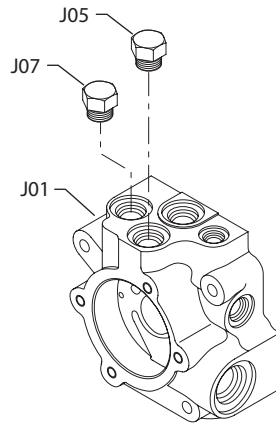


Variable displacement pump

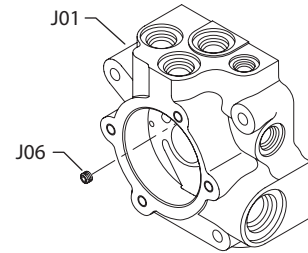
(S)



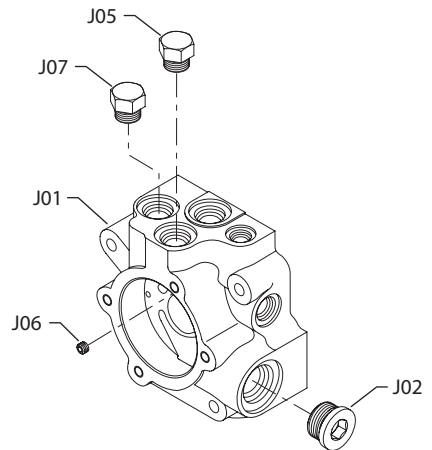
(AA)



(BA)

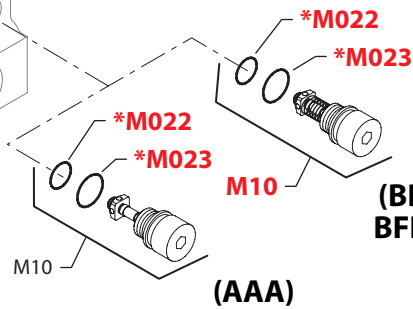
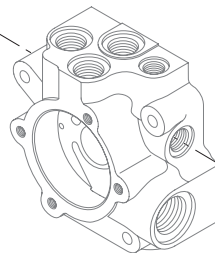
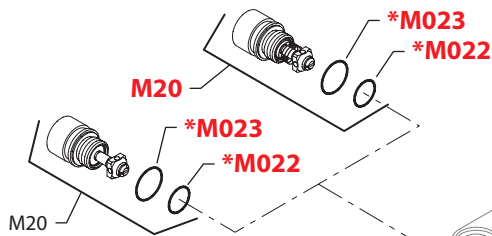


(NN)



(BBB, BDD, BEE,
BFF, BGF & BGG)

(AAA)



(BBB, BDD, BEE,
BFF, BGF & BGG)

E100 583E

* = included in overhaul seal kit Q210

Enlarged **bold** type item numbers are recommended part to stock for servicing.


Variable displacement pump
Charge pressure relief valve/setting

Order Code	Item	Date Begin	Date End	Part Number	Part Name	Qty. per Model/Kit
S	H01	03-50		4350846	Plug assembly/18 bar [260 psi], low noise	1
	H01A	03-50		001149 (9004201-6200)	O-ring	1
	H06	03-50		4510027	Shim kit	1
	H07	03-50		4800176	Spring	1
	H08	03-50		1732454	Poppet	1

Filtration

AA	J01	95-45		4350257	End cap	1
	J05	95-45		001537 (9005100-8700)	Plug assembly	1
	J07	95-45		001537 (9005100-8700)	Plug assembly	1
BA	J01	95-45		4350257	End cap	1
	J06	95-45		001487 (9005001-2500)	Pipe plug	1
NN	J01	95-45		4350257	End cap	1
	J02	95-45		001537 (9005110-9200)	Plug assembly	1
	J05	95-45		001537 (9005100-8700)	Plug assembly	1
	J06	95-45		001487 (9005001-2500)	Pipe plug	1
	J07	95-45		001537 (9005100-8700)	Plug assembly	1

Displacement limitation

A		none
---	--	------

Bypass

A		none
---	--	------

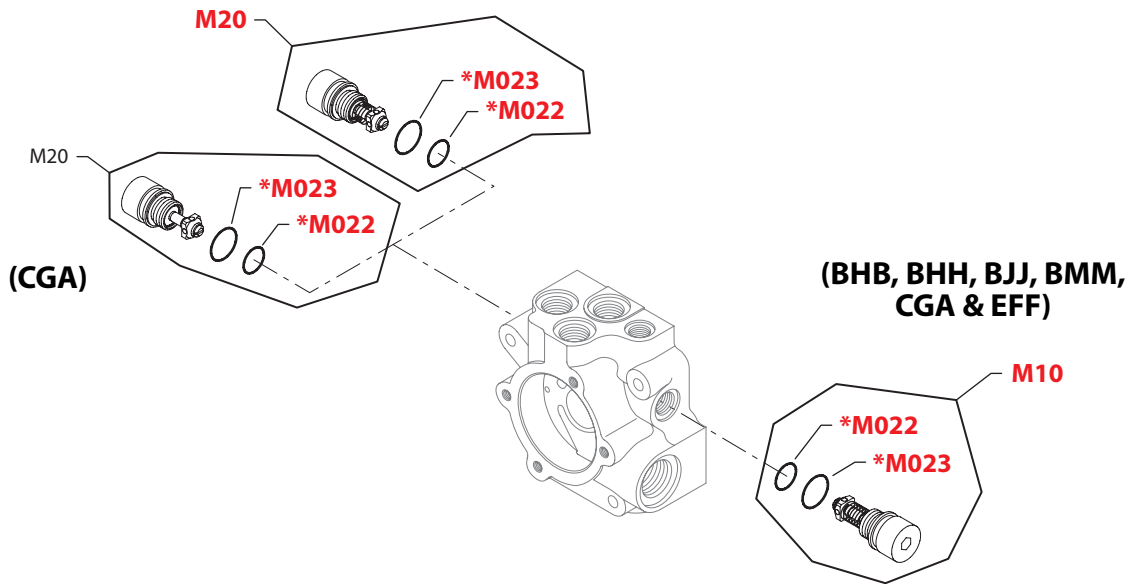
System pressure protection

	M022	95-45		001131 (9004201-5000)	O-ring	2
	M023	95-45		9004100-2110	O-ring	2
AAA	M10	95-45		4350634	Check valve poppet assembly (SB-1996-014)	1
	M20	95-45		4350634	Check valve poppet assembly (SB-1996-014)	1
BBB	M10	95-45		4350643	SCR valve assembly, 175 bar [2528 psi] (SB-1996-014)	1
	M20	95-45		4350643	SCR valve assembly, 175 bar [2528 psi] (SB-1996-014)	1
BDD	M10	95-45		4350641	SCR valve assembly, 210 bar [3045 psi] (SB-1996-014)	1
	M20	95-45		4350641	SCR valve assembly, 210 bar [3045 psi] (SB-1996-014)	1
BEE	M10	95-45		4350640	SCR valve assembly, 230 bar [3335 psi] (SB-1996-014)	1
	M20	95-45		4350640	SCR valve assembly, 230 bar [3335 psi] (SB-1996-014)	1
BFF	M10	95-45		4350639	SCR valve assembly, 250 bar [3625 psi] (SB-1996-014)	1
	M20	95-45		4350639	SCR valve assembly, 250 bar [3625psi] (SB-1996-014)	1
BGF	M10	96-28		4350638	SCR valve assembly, 280 bar [4060 psi]	1
	M20	96-28		4350639	SCR valve assembly, 250 bar [3625 psi]	1
BGG	M10	95-45		4350638	SCR valve assembly, 280 bar [4060 psi] (SB-1996-014)	1
	M20	95-45		4350638	SCR valve assembly, 280 bar [4060 psi] (SB-1996-014)	1

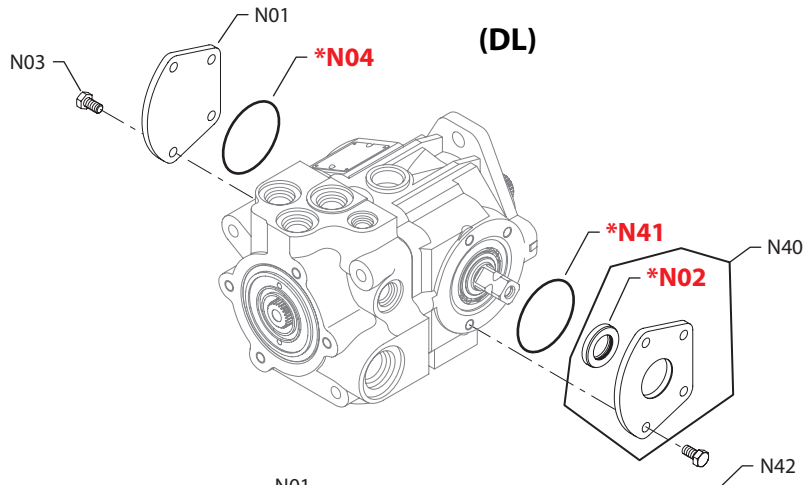


Variable displacement pump

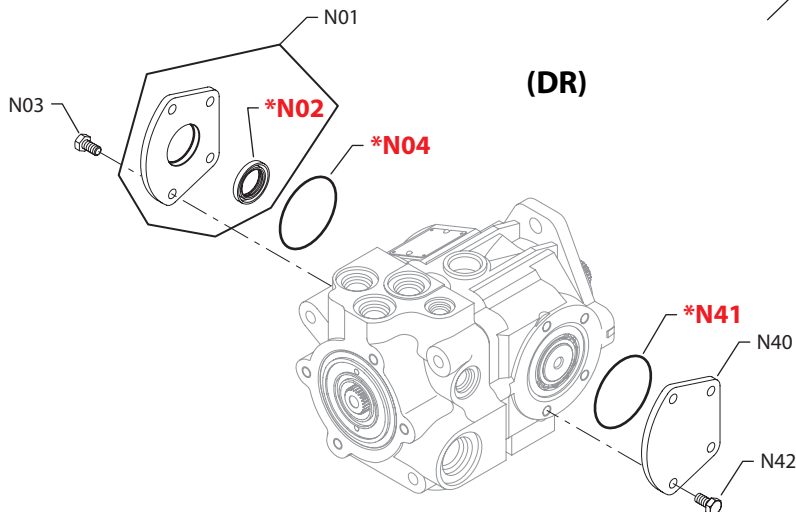
(BHB, BHH, BJJ, BMM & EFF)



(DL)



(DR)



E100 551E

* = included in overhaul seal kit Q210

Enlarged **bold** type item numbers are recommended part to stock for servicing.


Variable displacement pump
System pressure protection

Order Code	Item	Date Begin	Date End	Part Number	Part Name	Qty. per Model/Kit
	M022	95-45		001131 (9004201-5000)	O-ring	2
	M023	95-45		9004100-2110	O-ring	2

System pressure protection

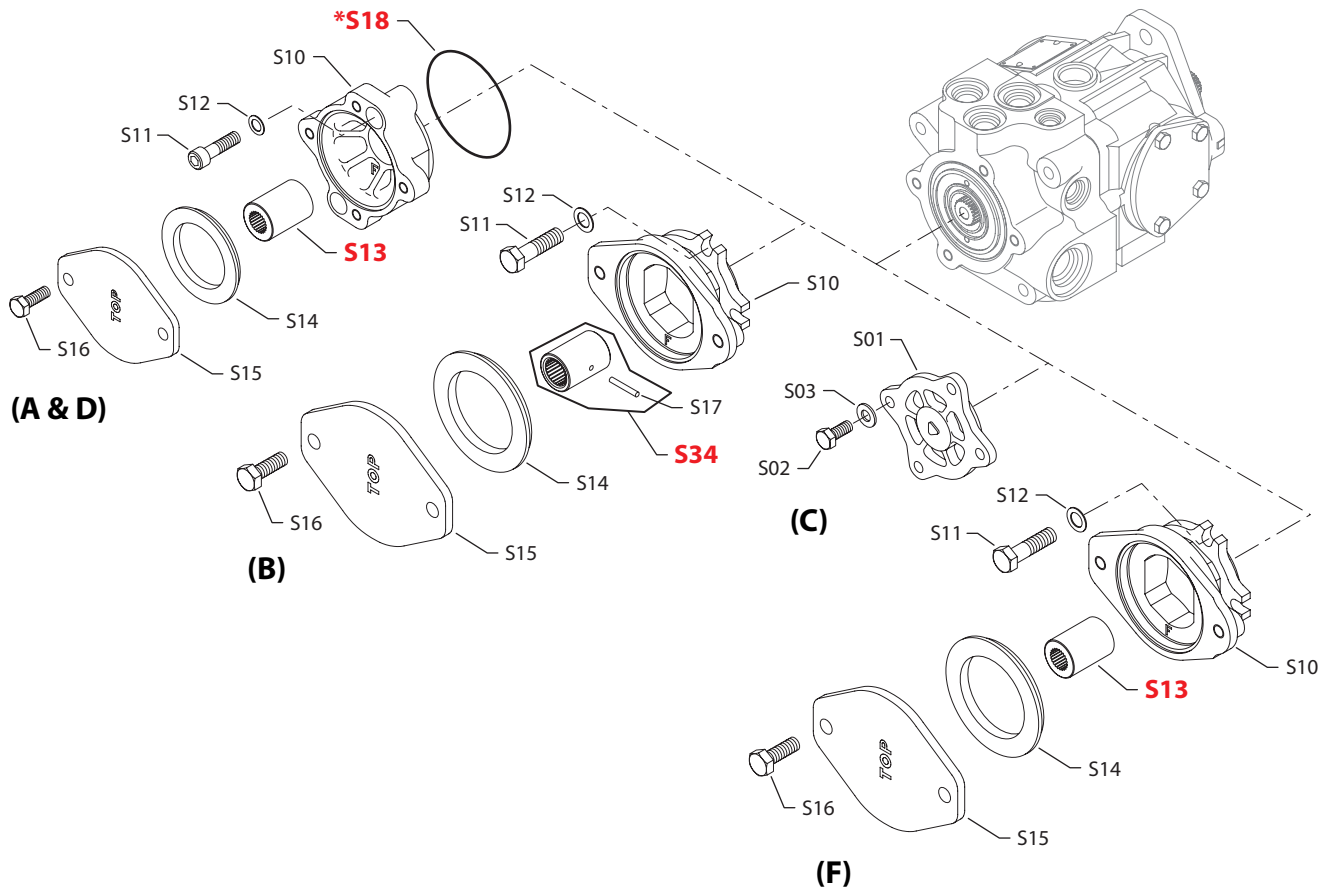
BHB	M10	95-45		4350637	SCR valve assembly, 300 bar [4350 psi] (SB-1996-014)	1
	M20	95-45		4350643	SCR valve assembly, 175 bar [2528 psi] (SB-1996-014)	1
BHH	M10	95-45		4350637	SCR valve assembly, 300 bar [4350 psi] (SB-1996-014)	1
	M20	95-45		4350637	SCR valve assembly, 300 bar [4350 psi] (SB-1996-014)	1
BJJ	M10	95-45		4350636	SCR valve assembly, 345 bar [5000 psi] (SB-1996-014)	1
	M20	95-45		4350636	SCR valve assembly, 345 bar [5000 psi] (SB-1996-014)	1
BMM	M10	95-45		4350635	SCR valve assembly, 140 bar [2030 psi] (SB-1996-014)	1
	M20	95-45		4350635	SCR valve assembly, 140 bar [2030 psi] (SB-1996-014)	1
CGA	M10	95-45		4350638	SCR valve assembly, 280 bar [4060 psi] (SB-1996-014)	1
	M20	95-45		4350634	Check valve poppet assembly (SB-1996-014)	1
EFF	M10	98-47		4250139	SCR valve assembly, 250 bar [3625 psi]	1
	M20	95-45		4250139	SCR valve assembly, 250 bar [3625 psi]	1

Direct displacement control

DL	N01	95-45		4250027	Trunnion cover	1
	N02	95-45		5000604	Trunnion lip seal (SB-2000-026)	1
	N03	95-45		378083 (9007210-0804)	Screw	4
	N04	95-45		9004300-1460	O-ring	1
	N40	95-45		4350732	Trunnion cover assembly, on left side (SB-1999-040)	1
	N41	95-45		9004300-1460	O-ring	1
	N42	95-45		378083 (9007210-0804)	Screw	4
	DR	N01	95-45		4350732	Trunnion cover assembly, on right side (SB-1999-040)
N02		95-45		5000604	Trunnion lip seal (SB-2000-026)	1
N03		95-45		378083 (9007210-0804)	Screw	4
N04		95-45		9004300-1460	O-ring	1
N40		95-45		4250027	Trunnion cover	1
N41		95-45		9004300-1460	O-ring	1
N42		95-45		378083 (9007210-0804)	Screw	4



Variable displacement pump



E100 586E

* = included in overhaul seal kit Q210

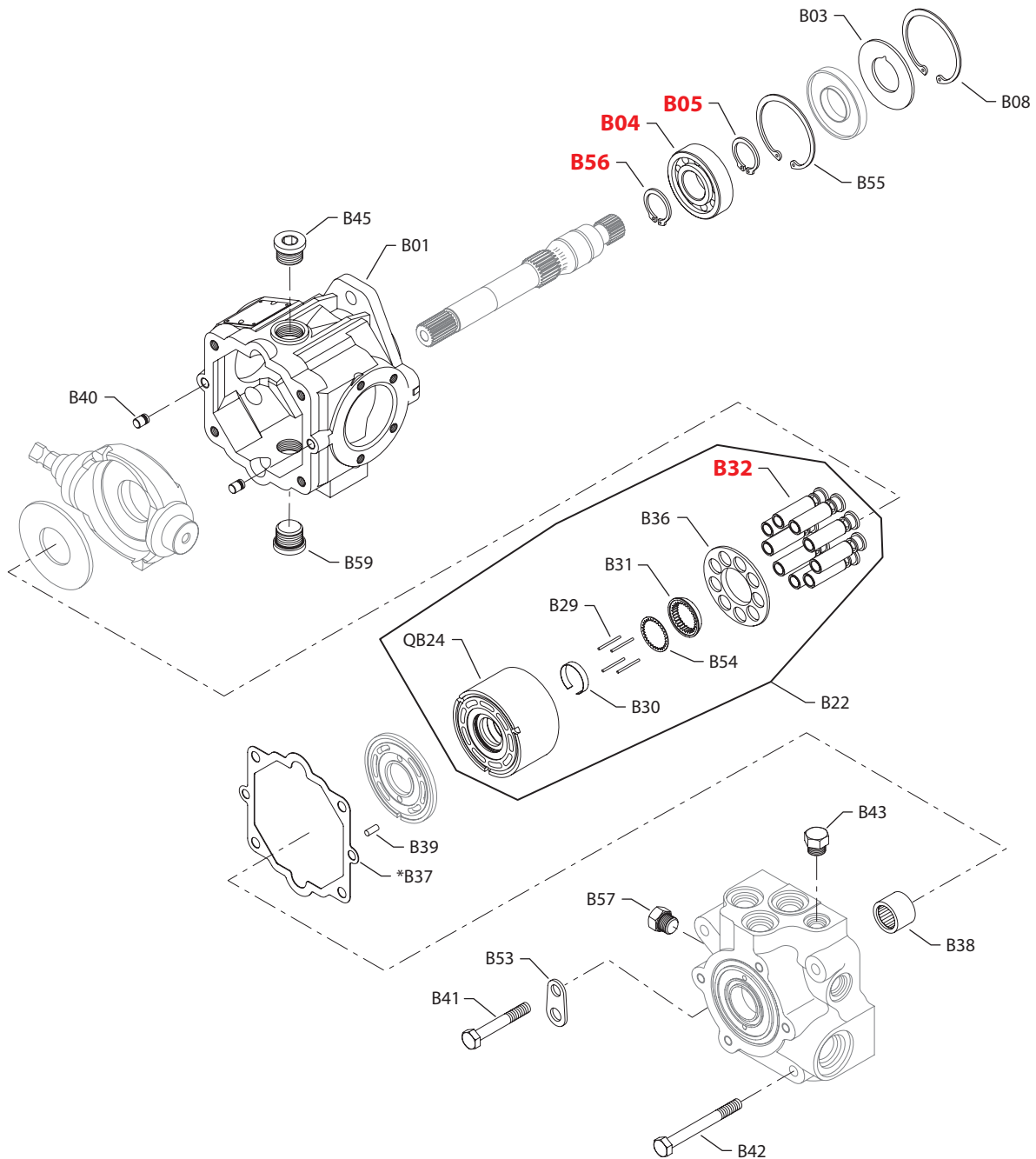
Enlarged **bold** type item numbers are recommended part to stock for servicing.


Variable displacement pump
Auxiliary mounting

Order Code	Item	Date Begin	Date End	Part Number	Part Name	Qty. per Model/Kit
A	S10	95-45		4800156	Adapter flange, SAE A	1
	S11	95-45		732982 (9007314-1009)	Screw, M10 x 40	2
	S12	95-45		9009625-0154	Washer	2
	S13	95-45		4350113	Coupling, 9-tooth spline	1
	S14	95-45		4800482	A pad seal	1
	S15	95-45		4460586	Cover plate	1
	S16	95-45		9007200-3716	Screw	2
	S18	14-21		9004101-1530	O-ring	1
B	S10	95-45		4800157	Adapter flange, SAE B	1
	S11	95-45		9007210-1007	Screw, M10 x 30	4
	S12	95-45		9009600-4487	Washer	4
	S14	05-22		8801061	B pad seal	1
	S14	95-45	05-21	9004100-1550	O-ring	1
	S15	05-22		8801059	Cover plate	1
	S15	95-45	05-21	4460370	Cover plate	1
	S16	95-45		9007200-5022	Screw	2
	S17	95-45		9004700-1222	Pin	1
	S34	95-45		4350691	Coupling assembly, 13-tooth spline	1
C	S01	95-45		4800158	Gerotor cover	1
	S02	95-45		9007210-1006	Screw, M10 x 25	4
	S03	95-45		9009600-4487	Washer	4
D	S10	95-45		4800182	Adapter flange, SAE A	1
	S11	95-45		732982 (9007314-1009)	Screw, M10 x 40	2
	S12	95-45		9009625-0154	Washer	2
	S13	95-45		762534 (4350189)	Coupling, 11-tooth spline	1
	S14	95-45		4800482	A pad seal	1
	S15	95-45		4460586	Cover plate	1
	S16	95-45		9007200-3716	Screw	2
	S18	14-21		9004101-1530	O-ring	1
G	S10	03-06		4800182	Adapter flange, SAE B	1
	S11	03-06		732982 (9007314-1009)	Screw, M10 x 40	2
	S12	03-06		9009625-0154	Washer	2
	S13	03-06		762534 (4350189)	Coupling, 11-tooth spline	1
	S18	03-06		9004101-1530	O-ring	1
	H	S10	03-50		1712494-01	Adapter flange, SAE A
S11		03-50		732982 (9007314-1009)	Screw, M10 x 40	2
S12		03-50		9009625-0154	Washer	2
S13		03-50		4350113	Coupling, 11-tooth spline	1
S14		03-50		4800482	A pad seal	1
S15		03-50		4460586	Cover plate	1
S16		03-50		9007200-3716	Screw	2
S40		03-50		9004100-2360	O-ring	1



Variable displacement pump



E103 493E

* = included in overhaul seal kit Q210

Enlarged **bold** type item numbers are recommended part to stock for servicing.


Variable displacement pump
Common parts

Order Code	Item	Date Begin	Date End	Part Number	Part Name	Qty. per Model/Kit
	B01	95-45		4350350	Housing	1
	B03	95-45		11083729	Seal support washer	1
	B04	95-45		5000731	Ball bearing	1
	B05	95-45		9006300-0137	Retaining ring	1
	B08	95-45		9006200-0281	Retaining ring	1
	B29	95-45		9004875-0109	Slipper holddown pin	4
	B30	95-45		4350048	Slipper holddown pin retainer	1
	B31	95-45		4350186	Slipper retainer guide	1
	B36	95-45		4350185	Slipper retainer	1
	B37	95-45		4350145	End cap gasket	1
	B38	95-45		9001465-0015	Needle bearing	1
	B39	95-45		9004700-1910	Slotted pin	1
	B40	95-45		5000529	Pin (SB-1998-092)	2
	B41	95-45		9007210-1014	Screw, M10 x 65	2
	B42	95-45		648444 (9007210-1018)	Screw, M10 x 90	2
	B43	95-45		046151 (9005100-5600)	Plug assembly	1
	B45	95-45		664524 (9005110-9000)	Plug assembly	1
	B53	95-45		8800565	Lifting bracket	1
	B54	95-45		4350187	Thrust washer	1
	B55	95-45		9006200-0281	Retaining ring	1
	B56	95-45		615245 (9006300-0137)	Retaining ring	1
	B57	95-45		046151 (9005100-5600)	Plug assembly	1
	B59	95-45		664524 (9005110-9000)	Plug assembly	1
	QB24	95-45		11131906	Cylinder block assembly	1

Special hardware

ANA	B22	95-45		4440114	Cylinder block kit, welded pistons	1
	B32	95-45		4440113	Piston assembly, welded	9
NGD	B22	95-45		4440004	Cylinder block kit	1
	B32	95-45		4440003	Piston assembly	9
NNN	B22	95-45		4440004	Cylinder block kit	1
	B32	95-45		4440003	Piston assembly	9
NOP	B22	95-45		4440004	Cylinder block kit	1
	B32	95-45		4440003	Piston assembly	9


Variable displacement pump
Overhaul seal kit

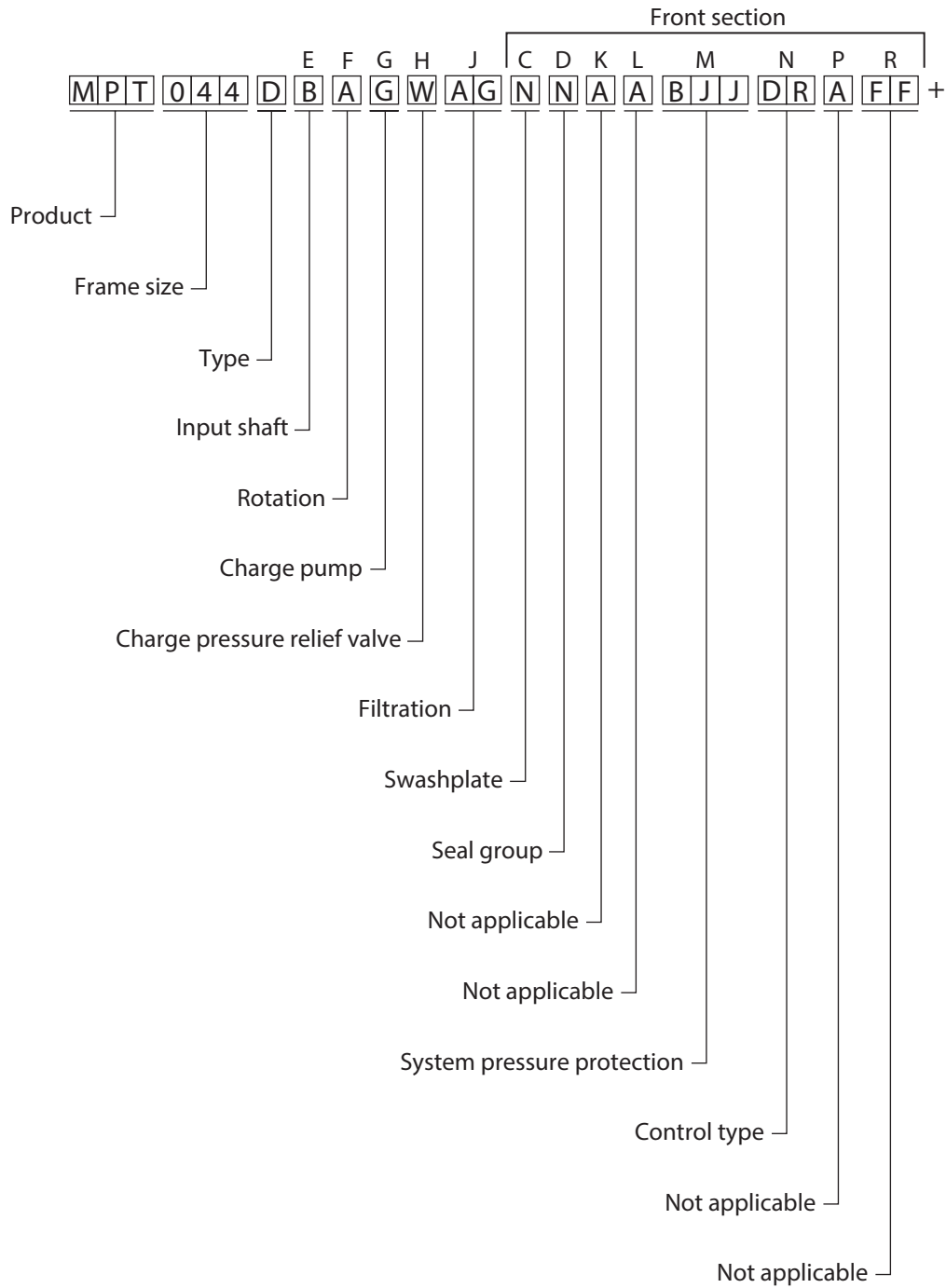
Order Code	Item	Date Begin	Date End	Part Number	Part Name	Qty. per Model/Kit
	Q210	95-45		11181820	Overhaul seal kit, MPV035/44D	1
	B02	95-45		5000689	Lip seal (SB-2003-018)	1
	B37	95-45		4350145	End cap gasket	1
	G04A	98-07		673533	O-ring, .103 x 3.237, nitrile, 70D	1
	G06	95-45		5000352	O-ring, .139 x 1.609, nitrile, 90D	1
	G07	95-45		5000353	O-ring, .139 x 3.234, nitrile, 90D	1
	H01A	95-45		001149 (9004201-6200)	O-ring, .097 x .755, nitrile, 90D	1
	M022	95-45		001131 (9004201-5000)	O-ring, .087 x .644, nitrile, 90D	2
	M023	95-45		9004100-2110	O-ring, .139 x .796, nitrile, 70D	2
	N02	95-45		5000604	Trunnion lip seal (SB-2000-026)	1
	N04	95-45		9004300-1460	O-ring, .099 x 2.612, nitrile, 70D	1
	N41	95-45		9004300-1460	O-ring, .099 x 2.612, nitrile, 70D	1
	S18	95-45		9004101-1530	O-ring, .103 x 3.487, nitrile, 90D	1



Notes

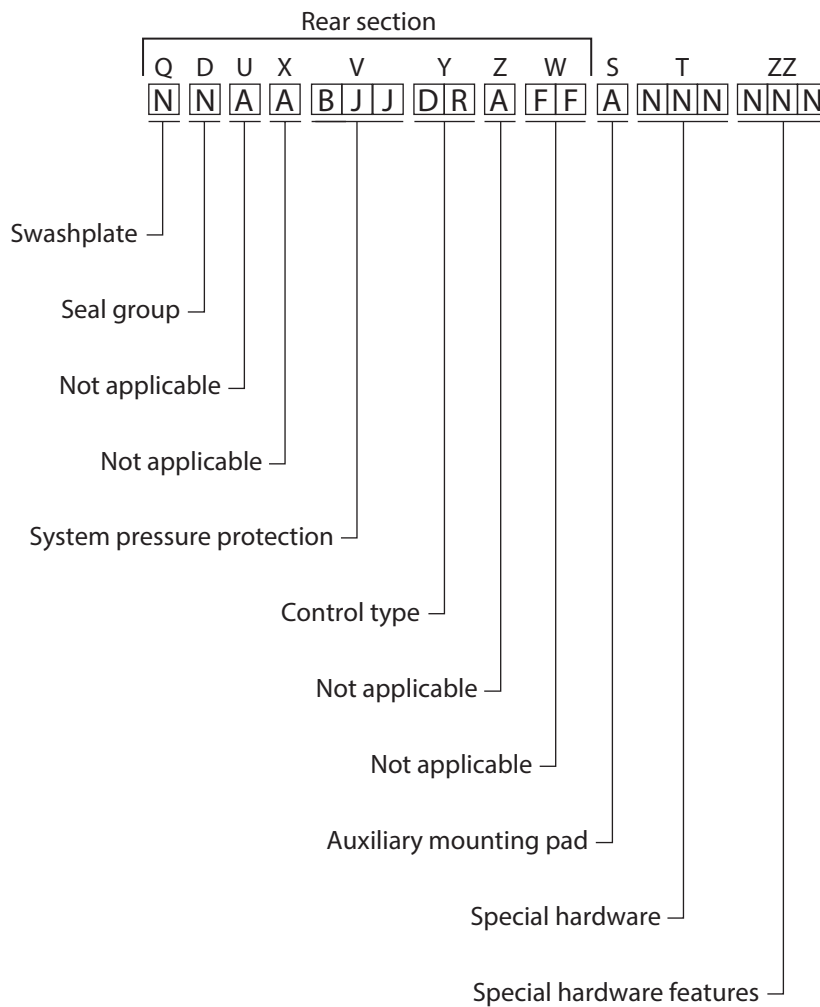


Order code



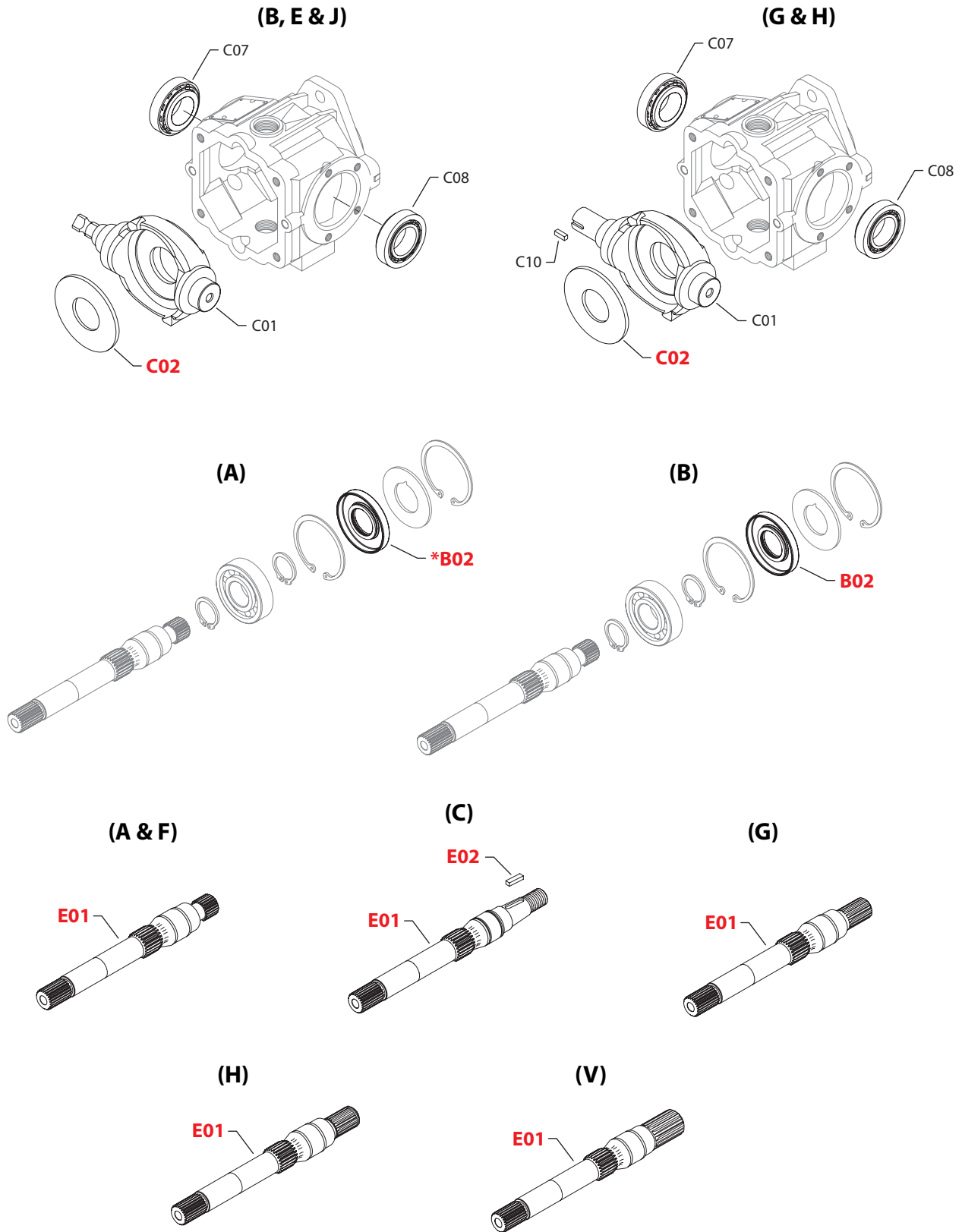


Order code





Variable displacement tandem pump



E103 494E

* = included in overhaul seal kit Q210

Enlarged **bold** type item numbers are recommended part to stock for servicing.


Variable displacement tandem pump
Swashplate

Order Code	Item	Date Begin	Date End	Part Number	Part Name	Qty. per Model/Kit
B	C01	95-45		11166719	Swashplate, tapped, 3/8-16	1
	C02	95-45		4350148	Thrust plate	1
	C07	95-45		4800470	Bearing kit	1
	C08	95-45		4800470	Bearing kit	1
E	C01	02-32		4440275	Swashplate, 1.25" trunnion	1
	C02	02-32		4350148	Thrust plate	1
	C07	02-32		4800470	Bearing kit	1
	C08	02-32		4800470	Bearing kit	1
G	C01	03-07		4350823	Swashplate, 24 mm diameter keyed, 14.6°	1
	C02	03-07		4350148	Thrust plate	1
	C07	03-07		4800470	Bearing kit	1
	C08	03-07		4800470	Bearing kit	1
	C10	05-05		1040275	Key	1
H	C01	03-07		4350822	Swashplate, 24 mm diameter keyed, 16°	1
	C02	03-07		4350148	Thrust plate	1
	C07	03-07		4800470	Bearing kit	1
	C08	03-07		4800470	Bearing kit	1
	C10	05-05		1040275	Key	1
J	C01	03-26		11166719	Swashplate, tapped, 3/8-16	1
	C02	03-26		4350148	Thrust plate	1
	C07	03-26		4800470	Bearing kit	1
	C08	03-26		4800470	Bearing kit	1

Shaft seal

A	B02	95-45		5000689	Lip seal (SB-2003-018)	1
B	B02	13-03		11103135	Lip seal	1
C				None		

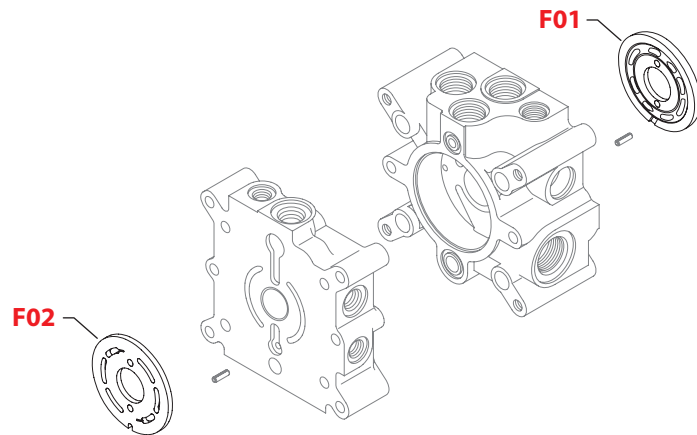
Input shaft

A	E01	95-45		4350425	Shaft, 15-tooth spline	1
C	E01	95-45		4350791	Shaft, tapered (SB-2002-021)	1
	E02	02-27		5000664	Key, square (SB-2002-021)	1
	E02	95-45	02-26	9003310-2514	Key, woodruff	1
F	E01	15-32		11168460	Shaft, 14-tooth spline	1
G	E01	95-45		4350433	Shaft, 15-tooth spline, special	1
H	E01	95-45		11066019	Shaft, 15-tooth spline, no undercut, snap ring groove	1
V	E01	03-07		1715573	Shaft, 18-tooth	1



Variable displacement tandem pump

(2, 4, 5, 8, 9, B, C, J, K, L, M, N, P, R, W & Y)



E100 558E

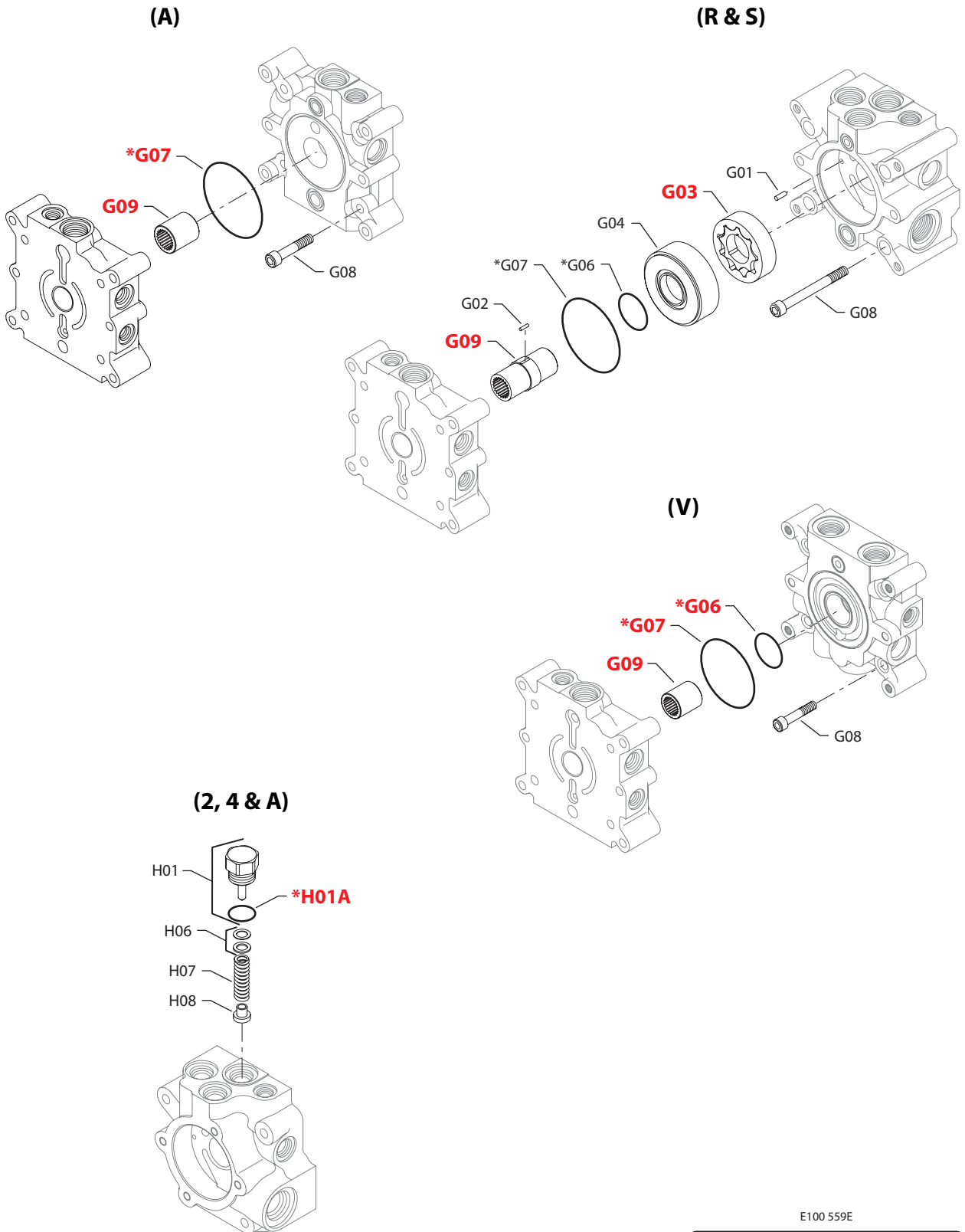
Enlarged **bold** type item numbers are recommended part to stock for servicing.


Variable displacement tandem pump
Rotation

Order Code	Item	Date Begin	Date End	Part Number	Part Name	Qty. per Model/Kit
2	F01	95-50		4350729	Valve plate, CCW, 4° index	1
	F02	95-50		4350728	Valve plate, CW, 4° index	1
4	F01	97-06		4440076	Valve plate, CCW, low force	1
	F02	97-06		4440075	Valve plate, CW, low force	1
5	F01	97-11		4440075	Valve plate, CW, low force	1
	F02	97-11		4440076	Valve plate, CCW, low force	1
8	F01	03-34		4350730	Valve plate, CW, 6° index	1
	F02	03-34		4350731	Valve plate, CCW, 6° index	1
9	F01	03-21		4350728	Valve plate, CW, 4° index	1
	F02	03-21		4350729	Valve plate, CCW, 4° index	1
B	F01	95-45	03-29	4350728	Valve plate, CCW, 4° index	1
	F02	95-45	03-29	4350729	Valve plate, CW, 4° index	1
C	F01	99-49		4350731	Valve plate, CCW, 6° index	1
	F02	99-49		4350730	Valve plate, CW, 6° index	1
J	F01	14-38		11155056	Valve plate, CW, 5° index	1
	F02	14-38		11155058	Valve plate, CCW, 5° index	1
K	F01	14-38		11155058	Valve plate, CCW, 5° index	1
	F02	14-38		11155056	Valve plate, CW, 5° index	1
L	F01	95-45		4350158	Valve plate, CCW,	1
	F02	95-45		4350157	Valve plate, CW	1
M	F01	95-45		4350285	Valve plate, CW, 0° index	1
	F02	95-45		4350284	Valve plate, CCW, 0° index	1
N	F01	95-45		4350284	Valve plate, CCW, 0° index	1
	F02	95-45		4350285	Valve plate, CW, 0° index	1
P	F01	16-08		11136836	Valve plate, CCW	1
	F02	16-08		11136834	Valve plate, CW	1
R	F01	95-45		4350157	Valve plate, CW	1
	F02	95-45		4350158	Valve plate, CCW	1
W	F01	95-45		4350322	Valve plate, CW, quiet	1
	F02	95-45		4350323	Valve plate, CCW, quiet	1
Y	F01	95-45		4350323	Valve plate, CCW, quiet	1
	F02	95-45		4350322	Valve plate, CW, quiet	1



Variable displacement tandem pump



* = included in overhaul seal kit Q210

E100 559E

Enlarged **bold** type item numbers are recommended part to stock for servicing.


Variable displacement tandem pump
Charge pump

Order Code	Item	Date Begin	Date End	Part Number	Part Name	Qty. per Model/Kit
A	G07	95-45		9004100-1530	O-ring	1
	G08	95-45		654053 (9007314-1012)	Screw, M10 x 55	4
	G09	95-45		4350046	Coupling	1
R	G01	95-45		9004800-1908	Pin	1
	G02	95-45		9004800-1206	Pin	1
	G03	95-45		4800128-0001	Gerotor assembly, 16.4cc/rev	1
	G04	95-45		11111469	Gerotor spacer (SB-2013-002)	1
	G06	95-45		5000352	O-ring	1
	G07	95-45		9004100-2370	O-ring	1
	G08	95-45		9007314-1018	Screw, M10 x 90	4
	G09	95-45		11104848	Coupling (SB-2013-002)	1
	S	G01	95-45		9004800-1908	Pin
G02		95-45		9004800-1206	Pin	1
G03		95-45		4800128-0002	Gerotor assembly, 19.7cc/rev	1
G04		95-45		4800178	Gerotor spacer	1
G06		95-45		5000352	O-ring	1
G07		95-45		9004100-2370	O-ring	1
G08		95-45		9007314-1018	Screw, M10 x 90	4
G09		95-45		11104848	Coupling (SB-2013-002)	1
V		G06	03-05		9004100-1310	O-ring
	G07	03-05		9004100-1530	O-ring	1
	G08	03-05		654053 (9007314-1012)	Screw, M10 x 55	4
	G09	03-05		4350046	Coupling	1

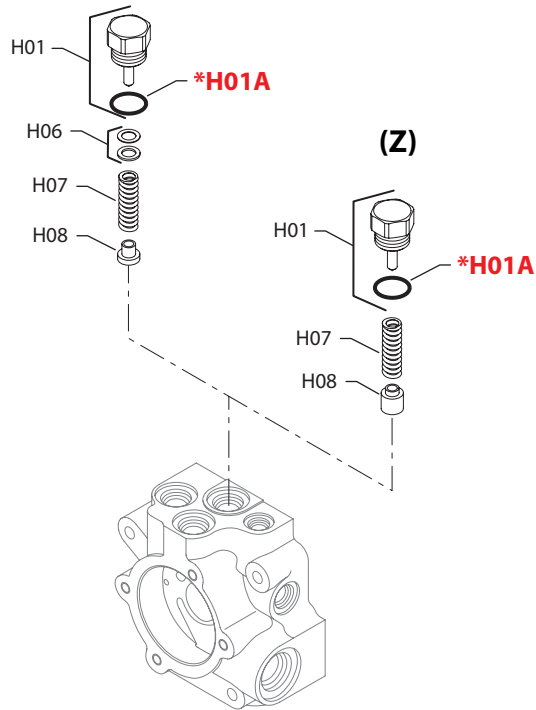
Charge pressure relief valve/setting

2	H01	01-05		4800308	Plug assembly/20 bar [290 psi]	1
	H01A	01-05		001149 (9004201-6200)	O-ring	1
	H06	01-05		4510027	Shim kit	1
	H07	01-05		4800176	Spring	1
	H08	01-05		4800134	Poppet	1
4	H01	02-09		4800308	Plug assembly/10.3 bar [150 psi]	1
	H01A	02-09		001149 (9004201-6200)	O-ring	1
	H06	02-09		4510027	Shim kit	1
	H07	02-09		4800149	Spring	1
	H08	02-09		4800134	Poppet	1
A	H01	95-45		4800308	Plug assembly/16 bar [230 psi]	1
	H01A	95-45		001149 (9004201-6200)	O-ring	1
	H06	95-45		4510027	Shim kit	1
	H07	95-45		4800176	Spring	1
	H08	95-45		4800134	Poppet	1



Variable displacement tandem pump

(C, E, F, G, H, J, M & R)



* = included in overhaul seal kit Q210

E100 553E

Enlarged **bold** type item numbers are recommended part to stock for servicing.

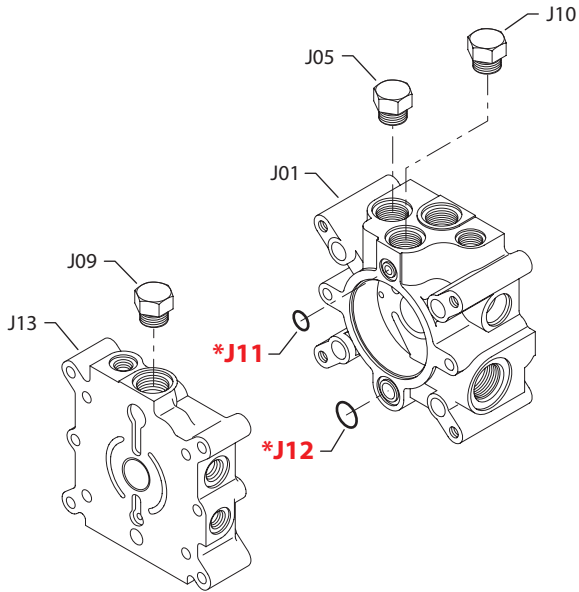

Variable displacement tandem pump
Charge pressure relief valve/setting

Order Code	Item	Date Begin	Date End	Part Number	Part Name	Qty. per Model/Kit
all	H01A	95-45		001149 (9004201-6200)	O-ring	1
C	H01	95-45		4800308	Plug assembly	1
	H06	01-48		4510027	Shim kit, 18 bar [260 psi]	1
	H07	01-48		4800176	Spring	1
	H08	01-48		4800134	Poppet	1
E	H01	95-45		4800308	Plug assembly	1
	H06	95-45		4510027	Shim kit, 11 bar [160 psi]	1
	H07	95-45		4800176	Spring	1
	H08	95-45		4800134	Poppet	1
F	H01	95-45		4800308	Plug assembly	1
	H06	95-45		4510027	Shim kit, 11 bar [160 psi]	1
	H07	95-45		4800714	Spring	1
	H08	95-45		4800134	Poppet	1
G	H01	95-45		4800308	Plug assembly	1
	H06	95-45		4510027	Shim kit, 7.5 bar [110 psi]	1
	H07	95-45		4800176	Spring	1
	H08	95-45		4800134	Poppet	1
H	H01	95-45		4800308	Plug assembly	1
	H06	95-45		4510027	Shim kit, 24 bar [348 psi]	1
	H07	95-45		11022448	Spring	1
	H08	95-45		4800134	Poppet	1
J	H01	95-45		4800308	Plug assembly	1
	H06	97-13		4510027	Shim kit, 22 bar [315 psi]	1
	H07	97-13		4800176	Spring	1
	H08	97-13		4800134	Poppet	1
M	H01	95-45		4800308	Plug assembly	1
	H06	98-25		4510027	Shim kit, 28.3 bar [410 psi]	1
	H07	98-25		11022448	Spring	1
	H08	98-25		4800134	Poppet	1
R	H01	95-45		4800308	Plug assembly	1
	H06	98-40		4510027	Shim kit, 6.2 bar [90 psi]	1
	H07	98-40		4800714	Spring	1
	H08	98-40		4800134	Poppet	1
Z	H01	95-45		4800308	Plug assembly	1
	H07	98-40		4800176	Spring, 6.2 bar [90 psi]	1
	H08	98-40		4800445	Poppet, orificed - .003	1

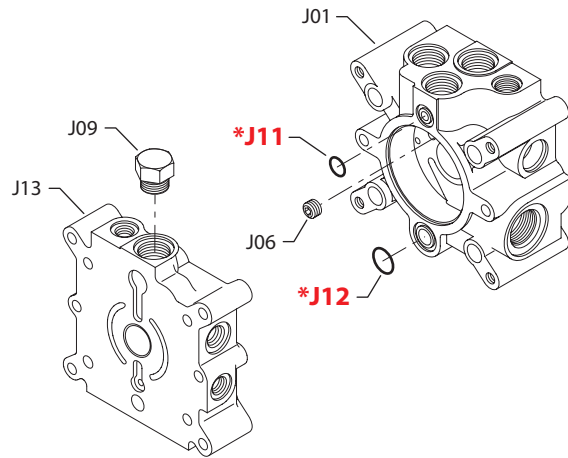


Variable displacement tandem pump

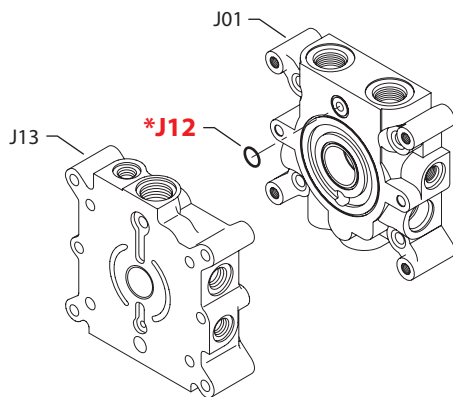
(AA & BD)



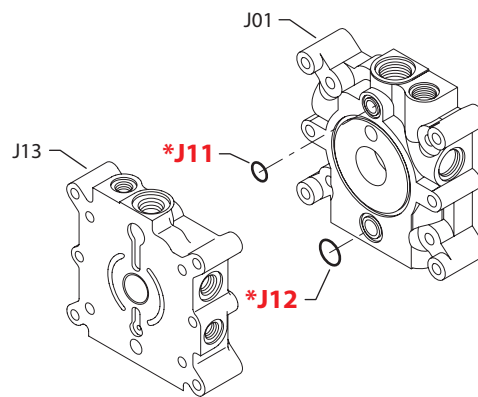
(BA)



(BE)



(NN)



E100 590E

* = included in overhaul seal kit Q210

Enlarged **bold** type item numbers are recommended part to stock for servicing.

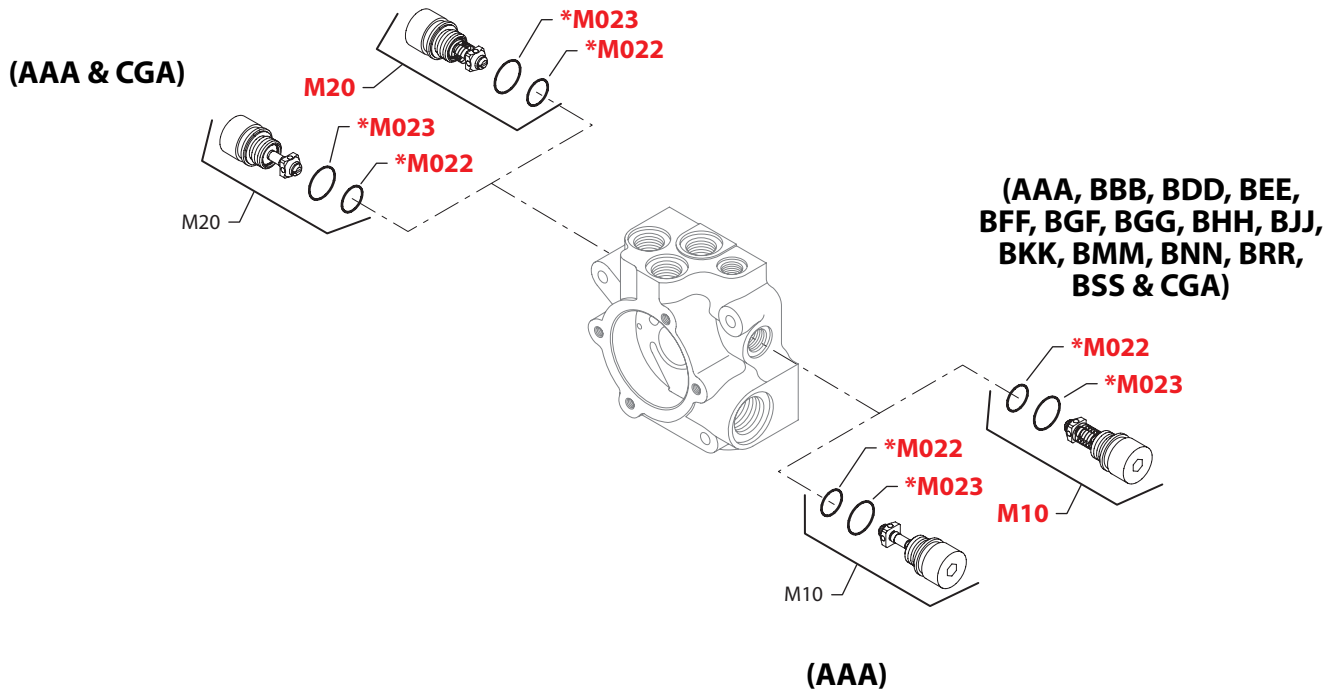

Variable displacement tandem pump
Filtration

Order Code	Item	Date Begin	Date End	Part Number	Part Name	Qty. per Model/Kit
AA	J01	95-45		11089077	End cap (SB-2010-037)	1
	J05	95-45		001537 (9005100-8700)	Plug assembly	1
	J09	95-45		001537 (9005100-8700)	Plug assembly	1
	J10	95-45		001537 (9005100-8700)	Plug assembly	1
	J11	95-45		9004100-1140	O-ring	1
	J12	95-45		9004100-1180	O-ring	1
	J13	95-45		4350405	End cap	1
	BA	J01	95-45		11089077	End cap (SB-2010-037)
J06		95-45		001487 (9005001-2500)	Pipe plug	1
J09		95-45		001537 (9005100-8700)	Plug assembly	1
J11		95-45		9004100-1140	O-ring	1
J12		95-45		9004100-1180	O-ring	1
J13		95-45		4350405	End cap	1
BD		J01	01-22		4350713	End cap
	J05	01-22		001537 (9005100-8700)	Plug assembly	1
	J09	01-22		001537 (9005100-8700)	Plug assembly	1
	J10	01-22		001537 (9005100-8700)	Plug assembly	1
	J11	01-22		9004100-1140	O-ring	1
	J12	01-22		9004100-1180	O-ring	1
	J13	01-22		4350405	End cap	1
	BE	J01	03-05		11083594	End cap, opposing ports (SB-2010-037)
J12		03-05		511852 (9004100-1140)	O-ring	1
J13		03-05		4440222	End cap, opposing ports	1
NN	J01	95-45		11083596	End cap (SB-2010-037)	1
	J11	95-45		9004100-1140	O-ring	1
	J12	95-45		9004100-1180	O-ring	1
	J13	95-45		4350405	End cap	1



Variable displacement tandem pump

(AAA, BBB, BDD, BEE, BFF,
BGF, BGG, BHH, BJJ, BKK,
BMM, BNN, BRR & BSS)



* = included in overhaul seal kit Q210

E100 550E

Enlarged **bold** type item numbers are recommended part to stock for servicing.


Variable displacement tandem pump
System pressure protection

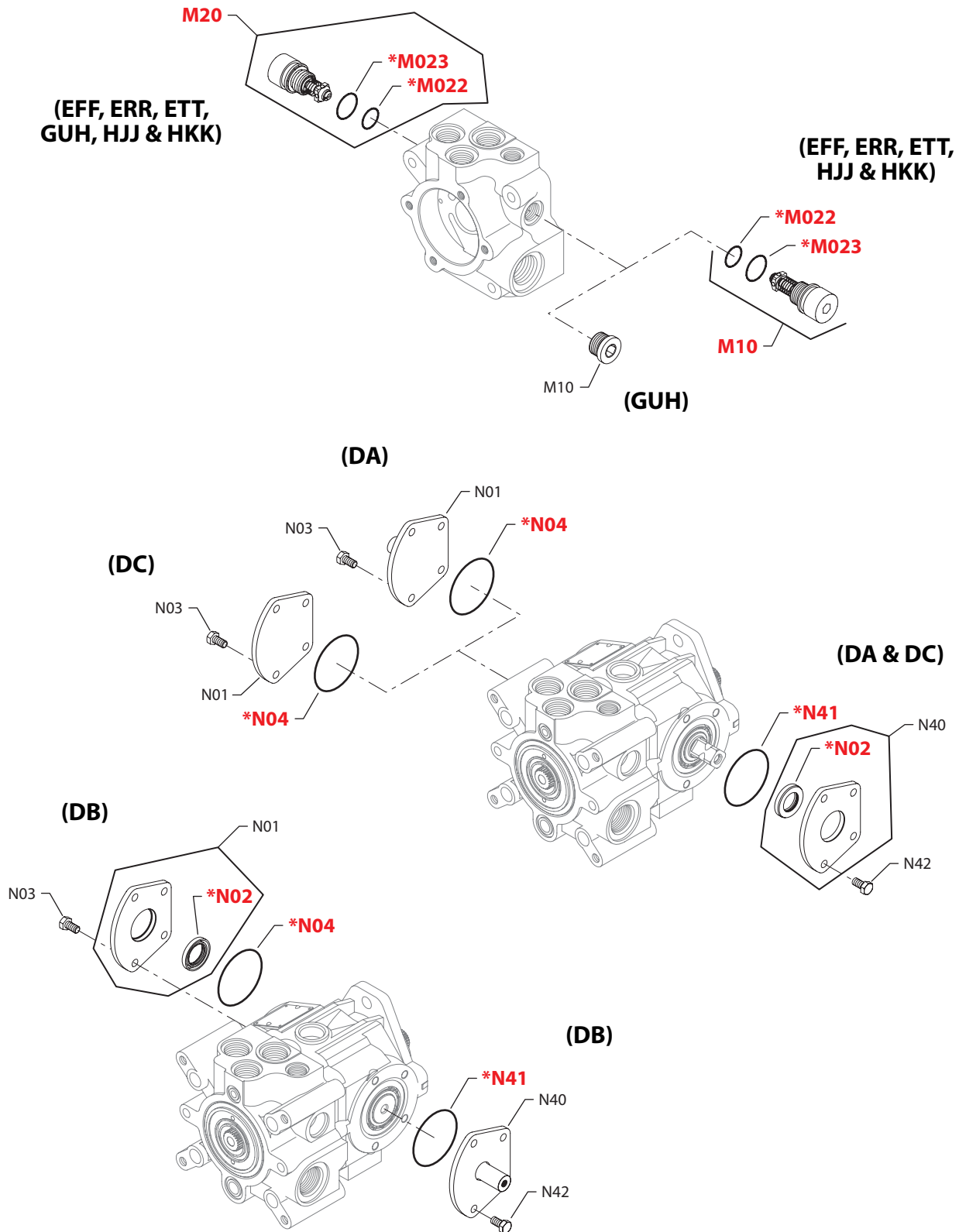
Order Code	Item	Date Begin	Date End	Part Number	Part Name	Qty. per Model/Kit
	M022	95-45		001131 (9004201-5000)	O-ring	2
	M023	95-45		9004100-2110	O-ring	2

System pressure protection

AAA	M10	95-45		4350634	Check valve poppet assembly (SB-1996-014)	1
	M20	95-45		4350634	Check valve poppet assembly (SB-1996-014)	1
BBB	M10	95-45		4350643	SCR valve assembly, 175 bar [2528 psi] (SB-1996-014)	1
	M20	95-45		4350643	SCR valve assembly, 175 bar [2528 psi] (SB-1996-014)	1
BDD	M10	95-45		4350641	SCR valve assembly, 210 bar [3045 psi] (SB-1996-014)	1
	M20	95-45		4350641	SCR valve assembly, 210 bar [3045 psi] (SB-1996-014)	1
BEE	M10	95-45		4350640	SCR valve assembly, 230 bar [3335 psi] (SB-1996-014)	1
	M20	95-45		4350640	SCR valve assembly, 230 bar [3335 psi] (SB-1996-014)	1
BFF	M10	95-45		4350639	SCR valve assembly, 250 bar [3625 psi] (SB-1996-014)	1
	M20	95-45		4350639	SCR valve assembly, 250 bar [3625psi] (SB-1996-014)	1
BGF	M10	96-28		4350638	SCR valve assembly, 280 bar [4060 psi]	1
	M20	96-28		4350639	SCR valve assembly, 250 bar [3625 psi]	1
BGG	M10	95-45		4350638	SCR valve assembly, 280 bar [4060 psi] (SB-1996-014)	1
	M20	95-45		4350638	SCR valve assembly, 280 bar [4060 psi] (SB-1996-014)	1
BHH	M10	95-45		4350637	SCR valve assembly, 300 bar [4350 psi] (SB-1996-014)	1
	M20	95-45		4350637	SCR valve assembly, 300 bar [4350 psi] (SB-1996-014)	1
BJJ	M10	95-45		4350636	SCR valve assembly, 345 bar [5000 psi] (SB-1996-014)	1
	M20	95-45		4350636	SCR valve assembly, 345 bar [5000 psi] (SB-1996-014)	1
BKK	M10	01-02		4440239	SCR valve assembly, 360 bar [5220 psi]	1
	M20	01-02		4440239	SCR valve assembly, 360 bar [5220 psi]	1
BMM	M10	95-45		4350635	SCR valve assembly, 140 bar [2030 psi] (SB-1996-014)	1
	M20	95-45		4350635	SCR valve assembly, 140 bar [2030 psi] (SB-1996-014)	1
BNN	M10	95-45		4350644	SCR valve assembly, 260 bar [3770 psi] (SB-1996-014)	1
	M20	95-45		4350644	SCR valve assembly, 260 bar [3770 psi] (SB-1996-014)	1
BRR	M10	96-38		4350645	SCR valve assembly, 325 bar [4712 psi]	1
	M20	96-38		4350645	SCR valve assembly, 325 bar [4712 psi]	1
BSS	M10	95-45		4350694	SCR valve assembly, 385 bar [5580 psi]	1
	M20	95-45		4350694	SCR valve assembly, 385 bar [5580 psi]	1
CGA	M10	03-05		4350638	SCR valve assembly, 280 bar [4060 psi]	1
	M20	03-05		4350634	Check valve poppet assembly	1



Variable displacement tandem pump



* = included in overhaul seal kit Q210

E103 495E

Enlarged **bold** type item numbers are recommended part to stock for servicing.


Variable displacement tandem pump
System pressure protection

Order Code	Item	Date Begin	Date End	Part Number	Part Name	Qty. per Model/Kit
	M022	95-45		001131 (9004201-5000)	O-ring	2
	M023	95-45		9004100-2110	O-ring	2

System pressure protection

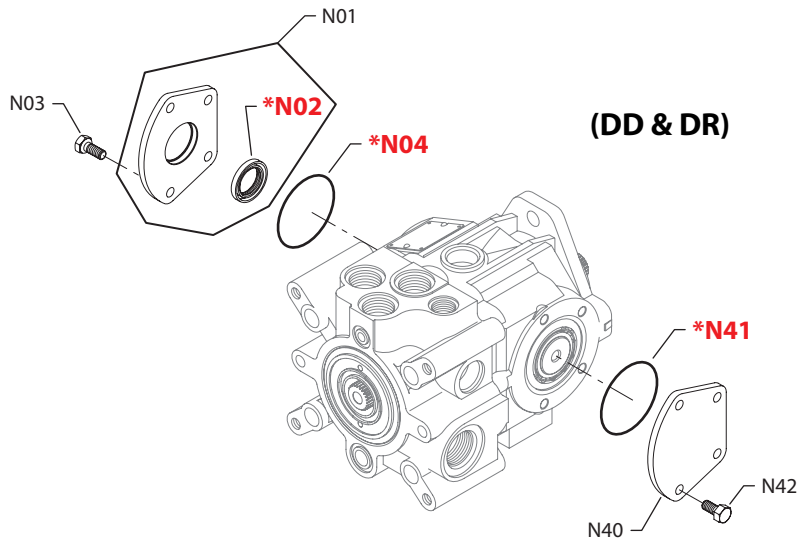
EFF	M10	98-47		4250139	SCR valve assembly, 250 bar [3625 psi]	1
	M20	98-47		4250139	SCR valve assembly, 250 bar [3625 psi]	1
ERR	M10	98-31		4350673	SCR valve assembly, 325 bar [4712 psi]	1
	M20	98-31		4350673	SCR valve assembly, 325 bar [4712 psi]	1
ETT	M10	98-31		4350723	SCR valve assembly, 345 bar [5000 psi]	1
	M20	98-31		4350723	SCR valve assembly, 345 bar [5000 psi]	1
GUH	M10	98-31		9005110-7500	Plug assembly	1
	M20	98-31		4350637	SCR valve assembly, 300 bar [4350 psi]	1
HJJ	M10	98-31	16-22	4440376	SCR valve assembly, 345 bar [5000 psi]	1
	M20	98-31	16-22	4440376	SCR valve assembly, 345 bar [5000 psi]	1
HKK	M10	98-31	16-22	11041730	SCR valve assembly, 360 bar [5220 psi]	1
	M20	98-31	16-22	11041730	SCR valve assembly, 360 bar [5220 psi]	1

Direct displacement control, front pump

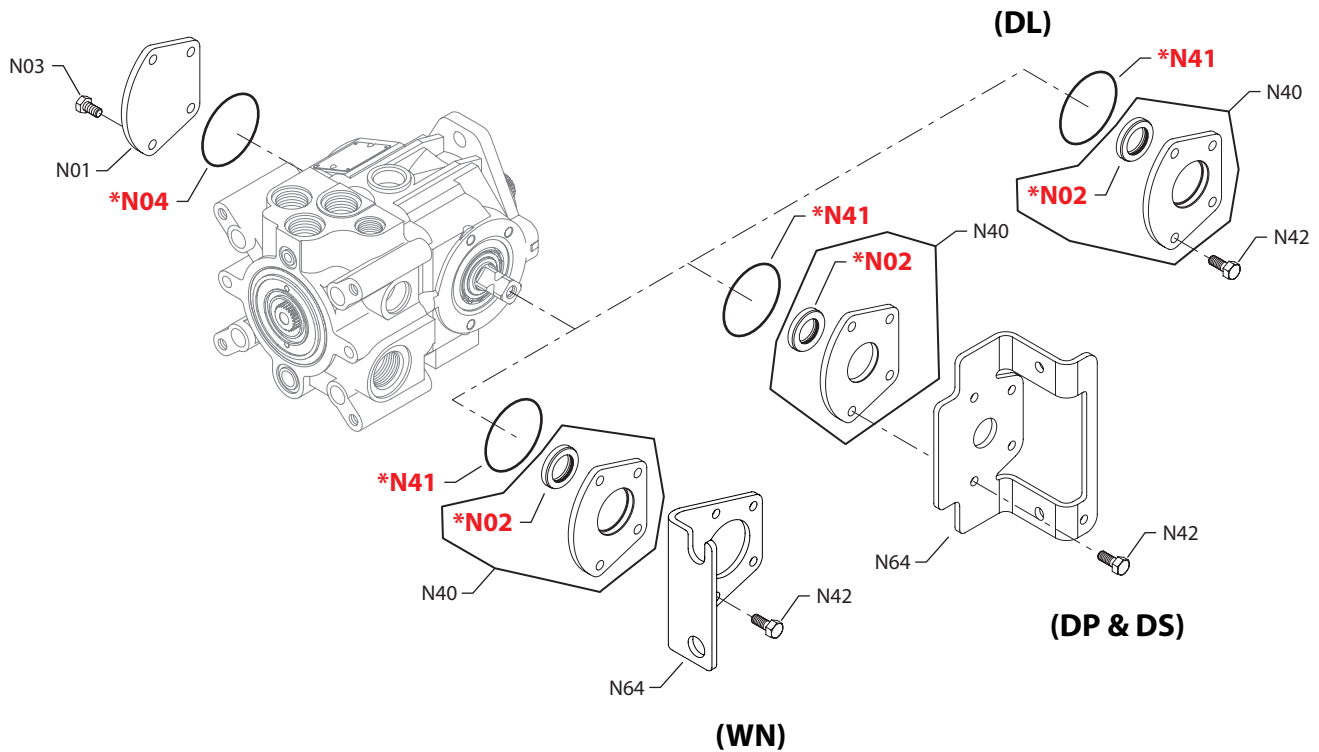
DA	N01	03-07		1732161-01	Trunnion cover w/support	1
	N02	03-07		5000604	Trunnion lip seal	1
	N03	03-07		378083 (9007210-0804)	Screw, M8 x 16	4
	N04	03-07		9004300-1460	O-ring	1
	N40	03-07		4350732	Trunnion cover assembly, on left side	1
	N41	03-07		9004300-1460	O-ring	1
	N42	03-07		378083 (9007210-0804)	Screw, M8 x 16	4
	DB	N01	03-07		4350732	Trunnion cover assembly, on right side
N02		03-07		5000604	Trunnion lip seal	1
N03		03-07		378083 (9007210-0804)	Screw, M8 x 16	4
N04		03-07		9004300-1460	O-ring	1
N40		03-07		1732161-01	Trunnion cover w/support	1
N41		03-07		9004300-1460	O-ring	1
N42		03-07		378083 (9007210-0804)	Screw, M8 x 16	4
DC		N01	03-07		4250027	Trunnion cover
	N02	03-07		5000752	Trunnion lip seal	1
	N03	03-07		378083 (9007210-0804)	Screw, M8 x 16	4
	N04	03-07		5000756	O-ring	1
	N40	03-07		4440416	1 1/4 Trunnion cover assembly, on left side	1
	N41	03-07		5000756	O-ring	1
	N42	03-07		507205	Screw, M8 x 20	4



Variable displacement tandem pump



(DL, DP, DS & WN)



E103 496E

* = included in overhaul seal kit Q210

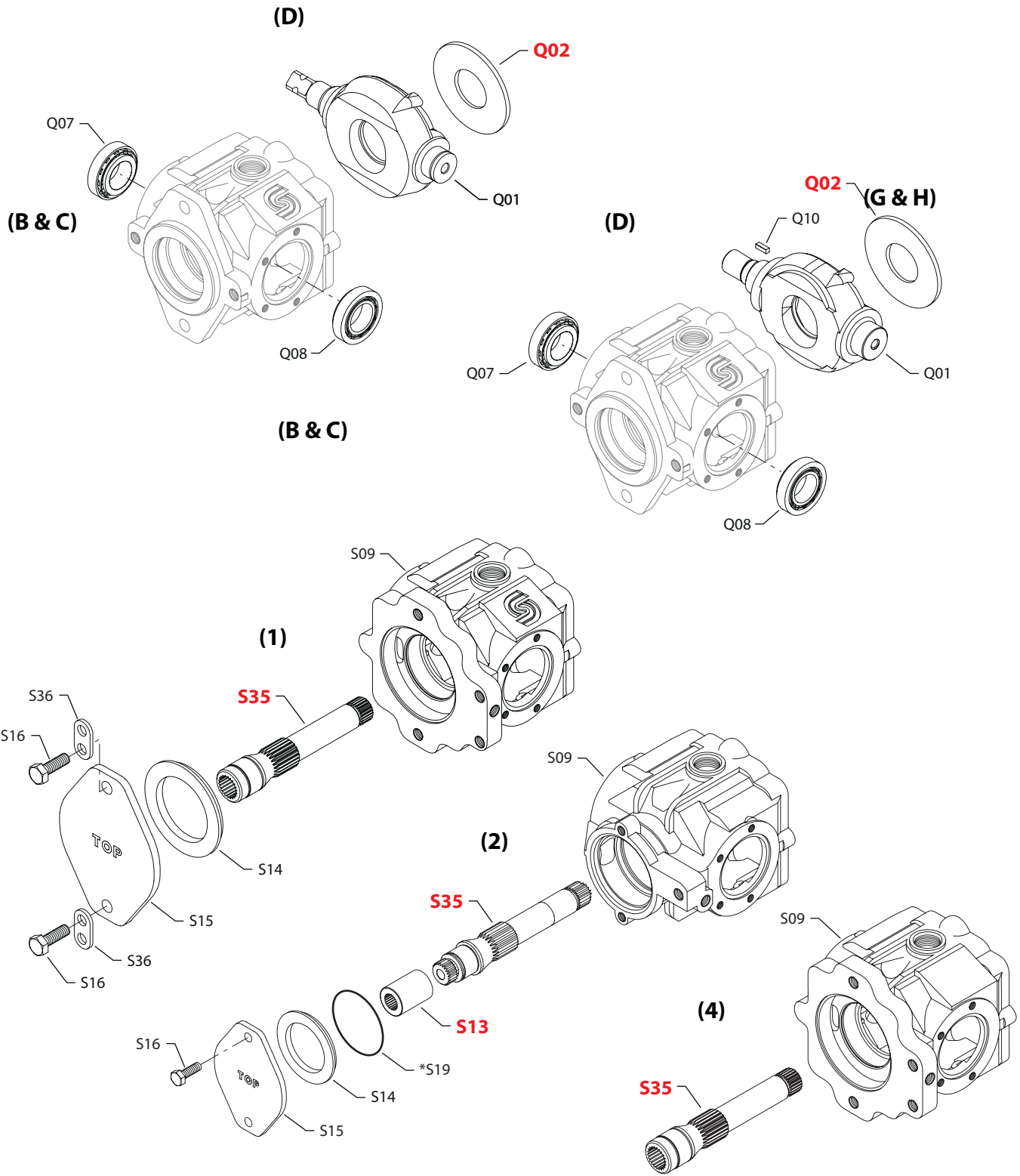
Enlarged **bold** type item numbers are recommended part to stock for servicing.


Variable displacement tandem pump
Direct displacement control, front pump

Order Code	Item	Date Begin	Date End	Part Number	Part Name	Qty. per Model/Kit
DD	N01	05-39		4440416	1 1/4 Trunnion cover assembly, on left side	1
	N02	05-39		5000752	Trunnion lip seal	1
	N03	05-39		507205	Screw, M8 x 20	4
	N04	05-39		5000756	O-ring	1
	N40	05-39		4250027	Trunnion cover	1
	N41	05-39		5000756	O-ring	1
	N42	05-39		378083 (9007210-0804)	Screw, M8 x 16	4
	DL	N01	95-45		4250027	Trunnion cover
N02		95-45		5000604	Trunnion lip seal (SB-2000-026)	1
N03		95-45		378083 (9007210-0804)	Screw, M8 x 16	4
N04		95-45		9004300-1460	O-ring	1
N40		95-45		4350732	Trunnion cover assembly, on left side (SB-1999-040)	1
N41		95-45		9004300-1460	O-ring	1
N42		95-45		378083 (9007210-0804)	Screw, M8 x 16	4
DP		N01	95-45		4250027	Trunnion cover
	N02	95-45		5000604	Trunnion lip seal (SB-2000-026)	1
	N03	95-45		378083 (9007210-0804)	Screw, M8 x 16	4
	N04	95-45		9004300-1460	O-ring	1
	N40	95-45		4350732	Trunnion cover assembly, on left side (SB-1999-040)	1
	N41	95-45		9004300-1460	O-ring	1
	N42	95-45		507205	Screw, M8 x 20	4
	N64	95-45		4440413	Guide bracket	1
DR	N01	95-45		4350732	Trunnion cover assembly, on right side (SB-1999-040)	1
	N02	95-45		5000604	Trunnion lip seal (SB-2000-026)	1
	N03	95-45		378083 (9007210-0804)	Screw, M8 x 16	4
	N04	95-45		9004300-1460	O-ring	1
	N40	95-45		4250027	Trunnion cover	1
	N41	95-45		9004300-1460	O-ring	1
	N42	95-45		378083 (9007210-0804)	Screw, M8 x 16	4
	DS	N01	96-07		4250027	Trunnion cover
N02		96-07		5000604	Trunnion lip seal	1
N03		96-07		378083 (9007210-0804)	Screw, M8 x 16	4
N04		96-07		9004300-1460	O-ring	1
N40		96-07		4350732	Trunnion cover assembly, on left side	1
N41		96-07		9004300-1460	O-ring	1
N42		96-07		507205	Screw, M8 x 20	4
N64		96-07		4440413	Front guide bracket	1
WN	N01	96-07		4250027	Trunnion cover	1
	N02	96-07		5000604	Trunnion lip seal	1
	N03	96-07		378083 (9007210-0804)	Screw, M8 x 16	4
	N04	96-07		9004300-1460	O-ring	1
	N40	96-07		4350732	Trunnion cover assembly, on left side	1
	N41	96-07		9004300-1460	O-ring	1
	N42	96-07		507205	Screw, M8 x 20	4
	N64	96-07		11171922	Guide bracket	1



Variable displacement tandem pump



E100 563E

* = included in overhaul seal kit Q210

Enlarged **bold** type item numbers are recommended part to stock for servicing.


Variable displacement tandem pump
Swashplate

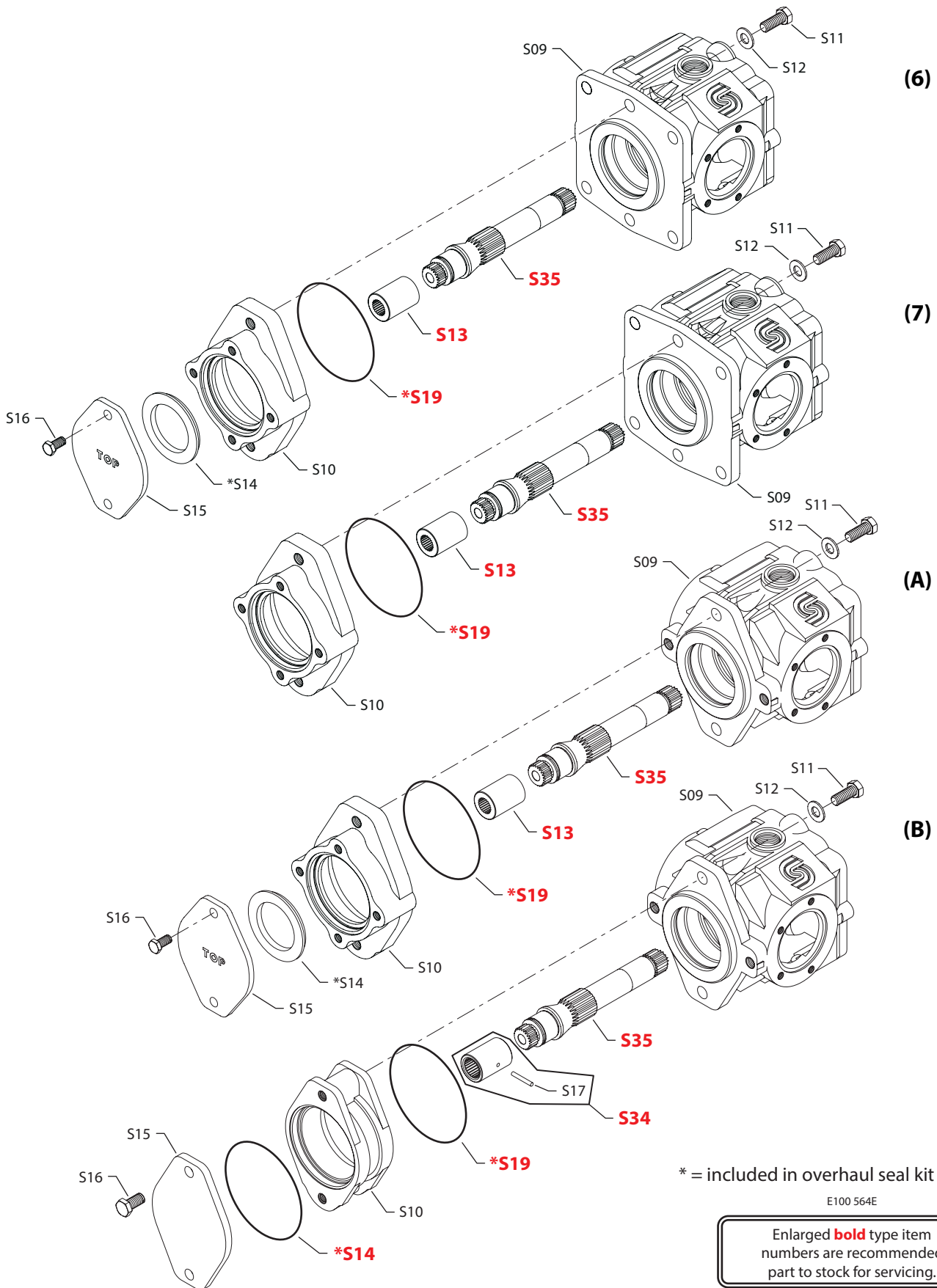
Order Code	Item	Date Begin	Date End	Part Number	Part Name	Qty. per Model/Kit
B	Q01	95-45		11166719	Swashplate, tapped	1
	Q02	95-45		4350148	Thrust plate	1
	Q07	95-45		4800470	Bearing kit	1
	Q08	95-45		4800470	Bearing kit	1
E	Q01	02-32		4440275	Swashplate	1
	Q02	02-32		4350148	Thrust plate	1
	Q07	02-32		4800470	Bearing kit	1
	Q08	02-32		4800470	Bearing kit	1
G	Q01	03-07		4350823	Swashplate, 24 mm diameter keyed, 14.6°	1
	Q02	03-07		4350148	Thrust plate	1
	Q07	03-07		4800470	Bearing kit	1
	Q08	03-07		4800470	Bearing kit	1
	Q10	03-07		1040275	Key	1
H	Q01	03-07		4350822	Swashplate, 24 mm diameter keyed, 16°	1
	Q02	03-07		4350148	Thrust plate	1
	Q07	03-07		4800470	Bearing kit	1
	Q08	03-07		4800470	Bearing kit	1
	Q10	03-07		1040275	Key	1
J	Q01	03-26		11166719	Swashplate, tapped	1
	Q02	03-26		4350148	Thrust plate	1
	Q07	03-26		4800470	Bearing kit	1
	Q08	03-26		4800470	Bearing kit	1

Auxiliary mounting flange

1	S09	01-20		4440421	Housing	1
	S14	01-20		8801061	B pad seal	1
	S15	01-20		8801059	Cover plate	1
	S16	01-20		9007200-5022	Screw	2
	S35	01-20		4440194	Shaft, rear	1
	S36	01-20		9801000	Lifting bracket	2
	2	S09	04-22		4350382	Housing
S13		04-22		4350189	Coupling, 9-tooth spline	1
S14		04-22		4800482	A pad seal	1
S15		04-22		4460586	Cover plate	1
S16		04-22		9007200-3716	Screw	2
S19		04-22		5000373	O-ring	1
S35		04-22		4350426	Shaft, rear	1
4	S09	02-38		4440421	Housing	1
	S35	02-38		4440194	Shaft, rear	1



Variable displacement tandem pump



* = included in overhaul seal kit Q210

E100 564E

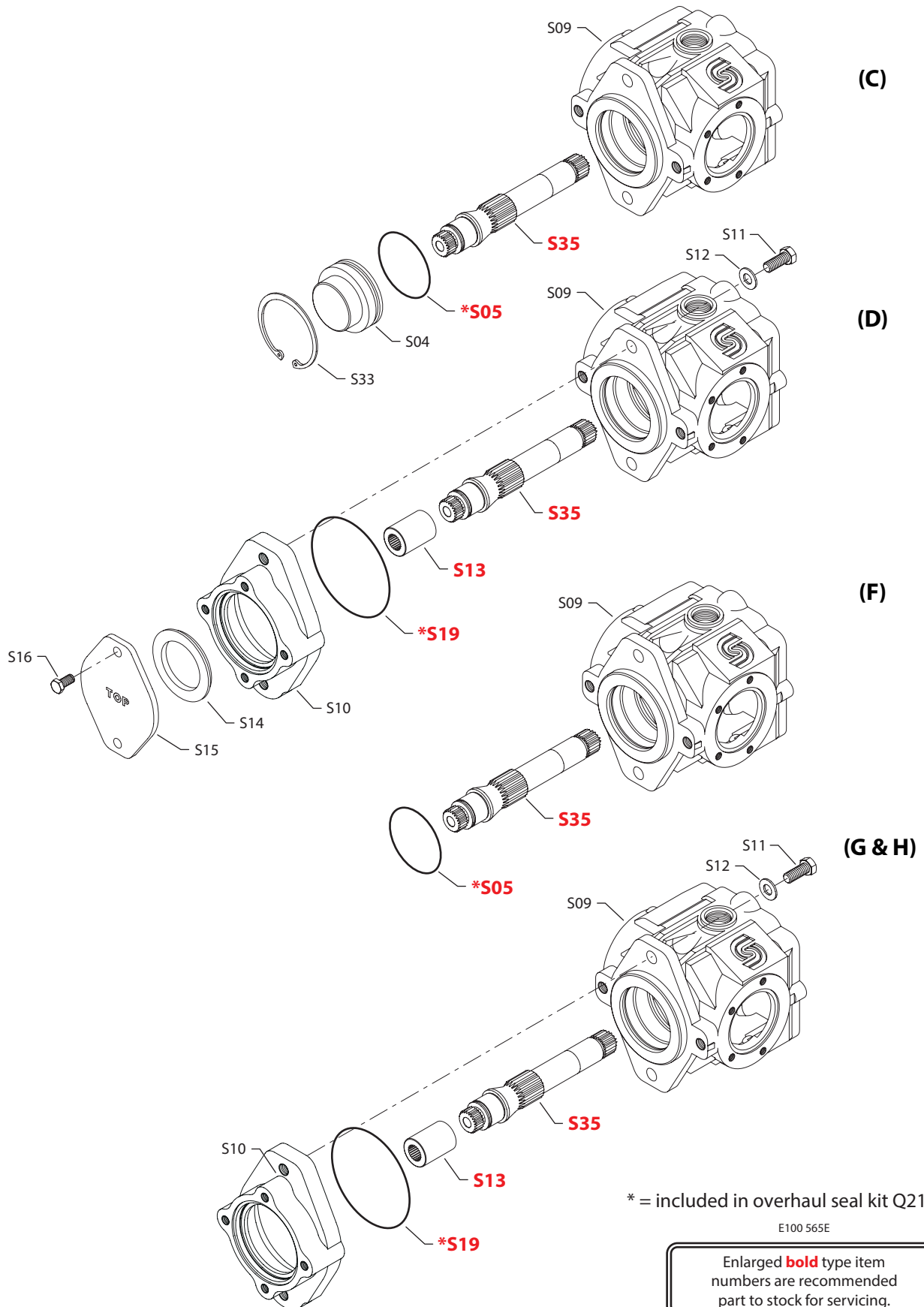
Enlarged **bold** type item numbers are recommended part to stock for servicing.


Variable displacement tandem pump
Auxiliary mounting flange

Order Code	Item	Date Begin	Date End	Part Number	Part Name	Qty. per Model/Kit
6	S09	03-18		4350824	Housing	1
	S10	95-45		4800161	A flange adapter	1
	S11	95-45		9007200-5022	Screw	2
	S12	95-45		9009600-5391	Washer	2
	S13	95-45		4350113	Coupling, 9-tooth spline	1
	S14	95-45		4800482	A pad seal (5000373)	1
	S15	95-45		4460586	Cover plate	1
	S16	95-45		9007200-3716	Screw	2
	S19	95-45		9004100-1550	O-ring	1
	S35	95-45		4350426	Shaft, rear	1
7	S09	04-50		4350824	Housing	1
	S10	95-45		4800161	A flange adapter	1
	S11	95-45		9007200-5022	Screw	2
	S12	95-45		9009600-5391	Washer	2
	S13	95-45		4350113	Coupling, 9-tooth spline	1
	S19	95-45		9004100-1550	O-ring	1
	S35	95-45		4350426	Shaft, rear	1
A	S09	95-45		4350350	Housing	1
	S10	95-45		4800161	A flange adapter	1
	S11	95-45		9007200-5022	Screw	2
	S12	95-45		9009600-5391	Washer	2
	S13	95-45		4350113	Coupling, 9-tooth spline	1
	S14	95-45		4800482	A pad seal (5000373)	1
	S15	95-45		4460586	Cover plate	1
	S16	95-45		9007200-3716	Screw	2
	S19	95-45		9004100-1550	O-ring	1
	S35	95-45		4350426	Shaft, rear	1
B	S09	95-45		4350350	Housing	1
	S10	95-45		4800162	B flange adapter	1
	S11	95-45		9007200-5022	Screw, with locking compound	2
	S12	95-45		9009600-5391	Washer	2
	S14	05-22		8801061	B pad seal (9004100-1550)	1
	S14	95-45	05-21	9004100-1550	O-ring	1
	S15	05-22		8801059	Cover plate	1
	S15	95-45	05-21	4460370	Cover plate	1
	S16	95-45		9007200-5022	Screw, with locking compound	2
	S17	95-45		9004700-1222	Pin	1
	S19	95-45		9004100-1550	O-ring	1
	S34	95-45		4350691	Coupling assembly, 13-tooth spline	1
	S35	95-45		4350426	Shaft, rear	1



Variable displacement tandem pump

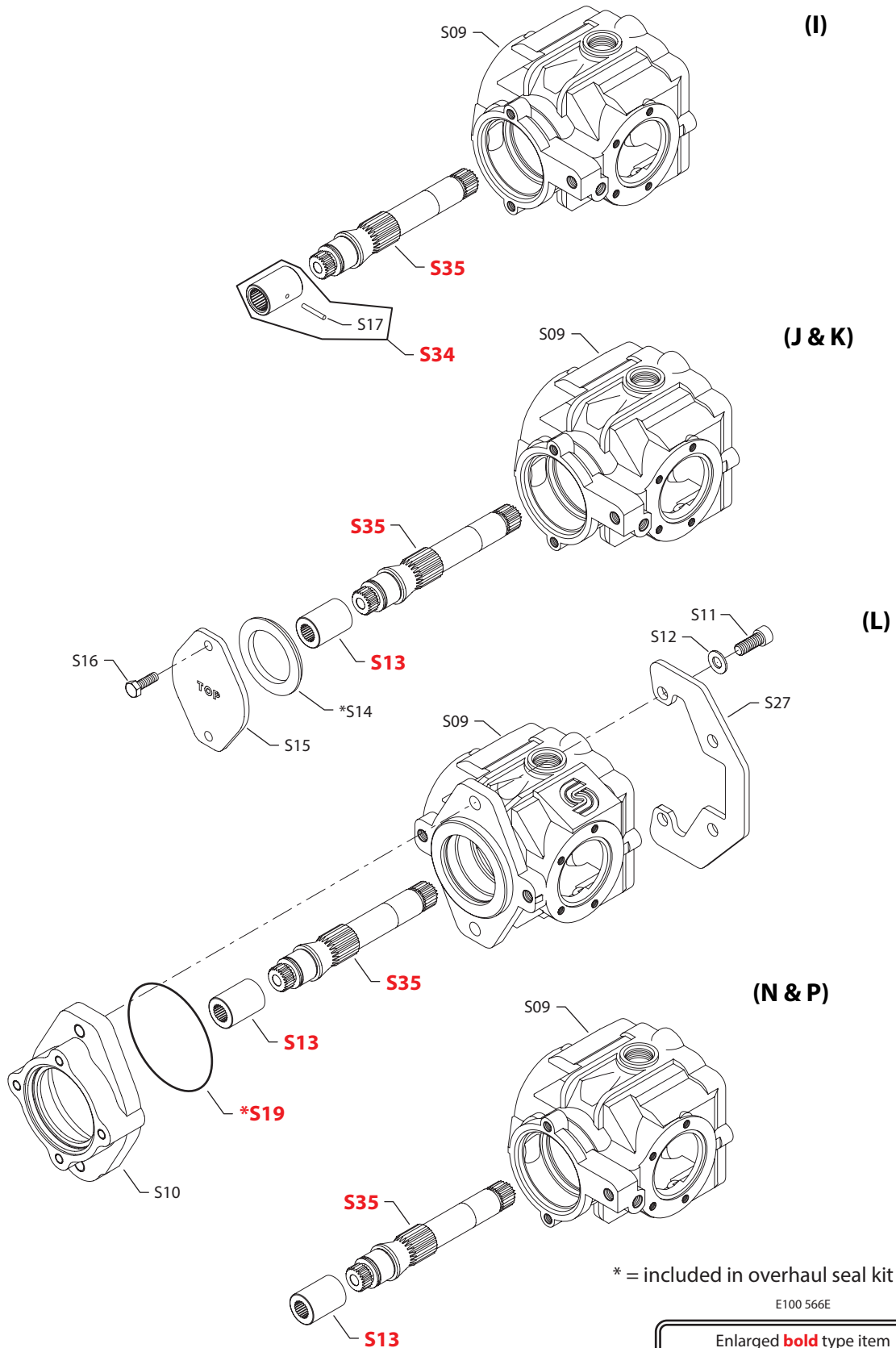



Variable displacement tandem pump
Auxiliary mounting flange

Order Code	Item	Date Begin	Date End	Part Number	Part Name	Qty. per Model/Kit
C	S04	95-45		4350689	Cover plate	1
	S05	95-45		9004100-1460	O-ring	1
	S09	95-45		4350350	Housing	1
	S33	95-45		9006200-0281	Retaining ring	1
	S35	95-45		4350426	Shaft, rear	1
D	S09	95-45		4350350	Housing	1
	S10	95-45		4800183	A flange adapter	1
	S11	95-45		9007200-5022	Screw, with locking compound	2
	S12	95-45		9009600-5391	Washer	2
	S13	95-45		4350189	Coupling, 11-tooth spline	1
	S14	95-45		4800482	A pad seal	1
	S15	95-45		4460586	Cover plate	1
	S16	95-45		9007200-3716	Screw	2
	S19	95-45		9004100-1550	O-ring	1
	S35	95-45		4350426	Shaft, rear	1
	F	S09	96-03		4350350	Housing
S19		96-03		9004100-0440	O-ring	1
S35		96-03		4350426	Shaft, rear	1
G	S09	97-06		4350350	Housing	1
	S10	97-06		4800183	A flange adapter	1
	S11	97-06		9007200-5022	Screw	2
	S12	97-06		9009600-5391	Washer	2
	S13	97-06		4350189	Coupling, 11-tooth spline	1
	S19	97-06		9004100-1550	O-ring	1
	S35	97-06		4350426	Shaft, rear	1
	H	S09	97-06		4350350	Housing
S10		97-06		4800161	A flange adapter	1
S11		97-06		9007200-5022	Screw, with locking compound	2
S12		97-06		9009600-5391	Washer	2
S13		97-06		4350113	Coupling, 9-tooth spline	1
S19		97-06		9004100-1550	O-ring	1
S35		97-06		4350426	Shaft, rear	1



Variable displacement tandem pump



* = included in overhaul seal kit Q210

E100 566E

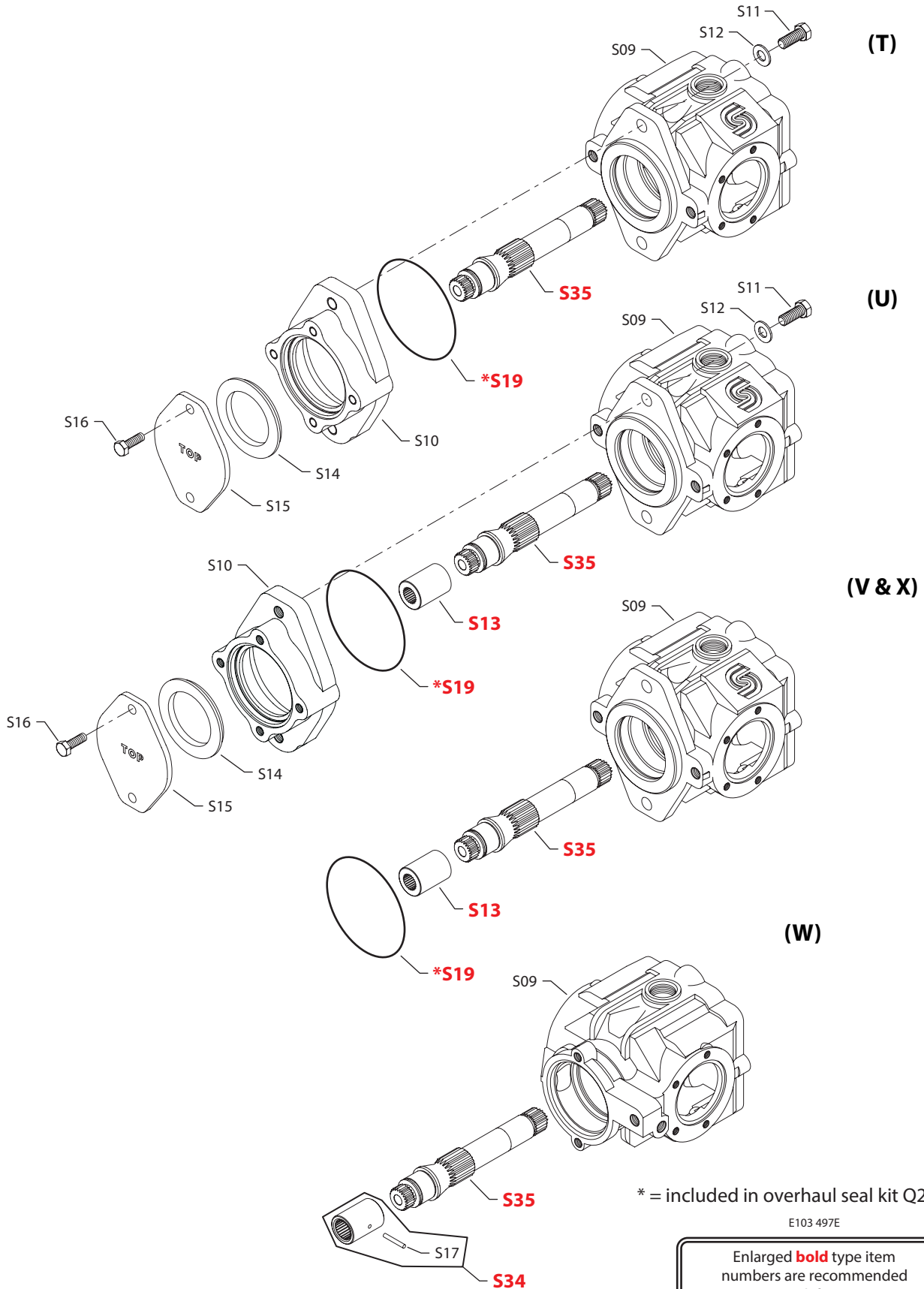
Enlarged **bold** type item numbers are recommended part to stock for servicing.


Variable displacement tandem pump
Auxiliary mounting flange

Order Code	Item	Date Begin	Date End	Part Number	Part Name	Qty. per Model/Kit
I	S09	08-45		4350382	Housing	1
	S14	08-45		4800482	A pad seal	1
	S15	08-45		4460586	Cover plate	1
	S16	08-45		9007200-3716	Screw	2
	S17	08-45		9004700-1222	Pin	1
	S34	08-45		4350691	Coupling assembly, 13-tooth spline	1
	S35	08-45		4350426	Shaft, rear	1
	J	S09	96-22		4350382	Housing
S13		96-22		4350113	Coupling, 9-tooth spline	1
S14		96-22		4800482	A pad seal	1
S15		96-22		4460586	Cover plate	1
S16		96-22		9007200-3716	Screw	2
S35		96-22		4350426	Shaft, rear	1
K		S09	96-22		4350382	Housing
	S13	96-22		4350189	Coupling, 11-tooth spline	1
	S14	96-22		4800482	A pad seal	1
	S15	96-22		4460586	Cover plate	1
	S16	96-22		9007200-3716	Screw	2
	S35	96-22		4350426	Shaft, rear	1
	L	S09	97-13		4350350	Housing
S10		97-13		4800183	A flange adapter	1
S11		97-13		9007300-5024	Screw	2
S12		97-13		9009600-5391	Washer	2
S13		97-13		762534 (4350189)	Coupling, 11-tooth spline	1
S19		97-13		9004100-1550	O-ring	1
S27		97-13		6713377	Mounting bracket	1
S35		97-13		4350426	Shaft, rear	1
N		S09	95-45		4350382	Housing
	S13	95-45		4350113	Coupling, 9-tooth spline	1
	S35	95-45		4350426	Shaft, rear	1
P	S09	95-45		4350382	Housing	1
	S13	95-45		4350189	Coupling, 11-tooth spline	1
	S35	95-45		4350426	Shaft, rear	1



Variable displacement tandem pump

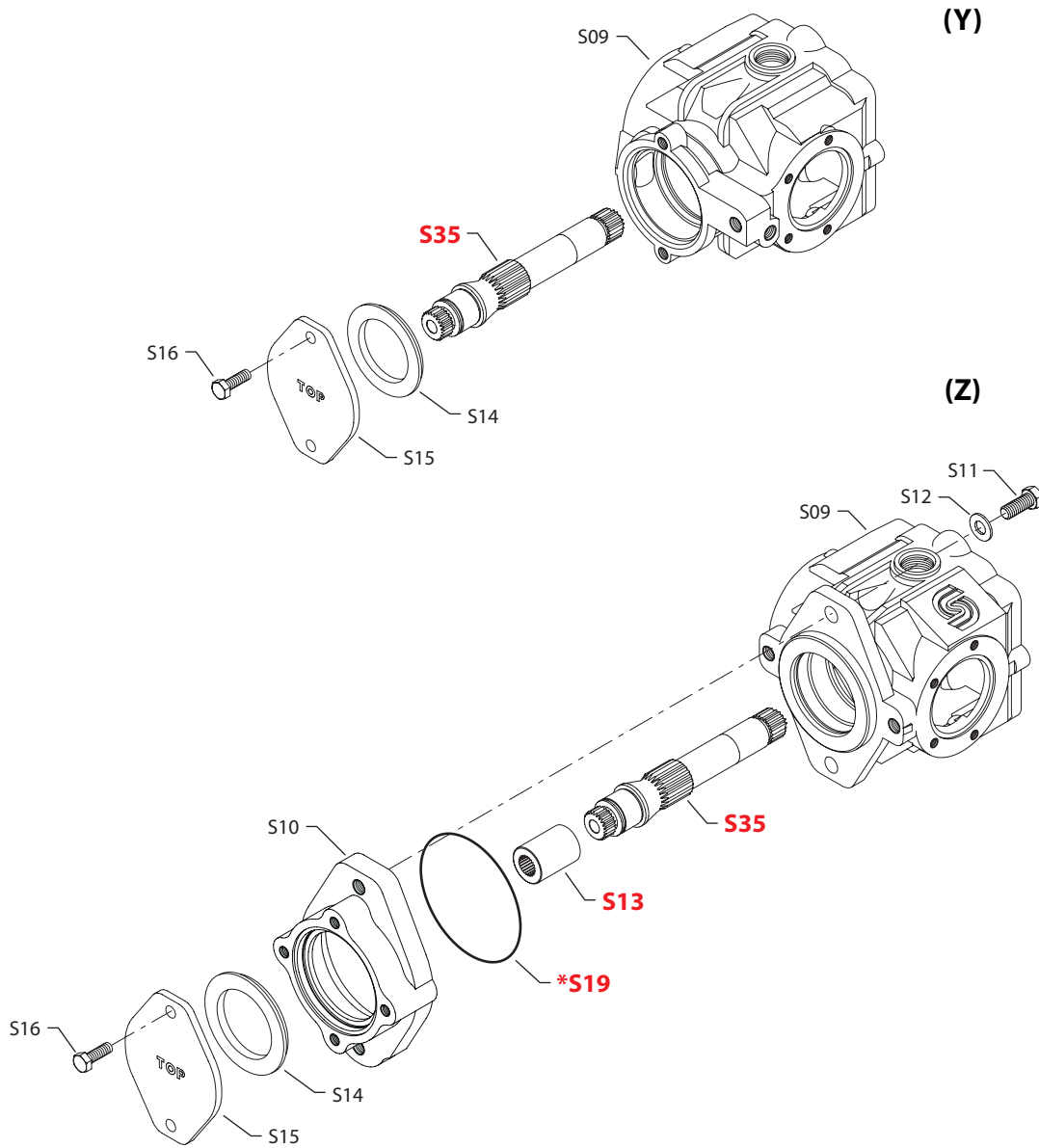



Variable displacement tandem pump
Auxiliary mounting flange

Order Code	Item	Date Begin	Date End	Part Number	Part Name	Qty. per Model/Kit
T	S09	98-25		4350350	Housing	1
	S10	98-25		4800183	A flange adapter	1
	S11	98-25		9007200-5022	Screw	2
	S12	98-25		9009600-5391	Washer	2
	S14	98-25		4800482	A pad seal	1
	S15	98-25		4460586	Cover plate	1
	S16	98-25		9007200-3716	Screw	2
	S19	98-25		9004100-1550	O-ring	1
	S35	98-25		4350426	Shaft, rear	1
	U	S09	08-45		4350350	Housing
S10		08-45		4800183	A flange adapter	1
S11		08-45		9007200-5022	Screw	2
S12		08-45		9009600-5391	Washer	2
S13		99-13		4440108	Coupling, 11-tooth spline, 2.05 long	1
S14		08-45		4800482	A pad seal	1
S15		08-45		4460586	Cover plate	1
S16		08-45		9007200-3716	Screw	2
S19		08-45		9004100-1550	O-ring	1
S35		08-45		4350426	Shaft, rear	1
V	S09	99-13		4350350	Housing	1
	S13	99-13		4440108	Coupling, 11-tooth spline, 2.05 long	1
	S19	99-13		9004100-0440	O-ring	1
	S35	99-13		4350426	Shaft, rear	1
W	S09	99-47		4350382	Housing	1
	S17	99-47		509149 (9004700-1222)	Pin	1
	S34	99-47		4350691	Coupling assembly, 13 tooth	1
	S35	99-47		4350426	Shaft, rear	1
X	S09	99-24		4350350	Housing	1
	S13	99-24		4440007	Coupling, 13-tooth spline, 2.23 long	1
	S19	99-24		9004100-0440	O-ring	1
	S35	99-24		4350426	Shaft, rear	1



Variable displacement tandem pump



* = included in overhaul seal kit Q210

E103 498E
 Enlarged **bold** type item numbers are recommended part to stock for servicing.



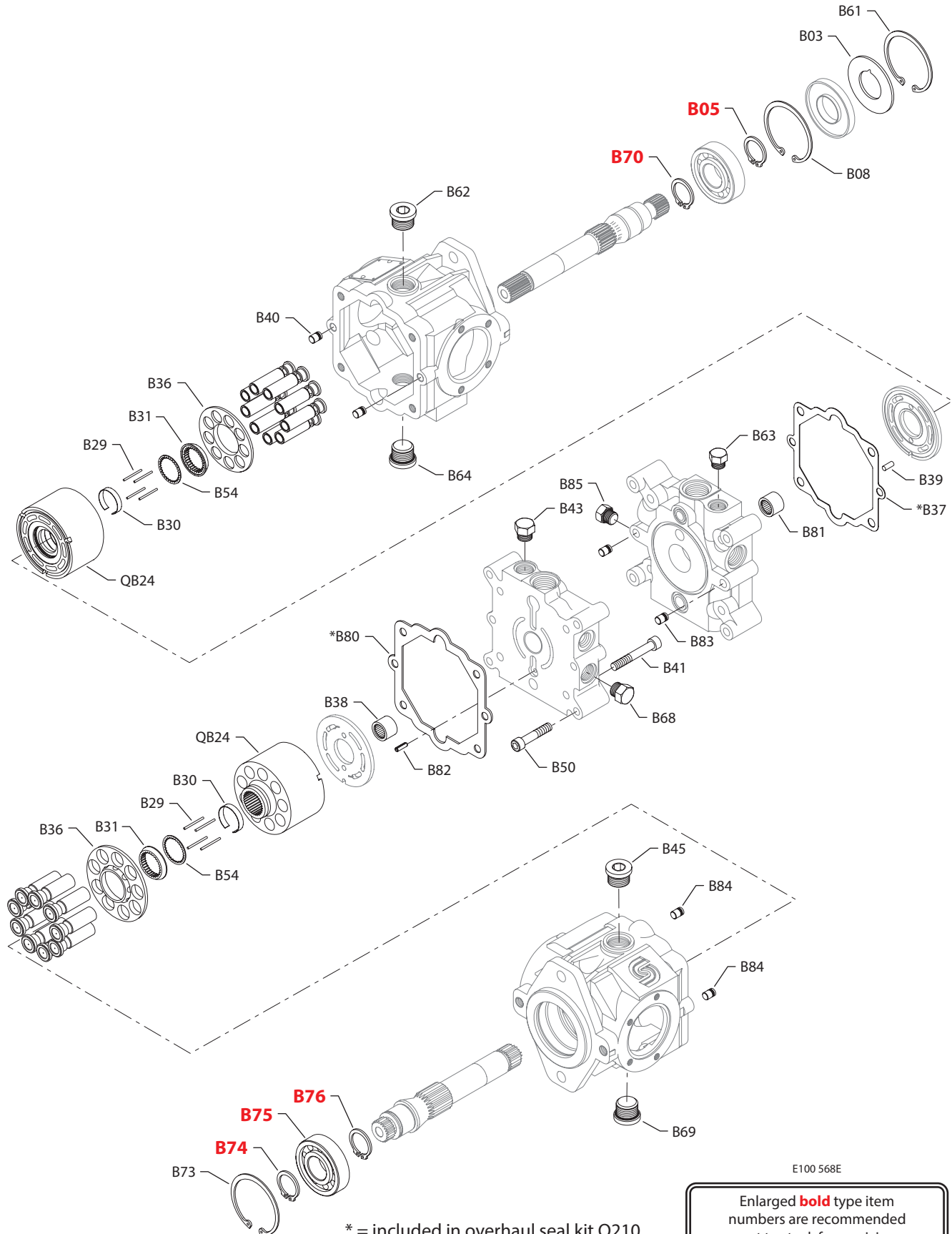
Variable displacement tandem pump

Auxiliary mounting flange

Order Code	Item	Date Begin	Date End	Part Number	Part Name	Qty. per Model/Kit
Y	S09	02-42		4350382	Housing	1
	S14	02-42		4800482	A pad seal	1
	S15	02-42		4460586	Cover plate	1
	S16	02-42		9007200-3716	Screw	2
	S35	02-42		4350426	Shaft, rear	1
	Z	S09	08-45		4350350	Housing
S10		08-45		4800183	A flange adapter	1
S11		08-45		9007200-5022	Screw	2
S12		08-45		9009600-5391	Washer	2
S13		99-13		4440007	Coupling, 13-tooth spline, 2.23 long	1
S14		08-45		4800482	A pad seal	1
S15		08-45		4460586	Cover plate	1
S16		08-45		9007200-3716	Screw	2
S19		08-45		9004100-1550	O-ring	1
S35		08-45		4350426	Shaft, rear	1



Variable displacement tandem pump



E100 568E

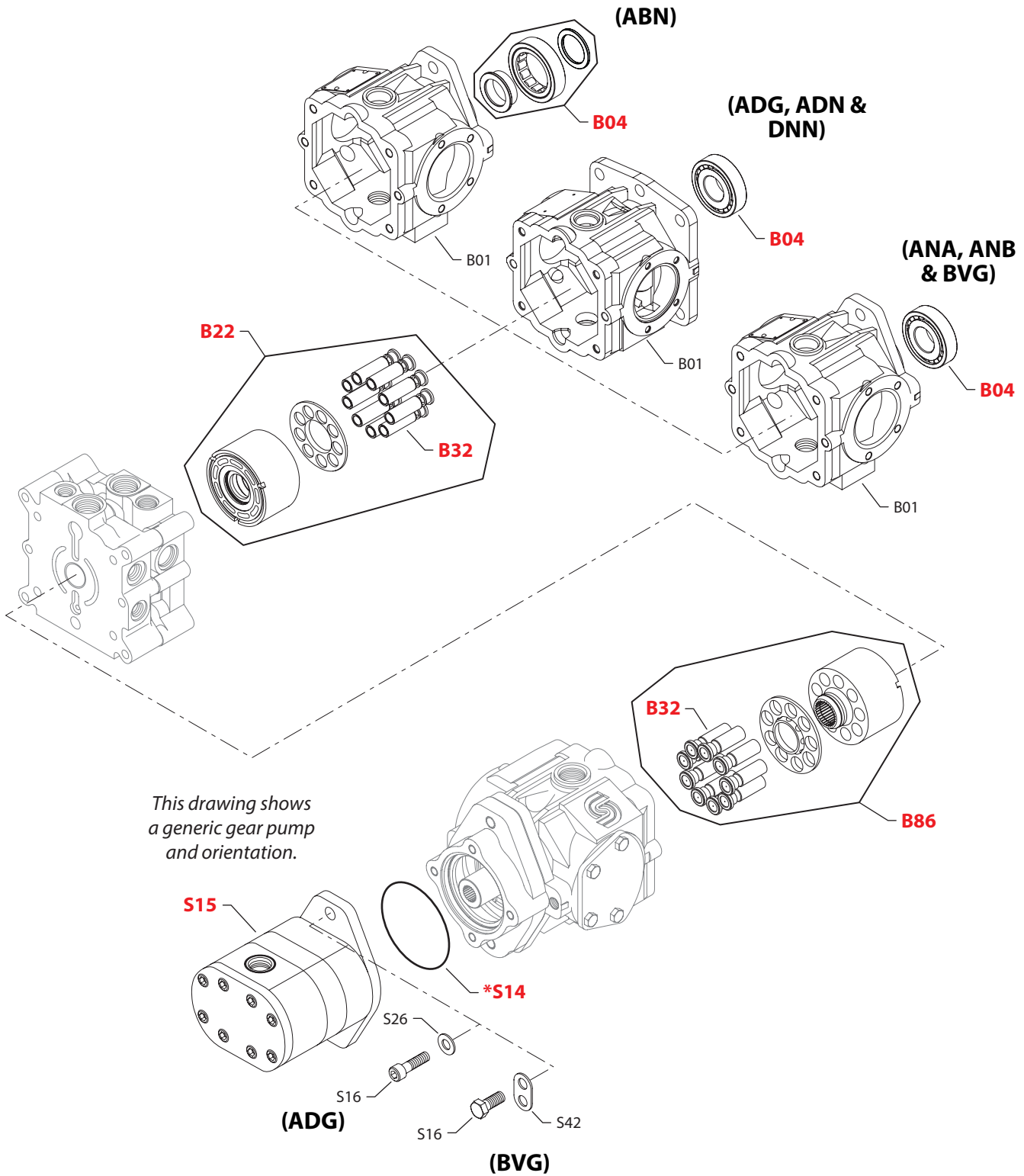
Enlarged **bold** type item numbers are recommended part to stock for servicing.


Variable displacement tandem pump
Common parts

Order Code	Item	Date Begin	Date End	Part Number	Part Name	Qty. per Model/Kit
	B03	95-45		11083729	Seal support washer	1
	B05	95-45		9006300-0137	Retaining ring	1
	B08	95-45		9006200-0281	Retaining ring	1
	B29	95-45		9004875-0109	Holddown pin	8
	B30	95-45		4350048	Holddown pin retainer	2
	B31	95-45		4350186	Slipper retainer guide	2
	B36	95-45		4350185	Slipper retainer	2
	B37	95-45		4350145	End cap gasket	1
	B38	95-45		510993 (9001465-0015)	Needle bearing	1
	B39	95-45		015701 (9004700-1910)	Slotted pin	1
	B40	95-45		5000529	Dowel pin (SB-1998-092)	2
	B41	95-45		654053 (9007314-1012)	Screw	4
	B43	95-45		046151 (9005100-5600)	Plug assembly	1
	B45	95-45		664524 (9005110-9000)	Plug assembly	1
	B50	11-14		5000122	Screw, M10 x 70 (SB-2010-037)	4
	B50	95-45	11-13	9007314-1014	Screw, M10 x 65	4
	B54	95-45		4350187	Thrust washer	2
	B61	95-45		9006200-0281	Retaining ring	1
	B62	95-45		664524 (9005110-9000)	Plug assembly	1
	B63	95-45		046151 (9005100-5600)	Plug assembly	1
	B64	95-45		664524 (9005110-9000)	Plug assembly	1
	B68	95-45		046151 (9005100-5600)	Plug assembly	1
	B69	95-45		664524 (9005110-9000)	Plug assembly	1
	B70	95-45		615245 (9006300-0137)	Retaining ring	1
	B73	95-45		9006200-0281	Retaining ring	1
	B74	95-45		615245 (9006300-0137)	Retaining ring	1
	B75	95-45		5000731	Ball bearing	1
	B76	95-45		615245 (9006300-0137)	Retaining ring	1
	B80	95-45		4350145	End cap gasket	1
	B81	95-45		510993 (9001465-0015)	Needle bearing	1
	B82	95-45		015701 (9004700-1910)	Slotted pin	1
	B83	95-45		5000529	Dowel pin (SB-1998-092)	2
	B84	95-45		5000529	Dowel pin (SB-1998-092)	2
	B85	95-45		046151 (9005100-5600)	Plug assembly	1
	QB24	95-45		11131906	Cylinder block assembly	1



Variable displacement tandem pump



This drawing shows a generic gear pump and orientation.

* = included in overhaul seal kit Q210

E100 567E

Enlarged **bold** type item numbers are recommended part to stock for servicing.


Variable displacement tandem pump
Special hardware

Order Code	Item	Date Begin	Date End	Part Number	Part Name	Qty. per Model/Kit
ABN	B01	07-09		4350350	Housing, front pump	1
	B04	07-09		357616	Roller bearing	1
	B22	07-09		4440114	Cylinder block kit	1
	B32	07-09		4440113	Piston assembly, welded	18
	B86	07-09		4440114	Cylinder block kit	1
ADG	B01	07-09		4350824	Housing, front pump, 4-bolt mount	1
	B04	07-09		5000731	Ball bearing	1
	B22	07-09		4440120	Cylinder block kit	1
	B32	07-09		4440119	Piston assembly, semi-solid	18
	B86	07-09		4440120	Cylinder block kit	1
	S14	07-09		5000373	O-ring	1
	S15	07-09		111.20.138.00	Gear pump	1
	S16	07-09		9007300-3722	Screw	2
	S26	07-09		002329 (9009610-4069)	Washer	2
ADN	B01	15-16		4350824	Housing, front pump, 4-bolt mount	1
	B04	15-16		5000731	Ball bearing	1
	B22	15-16		4440120	Cylinder block kit	1
	B32	15-16		4440119	Piston assembly, semi-solid	18
	B86	15-16		4440120	Cylinder block kit	1
ANA	B01	99-22		4350350	Housing, front pump	1
	B04	99-22		5000731	Ball bearing	1
	B22	99-22		4440114	Cylinder block kit	1
	B32	99-22		4440113	Piston assembly, welded	18
	B86	99-22		4440114	Cylinder block kit	1
ANB	B01	00-10		4350350	Housing, front pump	1
	B04	00-10		5000731	Ball bearing	1
	B22	00-10		4440120	Cylinder block kit	1
	B32	00-10		4440119	Piston assembly, semi-solid	18
	B86	00-10		4440120	Cylinder block kit	1
BVG	B01	06-14		4350350	Housing, front pump	1
	B04	06-14		5000731	Ball bearing	1
	B22	06-14		4440114	Cylinder block kit	1
	B32	06-14		4440113	Piston assembly, welded	18
	B86	06-14		4440114	Cylinder block kit	1
	S14	06-14		9004100-1550	O-ring	1
	S15	06-14		163D1486	Gear pump	1
	S16	06-14		9007200-5022	Screw	2
	S42	06-14		9801000	Lifting bracket	2
DNN	B01	07-06		4350824	Housing, front pump, 4-bolt mount	1
	B04	07-06		5000731	Ball bearing	1
	B22	07-06		4440004	Cylinder block kit	1
	B32	07-06		4440003	Piston assembly	18
	B86	07-06		4440004	Cylinder block kit	1

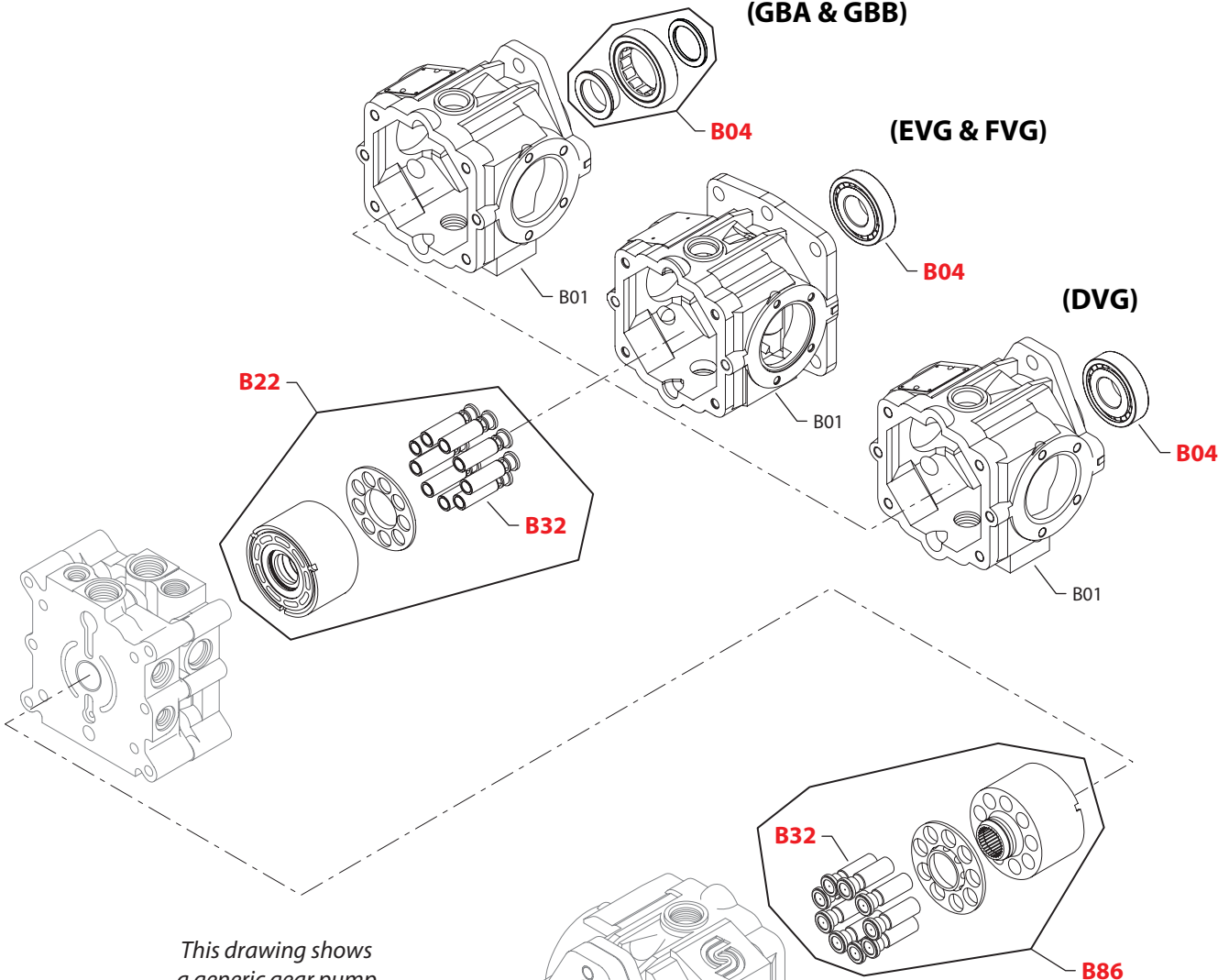


Variable displacement tandem pump

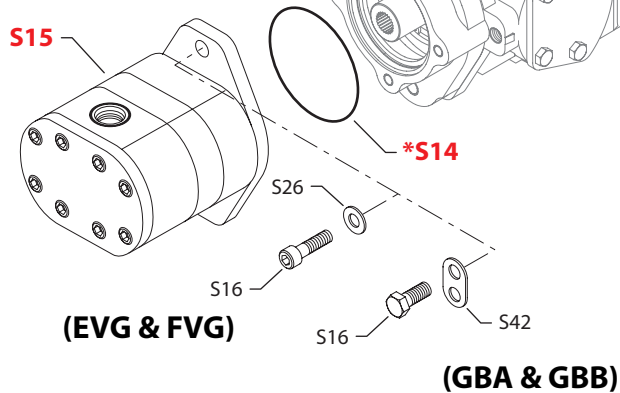
(GBA & GBB)

(EVG & FVG)

(DVG)



This drawing shows a generic gear pump and orientation.



* = included in overhaul seal kit Q210

Enlarged **bold** type item numbers are recommended part to stock for servicing.

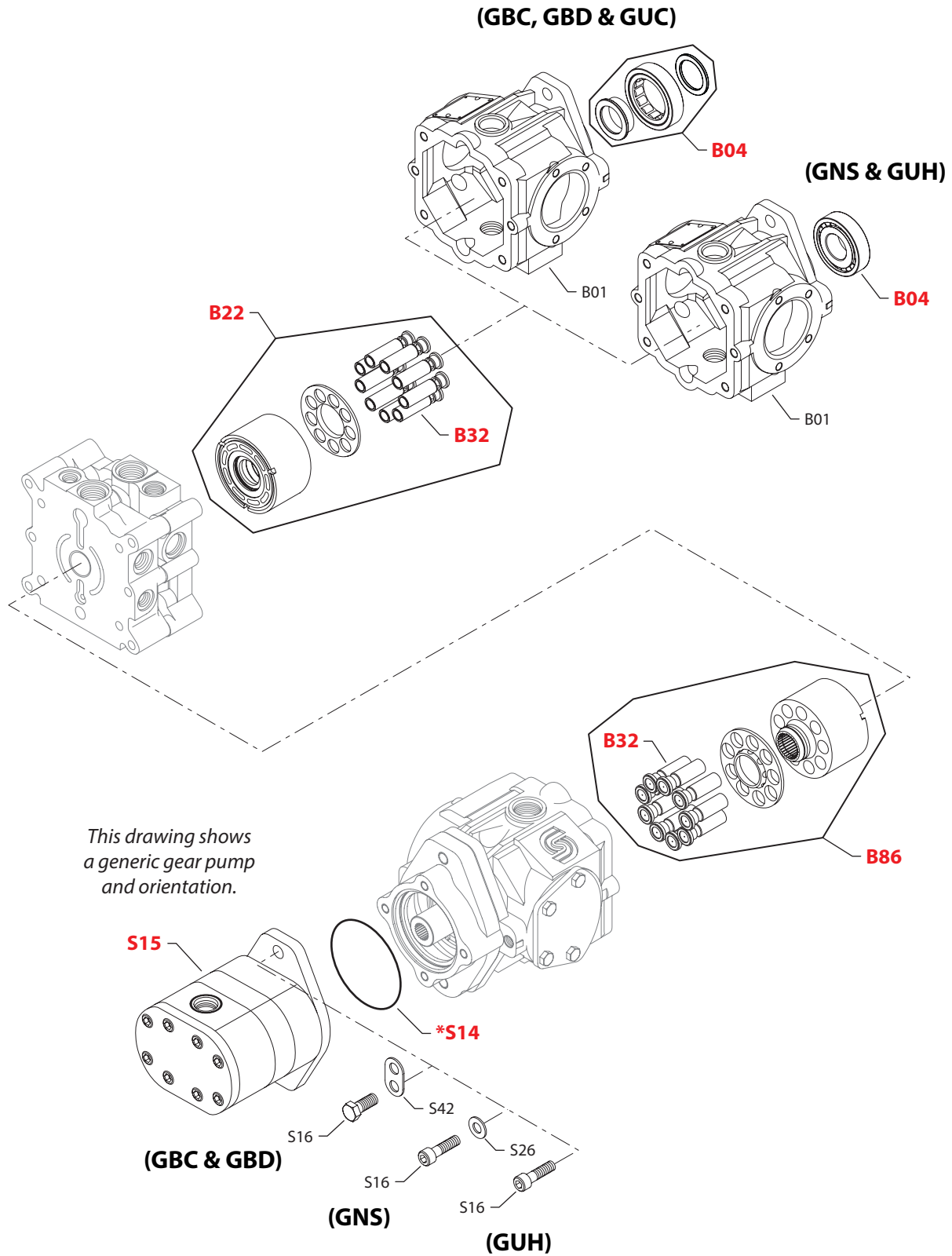
E100 567E


Variable displacement tandem pump
Special hardware

Order Code	Item	Date Begin	Date End	Part Number	Part Name	Qty. per Model/Kit
DVG	B01	06-10		4350350	Housing, front pump	1
	B04	06-10		5000731	Ball bearing	1
	B22	06-10		4440114	Cylinder block kit	1
	B32	06-10		4440113	Piston assembly, welded	18
	B86	06-10		4440114	Cylinder block kit	1
	S14	06-10		9004100-1550	O-ring	1
	S15	06-10		163D1485	Gear pump,	1
	S16	06-10		9007200-5022	Screw	2
	S42	06-10		9801000	Lifting bracket	2
EVG	B01	06-14		4350824	Housing, front pump, 4-bolt mount	1
	B04	06-14		5000731	Ball bearing	1
	B22	06-14		4440004	Cylinder block kit	1
	B32	06-14		4440003	Piston assembly	18
	B86	06-14		4440004	Cylinder block kit	1
	S14	06-14		5000373	O-ring	1
	S15	06-14		111.20.134.00	Gear pump	1
	S16	06-14		9007300-3722	Screw	2
	S26	06-14		002329 (9009610-4069)	Washer	2
FVG	B01	06-14		4350824	Housing, front pump, 4-bolt mount	1
	B04	06-14		5000731	Ball bearing	1
	B22	06-14		4440004	Cylinder block kit	1
	B32	06-14		4440003	Piston assembly	18
	B86	06-14		4440004	Cylinder block kit	1
	S14	06-14		5000373	O-ring	1
	S15	06-14		111.20.138.00	Gear pump	1
	S16	06-14		9007300-3722	Screw	2
	S26	06-14		002329 (9009610-4069)	Washer	2
GBA	B01	07-15		4350350	Housing, front pump	1
	B04	07-15		357616	Roller bearing	1
	B22	07-15		4440114	Cylinder block kit	1
	B32	07-15		4440113	Piston assembly, welded	18
	B86	07-15		4440114	Cylinder block kit	1
	S14	07-15		9004100-1550	O-ring	1
	S15	07-15		163D71018	Gear pump	1
	S16	07-15		9007200-5022	Screw	2
	S42	07-15		9801000	Lifting bracket	2
GBB	B01	07-15		4350350	Housing, front pump	1
	B04	07-15		357616	Roller bearing	1
	B22	07-15		4440114	Cylinder block kit	1
	B32	07-15		4440113	Piston assembly, welded	18
	B86	07-15		4440114	Cylinder block kit	1
	S14	07-15		9004100-1550	O-ring	1
	S15	07-15		80003921	Gear pump	1
	S16	07-15		9007200-5022	Screw	2
	S42	07-15		9801000	Lifting bracket	2



Variable displacement tandem pump



E103 499E

* = included in overhaul seal kit Q210

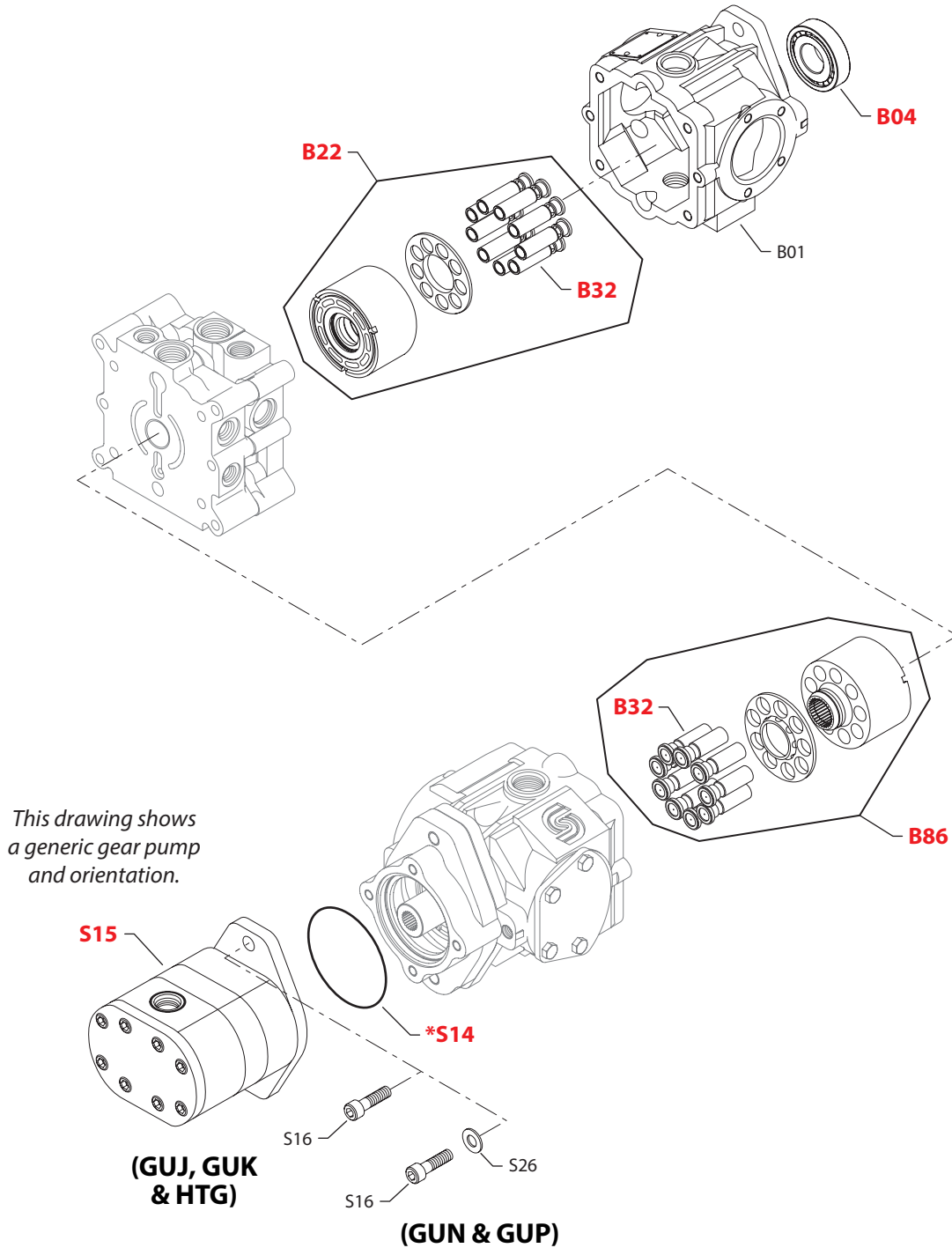
Enlarged **bold** type item numbers are recommended part to stock for servicing.


Variable displacement tandem pump
Special hardware

Order Code	Item	Date Begin	Date End	Part Number	Part Name	Qty. per Model/Kit
GBC	B01	07-17		4350350	Housing, front pump	1
	B04	07-17		357616	Roller bearing	1
	B22	07-17		4440114	Cylinder block kit	1
	B32	07-17		4440113	Piston assembly, welded	18
	B86	07-17		4440114	Cylinder block kit	1
	S14	07-17		9004100-1550	O-ring	1
	S15	07-17		163D71022	Gear pump	1
	S16	07-17		9007200-5022	Screw	2
	S42	07-17		9801000	Lifting bracket	2
GBD	B01	07-17		4350350	Housing, front pump	1
	B04	07-17		357616	Roller bearing	1
	B22	07-17		4440114	Cylinder block kit	1
	B32	07-17		4440113	Piston assembly, welded	18
	B86	07-17		4440114	Cylinder block kit	1
	S14	07-17		9004100-1550	O-ring	1
	S15	07-17		163D71023	Gear pump	1
	S16	07-17		9007200-5022	Screw	2
	S42	07-17		9801000	Lifting bracket	2
GNS	B01	01-09		4350350	Housing, front pump	1
	B04	01-09		5000731	Ball bearing	1
	B22	01-09		4440004	Cylinder block kit	1
	B32	01-09		4440003	Piston assembly	18
	B86	01-09		4440004	Cylinder block kit	1
	S14	01-09		5000373	O-ring	1
	S15	01-09		111.20.347.00	Gear pump	1
	S16	01-09		9007300-3722	Screw	2
	S26	01-09		002329 (9009610-4069)	Washer	2
GUC	B01	03-04		4350350	Housing, front pump	1
	B04	03-04		357616	Roller bearing	1
	B22	03-04		4440004	Cylinder block kit	1
	B32	03-04		4440003	Piston assembly	18
	B86	03-04		4440004	Cylinder block kit	1
GUH	B01	03-21		4350350	Housing, front pump	1
	B04	03-21		5000731	Ball bearing	1
	B22	03-21		4440004	Cylinder block kit	1
	B32	03-21		4440003	Piston assembly	18
	B86	03-21		4440004	Cylinder block kit	1
	S14	03-21		5000373	O-ring	1
	S15	03-21		163D70584	Gear pump	1
	S16	03-21		9007300-3716	Screw	2



Variable displacement tandem pump



* = included in overhaul seal kit Q210

E103 500E

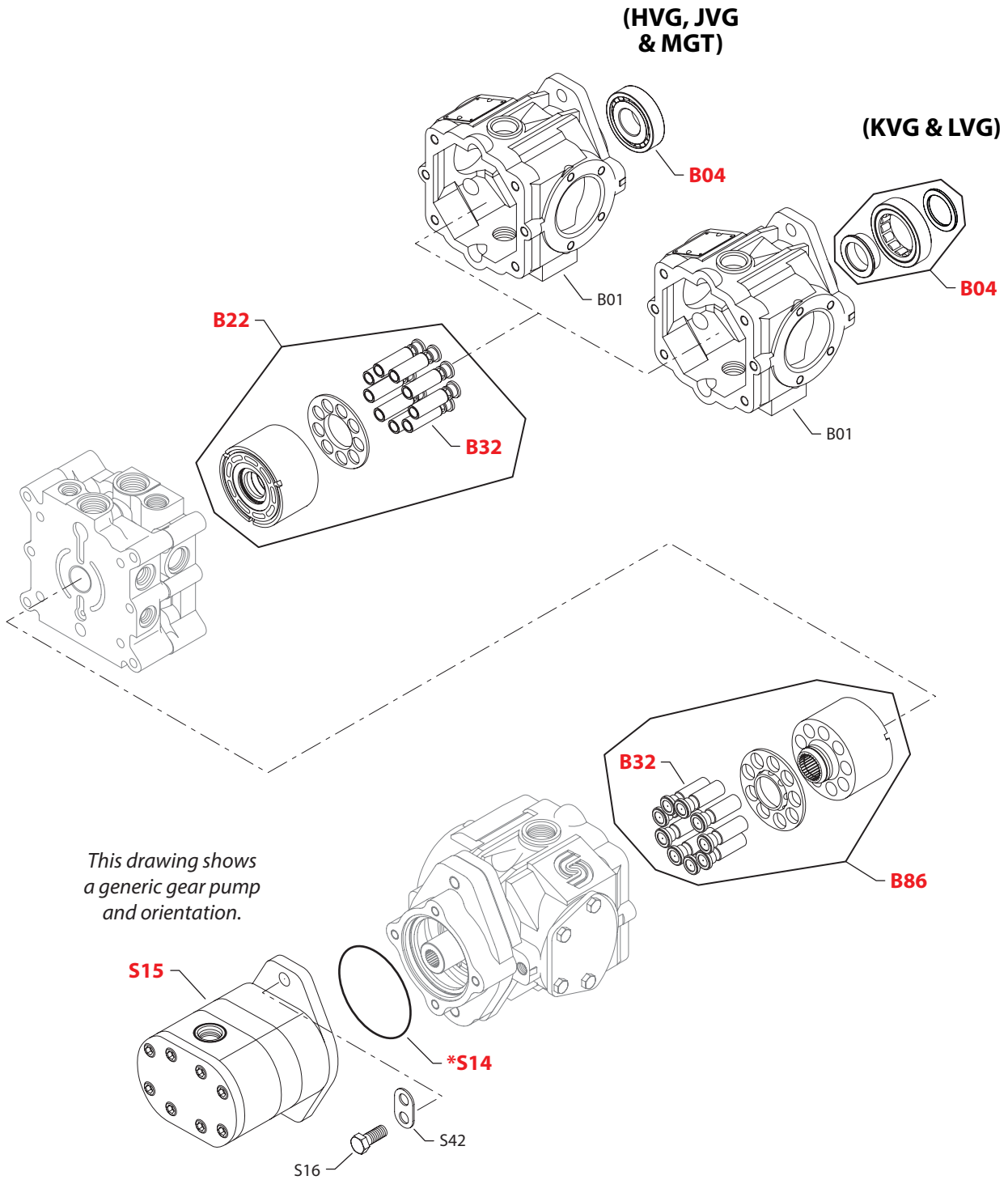
Enlarged **bold** type item numbers are recommended part to stock for servicing.


Variable displacement tandem pump
Special hardware

Order Code	Item	Date Begin	Date End	Part Number	Part Name	Qty. per Model/Kit
GUJ	B01	03-21		4350350	Housing, front pump	1
	B04	03-21		5000731	Ball bearing	1
	B22	03-21		4440004	Cylinder block kit	1
	B32	03-21		4440003	Piston assembly	18
	B86	03-21		4440004	Cylinder block kit	1
	S14	03-21		5000373	O-ring	1
	S15	03-21		163D70584	Gear pump	1
	S16	03-21		9007300-3716	Screw	2
GUK	B01	03-21		4350350	Housing, front pump	1
	B04	03-21		5000731	Ball bearing	1
	B22	03-21		4440004	Cylinder block kit	1
	B32	03-21		4440003	Piston assembly	18
	B86	03-21		4440004	Cylinder block kit	1
	S14	03-21		5000373	O-ring	1
	S15	03-21		163D70525	Gear pump	1
	S16	03-21		9007300-3716	Screw	2
GUN	B01	03-45		4350350	Housing, front pump	1
	B04	03-45		5000731	Ball bearing	1
	B22	03-45		4440004	Cylinder block kit	1
	B32	03-45		4440003	Piston assembly	18
	B86	03-45		4440004	Cylinder block kit	1
	S14	03-45		5000373	O-ring	1
	S15	03-45		181.20.C54.00	Gear pump	1
	S16	03-45		9007300-3722	Screw	2
	S26	03-45		002329 (9009610-4069)	Washer	2
GUP	B01	03-47		4350350	Housing, front pump	1
	B04	03-47		5000731	Ball bearing	1
	B22	03-47		4440004	Cylinder block kit	1
	B32	03-47		4440003	Piston assembly	18
	B86	03-47		4440004	Cylinder block kit	1
	S14	03-47		5000373	O-ring	1
	S15	03-47		11131032	Gear pump	1
	S16	03-47		9007300-3722	Screw	2
	S26	03-47		002329 (9009610-4069)	Washer	2
HTG	B01	06-10		4350350	Housing, front pump	1
	B04	06-10		5000731	Ball bearing	1
	B22	06-10		4440114	Cylinder block kit	1
	B32	06-10		4440113	Piston assembly, welded	18
	B86	06-10		4440114	Cylinder block kit	1
	S14	06-10		5000373	O-ring	1
	S15	06-10		163D71049	Gear pump	1
	S16	06-10		9007300-3716	Screw	2



Variable displacement tandem pump



E103 501E

* = included in overhaul seal kit Q210

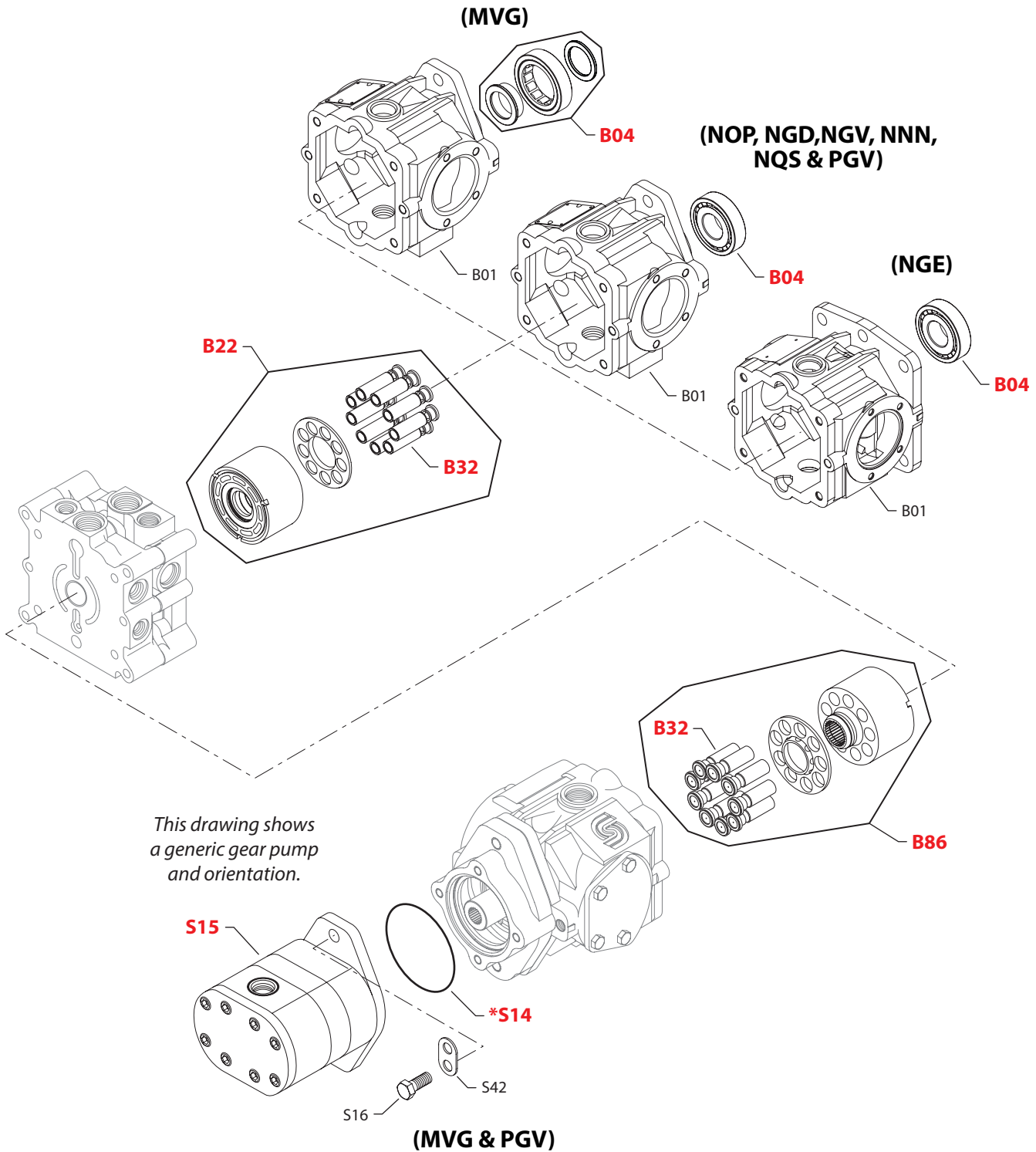
Enlarged **bold** type item numbers are recommended part to stock for servicing.


Variable displacement tandem pump
Special hardware

Order Code	Item	Date Begin	Date End	Part Number	Part Name	Qty. per Model/Kit
HVG	B01	06-14		4350350	Housing, front pump	1
	B04	06-14		5000731	Ball bearing	1
	B22	06-14		4440004	Cylinder block kit	1
	B32	06-14		4440003	Piston assembly	18
	B86	06-14		4440004	Cylinder block kit	1
	S14	06-14		9004100-1550	O-ring	1
	S15	06-14		163D71020	Gear pump	1
	S16	06-14		9007200-5022	Screw	2
	S42	06-14		9801000	Lifting bracket	2
JVG	B01	06-14		4350350	Housing, front pump	1
	B04	06-14		5000731	Ball bearing	1
	B22	06-14		4440004	Cylinder block kit	1
	B32	06-14		4440003	Piston assembly	18
	B86	06-14		4440004	Cylinder block kit	1
	S14	06-14		9004100-1550	O-ring	1
	S15	06-14		163D72008	Gear pump	1
	S16	06-14		9007200-5022	Screw	2
	S42	06-14		9801000	Lifting bracket	2
KVG	B01	06-14		4350350	Housing, front pump	1
	B04	06-14		357616	Roller bearing	1
	B22	06-14		4440114	Cylinder block kit	1
	B32	06-14		4440113	Piston assembly, welded	18
	B86	06-14		4440114	Cylinder block kit	1
	S14	06-14		9004100-1550	O-ring	1
	S15	06-14		163D71022	Gear pump	1
	S16	06-14		9007200-5022	Screw	2
	S42	06-14		9801000	Lifting bracket	2
LVG	B01	06-14		4350350	Housing, front pump	1
	B04	06-14		357616	Roller bearing	1
	B22	06-14		4440114	Cylinder block kit	1
	B32	06-14		4440113	Piston assembly, welded	18
	B86	06-14		4440114	Cylinder block kit	1
	S14	06-14		9004100-1550	O-ring	1
	S15	06-14		163D72023	Gear pump	1
	S16	06-14		9007200-5022	Screw	2
	S42	06-14		9801000	Lifting bracket	2
MGT	B01	06-10		4350350	Housing, front pump	1
	B04	06-10		5000731	Ball bearing	1
	B22	06-10		4440114	Cylinder block kit	1
	B32	06-10		4440113	Piston assembly, welded	18
	B86	06-10		4440114	Cylinder block kit	1
	S14	06-10		5000373	O-ring	1
	S15	06-10		163D1483	Gear pump	1
	S16	06-10		9007300-3716	Screw	2



Variable displacement tandem pump



This drawing shows a generic gear pump and orientation.

* = included in overhaul seal kit Q210

E103 502E

Enlarged **bold** type item numbers are recommended part to stock for servicing.

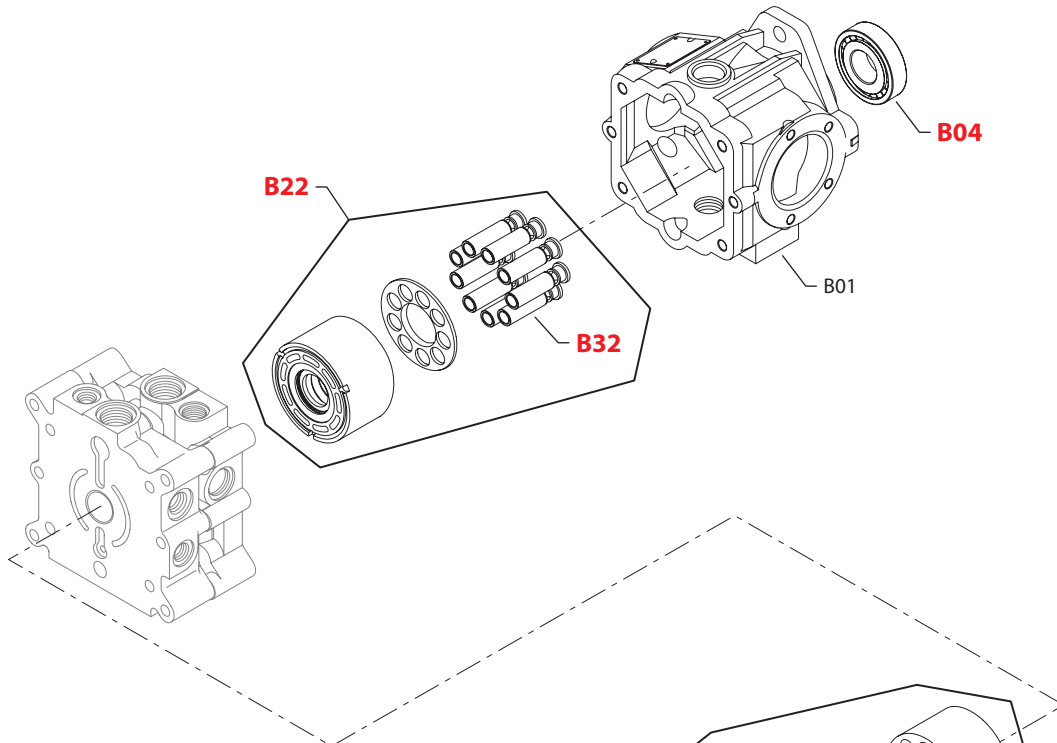

Variable displacement tandem pump
Special hardware

Order Code	Item	Date Begin	Date End	Part Number	Part Name	Qty. per Model/Kit
MVG	B01	06-14		4350350	Housing, front pump	1
	B04	06-14		357616	Roller bearing	1
	B22	06-14		4440114	Cylinder block kit	1
	B32	06-14		4440113	Piston assembly, welded	18
	B86	06-14		4440114	Cylinder block kit	1
	S14	06-14		9004100-1550	O-ring	1
	S15	06-14		163D71018	Gear pump	1
	S16	06-14		9007200-5022	Screw	2
	S42	06-14		9801000	Lifting bracket	2
NOP & NGD	B01	06-14		4350350	Housing, front pump	1
	B04	06-14		5000731	Ball bearing	1
	B22	06-14		4440004	Cylinder block kit	1
	B32	06-14		4440003	Piston assembly	18
	B86	06-14		4440004	Cylinder block kit	1
	NGE	B01	06-14		4350824	Housing, front pump, 4-bolt mount
B04		06-14		5000731	Ball bearing	1
B22		06-14		4440004	Cylinder block kit	1
B32		06-14		4440003	Piston assembly	18
B86		06-14		4440004	Cylinder block kit	1
NGV & NNN		B01	06-14		4350350	Housing, front pump
	B04	06-14		5000731	Ball bearing	1
	B22	06-14		4440004	Cylinder block kit	1
	B32	06-14		4440003	Piston assembly	18
	B86	06-14		4440004	Cylinder block kit	1
	NQS	B01	14-38		4350350	Housing, front pump
B04		14-38		5000731	Ball bearing	1
B22		14-38		4440114	Cylinder block kit	1
B32		14-38		4440113	Piston assembly, welded	18
B86		14-38		4440114	Cylinder block kit	1
PGV		B01	06-14		4350350	Housing, front pump
	B04	06-14		5000731	Ball bearing	1
	B22	06-14		4440114	Cylinder block kit	1
	B32	06-14		4440113	Piston assembly, welded	18
	B86	06-14		4440114	Cylinder block kit	1
	S14	06-14		9004100-1550	O-ring	1
	S15	06-14		163D72020	Gear pump	1
	S16	06-14		9007200-5022	Screw	2
	S42	06-14		9801000	Lifting bracket	2

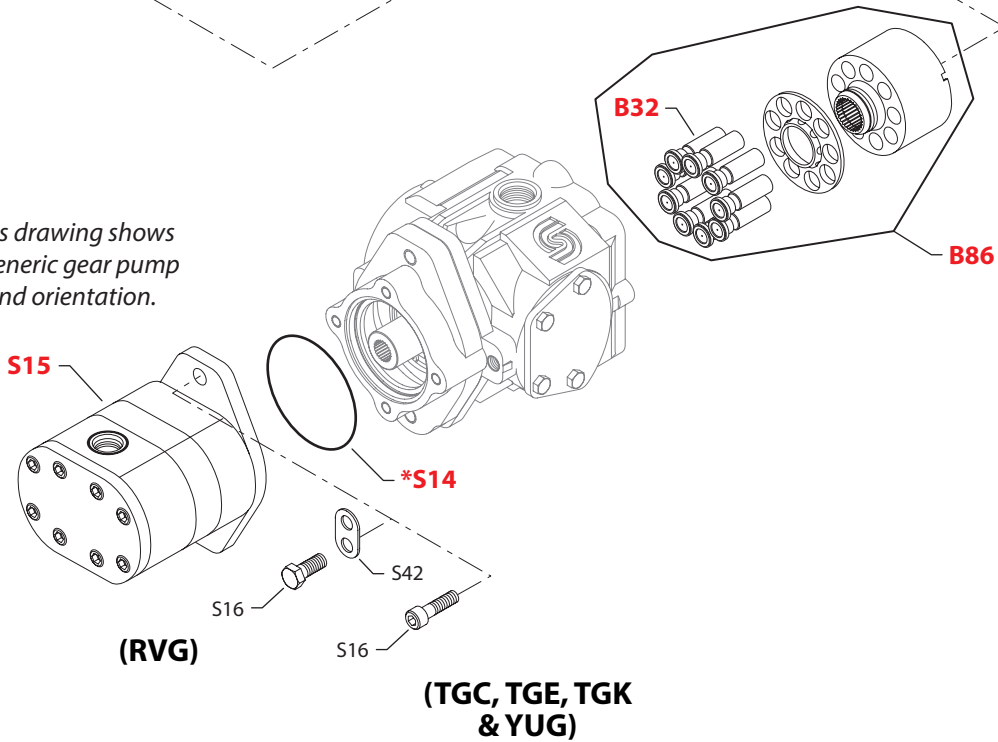


Variable displacement tandem pump

(RVG, TGC, TGE, TGK & YUG)



This drawing shows a generic gear pump and orientation.



(RVG)

(TGC, TGE, TGK & YUG)

E103 504E

* = included in overhaul seal kit Q210

Enlarged **bold** type item numbers are recommended part to stock for servicing.

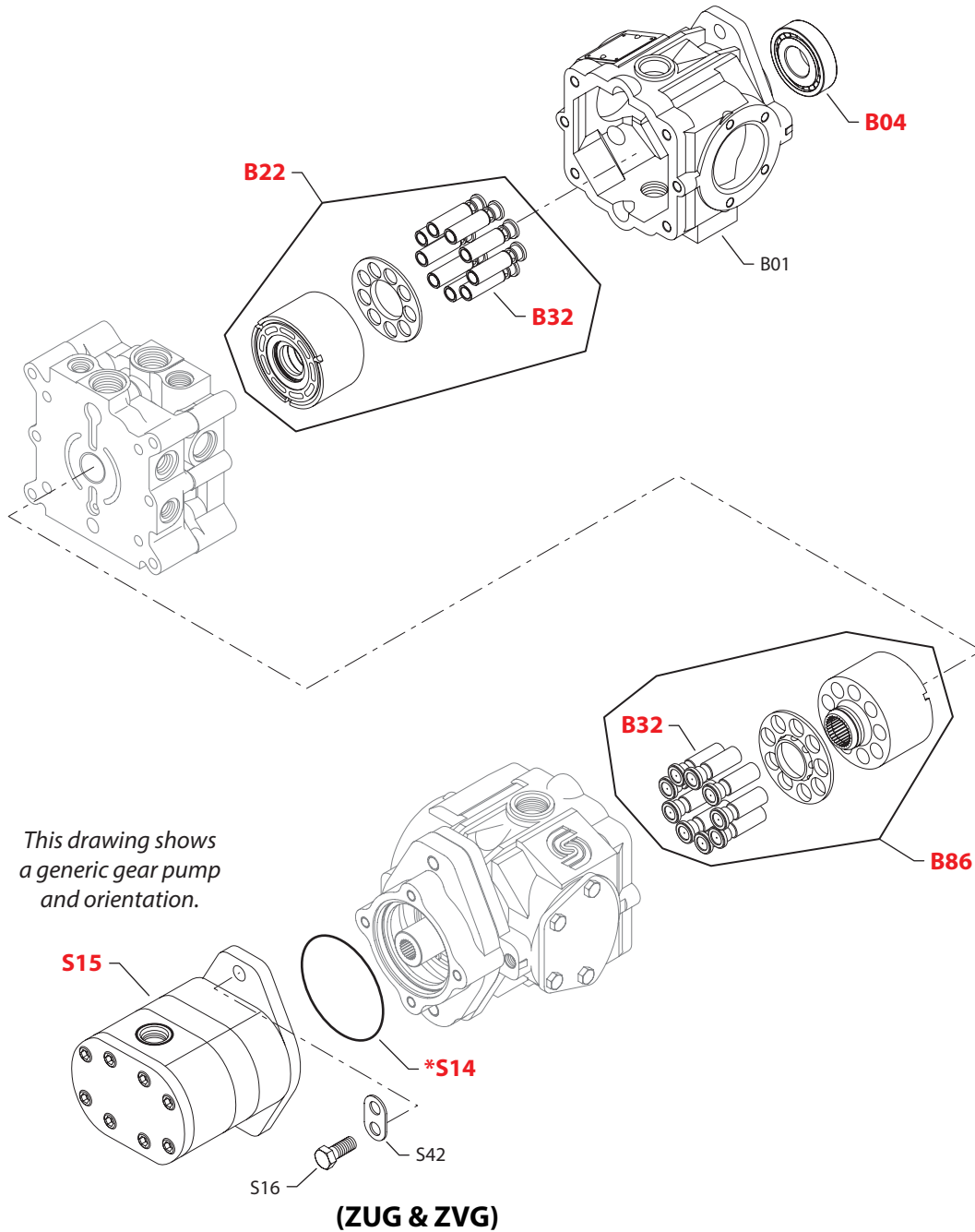

Variable displacement tandem pump
Special hardware

Order Code	Item	Date Begin	Date End	Part Number	Part Name	Qty. per Model/Kit
RVG	B01	06-18		4350350	Housing, front pump	1
	B04	06-18		5000731	Ball bearing	1
	B22	06-14		4440114	Cylinder block kit	1
	B32	06-14		4440113	Piston assembly, welded	18
	B86	06-14		4440114	Cylinder block kit	1
	S14	06-18		9004100-1550	O-ring	1
	S15	06-18		163D72012	Gear pump	1
	S16	06-18		9007200-5022	Screw	2
	S42	06-18		9801000	Lifting bracket	2
TGC	B01	06-10		4350350	Housing, front pump	1
	B04	06-10		5000731	Ball bearing	1
	B22	06-10		4440114	Cylinder block kit	1
	B32	06-10		4440113	Piston assembly, welded	18
	B86	06-10		4440114	Cylinder block kit	1
	S14	06-10		5000373	O-ring	1
	S15	06-10		163D70003	Gear pump	1
	S16	06-10		9007300-3716	Screw	2
	TGE	B01	06-10		4350350	Housing, front pump
B04		06-10		5000731	Ball bearing	1
B22		06-10		4440114	Cylinder block kit	1
B32		06-10		4440113	Piston assembly, welded	18
B86		06-10		4440114	Cylinder block kit	1
S14		06-10		5000373	O-ring	1
S15		06-10		163D71009	Gear pump	1
S16		06-10		9007300-3716	Screw	2
T GK		B01	06-10		4350350	Housing, front pump
	B04	06-10		5000731	Ball bearing	1
	B22	06-10		4440114	Cylinder block kit	1
	B32	06-10		4440113	Piston assembly, welded	18
	B86	06-10		4440114	Cylinder block kit	1
	S14	06-10		5000373	O-ring	1
	S15	06-10		163D71047	Gear pump	1
	S16	06-10		9007300-3716	Screw	2
	YUG	B01	06-10		4350350	Housing, front pump
B04		06-10		5000731	Ball bearing	1
B22		06-10		4440004	Cylinder block kit	1
B32		06-10		4440003	Piston assembly	18
B86		06-10		4440004	Cylinder block kit	1
S14		06-10		5000373	O-ring	1
S15		06-10		163D1483	Gear pump	1
S16		06-10		9007300-3716	Screw	2



Variable displacement tandem pump

(ZNZ, ZUG & ZVG)



This drawing shows a generic gear pump and orientation.

(ZUG & ZVG)

E103 503E

* = included in overhaul seal kit Q210

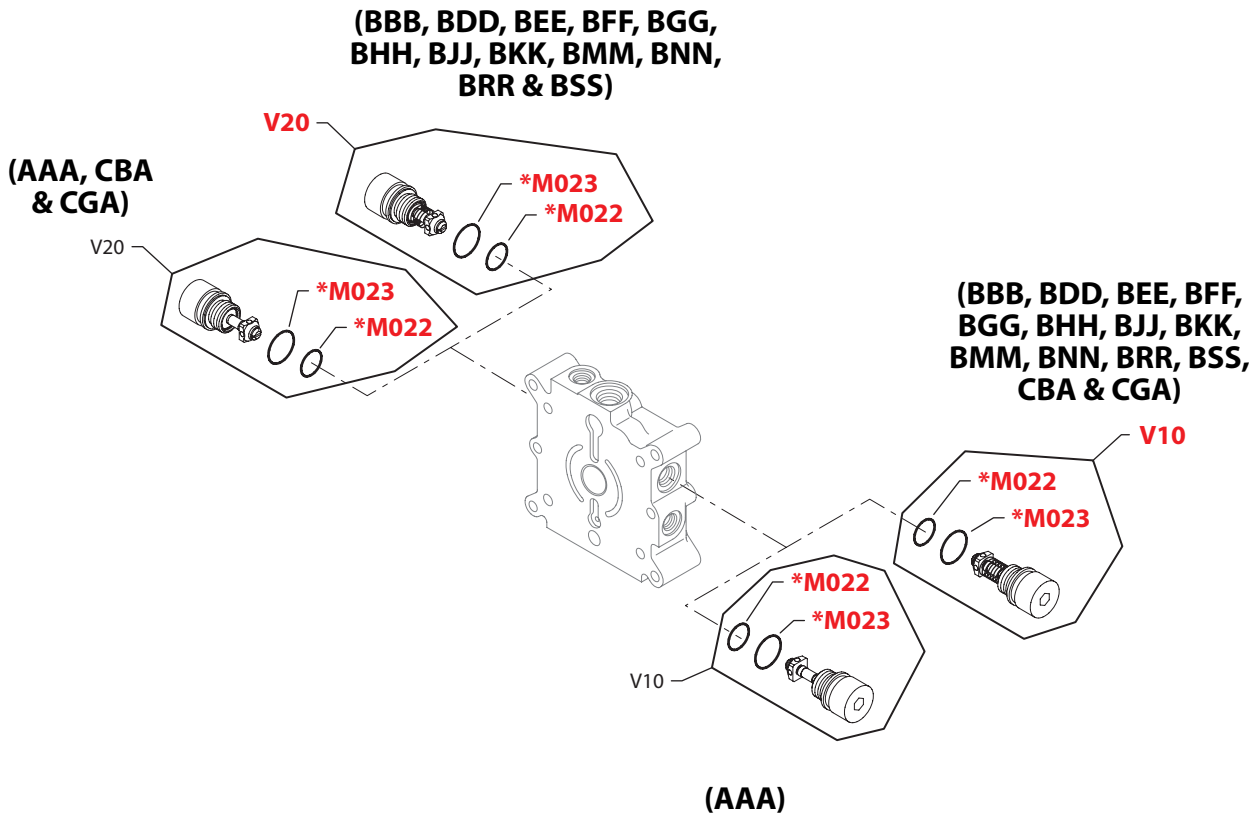
Enlarged **bold** type item numbers are recommended part to stock for servicing.


Variable displacement tandem pump
Special hardware

Order Code	Item	Date Begin	Date End	Part Number	Part Name	Qty. per Model/Kit
ZNZ	B01	06-14		4350350	Housing, front pump	1
	B04	06-14		5000731	Ball bearing	1
	B22	06-14		4440114	Cylinder block kit	1
	B32	06-14		4440113	Piston assembly, welded	18
	B86	06-14		4440114	Cylinder block kit	1
ZUG	B01	06-10		4350350	Housing, front pump	1
	B04	06-10		5000731	Ball bearing	1
	B22	06-10		4440114	Cylinder block kit	1
	B32	06-10		4440113	Piston assembly, welded	18
	B86	06-10		4440114	Cylinder block kit	1
	S14	06-10		9004100-1550	O-ring	1
	S15	06-10		163D1487	Gear pump	1
	S16	06-10		9007200-5022	Screw	2
	S42	06-10		9801000	Lifting bracket	2
ZVG	B01	06-14		4350350	Housing, front pump	1
	B04	06-14		5000731	Ball bearing	1
	B22	06-14		4440114	Cylinder block kit	1
	B32	06-14		4440113	Piston assembly, welded	18
	B86	06-14		4440114	Cylinder block kit	1
	S14	06-14		9004100-1550	O-ring	1
	S15	06-14		163D72025	Gear pump	1
	S16	06-14		9007200-5022	Screw	2
	S42	06-14		9801000	Lifting bracket	2



Variable displacement tandem pump



* = included in overhaul seal kit Q210

E100 577E

Enlarged **bold** type item numbers are recommended part to stock for servicing.


Variable displacement tandem pump
System pressure protection

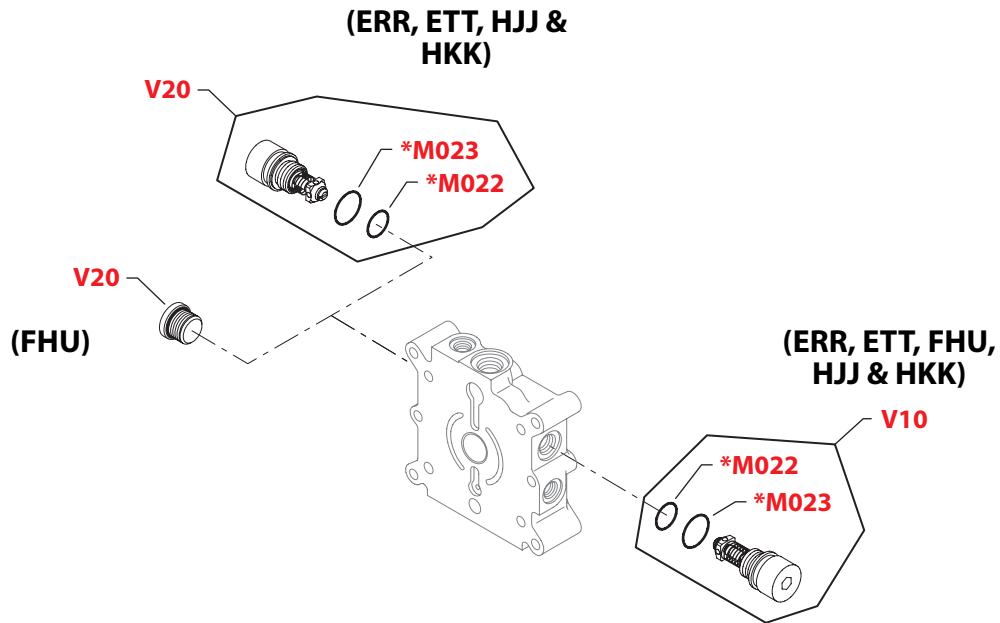
Order Code	Item	Date Begin	Date End	Part Number	Part Name	Qty. per Model/Kit
	M022	95-45		001131 (9004201-5000)	O-ring	2
	M023	95-45		9004100-2110	O-ring	2

System pressure protection (rear pump)

AAA	V10	95-45		4350634	Check valve poppet assembly (SB-1996-014)	1
	V20	95-45		4350634	Check valve poppet assembly (SB-1996-014)	1
BBB	V10	95-45		4350643	SCR valve assembly, 175 bar [2528 psi] (SB-1996-014)	1
	V20	95-45		4350643	SCR valve assembly, 175 bar [2528 psi] (SB-1996-014)	1
BDD	V10	95-45		4350641	SCR valve assembly, 210 bar [3045 psi] (SB-1996-014)	1
	V20	95-45		4350641	SCR valve assembly, 210 bar [3045 psi] (SB-1996-014)	1
BEE	V10	95-45		4350640	SCR valve assembly, 230 bar [3335 psi] (SB-1996-014)	1
	V20	95-45		4350640	SCR valve assembly, 230 bar [3335 psi] (SB-1996-014)	1
BFF	V10	95-45		4350639	SCR valve assembly, 250 bar [3625 psi] (SB-1996-014)	1
	V20	95-45		4350639	SCR valve assembly, 250 bar [3625psi] (SB-1996-014)	1
BGG	V10	95-45		4350638	SCR valve assembly, 280 bar [4060 psi] (SB-1996-014)	1
	V20	95-45		4350638	SCR valve assembly, 280 bar [4060 psi] (SB-1996-014)	1
BHH	V10	95-45		4350637	SCR valve assembly, 300 bar [4350 psi] (SB-1996-014)	1
	V20	95-45		4350637	SCR valve assembly, 300 bar [4350 psi] (SB-1996-014)	1
BJJ	V10	95-45		4350636	SCR valve assembly, 345 bar [5000 psi] (SB-1996-014)	1
	V20	95-45		4350636	SCR valve assembly, 345 bar [5000 psi] (SB-1996-014)	1
BKK	V10	95-45		4440239	SCR valve assembly, 360 bar [5220 psi] (SB-1996-014)	1
	V20	95-45		4440239	SCR valve assembly, 360 bar [5220 psi] (SB-1996-014)	1
BMM	V10	95-45		4350635	SCR valve assembly, 140 bar [2030 psi] (SB-1996-014)	1
	V20	95-45		4350635	SCR valve assembly, 140 bar [2030 psi] (SB-1996-014)	1
BNN	V10	95-45		4350644	SCR valve assembly, 260 bar [3770 psi] (SB-1996-014)	1
	V20	95-45		4350644	SCR valve assembly, 260 bar [3770 psi] (SB-1996-014)	1
BRR	V10	95-45		4350645	SCR valve assembly, 325 bar [4712 psi] (SB-1996-014)	1
	V20	95-45		4350645	SCR valve assembly, 325 bar [4712 psi] (SB-1996-014)	1
BSS	V10	95-45		4350694	SCR valve assembly, 385 bar [5580 psi] (SB-1996-014)	1
	V20	95-45		4350694	SCR valve assembly, 385 bar [5580 psi] (SB-1996-014)	1
CBA	V10	95-45		4350643	SCR valve assembly, 175 bar [2528 psi] (SB-1996-014)	1
	V20	95-45		4350634	Check valve poppet assembly (SB-1996-014)	1
CGA	V10	98-24		4350638	SCR valve assembly, 280 bar [4060 psi]	1
	V20	98-24		4350634	Check valve poppet assembly	1
EFF	V10	98-47		4250139	SCR valve assembly, 250 bar [3625 psi]	1
	V20	98-47		4250139	SCR valve assembly, 250 bar [3625 psi]	1



Variable displacement tandem pump



E103 505E

* = included in overhaul seal kit Q210

Enlarged **bold** type item numbers are recommended part to stock for servicing.



Variable displacement tandem pump

System pressure protection

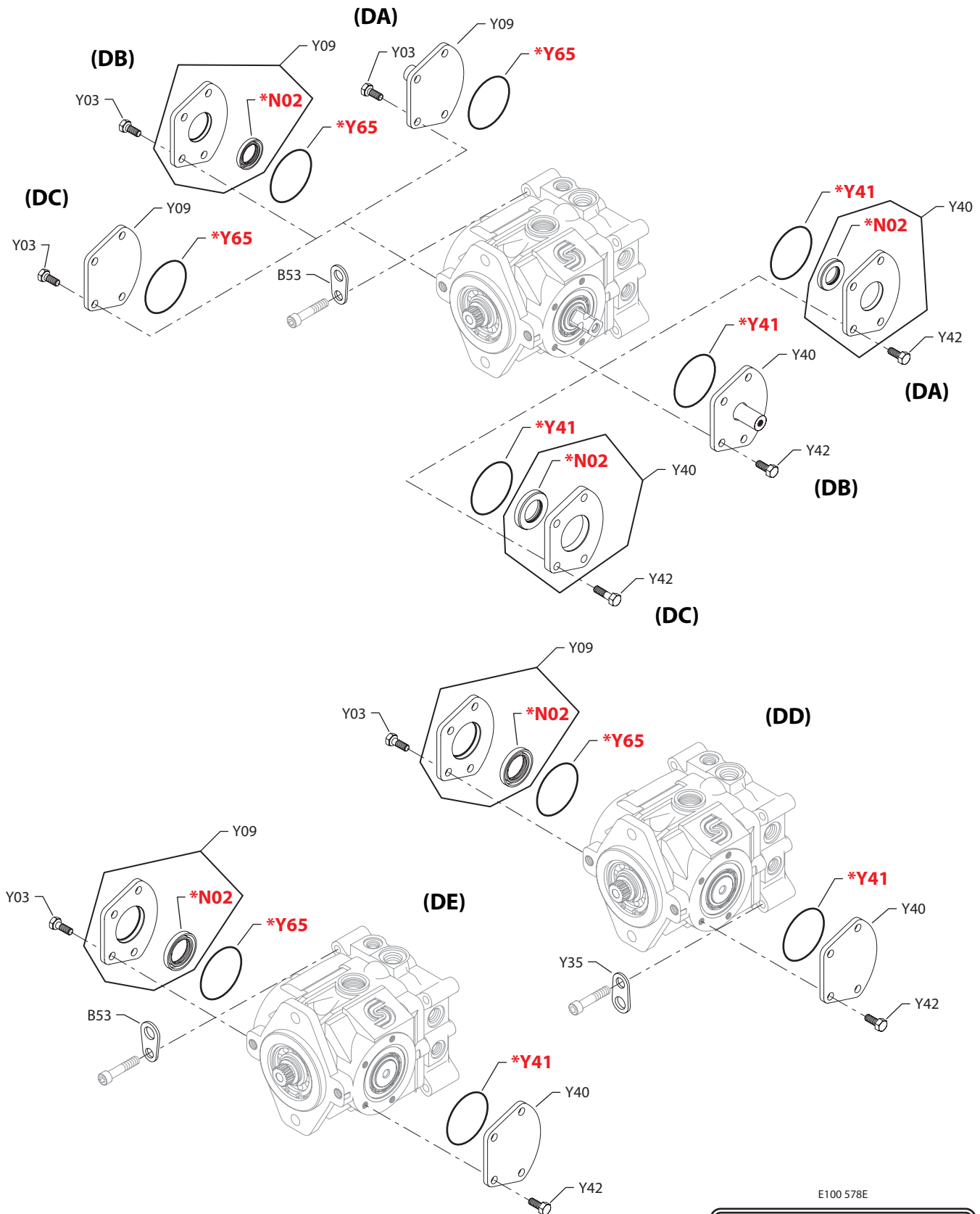
Order Code	Item	Date Begin	Date End	Part Number	Part Name	Qty. per Model/Kit
	M022	95-45		001131 (9004201-5000)	O-ring	2
	M023	95-45		9004100-2110	O-ring	2

System pressure protection (rear pump)

ERR	V10	98-47		4350673	SCR valve assembly, 325 bar [4712 psi]	1
	V20	98-47		4350673	SCR valve assembly, 325 bar [4712 psi]	1
ETT	V10	98-31		4350723	SCR valve assembly, 345 bar [5000 psi]	1
	V20	98-31		4350723	SCR valve assembly, 345 bar [5000 psi]	1
FHU	V10	98-31		4350637	SCR valve assembly, 300 bar [4350 psi]	1
	V20	98-31		9005110-7500	Plug assembly	1
HJJ	V10	95-45		4440376	SCR valve assembly, 345 bar [5000 psi] (SB-1996-014)	1
	V20	95-45		4440376	SCR valve assembly, 345 bar [5000 psi] (SB-1996-014)	1
HKK	V10	95-45		11041730	SCR valve assembly, 360 bar [5220 psi] (SB-1996-014)	1
	V20	95-45		11041730	SCR valve assembly, 360 bar [5220 psi] (SB-1996-014)	1



Variable displacement tandem pump



E100 578E

* = included in overhaul seal kit Q210

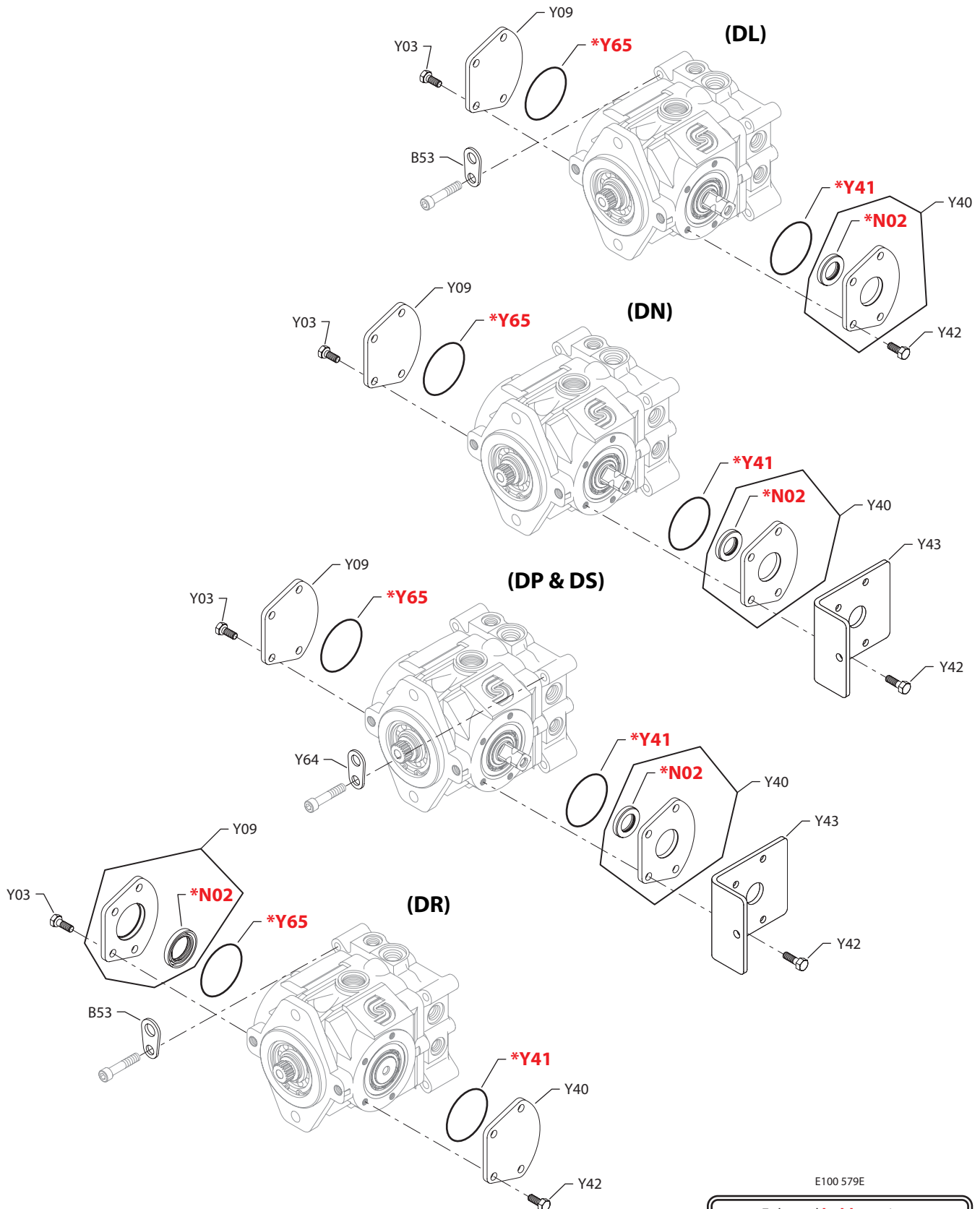
Enlarged **bold** type item numbers are recommended part to stock for servicing.


Variable displacement tandem pump
Direct displacement control, rear pump

Order Code	Item	Date Begin	Date End	Part Number	Part Name	Qty. per Model/Kit
DA	B53	03-07		8800565	Lifting bracket	1
	N02	03-07		5000604	Trunnion lip seal	1
	Y03	03-07		378083 (9007210-0804)	Screw, M8 x 16	4
	Y09	03-07		1732161-01	Trunnion cover w/support	1
	Y40	03-07		4350732	Trunnion cover assembly, on left side	1
	Y41	03-07		9004300-1460	O-ring	1
	Y42	03-07		378083 (9007210-0804)	Screw, M8 x 16	4
	Y65	03-07		9004300-1460	O-ring	1
	DB	B53	03-07		8800565	Lifting bracket
N02		03-07		5000604	Trunnion lip seal	1
Y03		03-07		378083 (9007210-0804)	Screw, M8 x 16	4
Y09		03-07		4350732	Trunnion cover assembly, on right side	1
Y40		03-07		1732161-01	Trunnion cover w/support	1
Y41		03-07		9004300-1460	O-ring	1
Y42		03-07		378083 (9007210-0804)	Screw, M8 x 16	4
Y65		03-07		9004300-1460	O-ring	1
DC		B53	05-39		8800565	Lifting bracket
	N02	05-39		5000752	Trunnion lip seal	1
	Y03	05-39		378083 (9007210-0804)	Screw, M8 x 16	4
	Y09	05-39		4250027	Trunnion cover	1
	Y40	05-39		4440416	Trunnion cover assembly, on left side	1
	Y41	05-39		5000756	O-ring	1
	Y42	05-39		507205	Screw, M8 x 20	4
	Y65	05-39		5000756	O-ring	1
	DD	N02	05-39		5000752	Trunnion lip seal
Y03		05-39		507205	Screw, M8 x 20	4
Y09		05-39		4440416	Trunnion cover assembly, on right side	1
Y35		05-39		8800565	Lifting bracket	1
Y40		05-39		4250027	Trunnion cover	1
Y41		05-39		5000756	O-ring	1
Y42		05-39		378083 (9007210-0804)	Screw, M8 x 16	4
Y65		05-39		5000756	O-ring	1
DE		B53	15-52		8800565	Lifting bracket
	N02	15-52		5000604	Trunnion lip seal	1
	Y03	15-52		507205	Screw, M8 x 20	4
	Y09	15-52		4440416	Trunnion cover assembly, on right side	1
	Y40	15-52		4250027	Trunnion cover	1
	Y41	15-52		5000756	O-ring	1
	Y42	15-52		378083 (9007210-0804)	Screw, M8 x 16	4
	Y65	15-52		5000756	O-ring	1



Variable displacement tandem pump



* = included in overhaul seal kit Q210

E100 579E

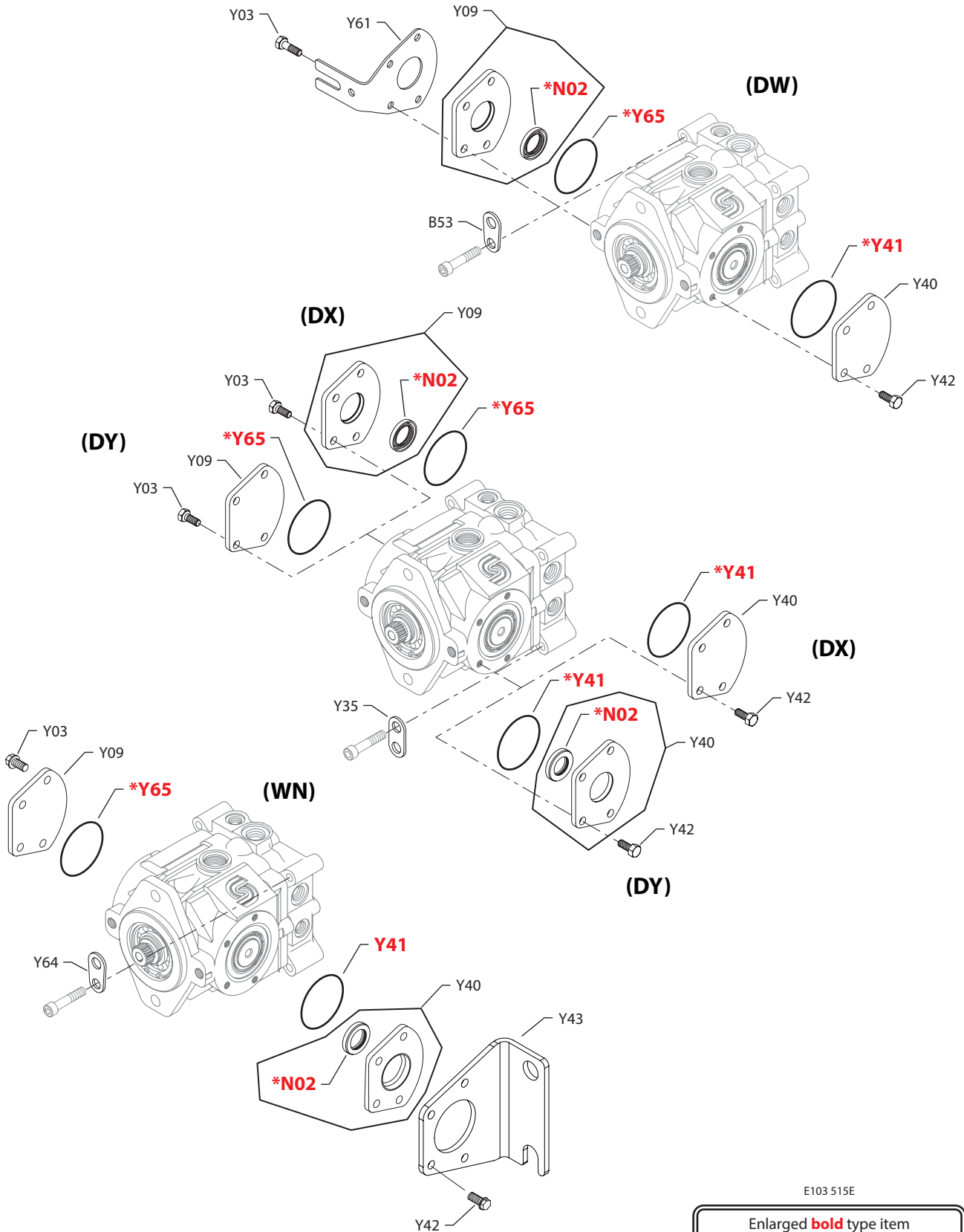
Enlarged **bold** type item numbers are recommended part to stock for servicing.


Variable displacement tandem pump
Direct displacement control, rear pump

Order Code	Item	Date Begin	Date End	Part Number	Part Name	Qty. per Model/Kit
DL	B53	95-45		8800565	Lifting bracket	1
	N02	95-45		5000604	Trunnion lip seal (SB-2000-026)	1
	Y03	95-45		378083 (9007210-0804)	Screw, M8 x 16	4
	Y09	95-45		4250027	Trunnion cover	1
	Y40	95-45		4350732	Trunnion cover assembly, on left side (SB-1999-040)	1
	Y41	95-45		9004300-1460	O-ring	1
	Y42	95-45		378083 (9007210-0804)	Screw, M8 x 16	4
	Y65	95-45		9004300-1460	O-ring	1
	DN	N02	98-24		5000604	Trunnion lip seal (SB-2000-026)
Y03		98-24		378083 (9007210-0804)	Screw, M8 x 16	4
Y09		98-24		4250027	Trunnion cover	1
Y40		98-24		4350732	Trunnion cover assembly, on left side (SB-1999-040)	1
Y41		98-24		9004300-1460	O-ring	1
Y42		98-24		507205	Screw, M8 x 20	4
Y43		98-24		4440414	Guide bracket	1
Y65		98-24		9004300-1460	O-ring	1
DP		N02	03-26		5000604	Trunnion lip seal (SB-2000-026)
	Y03	03-26		378083 (9007210-0804)	Screw, M8 x 16	4
	Y09	03-26		4250027	Trunnion cover	1
	Y40	03-26		4350732	Trunnion cover assembly, on left side	1
	Y41	03-26		9004300-1460	O-ring	1
	Y42	03-26		507205	Screw, M8 x 20	4
	Y43	03-26		4440414	Guide bracket	1
	Y64	03-26		8800565	Lifting bracket	1
	Y65	03-26		9004300-1460	O-ring	1
DR	B53	95-45		8800565	Lifting bracket	1
	N02	03-26		5000604	Trunnion lip seal (SB-2000-026)	1
	Y03	03-26		378083 (9007210-0804)	Screw, M8 x 16	4
	Y09	03-26		4350732	Trunnion cover assembly, on right side	1
	Y40	03-26		4250027	Trunnion cover	1
	Y41	03-26		9004300-1460	O-ring	1
	Y42	03-26		378083 (9007210-0804)	Screw, M8 x 16	4
	Y65	03-26		9004300-1460	O-ring	1
	DS	N02	03-26		5000604	Trunnion lip seal (SB-2000-026)
Y03		03-26		378083 (9007210-0804)	Screw, M8 x 16	4
Y09		03-26		4250027	Trunnion cover	1
Y40		03-26		4350732	Trunnion cover assembly, on left side	1
Y41		03-26		9004300-1460	O-ring	1
Y42		03-26		507205	Screw, M8 x 20	4
Y43		03-26		4440414	Guide bracket	1
Y64		03-26		8800565	Lifting bracket	1
Y65		03-26		9004300-1460	O-ring	1



Variable displacement tandem pump



* = included in overhaul seal kit Q210

E103 515E
 Enlarged **bold** type item numbers are recommended part to stock for servicing.


Variable displacement tandem pump
Direct displacement control, rear pump

Order Code	Item	Date Begin	Date End	Part Number	Part Name	Qty. per Model/Kit	
DW	B53	96-07		8800565	Lifting bracket	1	
	N02	96-07		5000604	Trunnion lip seal	1	
	Y03	96-07		507205	Screw, M8 x 20	4	
	Y09	96-07		4350732	Trunnion cover assembly, on right side	1	
	Y40	96-07		4250027	Trunnion cover	1	
	Y41	96-07		9004300-1460	O-ring	1	
	Y42	96-07		378083 (9007210-0804)	Screw, M8 x 16	4	
	Y61	98-24		4350761	Trunnion bracket	1	
	Y65	96-07		9004300-1460	O-ring	1	
	DX	N02	99-22		5000604	Trunnion lip seal (SB-2000-026)	1
Y03		99-22		378083 (9007210-0804)	Screw, M8 x 16	4	
Y09		99-22		4350732	Trunnion cover assembly, on right side	1	
Y35		99-22		8800565	Lifting bracket	1	
Y40		99-22		4250027	Trunnion cover	1	
Y41		99-22		9004300-1460	O-ring	1	
Y42		99-22		378083 (9007210-0804)	Screw, M8 x 16	4	
Y65		99-22		9004300-1460	O-ring	1	
DY		N02	96-28		5000604	Trunnion lip seal (SB-2000-026)	1
		Y03	96-28		378083 (9007210-0804)	Screw, M8 x 16	4
	Y09	96-28		4250027	Trunnion cover	1	
	Y35	96-28		8800565	Lifting bracket	1	
	Y40	96-28		4350732	Trunnion cover assembly, on left side (SB-1999-040)	1	
	Y41	96-28		9004300-1460	O-ring	1	
	Y42	96-28		378083 (9007210-0804)	Screw, M8 x 16	4	
	Y65	96-28		9004300-1460	O-ring	1	
	WN	N02	96-07		5000604	Trunnion lip seal	1
		Y03	96-07		378083 (9007210-0804)	Screw, M8 x 16	4
Y09		96-07		4250027	Trunnion cover	1	
Y40		96-07		4350732	Trunnion cover assembly, on left side	1	
Y41		96-07		9004300-1460	O-ring	1	
Y42		96-07		507205	Screw, M8 x 20	4	
Y43		96-07		11171922	Bracket	1	
Y64		96-07		8800565	Lifting bracket	1	
Y65		96-07		9004300-1460	O-ring	1	


Variable displacement tandem pump
Overhaul seal kit

Order code	Item	Date begin	Date end	Part number	Part name	Qty. per model/kit
	Q210	95-45		11181821	Overhaul seal kit, MPT035/44D	1
	B02	95-45		5000689	Lip seal (SB-2003-018)	1
	B37	95-45		4350145	End cap gasket	1
	B80	95-45		4350145	End cap gasket	1
	G06	95-45		5000352	O-ring, .139 x 1.609, nitrile, 90D	1
	G06	95-45		9004100-1310	O-ring, .103 x 1.674, nitrile, 70D	1
	G07	95-45		9004100-1530	O-ring, .103 x 3.487, nitrile, 70D	1
	G07	95-45		9004100-2370	O-ring, .139 x 3.359, nitrile, 70D	1
	H01A	95-45		001149 (9004201-6200)	O-ring, .097 x .755, nitrile, 90D	1
	J11	95-45		511852 (9004100-1140)	O-ring, .103 x .612, nitrile, 70D	1
	J12	95-45		511853 (9004100-1180)	O-ring, .103 x .862, nitrile, 70D	1
	M022	95-45		001131 (9004201-5000)	O-ring, .087 x .644, nitrile, 90D	2
	M023	95-45		9004100-2110	O-ring, .139 x .796, nitrile, 70D	2
	N02	95-45		5000604	Trunnion lip seal	2
	N04	95-45		9004300-1460	O-ring, rectangular	1
	N41	95-45		9004300-1460	O-ring, rectangular	1
	S05	95-45		9004100-1460	O-ring, .103 x 2.612, nitrile, 70D	1
	S14	95-45		5000373	O-ring, .103 x 3.237, nitrile, 90D	1
	S14	95-45		9004100-1550	O-ring, .103 x 3.987, nitrile, 70D	1
	S19	95-45		9004100-1550	O-ring, .103 x 3.987, nitrile, 70D	1
	Y41	95-45		9004300-1460	O-ring, rectangular	1
	Y65	95-45		9004300-1460	O-ring, rectangular	1



Service Bulletin: SB-1996-014

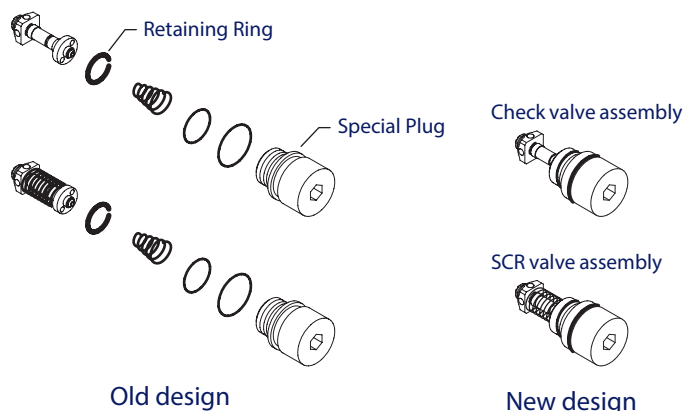
Products affected Series 40: M25, M35, M44 pumps, and tandem pumps

Subject Redesign the retention method in check valve assemblies

Description As a product improvement, Sauer-Danfoss changed the retention method in the check valve assembly, and SCR valve assembly. The old design allowed the check valve and SCR valve assembly to be disassembled. That retention method had the potential to hang up the valves on the retaining ring. The new design uses a different style. The retaining ring will not hang up on the valve; however, it does not allow the assembly to be taken apart.

All new repairs, conversions, or purchases of a check valve or SCR valve require the entire assembly be exchanged.

The new and old assemblies are totally interchangeable. The special plug part number 4350182, and the internal retaining ring part number 4350183, are obsolete. They are no longer available as service parts.



Models affected All Series 40: M25, M35, and M44 single and tandem pumps

Serial numbers This change became effective at serial number 96-40-xxxxx.

Part numbers affected

Description	Old part number	New part number	Relief valve set point
Poppet-check valve ass'y	3103348	4350634	N/A
SCR valve assembly	3103375-0140	4350635	140 bar [2030 psi]
SCR valve assembly	3103375-0175	4350643	175 bar [2528 psi]
SCR valve assembly	3103375-0190	4350642	190 bar [2755 psi]
SCR valve assembly	3103375-0210	4350641	210 bar [3045 psi]
SCR valve assembly	3103375-230	4350640	230 bar [3335 psi]
SCR valve assembly	3103375-250	4350639	250 bar [3625 psi]
SCR valve assembly	3103375-260	4350644	260 bar [3770 psi]
SCR valve assembly	3103375-0280	4350638	280 bar [4060 psi]
SCR valve assembly	3103375-0300	4350637	300 bar [4350 psi]
SCR valve assembly	3103375-0325	4350645	325 bar [4712 psi]
SCR valve assembly	3103375-0345	4350636	345 bar [5000 psi]
SCR valve assembly	3103375-0415	4350646	415 bar [6020 psi]

Parts disposition ■ Interchangeable



Service Bulletin: SB-1998-092

Products affected Series 40: M35 and M44 variable motors, variable pumps, and tandem pumps

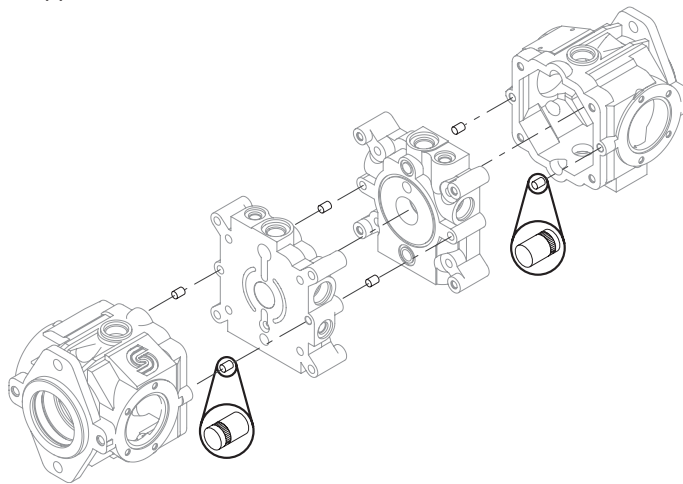
Subject Housing to end cap dowel pin change

Description Sauer-Danfoss introduced a design improvement to the dowel pins that align the variable housing and end cap for the Series 40: M35 and M44 variable motors, variable pumps, and tandem variable pumps.

Each variable motor and variable pump assembly uses two dowel pins to align the end cap to the pump housing. The assembly is designed so the dowel pin is installed in the variable housing before the end cap is positioned on the assembly. The tandem variable pump uses the same dowel pin to align the two halves of the tandem pump assembly. Previously, a slip fit existed between the holes in the variable housing and the pin.

The design of the dowel pin changed to incorporate a knurled section on the pin. The fit between the dowel pin and the pilot hole in the variable housing changed to a slight interference fit. This change improves the serviceability of the motor and pump assembly, by reducing the potential for the pins to dislodge from the housing when servicing the product.

To help identify this change, we have a new dowel pin part number. The new pin is completely interchangeable with the old pin. The old pin remains available as a service item, since it is in a variety of Sauer-Danfoss applications.



Models affected M35-4xxx, 4354xxx and 4444xxx variable displacement motors
M35-2xxx, 4352xxx and 4442xxx variable displacement pumps
M91-35xxx, 4355xxx and 4445xxx tandem pumps

Serial numbers This change became effective at serial number A-99-10-xxxxx

Part numbers affected	Old dowel pin	New dowel pin
	5000529	9004800-3708

Parts disposition

- Interchangeable
- Use parts in stock

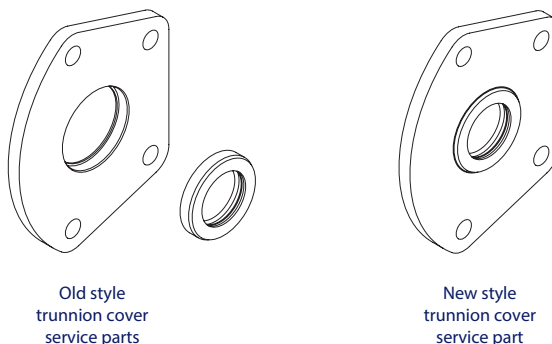


Service Bulletin: SB-1999-040

Products affected Series 40: M25, M35, and M44 pumps

Subject Trunnion cover/seals

Description As a quality improvement, Sauer-Danfoss is preassembling trunnion seals into the trunnion cover for all Series 40 variable and tandem direct displacement pumps. The trunnion cover/seal assembly and the trunnion seal is available as a service part. The trunnion cover is no longer available as a service part.



Models affected Service parts for all Series 40: M25, M35, and M44 pumps

Serial numbers Service part (not applicable).

Part numbers affected

Item description	Part number
Trunnion cover assembly	4350732
Lip seal	5000465
Trunnion cover	4250025 (no longer available as a service part)

- Parts disposition**
- Interchangeable
 - Use parts in stock



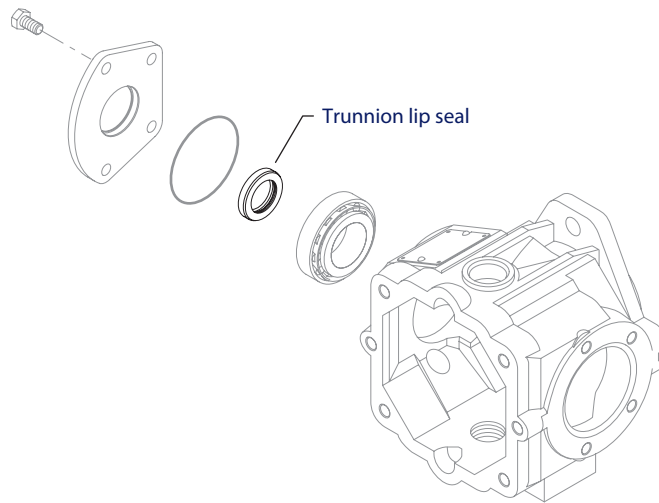
Service Bulletin: SB-2000-26A

Products affected Series 40: M25, M35, and M44 pumps and variable motors

Subject Trunnion seal change

Description As a product improvement, Sauer-Danfoss made a design change to the trunnion seal on Series 40: M25, M35, and M44 pumps and variable motors. The dust lip is extended, allowing more installation concentricity tolerance, and more forgiving during installation. Now there will be fewer low-hour trunnion seal failures caused by improper installation.

The new seal is interchangeable with the old seal. Sauer-Danfoss recommends that the seal be replaced when servicing these units. The old seal (5000465) remains available as it is in other Sauer-Danfoss product lines.



Models affected Series 40: M25, M35 and M44 pumps and variable motors

Serial numbers This change became effective at serial number K-00-46-xxxxx

Part numbers affected

Item description	Old part number	New part number
Trunnion seal	5000465	5000604

Parts disposition ■ Interchangeable

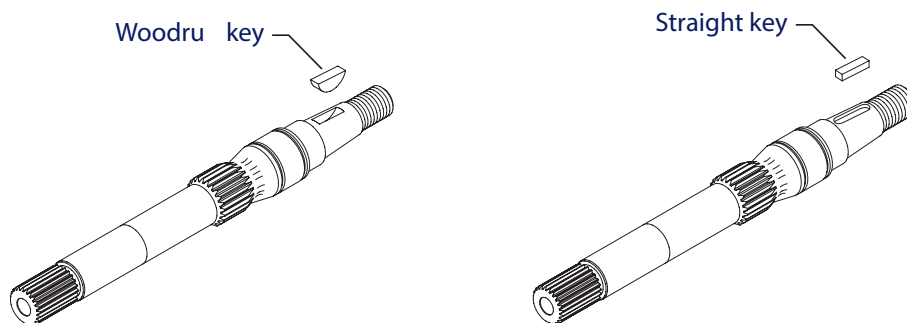


Service Bulletin: SB-2002-021

Products affected Series 40: M25, M35, M44, M46, and LV pumps and motors

Subject Change from woodruff key to straight key on tapered shaft

Description Sauer-Danfoss uses a straight key rather than a woodruff key in tapered shafts on all Series 40 pumps and motors. Tapered shafts requiring a woodruff key are obsolete. The woodruff key, however, remains available for service requirements. Customers requiring a replacement shaft need the straight key.



Models affected Series 40: M25, M35, M44, M46, and LV pumps and motors using tapered shafts

Serial numbers This change will become effective during the 2002 build year.

Part numbers affected

Old part number	New part number	Description
9003310-2514	-	Key-woodruff, .248 x .875
-	5000664	Key-square, .250 x .750
4250012	4250164	Shaft, tapered
4254500	4254568	Shaft, tapered
4350390	4350805	Shaft, tapered
4350432	4350791	Shaft, tapered
4460309	4461308	Shaft, tapered/9t. aux.
4461290	4461302	Shaft, tapered/13t. aux.
4460577	4461309	Shaft, tapered
4460804	4461306	Shaft, 13-tooth/tapered aux.
4460772	4461307	Shaft, tapered

Parts disposition

- Interchangeable if shaft and key are both replaced
- Use parts in stock
- Scrap new parts and apply for credit



Service Bulletin: SB-2005-015

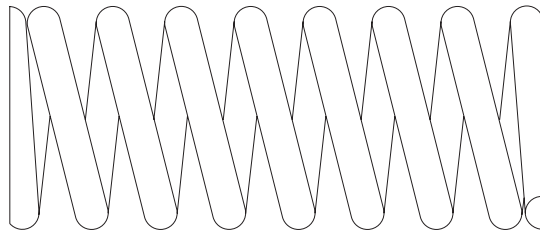
Products affected Series 40 fixed motors with loop flushing option (M25, M35, M44)

Subject Loop flush return spring.

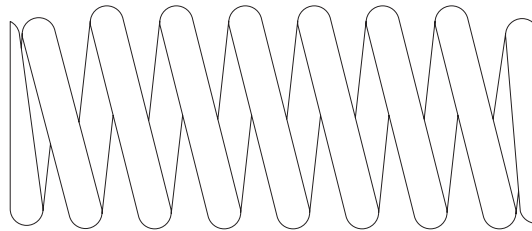
Description As a product improvement aimed at reducing assembly risk and increasing quality, Sauer-Danfoss is making the following change to series 40 fixed motors with loop flushing option (M25, M35, M44): Spring-helical compression (Old P/N 4800225) will change to spring-helical compression (New P/N 4800887). This change will be visually detectable as that the ends of the new spring will be tapered smaller allowing it to snap onto the spring guide (P/N 512257) holding the two parts together.

All parts are completely interchangeable in fit and function.

From: 4800225



To: 4800887



Models affected All series 40 fixed motors with loop flushing option (M25, M35, M44)

Serial numbers Change will go into effect starting: K-06-03-XXXXX

Part numbers affected

Old part number	New part number	Description
4800225	4800887	Spring

Parts disposition ■ Interchangeable





Products we offer:

- Bent Axis Motors
- Closed Circuit Axial Piston Pumps and Motors
- Displays
- Electrohydraulic Power Steering
- Electrohydraulics
- Hydraulic Power Steering
- Integrated Systems
- Joysticks and Control Handles
- Microcontrollers and Software
- Open Circuit Axial Piston Pumps
- Orbital Motors
- PLUS+1® GUIDE
- Proportional Valves
- Sensors
- Steering
- Transit Mixer Drives

Danfoss Power Solutions is a global manufacturer and supplier of high-quality hydraulic and electronic components. We specialize in providing state-of-the-art technology and solutions that excel in the harsh operating conditions of the mobile off-highway market. Building on our extensive applications expertise, we work closely with our customers to ensure exceptional performance for a broad range of off-highway vehicles.

We help OEMs around the world speed up system development, reduce costs and bring vehicles to market faster.

Danfoss – Your Strongest Partner in Mobile Hydraulics.

Go to www.powersolutions.danfoss.com for further product information.

Wherever off-highway vehicles are at work, so is Danfoss.

We offer expert worldwide support for our customers, ensuring the best possible solutions for outstanding performance. And with an extensive network of Global Service Partners, we also provide comprehensive global service for all of our components.

Please contact the Danfoss Power Solution representative nearest you.

Comatrol

www.comatrol.com

Schwarzmueller-Inverter

www.schwarzmueller-inverter.com

Turolla

www.turollaocg.com

Valmova

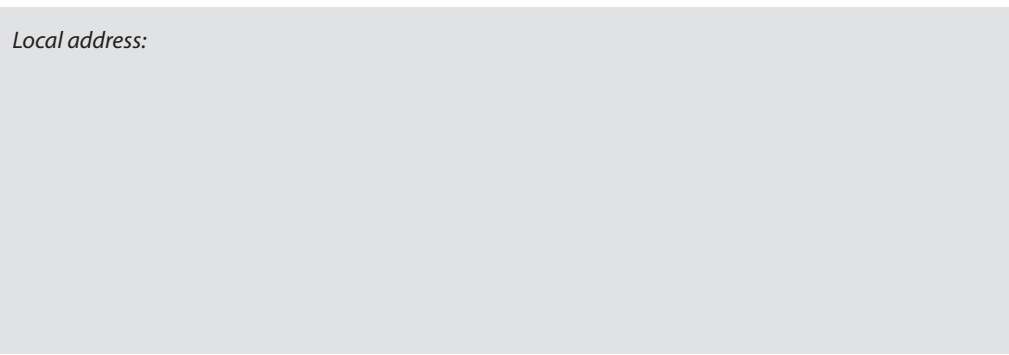
www.valmova.com

Hydro-Gear

www.hydro-gear.com

Daikin-Sauer-Danfoss

www.daikin-sauer-danfoss.com



Local address:

Danfoss Power Solutions US Company
2800 East 13th Street
Ames, IA 50010, USA
Phone: +1 515 239 6000

Danfoss Power Solutions GmbH & Co. OHG
Krokamp 35
D-24539 Neumünster, Germany
Phone: +49 4321 871 0

Danfoss Power Solutions ApS
Nordborgvej 81
DK-6430 Nordborg, Denmark
Phone: +45 7488 4444

Danfoss Power Solutions
Building #22, No. 1000 Jin Hai Rd
Jin Qiao, Pudong New District
Shanghai, China 201206
Phone: +86 21 3418 5200

Danfoss can accept no responsibility for possible errors in catalogues, brochures and other printed material. Danfoss reserves the right to alter its products without notice. This also applies to products already on order provided that such alterations can be made without subsequential changes being necessary in specifications already agreed. All trademarks in this material are property of the respective companies. Danfoss and the Danfoss logotype are trademarks of Danfoss A/S. All rights reserved.